

OUTRIDE
THE
ORDINARY

ASSEMBLY GUIDE

BUZZRAW CLASSIC



BIKE ASSEMBLY

@coastcycles
<http://coastcycles.com>

01. CONTENT PAGE

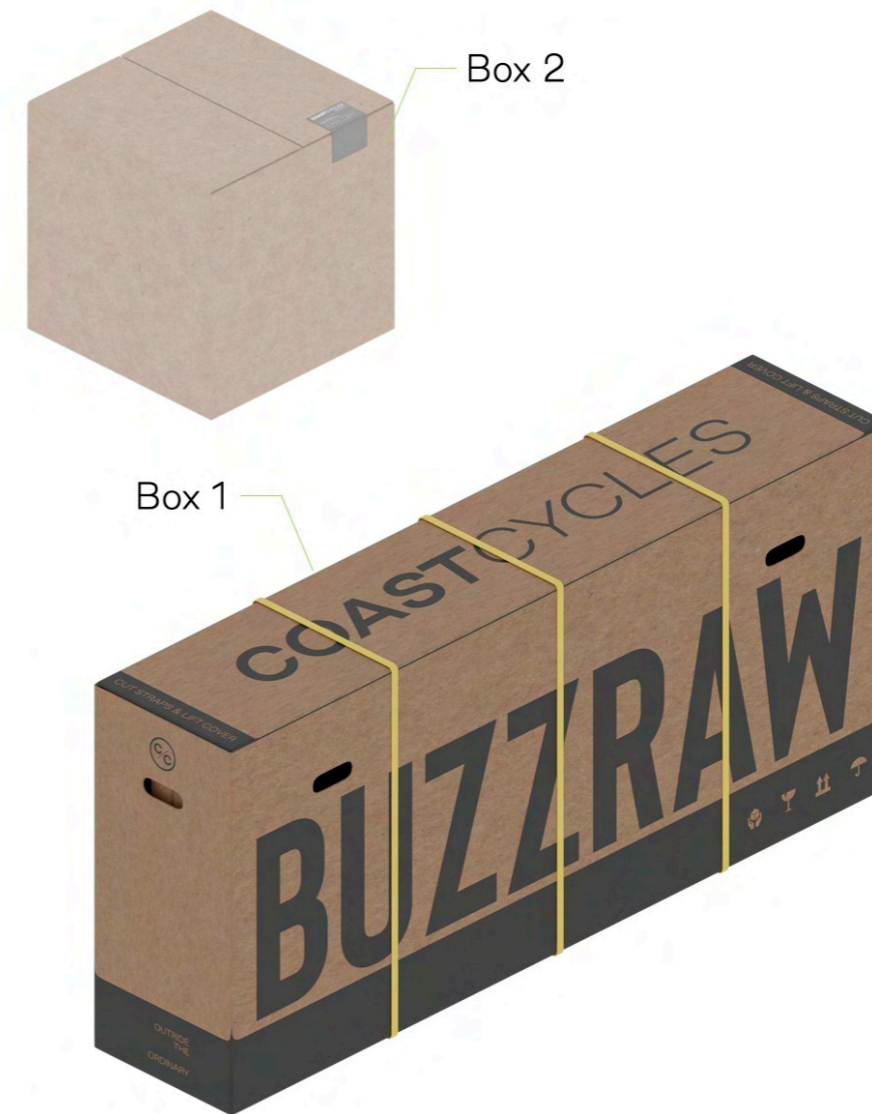
UNBOXING	2 - 10
HANDLEBAR ASSEMBLY	11 - 16
SADDLE ASSEMBLY	17 - 20
TIRE ASSEMBLY	21 - 26
FRONT WHEEL ASSEMBLY	27 - 30
FRONT CALIPER ASSEMBLY	31 - 35
REAR WHEEL ASSEMBLY	36 - 41
DERAILLEUR ASSEMBLY	42 - 45
CHAIN ASSEMBLY	46 - 53
PEDAL ASSEMBLY	54 - 59

BUZZRAW CLASSIC

STEP 1 | UNBOXING

Tool Required

Scissors



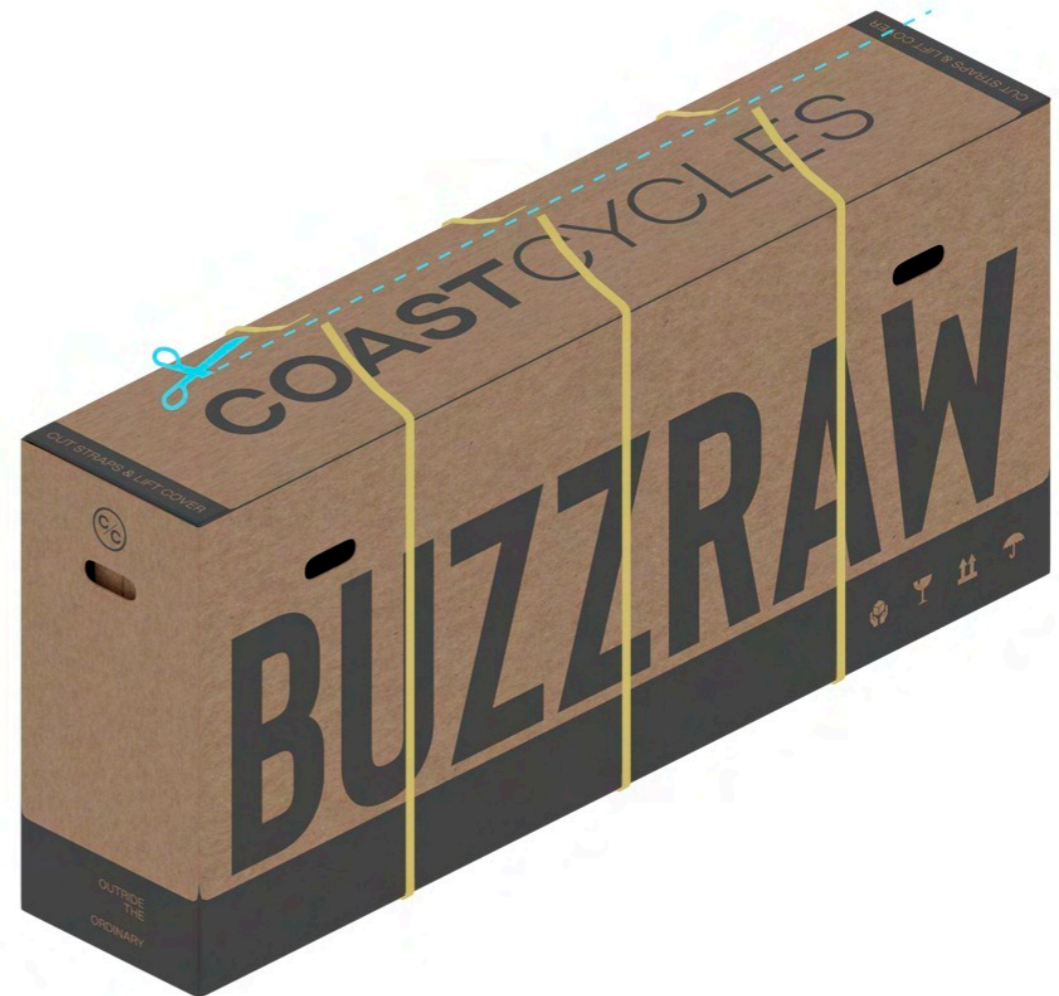
You will receive your bike in two boxes.

BUZZRAW CLASSIC

STEP 1 | UNBOXING

Tool Required

Scissors



Cut the straps.

BUZZRAW CLASSIC

STEP 1 | UNBOXING

Tool Required

Scissors



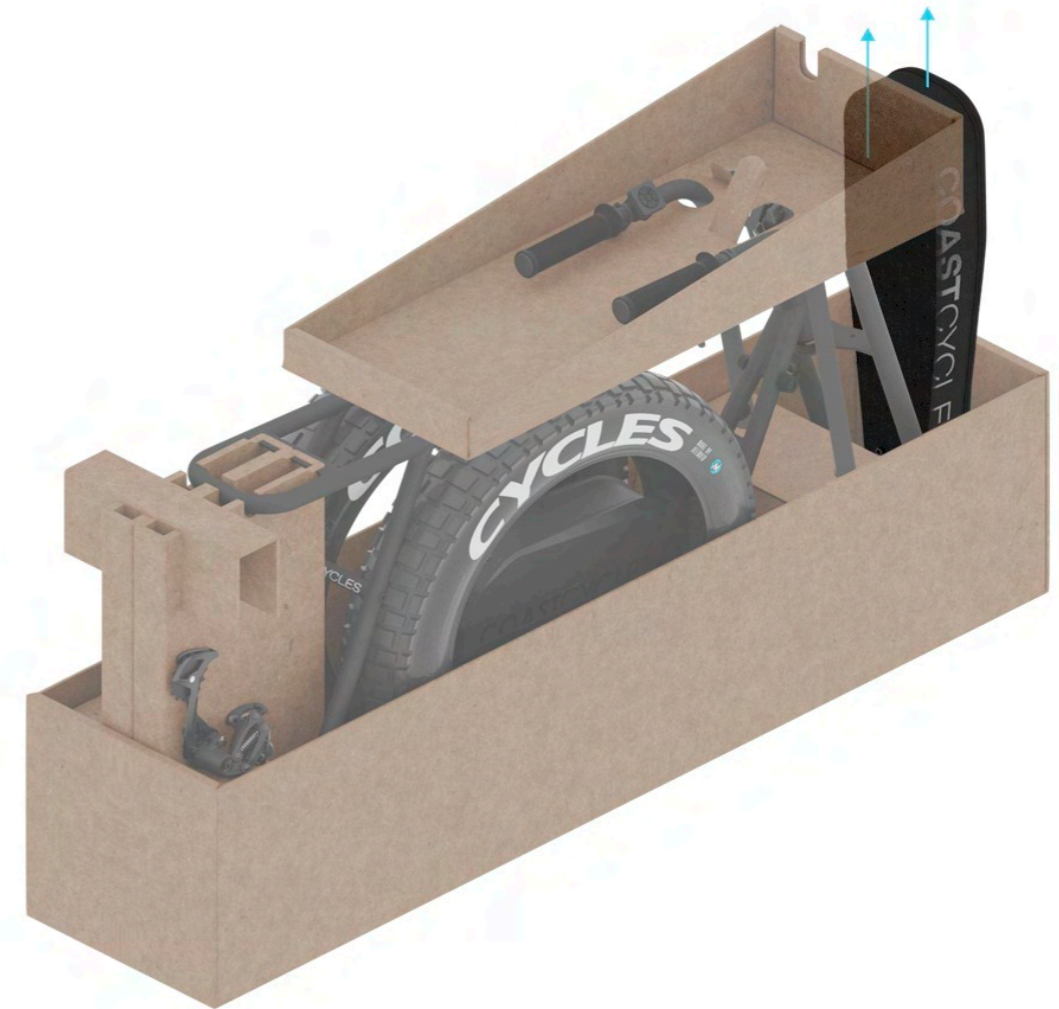
Lift the box up.

BUZZRAW CLASSIC

STEP 1 | UNBOXING

Tool Required

Scissors



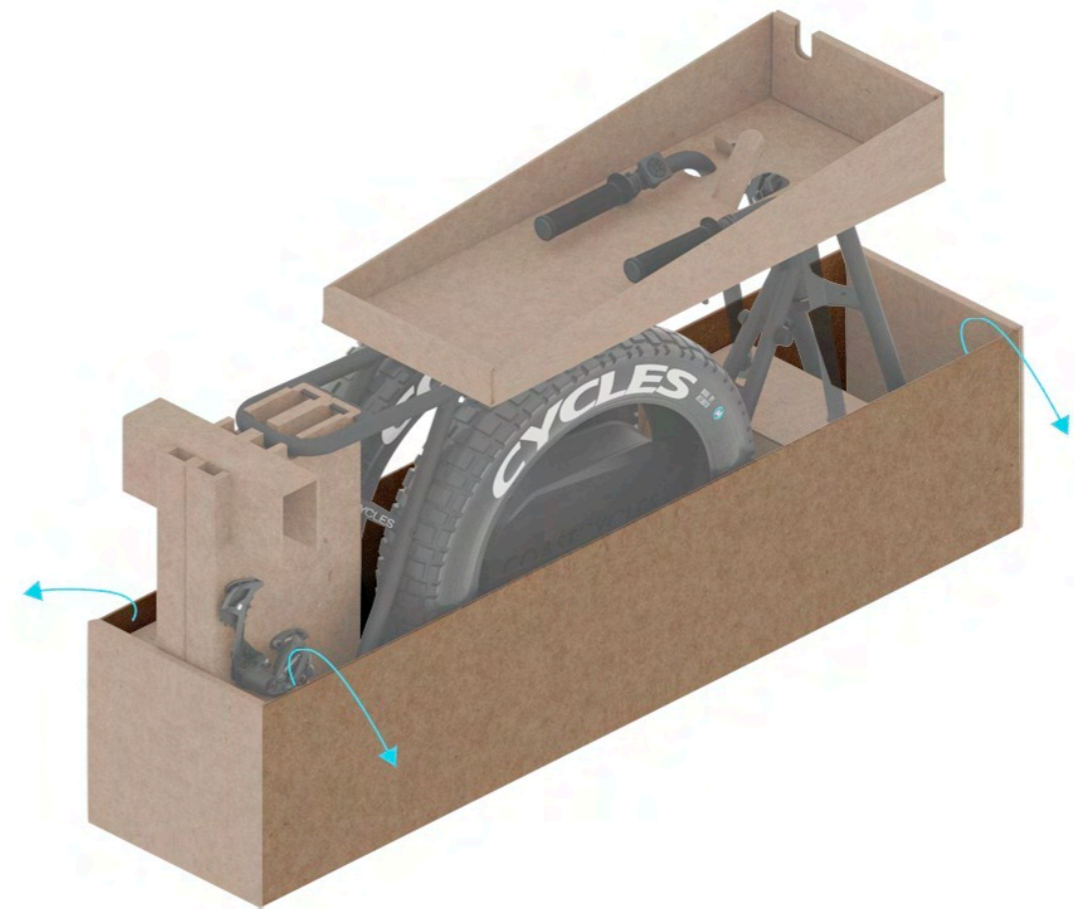
Remove the saddle from the box.

BUZZRAW CLASSIC

STEP 1 | UNBOXING

Tool Required

Scissors



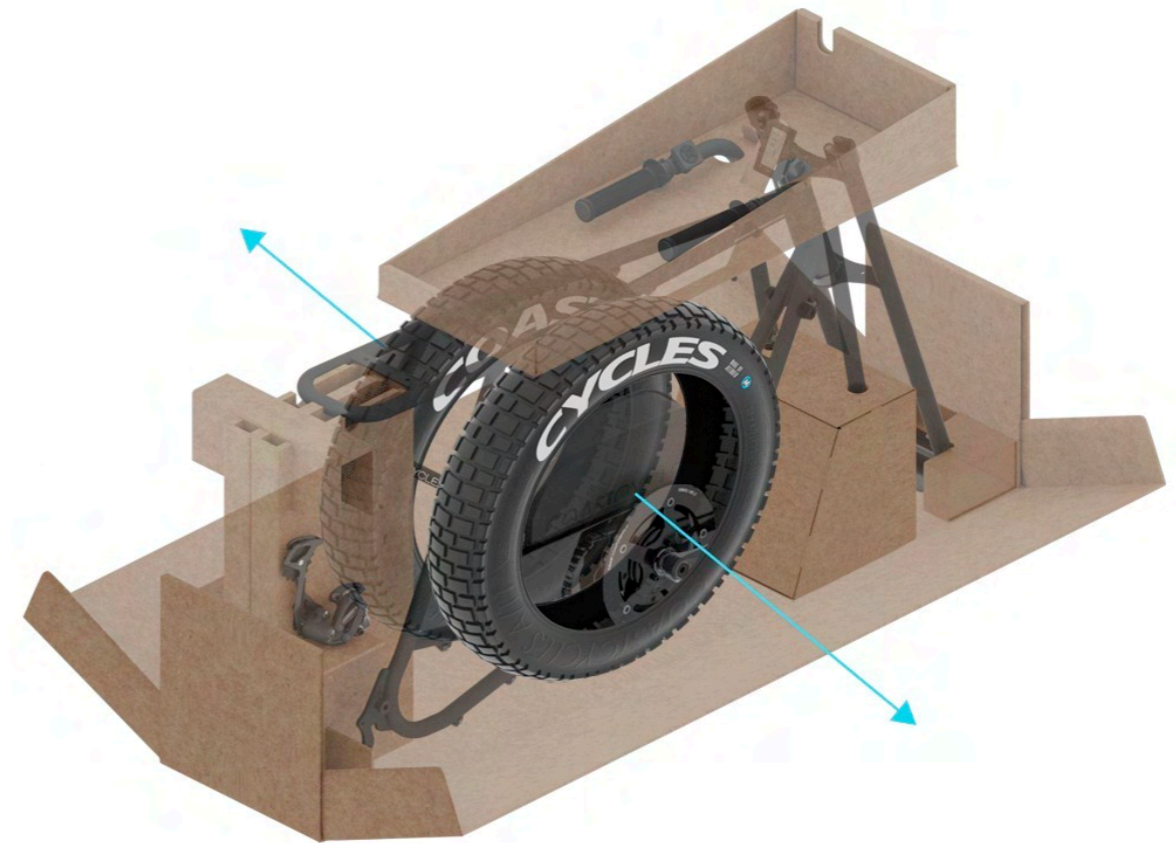
Unfold the sides of the box.

BUZZRAW CLASSIC

STEP 1 | UNBOXING

Tool Required

Scissors



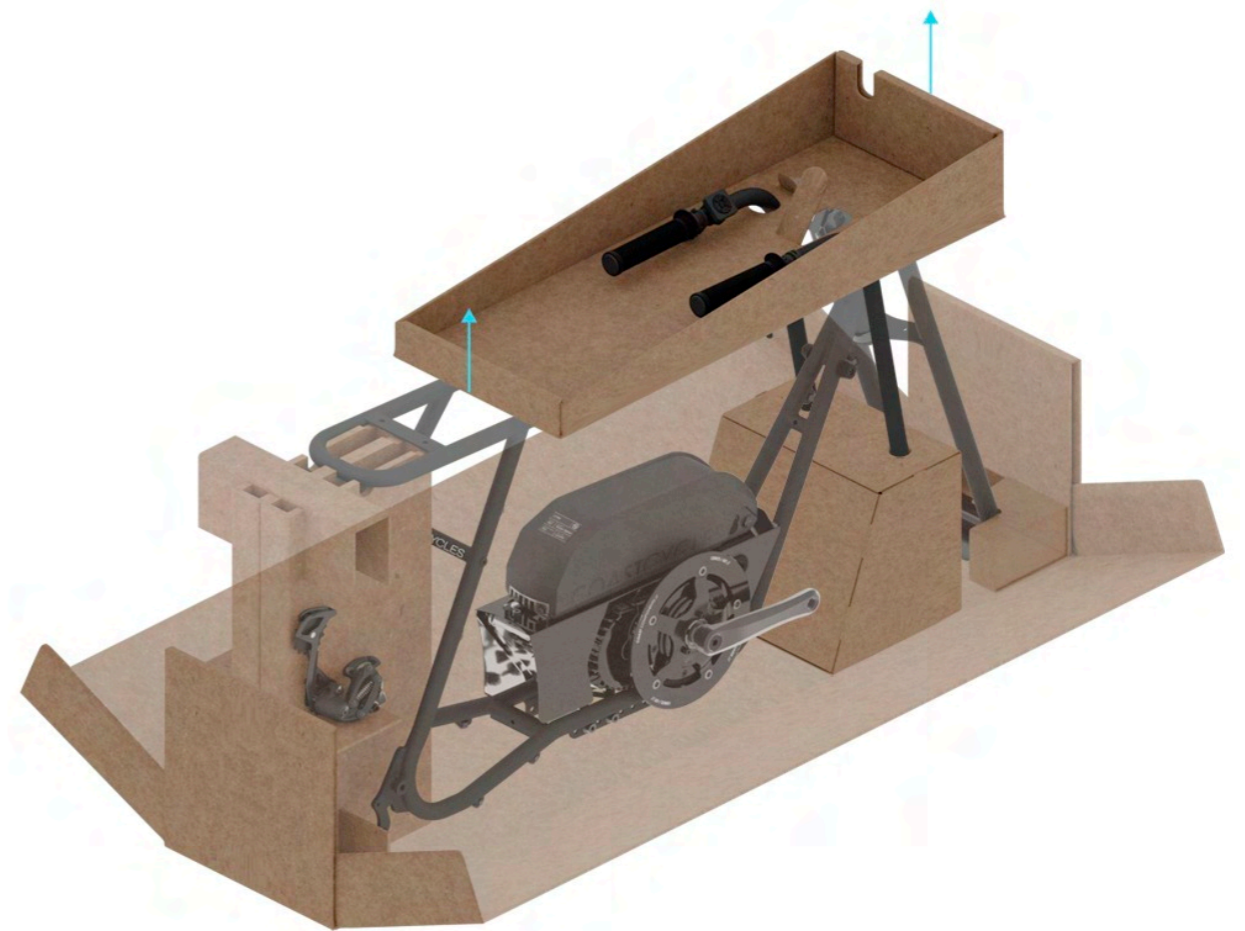
Remove the tires.

BUZZRAW CLASSIC

STEP 1 | UNBOXING

Tool Required

Scissors



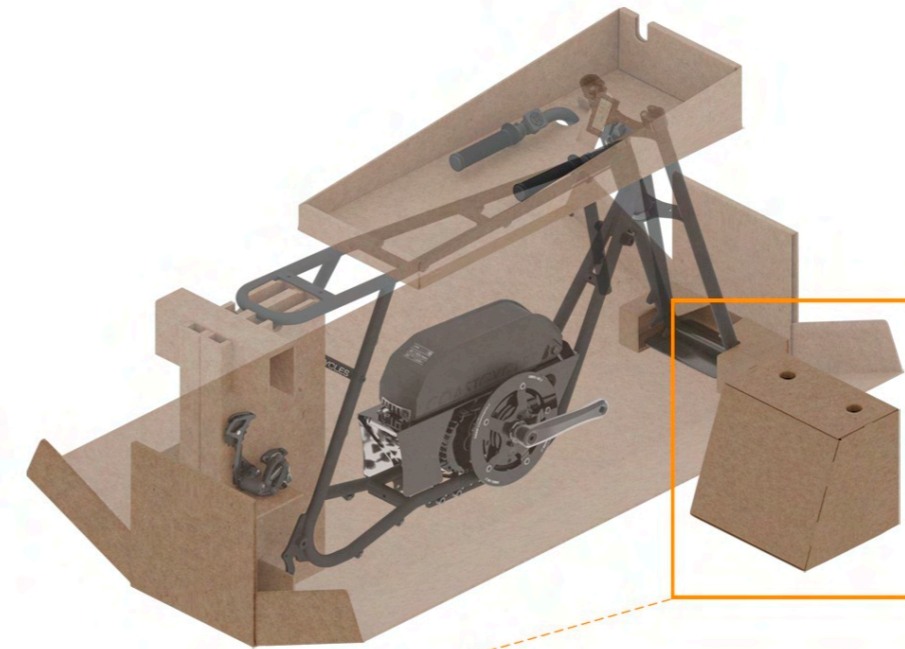
Lift the top tray to remove the accessory box.

BUZZRAW CLASSIC

STEP 1 | UNBOXING

Tool Required

Scissors



Accessory box contents.



1 x Chain with Quick Links



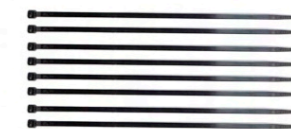
1 Pair Bike Pedal



1 x Toolkit



1 x Reflector Kit



Cable Ties

BUZZRAW CLASSIC

STEP 1 | UNBOXING

Tool Required

Scissors

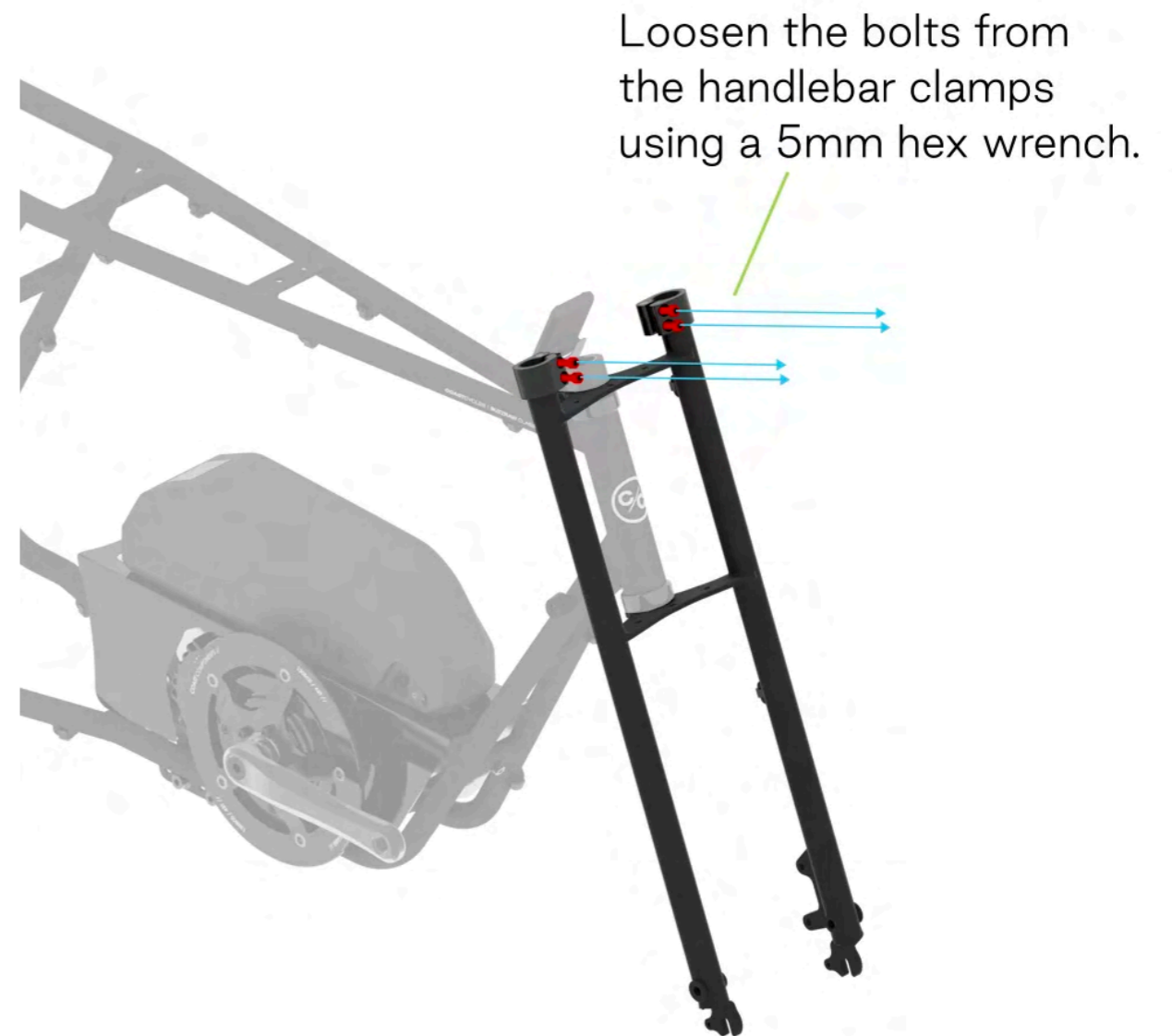


BUZZRAW CLASSIC

STEP 2 | HANDLEBAR ASSEMBLY

Tool Required

5mm Hex Wrench | 

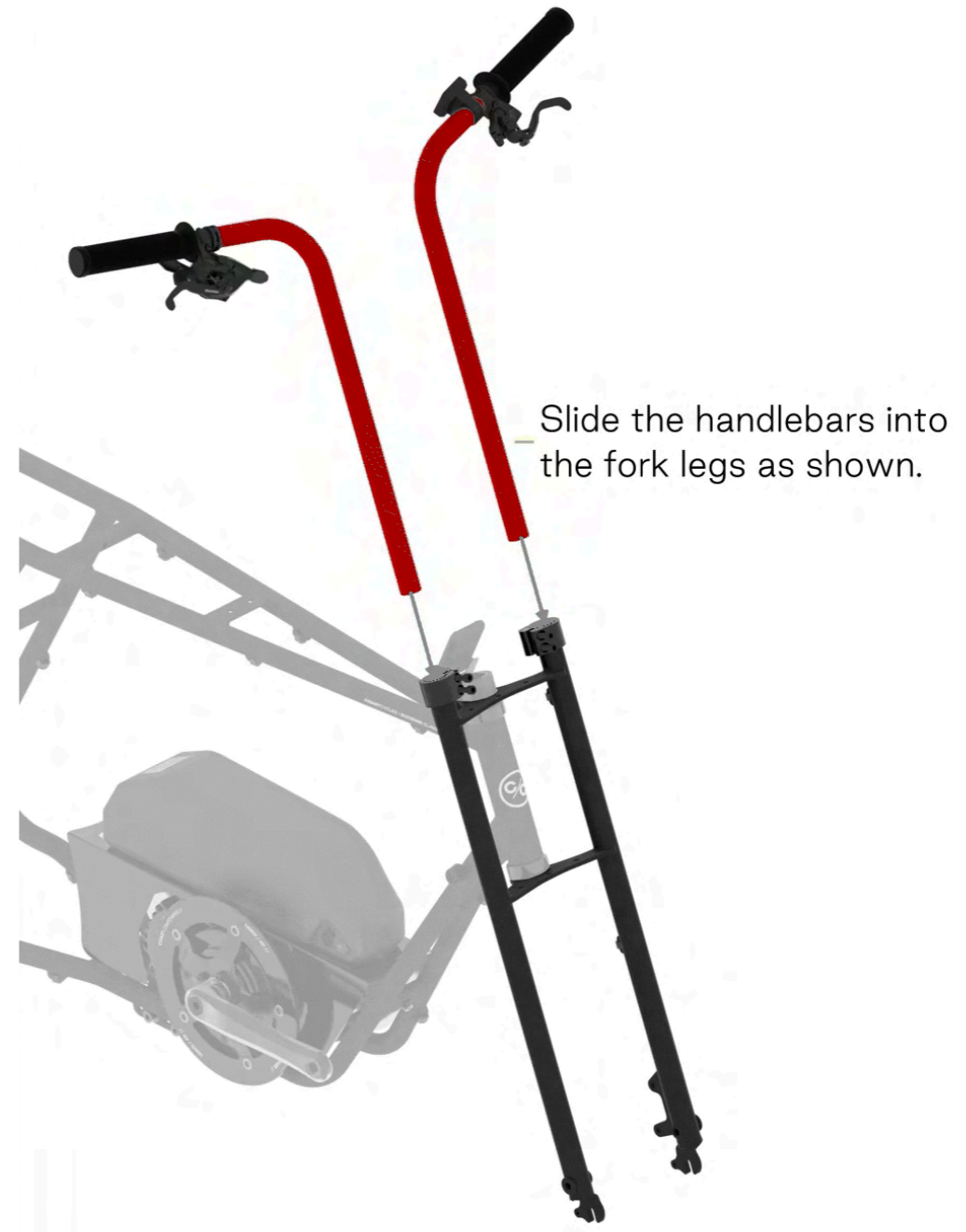


BUZZRAW CLASSIC

STEP 2 | HANDLEBAR ASSEMBLY

Tool Required

5mm Hex Wrench | 

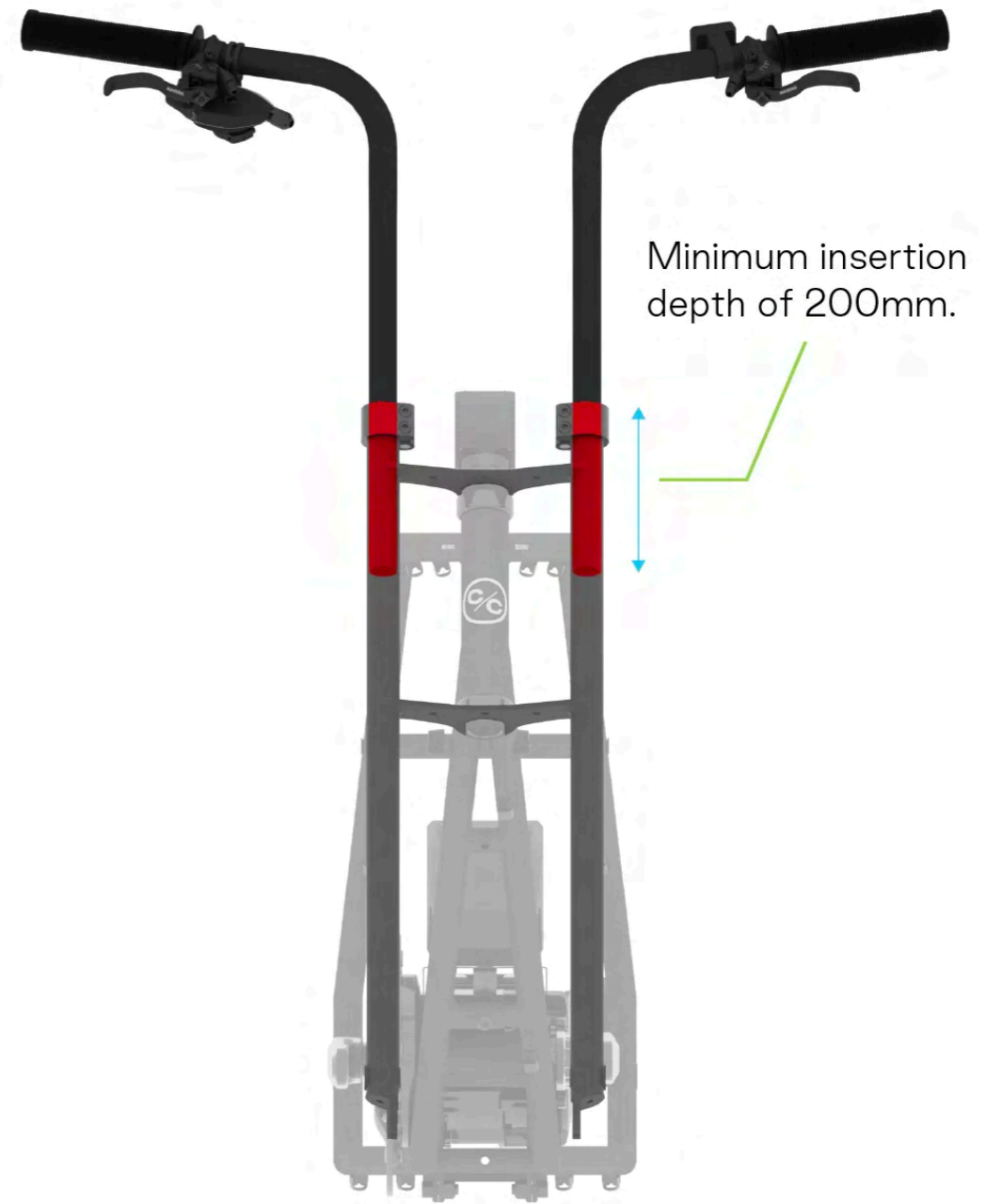


BUZZRAW CLASSIC

STEP 2 | HANDLEBAR ASSEMBLY

Tool Required

5mm Hex Wrench | 

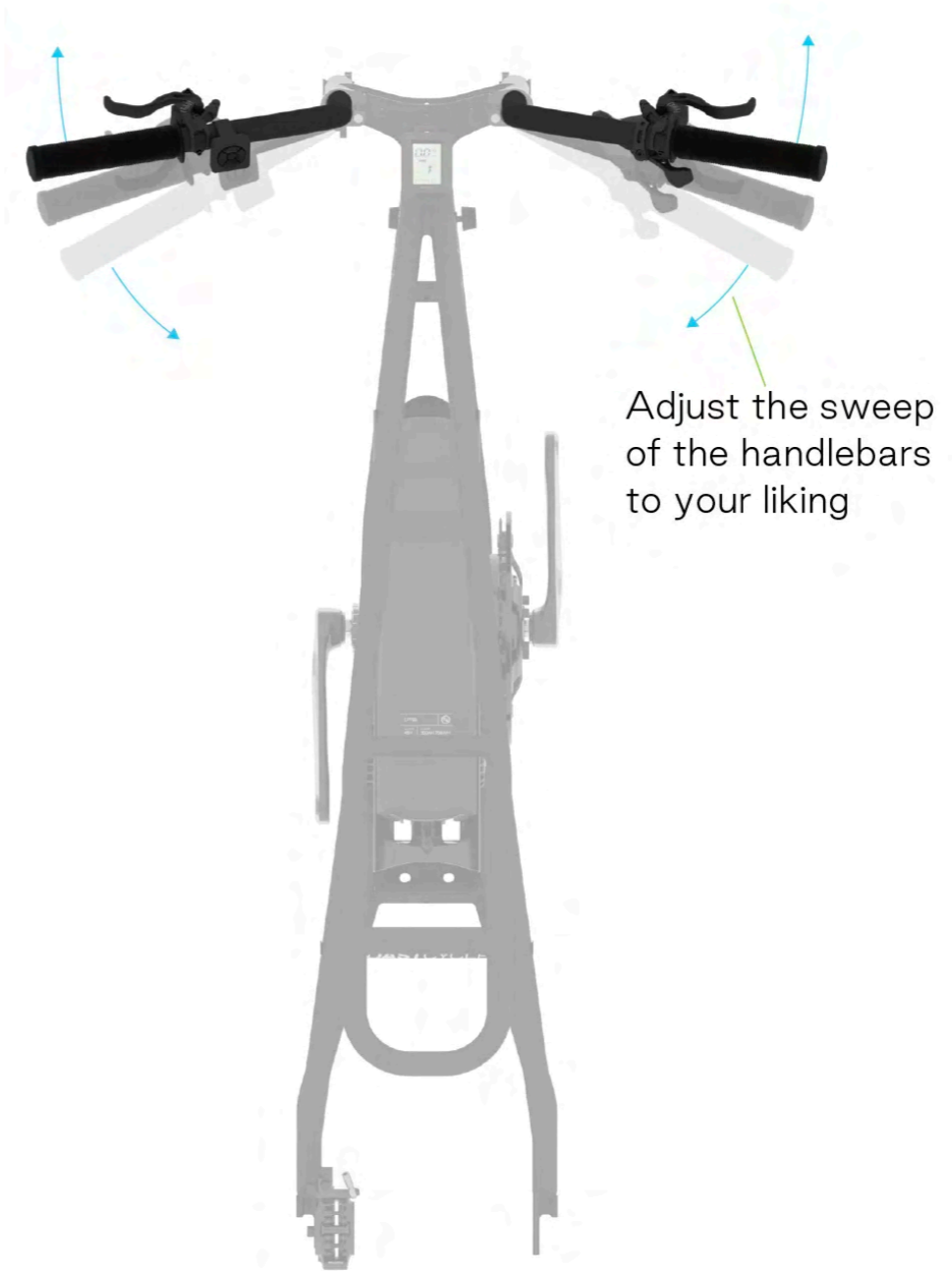


BUZZRAW CLASSIC

STEP 2 | HANDLEBAR ASSEMBLY

Tool Required

5mm Hex Wrench | 

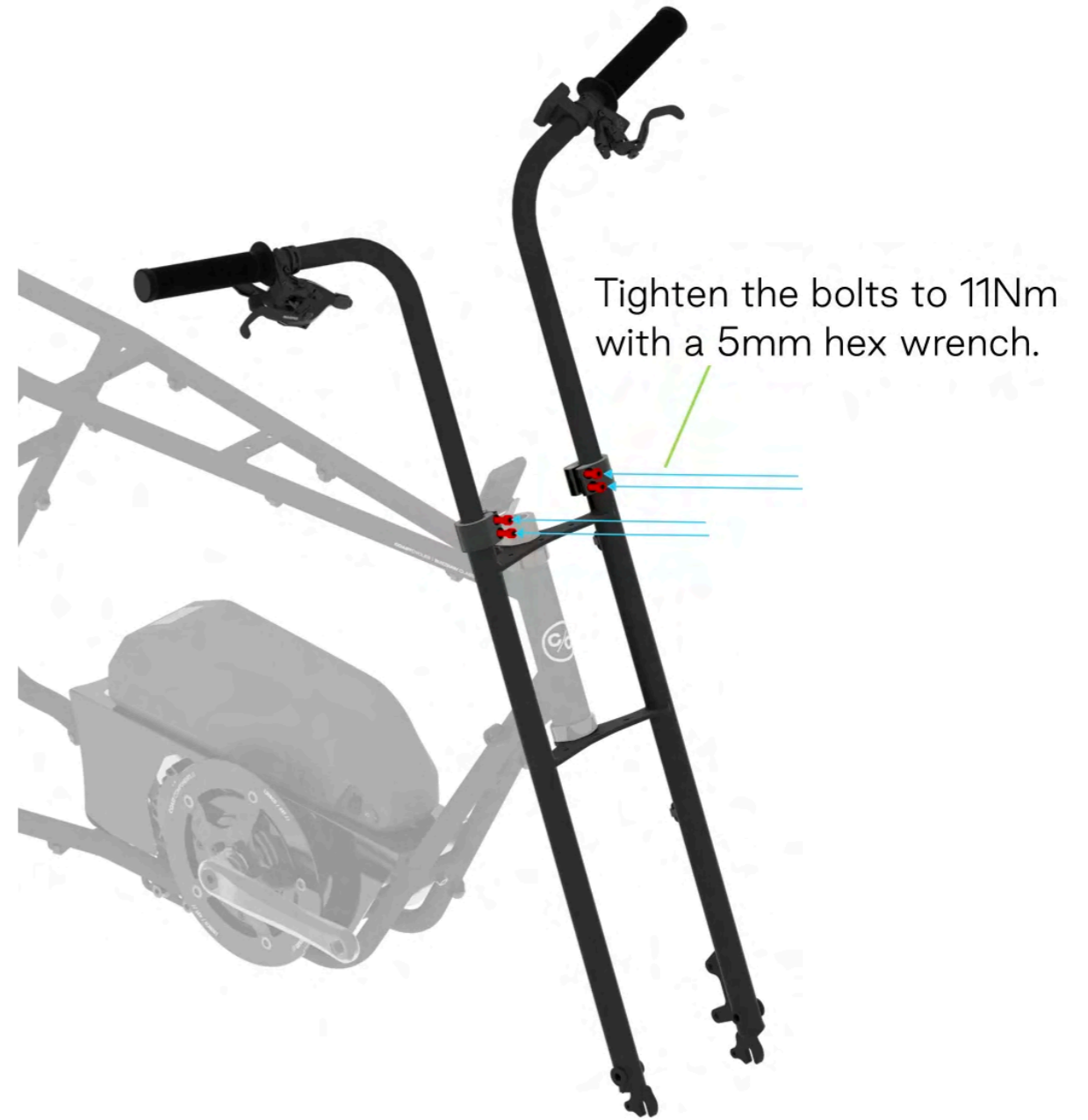


BUZZRAW CLASSIC

STEP 2 | HANDLEBAR ASSEMBLY

Tool Required

5mm Hex Wrench | 



BUZZRAW CLASSIC

STEP 2 | HANDLEBAR ASSEMBLY

Tool Required

5mm Hex Wrench | 

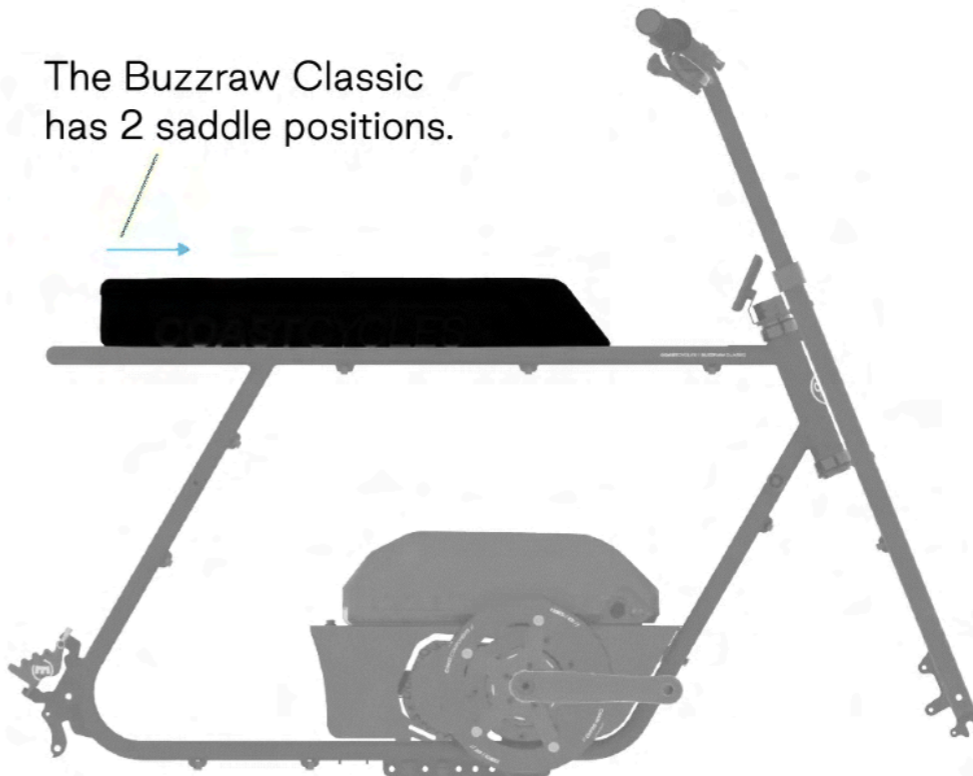
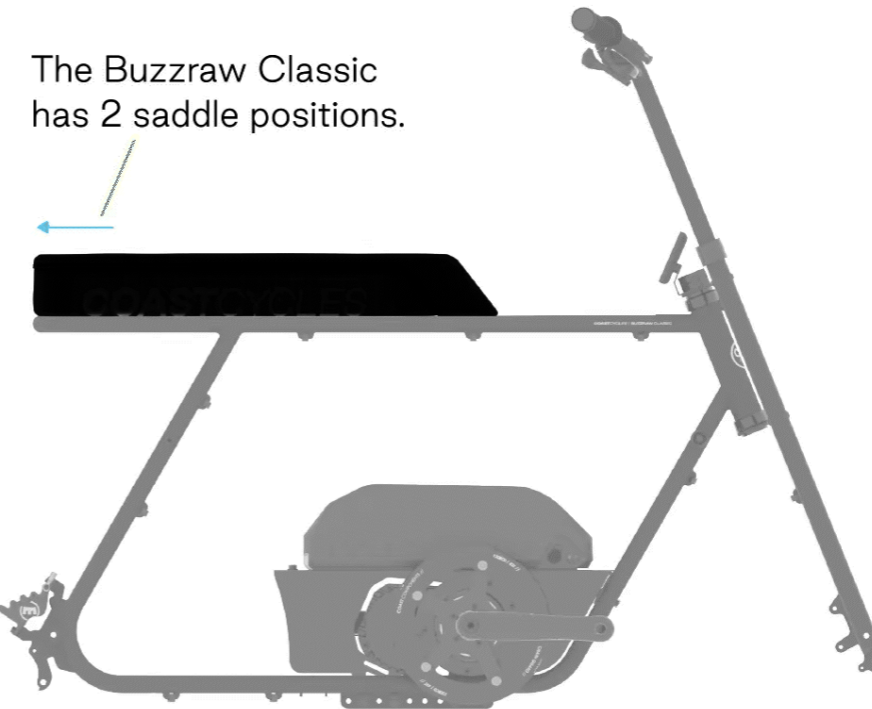


BUZZRAW CLASSIC

STEP 3 | SADDLE ASSEMBLY

Tool Required

5mm Hex Wrench



BUZZRAW CLASSIC

STEP 3 | SADDLE ASSEMBLY

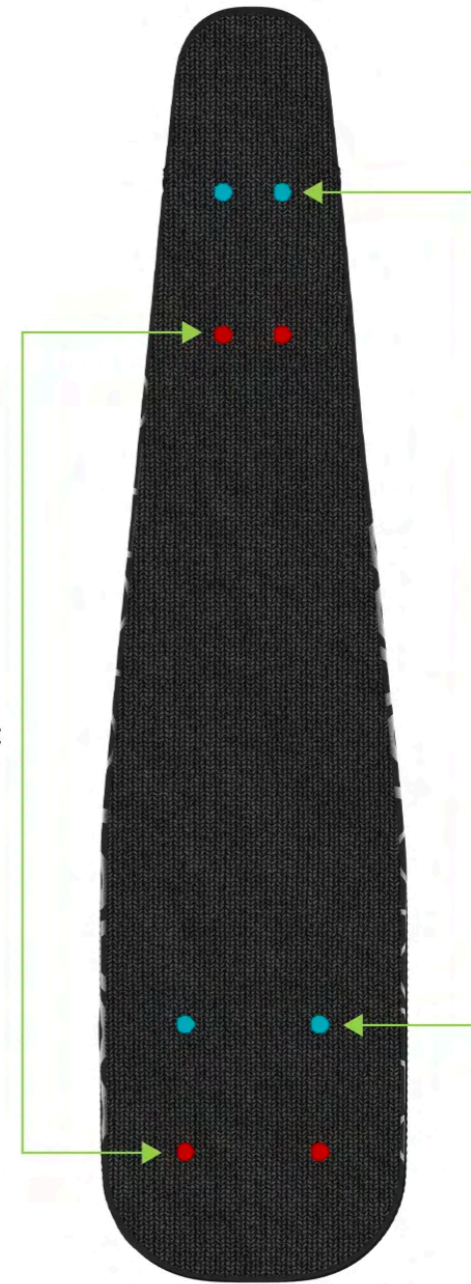
Tool Required

5mm Hex Wrench



Forward Position:
<1.75m Height

Rear Position:
>1.75m Height



BUZZRAW CLASSIC

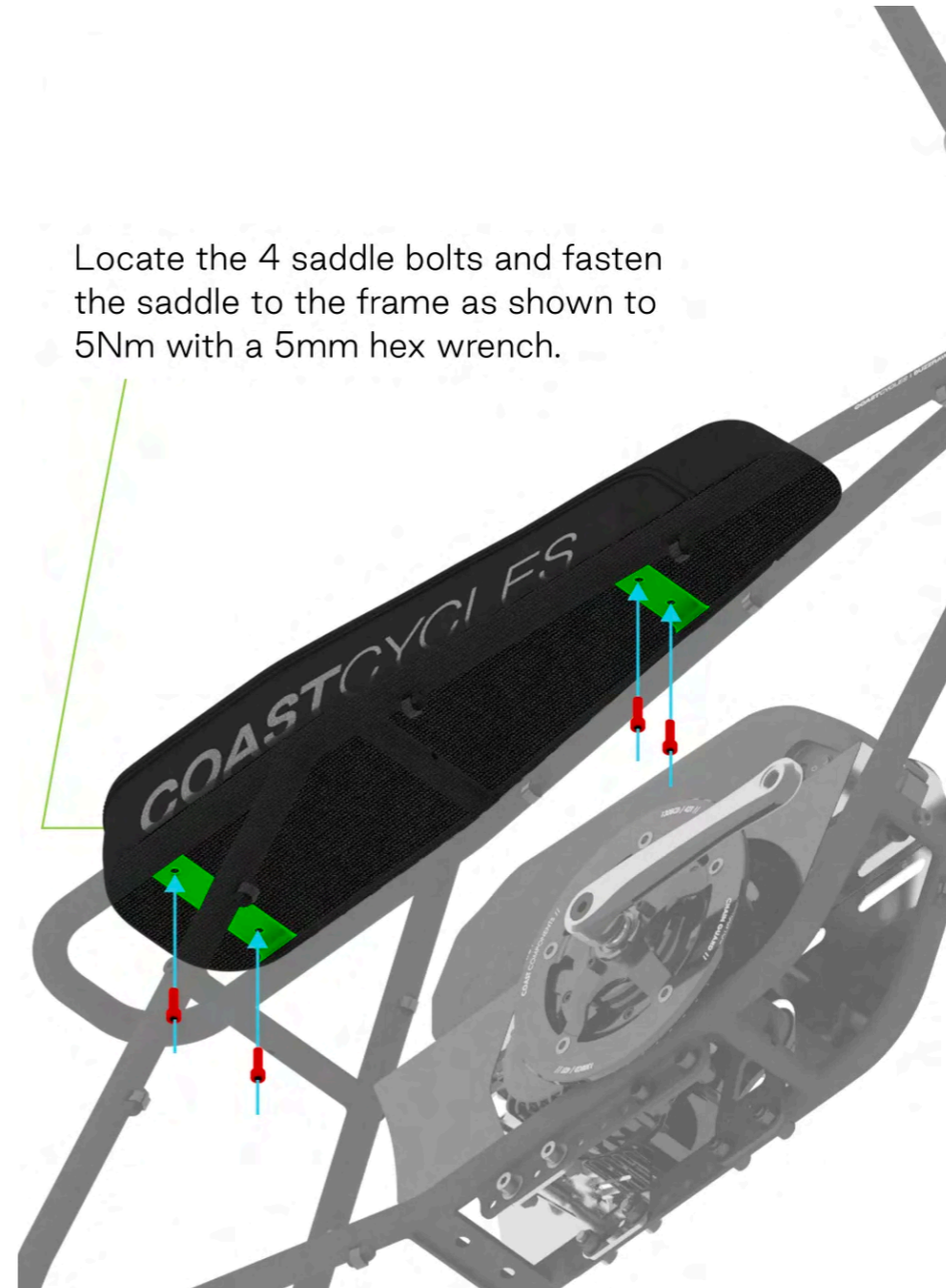
STEP 3 | SADDLE ASSEMBLY

Tool Required

5mm Hex Wrench



Locate the 4 saddle bolts and fasten the saddle to the frame as shown to 5Nm with a 5mm hex wrench.



BUZZRAW CLASSIC

STEP 3 | SADDLE ASSEMBLY

Tool Required

5mm Hex Wrench



BUZZRAW CLASSIC

STEP 4 | TIRE ASSEMBLY

Package Contents



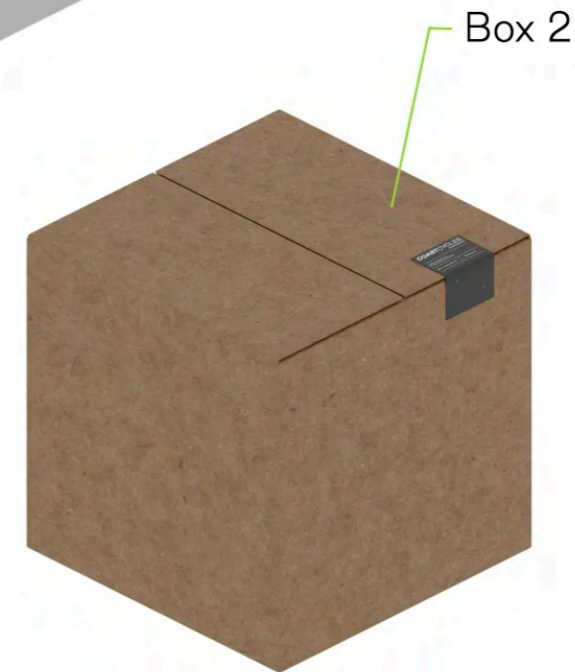
2 X AT1 Tires



1 X Wheelset



2 X Tubes



BUZZRAW CLASSIC

STEP 4 | TIRE ASSEMBLY

Package Contents



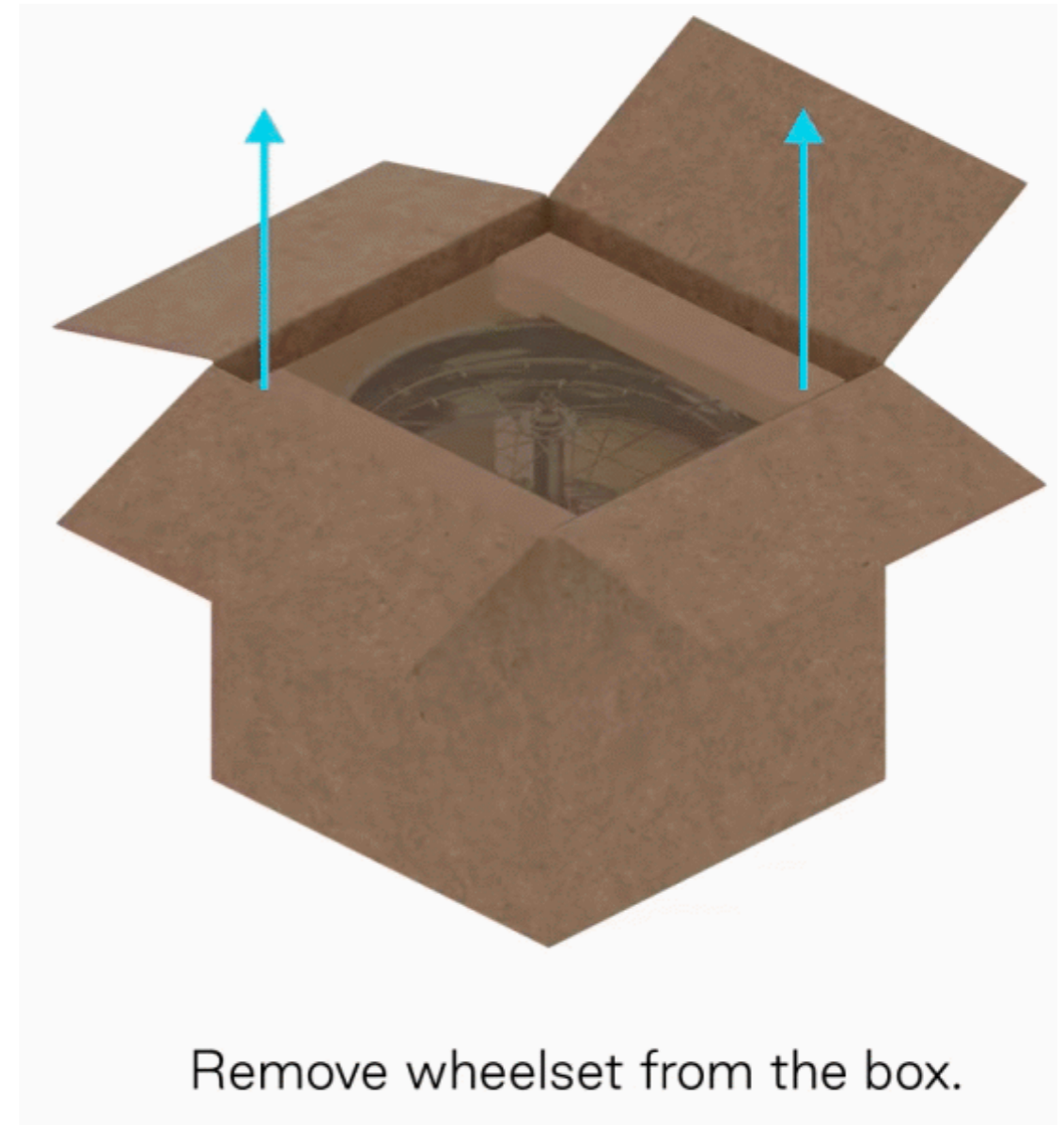
2 X AT1 Tires



1 X Wheelset



2 X Tubes



Remove wheelset from the box.

BUZZRAW CLASSIC

STEP 4 | TIRE ASSEMBLY

Package Contents



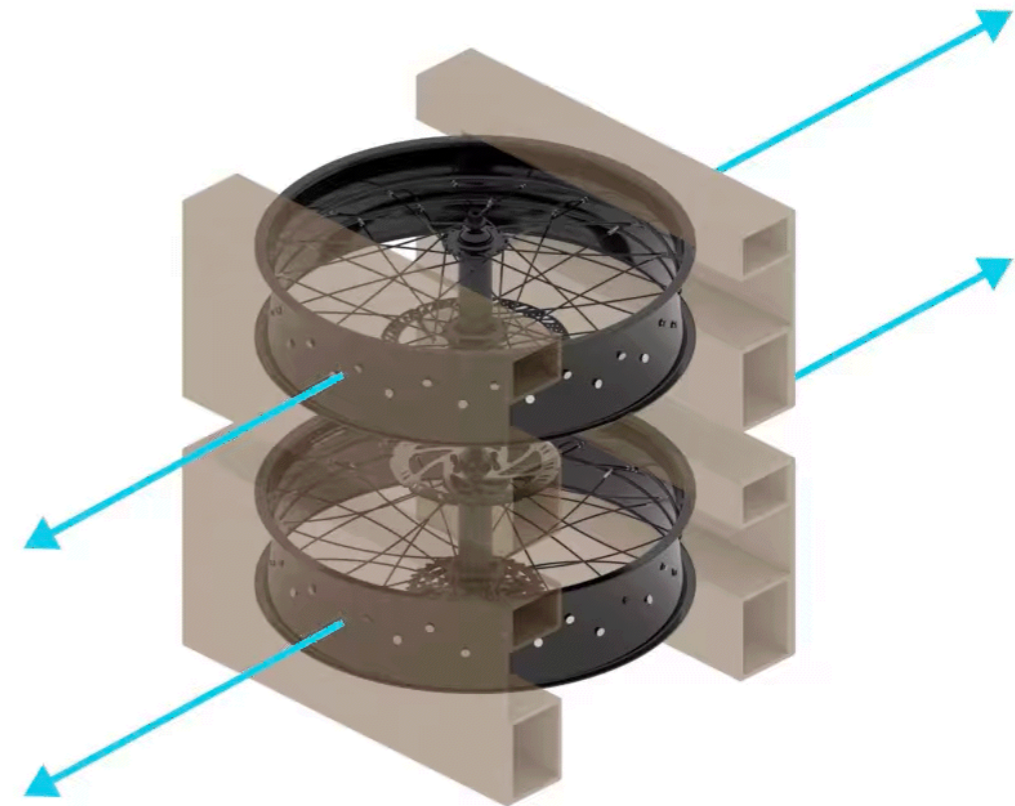
2 X AT1 Tires



1 X Wheelset



2 X Tubes



Remove supports from the wheelset.

BUZZRAW CLASSIC

STEP 4 | TIRE ASSEMBLY

Package Contents



2 X AT1 Tires



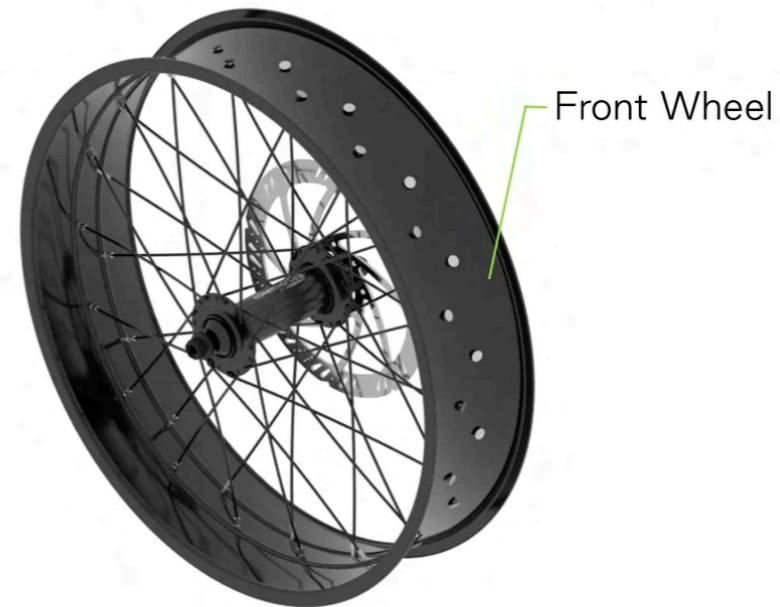
1 X Wheelset



2 X Tubes



Rear Wheel



Front Wheel

BUZZRAW CLASSIC

STEP 4 | TIRE ASSEMBLY

Package Contents



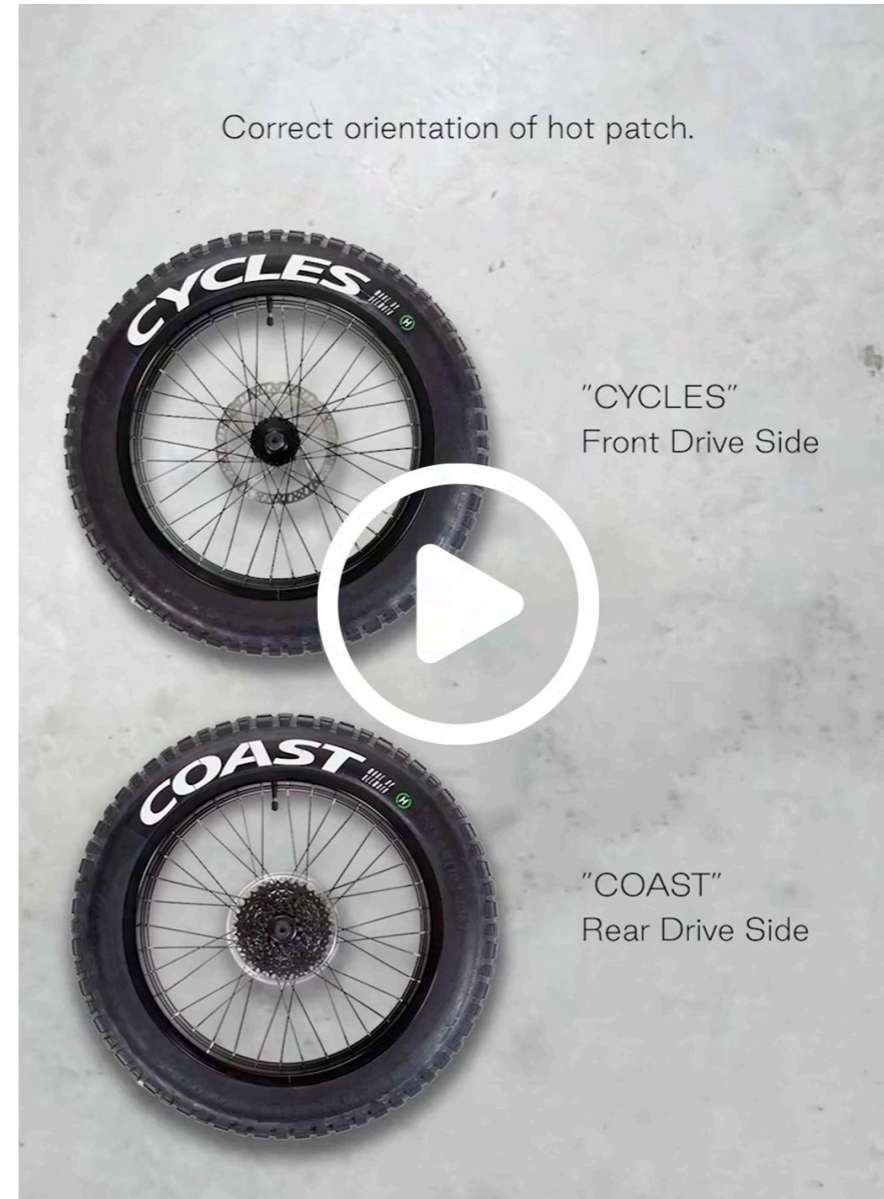
2 X AT1 Tires



1 X Wheelset



2 X Tubes



[Click Here For Tire Installation Video](#)

BUZZRAW CLASSIC

STEP 4 | TIRE ASSEMBLY

Package Contents



2 X AT1 Tires



1 X Wheelset



2 X Tubes

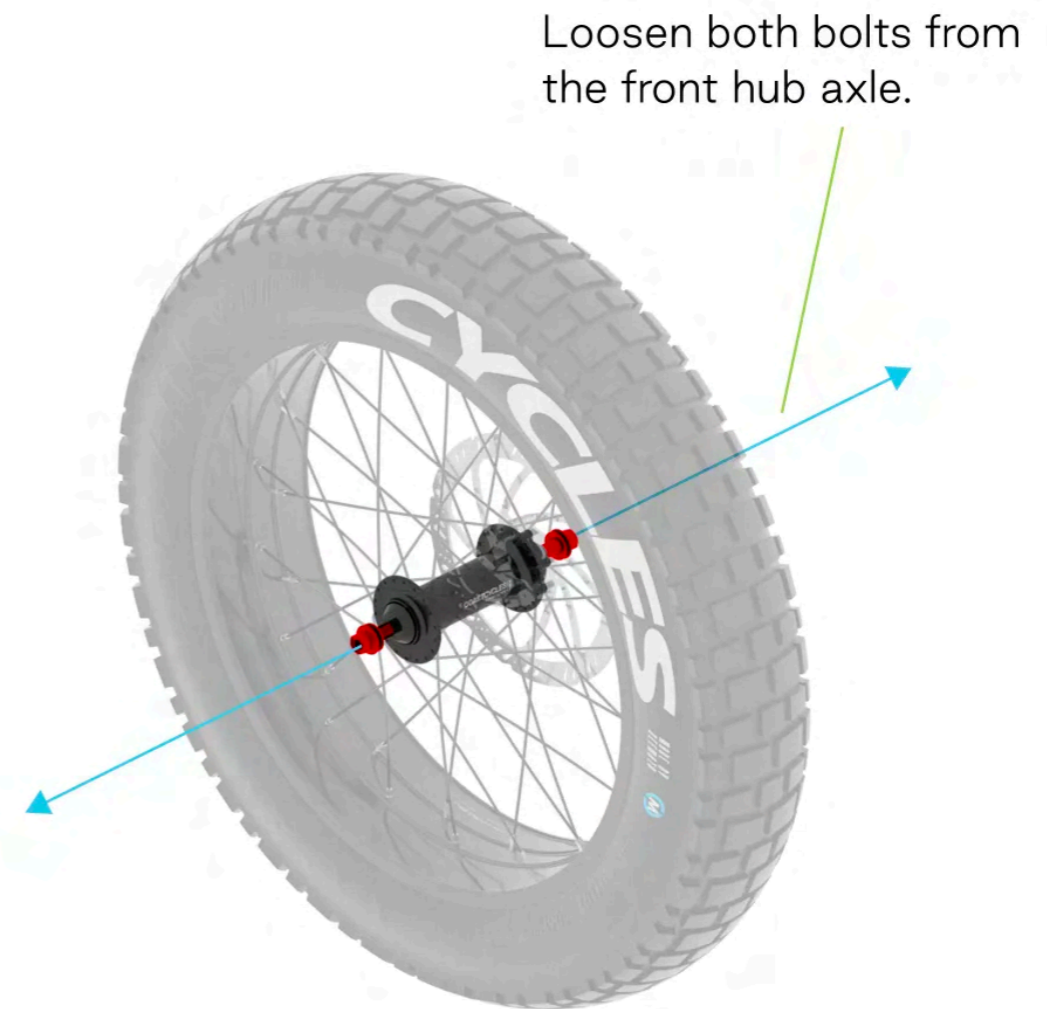


BUZZRAW CLASSIC

STEP 5 | FRONT WHEEL ASSEMBLY

Tool Required

8mm Hex Wrench | 



BUZZRAW CLASSIC

STEP 5 | FRONT WHEEL ASSEMBLY

Tool Required

8mm Hex Wrench | 

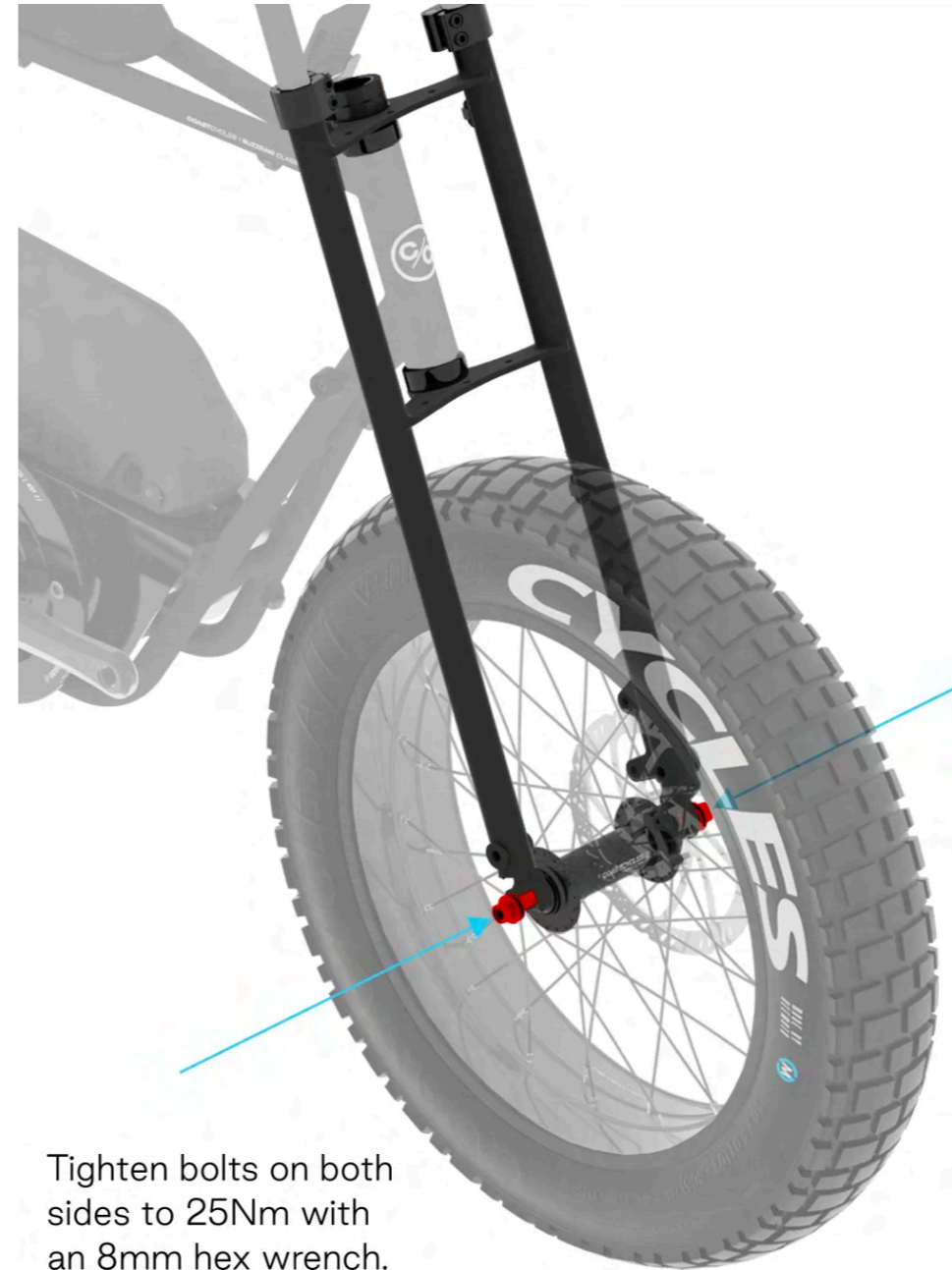


BUZZRAW CLASSIC

STEP 5 | FRONT WHEEL ASSEMBLY

Tool Required

8mm Hex Wrench



Tighten bolts on both sides to 25Nm with an 8mm hex wrench.

BUZZRAW CLASSIC

STEP 5 | FRONT WHEEL ASSEMBLY

Tool Required

8mm Hex Wrench



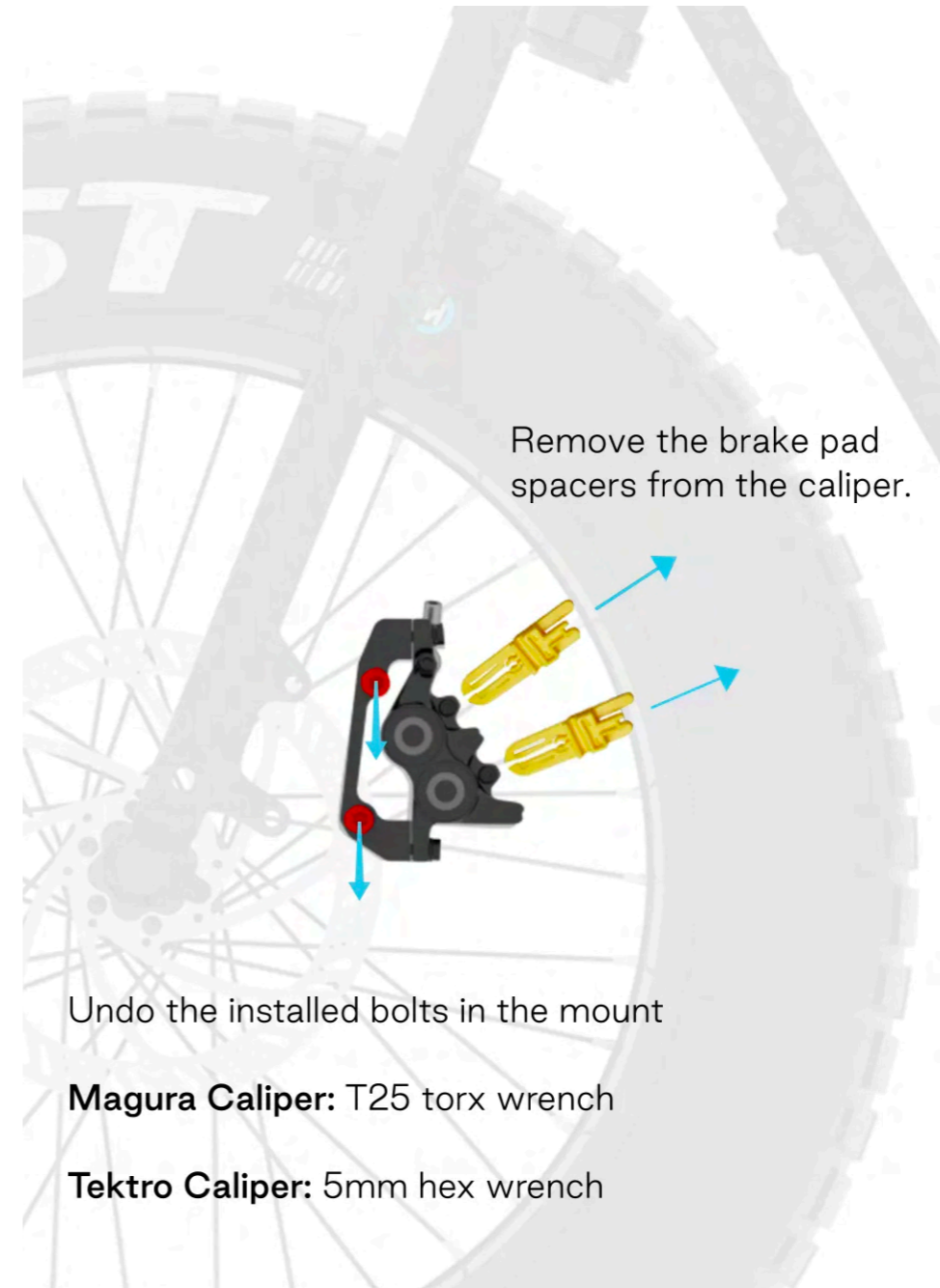
BUZZRAW CLASSIC

STEP 6 | FRONT CALIPER ASSEMBLY

Tools Required

Magura | T25 Torx Wrench | 

Tektro | 5mm Hex Wrench | 



BUZZRAW CLASSIC

STEP 6 | FRONT CALIPER ASSEMBLY

Tools Required

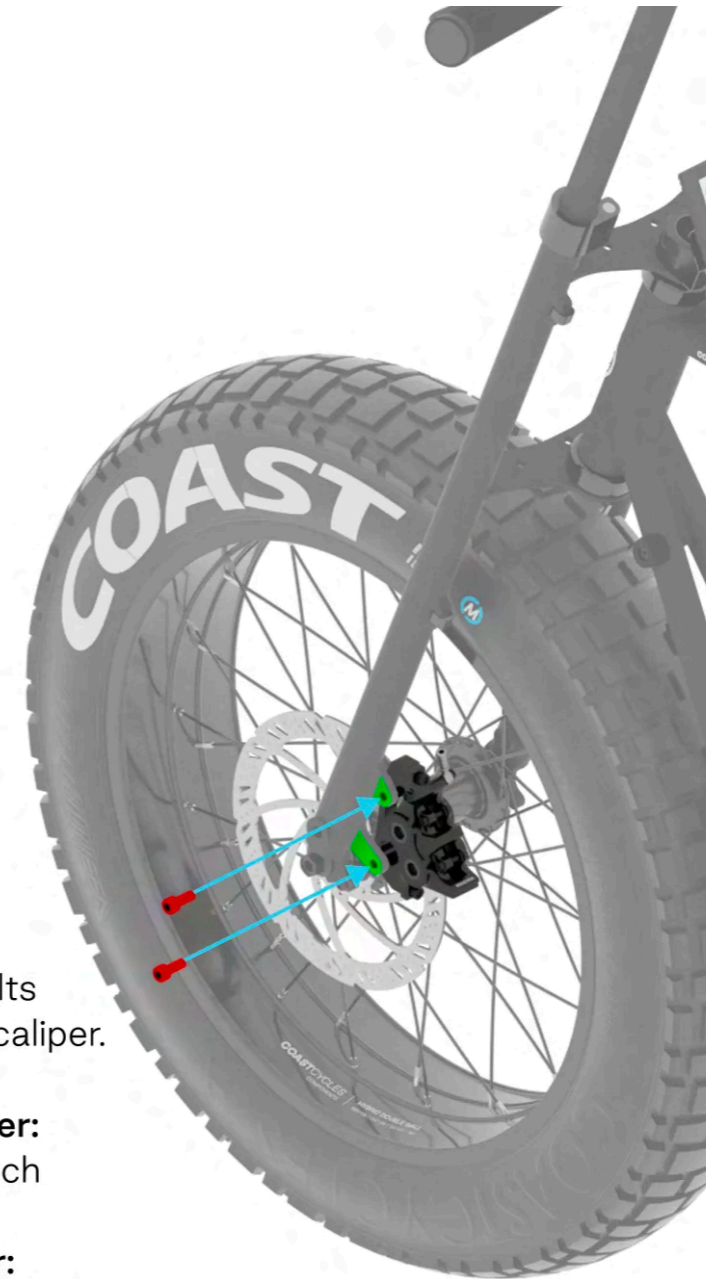
Magura | T25 Torx Wrench | 

Tektro | 5mm Hex Wrench | 

Secure the bolts into the front caliper.

Magura Caliper:
T25 torx wrench

Tektro Caliper:
5mm hex wrench



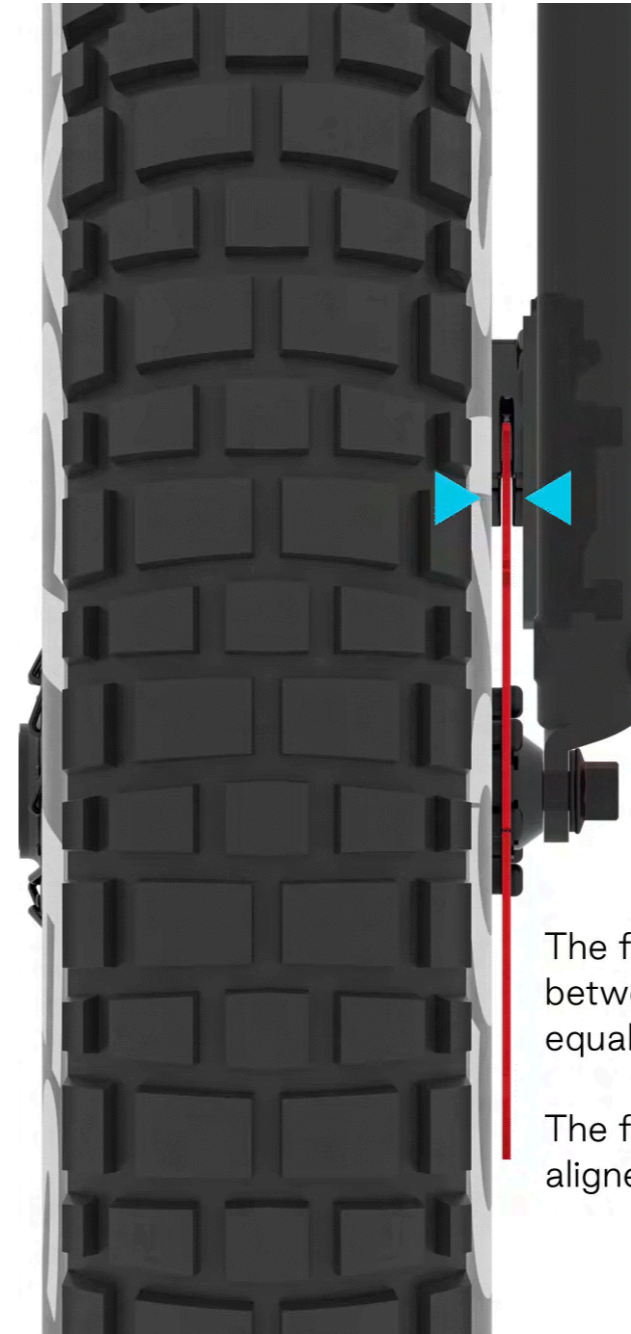
BUZZRAW CLASSIC

STEP 6 | FRONT CALIPER ASSEMBLY

Tools Required

Magura | T25 Torx Wrench | 

Tektro | 5mm Hex Wrench | 



The front disc should sit between brake pads with equal gaps on each side.

The front caliper has been aligned before shipping.

BUZZRAW CLASSIC

STEP 6 | FRONT CALIPER ASSEMBLY

Tools Required

Magura | T25 Torx Wrench | 

Tektro | 5mm Hex Wrench | 



Tighten the bolts

Magura Caliper:
6Nm, T25 torx wrench

Tektro Caliper:
9Nm, 5mm hex wrench

BUZZRAW CLASSIC

STEP 6 | FRONT CALIPER ASSEMBLY

Tools Required

Magura	T25 Torx Wrench		✱
Tektro	5mm Hex Wrench		⬡

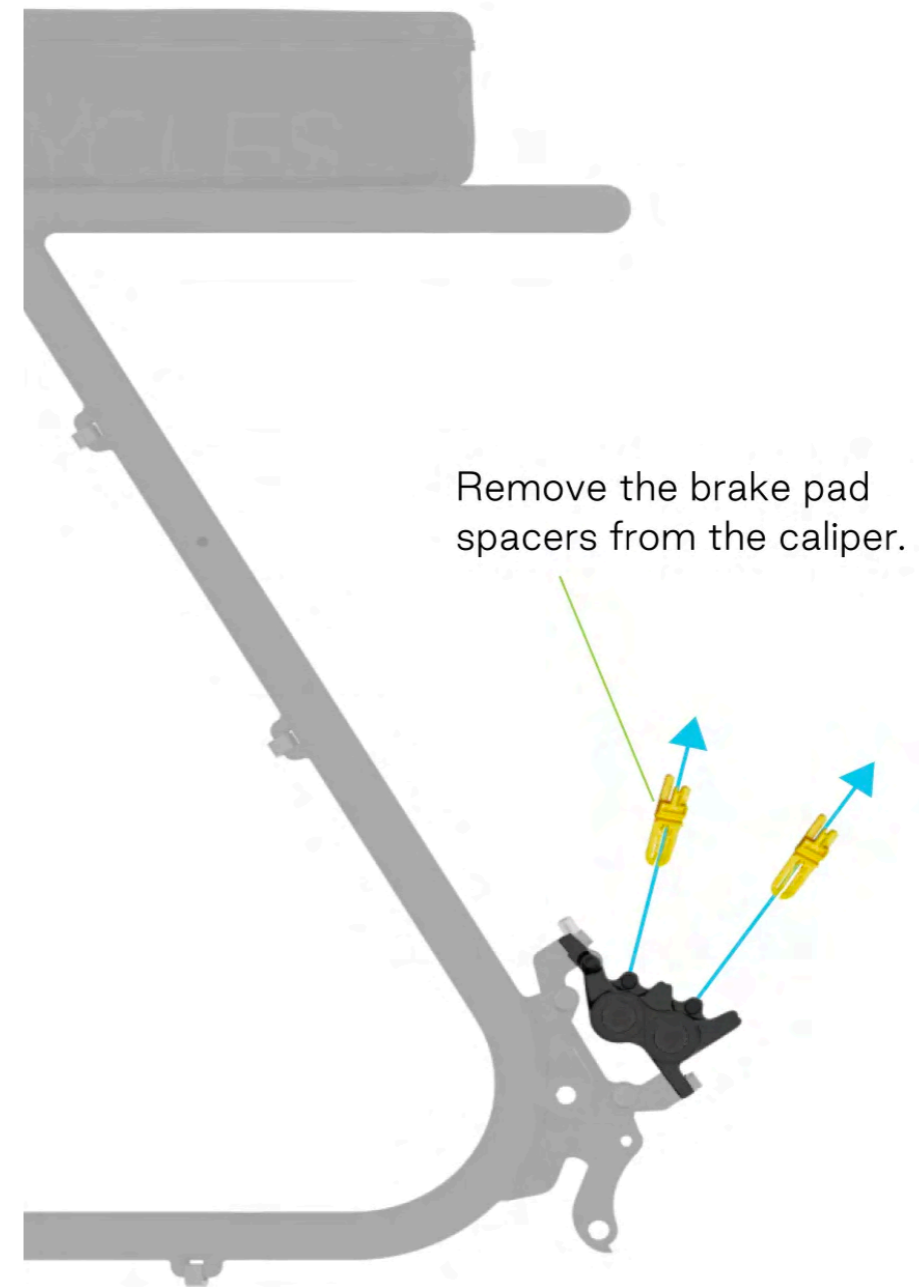


BUZZRAW CLASSIC

STEP 7 | REAR WHEEL ASSEMBLY

Tool Required

8mm Hex Wrench | 



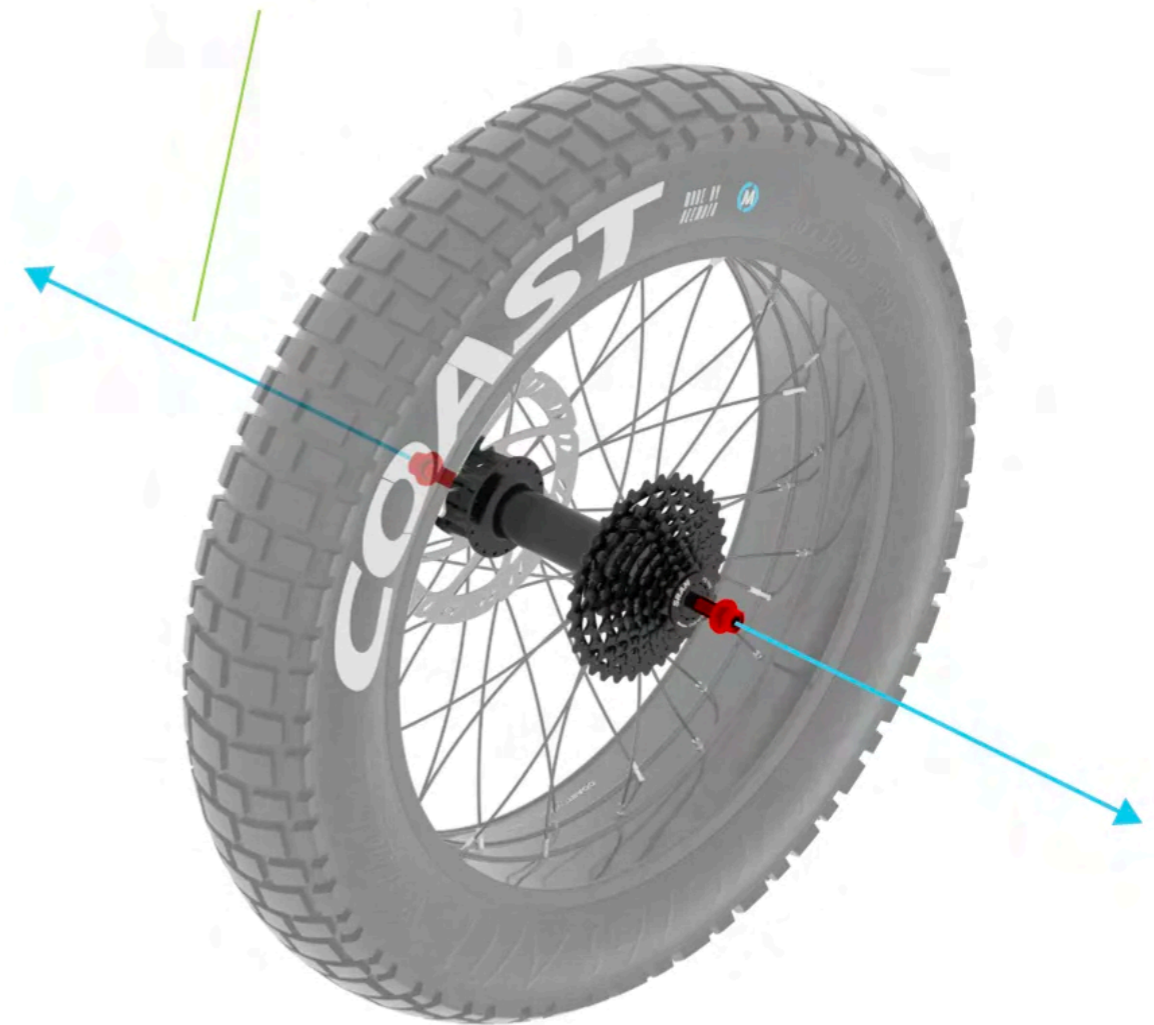
BUZZRAW CLASSIC

STEP 7 | REAR WHEEL ASSEMBLY

Tool Required

8mm Hex Wrench | 

Loosen both bolts
from the rear hub axle.



BUZZRAW CLASSIC

STEP 7 | REAR WHEEL ASSEMBLY

Tool Required

8mm Hex Wrench | 



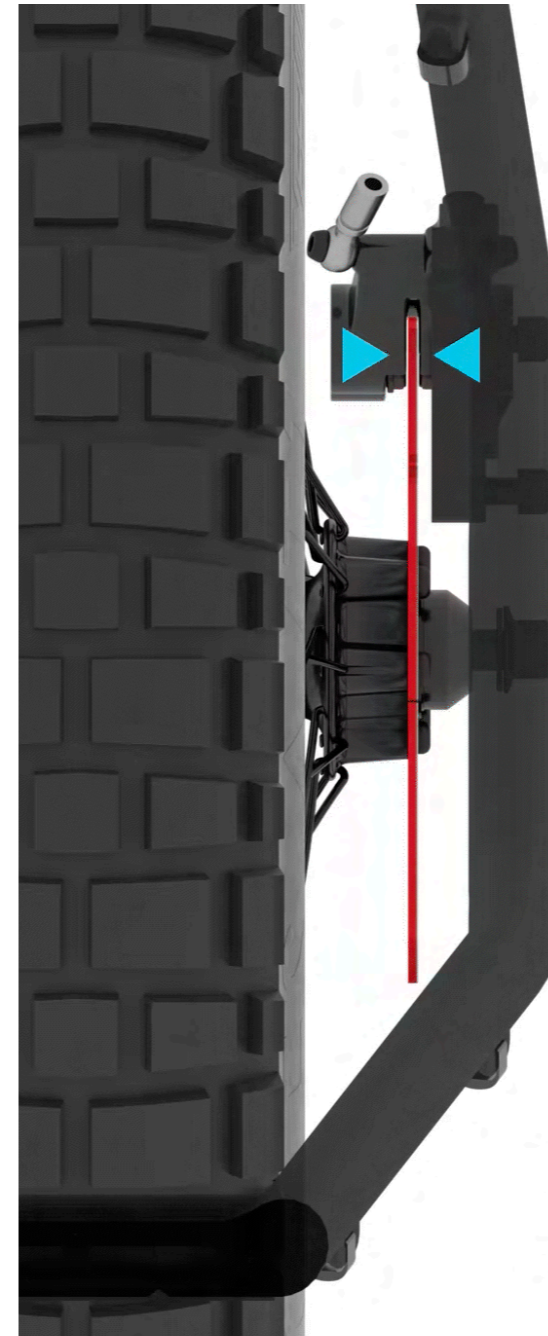
Install the rear wheel on to the dropout as shown.

BUZZRAW CLASSIC

STEP 7 | REAR WHEEL ASSEMBLY

Tool Required

8mm Hex Wrench | 



The rear disc should sit between brake pads with equal gaps on each side.

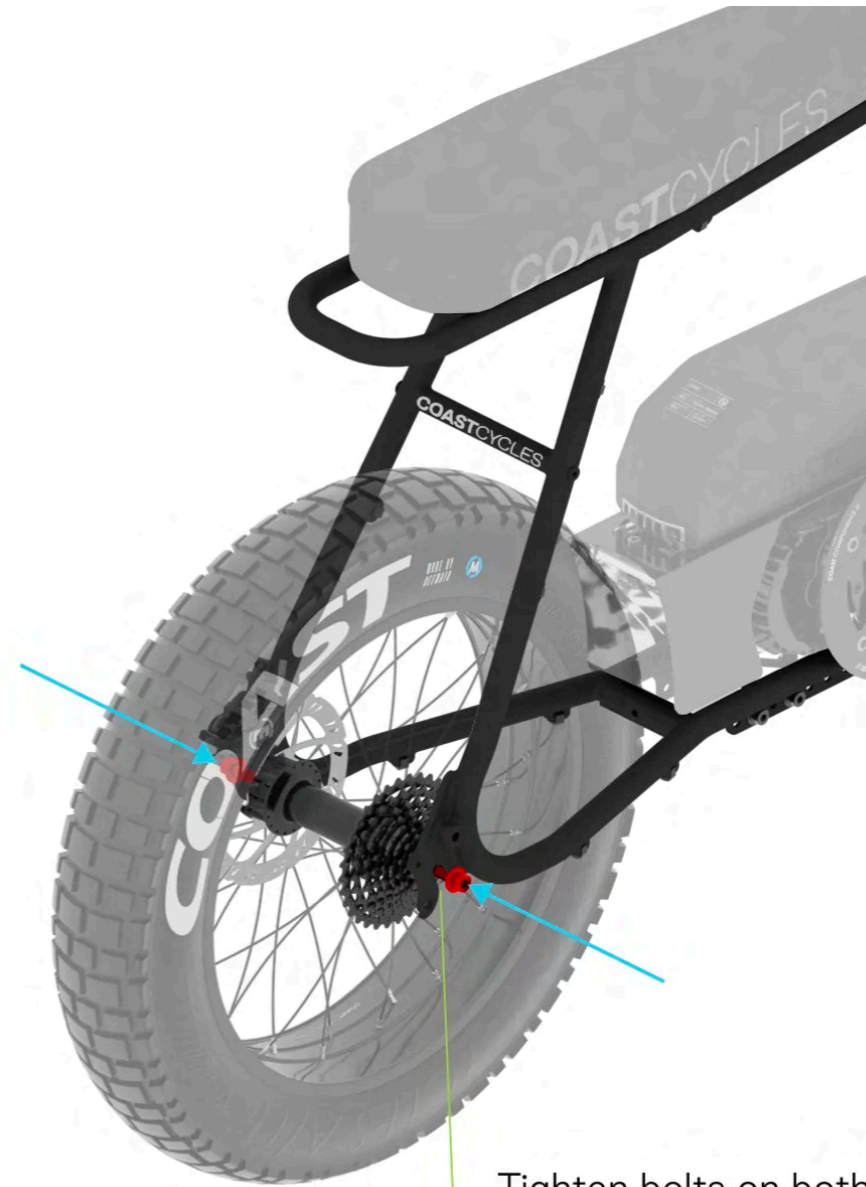
The rear caliper has been aligned before shipping.

BUZZRAW CLASSIC

STEP 7 | REAR WHEEL ASSEMBLY

Tool Required

8mm Hex Wrench | 



Tighten bolts on both sides to 25Nm with an 8mm hex wrench.

BUZZRAW CLASSIC

STEP 7 | REAR WHEEL ASSEMBLY

Tool Required

8mm Hex Wrench | 



BUZZRAW CLASSIC

STEP 8 | DERAILLEUR ASSEMBLY

Tool Required

5mm Hex Wrench



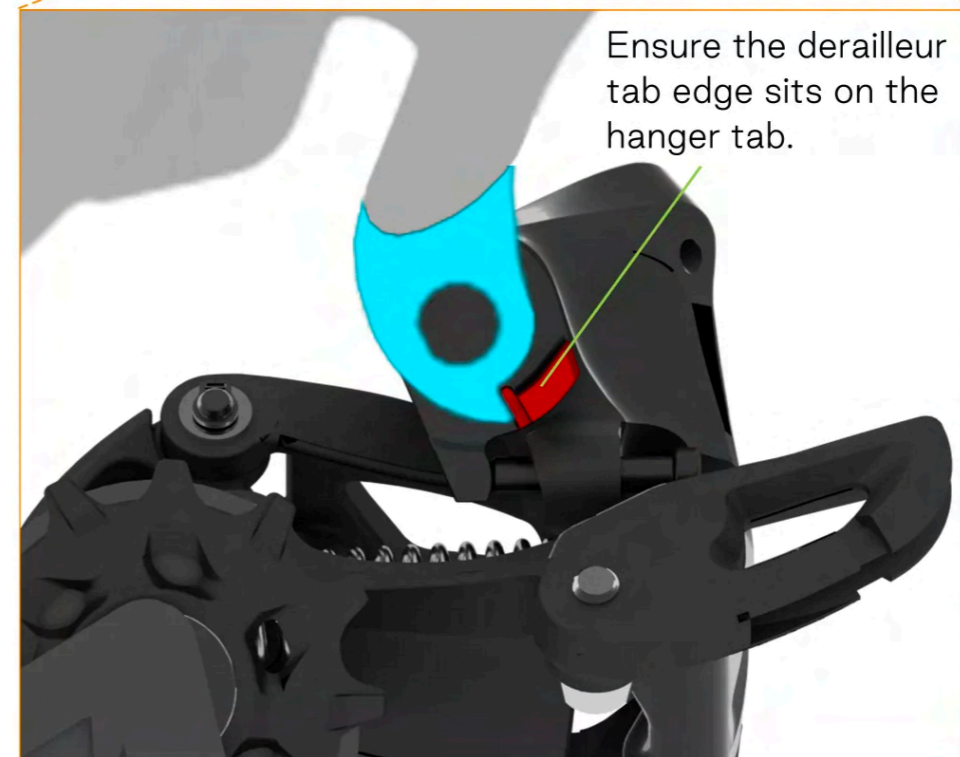
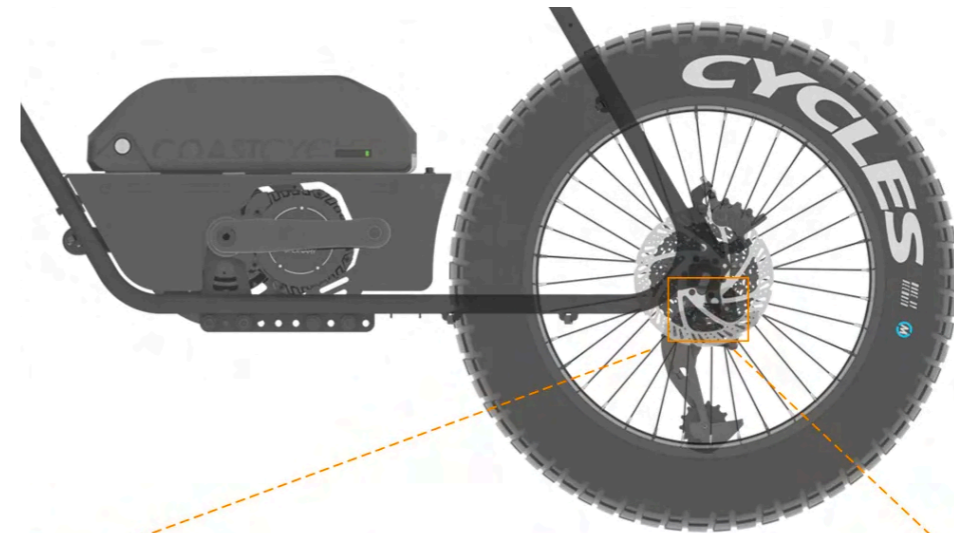
Fasten the rear derailleur to the derailleur hanger as shown with a 5mm hex wrench.

BUZZRAW CLASSIC

STEP 8 | DERAILLEUR ASSEMBLY

Tool Required

5mm Hex Wrench



BUZZRAW CLASSIC

STEP 8 | DERAILLEUR ASSEMBLY

Tool Required

5mm Hex Wrench



Tighten the bolt to 10Nm with a 5mm hex wrench.

BUZZRAW CLASSIC

STEP 8 | DERAILLEUR ASSEMBLY

Tool Required

5mm Hex Wrench



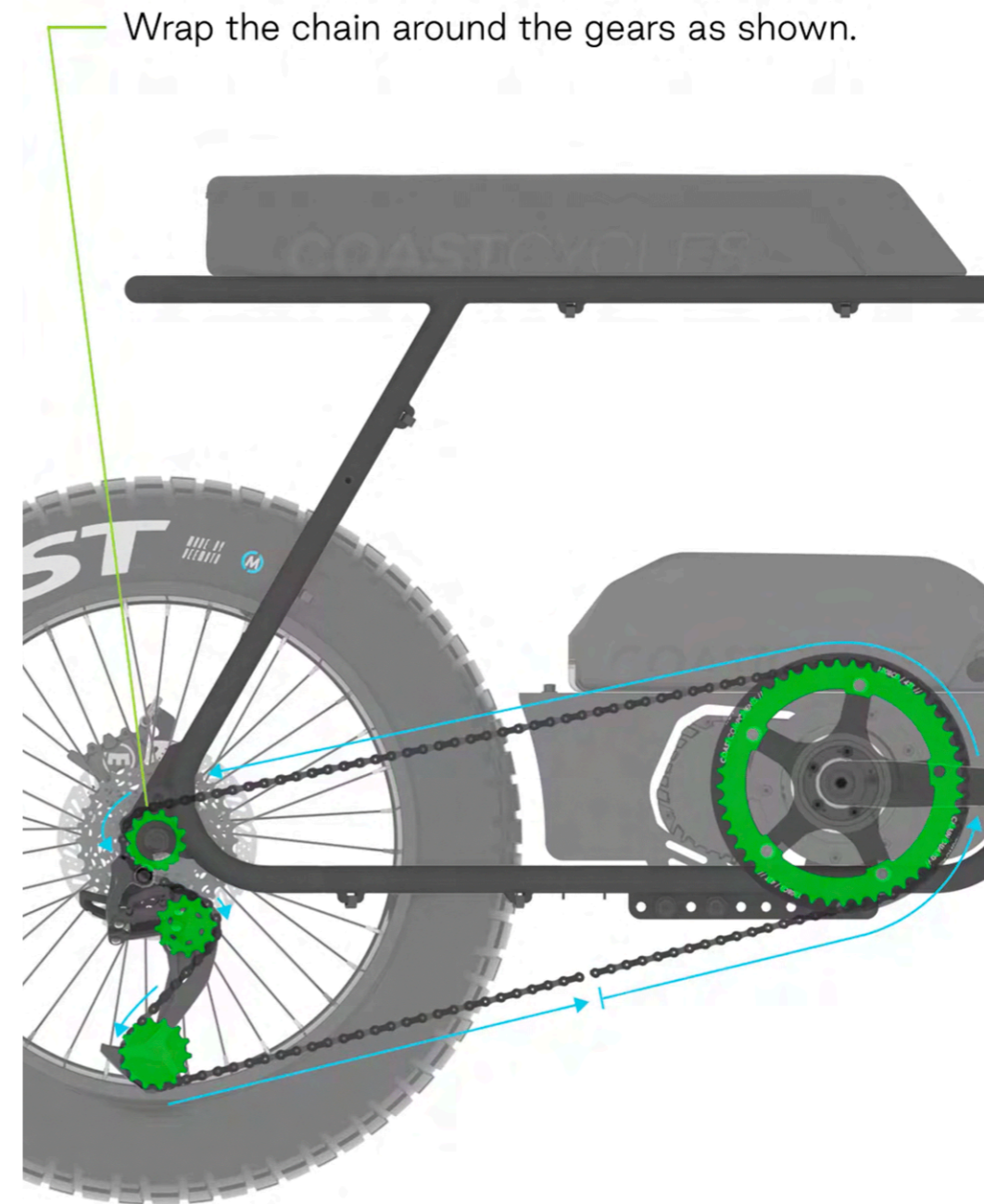
BUZZRAW CLASSIC

STEP 9 | CHAIN ASSEMBLY

Package Contents



1 X 8 Speed Chain with Quick Links



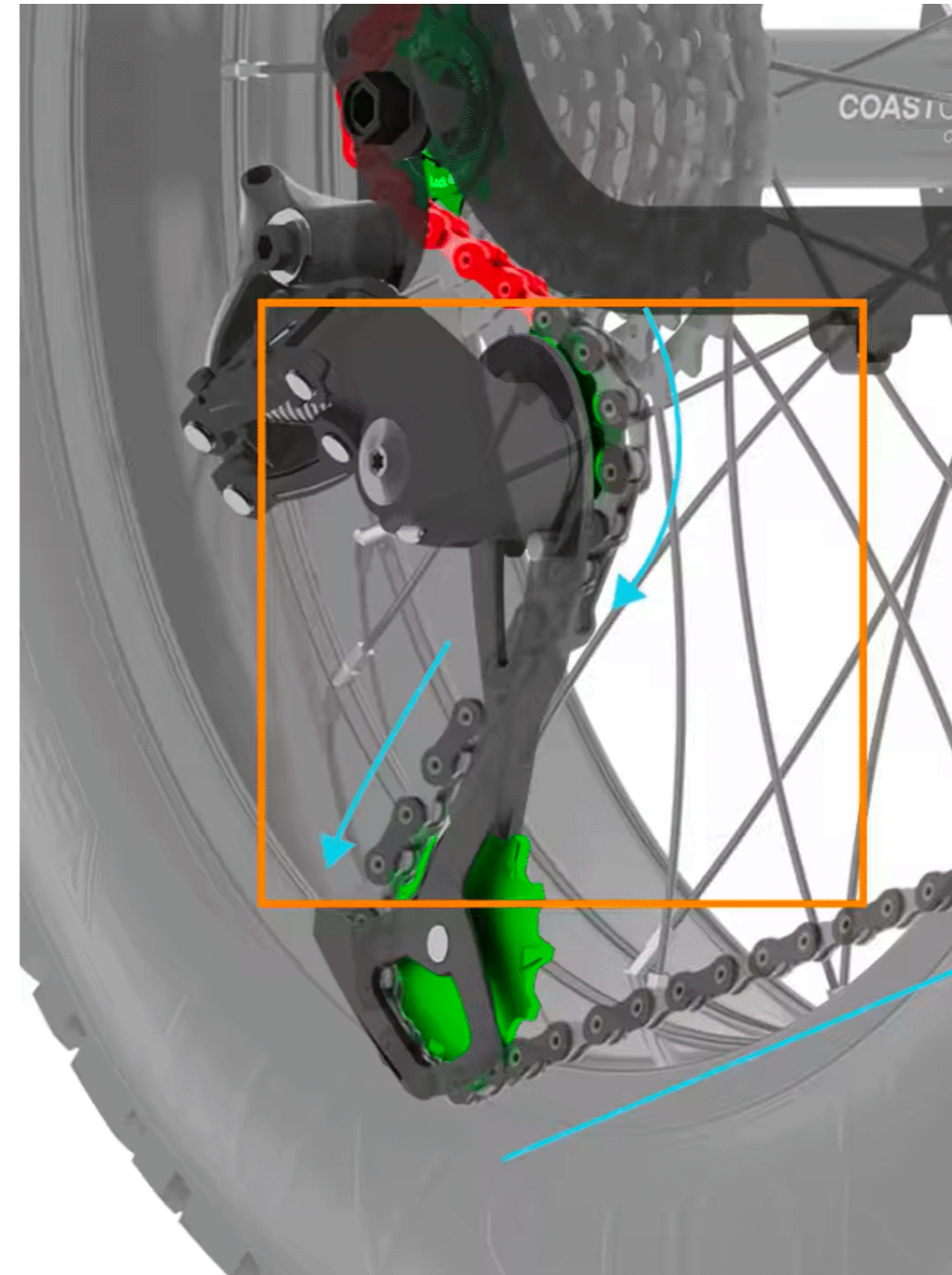
BUZZRAW CLASSIC

STEP 9 | CHAIN ASSEMBLY

Package Contents



1 X 8 Speed Chain with Quick Links



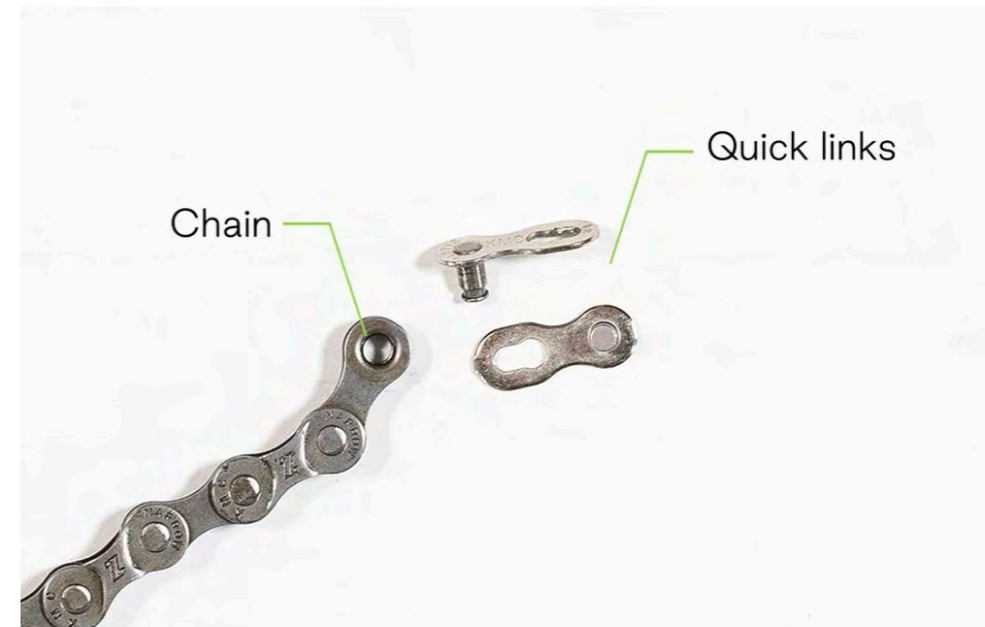
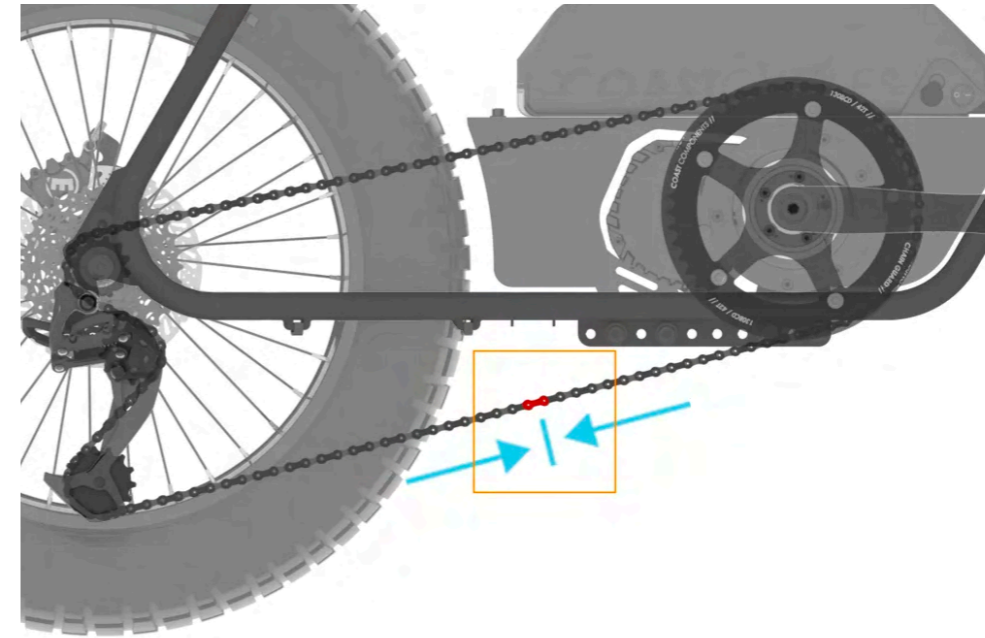
BUZZRAW CLASSIC

STEP 9 | CHAIN ASSEMBLY

Package Contents



1 X 8 Speed Chain with Quick Links



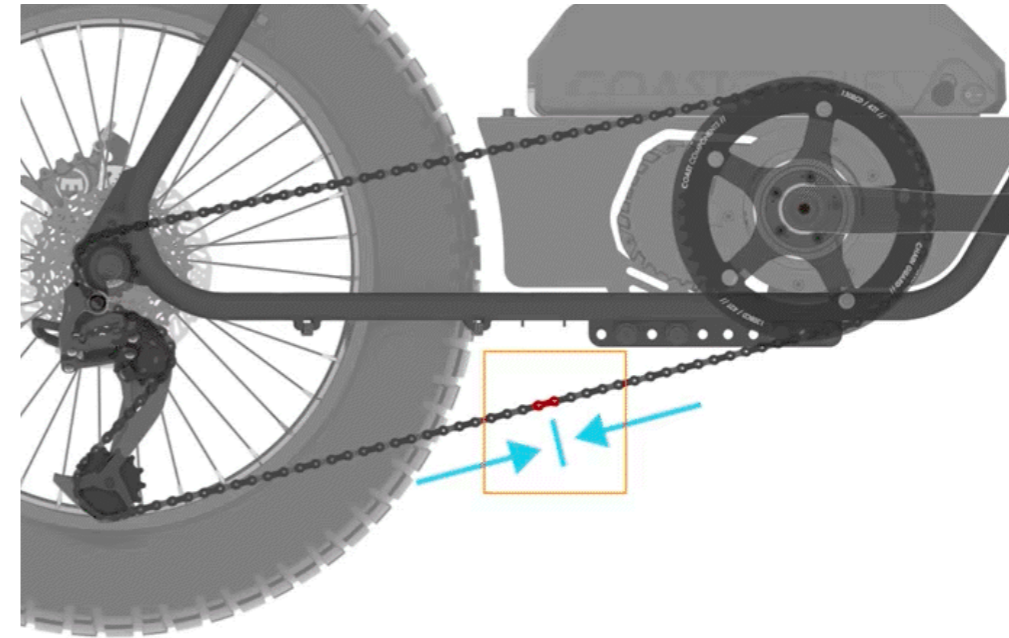
BUZZRAW CLASSIC

STEP 9 | CHAIN ASSEMBLY

Package Contents



1 X 8 Speed Chain with Quick Links



Insert the links through the chain's open ends.



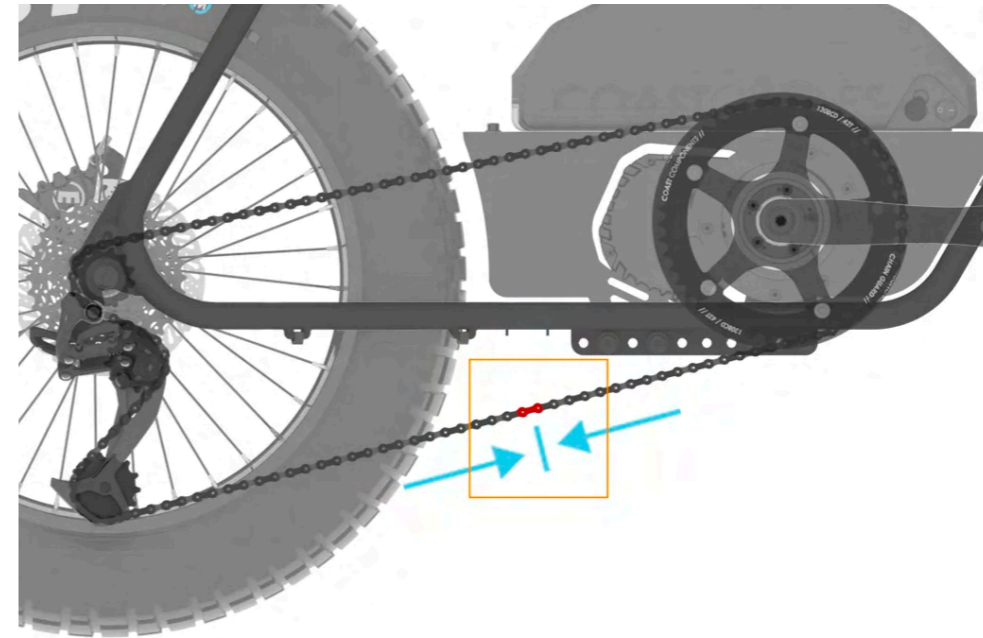
BUZZRAW CLASSIC

STEP 9 | CHAIN ASSEMBLY

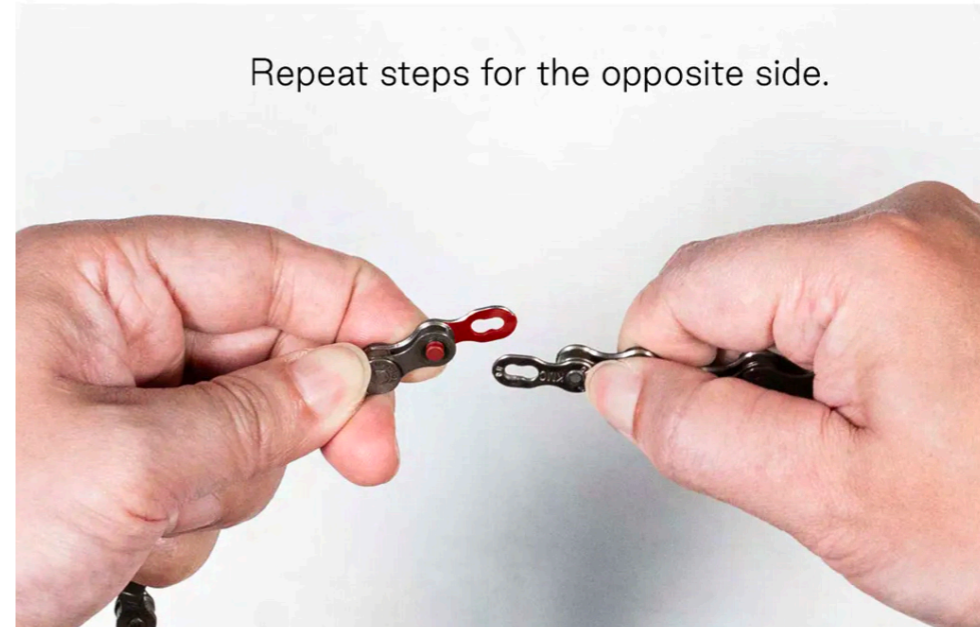
Package Contents



1 X 8 Speed Chain with Quick Links



Repeat steps for the opposite side.



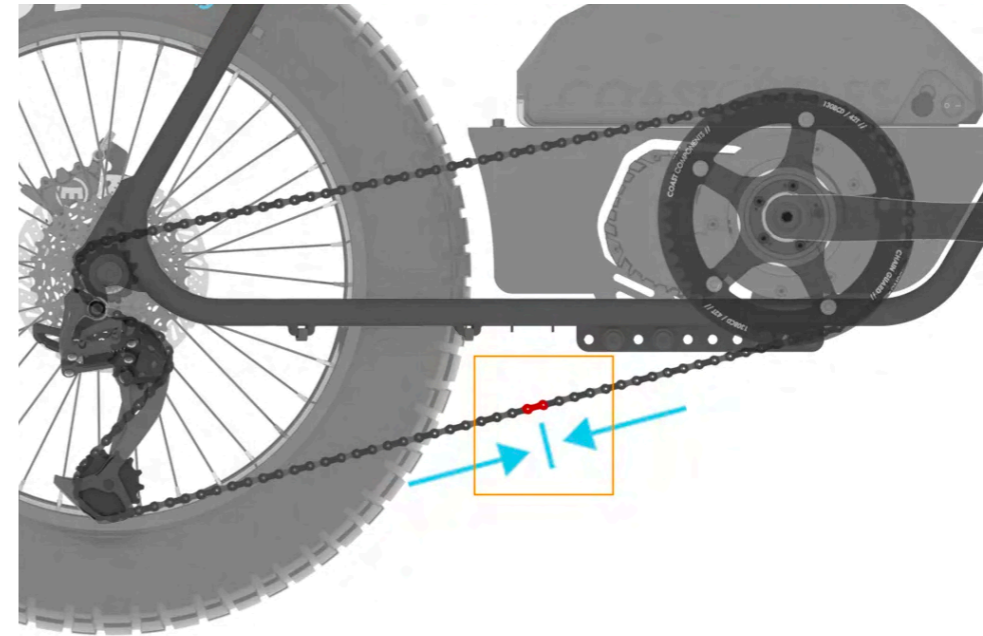
BUZZRAW CLASSIC

STEP 9 | CHAIN ASSEMBLY

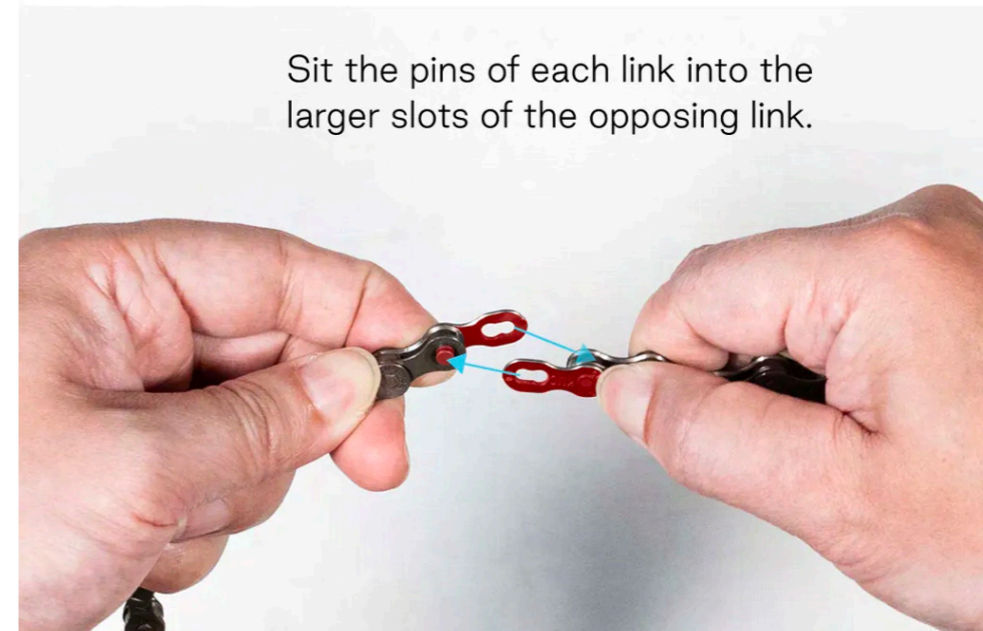
Package Contents



1 X 8 Speed Chain with Quick Links



Sit the pins of each link into the larger slots of the opposing link.



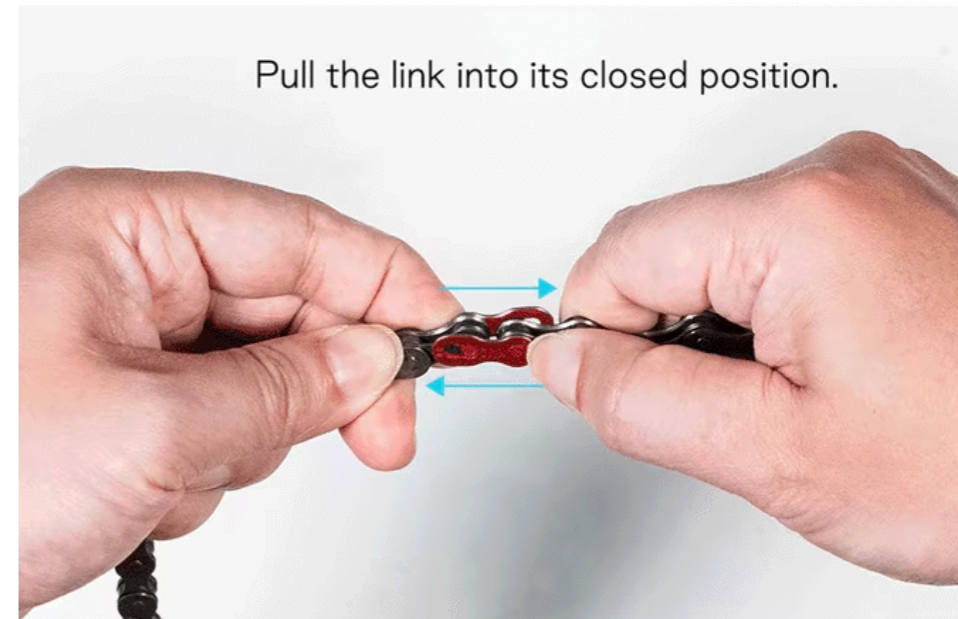
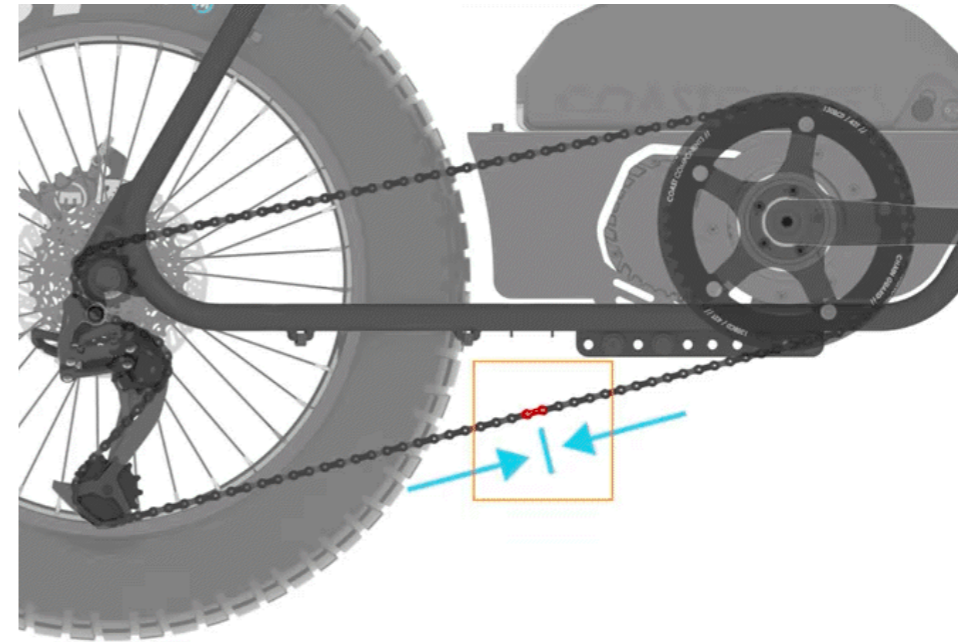
BUZZRAW CLASSIC

STEP 9 | CHAIN ASSEMBLY

Package Contents



1 X 8 Speed Chain with Quick Links



BUZZRAW CLASSIC

STEP 9 | CHAIN ASSEMBLY

Package Contents



1 X 8 Speed Chain with Quick Links

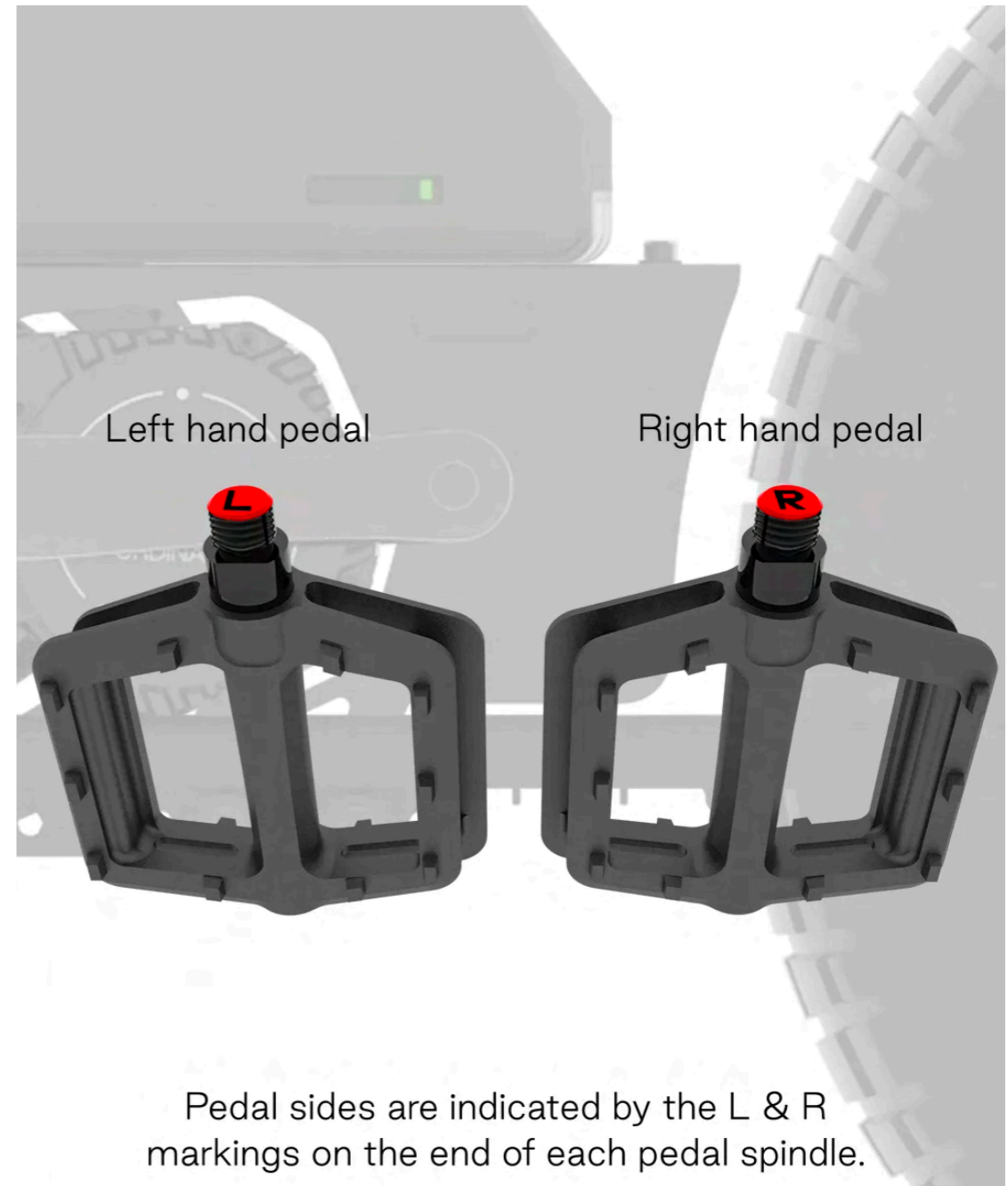


BUZZRAW CLASSIC

STEP 10 | PEDAL ASSEMBLY

Tool Required

15mm Wrench

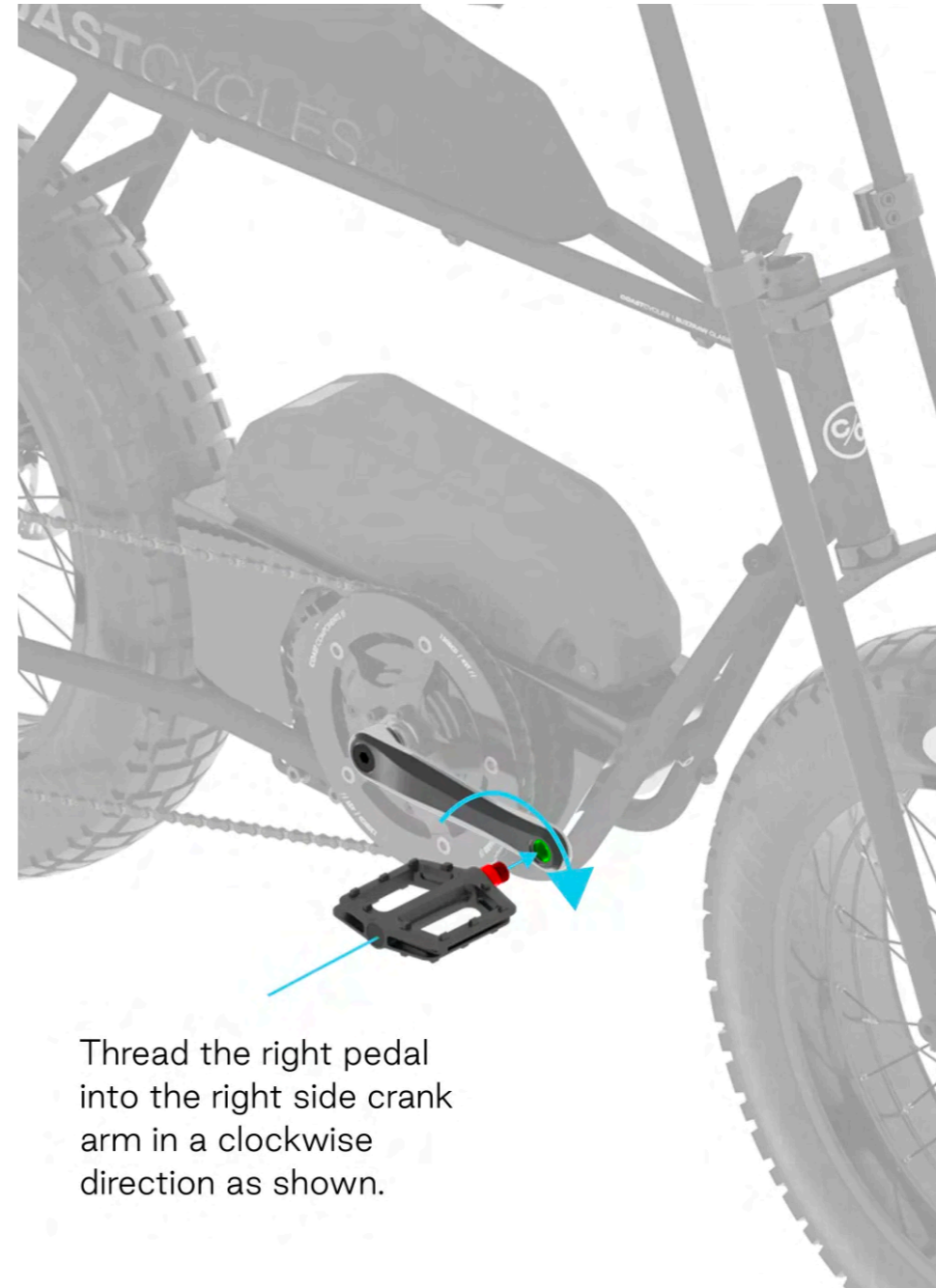


BUZZRAW CLASSIC

STEP 10 | PEDAL ASSEMBLY

Tool Required

15mm Wrench



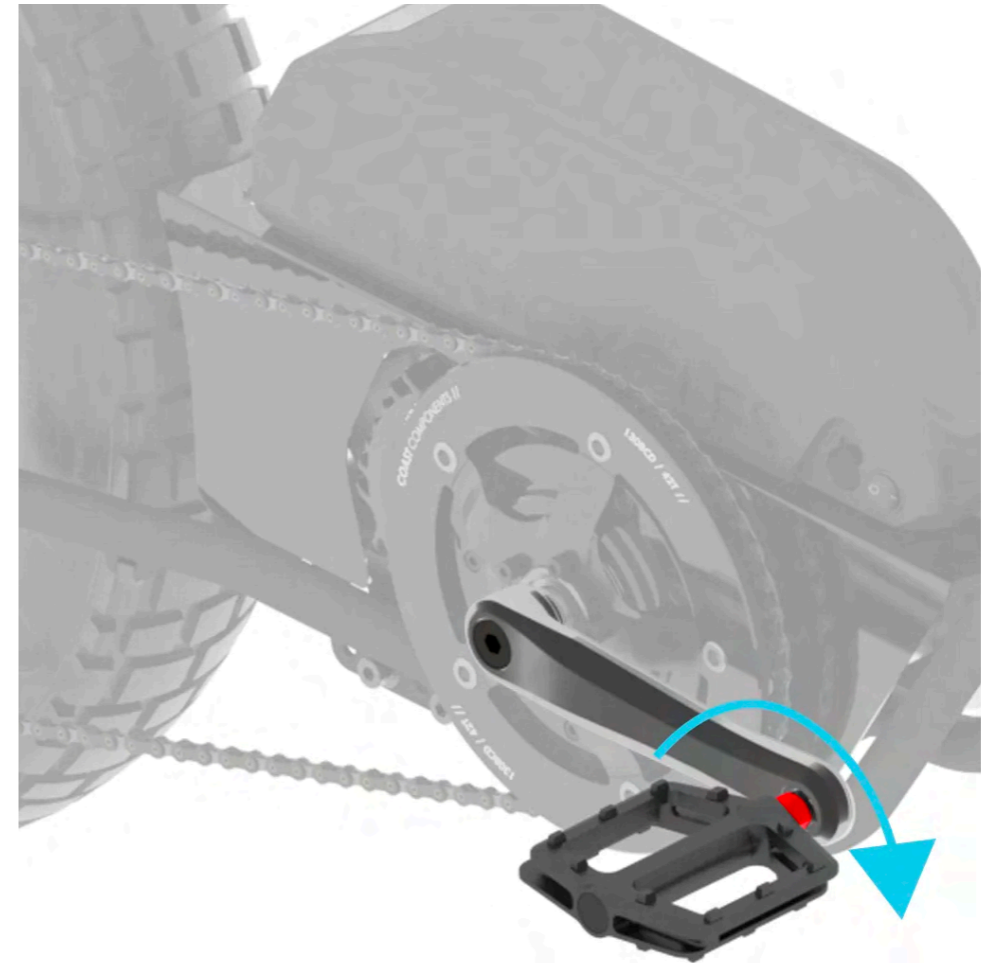
Thread the right pedal into the right side crank arm in a clockwise direction as shown.

BUZZRAW CLASSIC

STEP 10 | PEDAL ASSEMBLY

Tool Required

15mm Wrench



Tighten the pedal with a 15mm wrench in a clockwise direction.

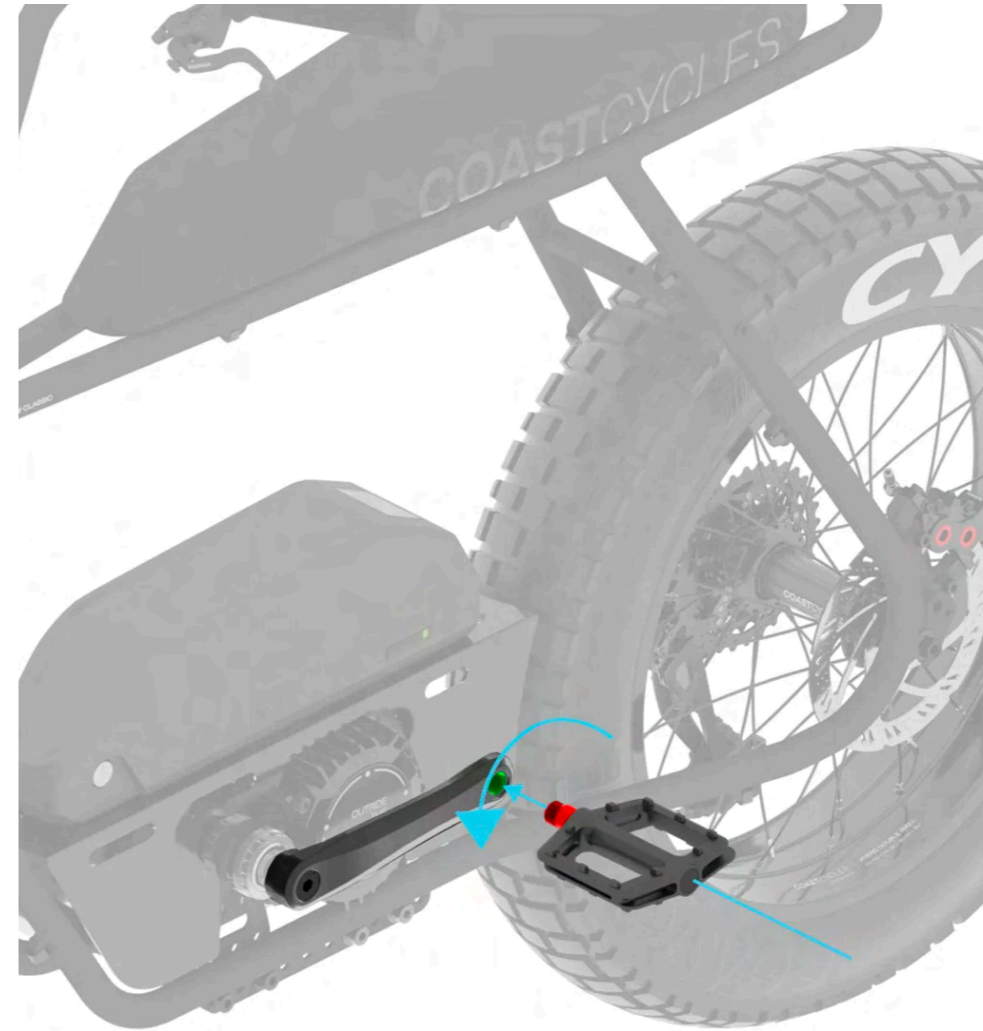
Note: Hold the opposite crank arm as another point of leverage.

BUZZRAW CLASSIC

STEP 10 | PEDAL ASSEMBLY

Tool Required

15mm Wrench



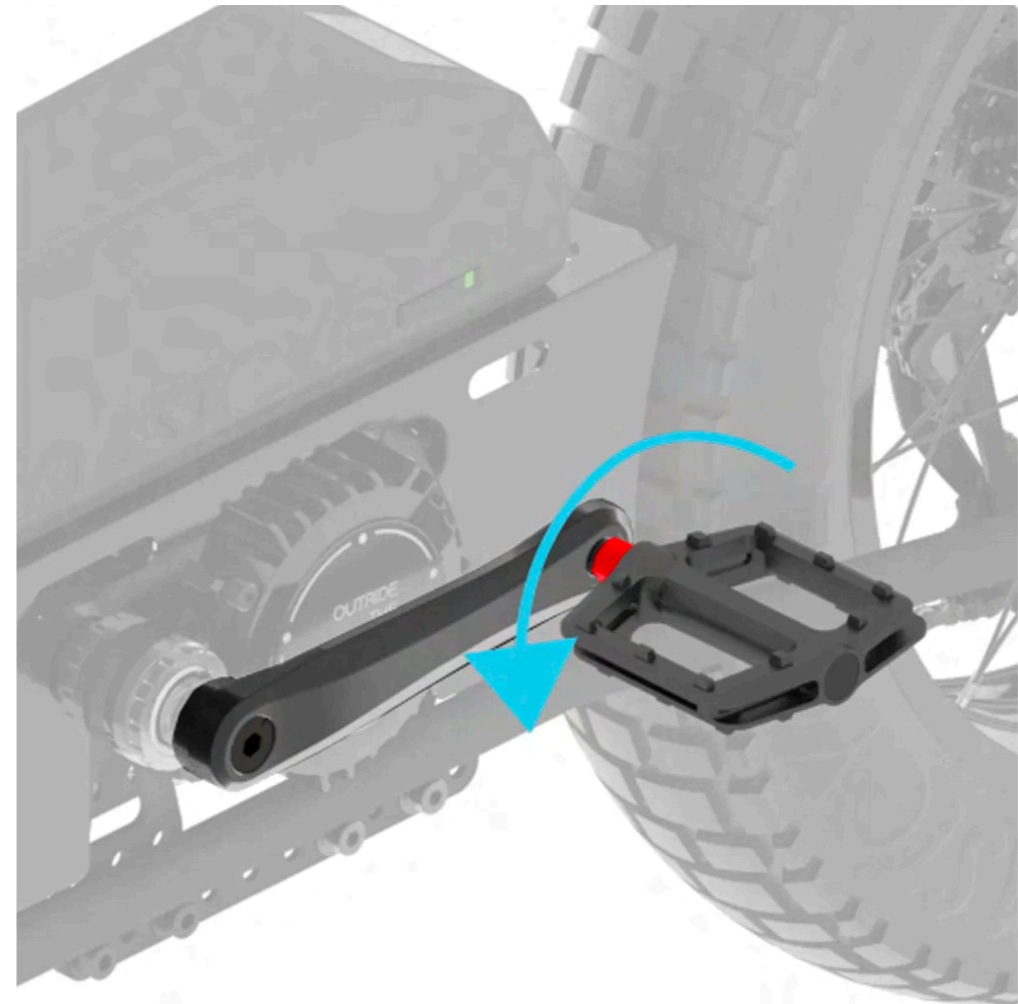
- Thread the left pedal into the left side crank arm in a counterclockwise direction as shown.

BUZZRAW CLASSIC

STEP 10 | PEDAL ASSEMBLY

Tool Required

15mm Wrench



Tighten the pedal with a 15mm wrench in a counterclockwise direction.

Note: Hold the opposite crank arm as another point of leverage.

BUZZRAW CLASSIC

STEP 10 | PEDAL ASSEMBLY

Tool Required

15mm Wrench



COASTCYCLES