

ASSEMBLY INSTRUCTIONS:

Product Code : RMA2 BL

Product Name: Revolve Dual Monitor Arm

TIME REQUIRED:

15 minutes

TOOLS REQUIRED:

Screwdriver, Electric Drill, Pencil, Measuring tape/Ruler

*Tools are not included.

SKILL REQUIRED:

Easy  Hard

The Assembly Skill Rating is a 5-point system that shows the degree of effort needed in assembling a specific product. With 1 being easy for the average person and 5 requiring an expert. For most products, two persons are recommended.

NOTE

- As this is a commercial product, some intermediate skills may be required.
 - No pre-drill holes or markings are provided on our table or desk tops.
 - Please check you have all hardware before assembling.
- If you are missing any hardware, please contact your Rapidline reseller. Please ensure you have the name of the item, required hardware part and quantity.
 - Please retain your receipt as proof of purchase to validate your warranty.
- Assemble on a clean, flat, smooth surface such as a rug or carpet to avoid parts from being scratched.
 - Remove all wrapping materials, including staples and packing straps before you start to assemble
 - Keep all hardware parts out of reach of children.

CAUTION

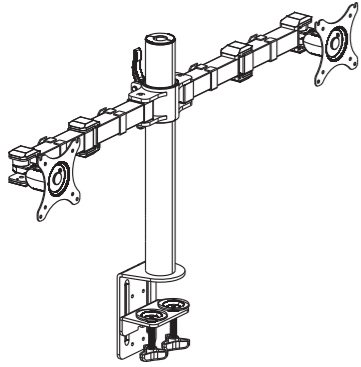
- Heavy product. Do not attempt to lift or move without help
- Do not tighten screws and bolts until completely assembled.
- Do not use this product unless all bolts and screws are firmly secured and tightened.

WARNING

- If parts are missing, broken, damaged or worn stop using the product until all repairs are made.
 - Failure to follow these warnings could result in serious injury.

Item No.:RMA2 BL

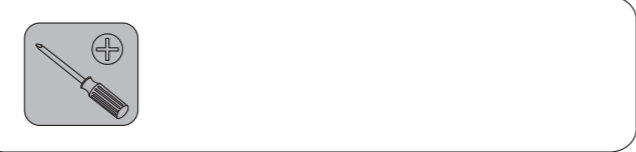
Installation guide



A x8 M4x12MM	B x8 M5x12MM	C x3 M6x16MM	D x2 M6x10MM
E x16	F x1 4x4	G x1 5x5	H x1 6x6

1. Tube Cover (2PCS)
2. TV plate (1PCS)
3. Tube (1PCS)
4. Bottom support 1 (1PCS)
5. Knob (1PCS)
6. Anti-slip rubber (2PCS)
7. Bottom support 2 (1PCS)
8. Bottom support 3 (1PCS)
9. M8x110mm Screw (1PCS)

Cable cover (4PCS)



STEP2-B

OPTION 1:Grommet

Size of the hole:8.5-70mm

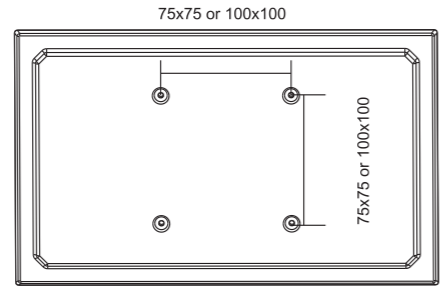
For desk thickness 20-90mm

Tighten

STEP1

Preparations before installing monitor

- 1.Make sure there are VESA holes 100x100mm or 75x75mm in the monitor.If not, the mount couldn't be installed.
- 2.Remove the original fixed base of monitor.Be careful not to scratch the screen.



STEP3

Install TV plate

Cable cover (4PCS)

! warning
Make sure the handle here is tightly locked before hang up the screen

STEP2-A

OPTION 1:Clamp

For desk thickness 20-100mm

DESK

Tighten

Please select the appropriate mounting holes according to the thickness of desk

STEP4

Attaching screen to TV plate

E A/B

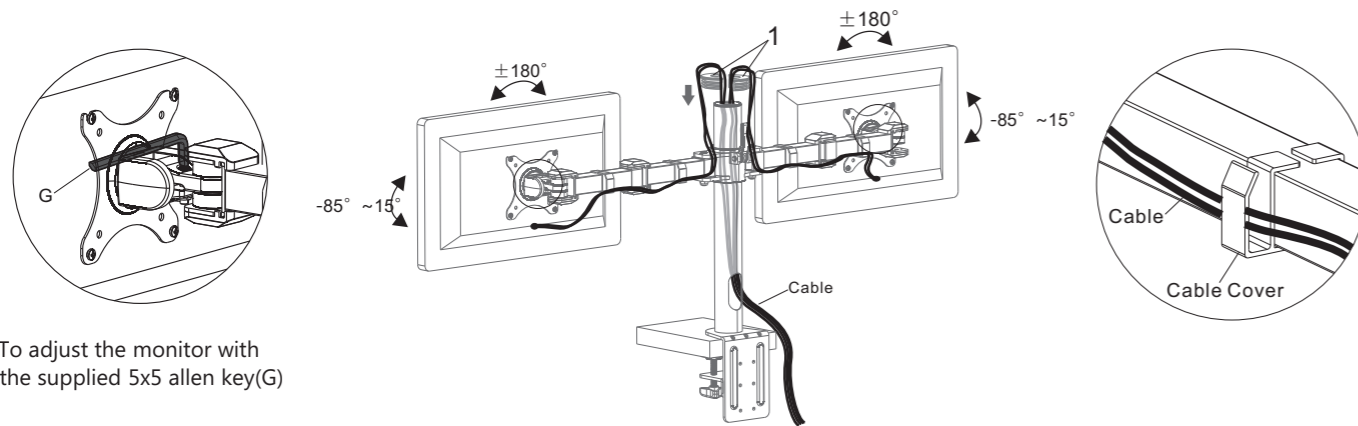
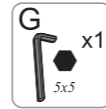
E A/B

E A/B

Increase washer(E) based on actual situation

STEP 5

Adjusting screen



To adjust the monitor with the supplied 5x5 allen key(G)



CAUTION

This product contains small items that could be a choking hazard if swallowed. Keep these items away from young children.

- Make Sure these instructions are read and completely understood before attempting installation. If you are unsure of any part of this installation, please contact a professional installer for assistance.
- The desk or mounting surface must be capable of supporting the combined weight of the mount and the display, otherwise the structure must be reinforced.
- please check joint parts every two months, making sure the screws are loosened or not.

This product was designed to be installed on desk. Before installing, make sure the mount will support the combined load of the equipment and hardware. Never exceed the maximum load capacity 10 KG, or else it may result in product failure or personal injury.

Note: this product is intended for indoor use only. Use of this product outdoors could lead to product failure or personal injury.