

# ASSEMBLY INSTRUCTIONS:

Product Code : MRC GW/ZB

Product Name: Marquee Reception

## TIME REQUIRED:

40 minutes

## TOOLS REQUIRED:

Screwdriver, Electric Drill, Pencil, Measuring tape/Ruler

\*Tools are not included.

## SKILL REQUIRED:

Easy  Hard

The Assembly Skill Rating is a 5-point system that shows the degree of effort needed in assembling a specific product. With 1 being easy for the average person and 5 requiring an expert. For most products, two persons are recommended.

### NOTE

- As this is a commercial product, some intermediate skills may be required.
  - No pre-drill holes or markings are provided on our table or desk tops.
  - Please check you have all hardware before assembling.
- If you are missing any hardware, please contact your Rapidline reseller. Please ensure you have the name of the item, required hardware part and quantity.
  - Please retain your receipt as proof of purchase to validate your warranty.
- Assemble on a clean, flat, smooth surface such as a rug or carpet to avoid parts from being scratched.
  - Remove all wrapping materials, including staples and packing straps before you start to assemble
    - Keep all hardware parts out of reach of children.

### CAUTION

- Heavy product. Do not attempt to lift or move without help
- Do not tighten screws and bolts until completely assembled.
- Do not use this product unless all bolts and screws are firmly secured and tightened.

### WARNING

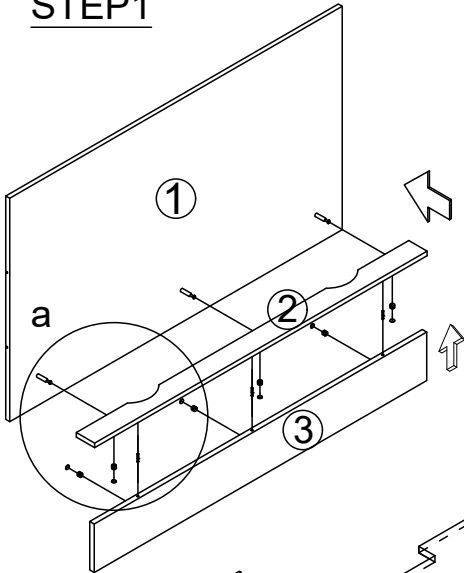
- If parts are missing, broken, damaged or worn stop using the product until all repairs are made.
  - Failure to follow these warnings could result in serious injury.

# Assembly Instructions

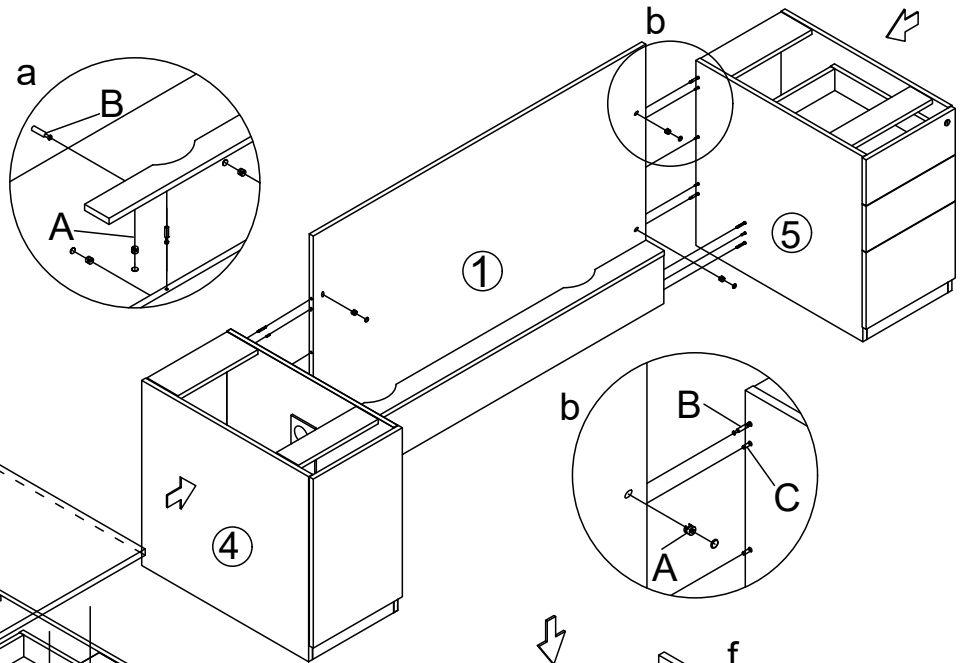
## MODEL NO.: RC3 RECEPTION DESK

<b>A</b>  54Set	<b>B</b>  54Pcs	<b>C</b>  44Pcs	<b>D</b>  2Pcs	<b>E</b>  Ø80 2Pcs	<b>F</b>  Ø4*30 18Pcs	<b>G</b>  Ø6*12 10Pcs	<b>H</b>  6 Set	<b>I</b>  Ø6*35 6Pcs
-----------------------	-----------------------	-----------------------	----------------------	-----------------------------	--------------------------------	--------------------------------	-----------------------	-------------------------------

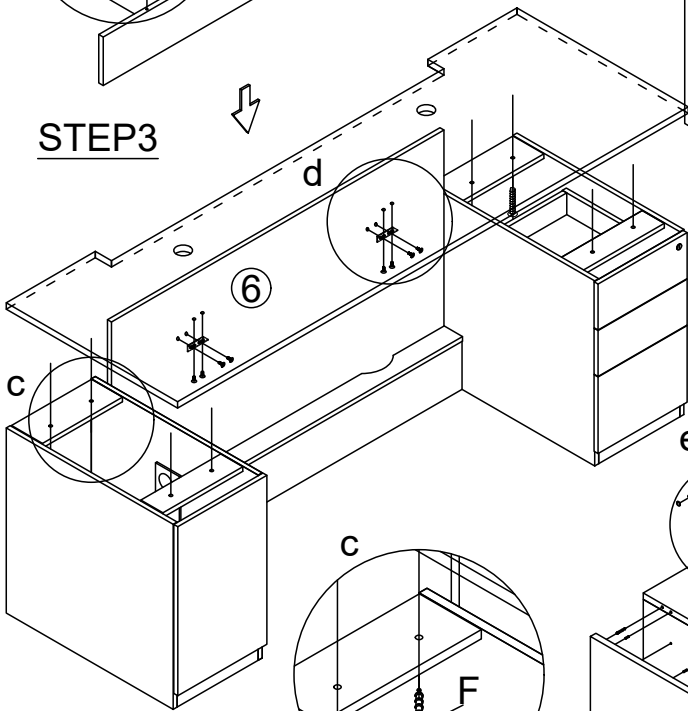
### STEP1



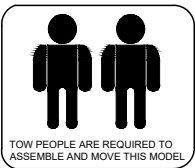
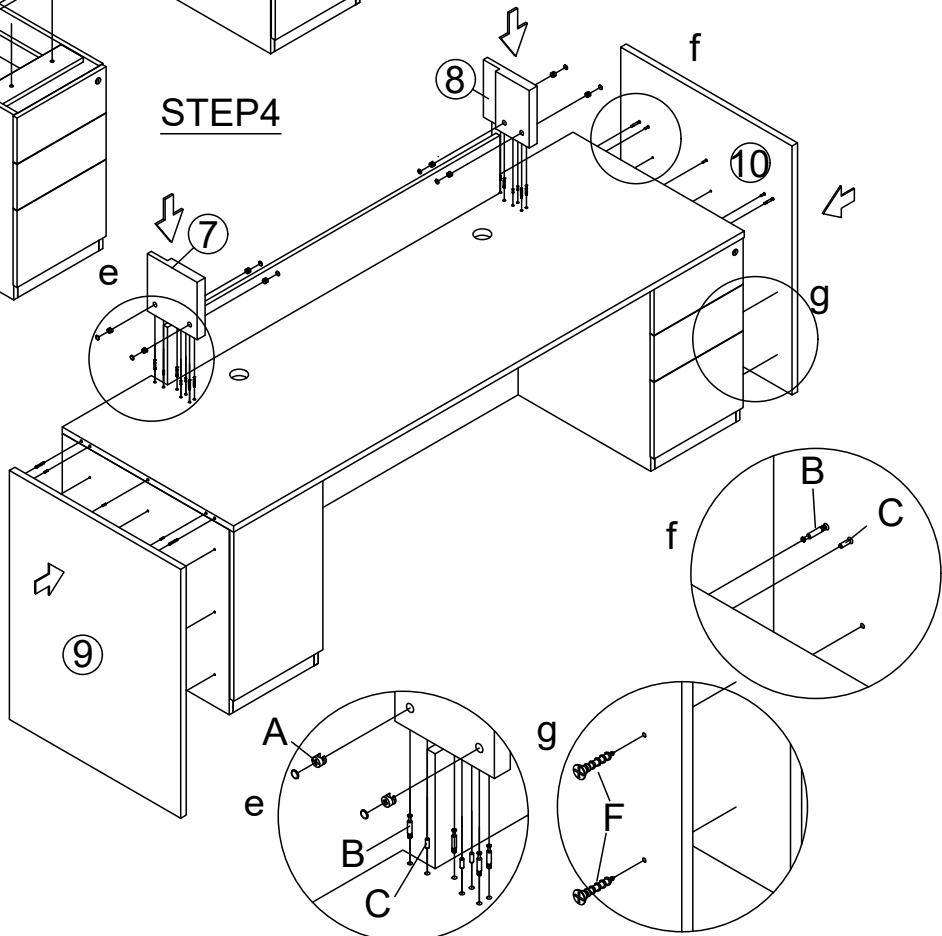
### STEP2



### STEP3



### STEP4



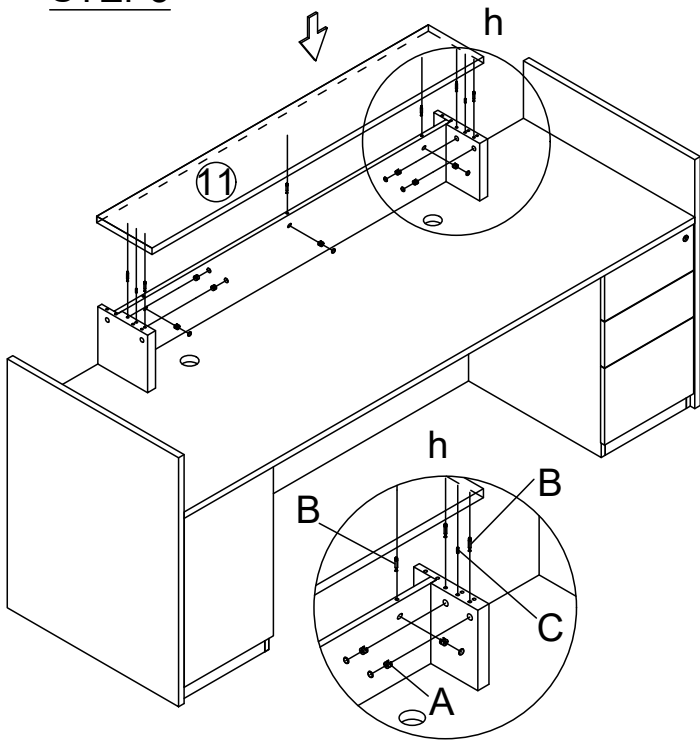
### IMPORTANT NOTE:

- Place all parts on a clean and smooth surface such as a rug or carpet to avoid the parts from being scratched.
- Check to be sure that you have all parts and hardware.
- Remove all wrapping materials, including staples & packing straps before you start to assemble.
- Don't tighten all screws/bolts until all completely assembled.
- Keep all hardware parts out of reach of children

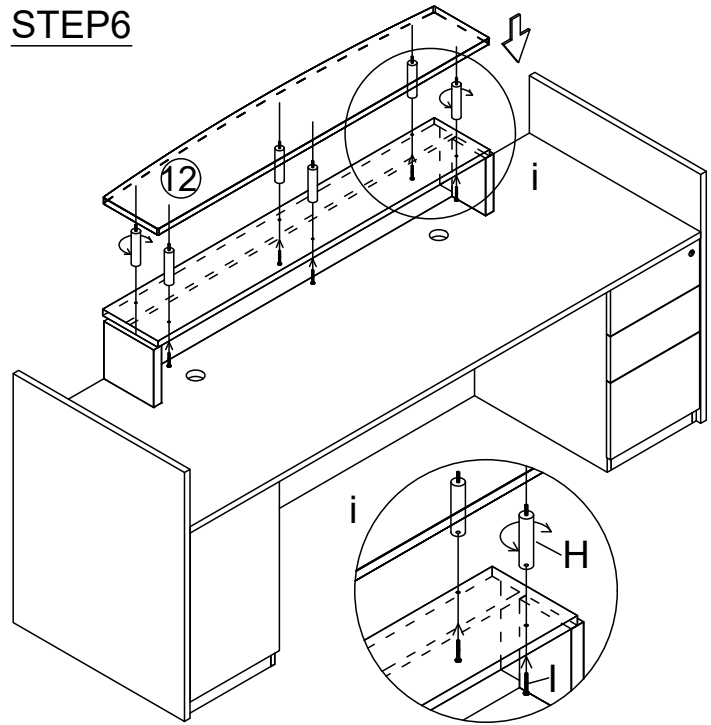
# Assembly Instructions

## MODEL NO.: RC3 RECEPTION DESK

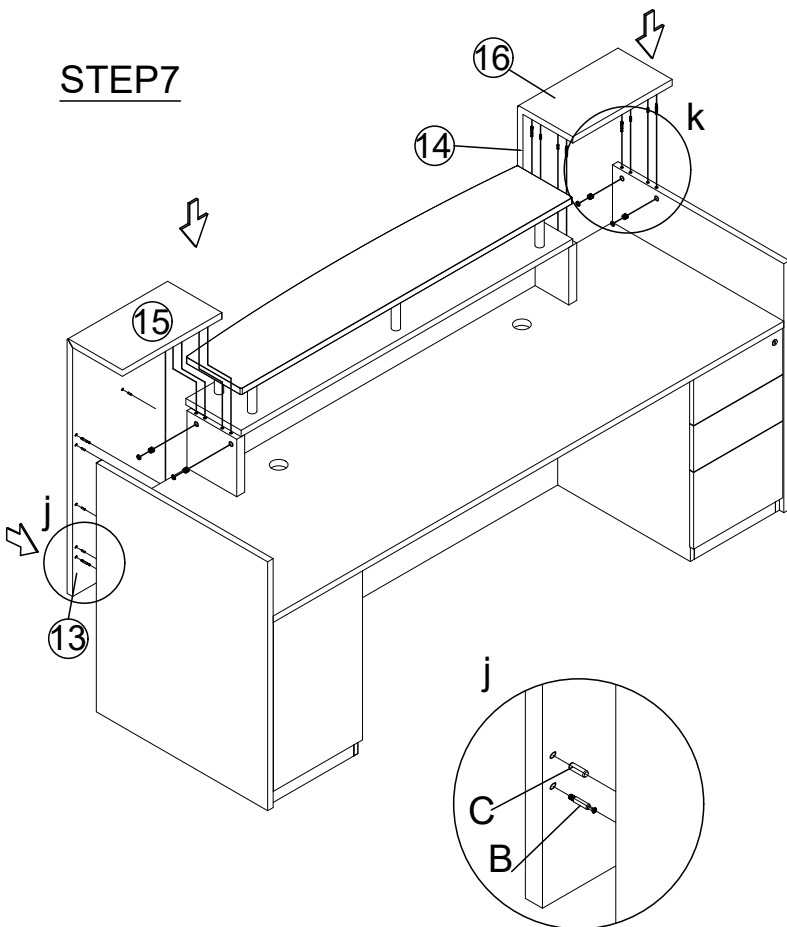
### STEP 5



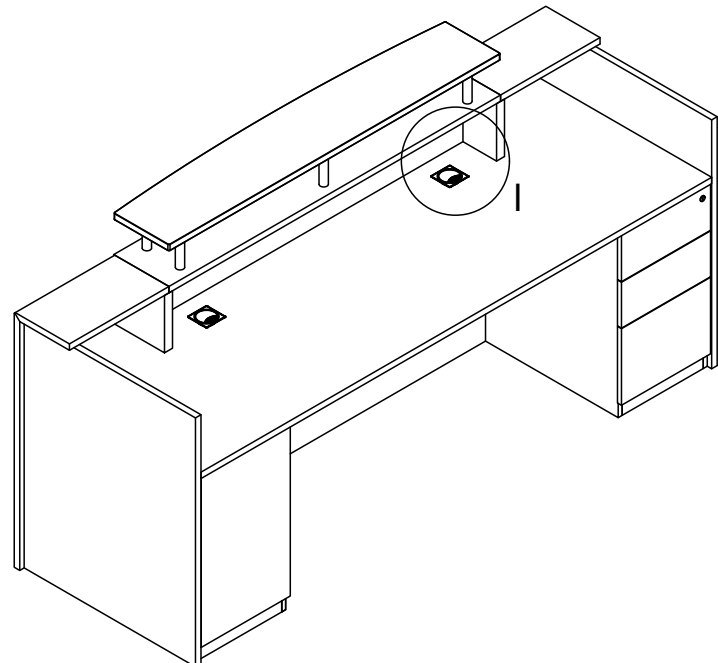
### STEP 6



### STEP 7



### COMPLETED ASSEMBLY



#### IMPORTANT NOTE:

- Place all parts on a clean and smooth surface such as a rug or carpet to avoid the parts from being scratched.
- Check to be sure that you have all parts and hardware.
- Remove all wrapping materials, including staples & packing straps before you start to assemble.
- Don't tighten all screws/bolts until all completely assembled.
- Keep all hardware parts out of reach of children