


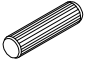


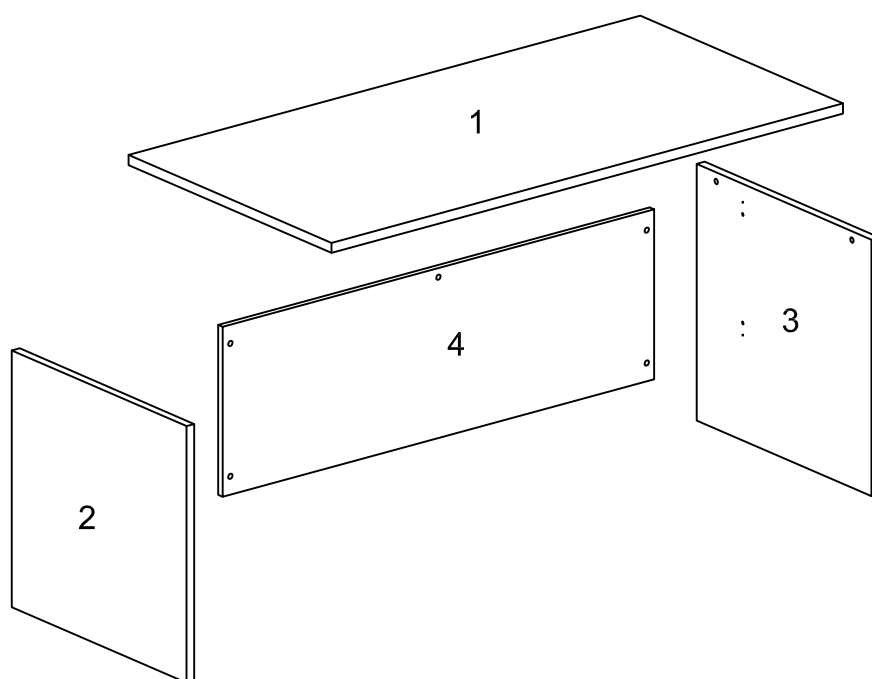
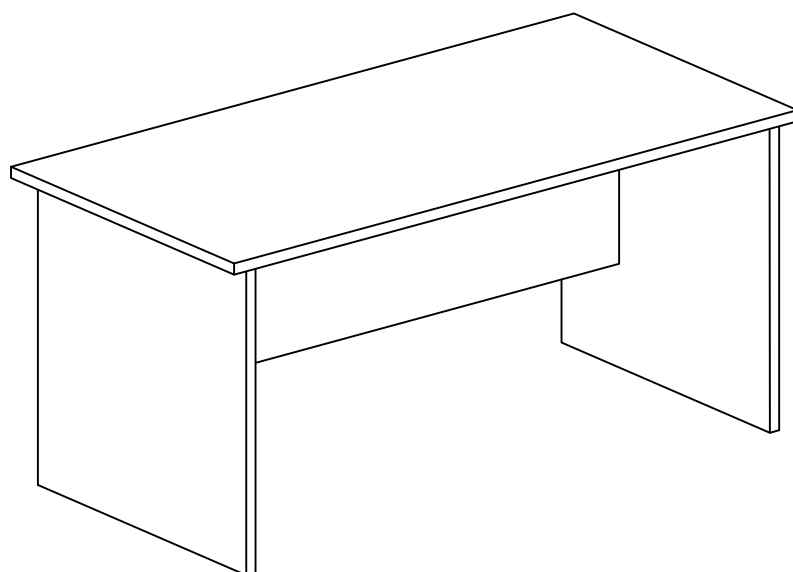


Please follow these instruction for easy assembly.

<b>A</b>  <b>Minifix Bolt</b> 9 Pcs	<b>B</b>  <b>Minifix Housing</b> 9 Pcs	<b>C</b>  <b>Sticker Cap</b> 9 Pcs	<b>D</b>  <b>Dowel M8 X 30</b> 10 Pcs	<b>E</b>  <b>Adjustable Glide</b> 4 Pcs	<b>F</b>  <b>M4 x 65 Allen-Key</b> 1 Pcs
---	--	--	---	---	--



**IMPORTANT!**

- Place all wooden parts on a clean and smooth surface such as a rug or carpet to avoid the parts from being scratched.
- Check that you have all the parts and hardware.
- Remove all wrapping materials, including staples & packing straps before you start to assemble.
- Do not tighten any screws or bolts until the unit is completely assembled.
- Keep all hardware parts out of reach of children.

