

# 23. Ten Scoop

---

- ADDITION FACTS
- IDENTIFY NUMBER PAIRS WHOSE SUM IS 10

TEACHER NEEDS:  
10 single blocks

STUDENT PAIRS NEED:  
10 single blocks  
optional: 1-2 holders  
optional: paper cups

 25 minutes

HELPFUL HINTS:  
Make a classroom chart or poster of the combinations where students can observe and study the patterns.

GROUP ACTIVITY:

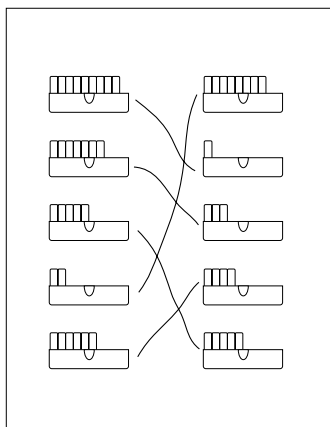
---

1. Make a group of ten blocks for the students to see.
2. Ask a volunteer to count the blocks out loud.
3. Without the students seeing, slide 4 of the blocks under your hand.
4. Ask several students how they would figure out how many blocks are hidden in your hand. As each student offers a suggestion, ask each how many blocks he or she thinks are hidden; record guesses on the board.
5. Prompt students to suggest that since we know we started with 10 blocks, and we know how many are left (6), we can think of what number combines with 6 to make 10. (4)
6. *Optional:* Give students a holder or ten-frame chart to help them organize and count the remaining blocks.
7. Reveal how many blocks were hidden. (4) Show that 6 and 4 together make 10.
8. *Optional:* Repeat with another number.

PARTNER WORK:

---

1. Working in pairs, both students count to verify that together they have 10 blocks. The blocks are placed between them.
2. One student closes her eyes.
3. The second student hides some of the blocks behind his back or under a cup.
4. The first student opens her eyes and, looking at what is left, says how many blocks she thinks are hidden.
5. The second student reveals how many blocks were hidden.
6. *Optional:* When a student determines the correct number of hidden blocks, he or she marks a point for themselves or takes a sticker, etc.
7. Students switch roles and repeat at least 10 times.
8. *Optional:* Students use record sheet from *Ways to Make 10* to record each turn. Did they find all the pairs that make 10 including  $0 + 10$ ?



*Optional:* Worksheet from *Ways to Make 10*

*Assessment:*

---

DOES THE STUDENT:

- count the number of remaining blocks correctly
- determine the number of hidden blocks correctly

*Differentiation:*

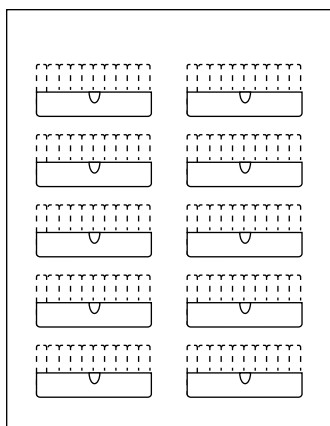
---

REINFORCEMENT:

- Provide students with holders or ten-frames to help them organize and count the remaining blocks.
- Prompt, "How many more blocks would you need to fill the holder/ten-frame?"

EXTENSION:

- Students use optional worksheet (also in appendix) to color the different number pairs that combine to make 10 (e.g. 2 red + 8 blue).



Name: \_\_\_\_\_

