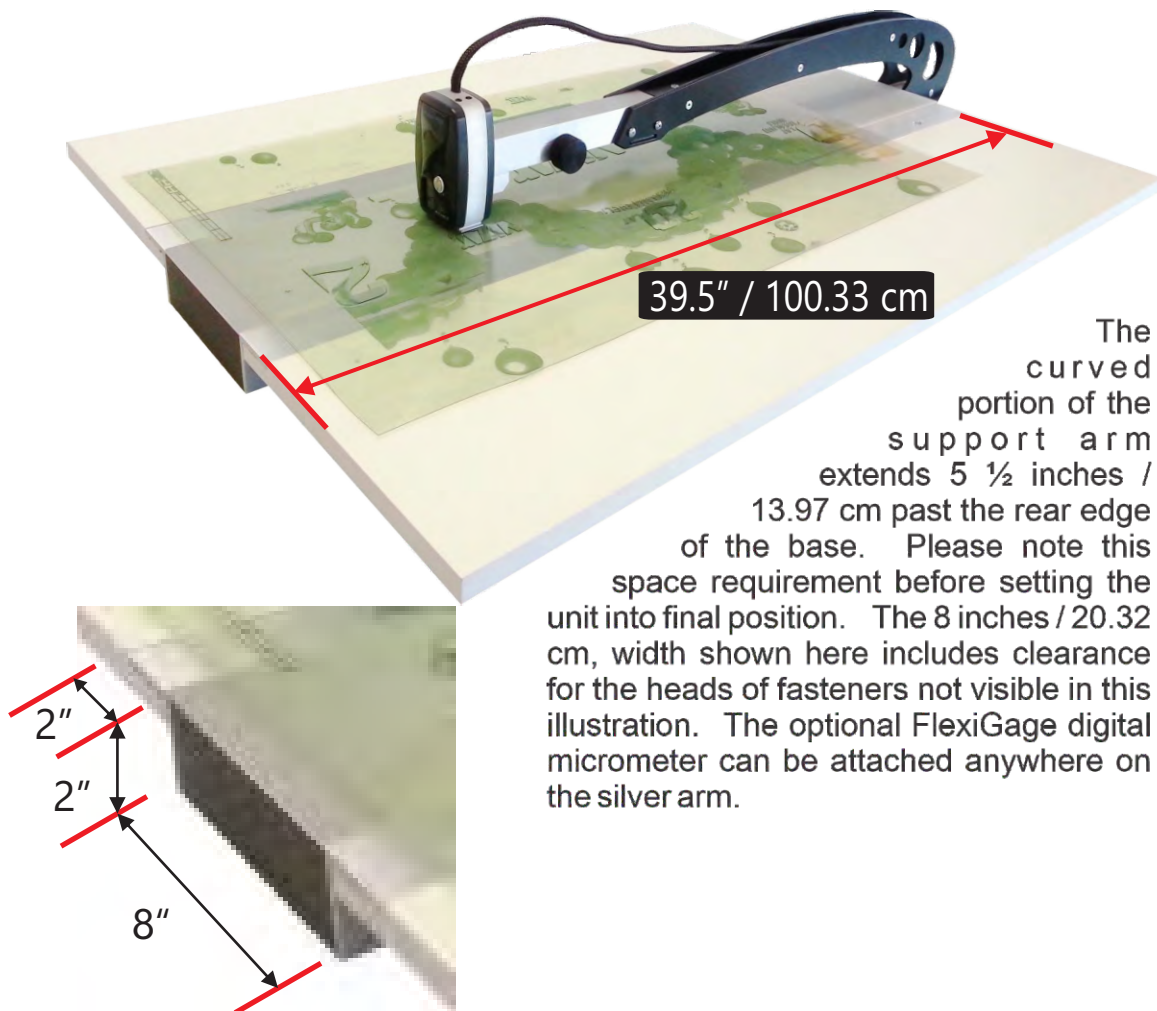


BetaFlex Pro XXL Long Arm Adaptor & System

The BetaFlex Pro XXL Long Arm Option makes it possible to take plate, mask, and print measurements 30 inches / 762 mm in from the edge of the plate. It also provides a convenient mounting location for the optional FlexiGage digital micrometer.

The XXL carries the same sensor used with the standard version of the BetaFlex Pro and utilizes the same software. It is available with or without the BetaFlex Pro sensor (measuring head) as a complete system or to adapt an existing BetaFlex Pro system.

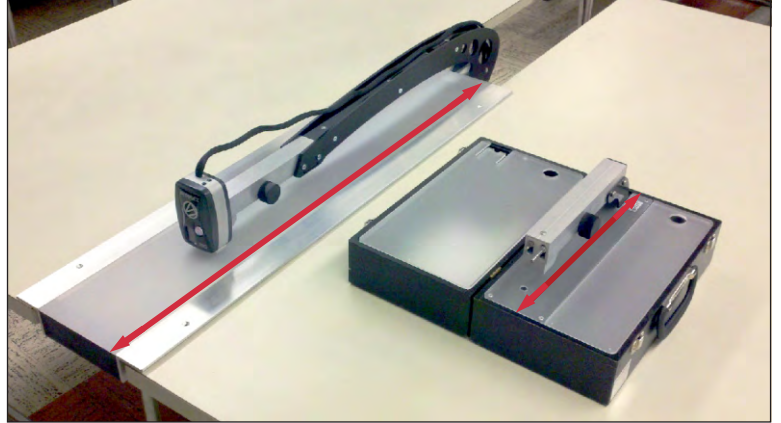
The XXL is intended to be mounted into a cutout in the worktable surface or between the edges of two existing work tables. Please note the dimensions indicated below.



The curved portion of the support arm extends 5 ½ inches / 13.97 cm past the rear edge of the base. Please note this space requirement before setting the unit into final position. The 8 inches / 20.32 cm, width shown here includes clearance for the heads of fasteners not visible in this illustration. The optional FlexiGage digital micrometer can be attached anywhere on the silver arm.

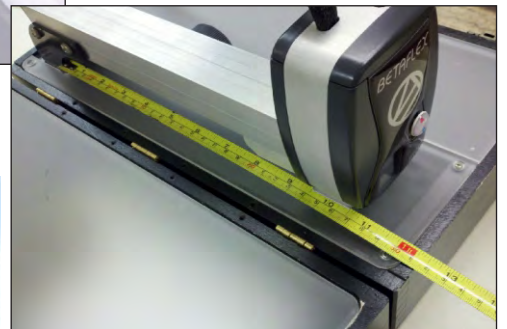
BetaFlex Pro XXL Long Arm Adaptor & System

This photo shows the XXL Long Arm Adaptor with the sensor attached and mounted between two work tables. The BetaFlex Pro portable case is shown alongside it.



The 30 inch / 76.2 cm. reach of the XXL is shown here, compared to the 10 inch / 25 cm. capacity of the arm in the portable case.

Transmission mode measurements require the use of either the case or the XXL adaptor.



Transmission light source from underside of the XXL Adaptor Arm

BetaFlex Pro XXL Adaptor Arm Shown Unmounted and Without Measuring Head / Sensor

BetaFlex Pro XXL Long Arm Adaptor & System

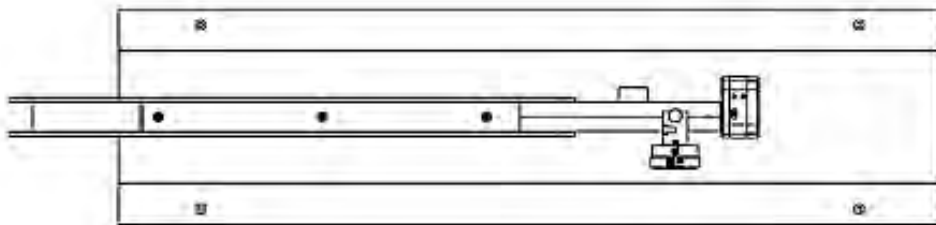
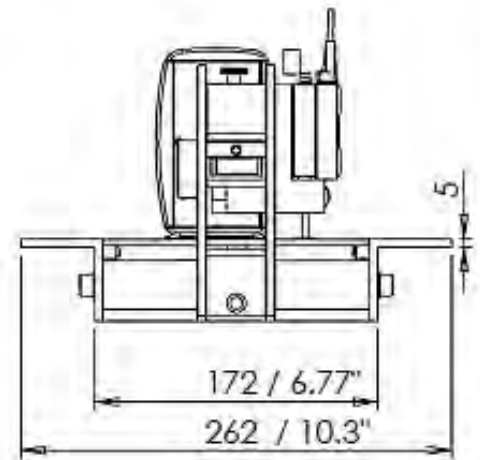
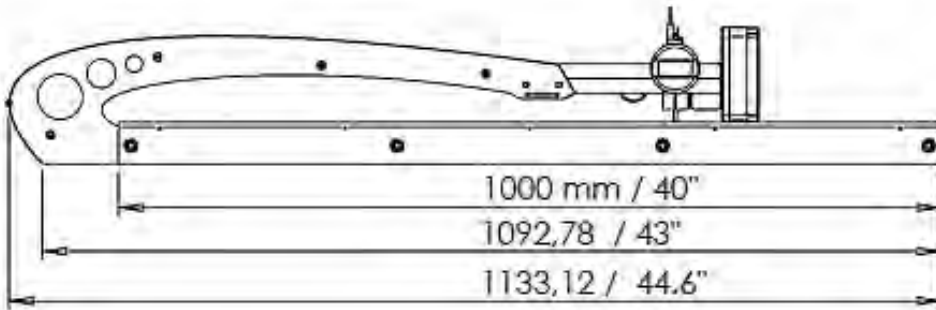
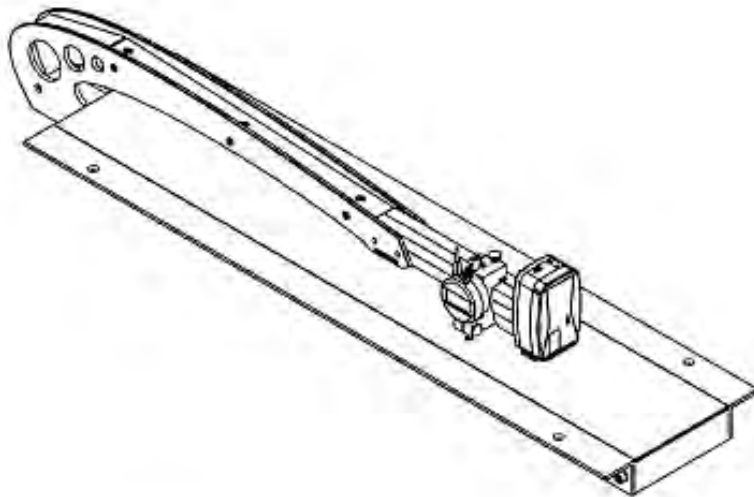
The optional FlexiGage digital micrometer is shown mounted on the arm of the XXL Adaptor. A USB cable controls the gage and transfers the data to the Betaflex PRO software. It is never necessary to press the buttons or see the display on the gage itself.

The FlexiGage can also be retrofitted to your existing micrometer table.



Two views of the XXL device show it mounted between two free-standing tables. An alternative mounting arrangement can be made by cutting a recess into an existing table or building up the work surface on either side.





weight approx 18 kg / 39.7 lbs.