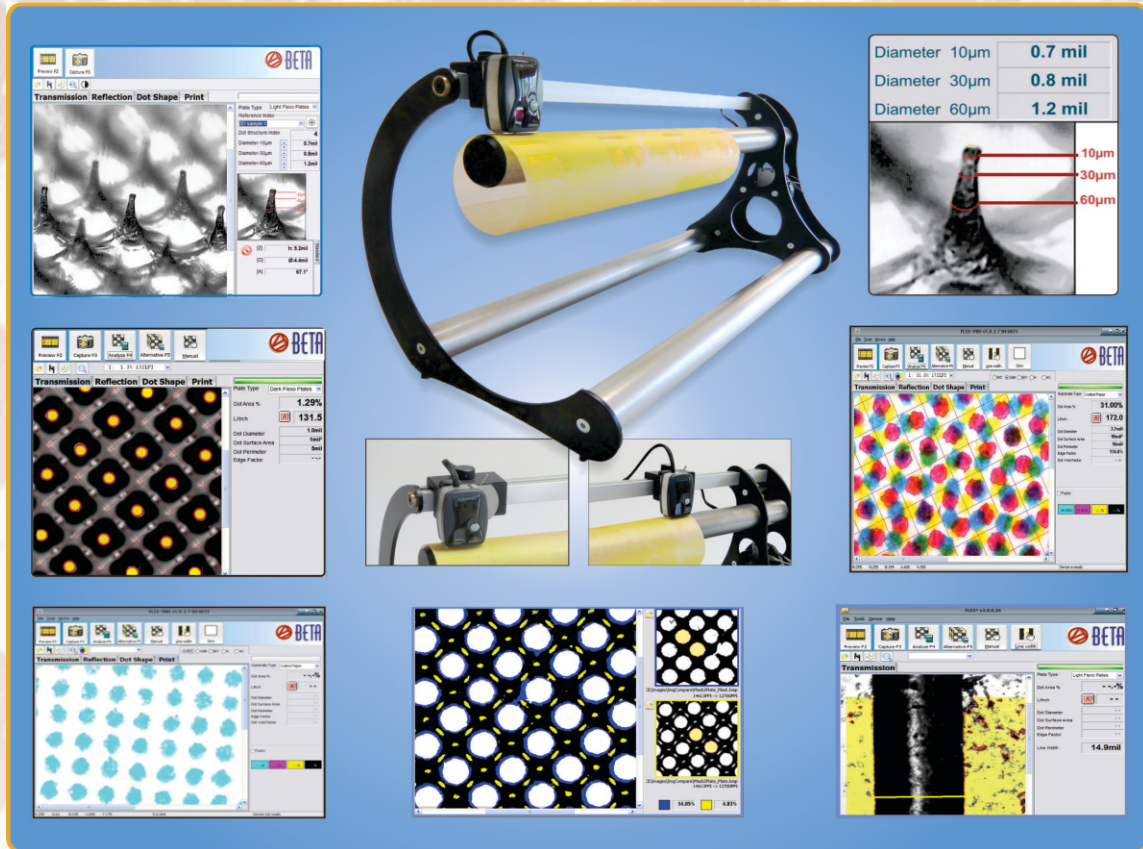


# BetaFlex PRO

## Plate & Image Analyzer

# Sleeve System

Advanced Flexo Image Analysis for Sleeved Plates and In-The-Round (ITRS) Systems



## Add The Benefits of BetaFlex Pro to the Efficiency of Sleeve Production

Add the sleeve adapter to the BetaFlex Pro and conveniently measure the widest range of sleeves

Dual transmission illuminators produce sharp, high-contrast images for accurate halftone dot analysis

### Illumination:

- Two collimated transmission light sources, one near each end of the sleeve support
- White, Red, Green, and Blue reflection light sources mounted within the sensor
- 3D mode illuminator mounted within the sensor

- Provides precise alignment of sensor to sleeve surface
- Convenient working position on standard table height, Includes powered USB hub and cable management

### Format:

Cut off: 12" to 49" (300mm - 1250mm)  
Diameter: 3.75" to 15.7" (95.5mm - 398mm)  
Width: Maximum 80" (2000mm)

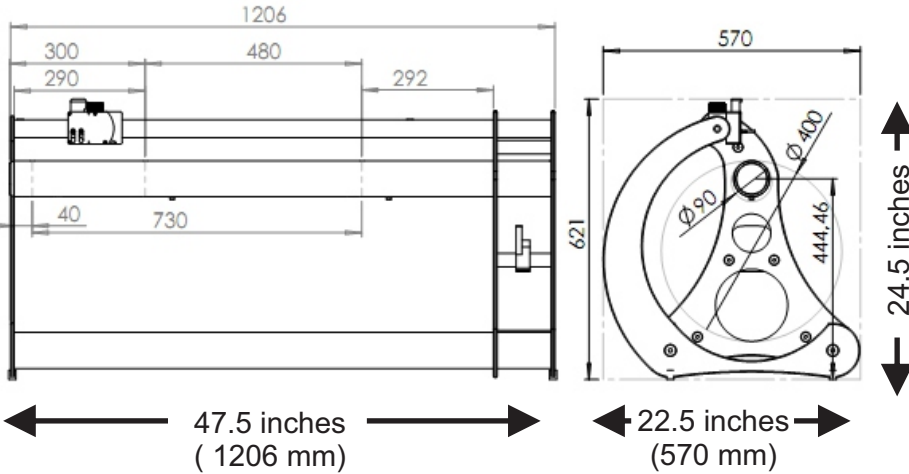
# BetaFlex PRO

## Plate & Image Analyzer

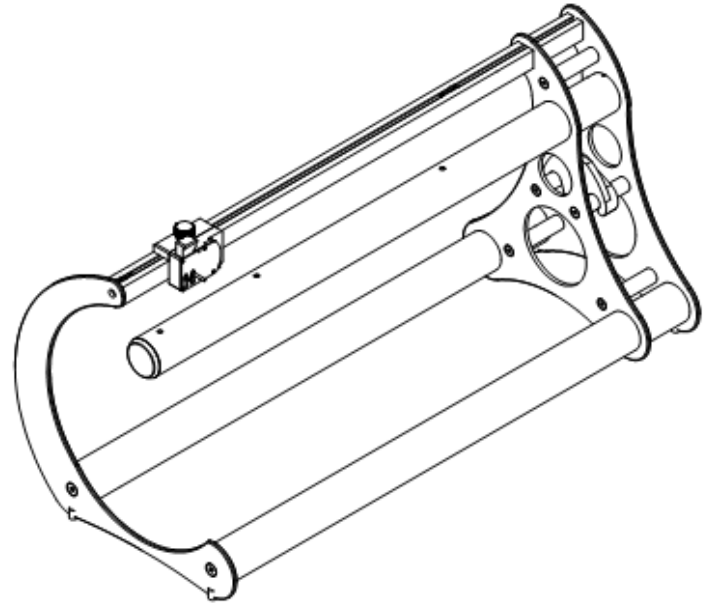
Advanced Flexo Image Analysis for Sleeved Plates and In-The-Round (ITRS) Systems

# Sleeve System

## Dimensions and Layout



- Provides Precise Alignment of Sensor to Sleeve Surface
- Convenient Working Position on Standard Table Height
- Includes Powered USB Hub and Cable Management



 **BETA INDUSTRIES**  
The Quality Control Company

Beta Screen Corp., 707 Commercial Ave., Carlstadt, NJ 07072, USA  
Tel: 800-272-7336, 201-939-2400, [www.betascreen.net](http://www.betascreen.net), [sales@betascreen.net](mailto:sales@betascreen.net)

Flexo Analyzers & Calibration, Densitometer-Spectros, Color Viewers, Magnifiers, Testing Equipment