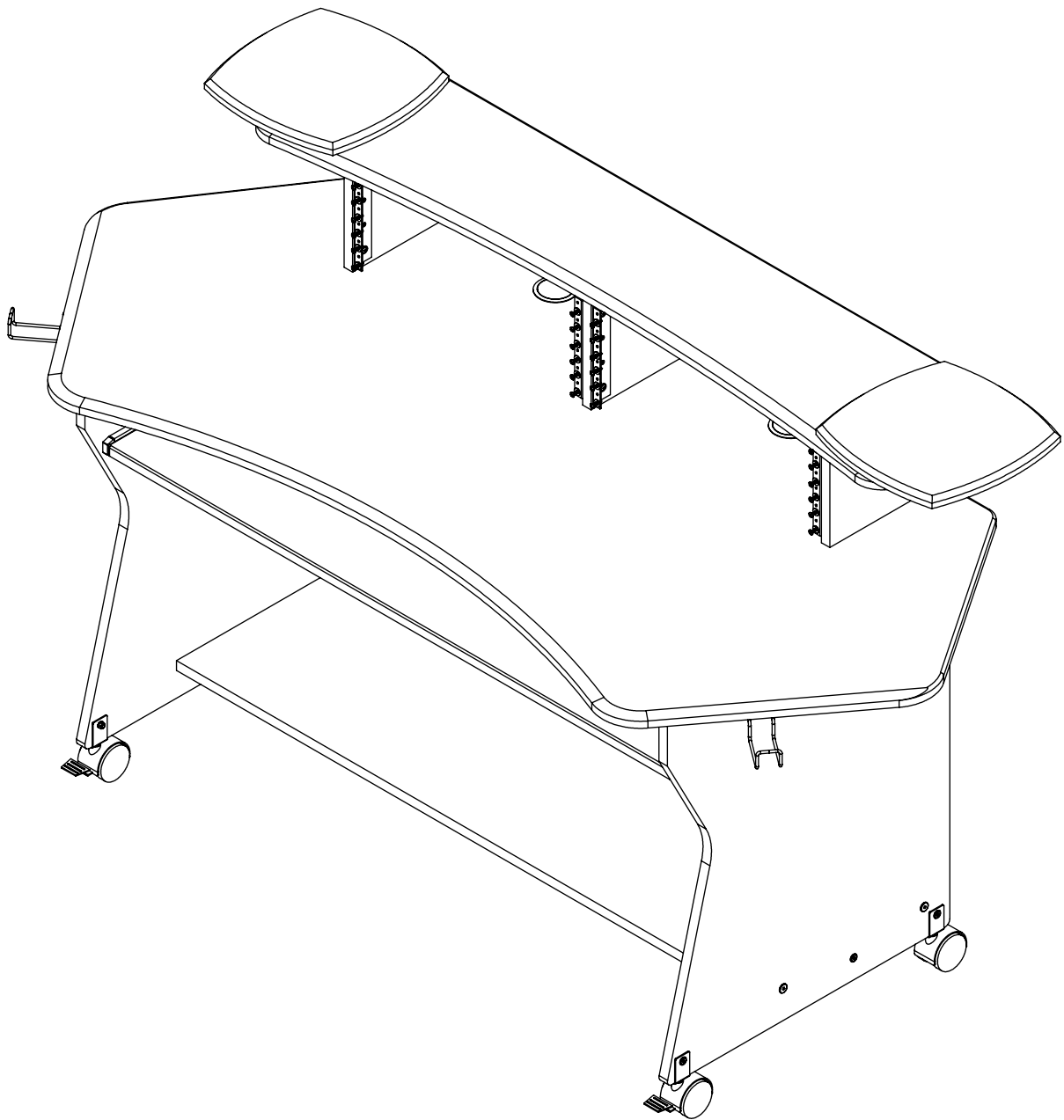
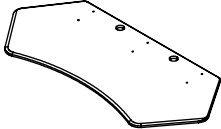
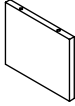

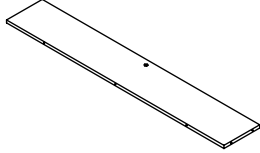
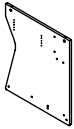
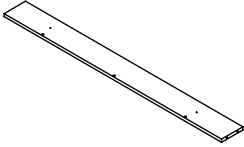
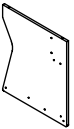
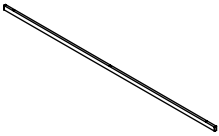
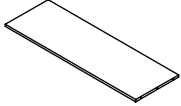
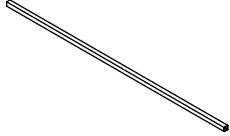
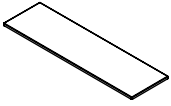

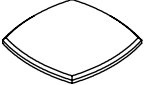
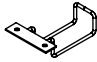
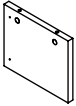
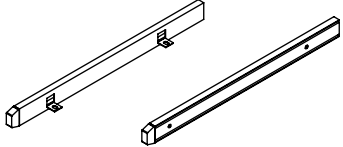
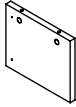




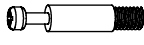



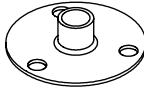
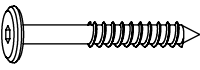
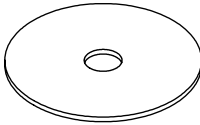
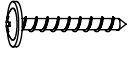
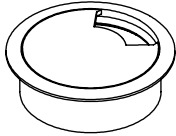



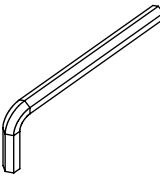

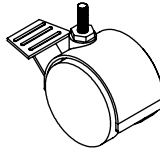

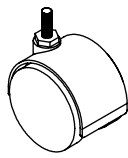

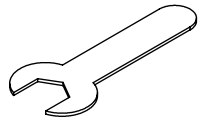

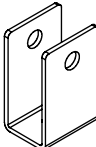
# 1IM001/1IM002/1IM003



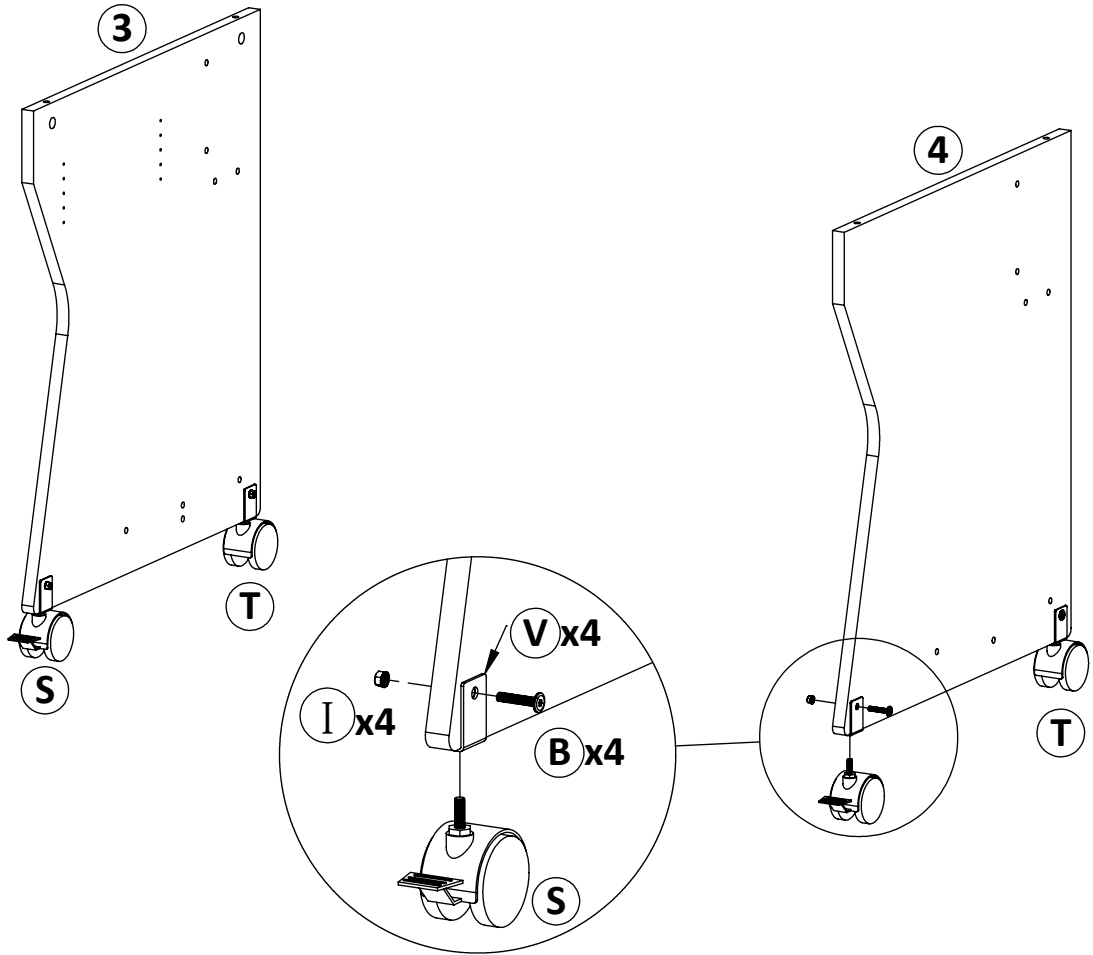
# PARTS LIST

<b>1 x1</b>		<b>10 x1</b>	
<b>2 x1</b>		<b>11 x1</b>	
<b>3 x1</b>		<b>12 x1</b>	
<b>4 x1</b>		<b>13 x1</b>	
<b>5 x1</b>		<b>14 x1</b>	
<b>6 x1</b>		<b>15 x2</b>	
<b>7 x2</b>		<b>16 x2</b>	
<b>8 x1</b>		<b>17 x1</b>	
<b>9 x1</b>		<b>18 x4</b>	

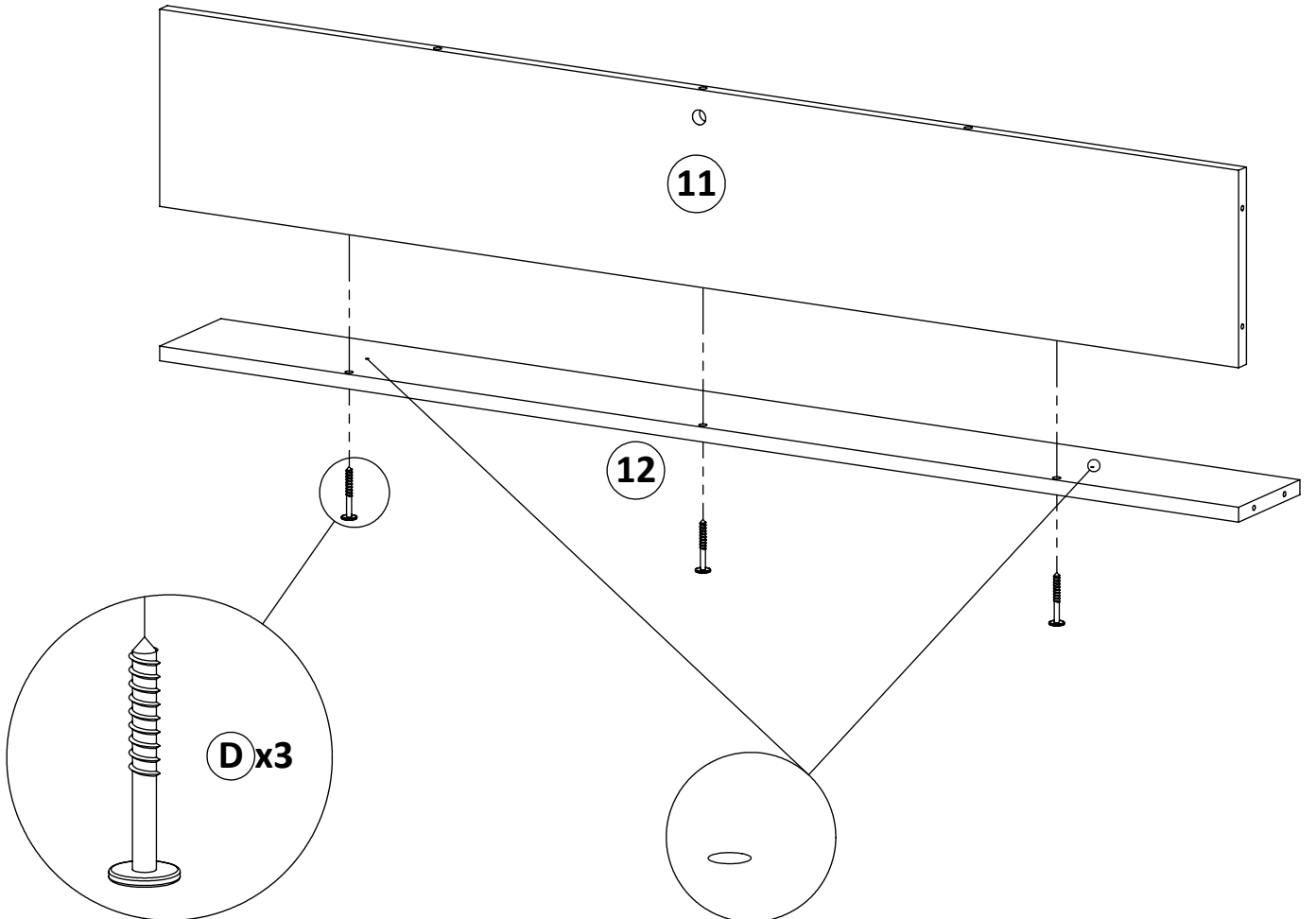
# PARTS LIST

<b>A</b>  <b>M6x38MM</b>	<b>2pcs</b>	<b>L</b> 	<b>11pcs</b>
<b>B</b>  <b>M6x30MM</b>	<b>4pcs</b>	<b>M</b> 	<b>11pcs</b>
<b>C</b>  <b>M6x25MM</b>	<b>2pcs</b>	<b>N</b> 	<b>2pcs</b>
<b>D</b>  <b>M6x50MM</b>	<b>21pcs</b>	<b>O</b> 	<b>2pcs</b>
<b>E</b>  <b>M4x30MM</b>	<b>3pcs</b>	<b>P</b> 	<b>2pcs</b>
<b>F</b>  <b>M4x12MM</b>	<b>8pcs</b>	<b>Q</b>  <b>M5x19MM</b>	<b>24pcs</b>
<b>G</b>  <b>M4x12MM</b>	<b>14pcs</b>	<b>R</b> 	<b>1pcs</b>
<b>H</b>  <b>3.5x12MM</b>	<b>6pcs</b>	<b>S</b> 	<b>2pcs</b>
<b>I</b> 	<b>4pcs</b>	<b>T</b> 	<b>2pcs</b>
<b>J</b> 	<b>2pcs</b>	<b>U</b> 	<b>1pcs</b>
<b>K</b> 	<b>4pcs</b>	<b>V</b> 	<b>4pcs</b>

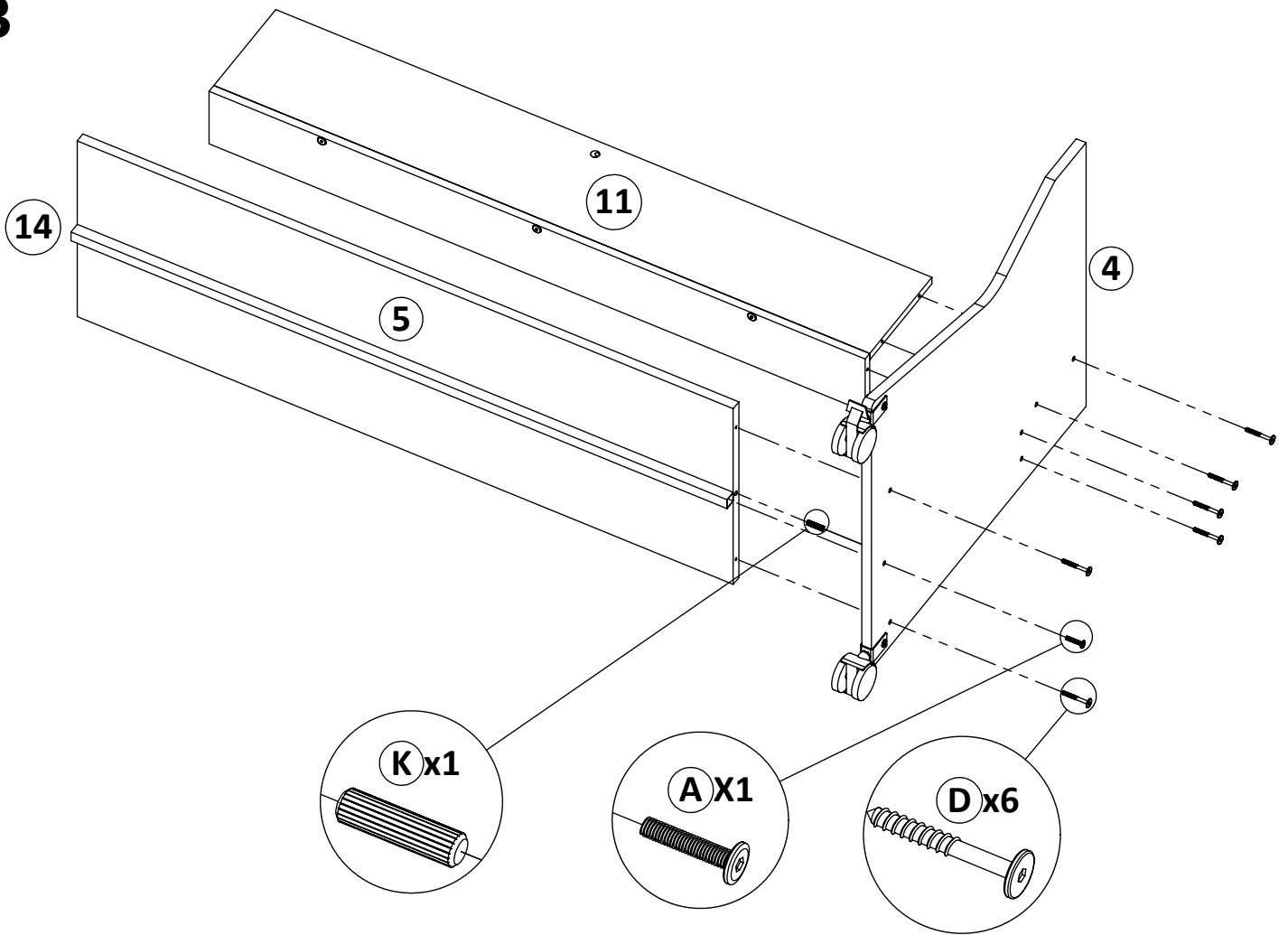
**1**



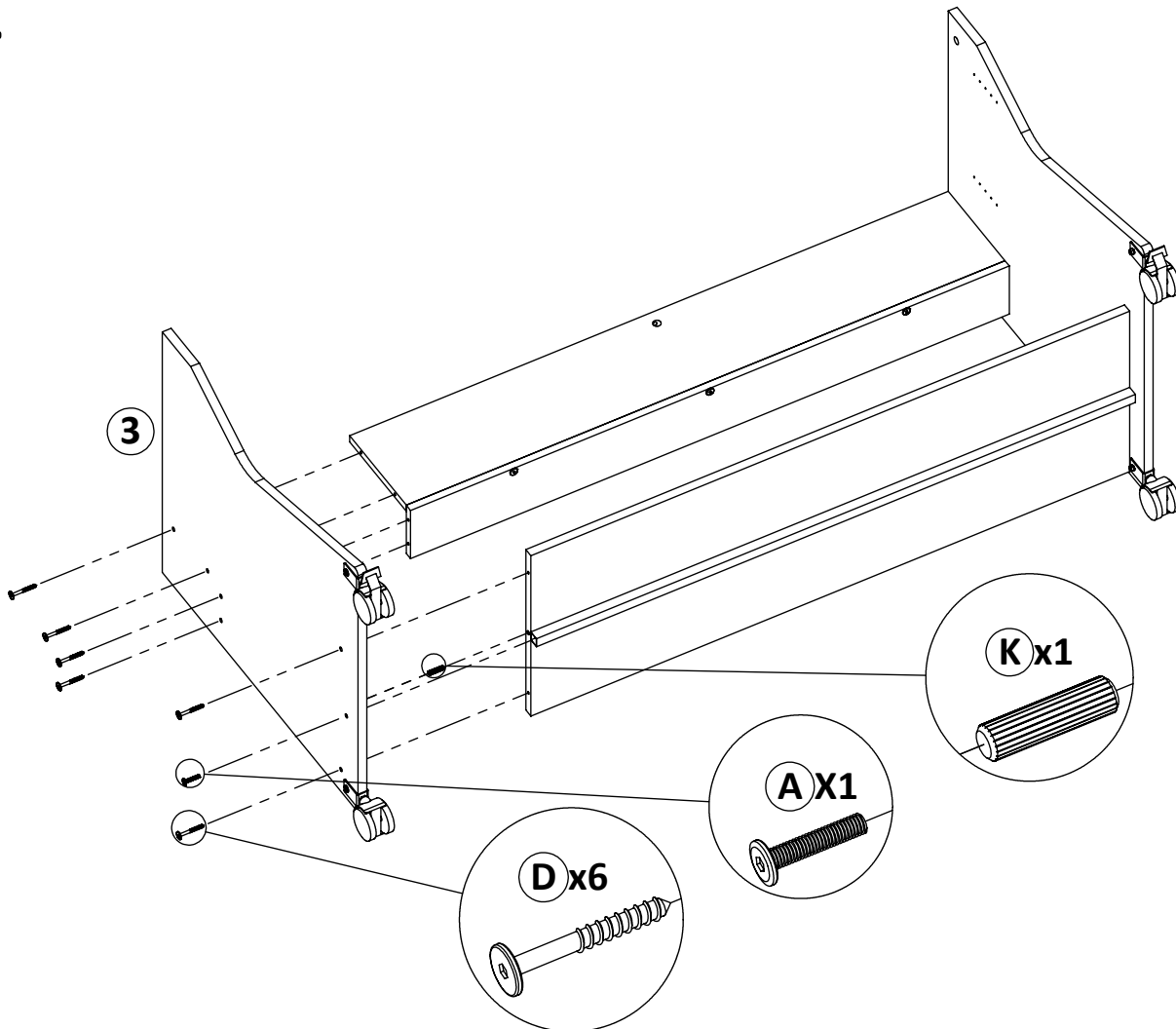
**2**



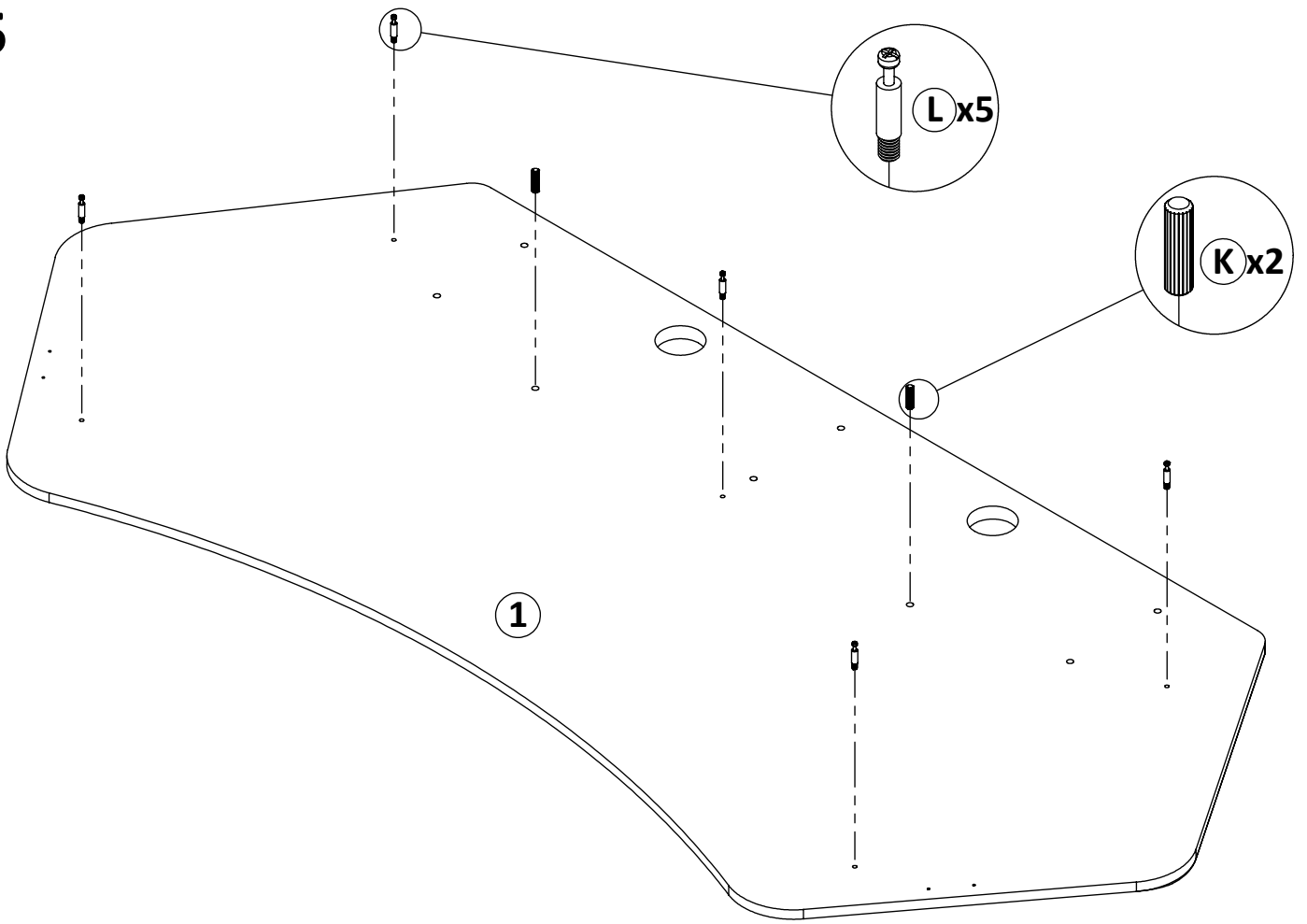
3



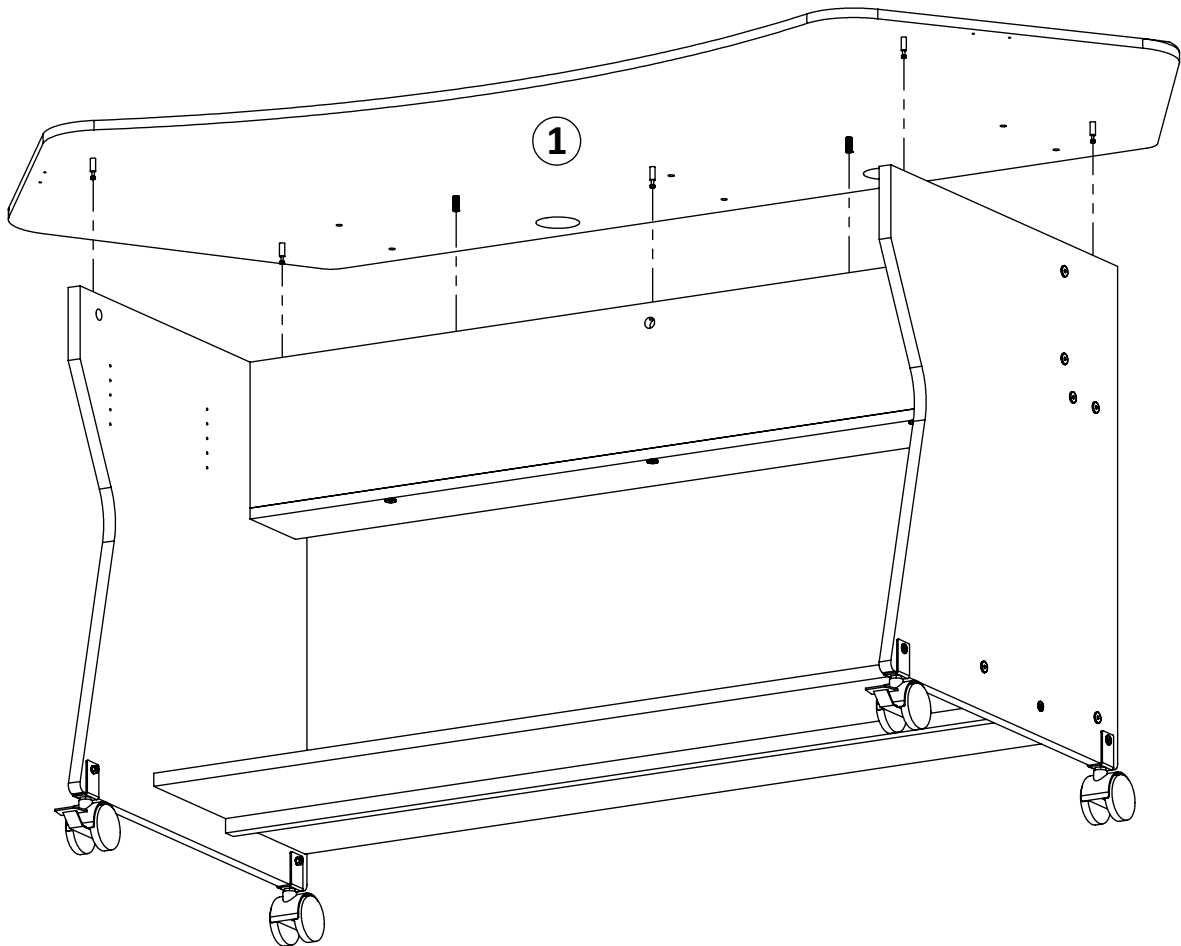
4



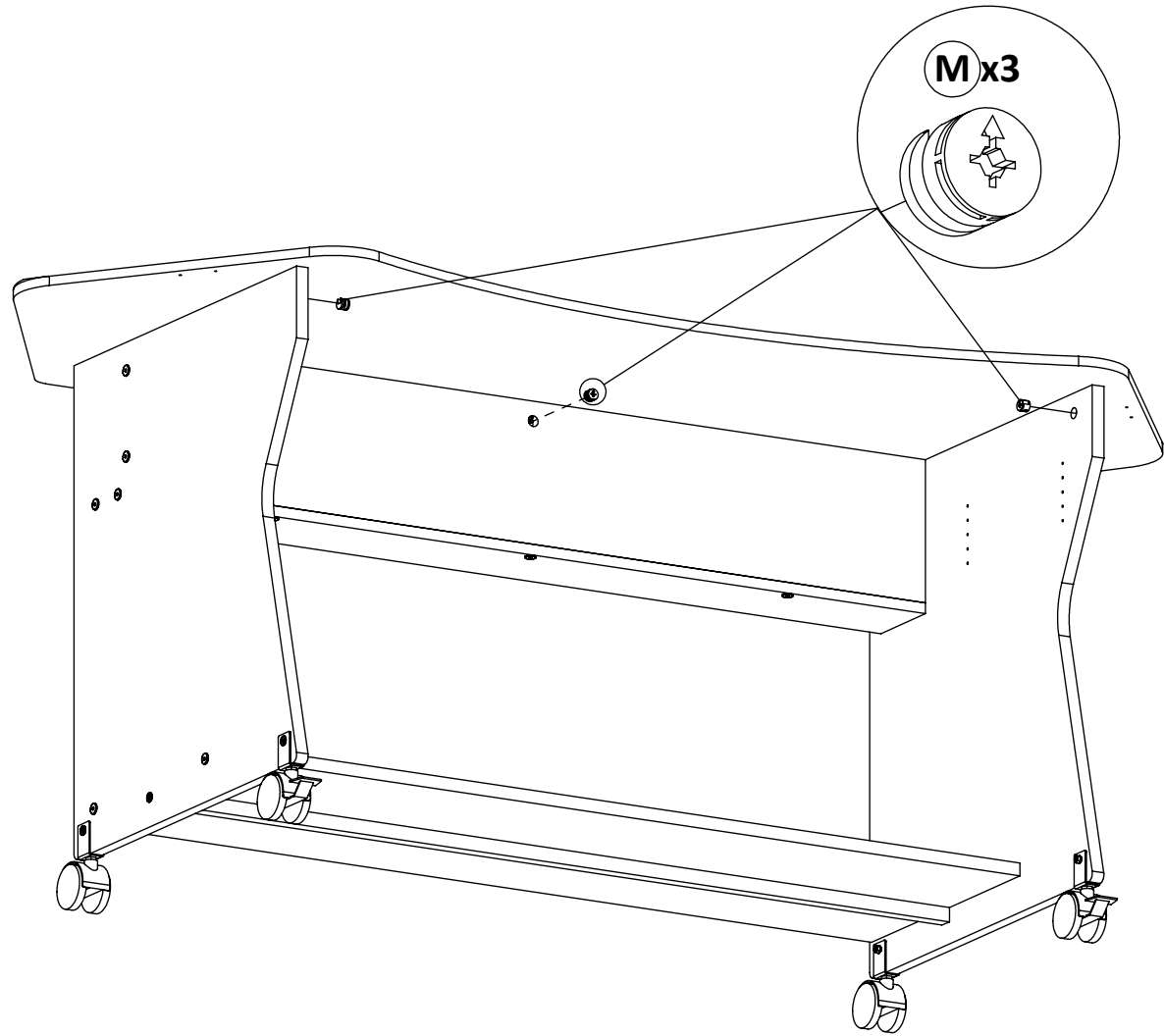
5



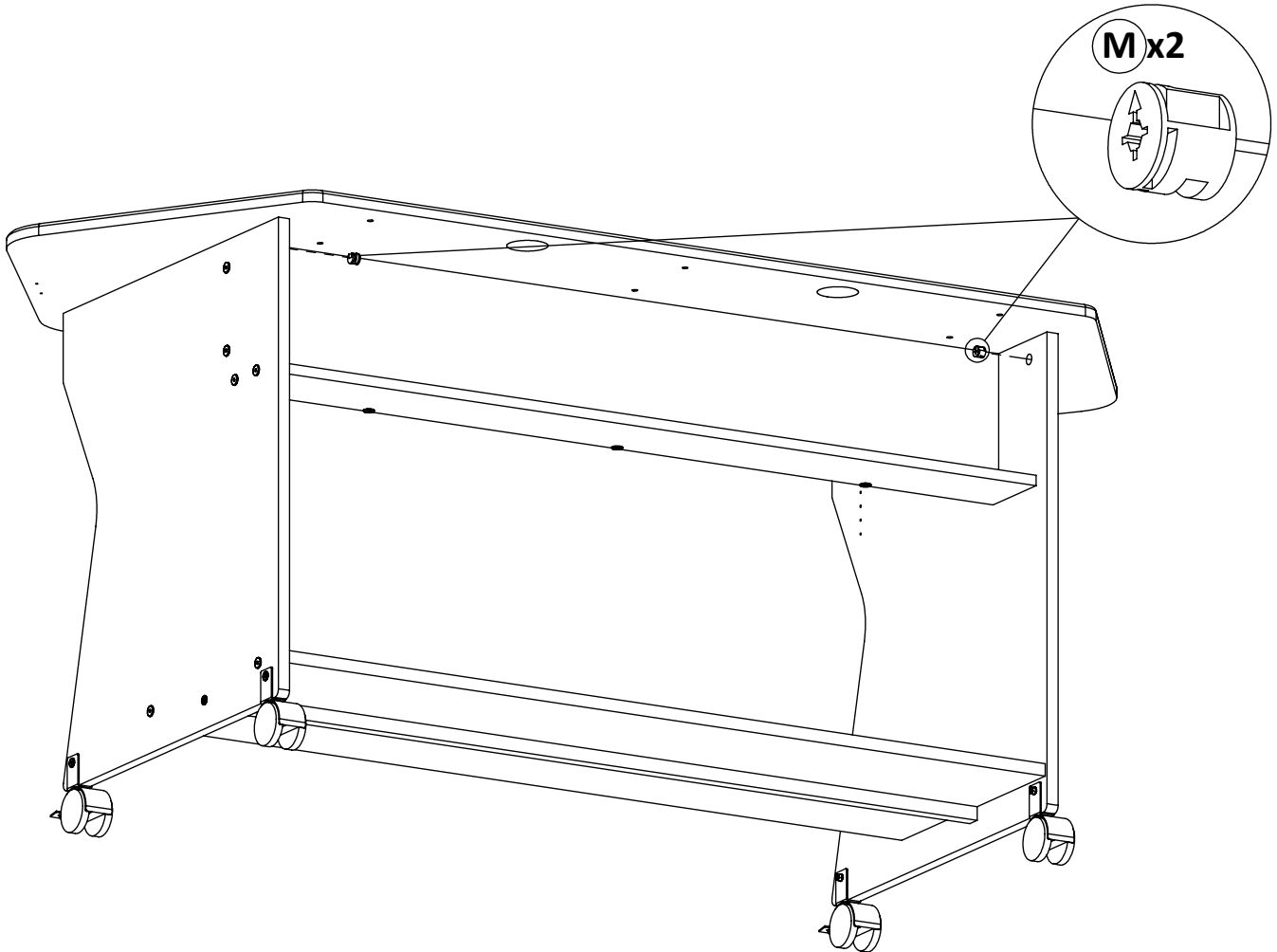
6



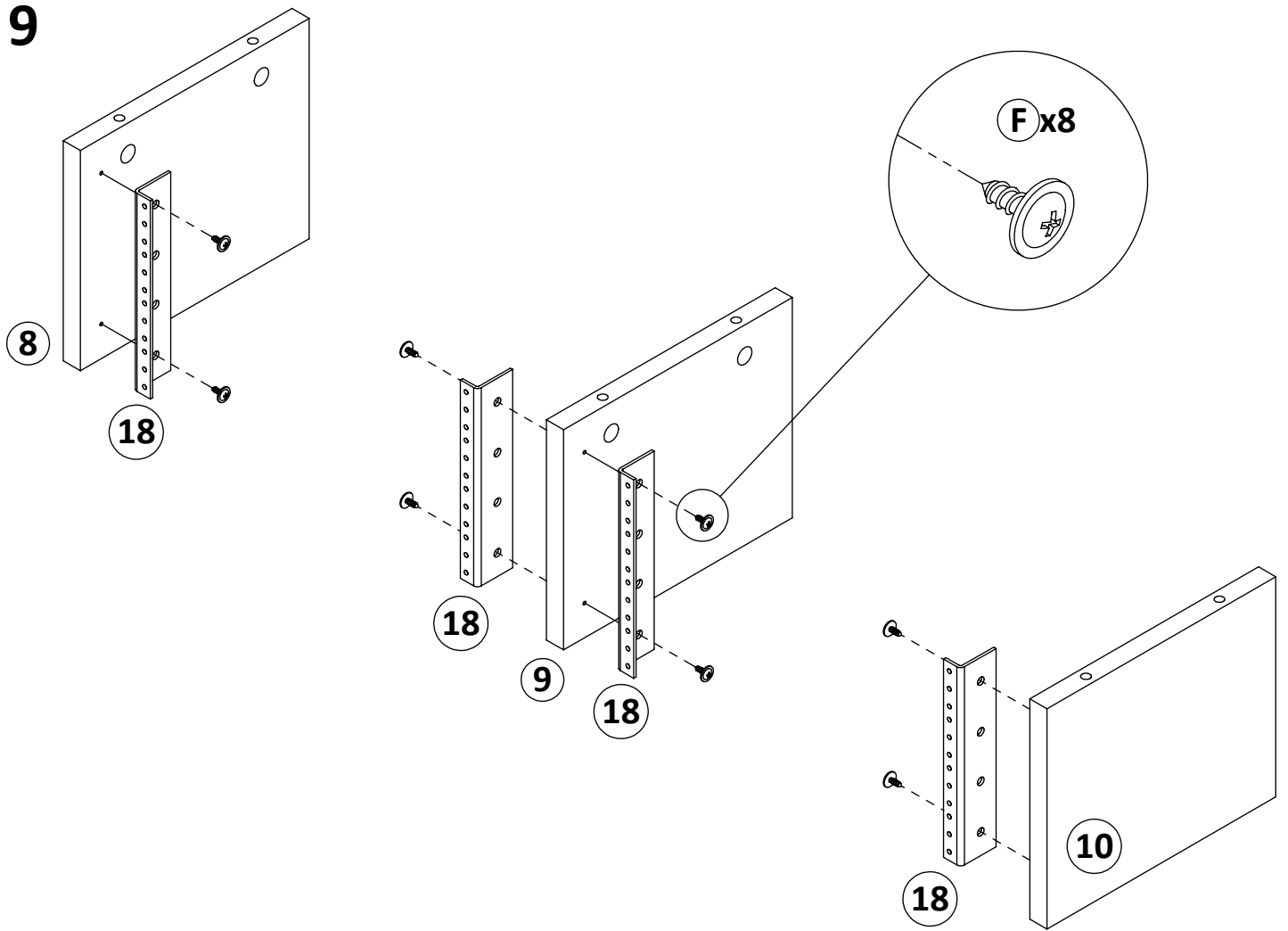
7



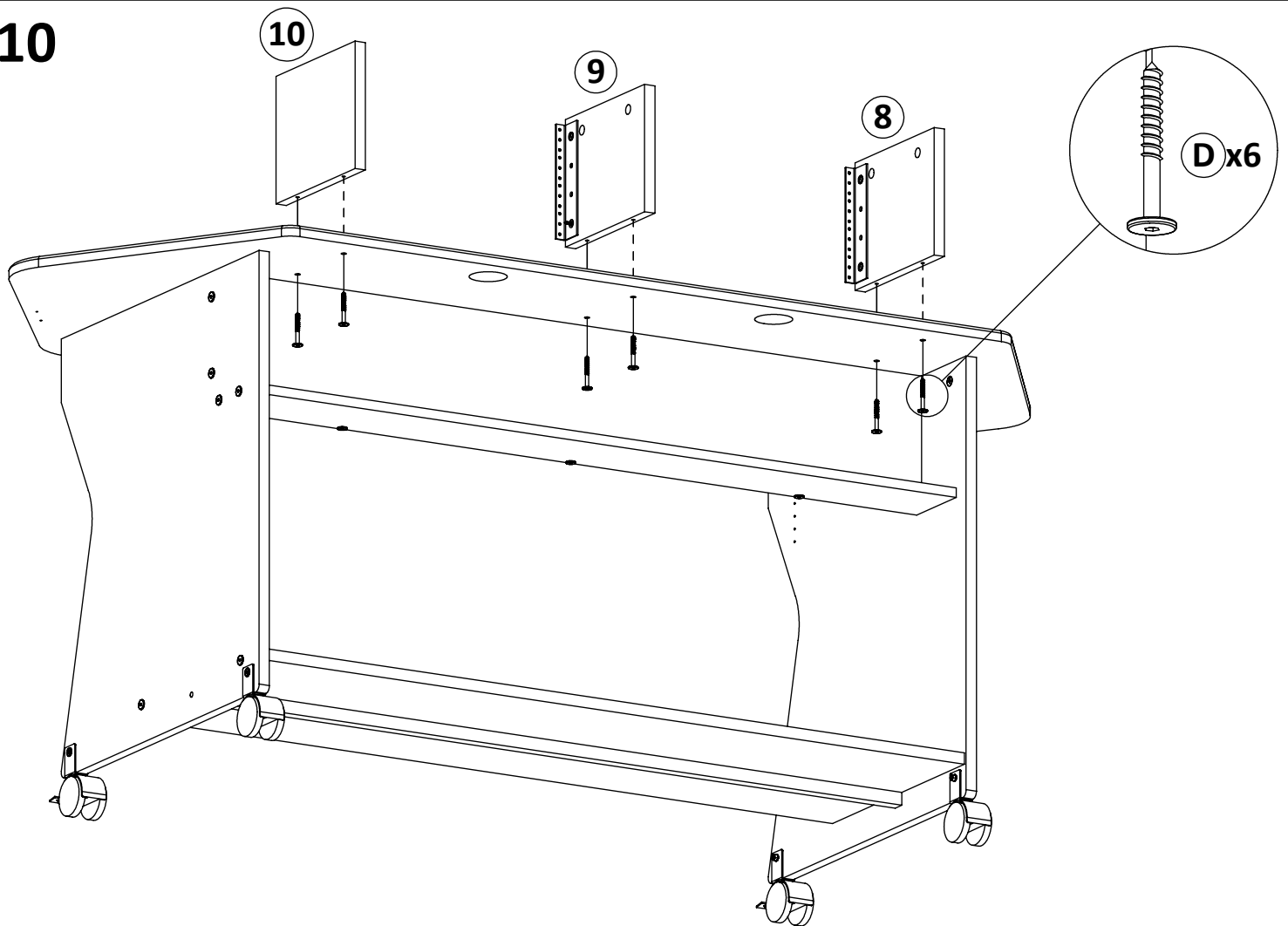
8



9

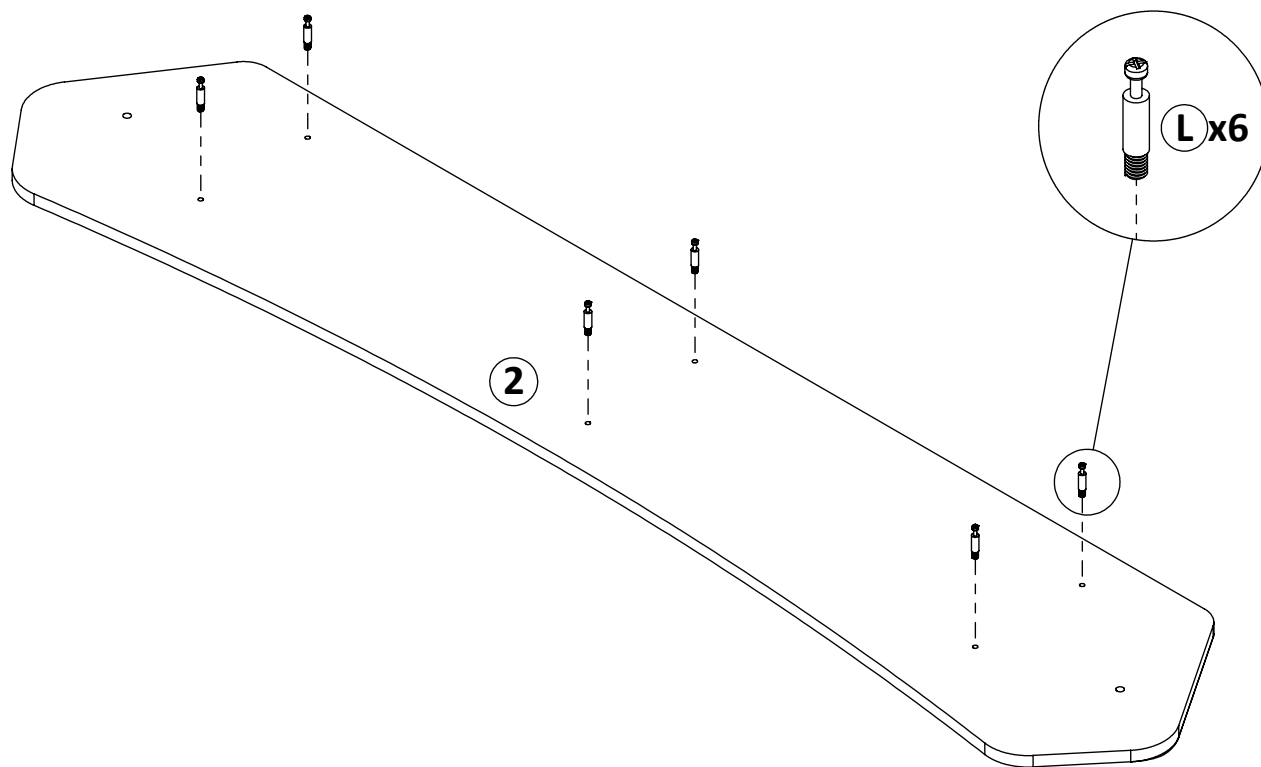


10



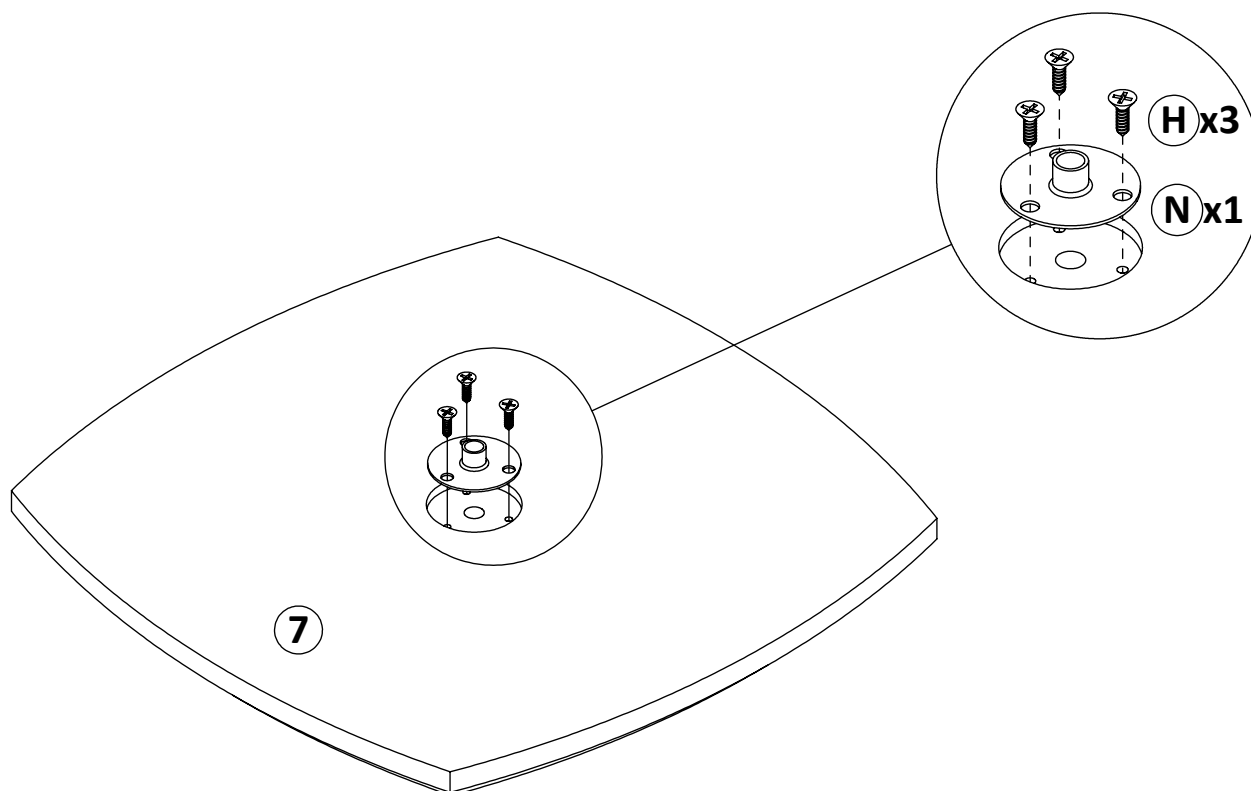


**11**

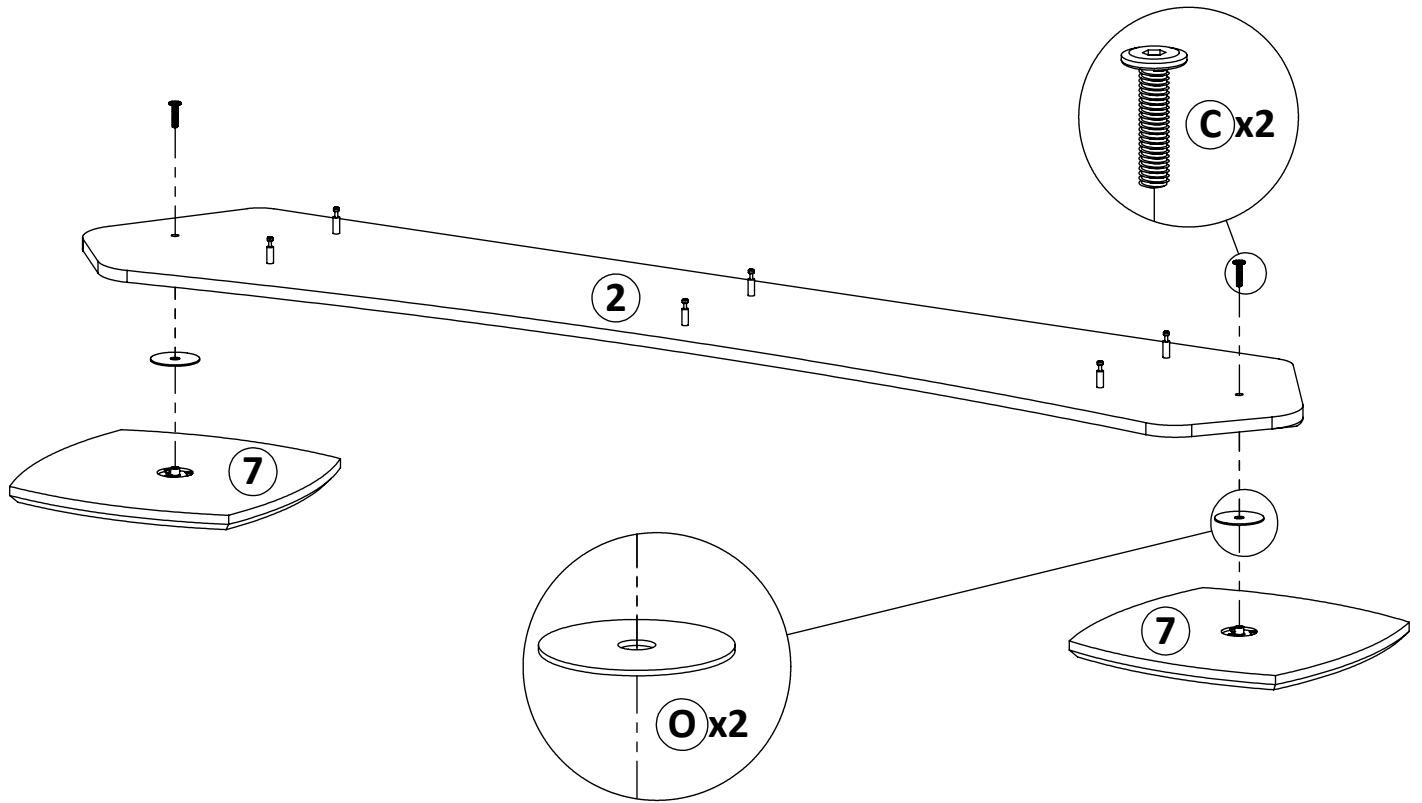


**12**

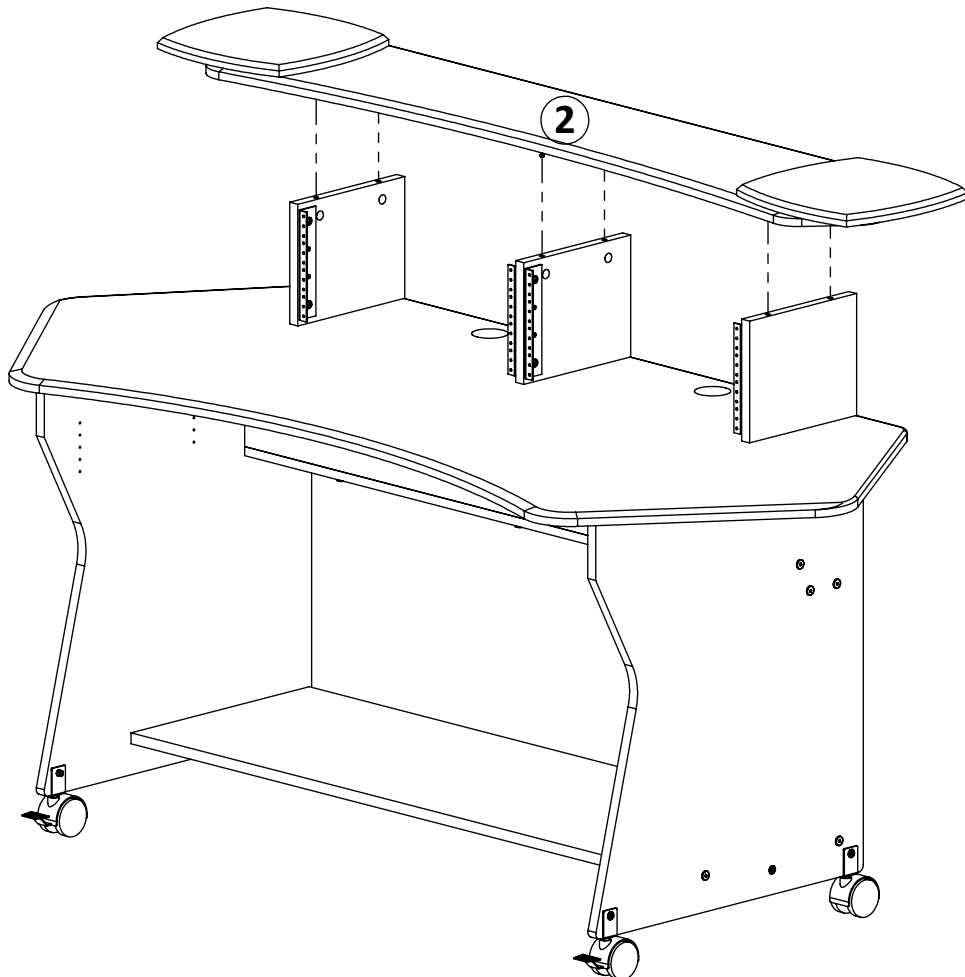
**X2**



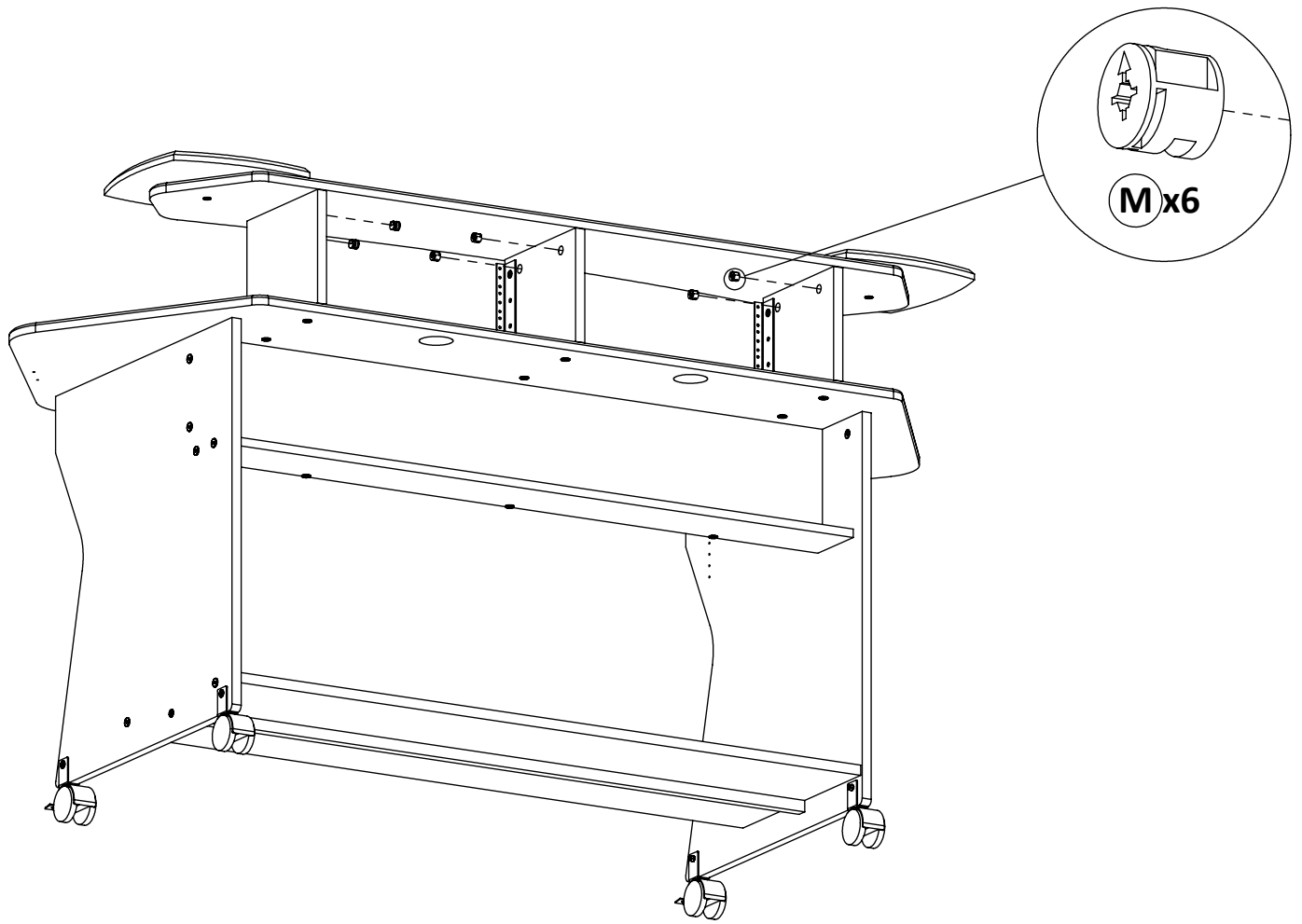
13



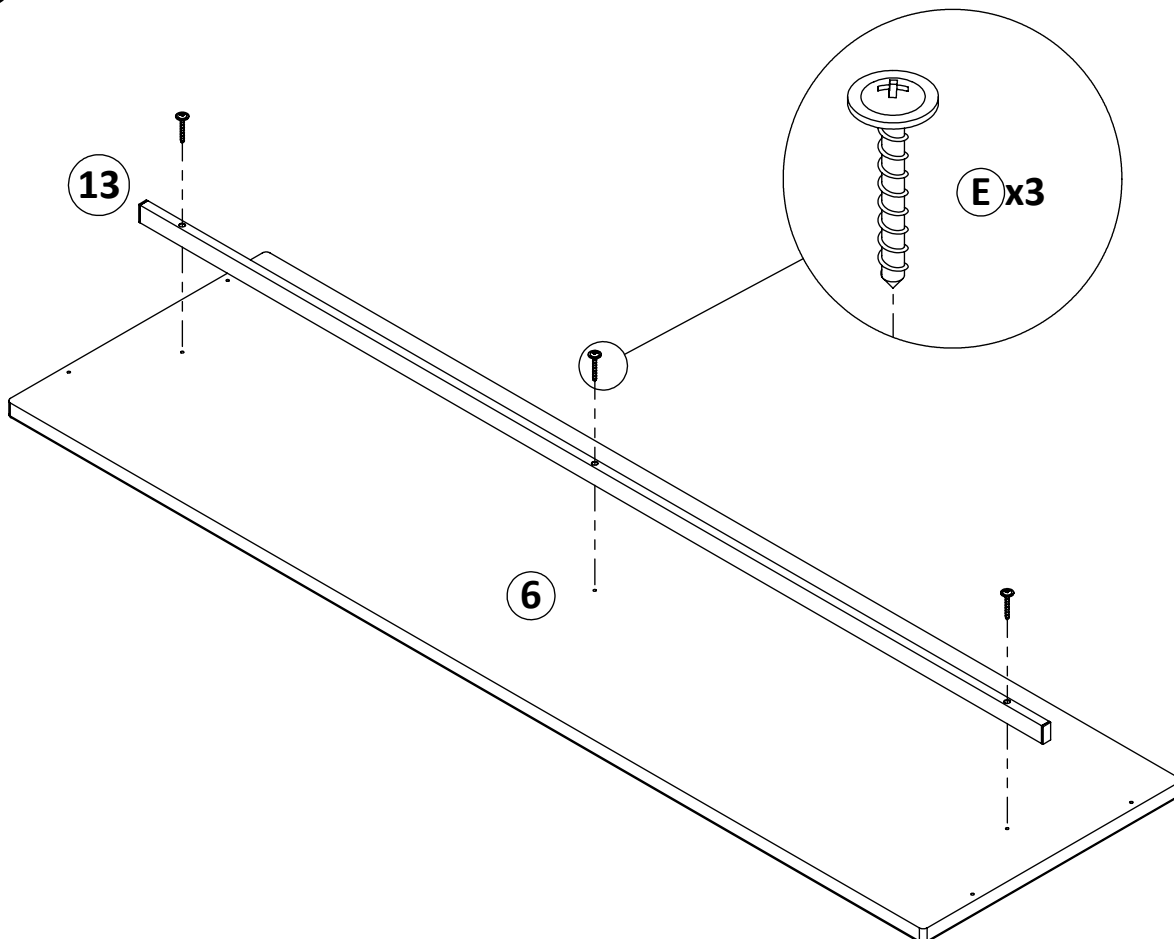
14



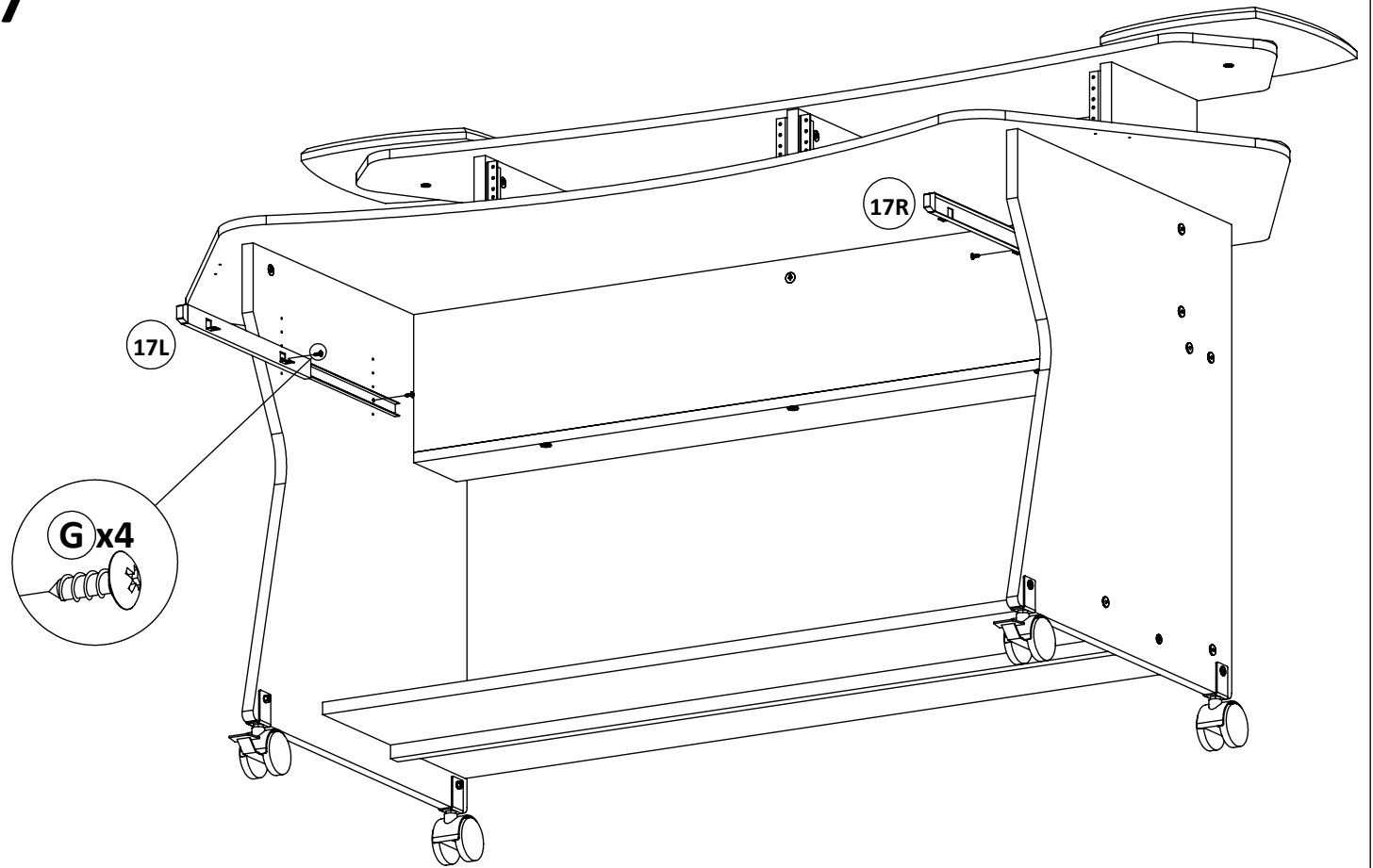
15



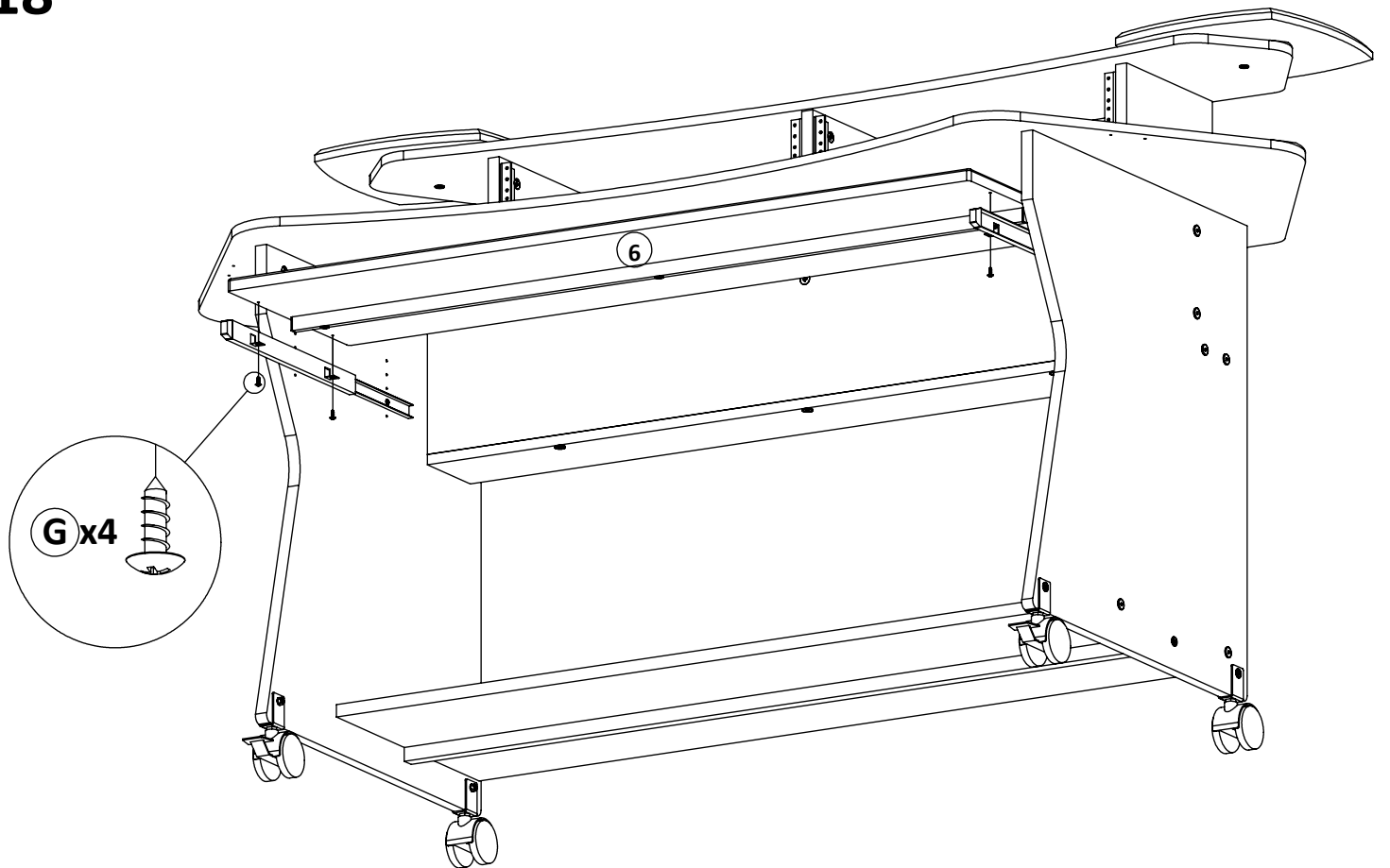
16



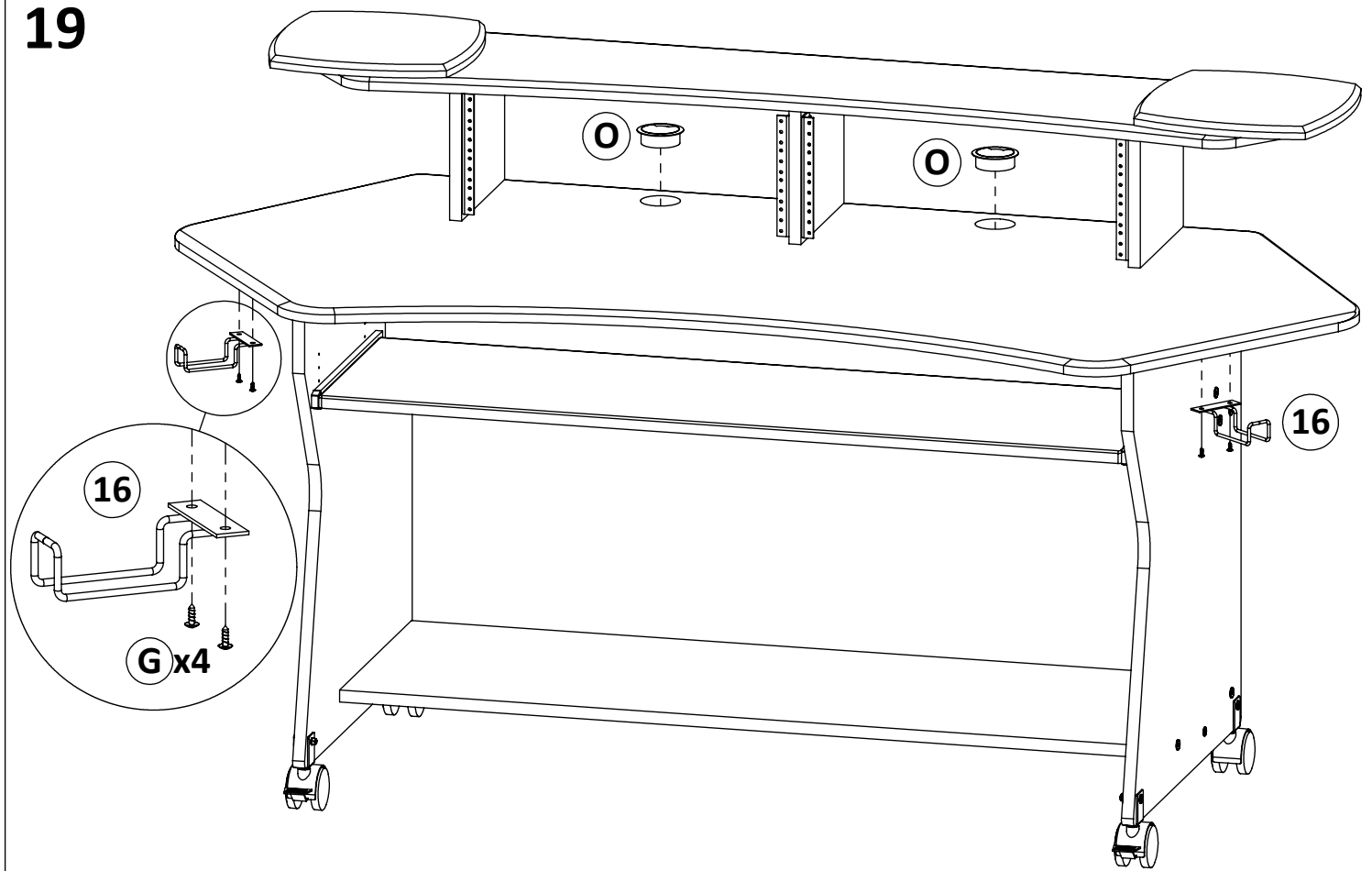
17



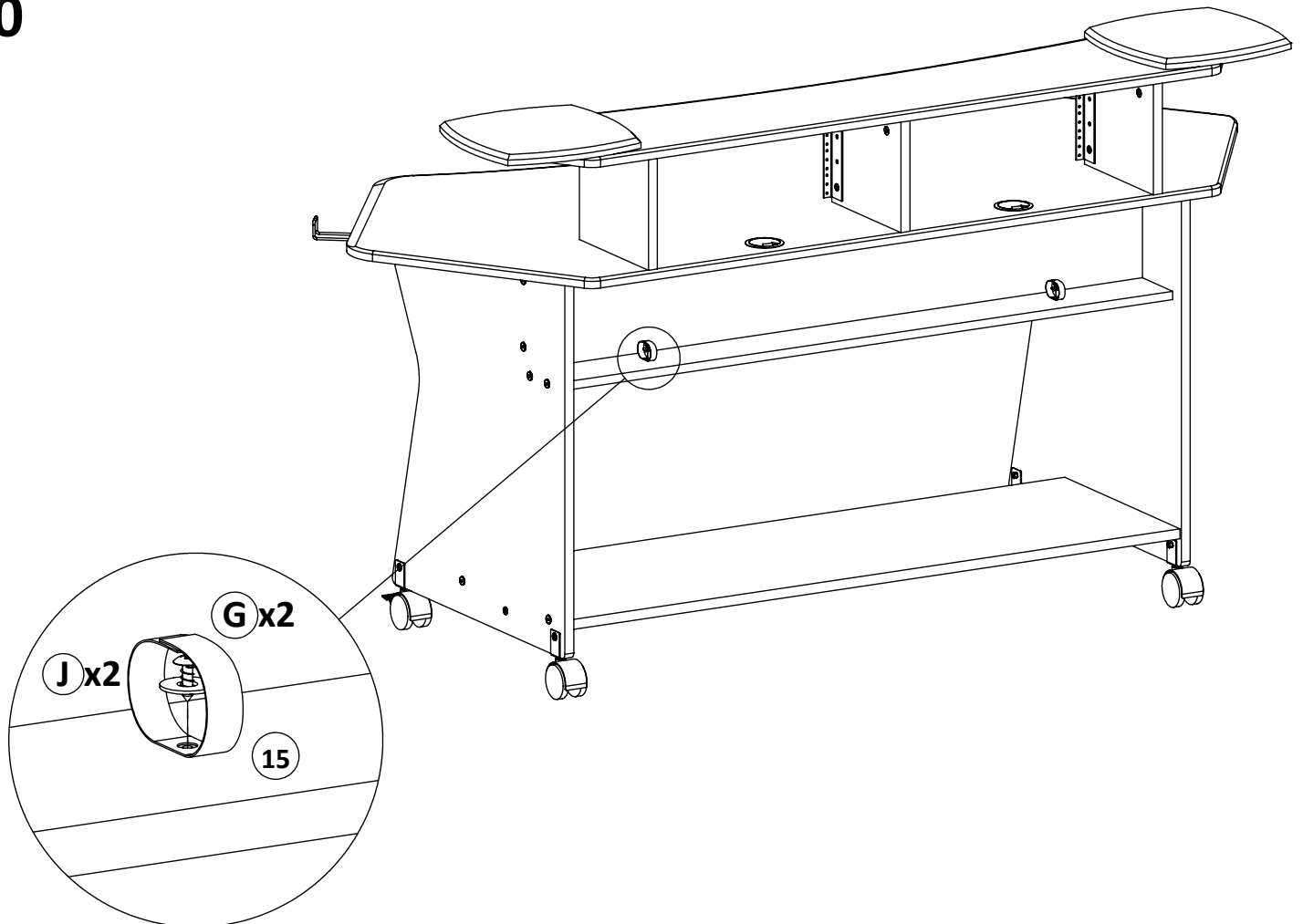
18



19



20



21

