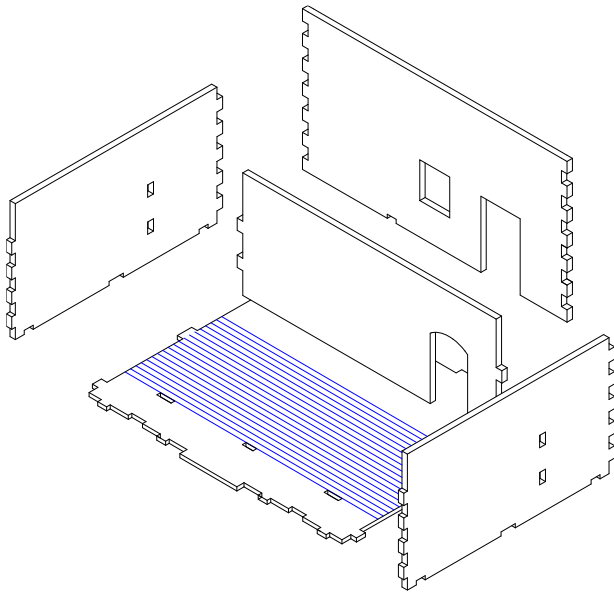


# Chapellerie / Hatter Instructions

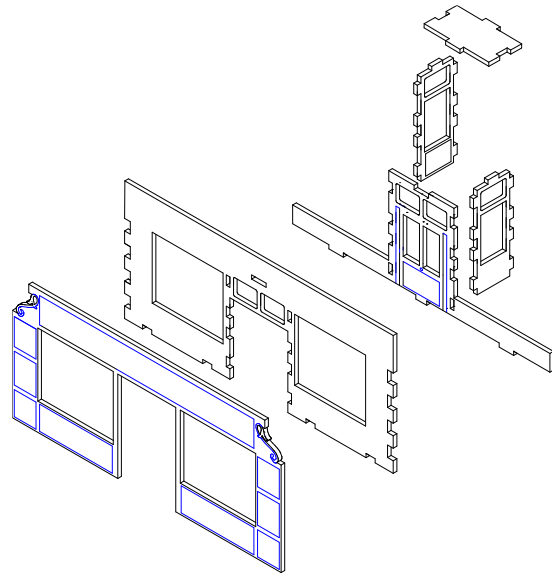
Always "dry run" parts before gluing with a woodwork quality PVA.

Sort the 3mm finger jointed walls into upper and lower storeys as each level is of a different height.

Start with the ground floor and place the MDF on a flat surface.



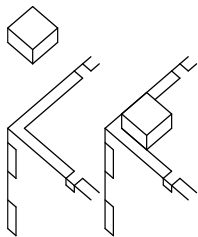
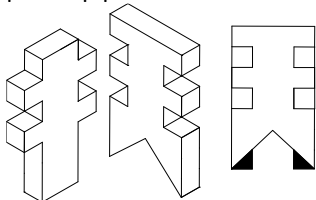
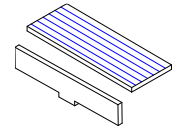
Select the jointed long interior wall and glue to both sides, making an "H" shape. Glue to the base and then fix the rear 3mm wall.



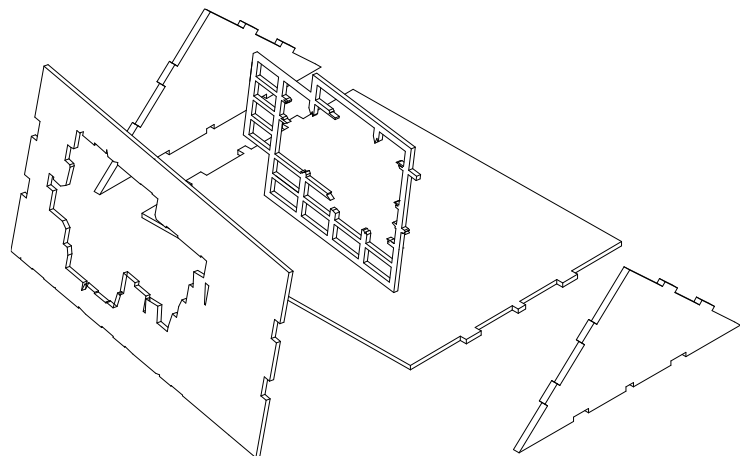
Complete the front window sub-assembly and glue this in place to the ground floor structure. **LEAVE THE FRONT FAÇADE NAMED PIECE OFF AT THIS STAGE.**

Assemble the chimney brickwork and roof then set aside to dry. Once dry, trim the shaded areas with a craft knife. Then add the large, then smaller capping tiles and plastic pipe.

Fix the window display supports inside the front wall and locate in the floor recess. Glue on the "planked" shelf. Repeat for each side.



Turn upper storey floor over and glue on corner blocks. Take care to only glue to the 2mm floor leaving the walls free. This only needs to be done for the back of the building



Glue the two gable ends to the roof floor and add the roof section with the large hole. Glue in the damaged woodwork **BEFORE** gluing on the rear roof section. **TIP:** You may want to paint inside the roof before gluing the second roof section in place. Cut the plastic angle strip into 10mm pieces and glue along the apex as capping tiles.

It is recommended that you fill and texture the walls prior to painting. Once painted, glue in the windows and doors (window sills or shutters) ensuring they fall flush with the inside of the walls. Please view the detailed pictures on the website for further guidance. **TIP:** Fit the front façade after painting.

Thank you for buying this model from:

Charlie Foxtrot Models

[www.charliefoxtrotmodels.com](http://www.charliefoxtrotmodels.com)