

Pantile House 6

Instructions

Always “dry run” parts before gluing with a woodwork quality PVA.

Start with the floors and place the MDF on a flat surface.

Identify each wall and match the **asymmetric tabs** to make the assembly easier.

*** Take care not to “mirror flip” pieces that have holes cut out for the resin inserts.**



All kits with pent (single slope roof) have the convention of lining pieces being identified as follows: G = ground floor, working counter clockwise, GA, GB and GC.

1st floor and 2nd floor have had 1 or 2 engraved on the pieces rather than G.

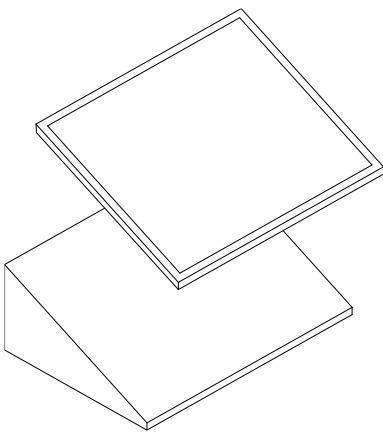
Should a piece be “missing” from the sequence, it is intentional as the component is not required in the kit.

Glue the jointed 3mm external walls to the 2mm base.

When dry, glue in the corresponding inner walls and check to ensure the walls are accurately lined up and you do not have “staggered” windows and doors.

Glue in the resin exposed brickwork pieces (if applicable for this kit) using general purpose / superglue or epoxy resin.

Glue the stonework surround to the front door, tile strips under the arches and window sills.

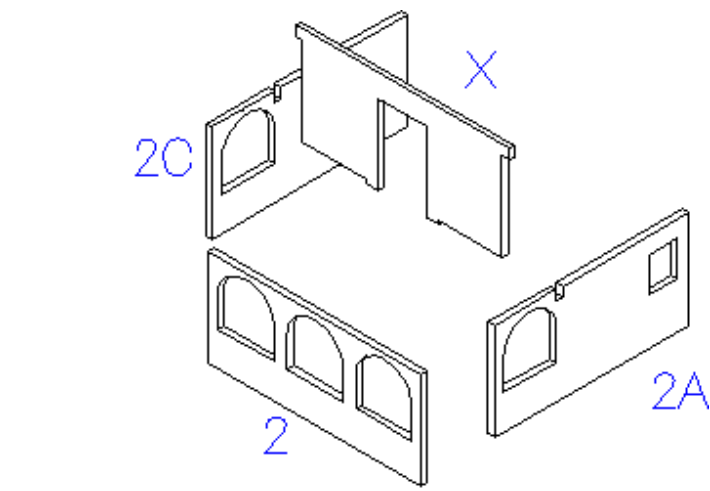


Glue the rectangular 3mm piece to the underside of the roof using a general-purpose adhesive or epoxy resin.

Align the piece with the edges of the roof while the glue is still wet. You may need to support the roof while the glue dries by wedging a book underneath to keep the MDF piece flat.

When the adhesive has “grabbed” but not fully set, offer up the roof to the top floor to check alignment.

When the glue has fully dried, cut the 4 tags and remove the positioning frame.



TIP: Do not glue in the inner dividing wall marked with an X on the diagram.

It will be easier to paint the tiled floor first and glue in this piece later.

TIP: Do not glue the on railings (floor 1, side c) at this point.

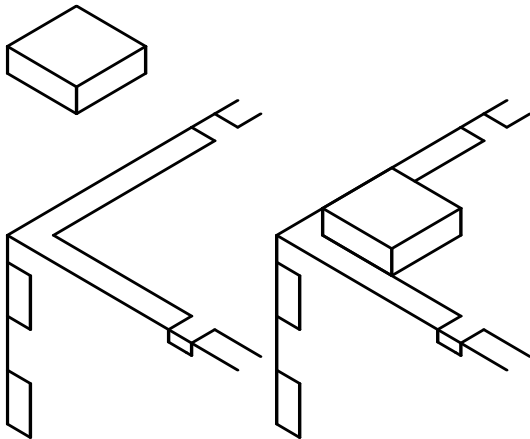
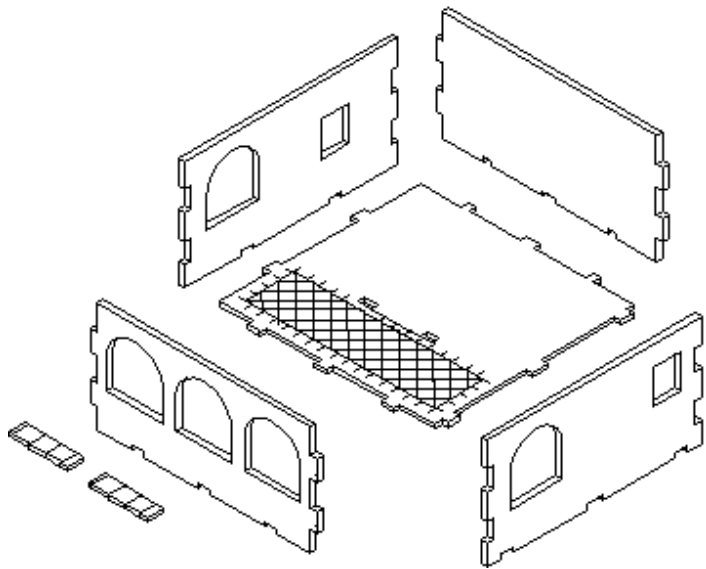
It is easier to apply texture to the walls and paint the railings first.

The window sills should be glued into the following window recesses:

Ground floor: none

Floor 1: Part 1 to the front of the building

Floor 2: Both windows.



Once complete, turn over the top floors and glue locating blocks underneath taking care to only glue to the 2mm base, leaving the 3mm walls clear.

TIP: It is recommended that the windows and doors are painted separately and glued into position once the main structure is textured and painted.

To obtain the rustic look of the finished building on the Charlie Foxtrot Models website, please click the **TUTORIAL** link for instructions.