

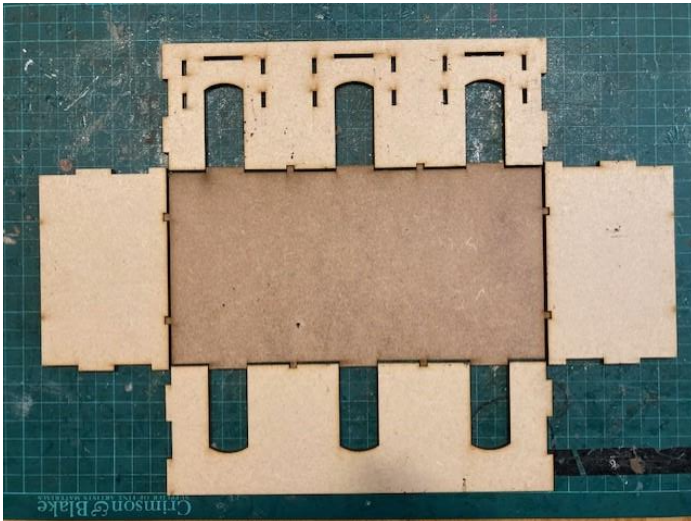
French Station

Instructions

This is a large kit and for best results, please follow these sequential instructions. Failure to do so may result in misaligned parts.

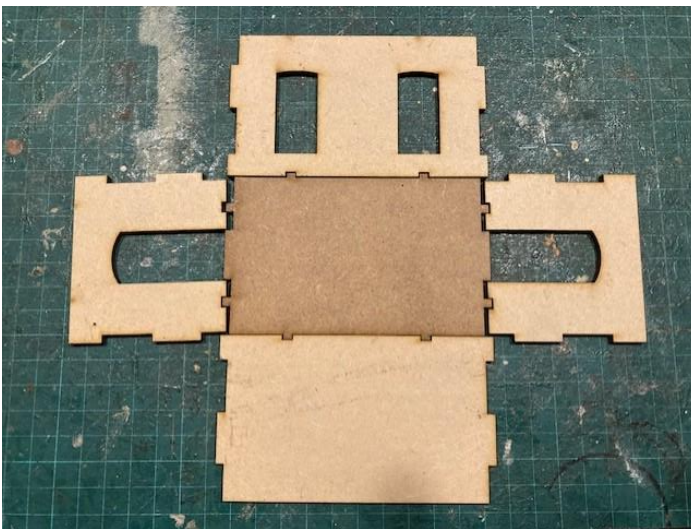
Always “dry run” parts before gluing with a woodwork quality PVA.

Start with the central section of the ground floor and place the MDF on a flat surface.



The base and sides can fit either way round for future reference, the rear is the wall with the slots cut out.

Glue the 5 parts together and set aside to dry.

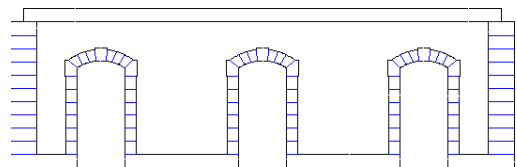


Identify and remove the parts for the two side rooms (as pictured). The base and sides can fit either way.

Glue the 5 parts together and set aside to dry.

Repeat for the other ground floor side room.

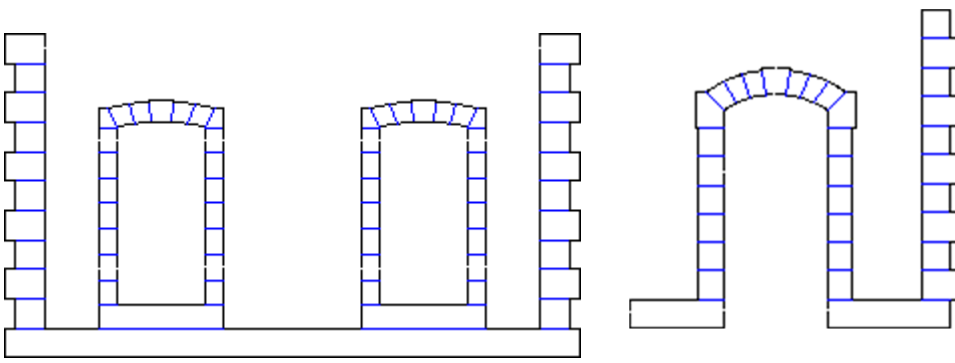
Locate and glue this 2mm part to the front ensuring that the 3 door recesses in the main building align with the door surrounds



When all 3 ground floor rooms are dry glue each side room to the main building. Please take time to exactly line up.

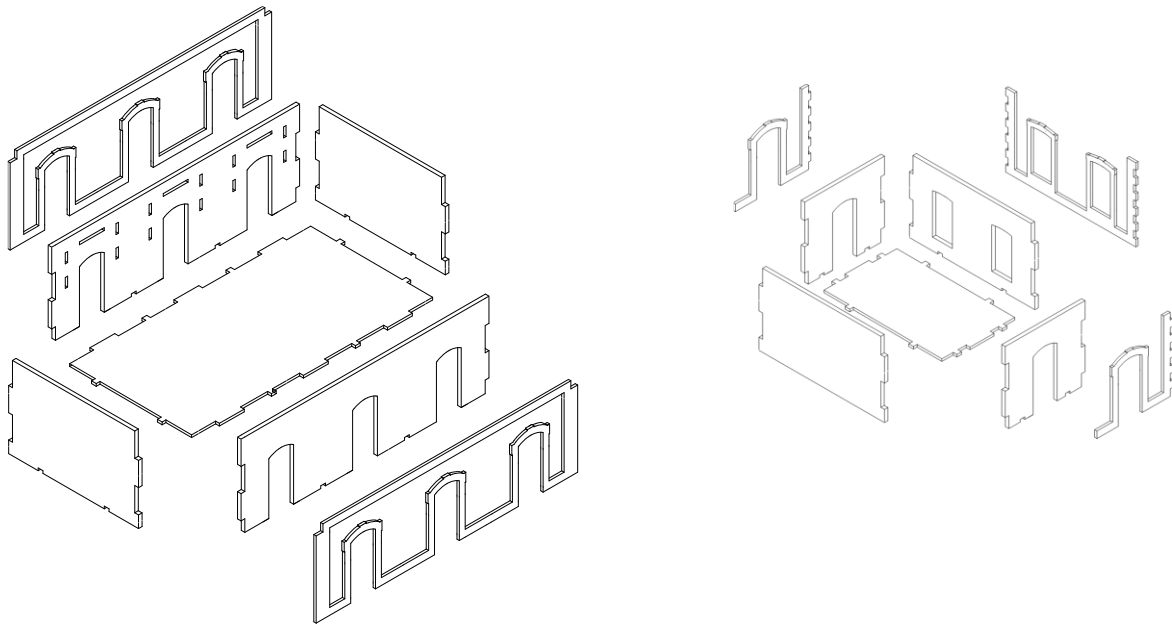
Tip: Use a straight edge ruler to check before you allow the glue to dry. Once bonded together, fix the door trim to the rear centre section and again, align to the door recesses.

Follow by gluing on the end 2mm



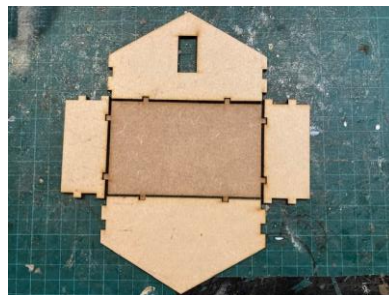
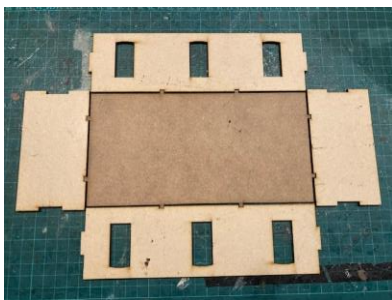
With the two ends in place, glue in the remaining 4 pieces of trim to complete the perimeter decoration.

The windows and doors are separate components. I wanted my copy to have white woodwork so glued them in at this point. I was then able to spray grey primer and white over to speed up the painting process. If you prefer a different colour to the window and door surround trim. Paint the building, doors and windows separately. I finished mine off with blister packaging "glazing" glued on the inside.

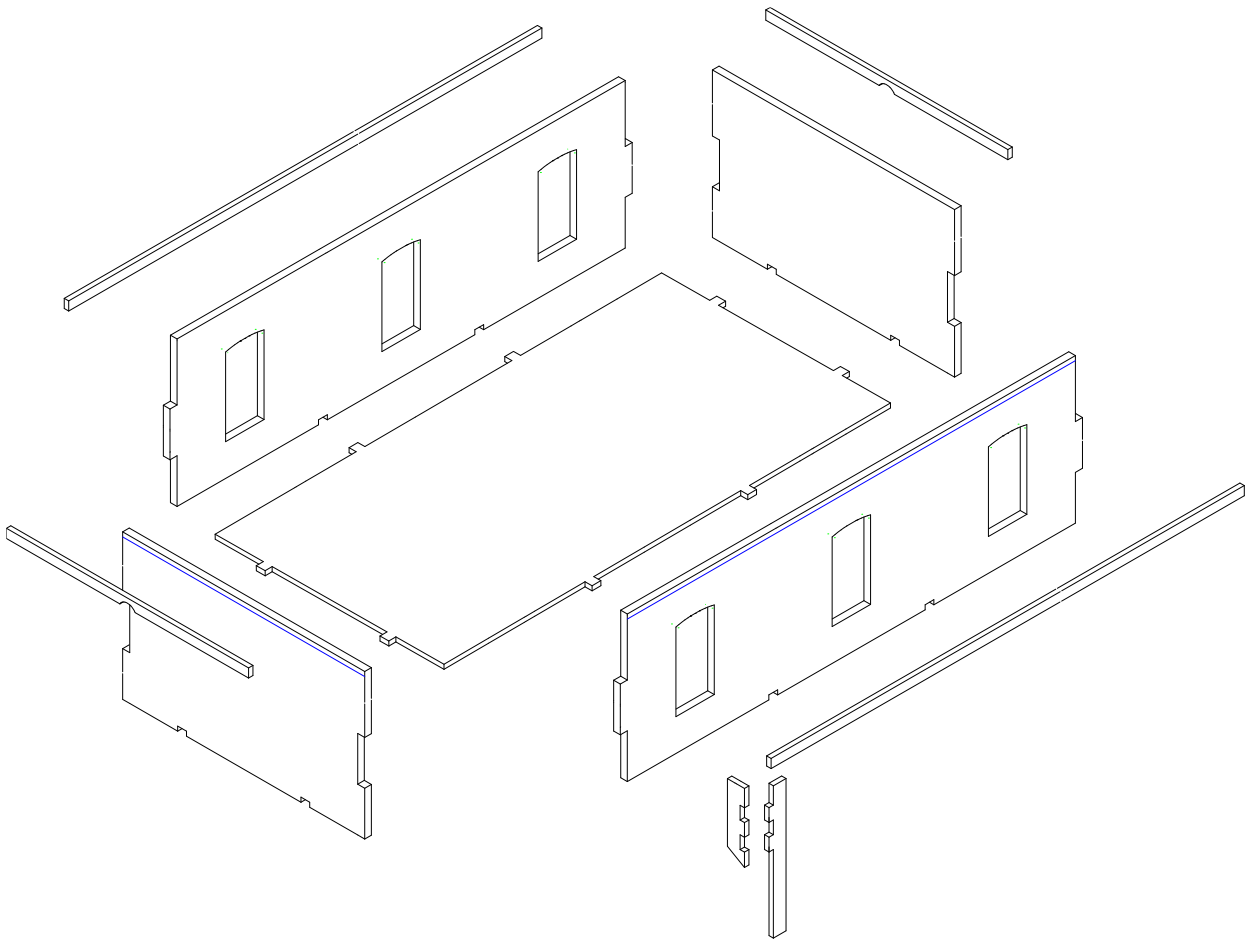


Set the lower 3 room sub assembly aside to dry and now work on the top 3 rooms.

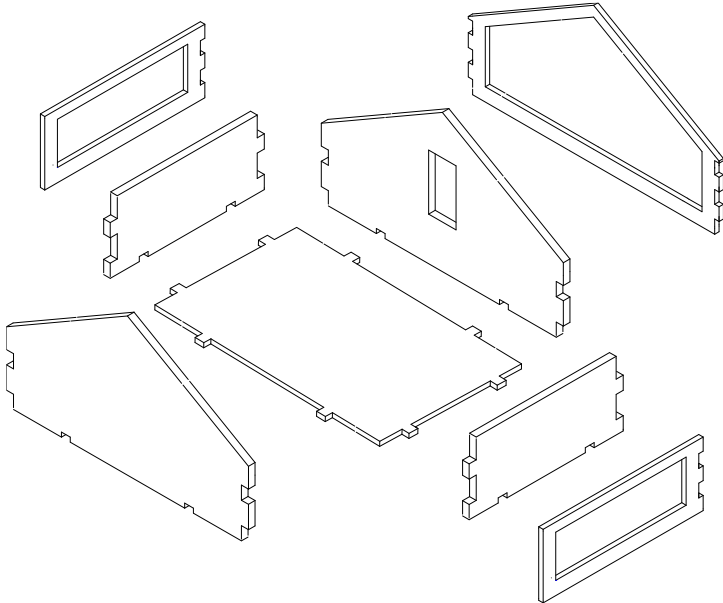
Set the ground floor sub-assembly to one side and assemble the 1st floor rooms.



Identify the pieces for the main upstairs room and glue together, follow this with the two upper floor side rooms.

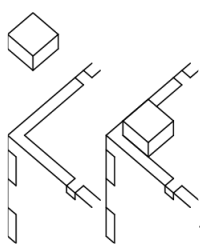


Assemble the middle upper floor and glue on the long strip trim under the engraved line (shown blue). The corner "blocks" will interlock and should be aligned to the underside of the long strip. The longest pieces of vertical trim should also align with the base of the wall. NOTE: the side trim has a "n" curve in the middle. Ensure this is the right way up and NOT INVERTED as a "u".



Glue together to two first floor small rooms and set aside to dry.

Glue on window surrounds to all windows which are "unframed".



Turn the middle top floor over and glue on 4 x 3mm thick blocks in the corners. Ensure the blocks do not bond to the 3mm walls.

For the two side upper rooms, there are 2 x 2mm blocks. These need to be glued to the OUTERMOST window side.

The next task is to assemble the roof. First assemble the two sloping ends and while still wet, assemble the main roof pieces.



Glue on the two sloping side roof sub-assemblies and run a bead of PVA along each seam.



Place the roof on the first floor room and adjust the panels until they all line up.



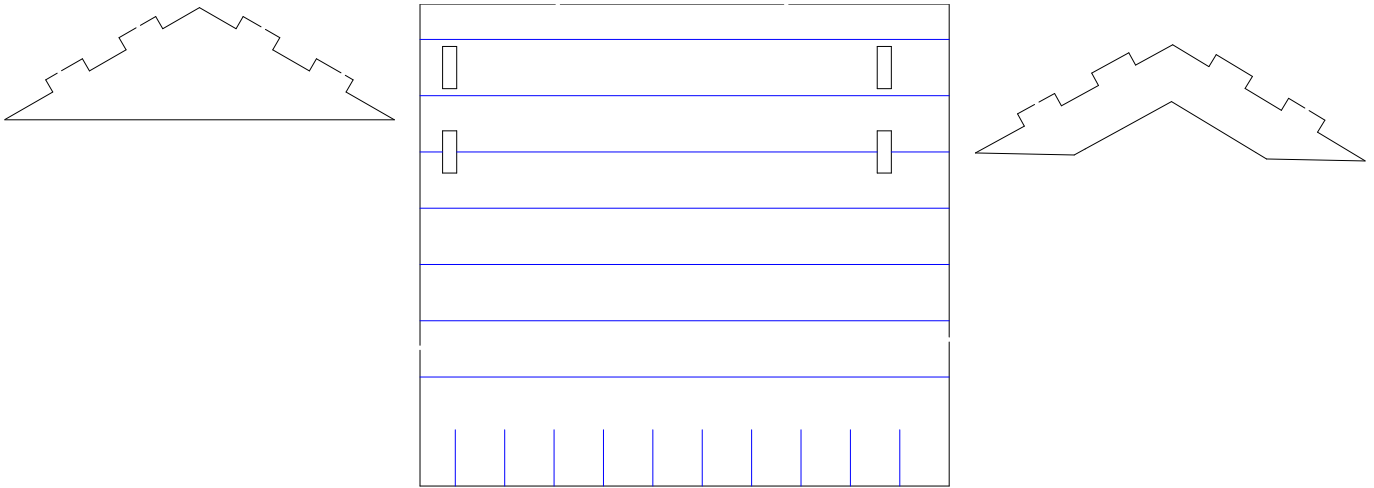
I found using some sticking tape helpful in holding the pieces together while the glue dries. I aligned one corner and applied tape to secure then worked my way around the other 3 corners in turn.

Masking tape is a gentler option for this however for the photograph, clear tape was used for clarity.

Please note, on the prototype, I engraved tiles along the bottom edge. They were deemed unnecessary and deleted for the final cut.

For the two smaller side roofs, the inner edge of the roof has the slots closer to the edge of the wood. Glue the complete triangle piece here. The front edge has slots further in and the V pieces should be glued here.

The V has been cut to avoid blocking the window.

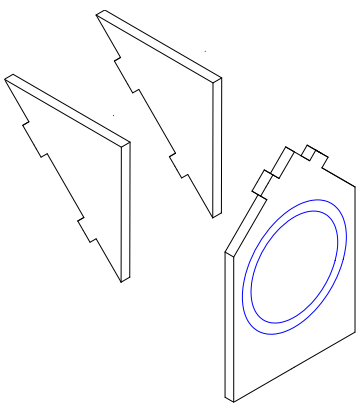


Glue the two triangular sides to the clock housing to the front roof. Glue on the front piece with the engraving facing the outside.

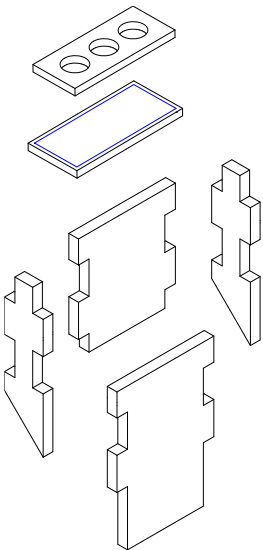
Glue on the two roof pieces.

There are two options to the clock face, you may either paint the MDF clock and glue in position using the lines as a guide or download the clock faces by using the link at the top of these instructions and cutting out a paper clock.

Glue this to the pre painted bezel ring and then glue to the front of the clock housing.



The chimneys are a separate sub-assembly.



Glue the 4 3mm pieces and cap with the blanking rectangle. On top of this glue on the top piece and glue in the plastic chimney pots. (Use a general purpose glue or superglue for this step.)

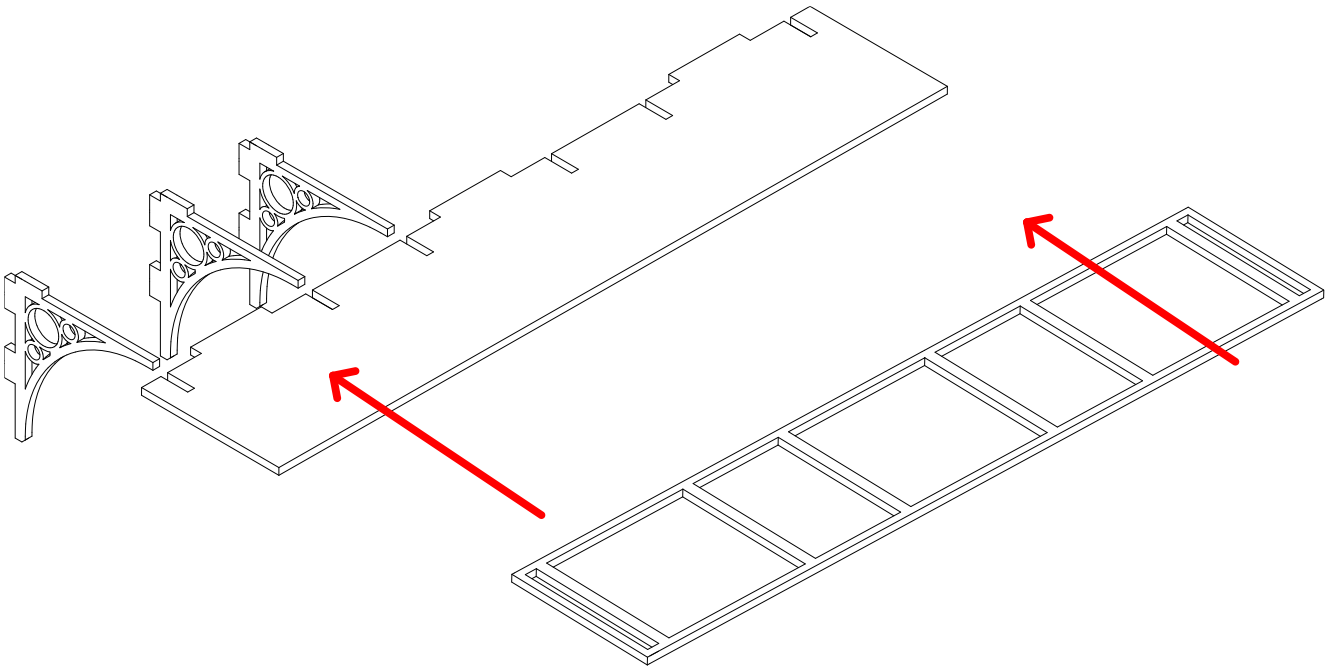
I set aside the two chimneys and tiled the two small roofs and two large roof panels BEFORE gluing them in place. This made trimming the tiles an easier task.

Turn the building around and glue in the 6 x ornate brackets into their respective slots.

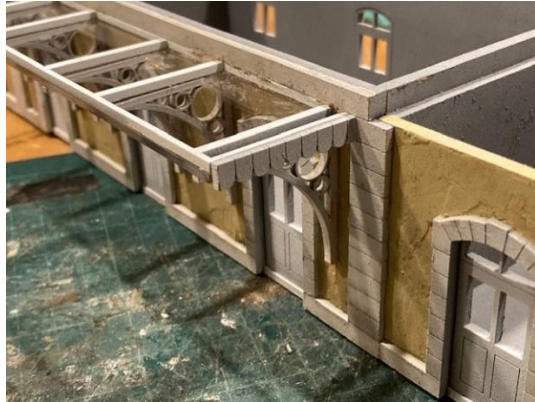
“Post” the acrylic in DRY sufficiently enough to get the correct spacings and angles of the brackets as the acrylic can be removed when the brackets are dry.

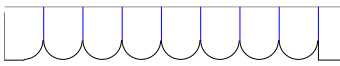
TIP: it is recommended that the building is painted / textured before fixing

When the brackets are dry and the model painted, “post the acrylic in DRY once more and follow this with the PRE-PAINTED top trim.



NOTE: when “posting” the top trim to cover the acrylic, apply SLIGHT pressure if needed by pressing where there is a strut. Do not apply pressure in between struts.



 When applying the side trim, ensure that the end rectangular decorative piece is placed against the wall. (shown in the diagram on the right)

Finally use a general purpose quick drying glue to fix the long length of trim. Apply the glue sparingly so none touches the clear acrylic. I used a little masking tape and pressed the long trim to fit, repeatedly checking all was aligned before I set this aside to dry.

FINAL TIPS:

If you are applying texture to the walls offer up the dry top rooms to the flanks of the building with the two roofs on and main roof off. Use a pencil to mark the walls as any texture below the line will make it difficult for the rooms to fit back in place.

Again, a note on texture, avoid the immediate areas around the rear brackets for the canopy as it is essential that they sit flush to the walls.

Once the building is painted and weathered, it is recommended that a VERY SLIGHT dusting of matt spray varnish is applied to the clear acrylic before applying any weathering washes or powders. This spray when dry will provide a key for the pigments to adhere to.

Thank you for buying this model from:

Charlie Foxtrot Models www.charliefoxtrotmodels.com