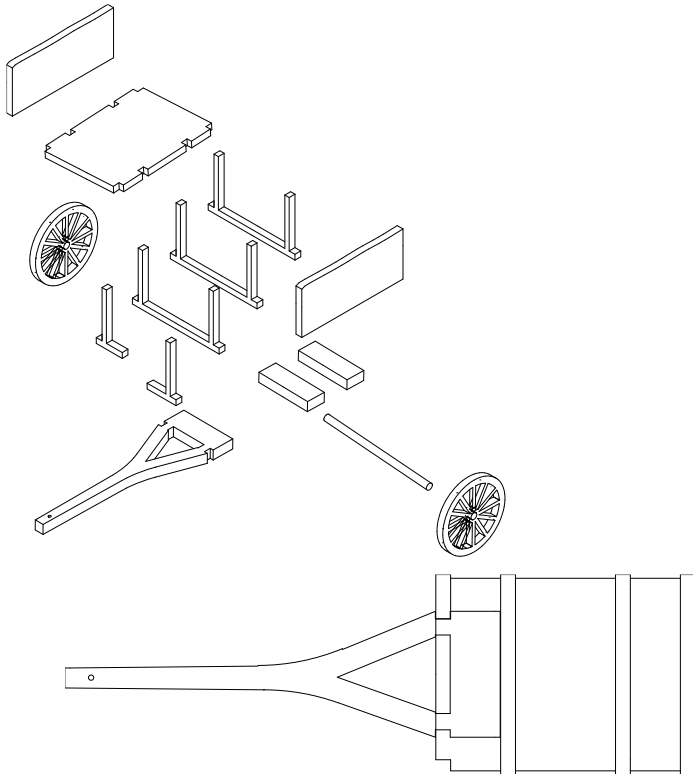
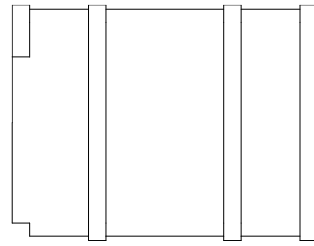


# Farm Cart

## Instructions



Always “dry run” parts before gluing with a woodwork quality PVA or in this case, I used superglue.

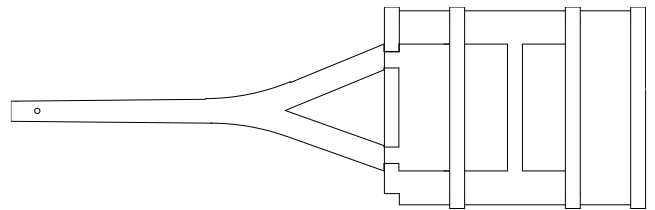


Turn the Farm Cart base over and glue on the three U shaped pieces which will later support the sides.

Next glue on **ONE** L shaped support

Locate the 3mm shaft on the underside and glue in place. Once in position, glue on the second L shaped support.

Glue in the 3mm rectangles between the support struts, giving a 2mm channel to accept the axle.



Glue on the two side panels and set aside to dry.

Cut the cocktail stick off one end at 14mm. This piece may be glued into the hole in the base to act as a strut while the cart is at rest.

Cut a further 37mm from the stick for the axle and discard the second point. Glue on the wheels to the axle and use this to hold while painting. Glue in position when the painting is finished.

Prior to painting it is recommended that the shaft is tapered and distressed using a sharp craft knife to remove the square corners (please see the picture of the unpainted cart). The cart sides would also benefit from distressing with a craft knife.

Please see the tutorial on painting wood effects on the blog.