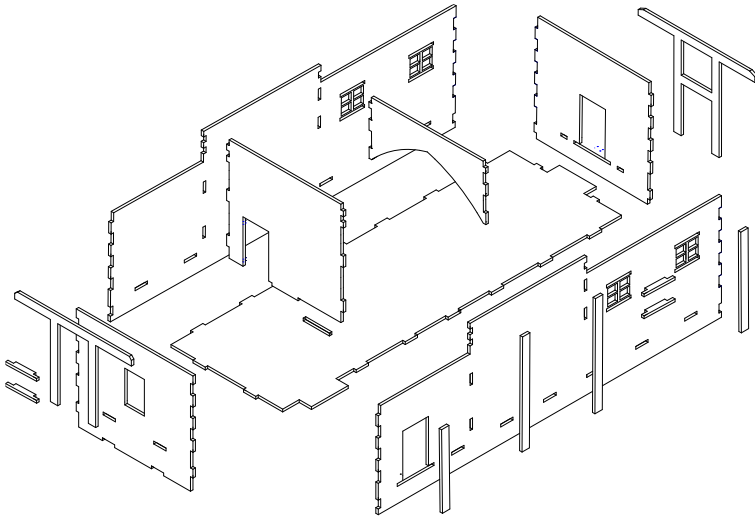


# Eastern Front Church

## Instructions



Always “dry run” parts before gluing with a woodwork quality PVA.

Start with the long wall without a door and place the MDF on a flat surface.

Select the internal jointed short walls and glue to the side panel. Glue the floor in place, locating tabs and slots accordingly. Then glue on the opposite long wall followed by the two external short walls. Add trim later.

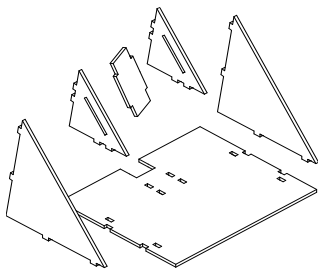
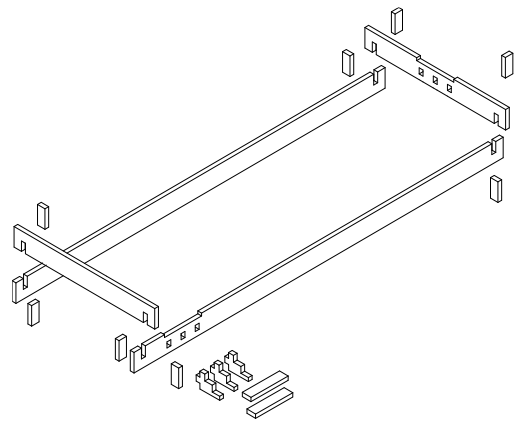
Assemble the four 3mm foundations as per the diagram. While still wet, run a bead of glue along the internal sides and place on a flat surface. Slide the main building assembly into the rectangular cavity, locating the door steps into the recesses.

Once dry, add the 3mm step supports followed by the 2mm step treads.

Complete the main structure by adding the “T” pieces to either end, the vertical timbers, window sills, windows and doors.

**NOTE:** The two “T” pieces are 2mm higher than the walls. This raised section will locate the roof when in use.

**NOTE:** The vertical timbers are shorter than the walls; please use the engraved lines as a guide. Use a door to ensure they are square to the base.



Starting with the main roof, select the roof sections with the “U” shaped cut out and set aside. Glue the spacer in between the slotted triangles. Place one roof section on a flat surface and glue in the onion dome support cradle (the triangles and spacer) followed by the two gable ends. Add the second roof piece and set aside to dry.

Assemble the other two roof sections. When dry, glue in the wavy-edged barge boards.

To complete the model, use contact adhesive, epoxy resin or superglue gel to fix the resin onion dome into the recess. Cut to size and glue on the capping strips of plastic. The onion dome can be adjusted as required by using the capping strips for support while the adhesive dries. Trim the capping strips flush to the barge boards once dry.

Distress the timbers as required with a craft knife to get an aged, rough hewn effect.

It is recommended that this assembled model is primed with a spray primer before being painted. A wood effects painting tutorial can be found on the blog section of the website.

Thank you for buying this model from:

**Charlie Foxtrot Models** [www.charliefoxtrotmodels.com](http://www.charliefoxtrotmodels.com)