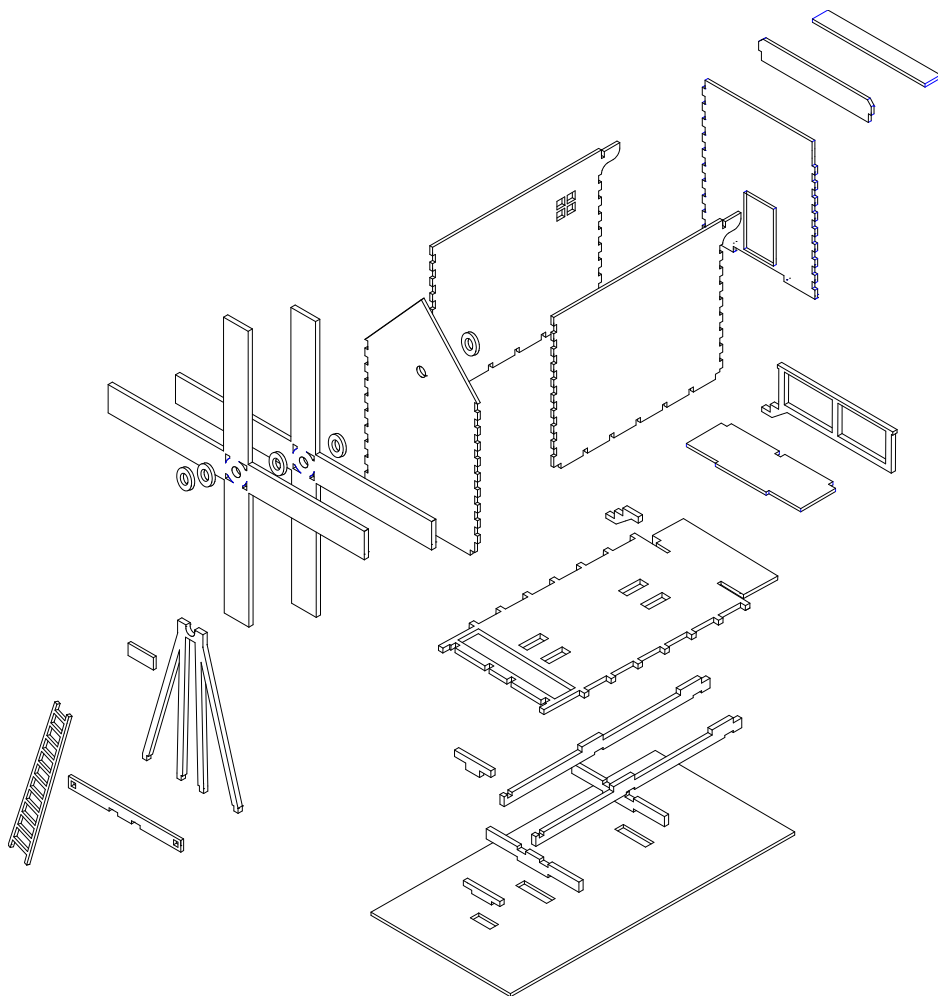


Eastern Front Windmill

Always “dry run” parts before gluing with a woodwork quality PVA. Start with the floor and place the MDF on a flat surface.



Glue the 4 6mm struts to make a # shape and glue to the 3mm underside of the building base. Note the base has an extra recess for the steps and should be orientated to sit on the widest side of the slots in the scenic 2mm base. Glue on the 6mm T piece on the end of the long beams.

Glue the 4 sides together and then glue onto the 3mm base. It may be easier to place the building DRY on the scenic base while assembling.

At the door end, glue on the vertical cross beam that slots into the sides followed by the horizontal planks.

Glue on the cardboard ribs to the sails.

Glue a 3mm washer to the inside of the wall ensuring the hole is clear. Glue washers as follows: Front sail 2 to the front and 1 to the rear. Rear sail, 2 to the rear.

Glue the 2mm planked walkway by the door slotting firmly into the recess. Glue the rectangular 2mm piece to the top of the windmill support frame to cover part of the U shape.

Assemble the roof with the planked triangle to the rear, the plain triangle to the front. Glue the angled plastic strip to the top seam. Trim once dry. **At this stage it is recommended that all parts are primed and painted before final assembly.**

Glue the sails together using the 6mm rod to ensure they are aligned correctly. Slide the 6mm plastic rod through the hole in the wall and through the sails assembly. Glue on the 3mm supporting frame and lie the 6mm rod in the saddle. Adjust the length of the rod from inside to allow the sails to rotate. Glue on the 2mm front strip to the base and when dry, place a small amount of superglue on the cradle and inner washer to fix the 6mm plastic rod in place and brace the structure. Rotate the sails by hand to ensure they run free. **DO NOT USE EXCESSIVE GLUE.**

Glue on the small 3mm step support and the railing then the two steps. Glue on the ladder and the 6mm T piece to the scenic base. It is recommended that the scenic base is painted and flocked etc. before gluing to the main building. It is easier to gently hold the building upside down (placing your hand inside the building) and fix the scenic base when the tabs and slots can be seen.

Thank you for buying this kit from

Charlie Foxtrot Models

www.charliefoxtrotmodels.com