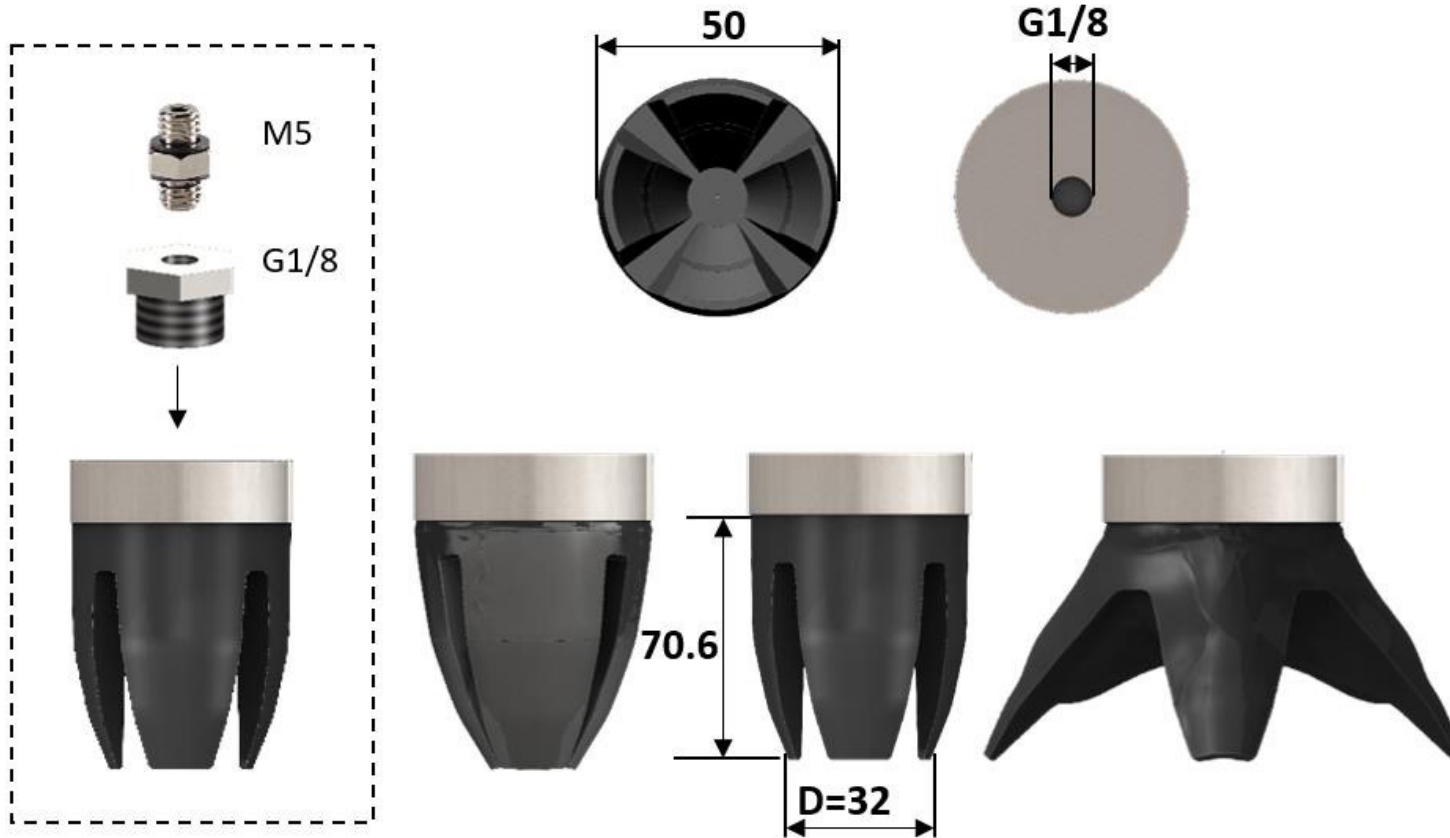
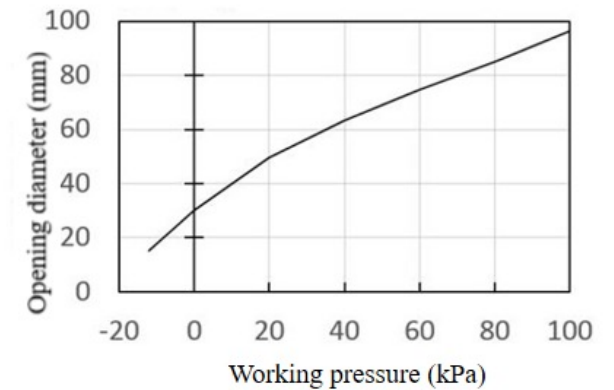


# Dobot Flexible Gipper Kit Parameters

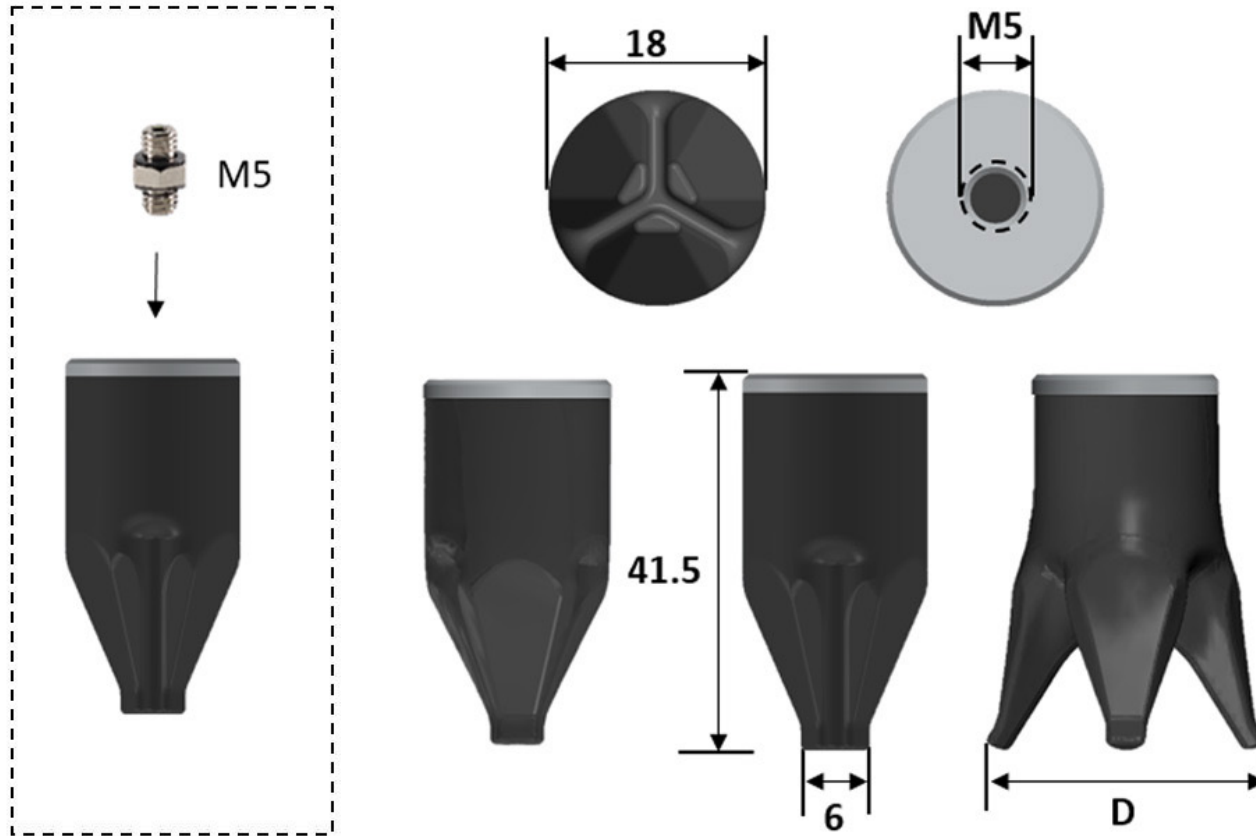


## Soft beak 1

<b>Model</b>	B-4B50
<b>Maximum working frequency</b>	300 times/min
<b>Precision</b>	0.05mm
<b>Diameter of armour clamp</b>	G1/8
<b>Weight</b>	80g
<b>Maximum load</b>	60g
<b>Safe working pressure</b>	100kPa
<b>Service life</b>	1.5 million times

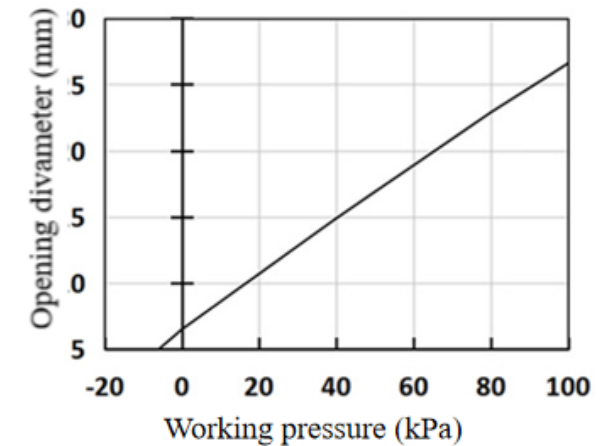


# Dobot Flexible Gipper Kit Parameters

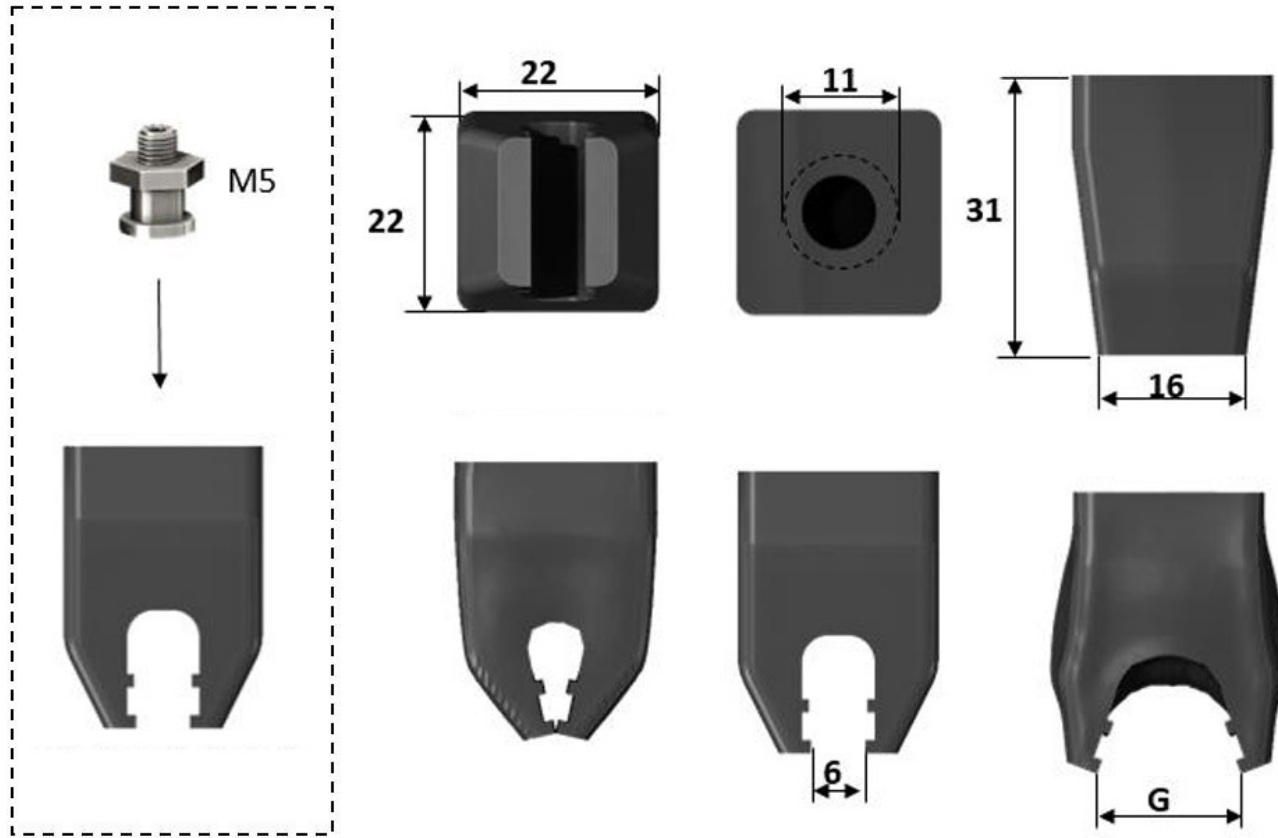


## Soft beak 2

<b>Model</b>	B-3B18
<b>Diameter of armour clamp</b>	M5
<b>Maximum working frequency</b>	300 times/min
<b>Precision</b>	0.05mm
<b>Weight</b>	12g
<b>Maximum load</b>	15g
<b>Safe working pressure</b>	+100 kPa
<b>Service life</b>	1.5 million times

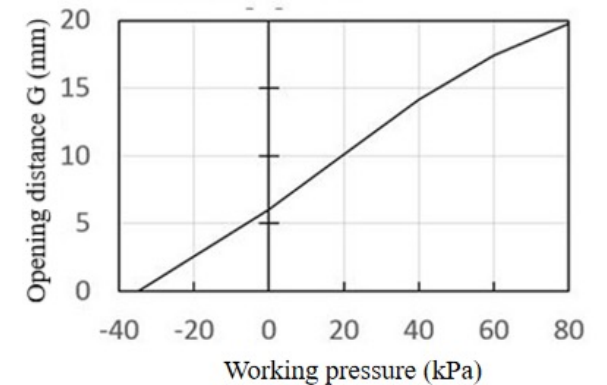


# Dobot Flexible Gipper Kit Parameters

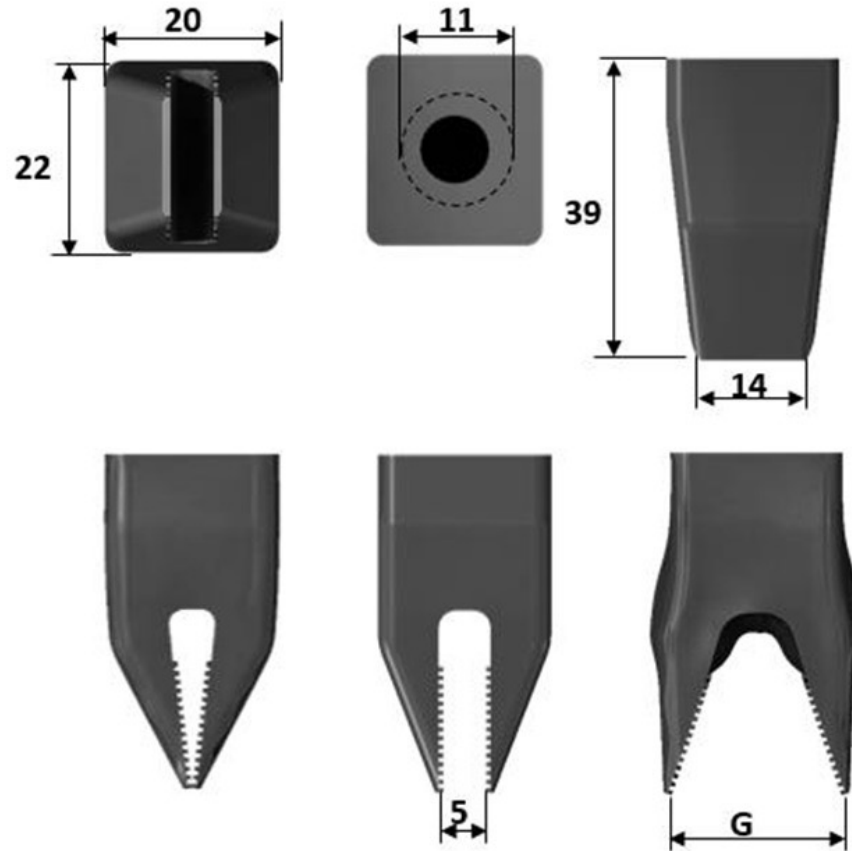
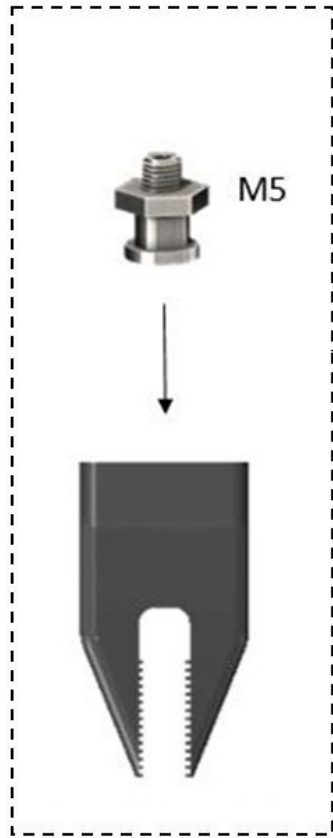


## Soft beak 3

<b>Model</b>	BM-21606
<b>Diameter of armour clamp</b>	11mm
<b>Maximum working frequency</b>	300 times/min
<b>Precision</b>	0.05mm
<b>Weight</b>	9.8g
<b>Maximum load</b>	50g
<b>Safe working pressure</b>	-100~80 kpa
<b>Service life</b>	0.5~1 million times

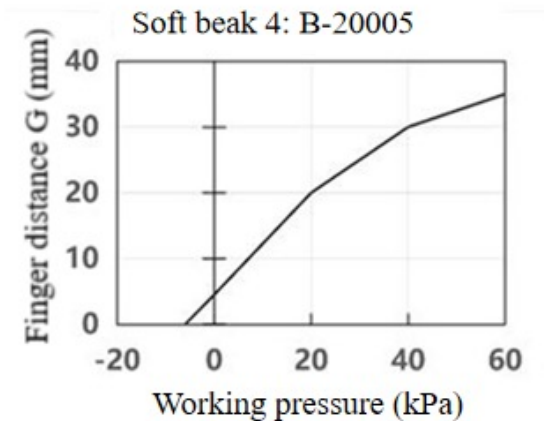


# Dobot Flexible Gipper Kit Parameters

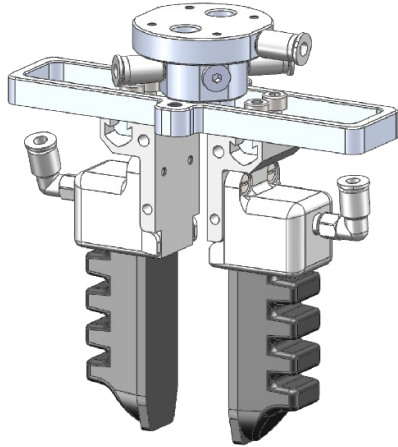


## Soft beak 4

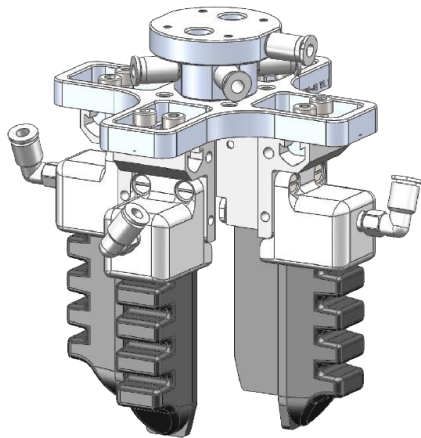
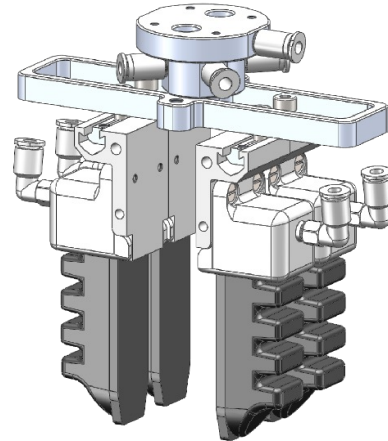
<b>Model</b>	B-20005
<b>Diameter of armour clamp</b>	11mm
<b>Maximum working frequency</b>	300 times/min
<b>Precision</b>	0.05mm
<b>Weight</b>	10g
<b>Maximum load</b>	30g
<b>Safe working pressure</b>	-100~80 kpa
<b>Service life</b>	1 million times



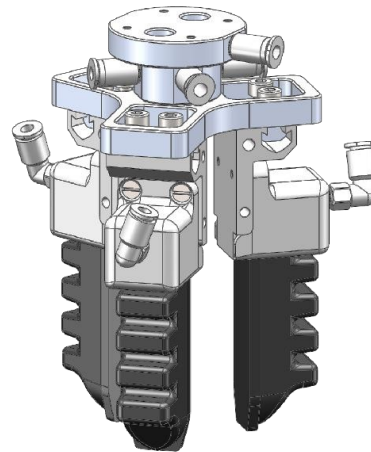
## DoBot Flexible Gripper Kit Parameters



Two-finger gripper



Three-finger gripper

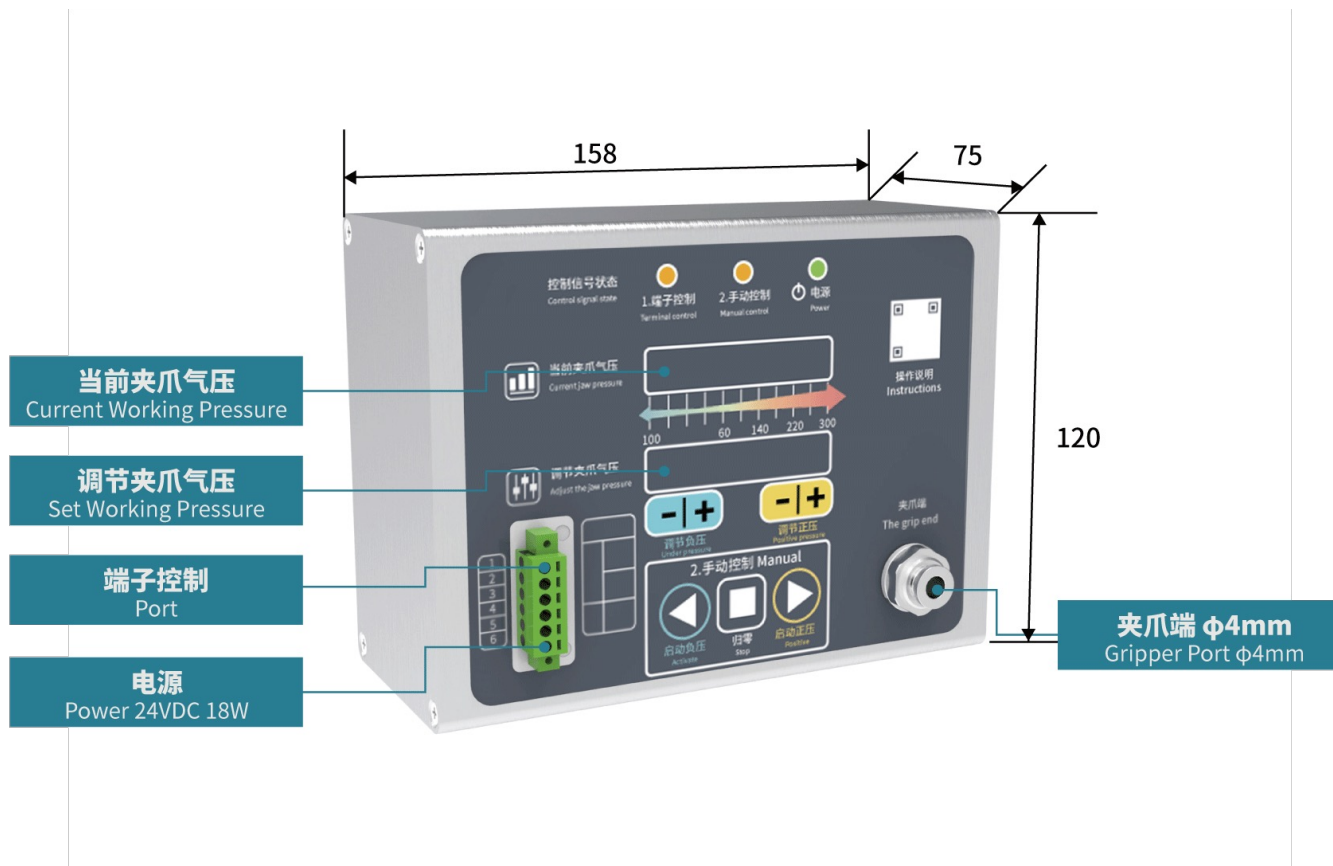


Four-finger gripper

### Gripper

<b>Model</b>	Two-finger gripper/ Three-finger gripper/ Four-finger gripper
<b>Diameter of gas connector</b>	4mm
<b>Maximum working frequency</b>	300 times/min
<b>Precision</b>	0.05mm
<b>Safe working pressure</b>	120 kpa
<b>Service life</b>	3 million times

# Dobot Flexible Gripper Kit Parameters



Active control unit	
Nominal voltage	24 VDC
Material	Aluminum alloy anode oxidation
Nominal power	18 W
Size	158*120*75 mm
Output air pressure	-85~100kPa
Weight	1.05 kg
Safe working pressure	120 kpa
Service life	3 million times
Ingress protection rating	IP54
Life	5000 hours
Positive pressure flow	4L/min
Negative pressure flow	4L/min
Control mode	a. manual button
	b. I/O level signal