

Reversomatic HRV/ERV Mini Series: Elevating Indoor Air Quality and Healthy Living



Indoor air quality is a critical aspect of our overall well-being, yet it's often overlooked. The air we breathe in our homes can have a significant impact on our health and comfort. [Reversomatic](#), a trusted name in ventilation solutions, introduces the HRV/ERV Mini Series – a game-changer in improving indoor air quality and promoting healthier living. In this blog post, we'll delve into the remarkable features and benefits of this series, focusing on the RERV-80 and RHRV-80P models.

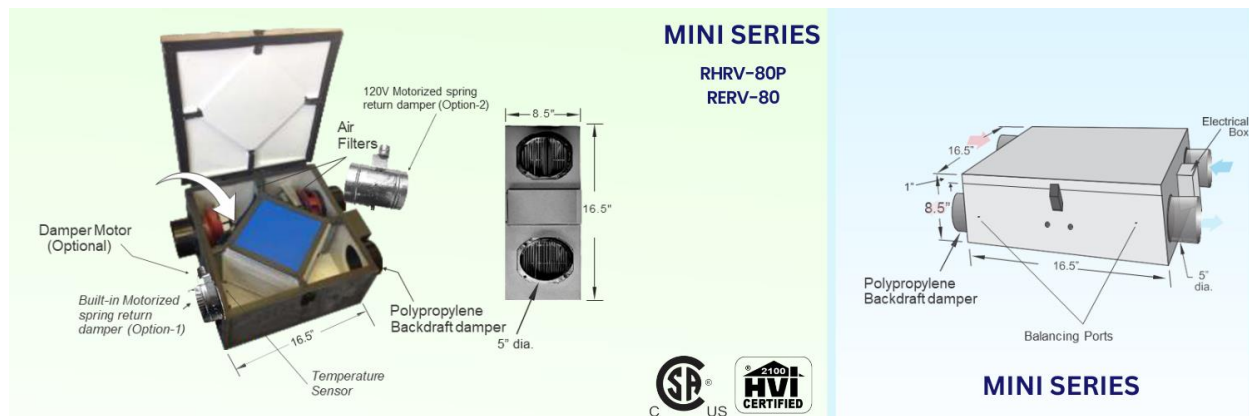


A Sensible Choice for Indoor Air Quality Enhancement

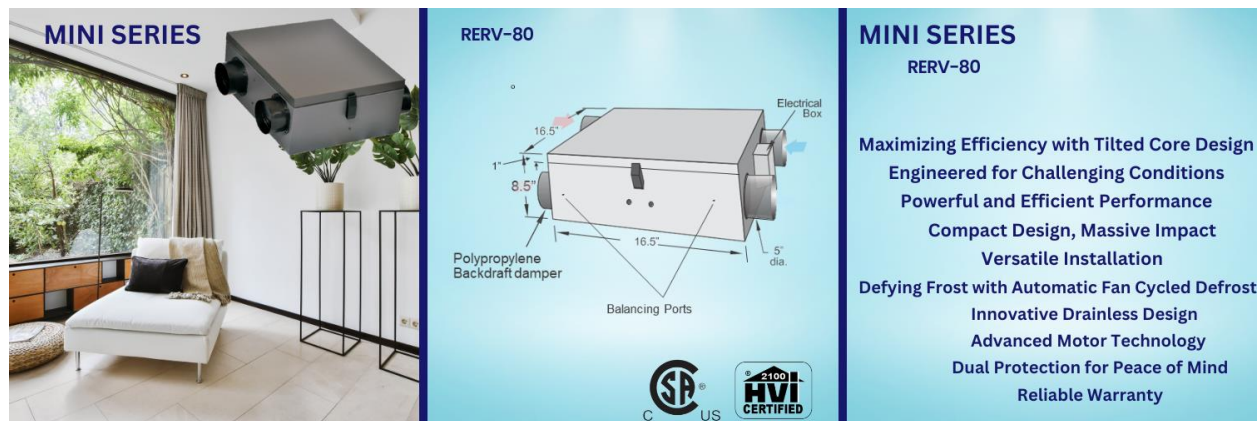
The HRV/ERV Mini Series is designed to address the challenge of maintaining fresh and clean indoor air while ensuring energy efficiency. Heat and Energy Recovery Ventilators (HRV/ERV) play a vital role in achieving this delicate balance. These units effectively exchange stale indoor air with fresh outdoor air, recovering heat or energy in the process. The result? A comfortable indoor environment that isn't compromised by energy consumption.

Compact and Efficient Design

One standout feature of the Reversomatic HRV/ERV Mini Series is its slimline compact design. With dimensions of 16.5" (W) x 16.5" (D) x 8.5" (H), these units fit seamlessly into various residential spaces. The tilted core design is a stroke of engineering brilliance, ensuring maximum efficiency in the heat and energy exchange process.



Mini RERV-80: Revolutionizing Indoor Air Quality



In the quest for a healthier, more comfortable living environment, the importance of indoor air quality cannot be overstated. Enter the Mini RERV-80 – a compact yet powerful solution designed to transform the air you breathe. In this article, we'll delve into the exceptional features that set the Mini RERV-80 apart, making it an indispensable addition to any space.

Compact Design, Massive Impact

The Mini RERV-80 is proof that great things come in small packages. With dimensions of 16.5" (W) x 16.5" (D) x 8.5" (H), this unit effortlessly integrates into your living or working space. Don't let its size fool you; within those sleek contours lies a powerhouse of technology that's about to revolutionize your indoor air quality.

Powerful and Efficient Performance

Operating on a power rating of 115V / 1 / 60 Hz, drawing only 0.75 Amp, and consuming a standby current of a mere 7W, the Mini RERV-80 epitomizes energy efficiency. This unit is a cost-effective choice for maintaining a comfortable indoor environment without straining your energy consumption.

Engineered for Challenging Conditions

The Mini [RERV-80](#) is designed to thrive even in harsh conditions. Equipped with a washable high-efficiency Dpoint Enthalpy core, this unit is suitable for temperatures as low as -25°C. This means that no matter the weather outside, you can count on the Mini RERV-80 to provide you with a continuous supply of fresh, clean air.

Innovative Drainless Design

Installation is a breeze with the Mini RERV-80, thanks to its drainless design. Say goodbye to complicated drainage systems – this unit is designed to simplify the installation process while ensuring optimal performance.

Advanced Motor Technology

Central to the Mini RERV-80's capabilities are its high-efficiency, energy-saving, permanently lubricated, backward-inclined, non-overloading, variable-speed PSC motors. These motors not only balance the airflow but also contribute significantly to the unit's overall energy efficiency.

Versatile Installation

Whether you prefer a horizontal or vertical setup, the Mini RERV-80 is up to the task. Its versatility ensures that it can seamlessly adapt to your unique space requirements.

Maximizing Efficiency with Tilted Core Design

The tilted core design is a testament to engineering innovation. By maximizing the efficiency of heat and energy exchange, the Mini RERV-80 ensures that you enjoy the benefits of fresh air while optimizing energy usage.

Defying Frost with Automatic Fan Cycled Defrost

MINI SERIES			
RERV-80			
VENTILATION PERFORMANCE			
Model #	Normal Speed Supply/Exhaust (Constant Ventilation) @ 50 Pa	High Speed Exhaust (Activated by switch) @ 50 Pa	Maximum Power Rating 120V / 1 / 60Hz
RERV-80 (Single Washroom)	20 ~ 60 CFM variable	60 ~ 90 CFM variable	0.75 Amp.






MINI SERIES
RERV-80

Cold climates are no match for the Mini RERV-80's automatic fan cycled defrost feature. This ensures uninterrupted operation, even in freezing temperatures, guaranteeing you a consistent flow of fresh air.

Dual Protection for Peace of Mind

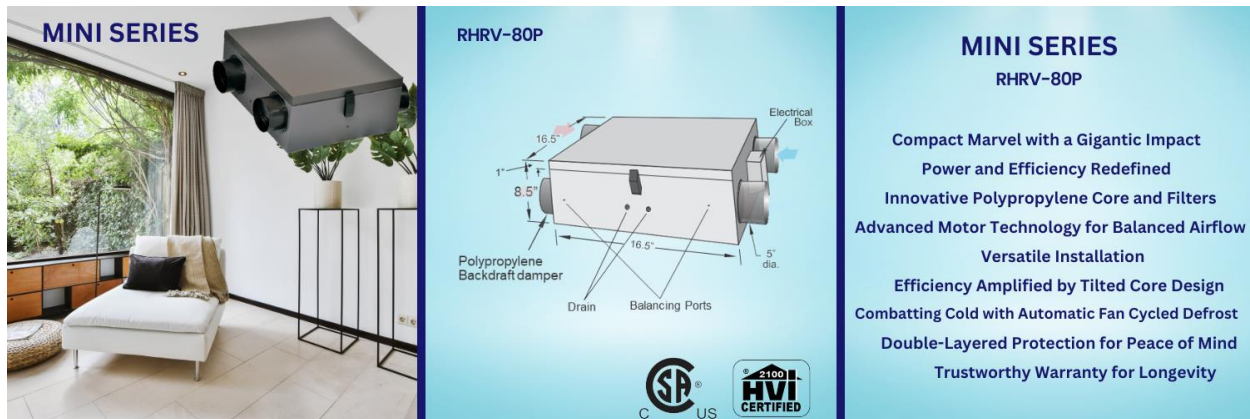
The Mini RERV-80 goes the extra mile to safeguard your indoor air quality. In case of exhaust fan failure, the outside fresh-air supply is automatically closed through an optional motorized damper, preventing air contamination. Interlocking relay contacts are opened, ensuring that no air enters the system during normal operation.

Reliable Warranty

Reversomatic Mini RERV-80 comes in the form of a 2-year warranty on parts. The Mini RERV-80 is built to last, and this warranty underscores the manufacturer's confidence in the unit's durability.

In conclusion, the Mini RERV-80 is not just a ventilation unit; it's a game-changer in the realm of indoor air quality improvement. Its compact design, energy efficiency, and innovative features make it a must-have for anyone committed to healthier living. With the Mini RERV-80 on your side, you're taking a proactive step towards creating an environment where clean, fresh air is a non-negotiable asset.

RHRV-80P: Unveiling Unparalleled Features



In a world where indoor air quality is increasingly recognized as a cornerstone of well-being, finding the right ventilation solution is paramount. The Mini RHRV-80P emerges as a beacon of innovation, promising to transform your living spaces into havens of clean, refreshing air. In this article, we'll explore the remarkable features that make the Mini RHRV-80P an indispensable addition to any environment.

Compact Marvel with a Gigantic Impact

The Mini RHRV-80P exemplifies the notion that good things come in small packages. With dimensions measuring 16.5" (W) x 16.5" (D) x 8.5" (H), this unit can seamlessly integrate into various settings, making it an unobtrusive yet essential component of any space.

Power and Efficiency Redefined

Operating on a power rating of 115V / 1 / 60 Hz and drawing only 0.75 Amp, the Mini RHRV-80P is a true testament to energy efficiency. What's more, its standby current of a mere 7W ensures that it doesn't contribute to unnecessary energy consumption, giving you a cost-effective way to maintain optimal indoor air quality.

Innovative Polypropylene Core and Filters

The Mini RHRV-80P is equipped with washable Polypropylene core and filters, underscoring its commitment to easy maintenance and sustainable living. These components not only ensure the longevity of the unit but also contribute to the quality of air circulating within your space.

Advanced Motor Technology for Balanced Airflow

Central to the Mini RHRV-80P's efficacy is its high-efficiency, energy-saving, permanently lubricated, backward-inclined, non-overloading, variable-speed PSC motors. These motors work harmoniously to balance airflow while significantly enhancing the overall energy efficiency of the unit.

Versatile Installation for Every Space

Whether you prefer a horizontal or vertical installation, the Mini [RHRV-80P](#) is designed to accommodate your specific spatial requirements. This adaptability ensures that you can optimize its placement for maximum effectiveness.

Efficiency Amplified by Tilted Core Design

The Mini RHRV-80P's tilted core design is a hallmark of its engineering excellence. By maximizing the efficiency of heat and energy exchange, this unit guarantees that you receive a constant supply of fresh air while minimizing energy waste.

VENTILATION PERFORMANCE			
Model #	Normal Speed Supply/Exhaust (Constant Ventilation) @ 50 Pa	High Speed Exhaust (Activated by switch) @ 50 Pa	Maximum Power Rating 120V / 1 / 60Hz
RHRV-80P	20 ~ 60 CFM variable	60 ~ 90 CFM variable	0.75 Amp.

* Normal and high speed can be adjusted by either installer or factory using speed controllers mounted on the main controller of the unit.




MINI SERIES
RHRV-80P



Combatting Cold with Automatic Fan Cycled Defrost

Cold climates pose no challenge to the Mini RHRV-80P's automatic fan cycled defrost feature. This ensures that the unit continues to function seamlessly, even in frigid temperatures, enabling you to enjoy a consistent flow of fresh air year-round.

Double-Layered Protection for Peace of Mind

The Mini RHRV-80P takes your well-being seriously, offering dual protection mechanisms. In the event of an exhaust fan failure, the outside fresh-air supply is automatically sealed using an optional motorized damper, preventing potential air contamination. Simultaneously, interlocking relay contacts are opened, ensuring that your environment remains unaffected during regular operation.

Trustworthy Warranty for Longevity

With a 2-year warranty on parts, the Mini RHRV-80P stands as a testament to its manufacturer's confidence in its durability and performance. This warranty provides you with peace of mind, knowing that your investment is backed by solid support. In summary, the Mini RHRV-80P isn't just an ordinary ventilation unit – it's a transformative solution for those who prioritize clean indoor air. With its compact design, energy efficiency, and innovative features, this unit is a must-have for anyone seeking to improve their living environment. By integrating the Mini RHRV-80P into your space, you're embracing a healthier and more comfortable way of living, where fresh, pure air is a non-negotiable asset. Elevate your indoor air quality with the Mini RHRV-80P. Explore Reversomatic's innovative products at reversomatic.com for a healthier living environment.

WE SET THE STANDARD







WHERE QUALITY AND
PERFORMANCE COUNTS



Since 1965