

PARTS LIST



REVERSOMATIC
MANUFACTURING LIMITED



**MANUFACTURER OF RESIDENTIAL,
COMMERCIAL & INDUSTRIAL
EXHAUST FANS FOR
OVER 35 YEARS**



BATHROOM FANS LOW RISE	1
EB-45 (<i>EB-50 US Model</i>)	2
EB-50 (<i>EB-60 US Model</i>)	2
EB-55 (<i>EB-70 US Model</i>)	2
EB-100	3
RS-85 (<i>EB-80 US Model</i>)	3
RS-90	4
RS-100	4
B-100	5
BATHROOM FANS FOR HI-RISE CONDOMINIUMS	6
B-60	7
QB-60	7
QB-80BC, QB-80LT	8
QB-80	9
QB-100S (<i>QB-100 US Model</i>)	9
QCF-80ES	10
QK-130ES	10
QCF-95	11
CF-130 (<i>QB-130 US Model</i>)	12
QCF-110, QCF-110ES	12
BB-100	13
QCF-125, QCF-125ES	14
QCF-125CO	15
QCF-130ES (<i>QCF-130BC US Model</i>)	16
QK-150ES	17
CF-170 (<i>QCF-170 US Model</i>), CF-170ES, CF-170BC	18
QCF-150 (<i>CFS-150 US Model</i>)	19
QK-160ES	19
QK-180ES	19
FANS SUITABLE FOR KITCHEN INSTALLATION	20
K-100 (<i>QB-120 US Model</i>)	21
QK-100 (<i>QB-150 US Model</i>)	21
BK-100 (<i>QB-200 US Model</i>)	22



FAN-LIGHT COMBO	23
FFL SERIES	24
EBL SERIES	25
QBL SERIES	26
FL-80, FLH-80	27
DRYER BOOSTER FANS SINGLE AND DOUBLE INLET	28
TLD-200	29
TLD-200ES	30
TLD-300	31
PWS-100	32
PWS-200, PWS-300	33
PW-200	34
DBP-300	34
RI-150, RI-200, RI-250	35
COMBINATION IN-LINE FANS DOUBLE BATHROOM AND GENERAL EXHAUST	36
TL-240, TL-240ES	37
SMP-260	38
SMP-350	38
QDB-300	39
DK-260	40
DB-200	41
DB-300	42
TL-340 (2 Inlets), TL-340 (3 Inlets)	43
BOOSTER FANS WITH PRESSURE SENSOR	44
RI-150PS	45
RI-200PS	45
RI-250PS	45
PWS-100PS	46
PWS-200PS	47
PWS-300PS	47
TLD-200PS	48



COMBINATION FAN / LINT TRAPS	49
PWS-100L	50
PWS-200L	51
PWS-300L	51
TLD-200L	52
TLD-300L	53
IN-LINE CENTRIFUGAL EXHAUST	54
RI-150	55
RI-200	55
RI-250	55
RI-500	56
RI-700	56
RI-900	56
RI-1200	57
CF SERIES (Inline and General Exhaust Fans)	58
CF-225	59
CF-375	59
CF-425	59
QCF SERIES (General Exhaust and Inline Fans)	60
QCF-200	61
QCF-300	62
QCF-400	63
QCF-500	64
QCF-600	65
QCF-800	66
QCF-1000	67
QCF-1300	68
QCF-1600	69
A SERIES	70
A SERIES PARTS LIST	71



RANGE HOODS	72
RH1000-160, RH1000-160CF	73
RH1000-225, RH1000-225CF	74
RH2000-130	75
RH2000-200	75
RH3000-300	76
RH3000-475	76
RH4000-200	77
RH4000-250ES2	78
RH4000-250ES2 c/w FRESH AIR INTAKE	79
RH4000-300	80
RH4000-400	80
EXHAUST FANS CUSTOM RANGE HOODS (OUTDOOR)	81
RV-400	82
RV-800	82
RV-1200	82
WRV-400	82
WRV-800	82
WRV-1200	82
CUSTOM RANGE HOODS (ISLAND HOODS)	83
CHI-36-300	84
CHI-36-400	84
CONTROL UNITS (CUSTOM RANGE HOODS)	85
CU-500	86
CU-700	86
CUSTOM RANGE HOODS (WALL HOODS)	87
CHW-30-300	88
CHW-30-400	88



EXHAUST FANS FOR CUSTOM RANGE HOODS	89
PU-300	90
PU-400	90
PU-600	91
PU-700	91
TRANSFER FANS	92
HD-75	93
HT-145	94
BOOSTER FANS	95
BF-5	96
BF-6	96
BF-7	96
BF-8	96
BF-9	96
BF-150	97
GPB SERIES (GENERAL PURPOSE BLOWER)	98
GPB-200	99
GPB-250	99
GPB-400	100
GPB-450	100





BATHROOM FANS LOW RISE

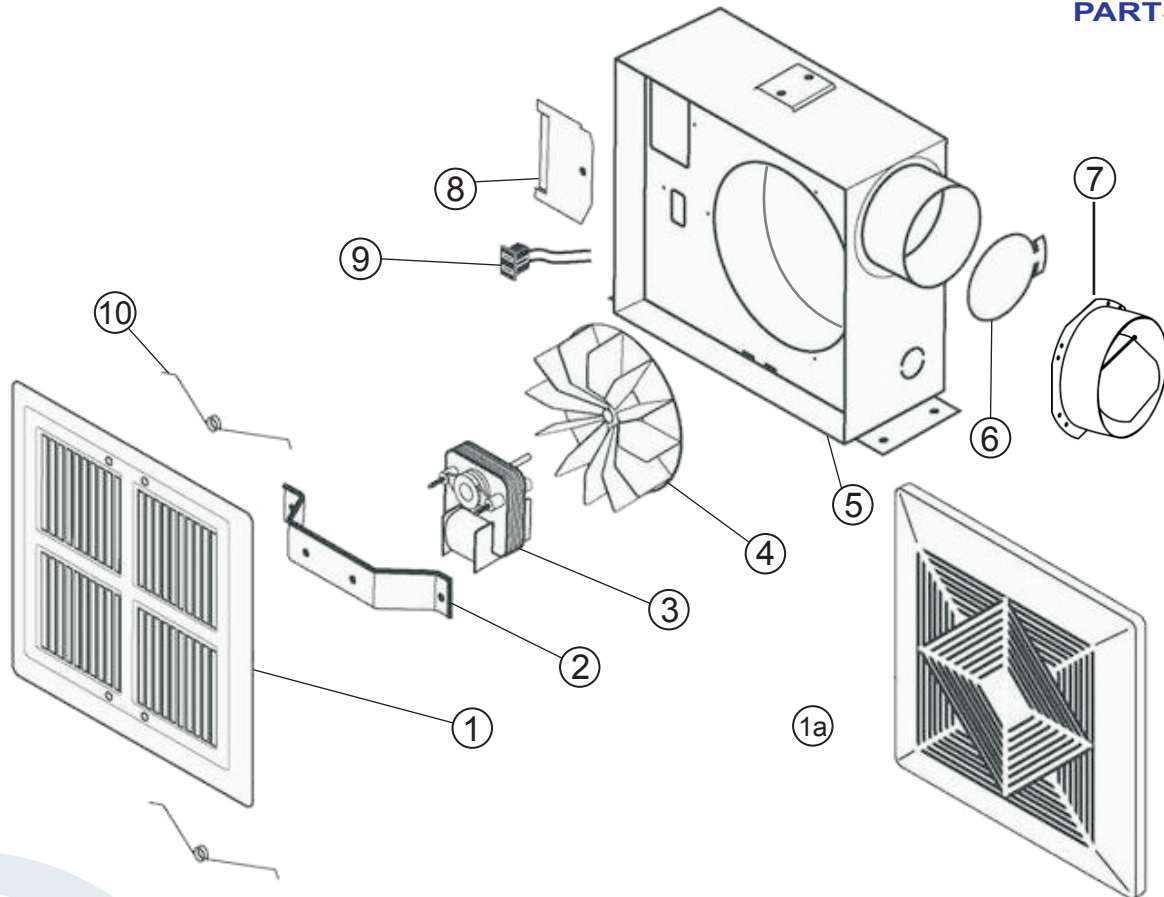
Model	Motor		CFM @ SP											Sones at grille
	RPM	AMPS	0.00	0.05	0.10	0.15	0.20	0.25	0.30	0.35	0.40	0.45	0.50	
EB 45 (US: EB 50)	2000	0.95	55	53	50	48	46	45	43	-	-	-	-	2.5
EB 50 (US: EB 60)	2000	1.00	65	63	60	59	57	56	54	-	-	-	-	2.5
EB 55 (US: EB 70)	2200	1.10	66	65	63	63	62	61	60	-	-	-	-	3.5
RS 85 (US: EB 80)	1080	0.35	87	84	80	76	72	65	50	44	38	-	-	2.5
RS 90	1500	0.50	96	95	93	91	88	81	74	66	58	-	-	2.5
RS 100	1500	0.70	102	101	100	98	97	86	78	71	65	-	-	2.5
B 100	1400	0.60	102	97	92	86	79	72	63	50	35	-	-	3.0
QB 100S (US: QB 100)	1400	0.60	115	111	105	100	92	84	73	60	47	-	-	2.5
EB 100	1550	0.60	120	114	109	102	95	86	75	57	40	-	-	3.0





EB-45 (EB-50 US model), EB-50 (EB-60 US model), EB-55 (EB-70 US model)

PARTS LIST

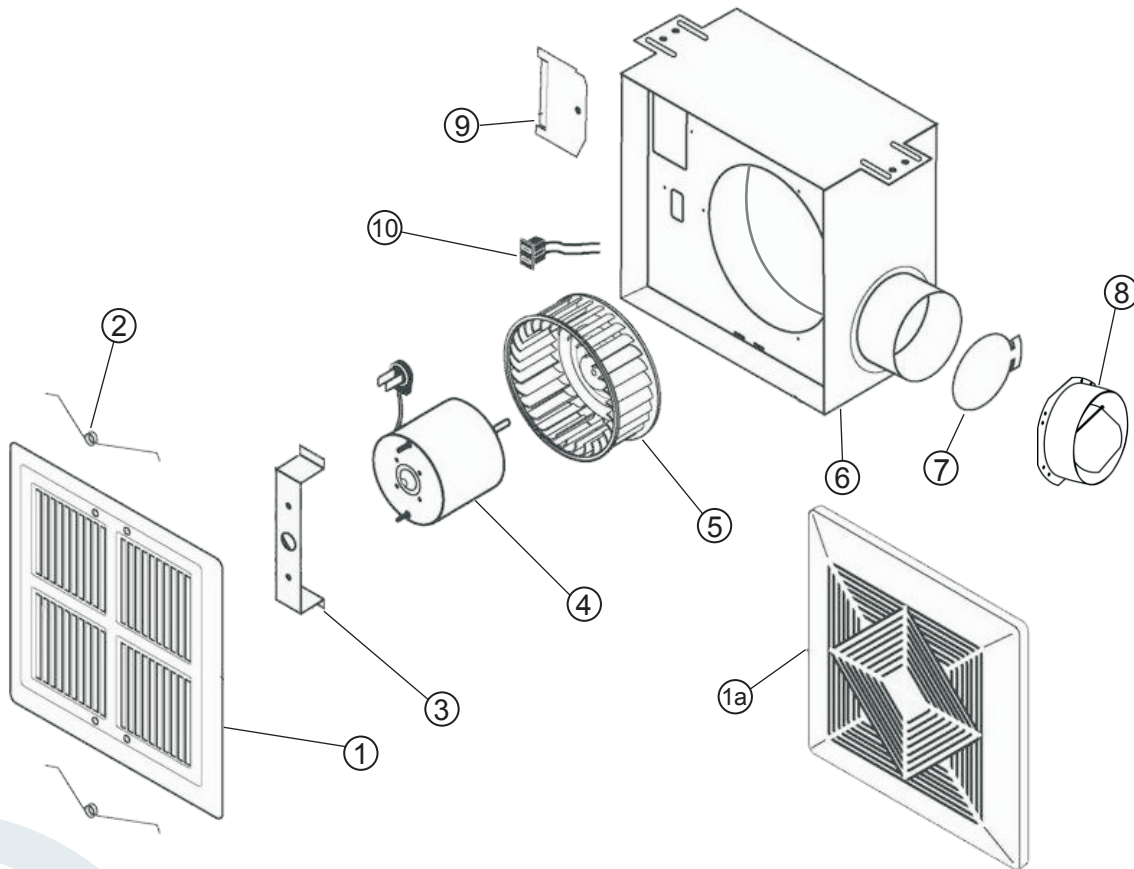


REFERENCE	DESCRIPTION	PART NO.	PRICE
1	Grille Aluminum	011361	19.47
1a	Grille Plastic (Hi-Impact Styrene)	014190	19.47
2	Motor Bracket	011111	9.84
3	Motor EB45, EB50	013005	29.68
	Motor EB55	013002	38.16
4	Blade	013231	7.30
5	Housing	010101	28.23
6	Neoprene Damper	014033	1.75
7	3" dia. Plastic Backdraft Damper	PBD3	4.43
8	Cover Plate	011141	2.37
9	Receptacle	014001	2.37
10	Torsion Spring	014004	2.37

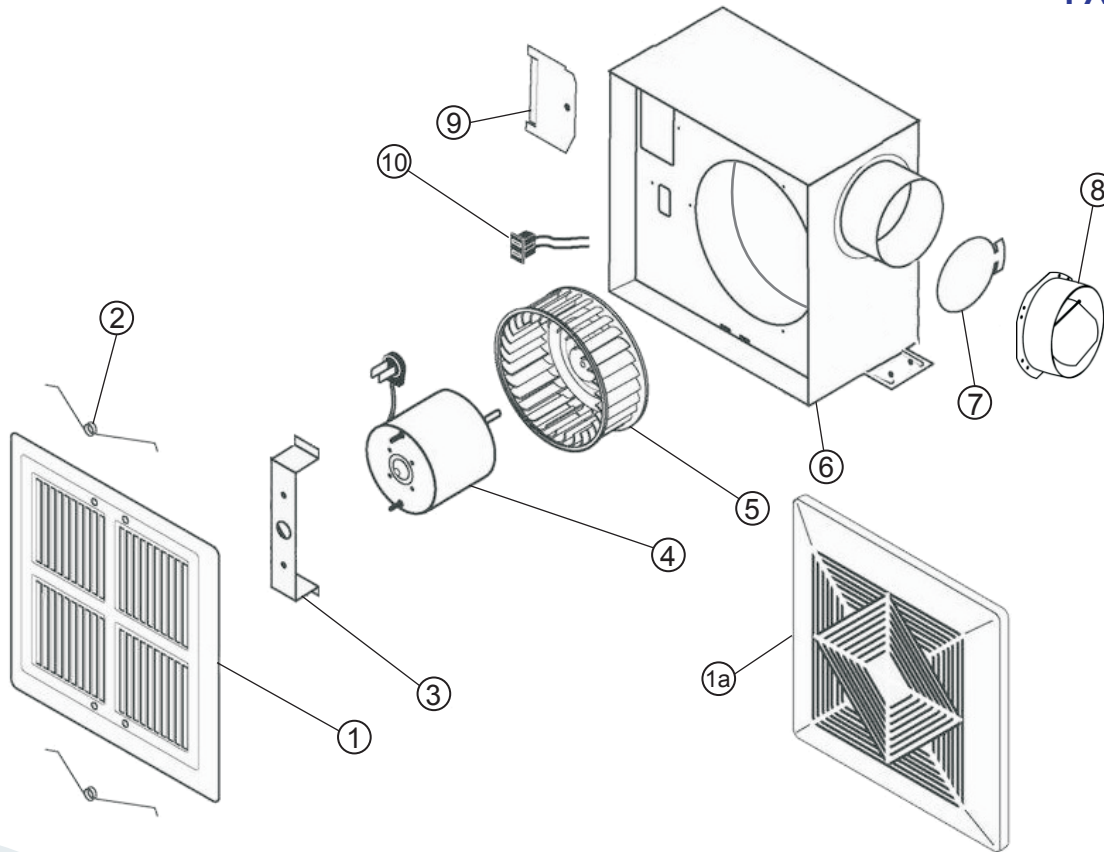


EB-100, RS-85 (EB-80 US model)

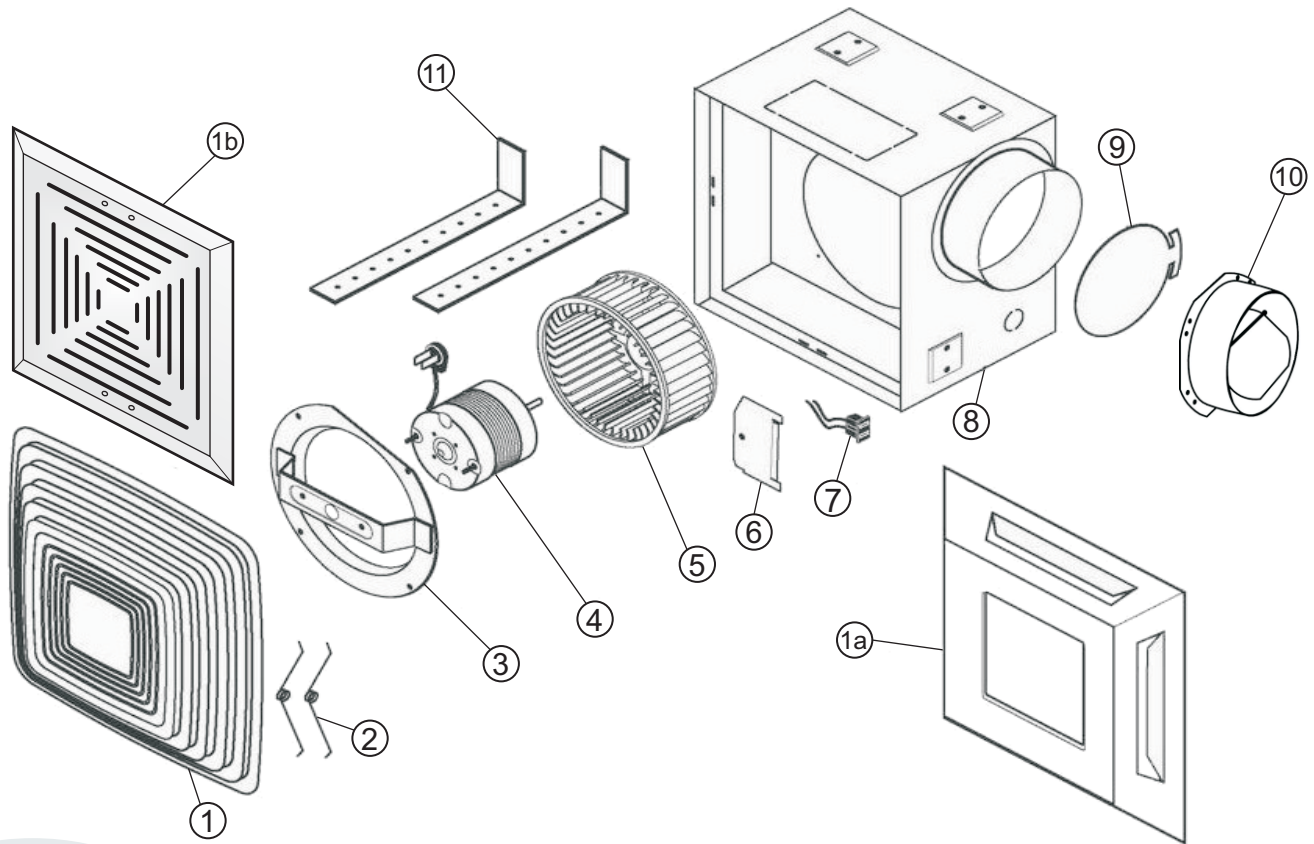
PARTS LIST



REFERENCE	DESCRIPTION	PART NO.	
1	Grille Aluminum	011361	
1a	Grille Plastic (Hi-Impact Styrene)	014190	
2	Torsion Spring	014004	
3	Motor Bracket	011110	
4	Motor EB100	013014	
	Motor RS85	013016	
5	Blower Wheel	013291	
6	Housing	010115	
7	Neoprene Damper	014034	
8	4" dia. Plastic Backdraft Damper	PBD4	
9	Cover Plate	011141	
10	Receptacle	014001	



REFERENCE	DESCRIPTION	PART NO.	
1	Grille Aluminum	011361	
1a	Grille Plastic (Hi-Impact Styrene)	014190	
2	Torsion Spring	014004	
3	Motor Bracket	011110	
4	Motor RS90	013073	
	Motor RS100	013074	
5	Blower Wheel	013291	
6	Housing	010170	
7	Neoprene Damper	014034	
8	4" dia. Plastic Backdraft Damper	PBD4	
9	Cover Plate	011141	
10	Receptacle	014001	

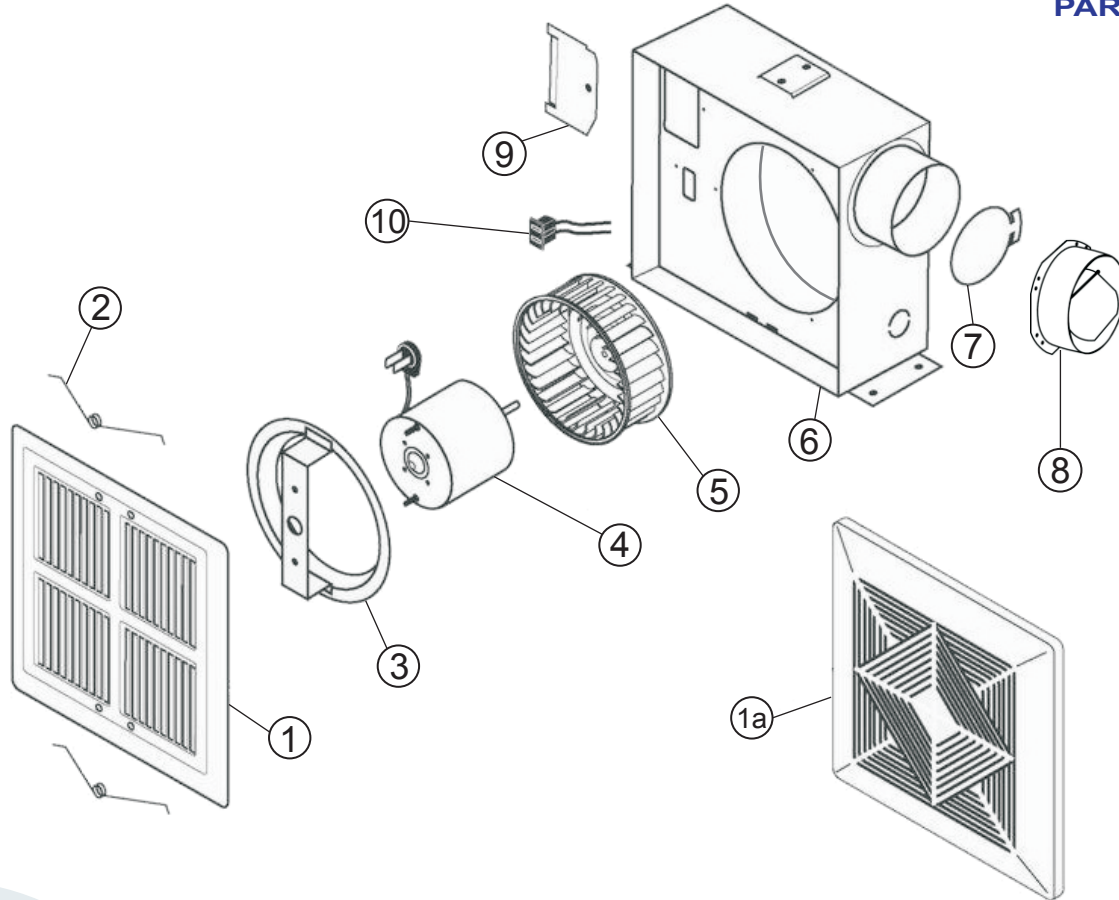


REFERENCE	DESCRIPTION	PART NO.	
1	Grille Plastic (Hi-Impact Styrene)	014191	
1a	Grille Aluminum (Painted White)	011056	
1b	Grille Aluminum (Painted White)	011104	
2	Torsion Spring	014004	
3	Motor Bracket	010232	
4	Motor B-100	013011	
5	Blower Wheel	013207	
6	Cover Plate	011141	
7	Receptacle	014001	
8	Housing B100	4104	
9	Neoprene Damper	014034	
10	4" dia. Plastic Backdraft Damper	PBD4	
11	Hanging Bracket	011135	



BATHROOM FANS FOR HI-RISE CONDOMINIUMS

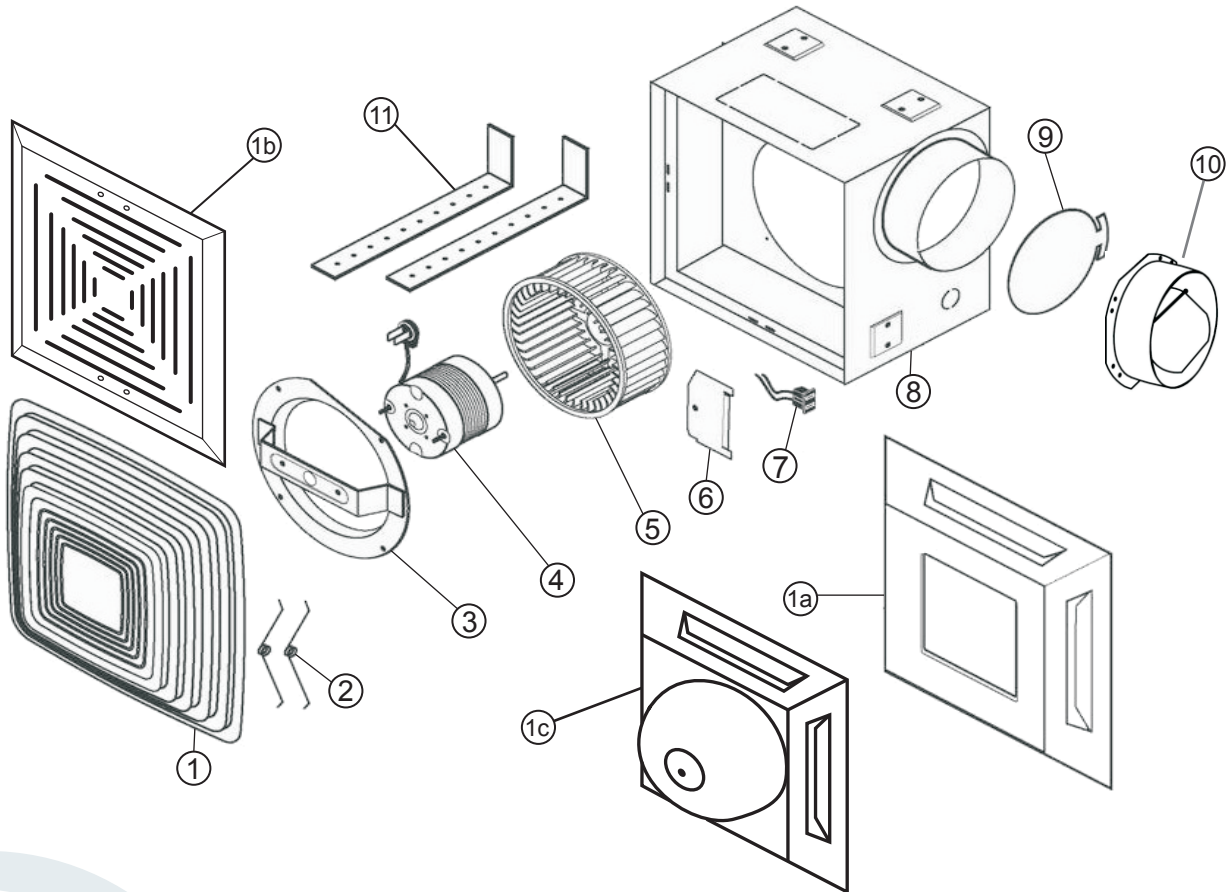
Model	Motor		CFM @ SP											Sones at grille
	RPM	AMPS	0.00	0.05	0.10	0.15	0.20	0.25	0.30	0.35	0.40	0.45	0.50	
QB 60	1250	0.35	59	54	52	49	46	40	34	27	-	-	-	2.0
QB 80BC*	1080	0.40	70	65	60	54	49	40	31	-	-	-	-	0.6
QB 80LT*	1080	0.40	70	65	60	54	49	40	31	-	-	-	-	0.6
B 60	1550	0.60	75	72	68	64	59	53	48	40	32	-	-	2.5
QB 80*	1000	0.35	77	73	69	64	60	53	45	20	-	-	-	2.0
QCF-95	1050	0.35	98	92	87	82	71	62	51	-	-	-	-	1.5
QCF 80 ES*	800	0.20	100	93	87	82	77	73	69	65	62	57	53	0.6
QCF 110	1050	0.60	115	110	105	100	93	84	74	55	37	-	-	1.0
BB-100	1650	1.00	118	113	108	101	93	84	75	65	35	-	-	3.5
QK 130ES*	1000	0.30	120	114	108	103	97	90	82	72	62	51	40	1.5
QCF 125	1050	0.70	121	117	114	110	105	101	96	84	72	56	41	2.0
QCF 110ES*	1200	0.30	124	116	108	100	92	84	75	60	46	-	-	2.0
QCF 125ES*	1010	0.31	126	118	112	109	107	104	101	95	89	78	67	2.0
QCF 125CO	1400	0.60	126	120	118	116	115	112	108	99	90	78	66	2.0
CF 130 (US: QB 130)	1400	0.70	128	124	119	114	108	100	91	79	68	59	51	2.0
QCF 130ES (QCF 130BC)*	1010	0.31	136	130	120	116	110	105	98	89	79	67	55	1.3
QCF 150 (US: CFS 150)	1100	1.00	145	139	134	128	123	116	110	102	94	82	71	2.5
QK 150ES*	800	0.30	154	142	135	129	123	116	109	101	93	80	67	1.0
CF 170 (US: QCF 170)	1400	0.70	158	151	144	137	129	120	111	102	94	86	78	2.5
QK 160 ES*	900	0.33	173	166	159	153	148	215	134	126	118	109	100	1.5
CF 170BC*	1400	0.70	179	171	163	152	144	134	123	108	93	77	61	1.5
CF 170ES*	1400	0.70	179	171	163	152	144	134	123	108	93	77	61	1.5
QK 180 ES*	950	0.40	203	195	188	180	172	164	157	148	140	130	121	2.0



REFERENCE	DESCRIPTION	PART NO.	
1	Grille Aluminum	011361	
1a	Grille Plastic (Hi-Impact styrene)	014190	
2	Torsion Spring	014004	
3	Motor Bracket	010232	
4	Motor QB60	013013	
	Motor B60	013012	
5	Blower Wheel	013205	
6	Housing QB60	4098	
	Housing B60	4100	
7	Neoprene Damper	014033	
8	3" dia. Plastic Backdraft Damper	PBD3	
9	Cover Plate	011141	
10	Receptacle	014001	

Reversomatic Manufacturing Ltd.

790 Rowntree Dairy Road, Woodbridge, ON Canada L4L 5V3 • Tel: 905-851-6701 • Fax: 905-851-8376
www.reversomatic.com • info@reversomatic.com

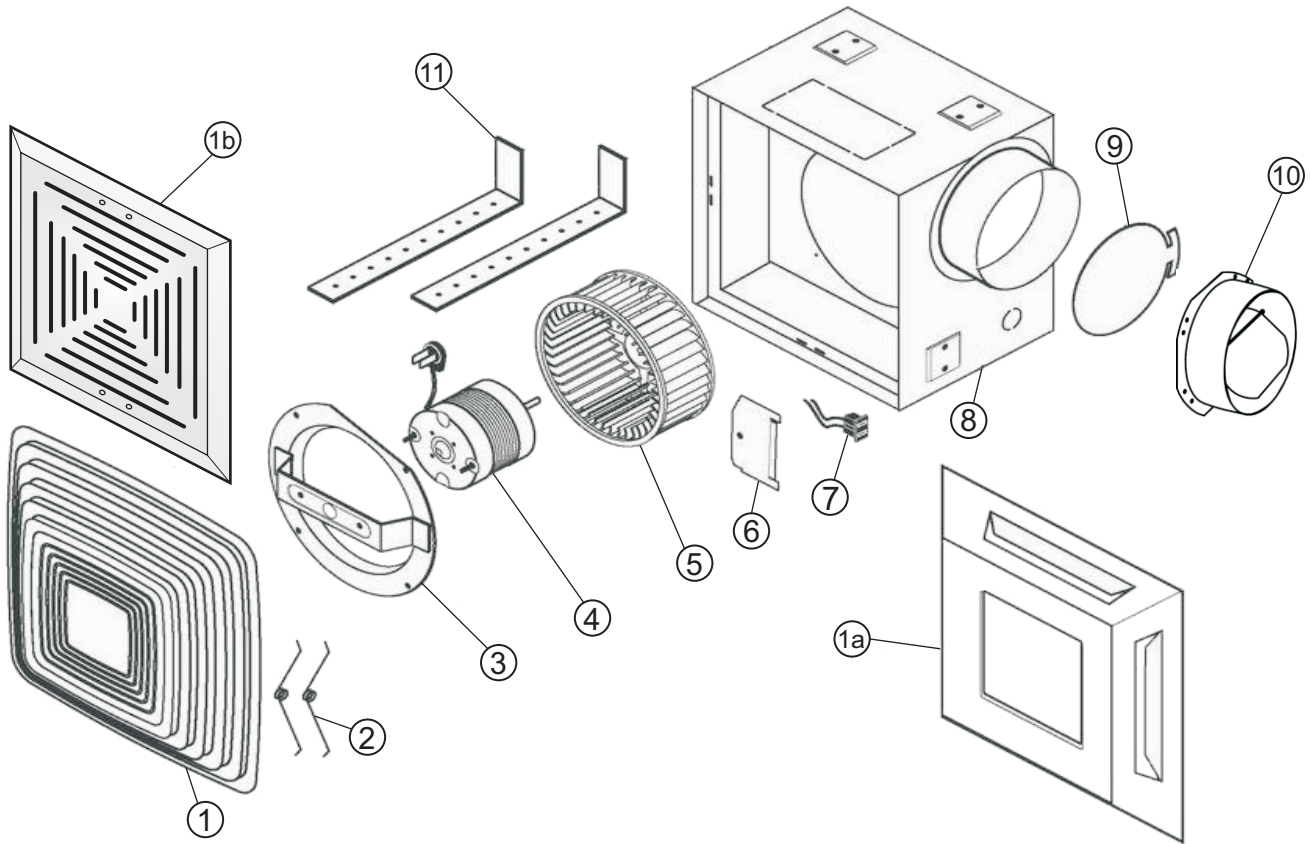


REFERENCE	DESCRIPTION	PART NO.	
1	Grille Plastic (Hi-Impact Styrene)	014191	
1a	Grille (Painted White)	011056	
1b	Grille (Painted White)	011104	
2	Torsion Spring	014004	
3	Motor Bracket	010232	
4	Motor QB-80BC and QB-80LT	013013	
5	Blower Wheel	013207	
6	Cover Plate	011141	
7	Receptacle	014001	
8	Housing QB-80BC and QB-80LT	4102	
9	Neoprene Damper	014034	
10	4" dia. Plastic Backdraft Damper	PBD4	
11	Mounting Bracket	011135	

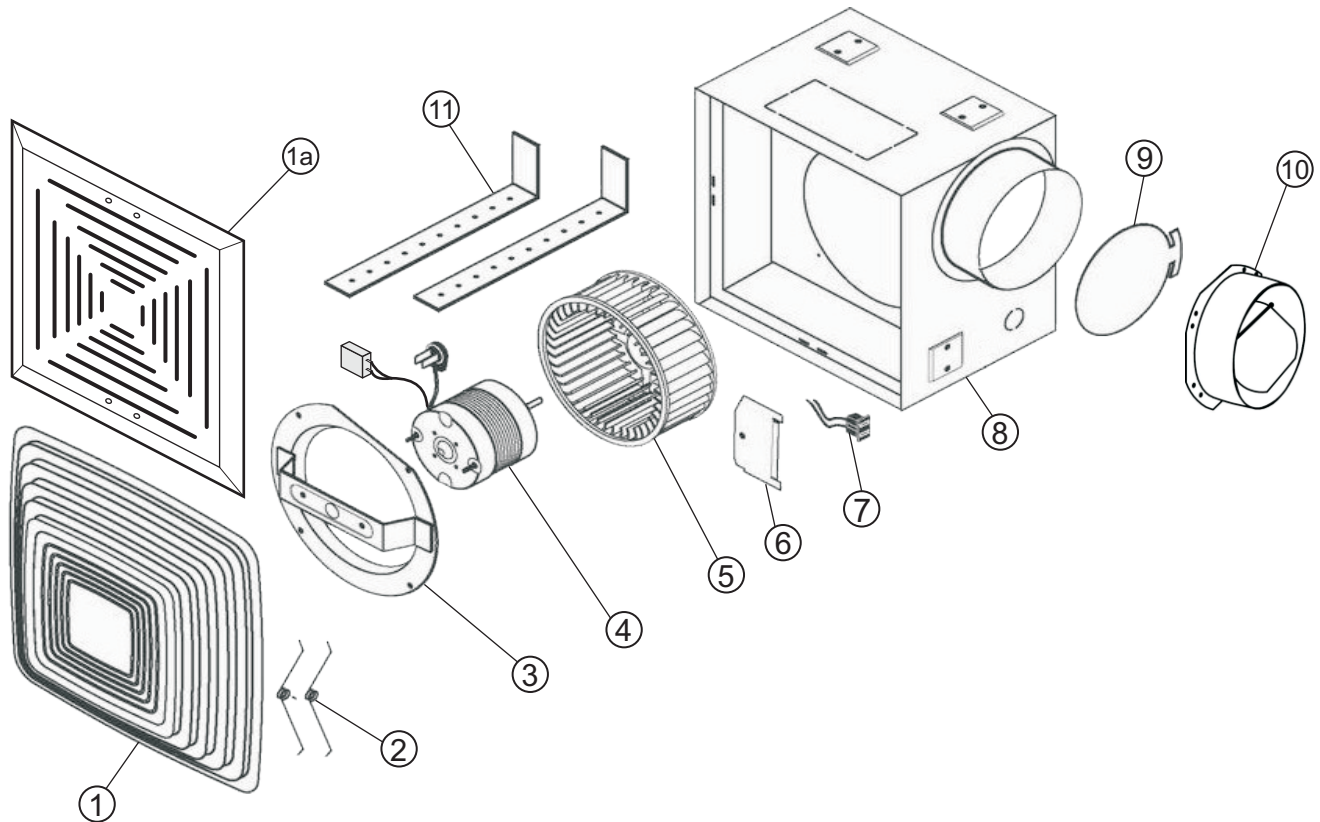


QB-80, QB-100S (QB-100 US model)

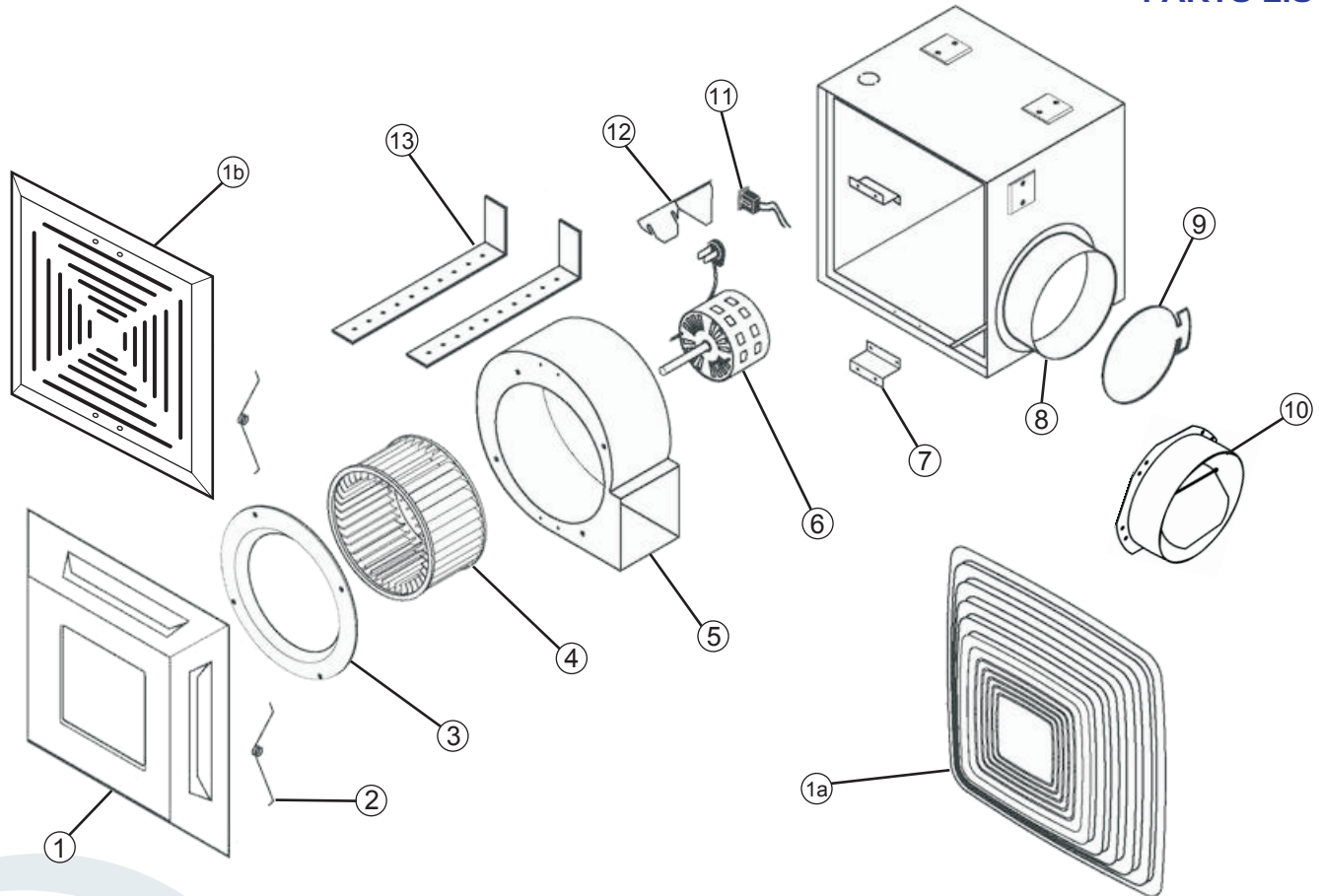
PARTS LIST



REFERENCE	DESCRIPTION	PART NO.	
1	Grille Plastic (Hi-Impact Styrene)	014191	
1a	Grille (Painted White)	011056	
1b	Grille Aluminum (Painted White)	011104	
2	Torsion Spring	014004	
3	Motor Bracket	010232	
4	Motor QB-80	013013	
	Motor QB-100S	013015	
5	Blower Wheel	013207	
6	Cover Plate	011141	
7	Receptacle	014001	
8	Housing QB80	4102	
	Housing Insulated QB100S	010154	
9	Neoprene Damper	014034	
10	4" dia. Plastic Backdraft Damper	PBD4	
11	Mounting Bracket	011135	



REFERENCE	DESCRIPTION	PART NO.	
1	Grille Plastic (Hi-Impact Styrene)	014191	
1a	Grille (Painted White)	011104	
2	Torsion Spring	014004	
3	Motor Bracket	010232	
4	Motor QCF-80ES	013010	
	Motor QK-130ES	013009	
5	Blower Wheel QCF-80ES	013226	
	Blower Wheel QK-130ES	013206	
6	Cover Plate	011141	
7	Receptacle	014001	
8	Housing QCF-80ES, QK-130ES	4139	
9	Neoprene Damper	014034	
10	5" dia. Plastic Backdraft Damper	PBD5	
11	Mounting Bracket	011135	



REFERENCE	DESCRIPTION	PART NO.
1	Grille (Painted White)	011056
1a	Grille Plastic (Hi-Impact Styrene)	014191
1b	Grille Aluminum (Painted White)	011104
2	Torsion Spring	014004
3	Cover Plate / Ring	011081
4	Blower Wheel	013208
5	Blower Housing	010220
6	Motor	013017
7	Blower Mtg. Brackets	011071
8	Housing	4118
9	Neoprene Damper	014035
10	5" dia. Plastic Backdraft Damper	PBD5
11	Receptacle	014001
12	Electrical Box / Cover	011143
13	Mounting Bracket	011135

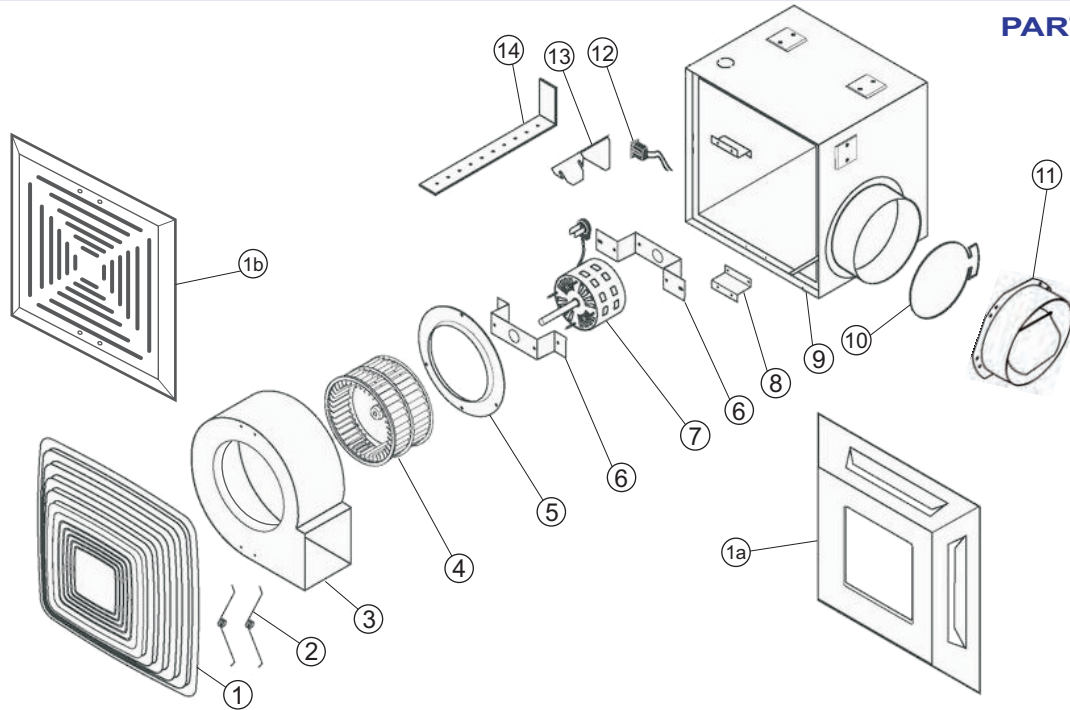
Reversomatic Manufacturing Ltd.

790 Rowntree Dairy Road, Woodbridge, ON Canada L4L 5V3 • Tel: 905-851-6701 • Fax: 905-851-8376
www.reversomatic.com • info@reversomatic.com

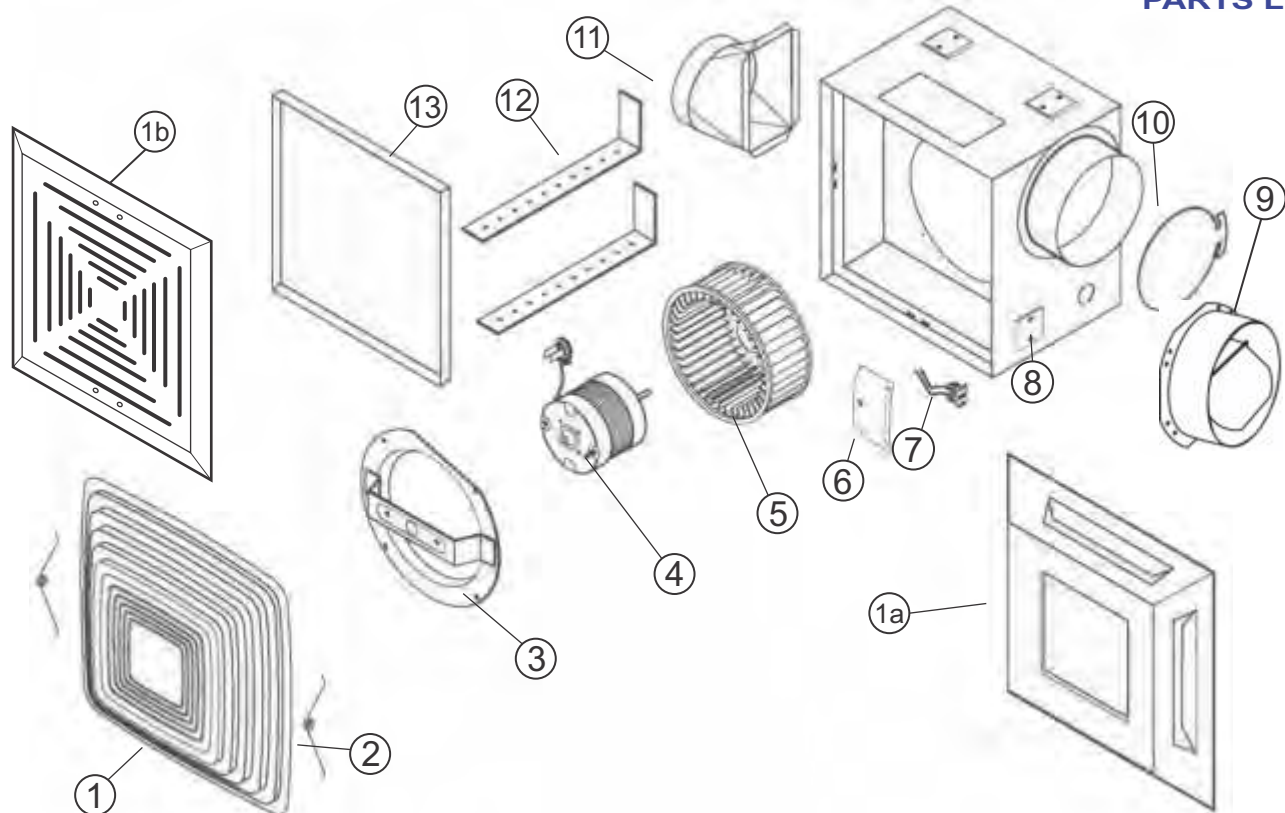


CF-130 (QB-130 US model), QCF-110, QCF-110ES

PARTS LIST



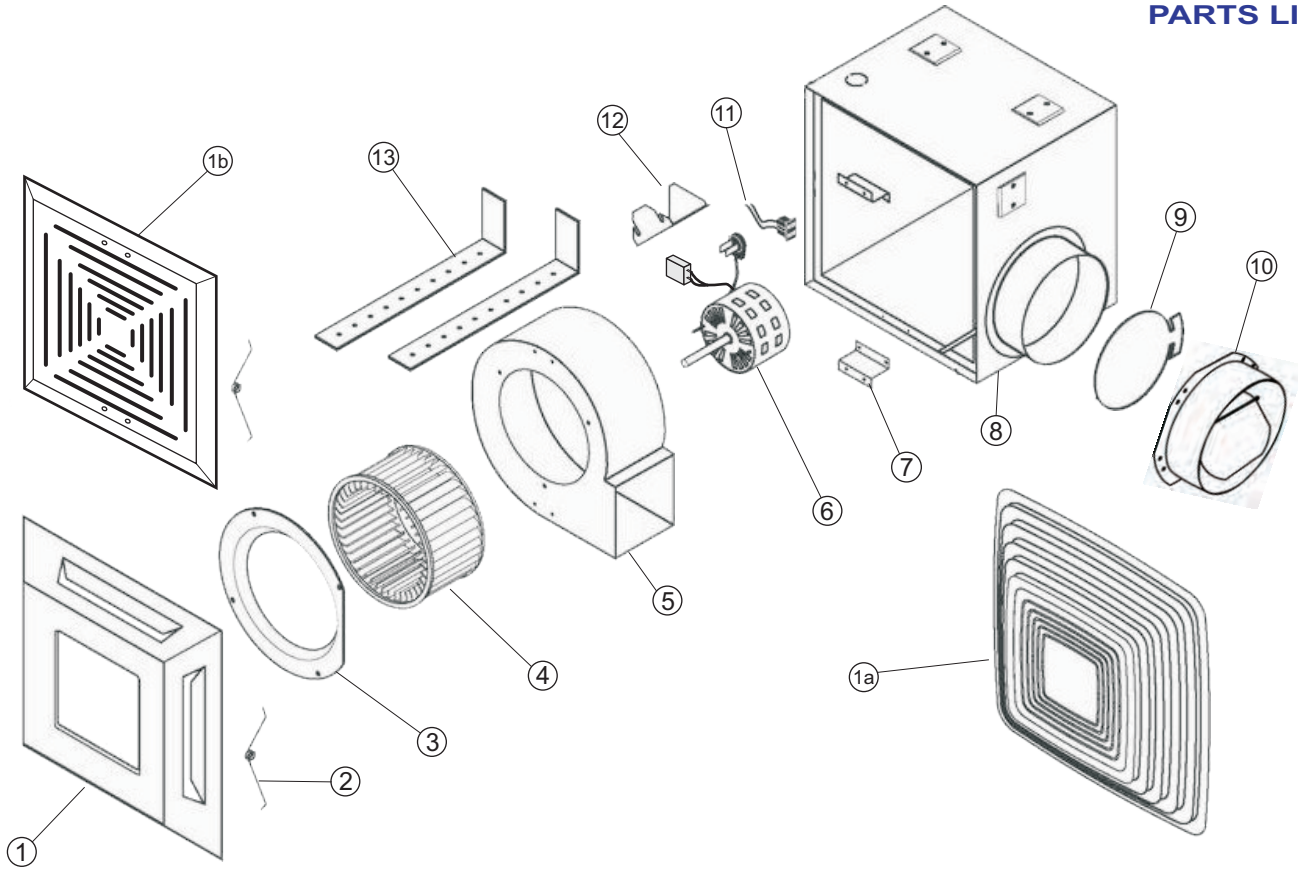
REFERENCE	DESCRIPTION	PART NO.	
1	Grille Plastic (Hi-Impact Styrene)	014191	
1a	Grille (Painted White)	011056	
1b	Grille Aluminum (Painted White)	011104	
2	Torsion Spring	014004	
3	Blower Housing	010220	
4	Blower Wheel	013202	
5	Cover Plate / Ring	011081	
6	Top/Bottom 2.25 Motor Brackets	011110	
7	Motor CF130	013003	
	Motor QCF110	013008	
	Motor QCF110ES	013001	
8	Blower Mtg. Bracket	011071	
9	Housing QCF110, CF130	4160	
	Housing QCF110ES	4202	
10	5" dia. Plastic Backdraft Damper	PBD5	
11	Neoprene Damper	014035	
12	Receptacle	014001	
13	Electrical Box / Cover	011143	
14	Mounting Bracket	011135	



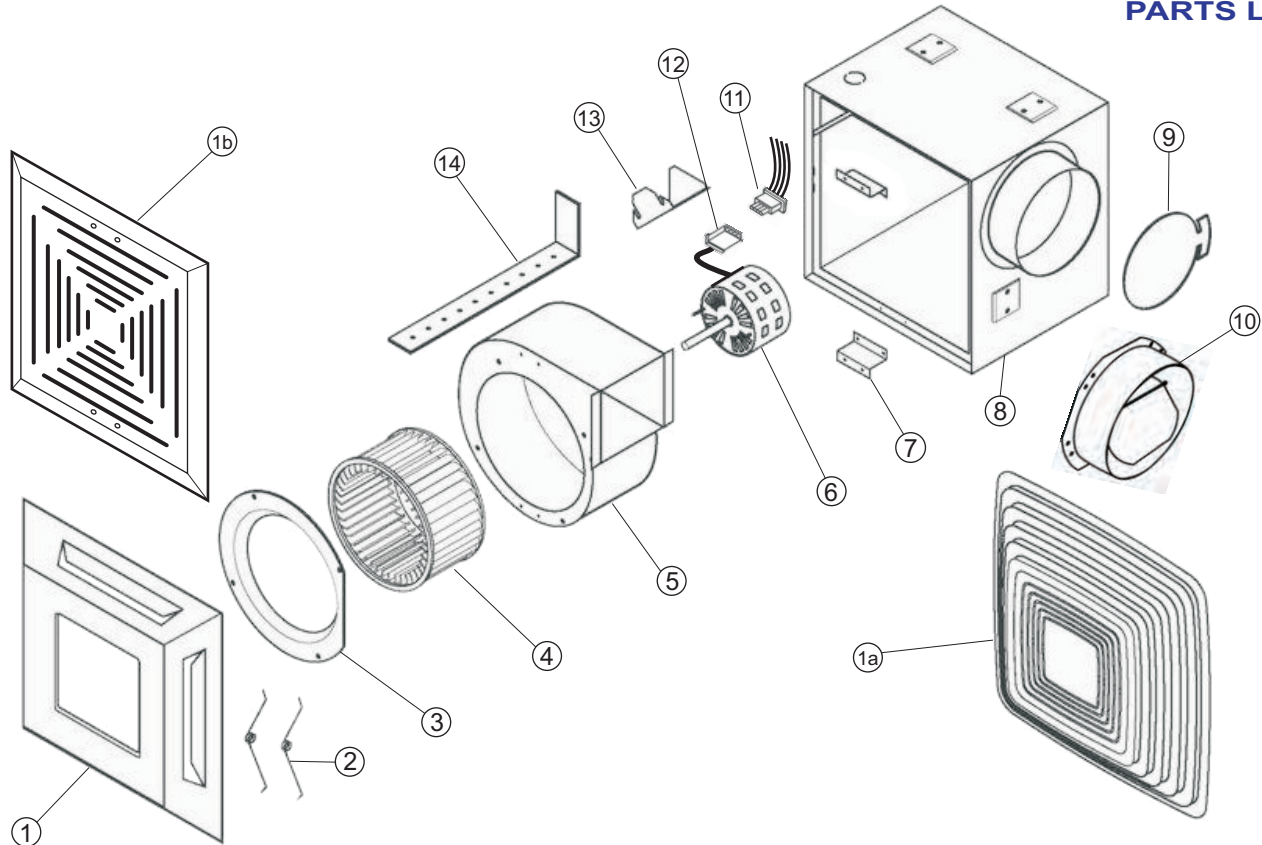
REFERENCE	DESCRIPTION	PART NO.	
1	Grille Plastic (Hi Impact Styrene)	014191	
1a	Grille	011056	
1b	Grille Aluminum	011104	
2	Torsion Spring	014004	
3	Motor Bracket	010232	
4	Motor	013019	
5	Blower Wheel	013207	
6	Cover Plate	011141	
7	Receptacle	014001	
8	Housing	010103	
9	4" dia. Plastic Backdraft damper	PBD4	
10	Neoprene Damper	014034	
11	Transition (In-line)	BB100T-04	
12	Mounting Bracket	011135	
13	S. Plate (In-line)	011126	

Reversomatic Manufacturing Ltd.

790 Rowntree Dairy Road, Woodbridge, ON Canada L4L 5V3 • Tel: 905-851-6701 • Fax: 905-851-8376
www.reversomatic.com • info@reversomatic.com



REFERENCE	DESCRIPTION	PART NO.	
1	Grille (Painted White)	011056	
1a	Grille Plastic (Hi-Impact Styrene)	014191	
1b	Grille Aluminum (Painted White)	011104	
2	Torsion Spring	014004	
3	Cover Plate / Ring	011082	
4	Blower Wheel	013212	
5	Blower Housing	010220	
6	Motor QCF-125	013028	
	Motor QCF-125ES	013043	
7	Blower Mtg. Brackets	011071	
8	Housing	010151	
9	Neoprene Damper	014035	
10	5" dia. Plastic Backdraft Damper	PBD5	
11	Receptacle	014001	
12	Electrical Box / Cover	011143	
13	Mounting Bracket	011135	

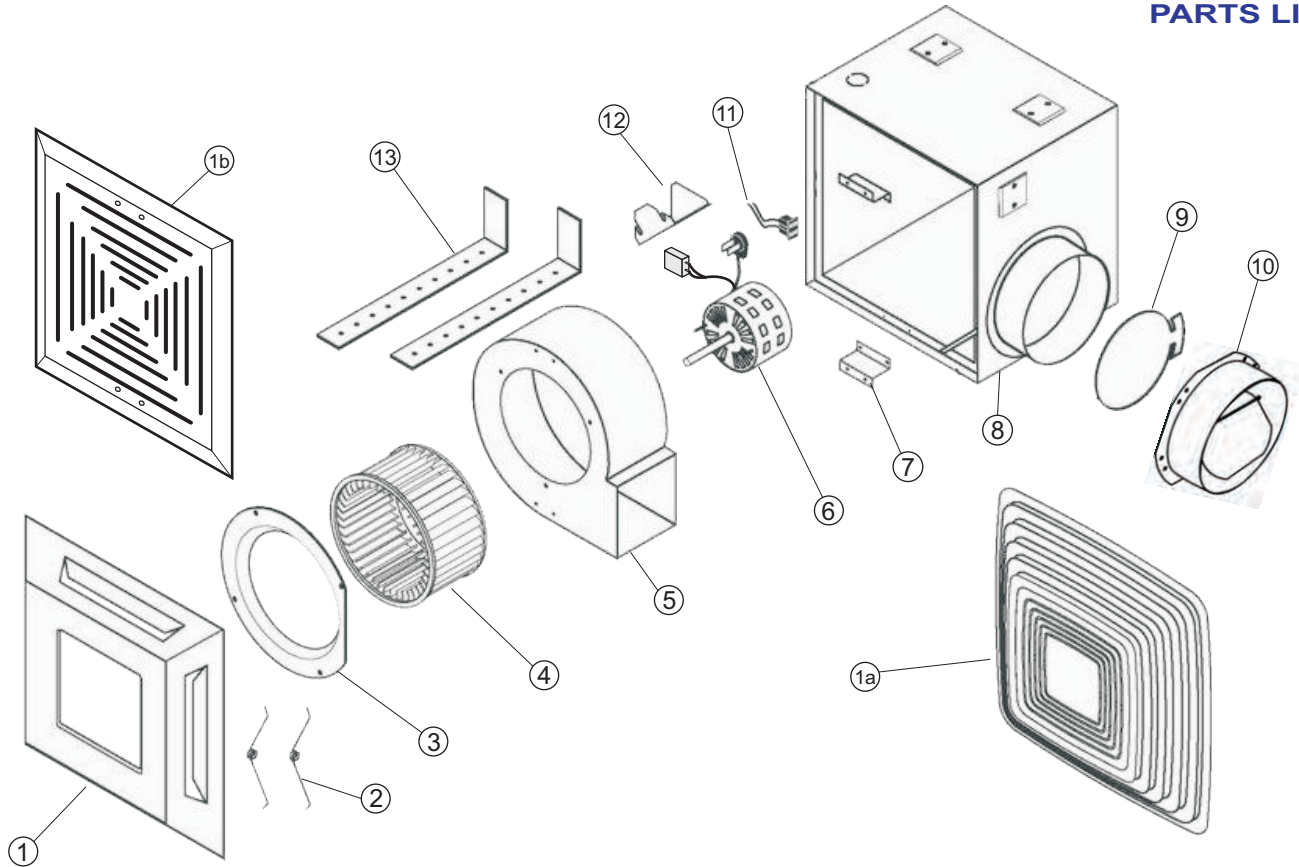


REFERENCE	DESCRIPTION	PART NO.
1	Grille (Painted White)	011056
1a	Grille Plastic (Hi-Impact Styrene)	014191
1b	Grille Aluminum (Painted White)	011104
2	Torsion Spring	014004
3	Cover Plate / Ring	011082
4	Blower Wheel	013206
5	Blower Housing	010220
6	Motor	013031
7	Blower Mtg. Brackets	011071
8	Housing	010151
9	Neoprene Damper	014035
10	5" dia. Plastic Backdraft Damper	PBD5
11	Connector (M)	014042
12	Connector (F)	014041
13	Electrical Box / Cover	011143
14	Mounting Bracket	011135

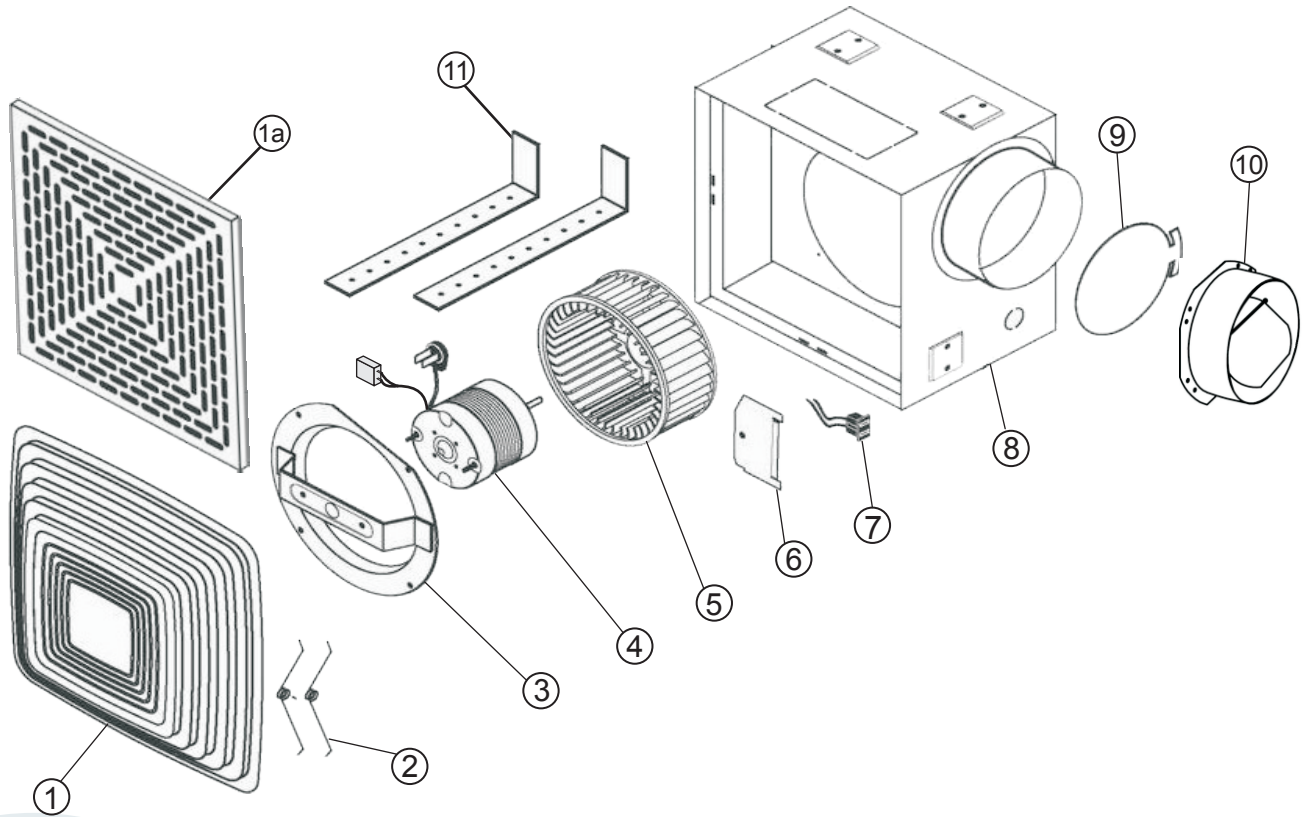
Reversomatic Manufacturing Ltd.



PARTS LIST



REFERENCE	DESCRIPTION	PART NO.	
1	Grille (Painted White)	011056	
1a	Grille Plastic (Hi-Impact Styrene)	014191	
1b	Grille Aluminum (Painted White)	011104	
2	Torsion Spring	014004	
3	Cover Plate / Ring	011082	
4	Blower Wheel	013215	
5	Blower Housing	010231	
6	Motor	013043	
7	Blower Mtg. Brackets	011071	
8	Housing	010153	
9	Neoprene Damper	014035	
10	5" dia. Plastic Backdraft Damper	PBD5	
11	Receptacle	014001	
12	Electrical Box / Cover	011143	
13	Mounting Bracket	011135	

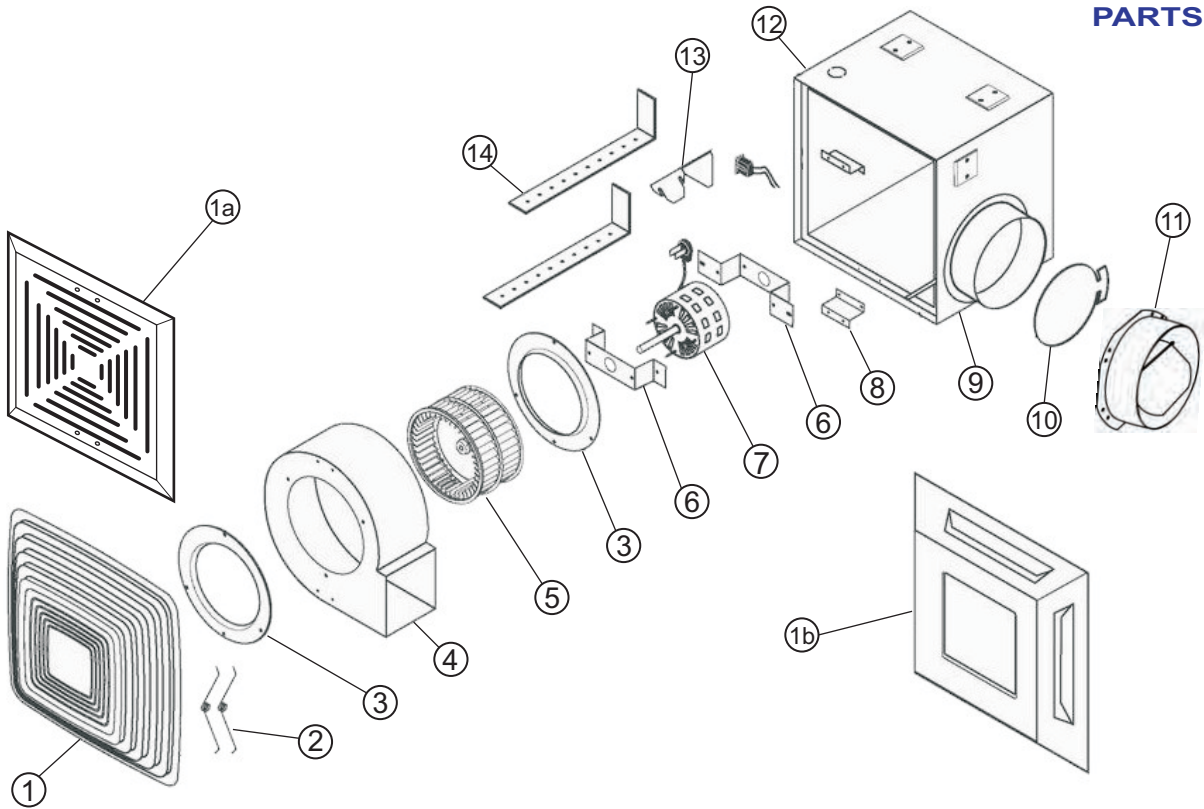


REFERENCE	DESCRIPTION	PART NO.	
1	Grille Plastic (Hi-Impact Styrene)	014192	
1a	Grille Aluminum (Painted)	011184	
2	Torsion Spring	014004	
3	Motor Bracket	010232	
4	Motor	013009	
5	Blower Wheel	013284	
6	Cover Plate	011141	
7	Receptacle	014001	
8	Housing	4301	
9	Neoprene Damper	014034	
10	6" dia. Plastic Backdraft Damper	PBD6	
11	Mounting Bracket	011135	



CF-170 (QCF-170 US model), CF-170ES, CF-170BC

PARTS LIST



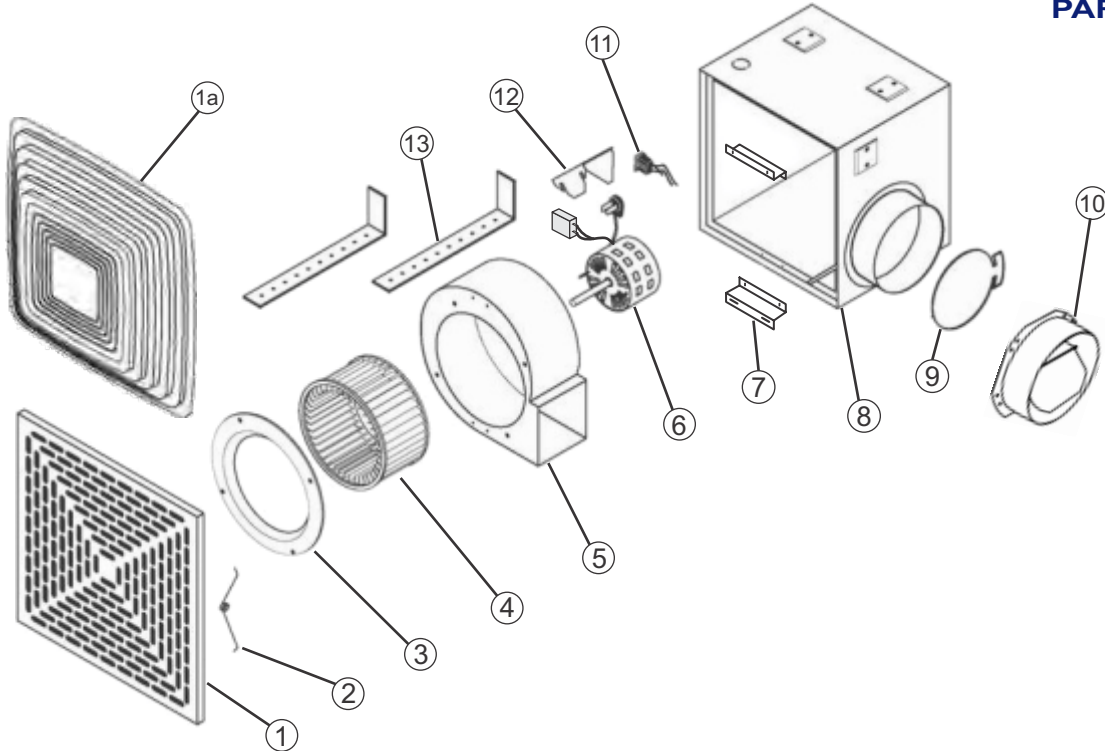
REFERENCE	DESCRIPTION	PART NO.	
1	Grille Plastic (Hi-Impact Styrene)	014191	
1a	Grille (Painted White)	011056	
1b	Grille Aluminum (Painted White)	011104	
2	Torsion Spring	014004	
3	Cover Plate / Ring	011081	
4	Blower Housing	010220	
5	Blower Wheel	013283	
6	Top / Bottom Motor Bracket	011123	
7	Motor CF170	013001	
	Motor CF170ES / BC	013044	
8	Blower Mtg. Bracket	011071	
9	Housing	4160	
10	Neoprene Damper	014035	
11	5" dia. Plastic Backdraft Damper	PBD5	
12	Receptacle	014001	
13	Electrical Box / Cover	011143	
14	Hanging Bracket	011135	

Reversomatic Manufacturing Ltd.



QB-140, QCF-150(CFS-150 US model), QK-160ES, QK-180ES

PARTS LIST



REFERENCE	DESCRIPTION	PART NO.	
1	Grille Aluminum (Painted)	011184	
1a	Grille Plastic (Hi-Impact Styrene)	014192	
2	Torsion Spring	014004	
3	Cover Plate / Ring	011082	
4	Blower Wheel QCF150, QB140	013212	
	Blower Wheel QK160ES, QK180ES	013284	
5	Blower Housing QCF150, QB140	010224	
	Blower Housing QK160ES, QK180ES	010230	
6	Motor QCF150, QB140	013029	
	Motor QK160ES	013035	
	Motor QK180ES	013036	
7	Blower Mtg. Bracket	011072	
8	Housing QCF150, QB140	4167	
	Housing QK160ES, QK180ES	4301	
9	Neoprene Damper	014036	
10	5" dia. Plastic Backdraft Damper QCF150, QB140, QK160ES	PBD5	
	6" dia. Plastic Backdraft Damper QK180ES	PBD6	
11	Receptacle	014001	
12	Electrical Box / Cover	011204	
13	Hanging Bracket	011135	



FANS SUITABLE FOR KITCHEN INSTALLATION

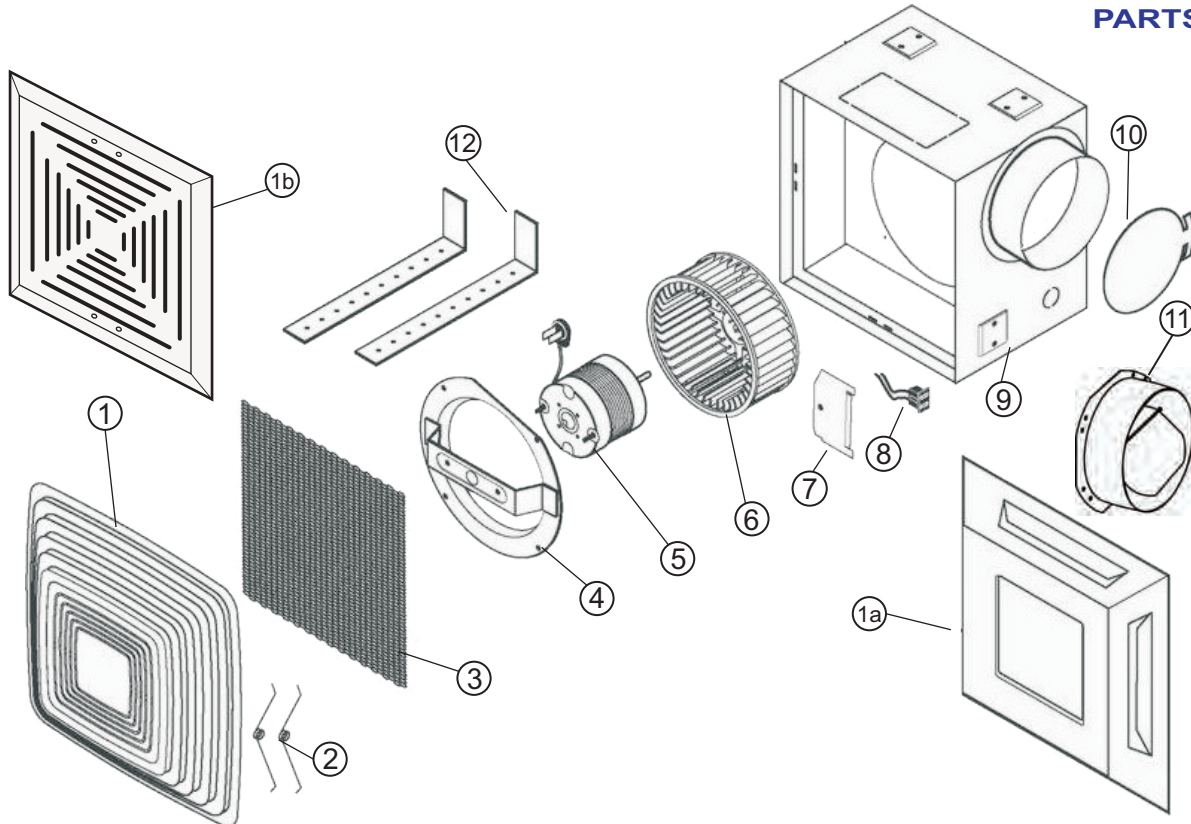
Model	Motor		CFM @ SP											Sones
	RPM	AMPS	0.00	0.05	0.10	0.15	0.20	0.25	0.30	0.35	0.40	0.45	0.50	at grille
K 100 (US: QB 120)	1650	0.90	119	114	108	102	96	88	80	70	57	-	-	3.3
QK 100 (US: QB 150)	1050	0.90	129	126	123	120	116	113	108	103	98	90	82	3.5
BK 100 (US: QB 200)	1550	1.40	186	182	176	172	166	160	154	147	140	132	124	4.5





K-100 (QB-120 US Model), QK-100 (QB-150 US Model)

PARTS LIST

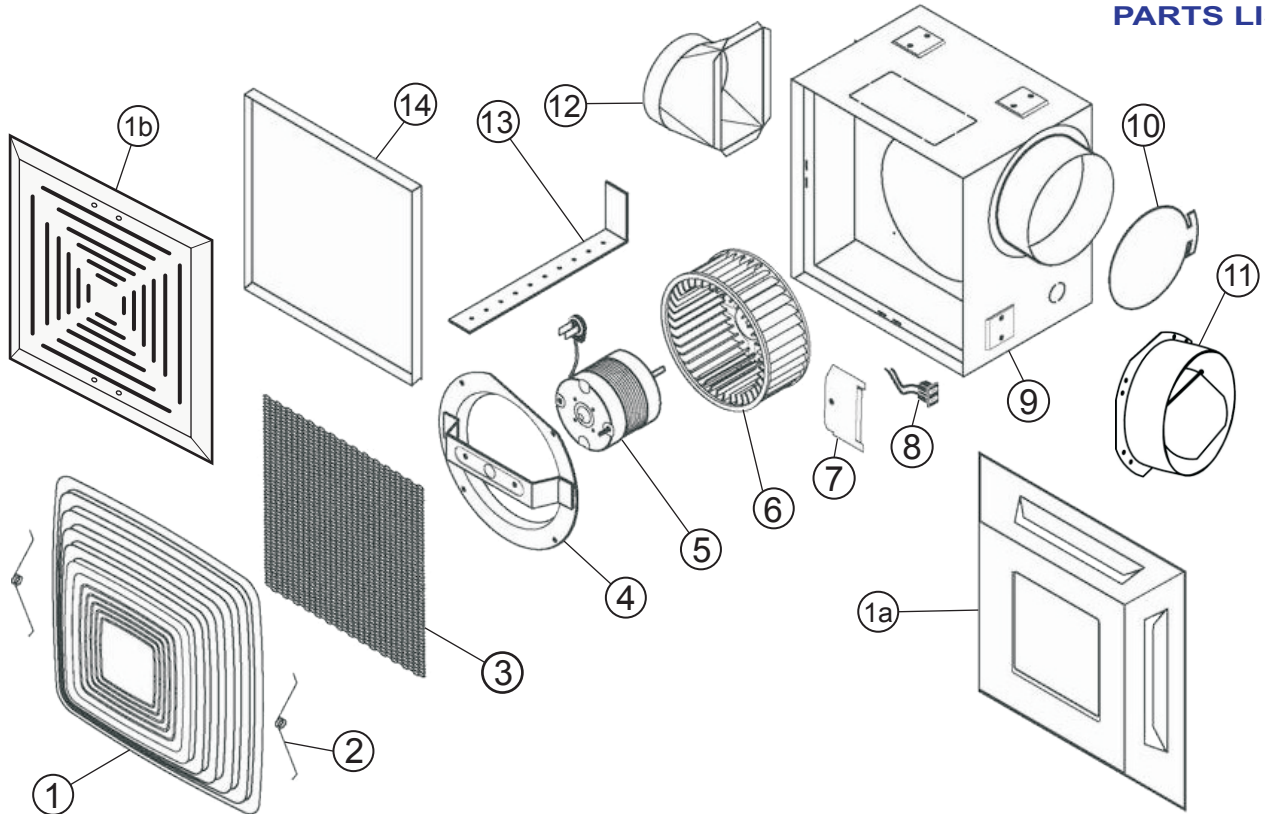


REFERENCE	DESCRIPTION	PART NO.	
1	Grille plastic (Hi-Impact Styrene)	014191	
1a	Grille Aluminum (Painted White)	011056	
1b	Grille (Painted White)	011104	
2	Torsion Spring	014004	
3	Filter (No Frame)	014067	
4	Motor Bracket K100	010232	
	Motor Bracket QK100	010234	
5	Motor K100	013018	
	Motor QK100	013020	
6	Blower Wheel K100	013207	
	Blower Wheel QK100	013211	
7	Cover Plate	011141	
8	Receptacle	014001	
9	Housing K100	4108	
	Housing QK100	010105	
10	Neoprene Damper	014034	
11	4" dia. Plastic Backdraft Damper	PBD4	
12	Mounting Bracket	011135	

Reversomatic Manufacturing Ltd.



PARTS LIST



REFERENCE	DESCRIPTION	PART NO.	
1	Grille Plastic (Hi-Impact Styrene)	014191	
1a	Grille (Painted White)	011056	
1b	Grille Aluminum (Painted White)	011104	
2	Torsion Spring	014004	
3	Filter - No Frame	014067	
4	Motor Bracket	010234	
5	Motor BK100	013024	
6	Blower Wheel BK100	013211	
7	Cover Plate	011141	
8	Receptacle	014001	
9	Housing	010105	
10	Neoprene Damper	014035	
11	5" dia. Plastic Backdraft Damper	PBD5	
12	Transition (In-line)	BK100T-05	
13	Hanging Bracket	011135	
14	S. Plate (In-line)	011126	

Reversomatic Manufacturing Ltd.



FAN-LIGHT COMBO

Model	Motor		CFM @ SP											Sones at grille
	RPM	AMPs	0.00	0.05	0.10	0.15	0.20	0.25	0.30	0.35	0.40	0.45	0.50	
FFL SERIES	0	0.00	-	-	-	-	-	-	-	-	-	-	-	0.0
EBL SERIES	0	0.00	-	-	-	-	-	-	-	-	-	-	-	0.0
QBL SERIES	0	0.00	-	-	-	-	-	-	-	-	-	-	-	0.0
FL 80	220	1.12	80	76	73	68	64	62	60	57	55	51	48	3.0
FLH80	220	1.12	80	77	73	69	64	62	60	58	55	52	48	3.0



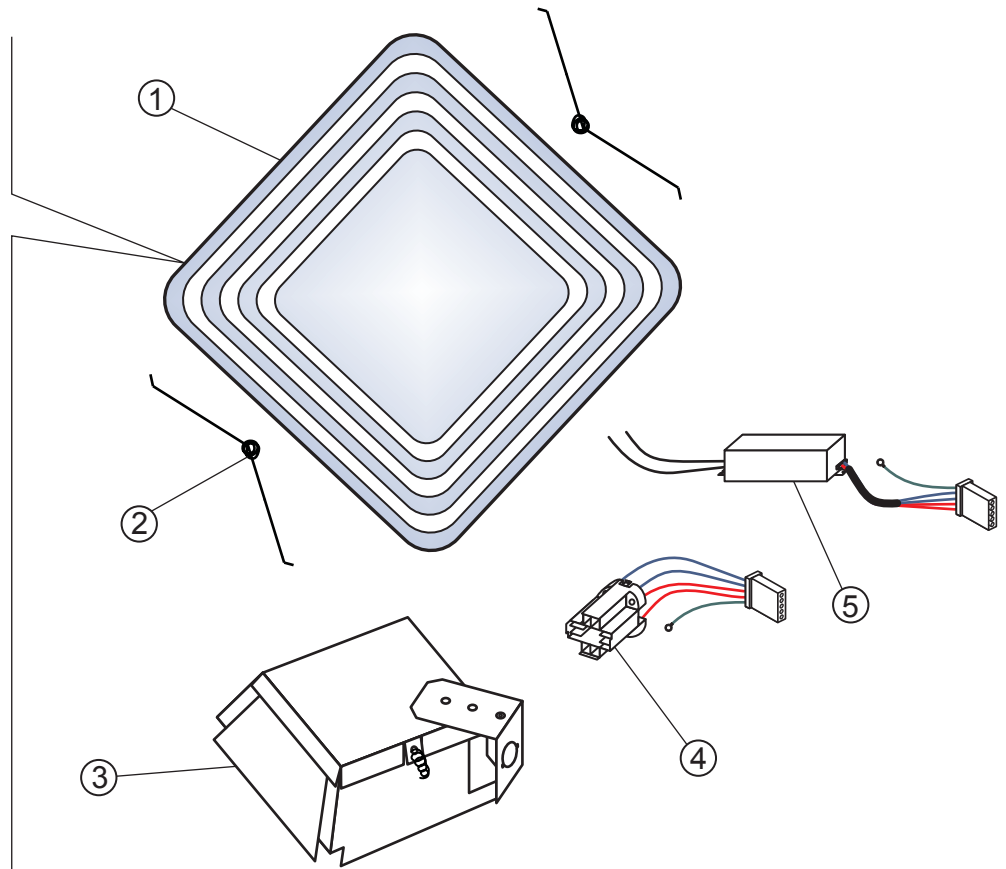


Grille Size
12 ½ x 12 ½
available for:

EB-45, 50, 55
B-60, QB-60
RS-85, 90,100
EB-100
QB-80
B-100
QB-100S
BB-100
K-100
QK-100
BK-100
QCF-95
QCF-110
QCF-125
QCF-130 ES
CF-130
CF-170
QB-80LT
QCF-80 ES
QCF-110 ES
QCF-125 ES
QK-130 ES
CF-170 ES
QB-80 BC

Grille Size
13 ½ x 13 ½
available for:

QCF-150
QK-150ES
QK-160ES
QK-180ES
CFS-150
CFS-250
CFS-350

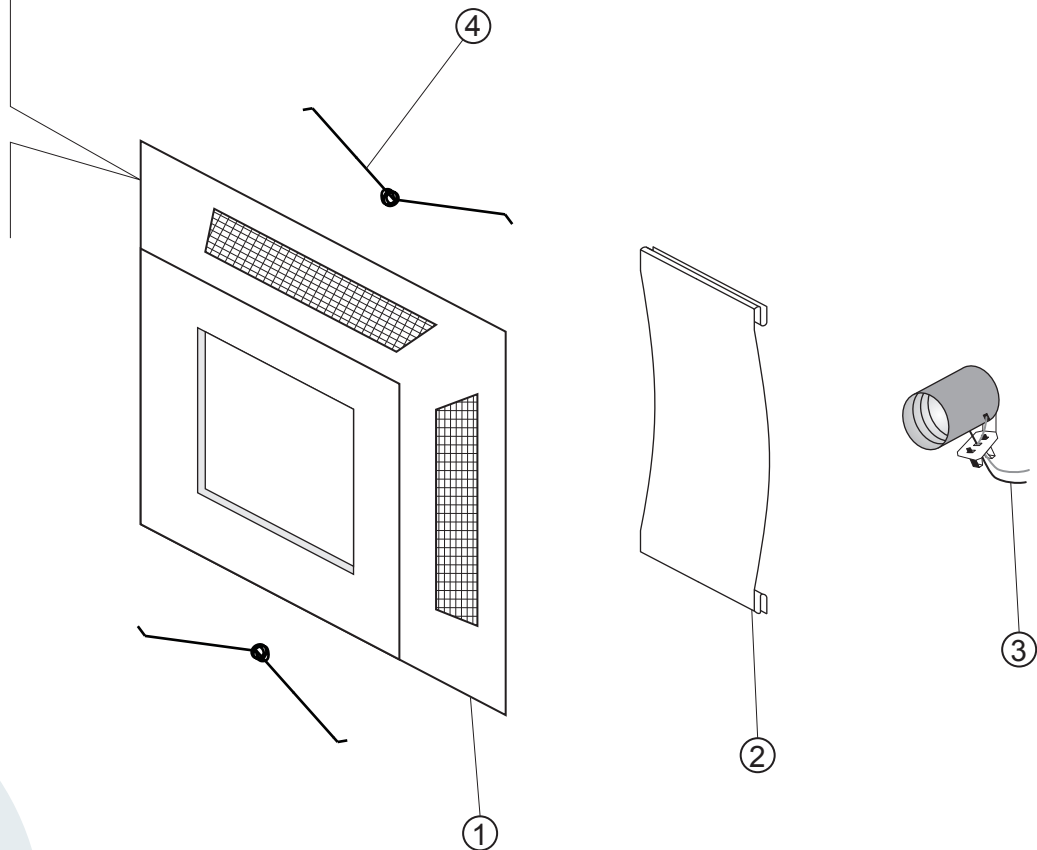


REFERENCE	DESCRIPTION	PART NO.	
1	Grille 12 ½ x 12 ½	014195	
	Grille 13 ½ x 13 ½	014196	
2	Torsion Spring	014004	
3	Steel Bracket	014197	
4	Socket c/w Molex M Connector	014198	
5	Ballast c/w Molex F Connector	014199	



Available for:

- EBL-50
- EBL-60
- EBL-70
- EBL-80
- EBL-100

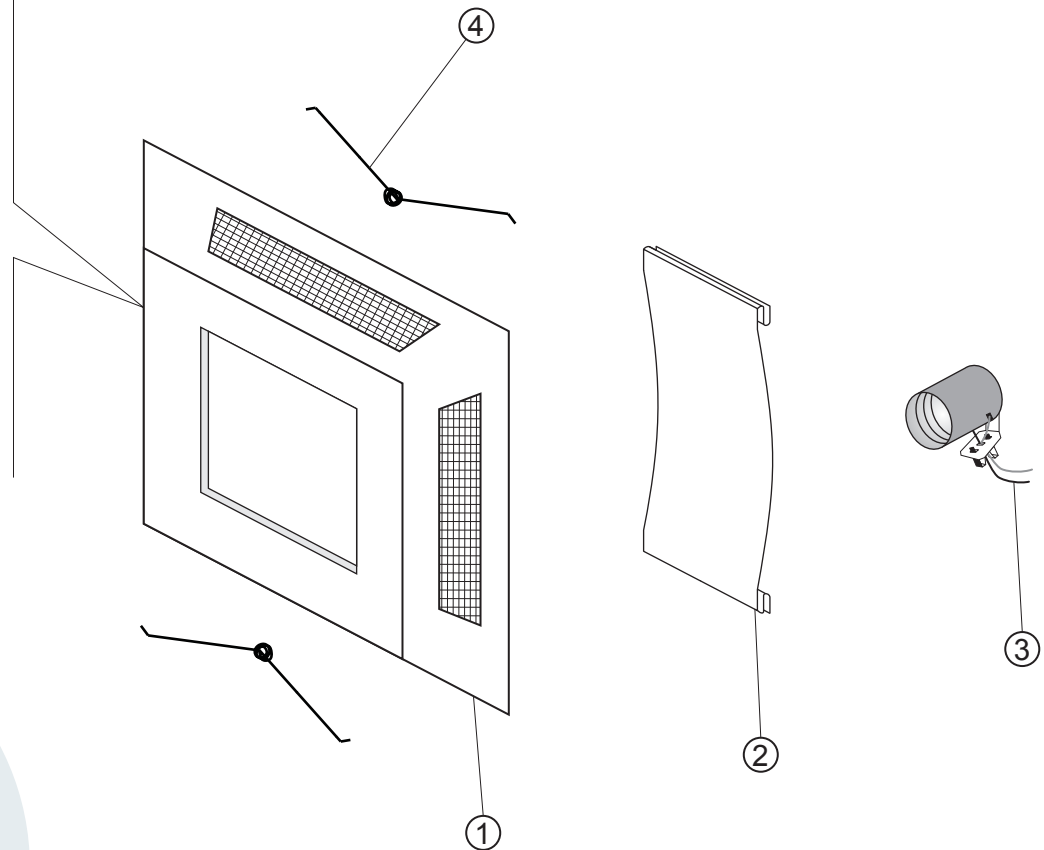


REFERENCE	DESCRIPTION	PART NO.	
1	Grille (Painted)	4067	
2	Baffle	010269	
3	Socket	014006	
4	Torsion Spring	014004	

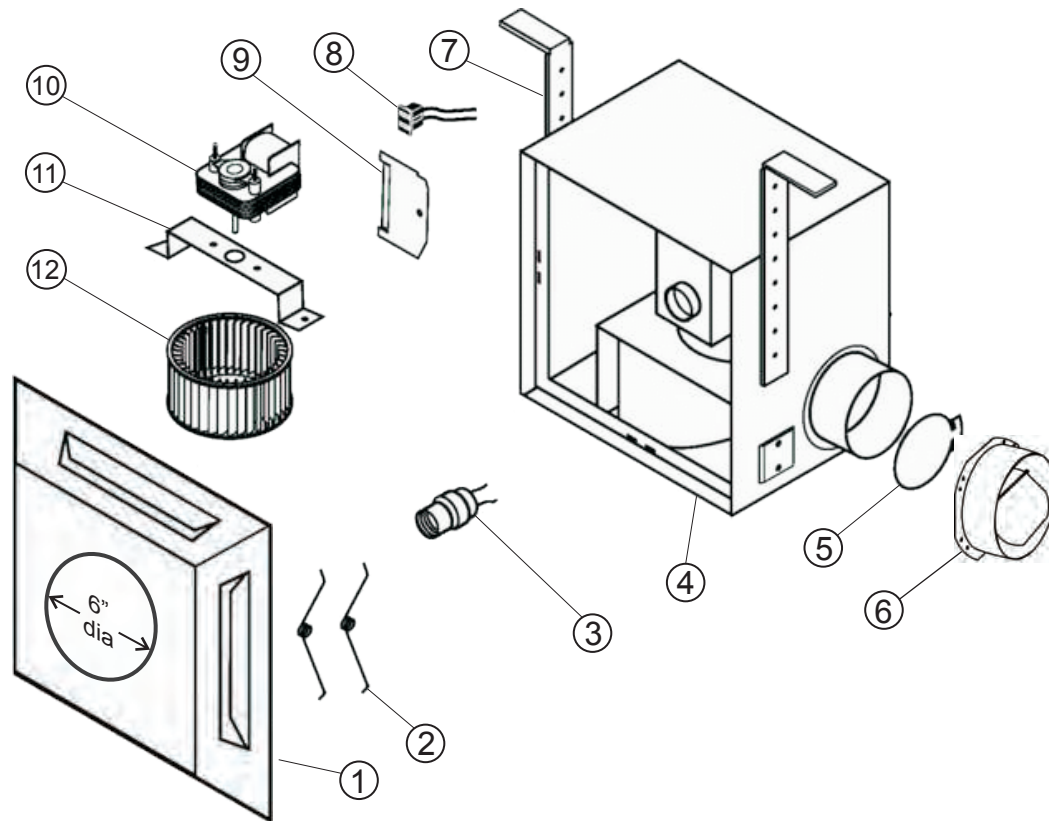


Available for:

- QBL-80
- QBL-100
- QBL-120
- QBL-130
- QBL-150
- QBL-200
- QCFL-95
- QCFL-110
- QCFL-125
- QCFL-170



REFERENCE	DESCRIPTION	PART NO.	
1	Grille (Painted)	4067	
2	Baffle	010269	
3	Socket	014006	
4	Torsion Spring	014004	

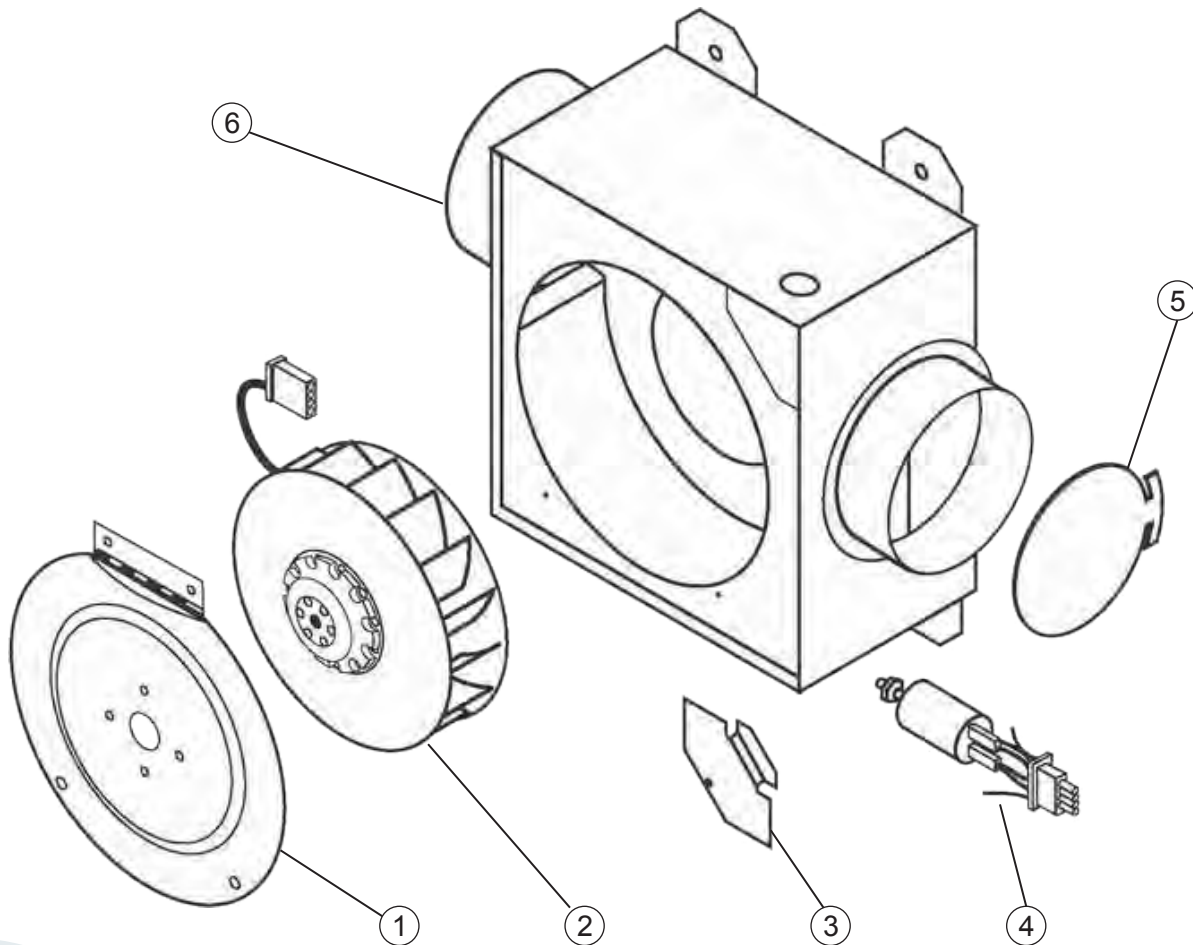


REFERENCE	DESCRIPTION	PART NO.	
1	Snap in Grille (Painted)	011157	
2	Torsion Spring	014004	
3	Socket	014006	
4	Housing	010102	
5	Neoprene Damper	014034	
6	4" dia. Plastic Backdraft Damper	PBD4	
7	Mounting Bracket	011135	
8	Receptacle	014001	
9	Cover Plate	011141	
10	Motor	013004	
11	Motor Bracket	011120	
12	Blower Wheel	013201	

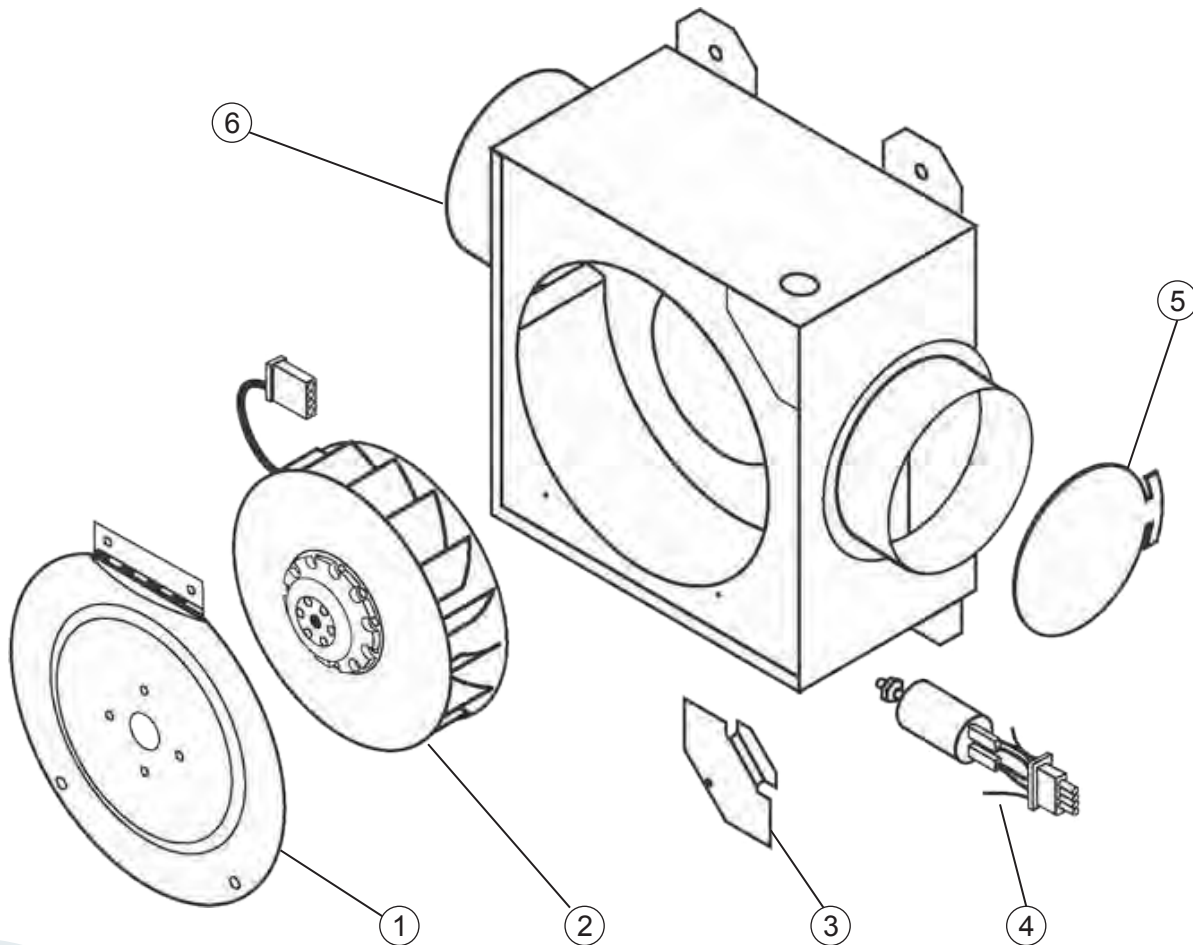


DRYER BOOSTER FANS SINGLE AND DOUBLE INLET

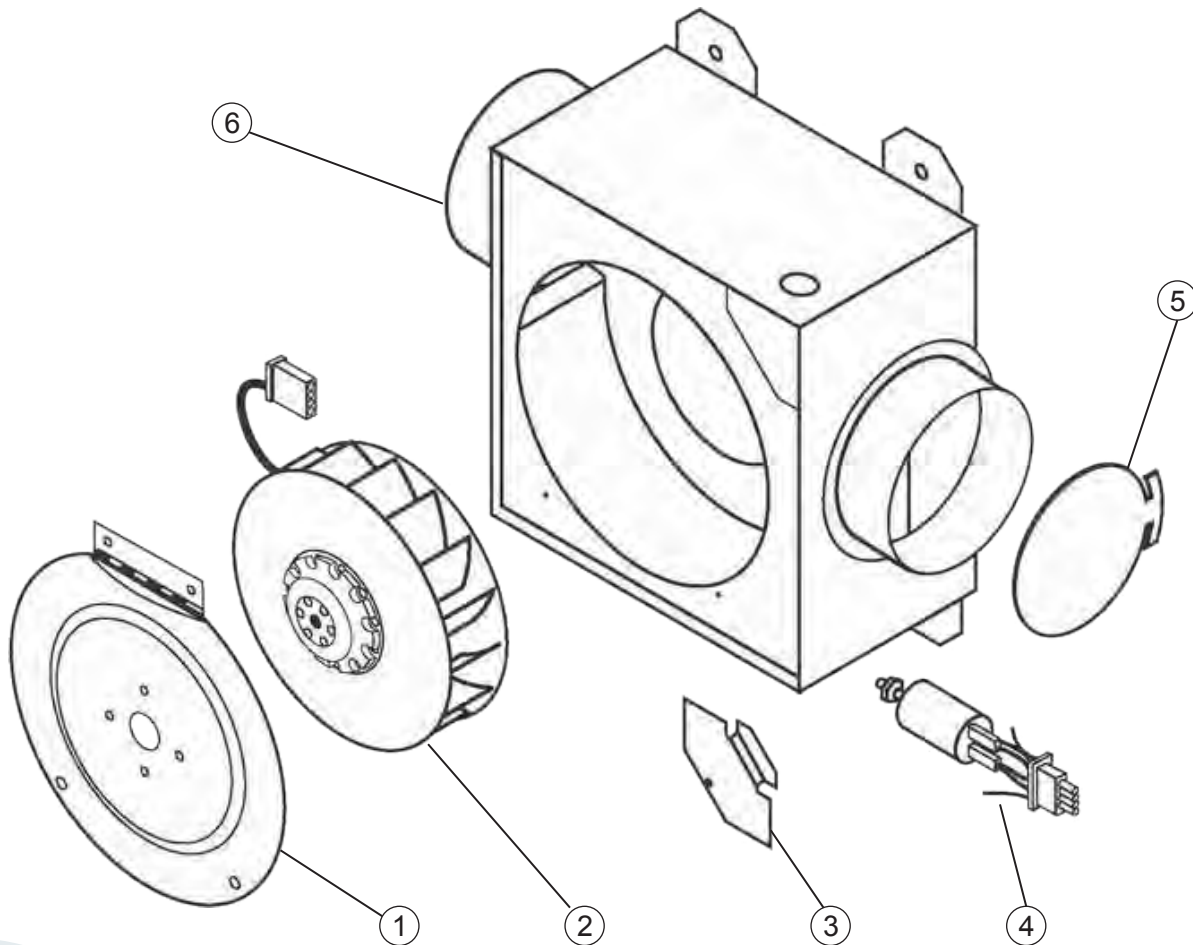
Model	Motor		CFM @ SP											Sones at grille
	RPM	AMPs	0.00	0.05	0.10	0.15	0.20	0.25	0.30	0.35	0.40	0.45	0.50	
RI 150	2500	0.70	156	152	148	144	140	136	132	129	125	118	112	2.2
PW 200	1670	1.15	170	162	154	145	136	127	118	108	98	83	68	2.5
TLD 200 1 inlet	2500	0.70	175	170	165	161	157	152	148	144	140	137	134	2.4
PWS 100	1550	1.20	189	181	174	166	158	149	140	130	120	109	98	2.3
PWS 200	1550	2.30	205	197	185	178	171	163	155	145	135	121	108	2.5
TLD 200 2 inlets	2500	0.70	208	202	197	190	184	179	175	170	165	160	156	2.4
RI 200	2500	0.70	214	206	198	192	186	179	173	166	159	152	146	2.5
TLD 200ES 1 inlet*	2500	0.70	232	226	221	216	212	208	205	200	196	192	188	2.5
TLD 200ES 2 inlets*	2500	0.70	249	242	236	231	227	223	220	215	210	206	202	2.5
RI 250	2500	0.70	252	240	227	218	208	201	194	187	180	173	165	2.7
TLD 300 1 inlet	2550	1.00	265	256	248	241	234	229	224	219	214	209	204	3.1
TLD 300 2 inlets	2550	1.00	292	286	280	274	269	262	255	247	240	233	227	3.1
PWS 300	1550	3.30	300	291	284	275	267	258	250	240	231	218	206	2.8



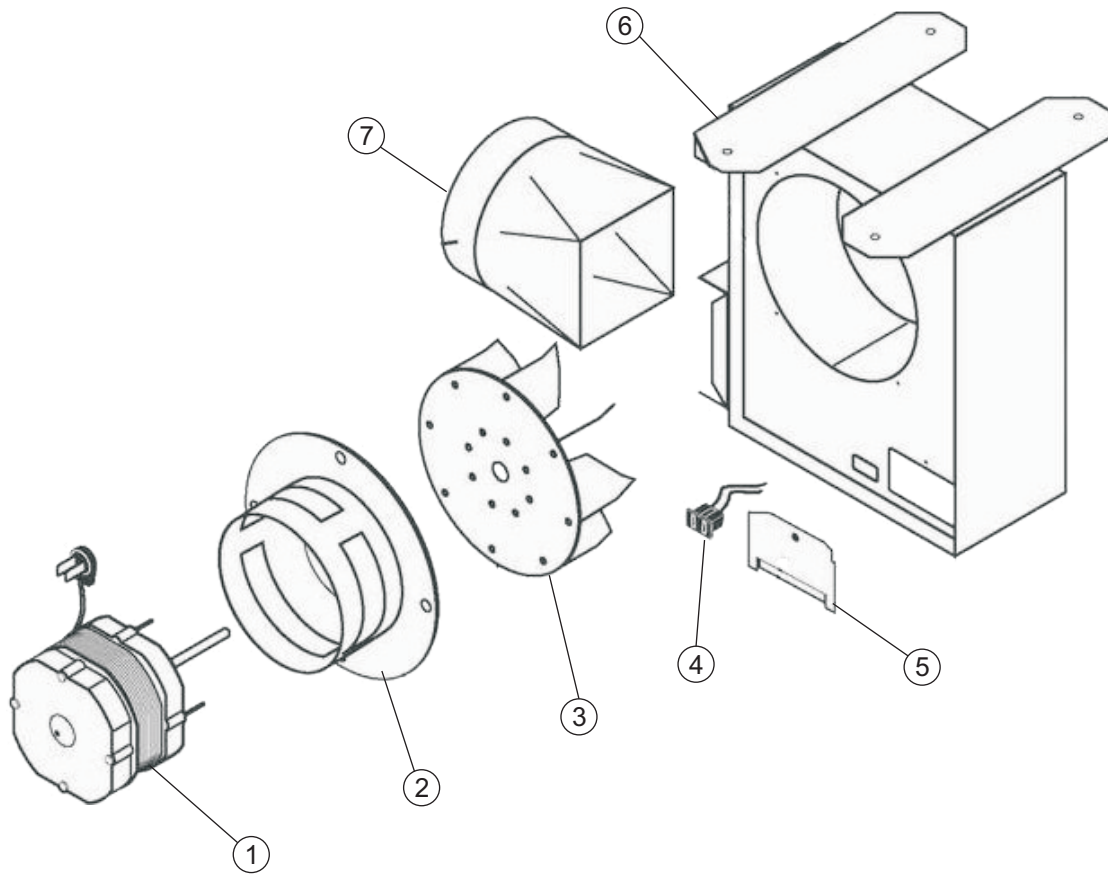
REFERENCE	DESCRIPTION	PART NO.	
1	Cover Plate w/ Hinge	010191	
2	Motor / Blower Wheel	013070	
3	Electrical Box Cover	011140	
4	Connector (F)	014041	
	Connector (M)	014042	
	Connector (M) w/ Wiring Harness	014045	
	Capacitor (8 mf)	014028	
5	Neoprene Damper	014035	
6	Housing (No Capacitor) 1 Inlets	010157	
	Housing (No Capacitor) 2 Inlets	010171	



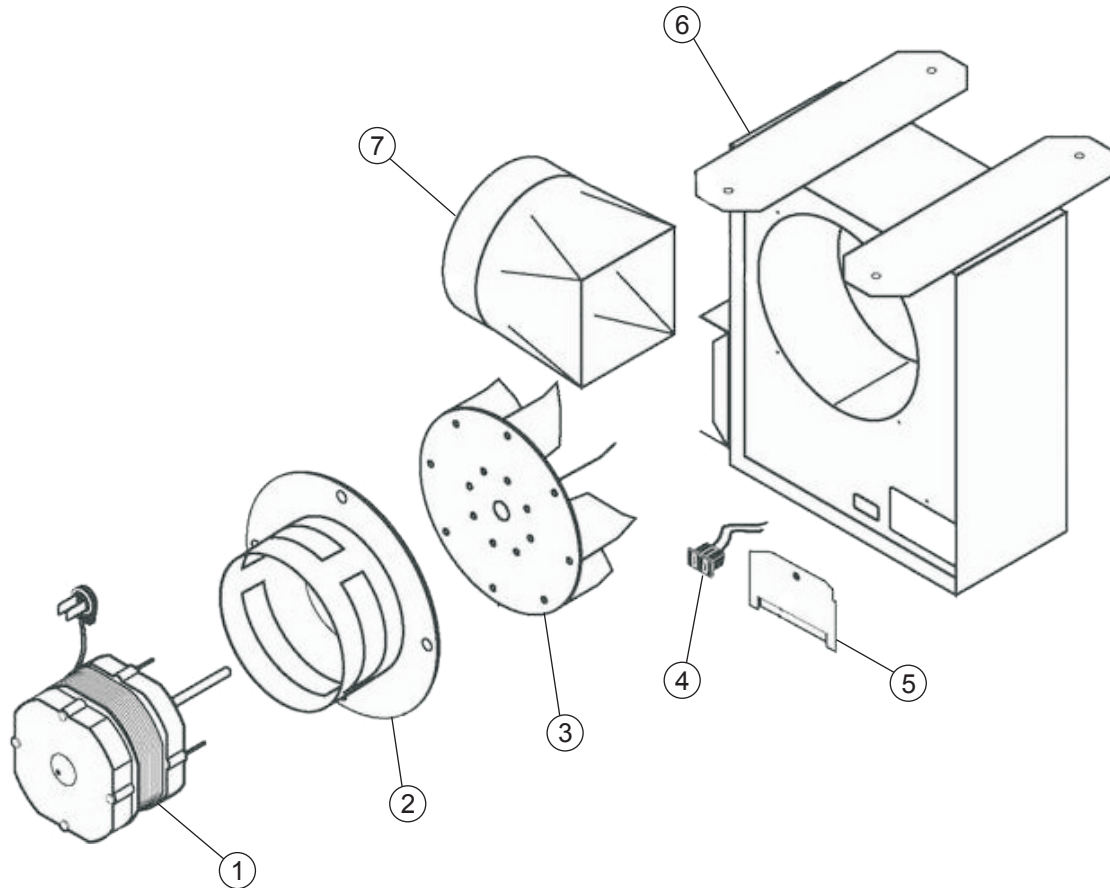
REFERENCE	DESCRIPTION	PART NO.	
1	Cover Plate w/ Hinge	010191	
2	Motor / Blower Wheel	013070	
3	Electrical Box Cover	011140	
4	Connector (F)	014041	
	Connector (M)	014042	
	Connector (M) w/ Wiring Harness	014045	
	Capacitor (8 mf)	014028	
5	Neoprene Damper	014035	
6	Housing (No Capacitor) 1 Inlets	010178	
	Housing (No Capacitor) 2 Inlets	010179	



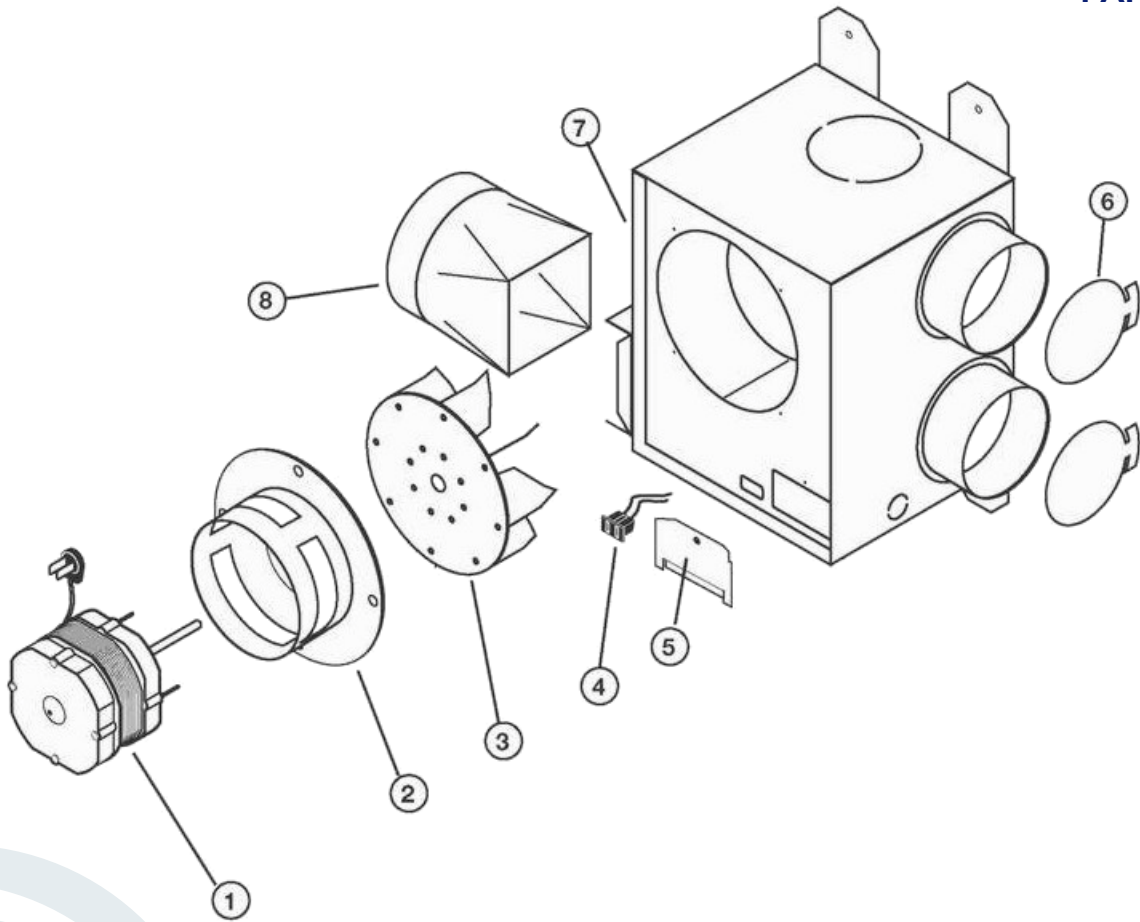
REFERENCE	DESCRIPTION	PART NO.	
1	Cover Plate w/ Hinge	010191	
2	Motor / Blower Wheel	013033	
3	Electrical Box Cover	011140	
4	Connector (F)	014041	
	Connector (M)	014042	
	Connector (M) w/ Wiring Harness	014045	
	Capacitor (8 mf)	014028	
5	Neoprene Damper	014035	
6	Housing (No Capacitor) 1 Inlets	010176	
	Housing (No Capacitor) 2 Inlets	010177	



REFERENCE	DESCRIPTION	PART NO.	
1	Motor	013040	
2	Motor Bracket	010236	
3	Paddle Wheel	013240	
4	Receptacle	014001	
5	Cover Plate	011141	
6	Housing	010106	
7	Transition	PWS100T-05	



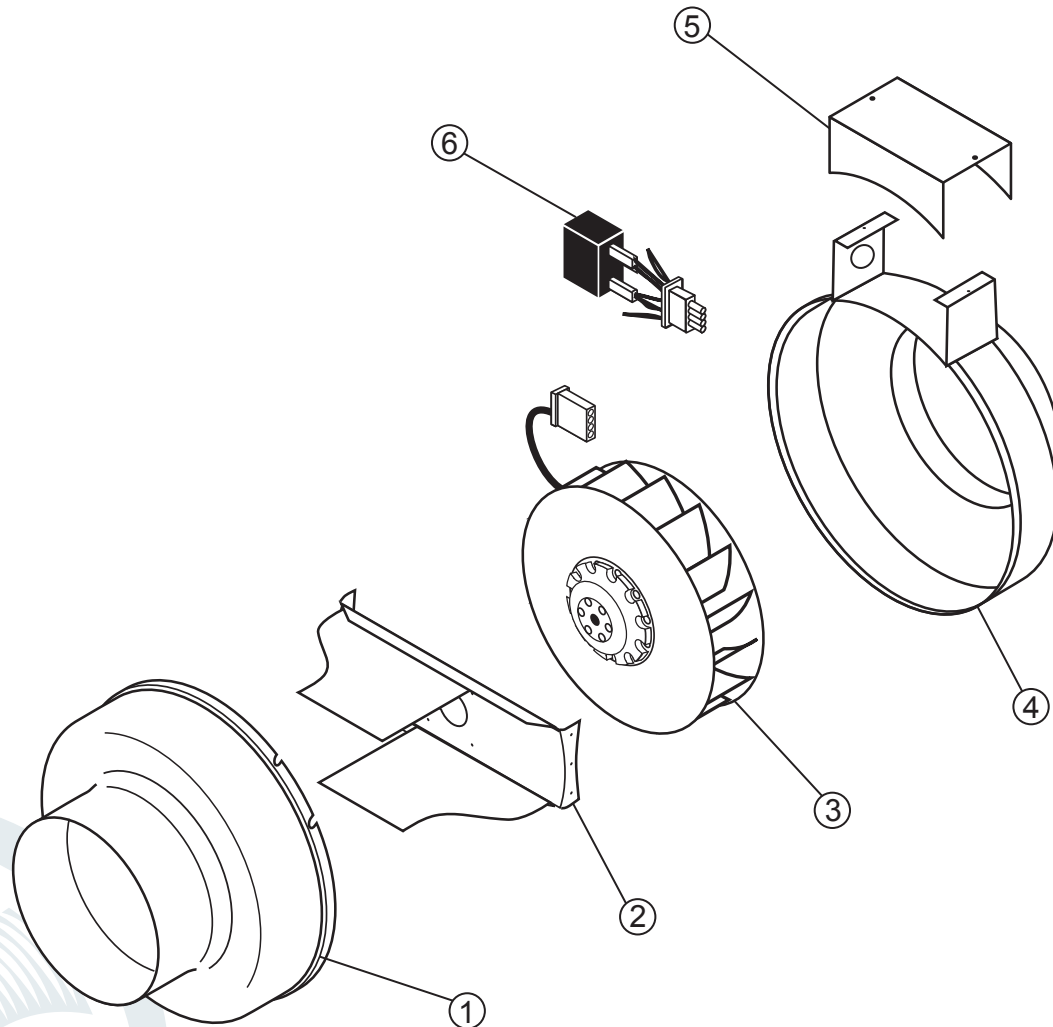
REFERENCE	DESCRIPTION	PART NO.	
1	Motor PWS 200	013081	
	Motor PWS 300	013082	
2	Motor Bracket	010236	
3	Paddle Wheel	013240	
4	Receptacle	014001	
5	Cover Plate	011141	
6	Housing PWS 200	010150	
	Housing PWS 300	010130	
7	Transition	PWS200T-05	



REFERENCE	DESCRIPTION	PART NO.	
1	Motor PW 200	013083	
	Motor DBP 300	013042	
2	Motor Bracket PW 200	010235	
	Motor Bracket DBP 300	010277	
3	Paddle Wheel PW 200	013240	
	Paddle Wheel DBP 300	013242	
4	Receptacle	014001	
5	Cover Plate	011141	
6	Neoprene Damper PW 200	014034	
	Neoprene Damper DBP 300	014035	
7	Housing PW 200	010107	
	Housing DBP 300	4128	
8	Transition PW 200	PW200T-05	
	Transition DBP 300	DBP300T-06	

Reversomatic Manufacturing Ltd.

790 Rowntree Dairy Road, Woodbridge, ON Canada L4L 5V3 • Tel: 905-851-6701 • Fax: 905-851-8376
www.reversomatic.com • info@reversomatic.com



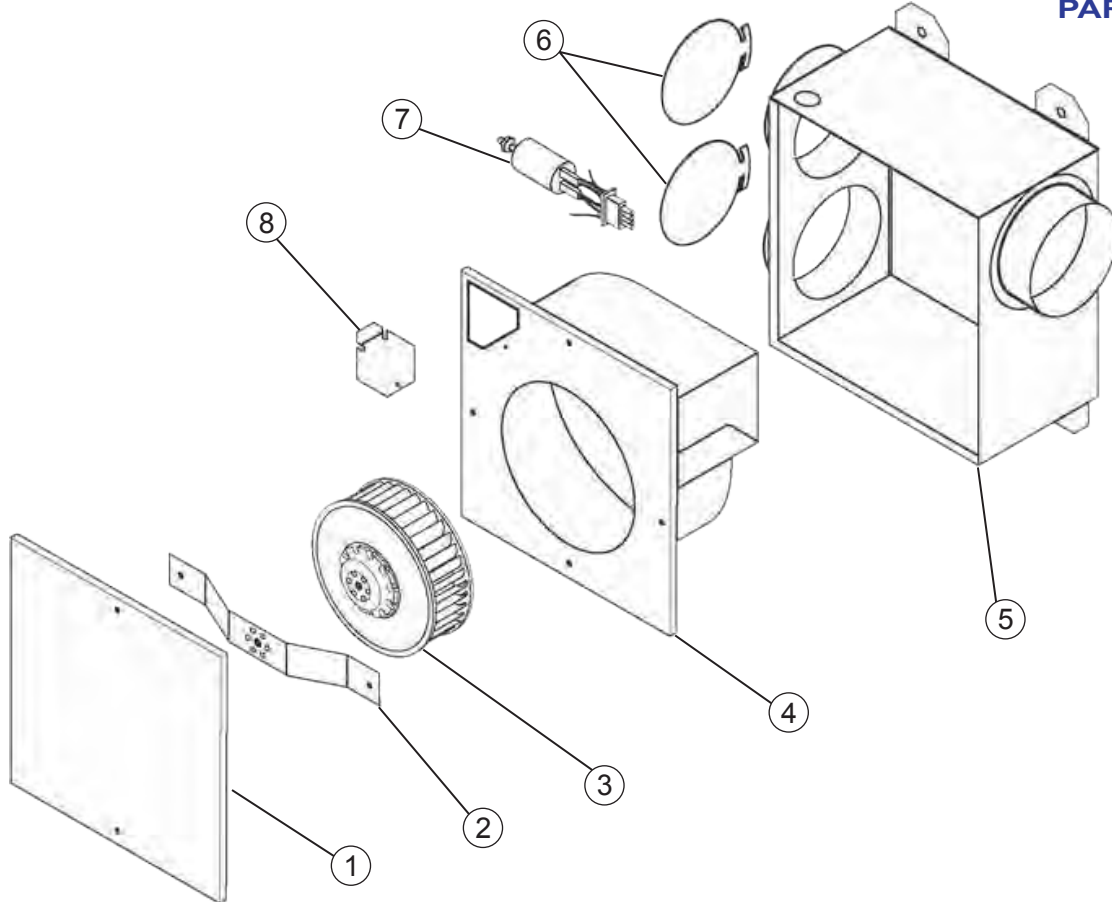
REFERENCE	DESCRIPTION	PART NO.	
1	Top Housing	014800	
2	Motor Bracket	010211	
3	Motor / Wheel	013070	
4	Bottom Housing	014800	
5	Electrical Cover	010214	
6	Connector and Capacitor	014050	



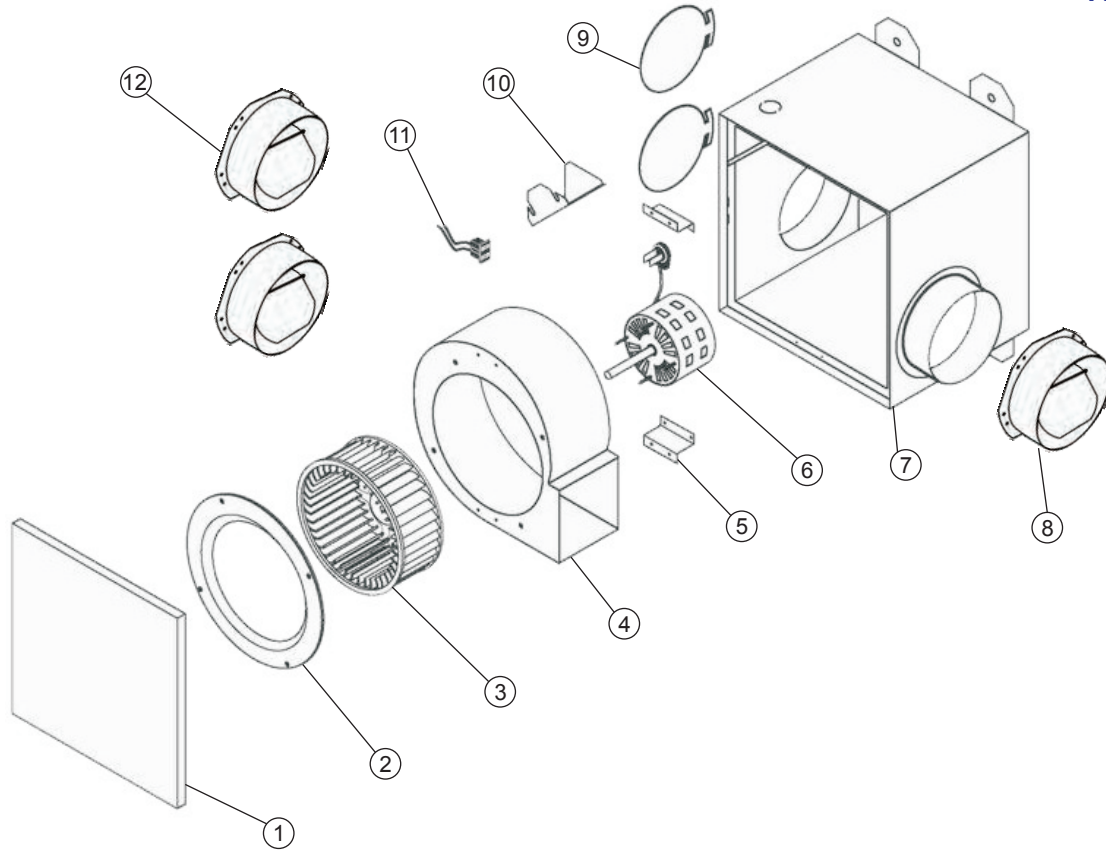
COMBINATION IN-LINE FANS DOUBLE BATHROOM & GENERAL EXHAUST

Model	Motor		CFM @ SP											Sones at grille
	RPM	AMPs	0.00	0.05	0.10	0.15	0.20	0.25	0.30	0.35	0.40	0.45	0.50	
DB 200	1550	1.90	202	196	190	185	180	175	171	166	161	154	148	2.0
SMP-260	1550	1.90	230	220	215	210	205	198	190	180	170	155	140	2.5
TL 240	1600	0.70	246	239	233	226	219	211	204	194	185	174	163	2.4
TL 240ES*	1600	0.70	246	238	230	338	217	211	205	198	191	182	173	2.4
QDB 300 (2 & 3 Inlets)	1050	3.00	250	238	225	210	195	178	160	135	110	90	70	2.0
DK 260	1550	2.30	268	257	252	244	237	229	221	214	208	199	190	2.0
DB 300 (2 & 3 Inlets)	1550	2.87	305	298	290	278	265	253	240	228	215	203	190	2.5
SMP-350	1550	3.30	335	325	315	305	295	288	280	275	270	263	255	2.5
TL 340 2 inlets*	1150	1.05	358	351	345	338	332	324	317	310	303	292	282	2.5
TL 340 3 inlets*	1150	1.05	383	375	368	359	350	341	332	322	313	302	292	2.5





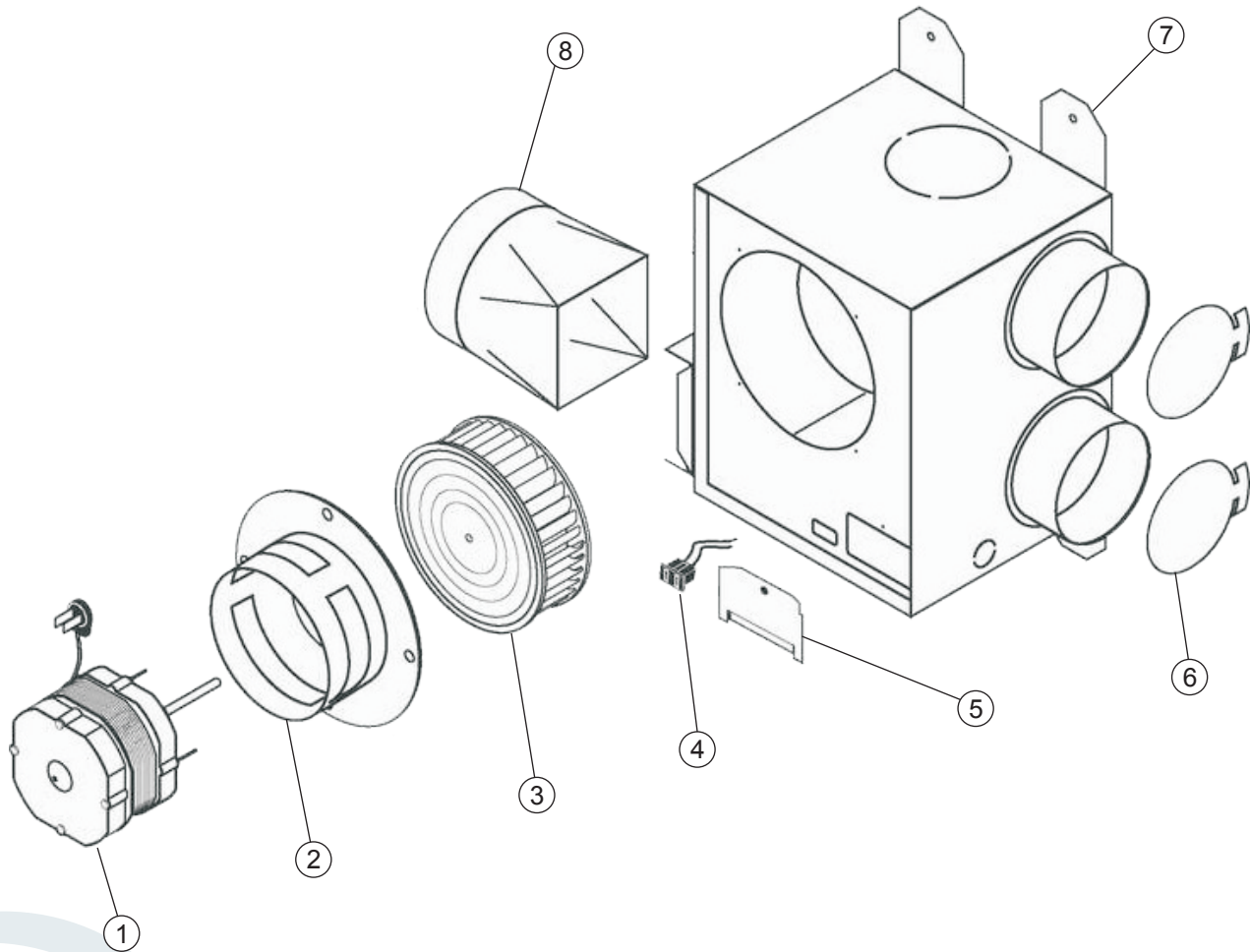
REFERENCE	DESCRIPTION	PART NO.	
1	Cover, Insulated	010172	
2	Motor Mtg. Bracket	011125	
3	Motor / Blower Wheel	013071	
4	Blower Housing	010222	
5	Housing complete (no capacitor) TL-240	010158	
	Housing complete (no capacitor) TL-240ES	010174	
6	Neoprene Damper	014035	
7	Connector (F)	014041	
	Connector (M)	014042	
	Connector (M) w/ Wiring Harness	014045	
	Capacitor (8 mf)	014028	
8	Electrical Box Cover	011140	



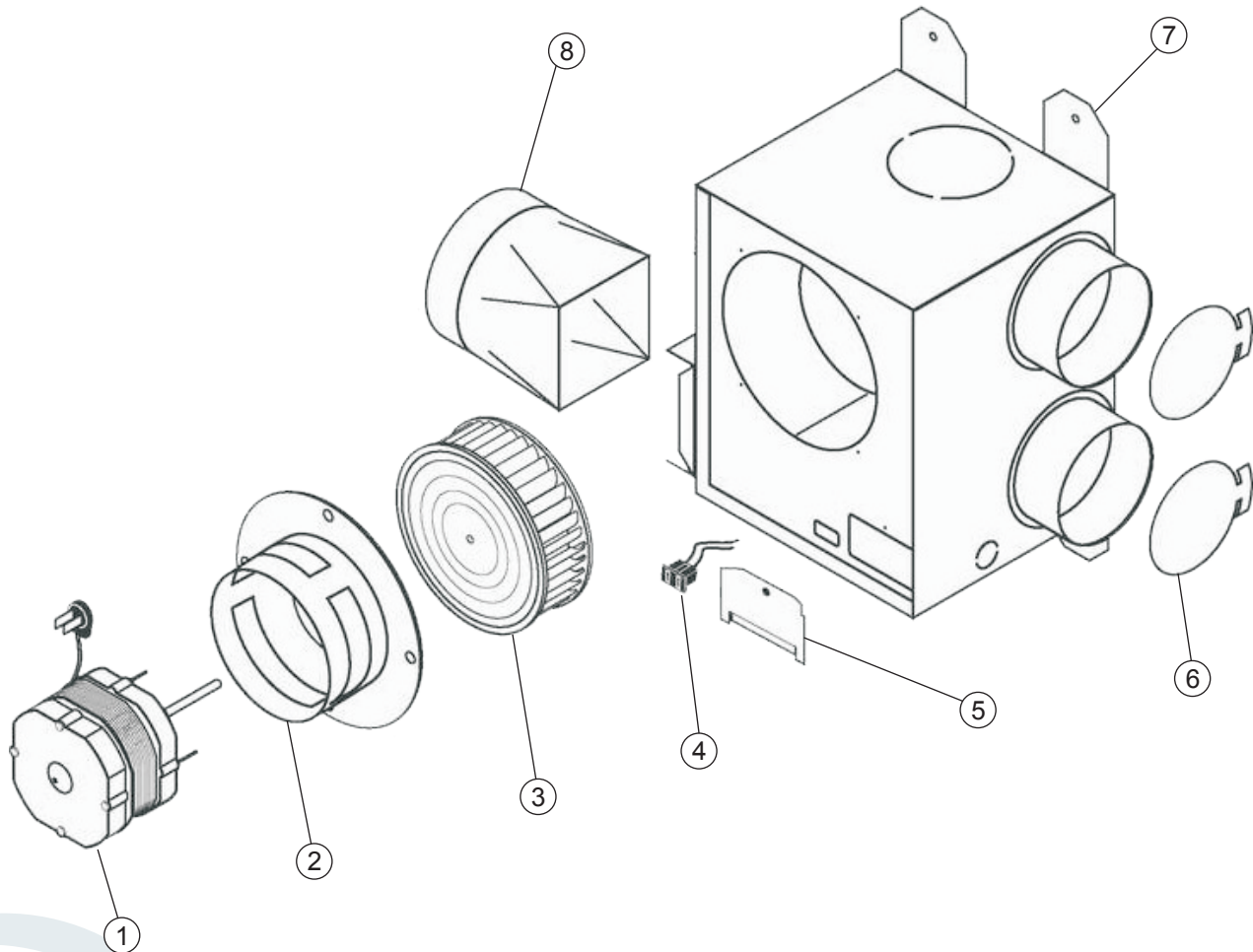
REFERENCE	DESCRIPTION	PART NO.	
1	Cover	010173	
2	Cover Plate / Ring	011082	
3	Blower Wheel SMP260	013225	
	Blower Wheel SMP350	013216	
4	Blower Housing SMP260	010228	
	Blower Housing SMP350	010229	
5	Blower Mtg. Bracket	011072	
6	Motor SMP260	013040	
	Motor SMP350	013042	
7	Housing SMP260	010155	
	Housing SMP350	010156	
8	Plastic Backdraft Damper 6"	PBD6	
9	Neoprene Damper SMP260	014035	
	Neoprene Damper SMP350	014036	
10	Electrical Box / Cover	011144	
11	Receptacle	014001	
12	Plastic Backdraft Damper 5"	PBD5	

Reversomatic Manufacturing Ltd.

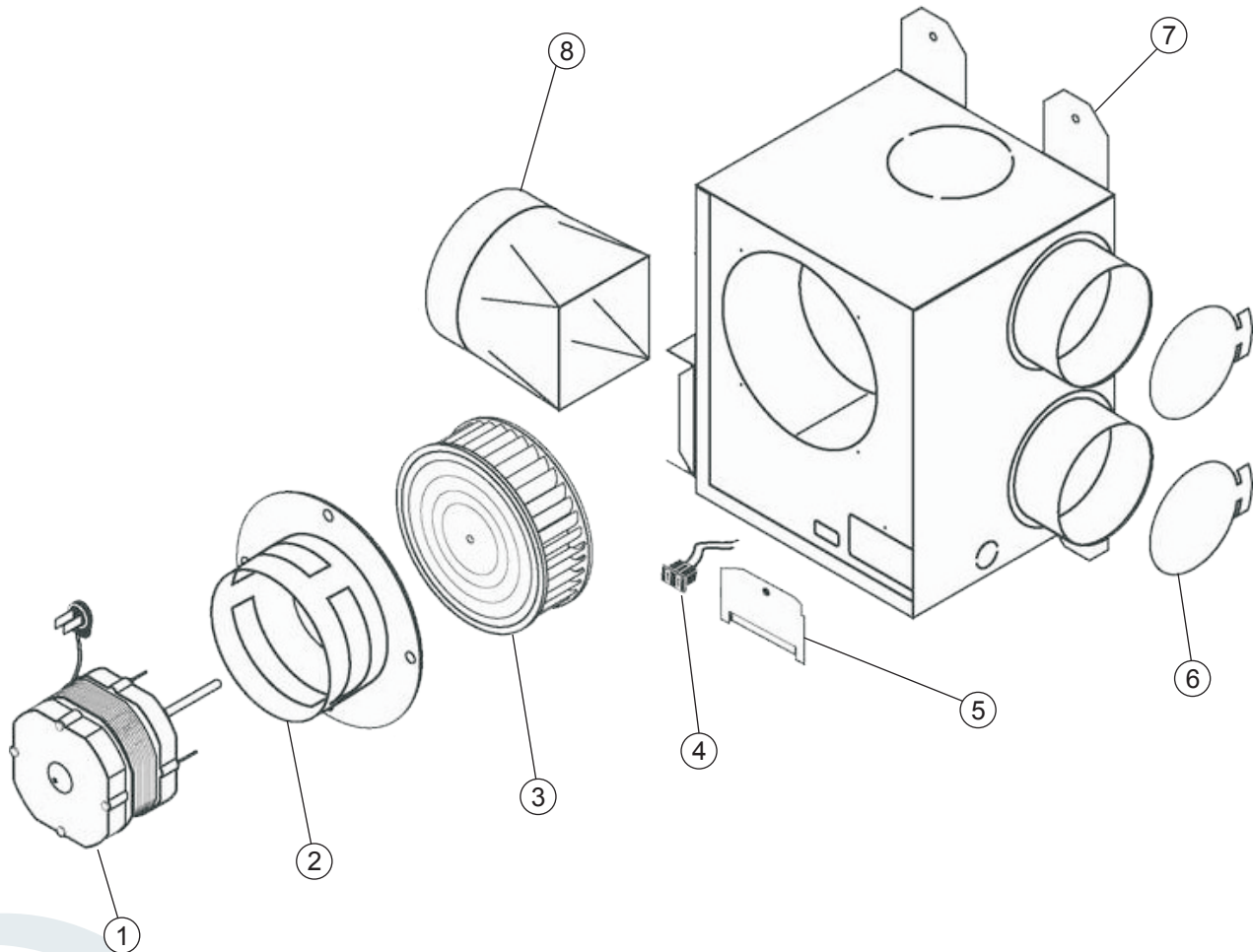
790 Rowntree Dairy Road, Woodbridge, ON Canada L4L 5V3 • Tel: 905-851-6701 • Fax: 905-851-8376
www.reversomatic.com • info@reversomatic.com



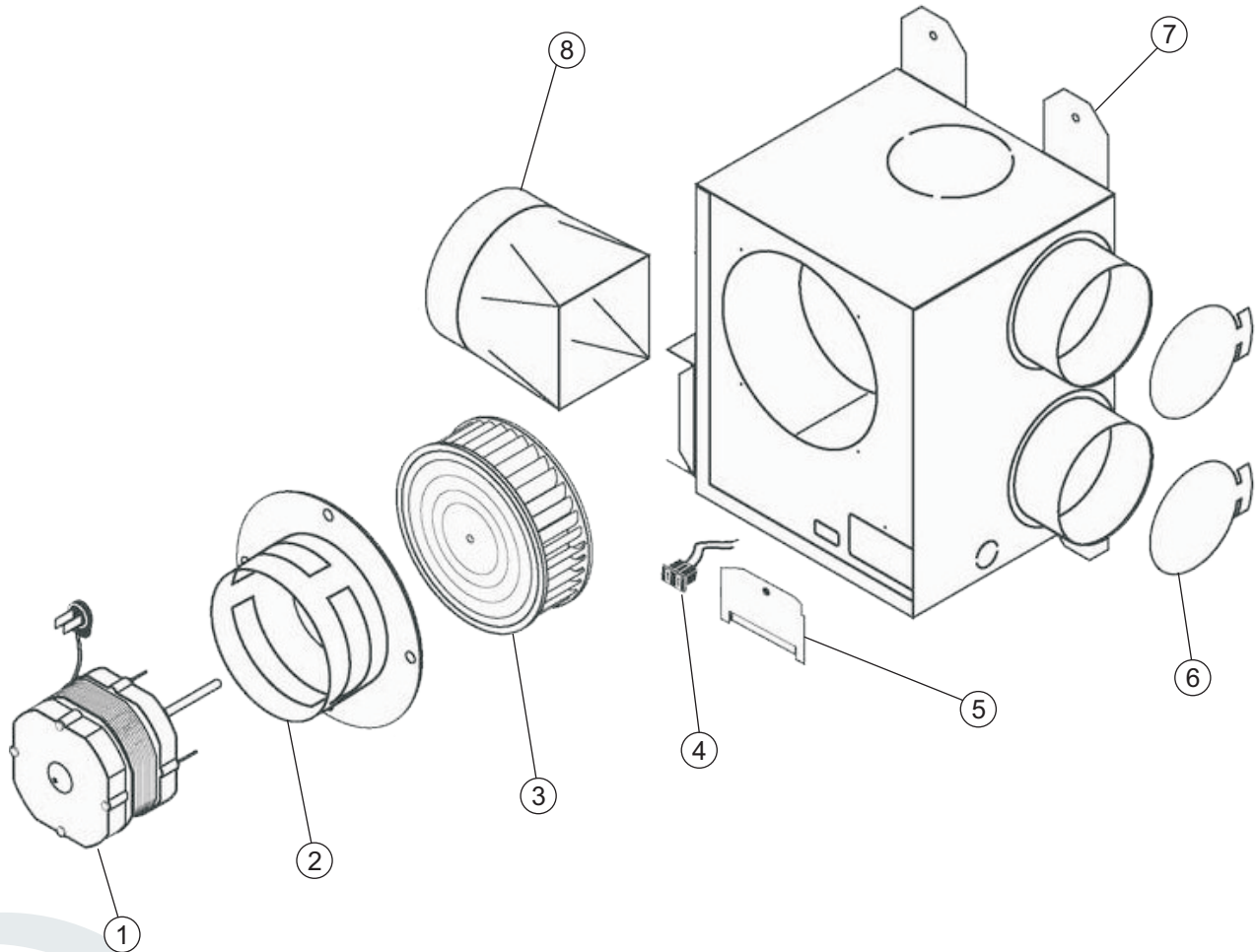
REFERENCE	DESCRIPTION	PART NO.
1	Motor	013062
2	Motor Bracket	010236
3	Blower Wheel	013218
4	Receptacle	014001
5	Cover Plate	011141
6	Neoprene Damper	014035
7	Housing (2 Inlets)	010108
	Housing (3 Inlets)	010116
8	Transition	QDB300T-06



REFERENCE	DESCRIPTION	PART NO.
1	Motor	013041
2	Motor Bracket	010235
3	Blower Wheel	013225
4	Receptacle	014001
5	Cover Plate	011141
6	Neoprene Damper	014035
7	Housing	010119
8	Transition	DK260T-06



REFERENCE	DESCRIPTION	PART NO.	
1	Motor	013084	
2	Motor Bracket	010235	
3	Blower Wheel	013225	
4	Receptacle	014001	
5	Cover Plate	011141	
6	Neoprene Damper	014034	
7	Housing	010107	
8	Transition	DB200T-05	

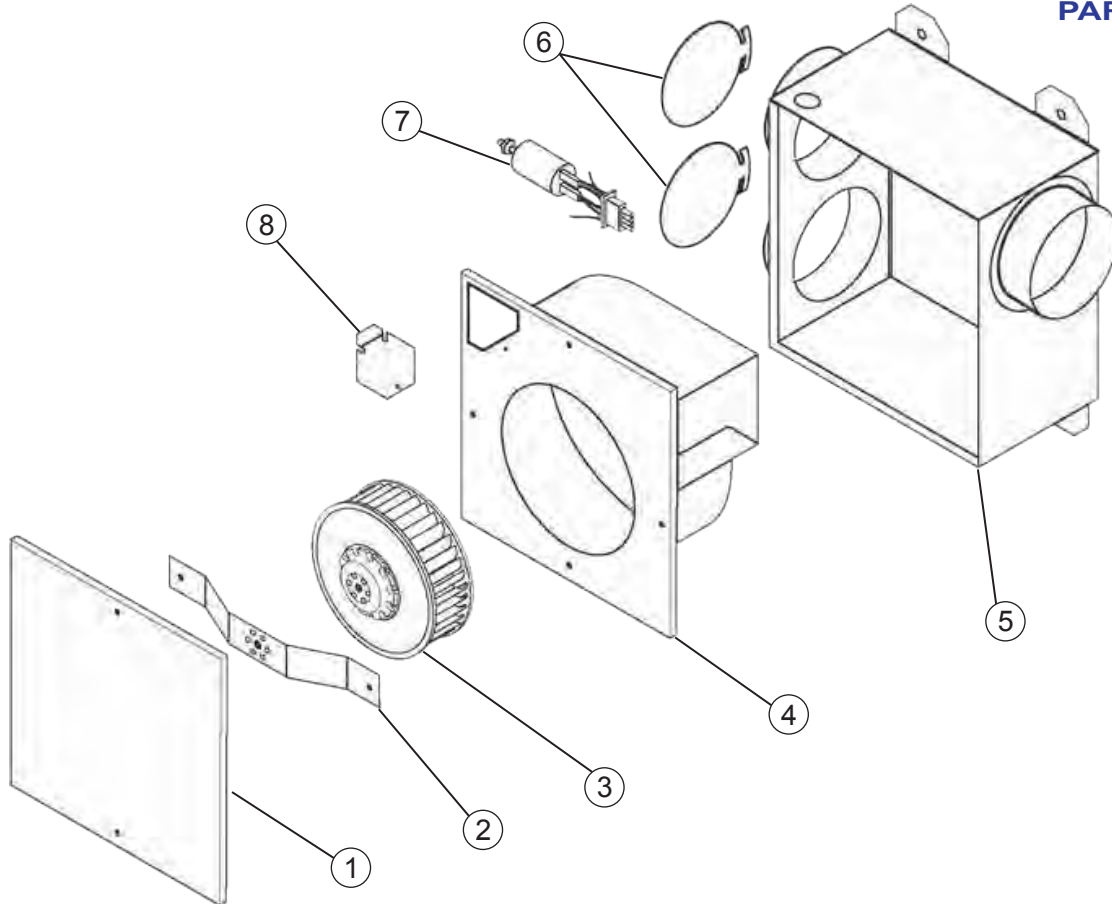


REFERENCE	DESCRIPTION	PART NO.	
1	Motor	013042	
2	Motor Bracket	010277	
3	Blower Wheel	013216	
4	Receptacle	014001	
5	Cover Plate	011141	
7	Housing (2 Inlets)	010108	
	Housing (3 Inlets)	010116	
8	Transition	DB300T-06	



TL-340 (2 inlets), TL-340 (3 inlets)

PARTS LIST



REFERENCE	DESCRIPTION	PART NO.	
1	Cover, Insulated	010173	
2	Motor Mtg. Bracket	011125	
3	Motor / Blower Wheel	013072	
4	Blower Housing	010222	
5	Housing complete (no capacitor) 2 inlets	010159	
	Housing complete (no capacitor) 3 inlets	010175	
6	Neoprene Damper	014035	
7	Connector (F)	014041	
	Connector (M)	014042	
	Connector (M) w/ Wiring Harness	014045	
	Capacitor (8 mf)	014029	
8	Electrical Box Cover	011140	

Reversomatic Manufacturing Ltd.

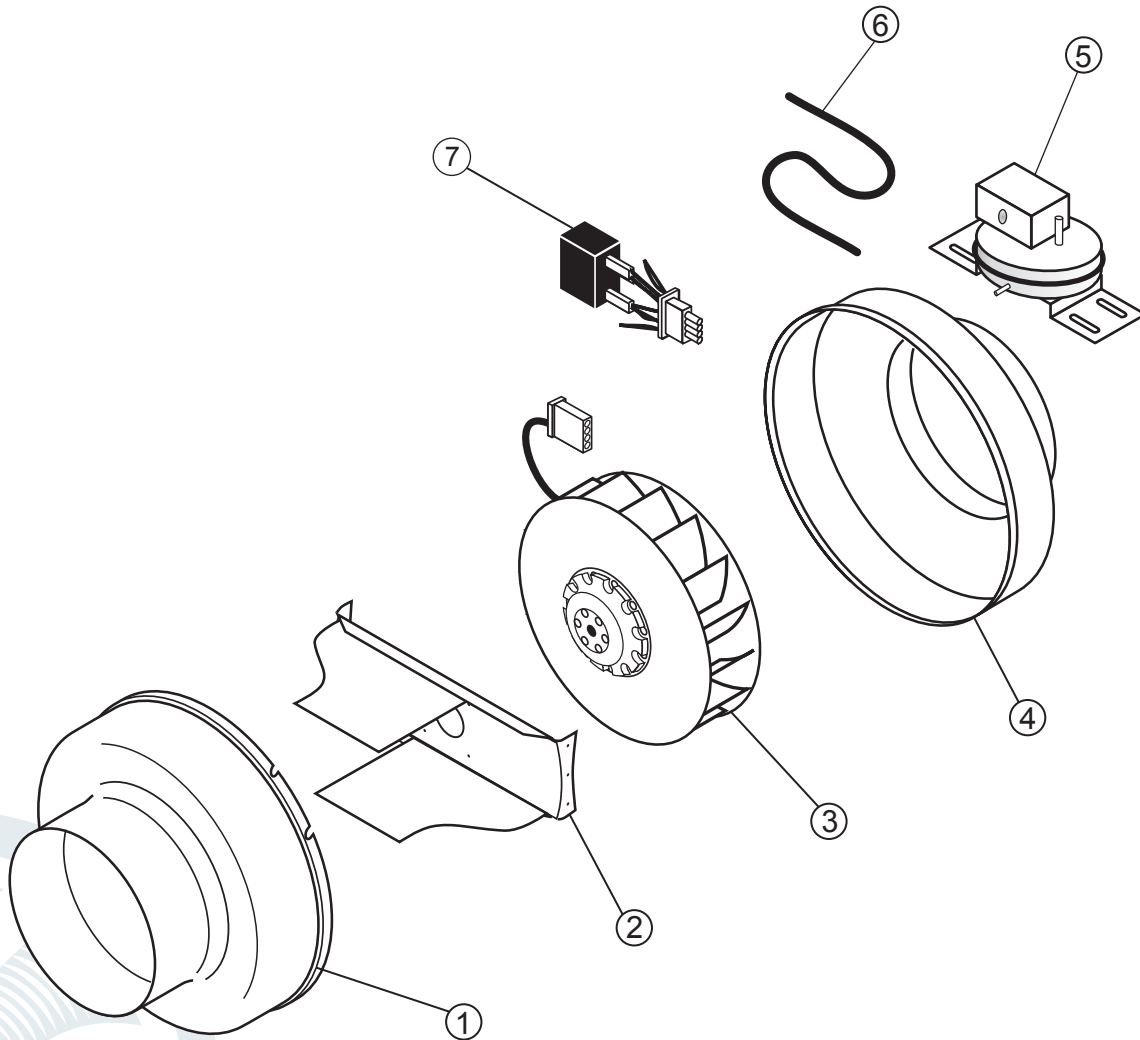
790 Rowntree Dairy Road, Woodbridge, ON Canada L4L 5V3 • Tel: 905-851-6701 • Fax: 905-851-8376
www.reversomatic.com • info@reversomatic.com



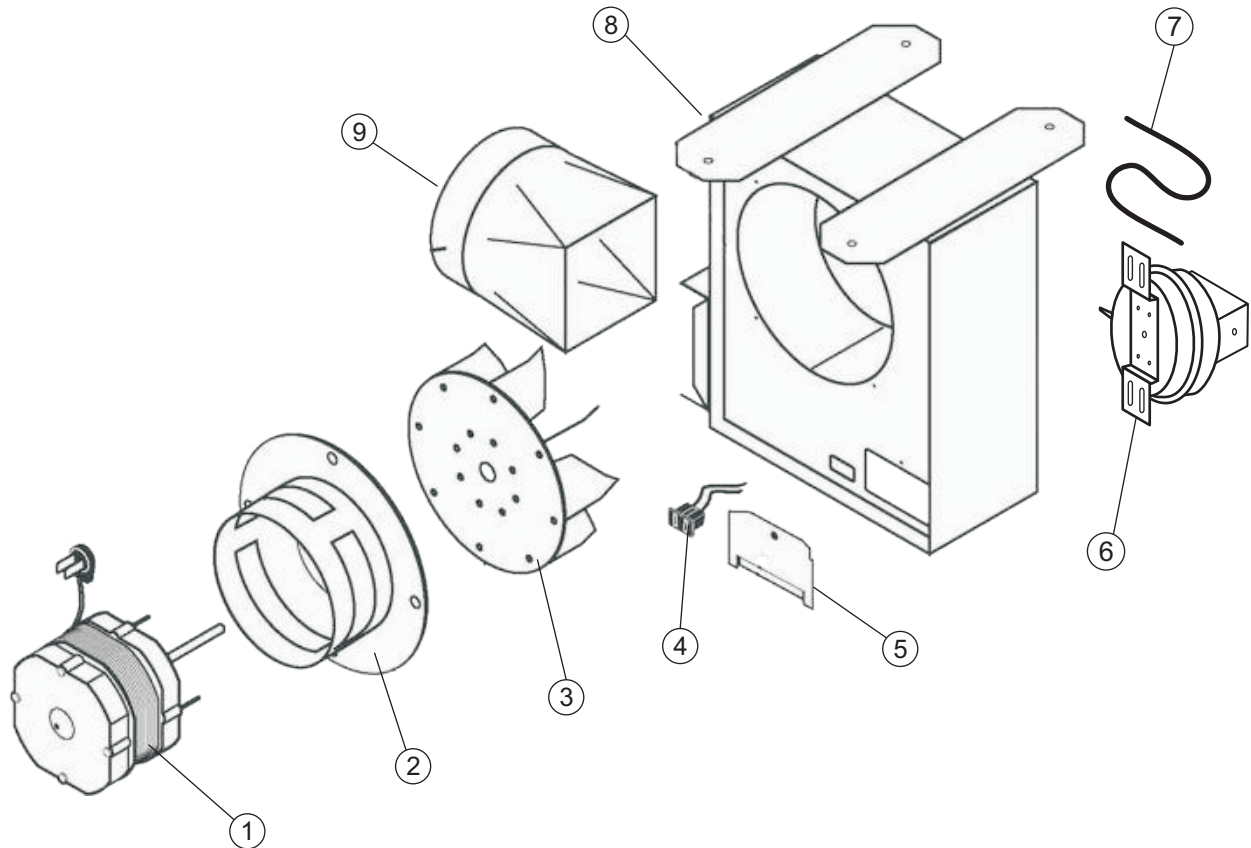
BOOSTER FANS WITH PRESSURE SENSOR

Model	Motor		CFM @ SP											Sones at grille
	RPM	AMPs	0.00	0.05	0.10	0.15	0.20	0.25	0.30	0.35	0.40	0.45	0.50	
RI 150 PS	2500	0.70	156	152	148	144	140	136	132	128	125	118	112	2.2
PWS 100 PS	1650	1.00	189	181	174	166	158	149	140	130	120	109	98	2.2
PWS 200 PS	1550	1.15	199	190	181	172	163	147	131	116	102	86	70	2.5
TLD 200 PS	2500	0.65	201	197	193	188	184	179	174	340	166	162	159	2.4
RI 200 PS	2500	0.70	214	205	198	192	186	180	173	166	159	152	146	2.5
RI 250 PS	2500	0.70	252	239	227	216	208	201	194	187	180	172	165	2.7
PWS 300 PS	1550	2.87	300	292	284	275	267	258	250	240	231	218	206	2.7

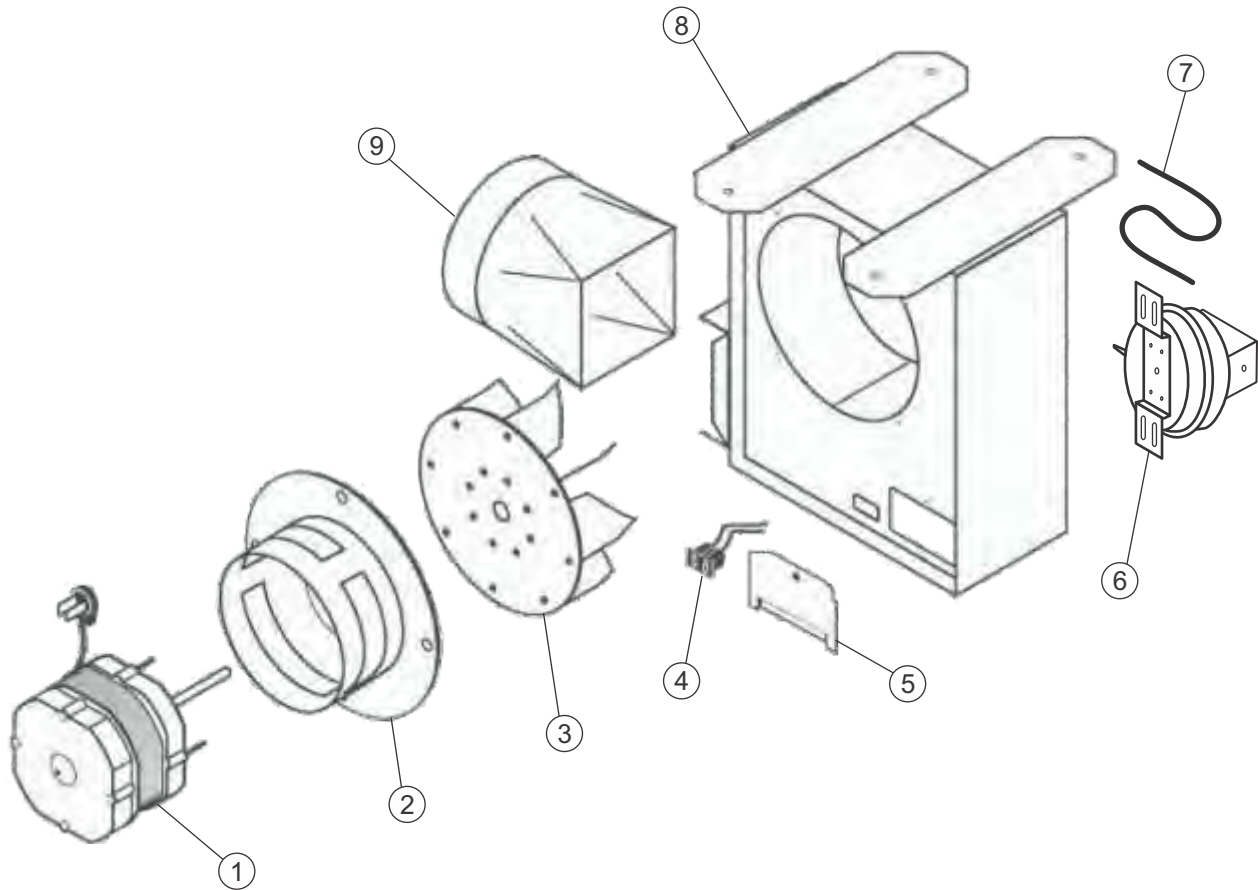




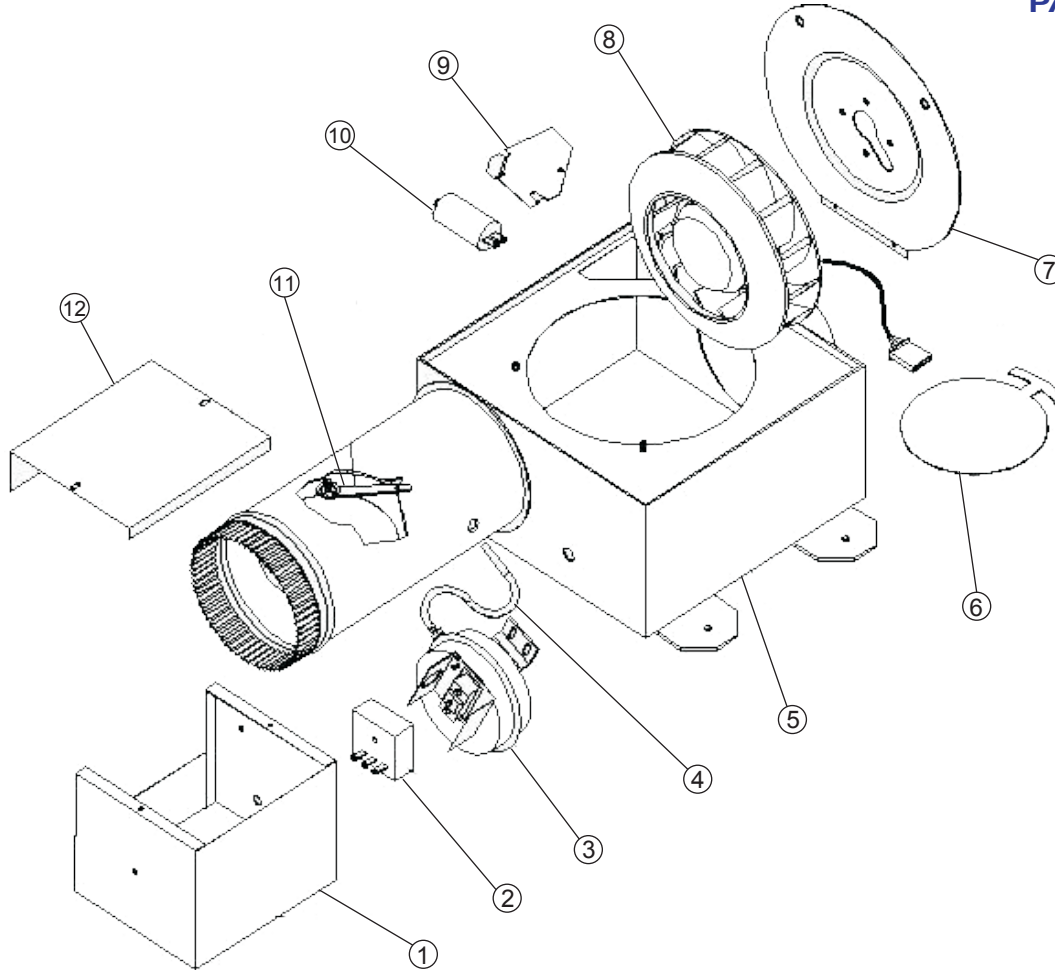
REFERENCE	DESCRIPTION	PART NO.	
1	Top Housing	014800	
2	Motor Bracket	010211	
3	Motor / Wheel	013070	
4	Bottom Housing	014800	
5	Pressure Sensor Assembly	010215	
6	Plastic Tube	014883	
7	Connector and Capacitor	014050	



REFERENCE	DESCRIPTION	PART NO.	
1	Motor	013080	
2	Motor Bracket	010236	
3	Paddle Wheel	013240	
4	Receptacle	014001	
5	Cover Plate	011141	
6	Pressure Sensor Assembly	010215	
7	Plastic Tube	014883	
8	Housing	010106	
9	Transition	PWS100T-05	



REFERENCE	DESCRIPTION	PART NO.	
1	Motor PWS-200PS	013081	
	Motor PWS-300PS	013082	
2	Motor Bracket	010236	
3	Paddle Wheel	013240	
4	Receptacle	014001	
5	Cover Plate	011141	
6	Pressure Sensor Assembly	010215	
7	Plastic Tube	014883	
8	Housing PWS-200PS	010150	
	Housing PWS-300PS	010130	
9	Transition	PWS200T-05	



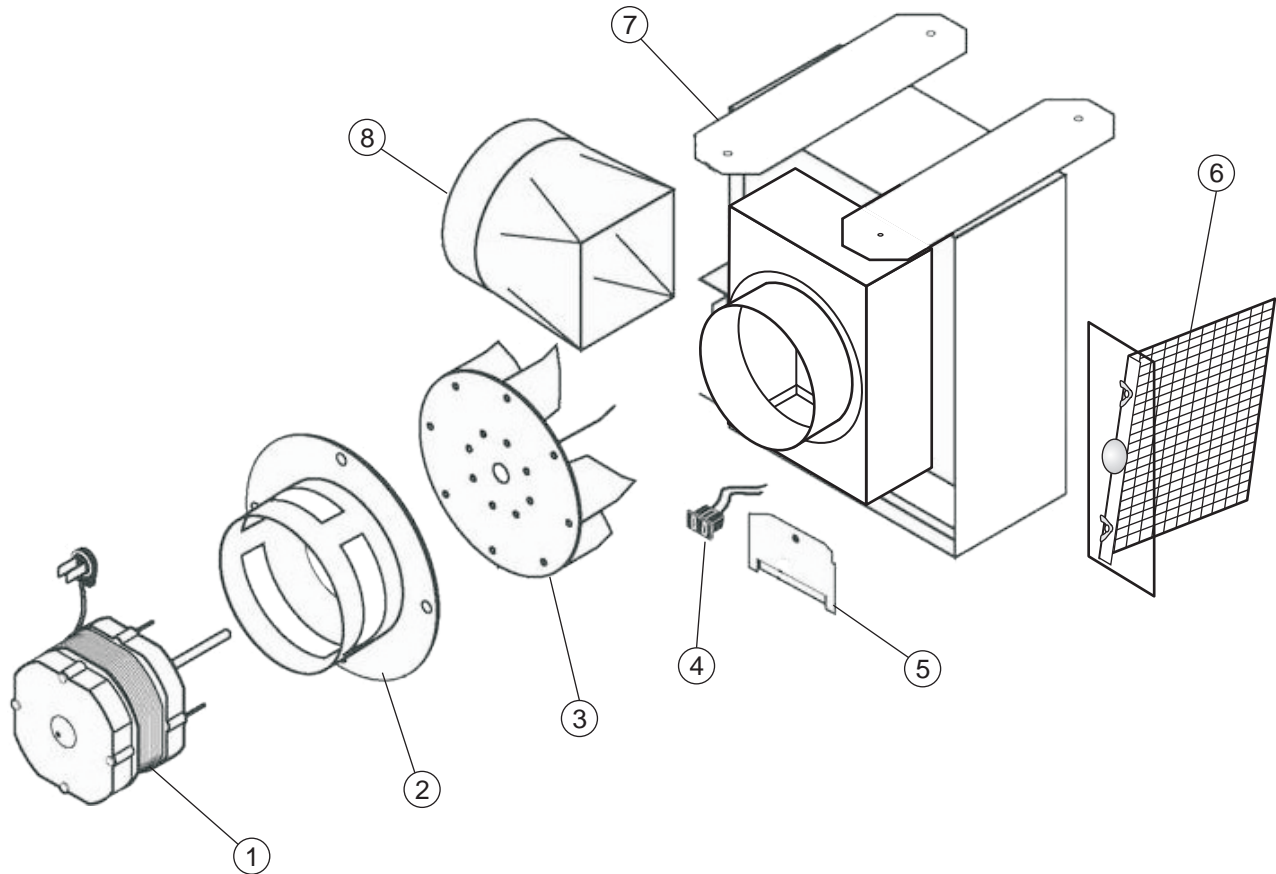
REFERENCE	DESCRIPTION	PART NO.
1	P.S Electrical Box	025808
2	Timer	014882
3	Pressure Sensor	014881
4	Plastic Tube	014883
5	Housing (No Capacitor)	020427
6	Neopreme Damper	014035
7	Cover Plate w/ Hinge	010191
8	Motor / Blower Wheel	013070
9	Electrical Box Cover	011140
10	Capacitor (8 mf)	014028
11	Steel Damper	014892
12	P.S Electrical Box Cover	025812



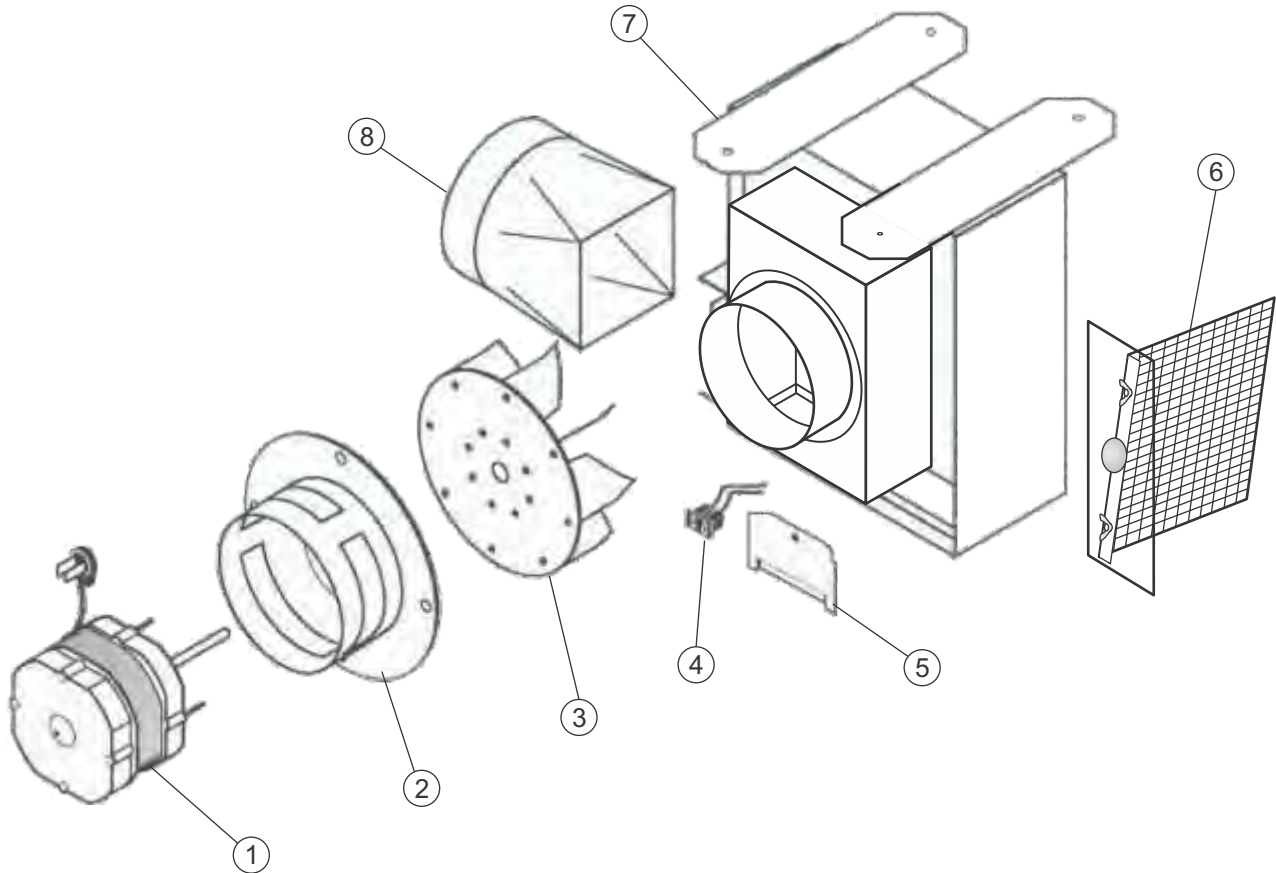
COMBINATION FAN/LINT TRAPS

Model	Motor		CFM @ SP											Sones at grille
	RPM	AMPs	0.00	0.05	0.10	0.15	0.20	0.25	0.30	0.35	0.40	0.45	0.50	
TLD 200L	2500	0.70	175	170	165	161	157	152	148	144	140	137	134	2.4
PWS 100L	1550	1.20	189	181	174	166	158	149	140	130	120	109	98	2.3
PWS 200L	1550	2.30	205	197	185	178	171	163	155	145	135	121	108	2.5
TLD 300L	2550	1.00	265	256	248	241	234	229	224	219	214	209	204	3.1
PWS 300L	1550	3.30	300	291	284	275	267	258	250	240	231	218	206	2.8





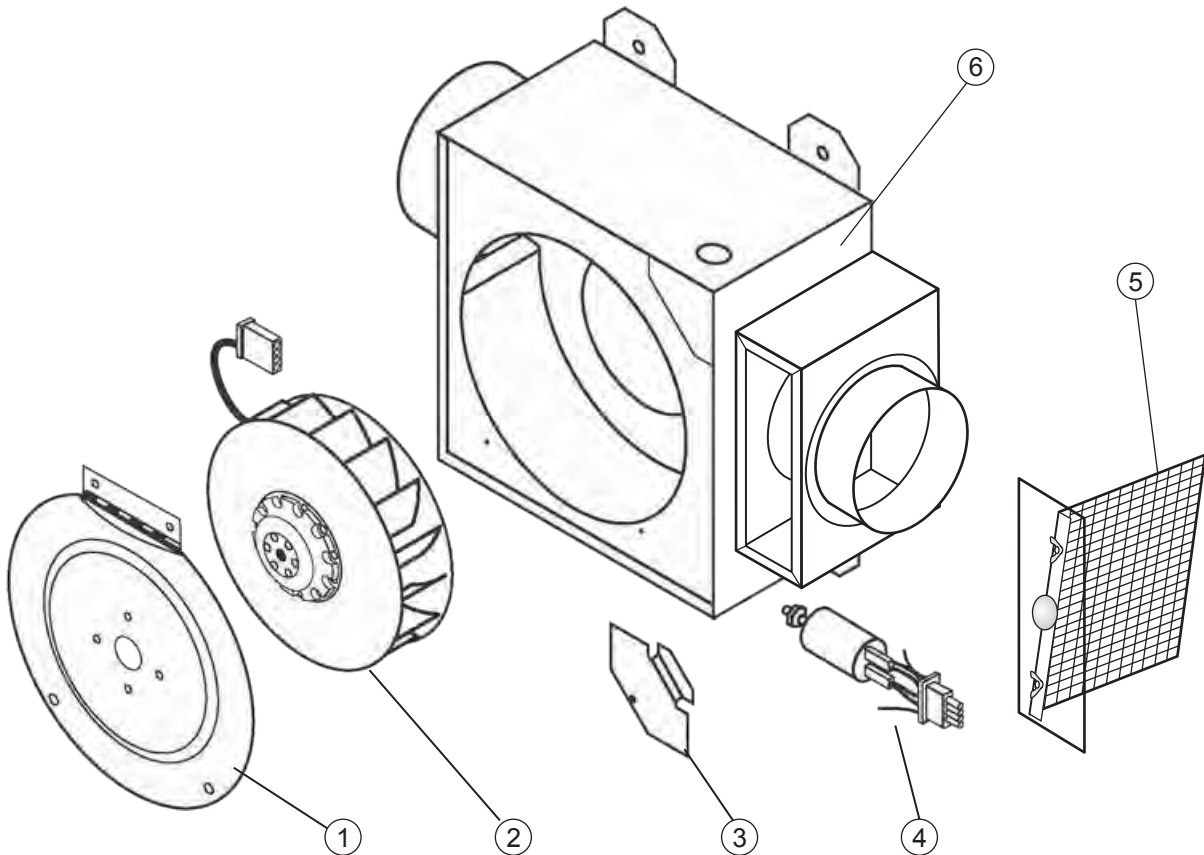
REFERENCE	DESCRIPTION	PART NO.	
1	Motor	013080	
2	Motor Bracket	010236	
3	Paddle Wheel	013240	
4	Receptacle	014001	
5	Cover Plate	011141	
6	Plexiglass Door c/w Attached Lint Screen	010349	
7	Housing PWS 100L	010192	
8	Transition 5" dia.	PWS100T-05	



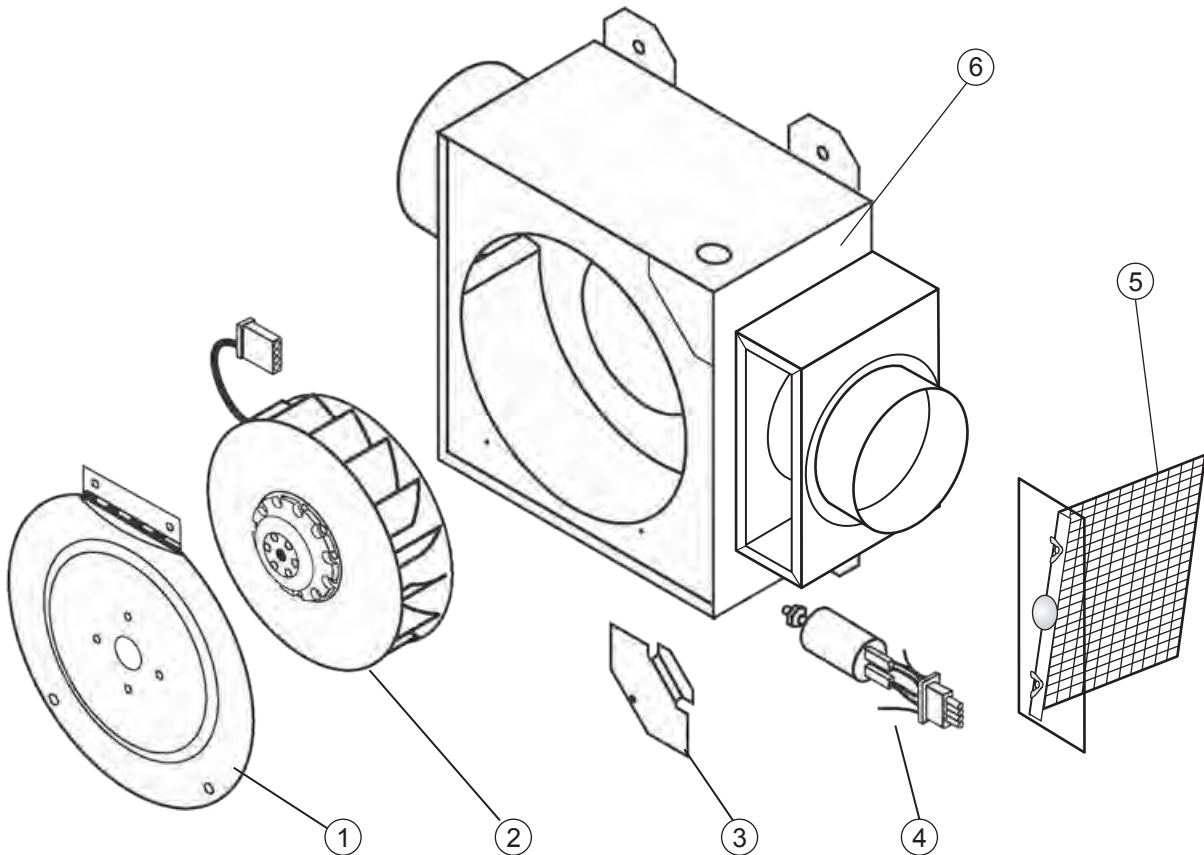
REFERENCE	DESCRIPTION	PART NO.	
1	Motor PWS 200	013081	
	Motor PWS 300	013082	
2	Motor Bracket	010236	
3	Paddle Wheel	013240	
4	Receptacle	014001	
5	Cover Plate	011141	
6	Plexiglass Door c/w Attached Lint Screen	010349	
7	Housing PWS 200L	010193	
	Housing PWS 300L	010201	
8	Transition	PWS200T-05	

Reversomatic Manufacturing Ltd.

790 Rowntree Dairy Road, Woodbridge, ON Canada L4L 5V3 • Tel: 905-851-6701 • Fax: 905-851-8376
www.reversomatic.com • info@reversomatic.com



REFERENCE	DESCRIPTION	PART NO.	
1	Cover Plate w/ Hinge	010191	
2	Motor / Blower Wheel	013078	
3	Electrical Box Cover	011140	
4	Connector (F)	014041	
	Connector (M)	014042	
	Connector (M) w/ Wiring Harness	014045	
	Capacitor (8 mf)	014028	
5	Plexiglass Door c/w Attached Lint Screen	010349	
6	Housing (No Capacitor)	010180	



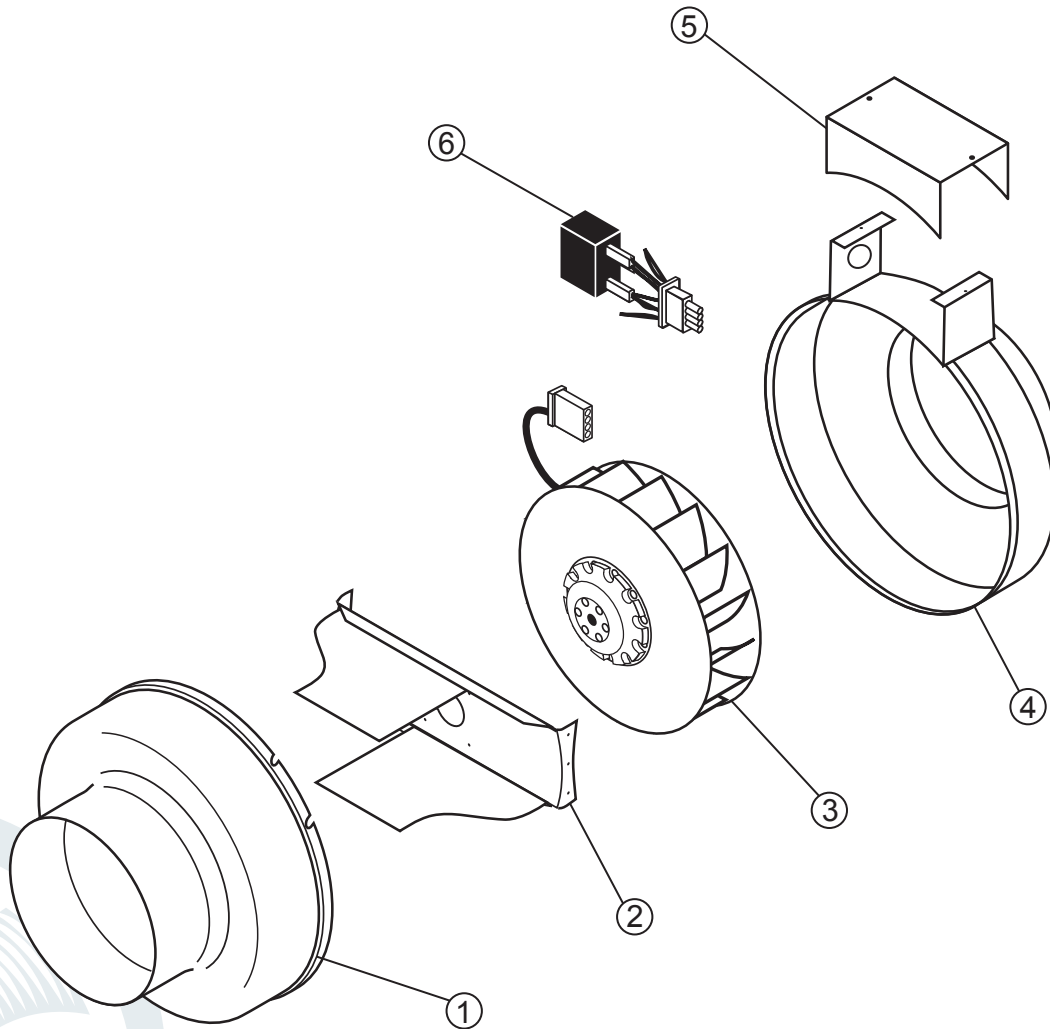
REFERENCE	DESCRIPTION	PART NO.	
1	Cover Plate w/ Hinge	010191	
2	Motor / Blower Wheel	013079	
3	Electrical Box Cover	011140	
4	Connector (F)	014041	
	Connector (M)	014042	
	Connector (M) w/ Wiring Harness	014045	
	Capacitor (8 mf)	014028	
5	Plexiglass Door c/w Attached Lint Screen	010349	
6	Housing (No Capacitor)	010190	



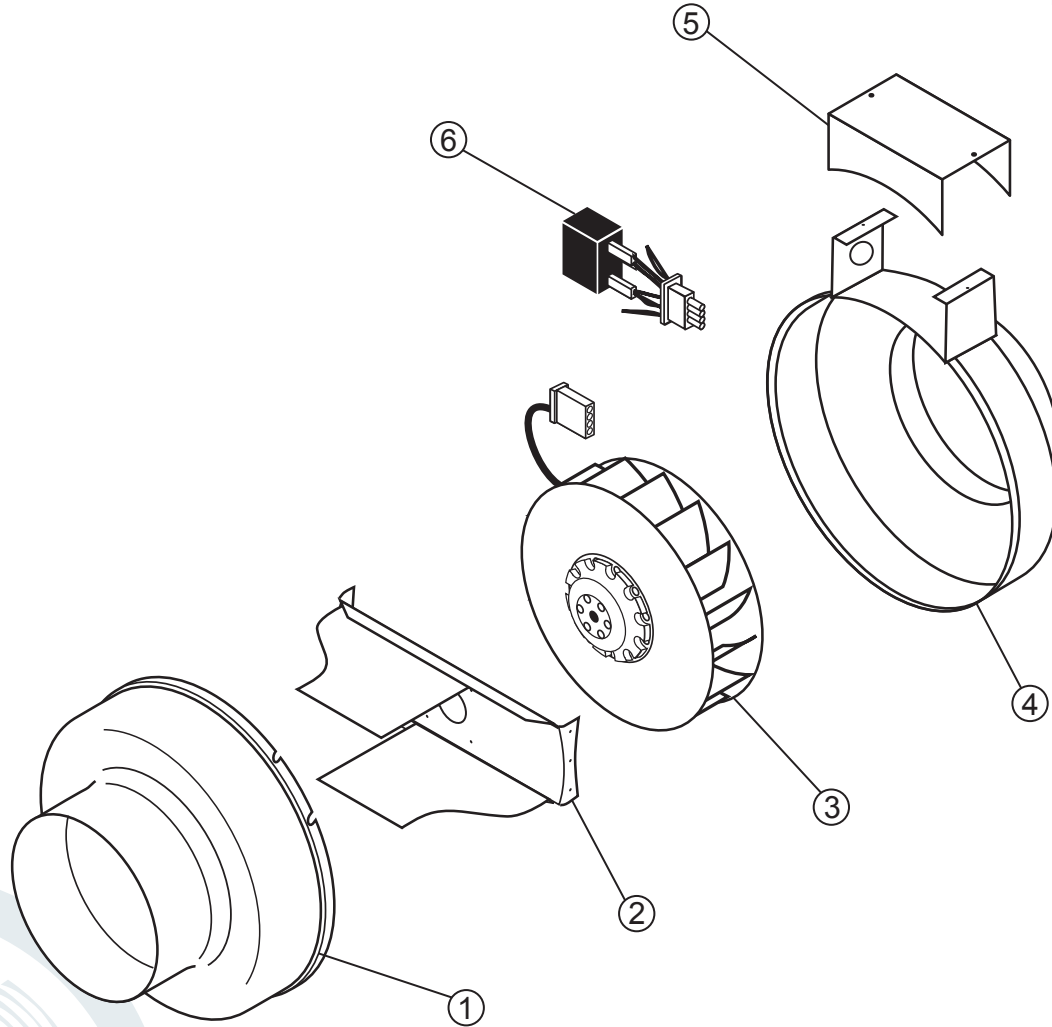
IN-LINE CENTRIFUGAL EXHAUST

Model	Motor		CFM @ SP											Sones at grille
	RPM	AMPs	0.00	0.05	0.10	0.15	0.20	0.25	0.30	0.35	0.40	0.45	0.50	
RI 150	2500	0.70	156	152	148	144	140	136	132	129	125	118	112	2.2
RI 200	2500	0.70	214	206	198	192	186	179	173	166	159	152	146	2.5
RI 250	2500	0.70	252	240	227	218	208	201	194	187	180	173	165	2.7
RI 500	2550	1.00	434	418	402	382	362	342	322	307	292	281	270	3.8
RI 700	3100	3.50	752	736	719	709	698	687	675	663	650	640	629	5.1
RI 900	1570	2.40	875	853	830	808	786	768	750	725	700	680	659	4.5
RI 1200	1420	3.10	1154	1130	1107	1607	1054	1030	1006	979	953	927	901	4.5





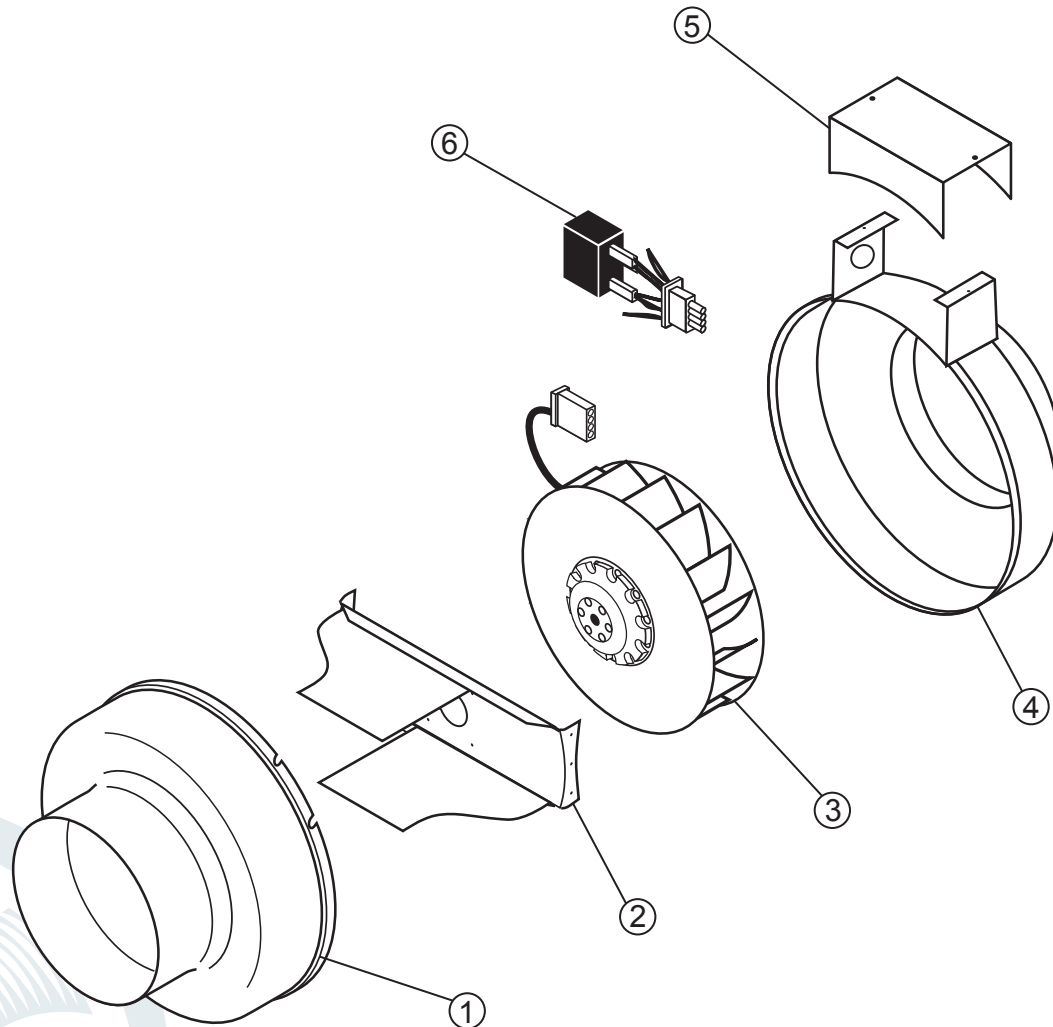
REFERENCE	DESCRIPTION	PART NO.	
1	Top Housing	014800	
2	Motor Bracket	010211	
3	Motor / Wheel	013070	
4	Bottom Housing	014800	
5	Electrical Cover	010214	
6	Connector and Capacitor	014050	



REFERENCE	DESCRIPTION	PART NO.	
1	Top Housing RI-500	014802	
	Top Housing RI-700	014804	
	Top Housing RI-900	014809	
2	Motor Bracket	010211	
3	Motor / Wheel RI-500	013033	
	Motor / Wheel RI-700	013032	
	Motor / Wheel RI-900	013034	
4	Bottom Housing RI-500	014803	
	Bottom Housing RI-700	014805	
	Bottom Housing RI-900	014810	
5	Electrical Cover	010217	
6	Connector and Capacitor	014050	

Reversomatic Manufacturing Ltd.

790 Rowntree Dairy Road, Woodbridge, ON Canada L4L 5V3 • Tel: 905-851-6701 • Fax: 905-851-8376
www.reversomatic.com • info@reversomatic.com



REFERENCE	DESCRIPTION	PART NO.	
1	Top Housing	014806	
2	Motor Bracket	010218	
3	Motor / Wheel	013038	
4	Bottom Housing	014807	
5	Electrical Cover	010217	
6	Connector and Capacitor	014050	



REVERSOMATIC
MANUFACTURING LIMITED

CF SERIES

(INLINE AND GENERAL EXHAUST)

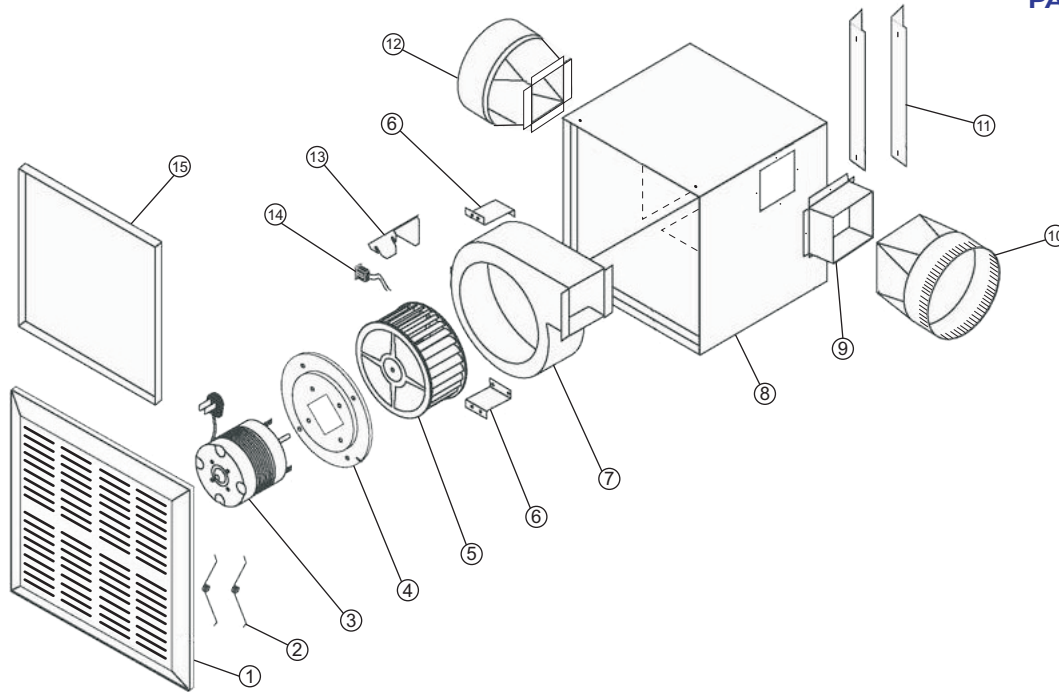


Reversomatic Manufacturing Ltd.

790 Rowntree Dairy Road, Woodbridge, ON Canada L4L 5V3 • Tel: 905-851-6701 • Fax: 905-851-8376
www.reversomatic.com • info@reversomatic.com



PARTS LIST



REFERENCE	DESCRIPTION	PART NO.	
1	Grille Painted	011105	
2	Torsion Spring	014004	
3	Motor CF-225	013022	
	Motor CF-375 & CF-425	013042	
4	Motor Mounting Plate	011381	
5	Blower Wheel CF-225	013208	
	Blower Wheel CF-375	013214	
	Blower Wheel CF-425	013216	
6	Blower Mounting Bracket	011073	
7	Blower Housing CF-225	010225	
	Blower Housing CF-375	010226	
	Blower Housing CF-425	010227	
8	Housing CF-225	010166	
	Housing CF-375	010167	
	Housing CF-425	010168	
9	Assemble Damper	010199	
10	Exhaust Transition 5" (In-line) CF-225	CF225TE-05	
	Exhaust Transition 6" (In-line) CF-375	CF375TE-06	
	Exhaust Transition 7" (In-line) CF-425	CF425TE-07	
11	Mounting Bracket	011591	
12	Intake Transition 5" (In-line) CF-225	CF225I-05	
	Intake Transition 6" (In-line) CF-375	CF375I-06	
	Intake Transition 7" (In-line) CF-425	CF425I-07	
13	Electric Box / Cover	011143	
14	Receptacle	014001	
15	Cover Plate (In-line)	011122	



REVERSOMATIC
MANUFACTURING LIMITED

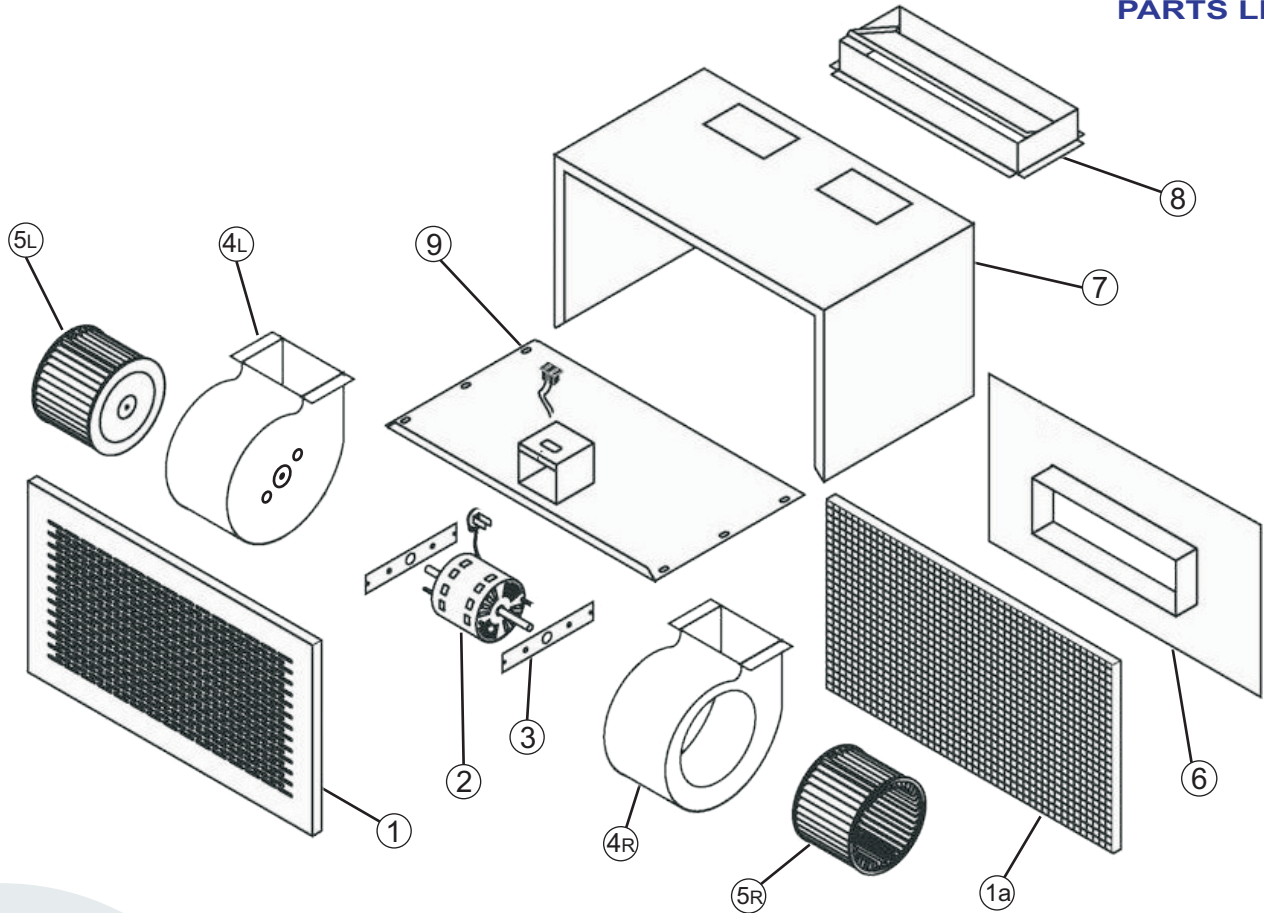
QCF SERIES

Quiet Ceiling Exhaust Fans
(FOR GENERAL EXHAUST AND INLINE FANS)



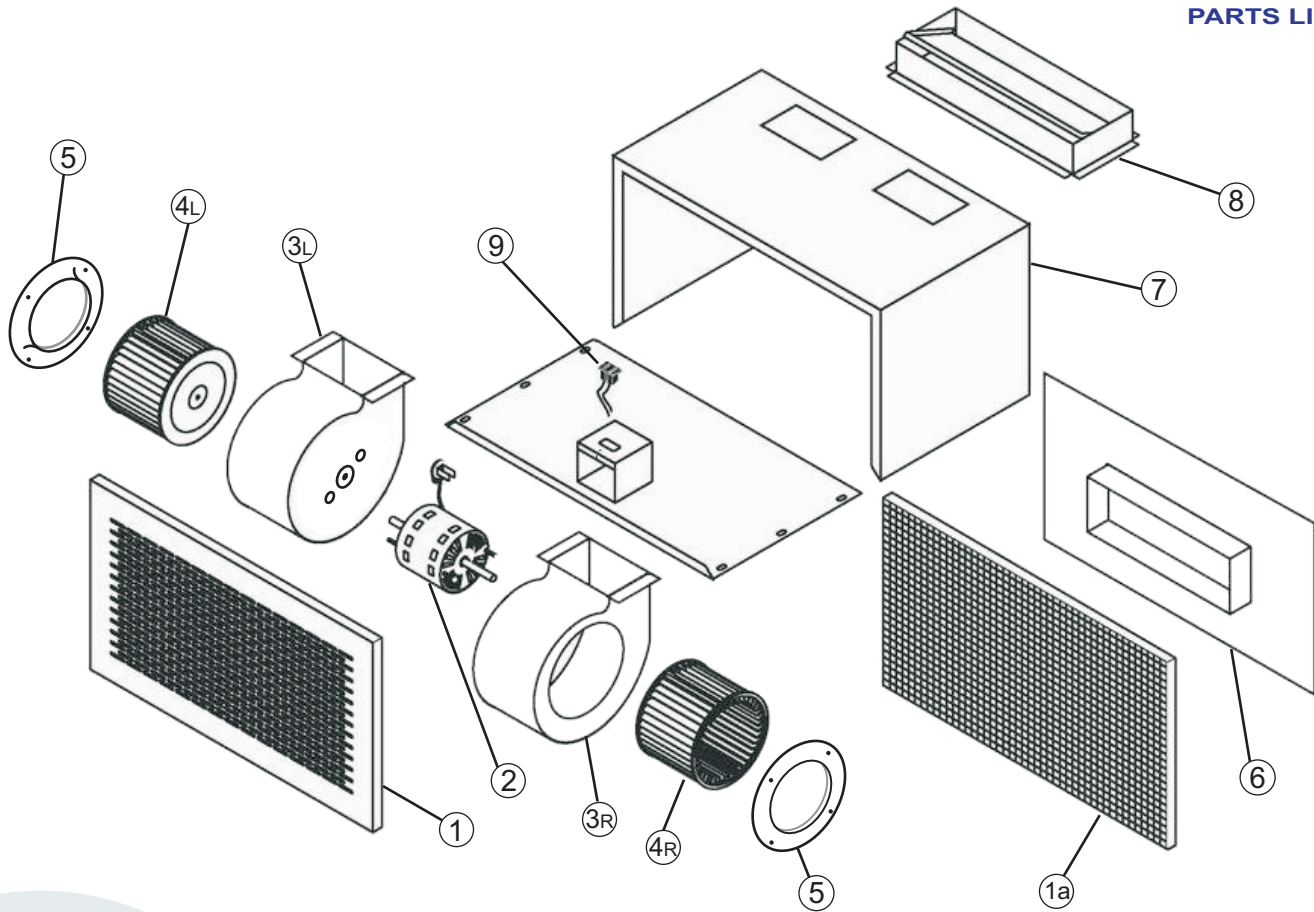
Reversomatic Manufacturing Ltd.

790 Rowntree Dairy Road, Woodbridge, ON Canada L4L 5V3 • Tel: 905-851-6701 • Fax: 905-851-8376
www.reversomatic.com • info@reversomatic.com

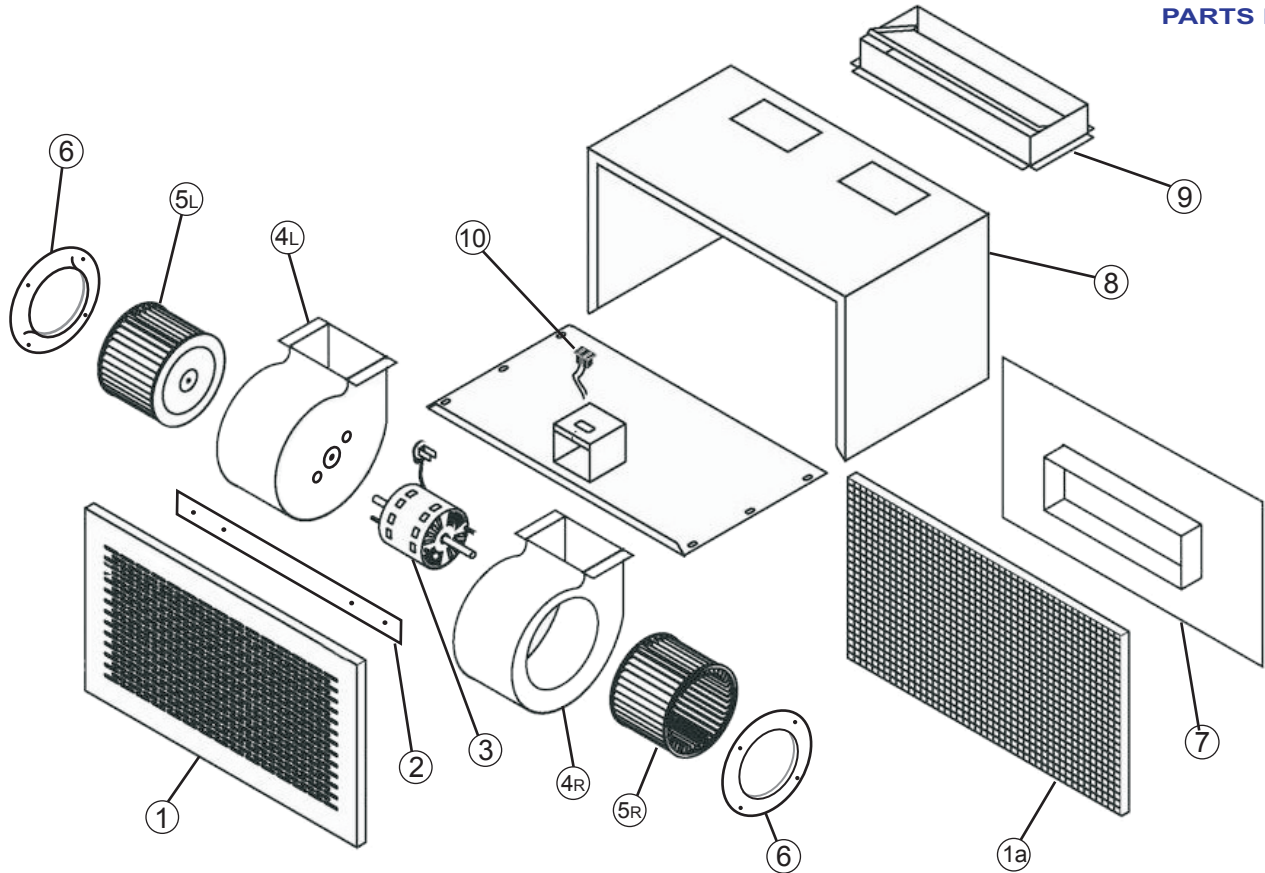


REFERENCE	DESCRIPTION	PART NO.	
-	Complete Blower Unit	QCF200MBA	
1	Removable Grille (Painted)	011187	
1a	Eggcrate Grille (optional)	4075	
2	Motor	013021	
3	Motor Brackets	011591	
4L	Blower Housing L	011481	
4R	Blower Housing R	011491	
5L	Centrifugal Blower Wheel CCW	013203	
5R	Centrifugal Blower Wheel CW	013204	
6	Intake Adapter (in-line)	011561	
7	Housing Insulated	010161	
8	Back Draft Damper assembly	010195	
9	Receptacle	014001	

Reversomatic Manufacturing Ltd.



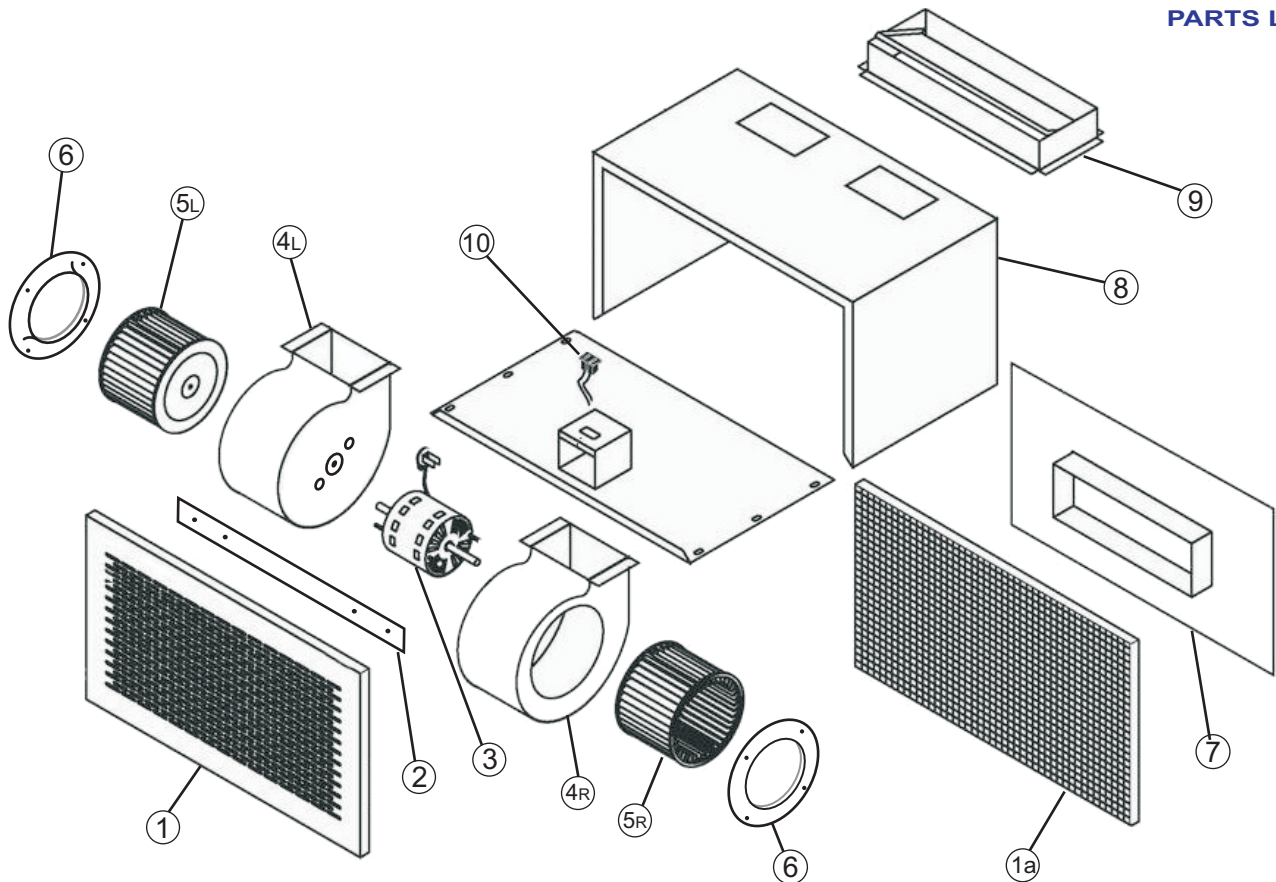
REFERENCE	DESCRIPTION	PART NO.	
-	Complete Blower Unit	QCF300MBA	
1	Removable Grille (Painted)	011187	
1a	Eggcrate Grille (Optional)	4075	
2	Motor	013023	
3L	Blower Housing L	011482	
3R	Blower Housing R	011492	
4L	Centrifugal Blower Wheel CCW	013209	
4R	Centrifugal Blower Wheel CW	013210	
5	Cover Plate / Inlet Ring	011081	
6	Intake Adapter (In-line)	011561	
7	Housing Insulated	010160	
8	Back Draft Damper Assembly	010195	
9	Receptacle	014001	



REFERENCE	DESCRIPTION	PART NO.	
-	Complete Blower Unit	QCF400MBA	
1	Removable Grille (Painted)	011185	
1a	Eggcrate Grille (Optional)	4076	
2	Stiffener Bar	011191	
3	Motor	013027	
4L	Blower Housing L	011483	
4R	Blower Housing R	011493	
5L	Centrifugal Blower Wheel CCW	013214	
5R	Centrifugal Blower Wheel CW	013213	
6	Cover Plate / Inlet Ring	011081	
7	Intake Adapter (In-line)	011562	
8	Housing Insulated	010160	
9	Back Draft Damper Assembly	010195	
10	Receptacle	014001	

Reversomatic Manufacturing Ltd.

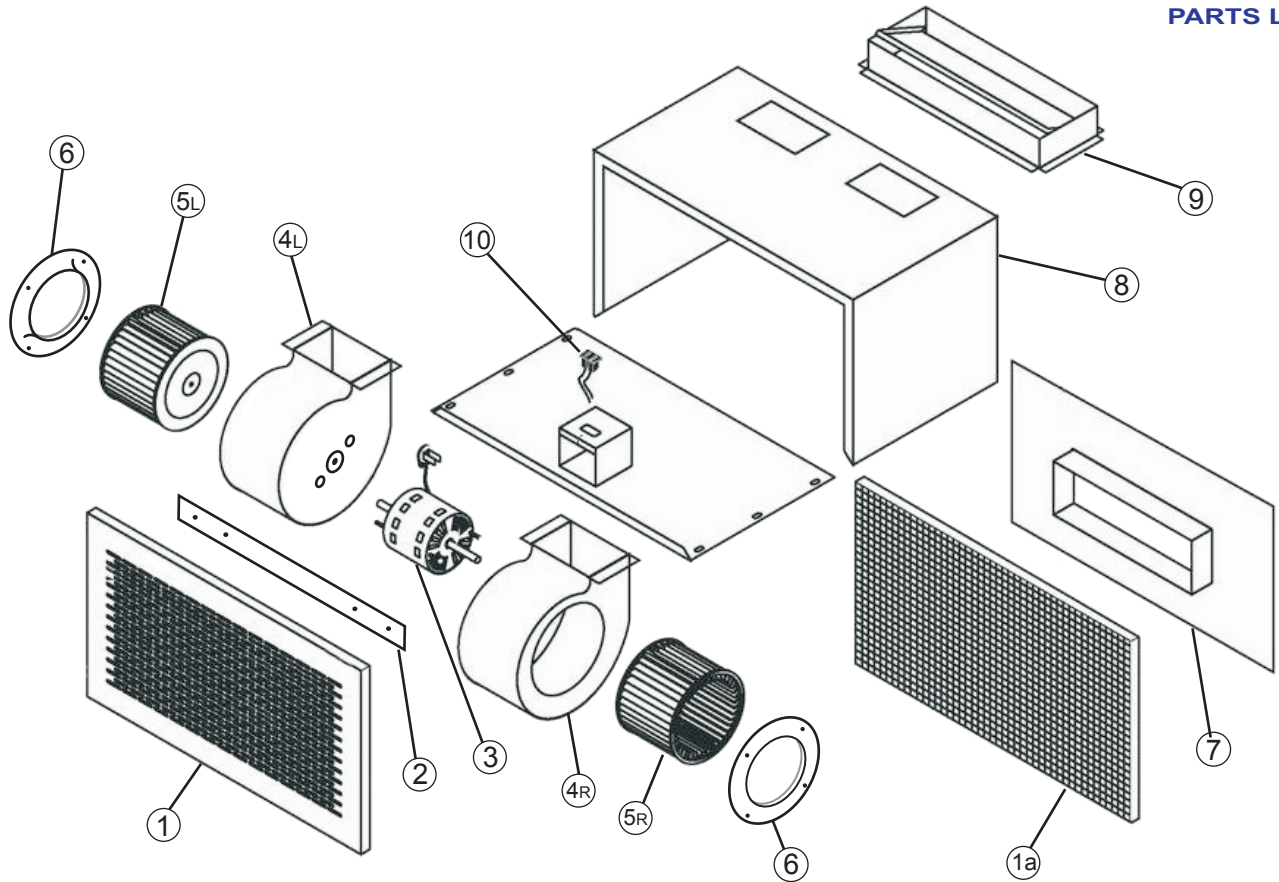
790 Rowntree Dairy Road, Woodbridge, ON Canada L4L 5V3 • Tel: 905-851-6701 • Fax: 905-851-8376
www.reversomatic.com • info@reversomatic.com



REFERENCE	DESCRIPTION	PART NO.	
-	Complete Blower Unit	QCF500MBA	
1	Removable Grille (Painted)	011186	
1a	Eggcrate Grille (Optional)	4077	
2	Stiffener Bar	011191	
3	Motor	013049	
4L	Blower Housing L	011484	
4R	Blower Housing R	011494	
5L	Centrifugal Blower Wheel CCW	013217	
5R	Centrifugal Blower Wheel CW	013218	
6	Cover Plate / Inlet Ring	011083	
7	Intake Adapter (In-line)	011563	
8	Housing Insulated	010162	
9	Back Draft Damper Assembly	010196	
10	Receptacle	014001	

Reversomatic Manufacturing Ltd.

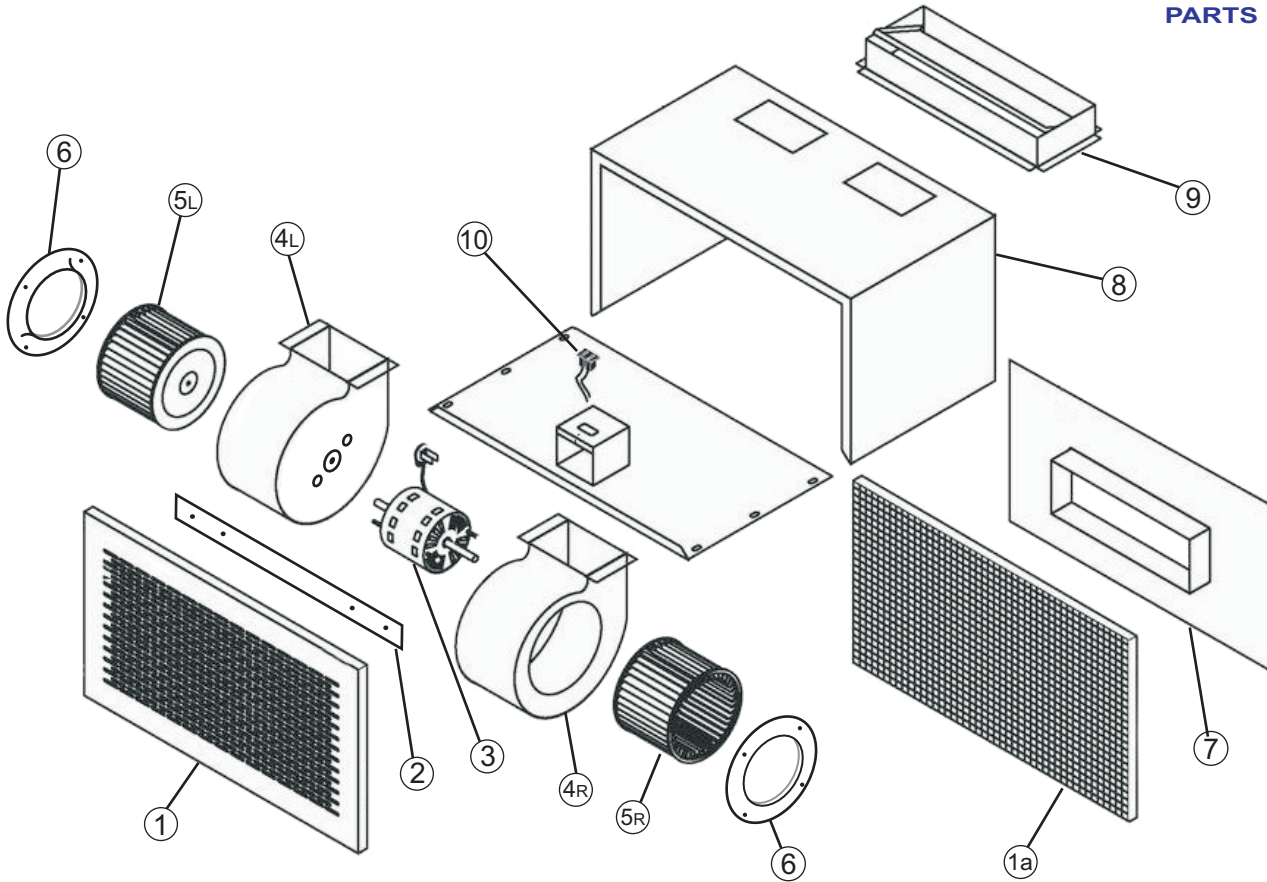
790 Rowntree Dairy Road, Woodbridge, ON Canada L4L 5V3 • Tel: 905-851-6701 • Fax: 905-851-8376
www.reversomatic.com • info@reversomatic.com



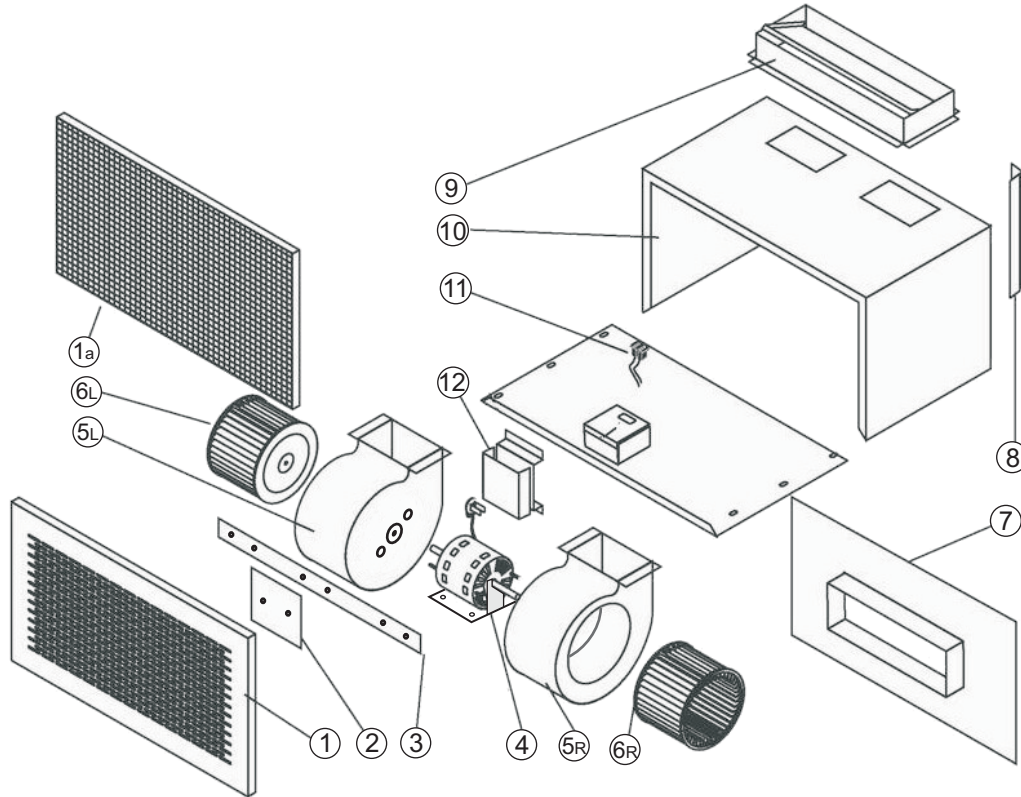
REFERENCE	DESCRIPTION	PART NO.	
-	Complete Blower Unit	QCF600MBA	
1	Removable Grille (Painted)	011186	
1a	Eggcrate Grille (Optional)	4077	
2	Stiffener Bar	011191	
3	Motor	013049	
4L	Blower Housing L	011485	
4R	Blower Housing R	011495	
5L	Centrifugal Blower Wheel CCW	013219	
5R	Centrifugal Blower Wheel CW	013220	
6	Cover Plate / Inlet Ring	011083	
7	Intake Adapter (In-line)	011563	
8	Housing Insulated	010162	
9	Back Draft Damper Assembly	010196	
10	Receptacle	014001	

Reversomatic Manufacturing Ltd.

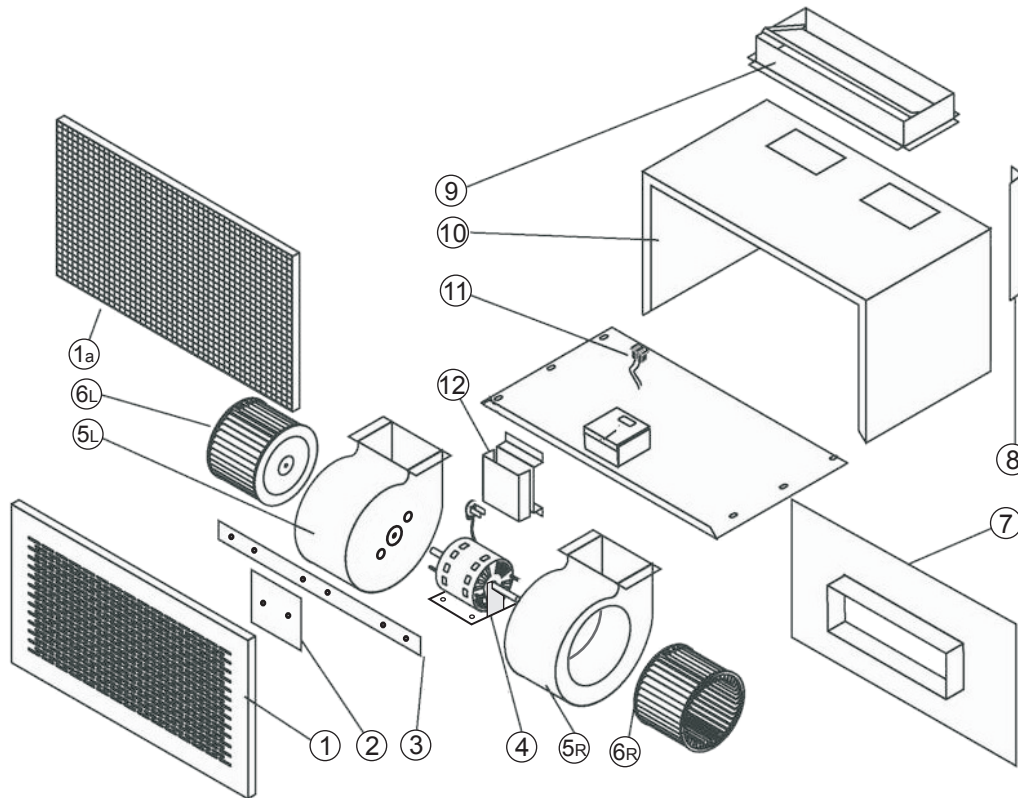
790 Rowntree Dairy Road, Woodbridge, ON Canada L4L 5V3 • Tel: 905-851-6701 • Fax: 905-851-8376
www.reversomatic.com • info@reversomatic.com



REFERENCE	DESCRIPTION	PART NO.
-	Complete Blower Unit	QCF800MBA
1	Removable Grille (Painted)	011186
1a	Eggcrate Grille (Optional)	4077
2	Stiffener Bar	011191
3	Motor	013049
4R	Blower Housing R	011486
4L	Blower Housing L	011496
5L	Centrifugal Blower Wheel CCW	013221
5R	Centrifugal Blower Wheel CW	013222
6	Cover Plate / Inlet Ring	011084
7	Intake Adapter (In-line)	011563
8	Housing Insulated	010162
9	Back Draft Damper Assembly	010196
10	Receptacle	014001



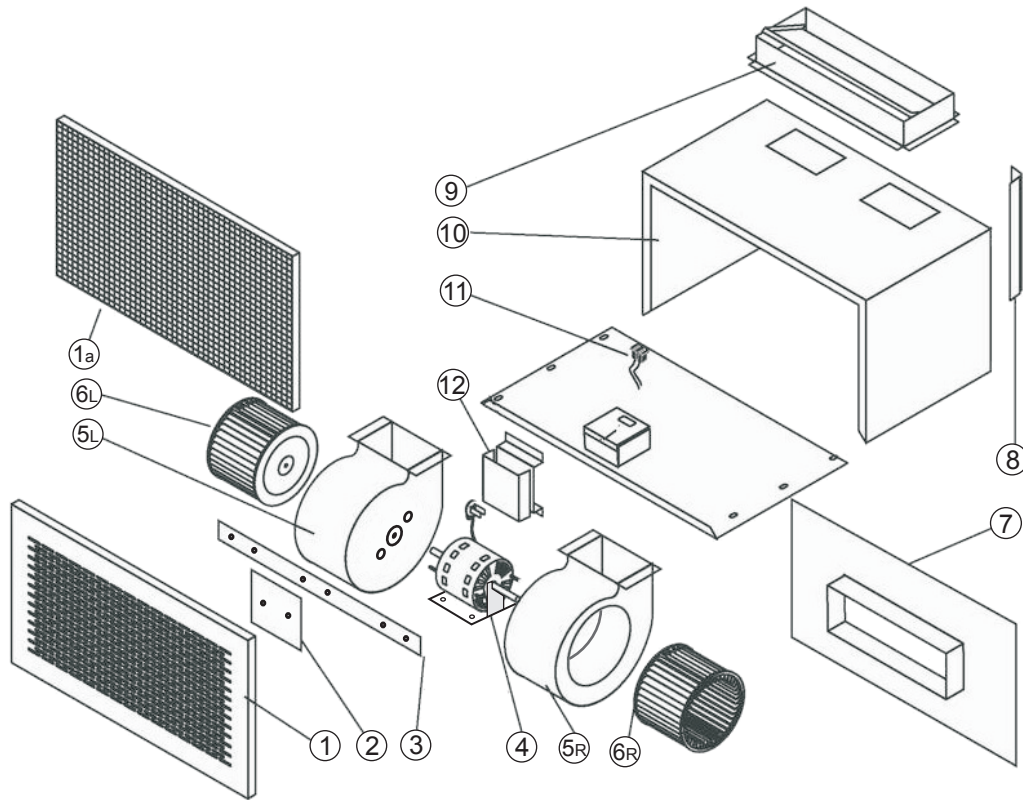
REFERENCE	DESCRIPTION	PART NO.	
-	Complete Blower Unit	QCF1000MBA	
1	Removable Grille (Painted)	011188	
1a	Eggcrate Grille (Optional)	4078	
2	Motor Protector Plate	011200	
3	Stiffener Bar	011192	
4	Motor	013026	
5R	Blower Housing R	011487	
5L	Blower Housing L	011497	
6L	Centrifugal Blower Wheel CW	013272	
6R	Centrifugal Blower Wheel CCW	013271	
7	Intake Adapter (In-line)	011564	
8	Mounting Bracket	011593	
9	Back Draft Damper Assembly	010197	
10	Housing Insulated	010163	
11	Receptacle	014001	
12	Upper Motor Mtg. Plate	011051	
	Lower Motor Mtg. Plate	011052	



REFERENCE	DESCRIPTION	PART NO.	
-	Complete Blower Unit	QCF1300MBA	
1	Removable Grille (Painted)	011189	
1a	Eggcrate Grille (Optional)	4080	
2	Motor Protector Plate	011200	
3	Stiffener Bar	011193	
4	Motor	013026	
5L	Blower Housing L	011488	
5R	Blower Housing R	011498	
6L	Centrifugal Blower Wheel CCW	013274	
6R	Centrifugal Blower Wheel CW	013273	
7	Intake Adapter (In-line)	011565	
8	Mounting Bracket	011593	
9	Back Draft Damper Assembly	010198	
10	Housing Insulated	010163	
11	Receptacle	014001	
12	Upper Motor Mtg. Plate	011051	
	Lower Motor Mtg. Plate	011052	

Reversomatic Manufacturing Ltd.

790 Rowntree Dairy Road, Woodbridge, ON Canada L4L 5V3 • Tel: 905-851-6701 • Fax: 905-851-8376
www.reversomatic.com • info@reversomatic.com



REFERENCE	DESCRIPTION	PART NO.	
-	Complete Blower Unit	QCF1600MBA	
1	Removable Grille (Painted)	011189	
1a	Eggcrate Grille (Optional)	4080	
2	Motor Protector Plate	011200	
3	Stiffener Bar	011194	
4	Motor	013026	
5L	Blower Housing L	011489	
5R	Blower Housing R	011499	
6L	Centrifugal Blower Wheel CCW	013275	
6R	Centrifugal Blower Wheel CW	013276	
7	Intake Adapter (In-line)	011565	
8	Mounting Bracket	011593	
9	Back Draft Damper Assembly	010198	
10	Housing Insulated	010165	
11	Receptacle	014001	
12	Upper Motor Mtg. Plate	011051	
	Lower Motor Mtg. Plate	011052	

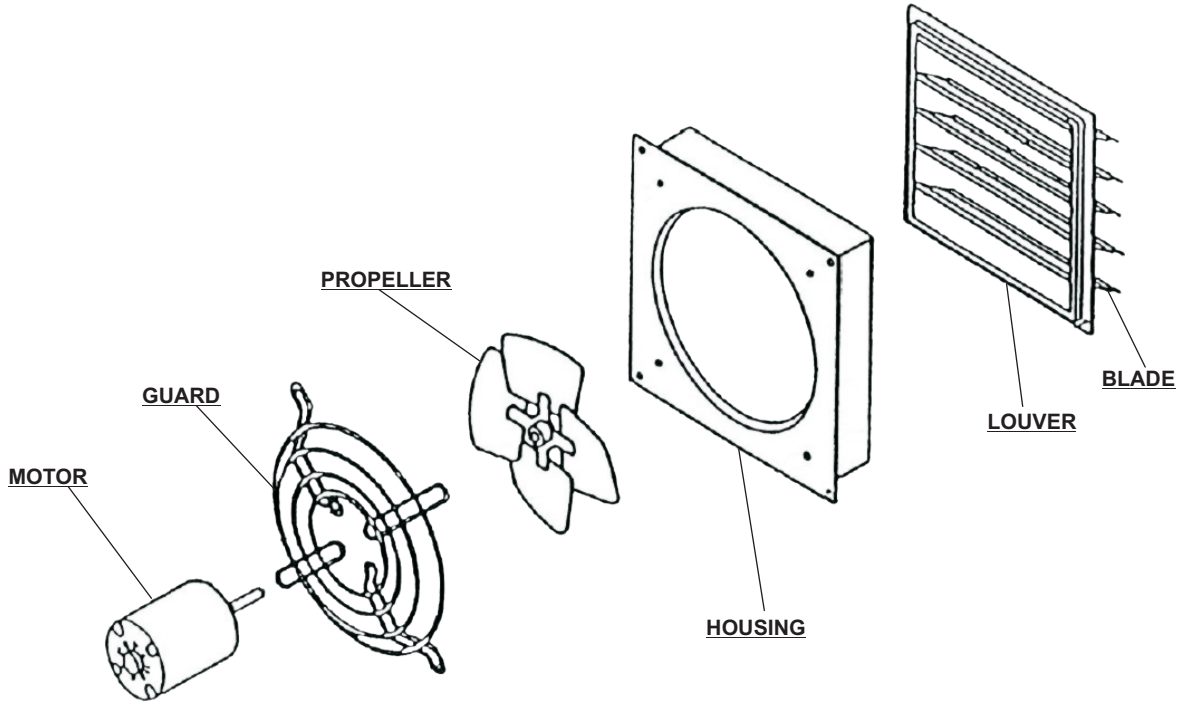
Reversomatic Manufacturing Ltd.



REVERSOMATIC
MANUFACTURING LIMITED

A SERIES





MODEL	FAN SIZE	MOTOR			PARTS	GUARD	PROPELLER	HOUSING	OSHA GUARD	BLADE
		Bearing	HP	Part No.						
A 8-2	8"	Sleeve	1/30	013025	Part No.	014021	013251	010121	010281	011061
A 10-2	10"	Sleeve	1/30	013025	Part No.	014021	013252	010122	010281	011062
A 12	12"	Ball	1/4	013051	Part No.	014022	013253	010123	010282	011063
A 12-2			1/4, 1/20	013052						
A 14	14"	Ball	1/4	013051	Part No.	014022	013254	010124	010282	011064
A 14-2			1/4, 1/20	013052						
A 16	16"	Ball	1/4	013051	Part No.	014023	013255	010125	010283	011065
A 16-2			1/4, 1/20	013052						
A 18	18"	Ball	1/3	013054	Part No.	014023	013256	010126	010283	011066
A 18-2			1/3, 1/15	013053						
A 20	20"	Ball	1/3	013054	Part No.	014024	013257	010127	010284	011067
A 20-2			1/3, 1/15	013053						
A 24	24"	Ball	1/3	013056	Part No.	014024	013258	010128	010285	011068
A 24-V			1/3	013055						



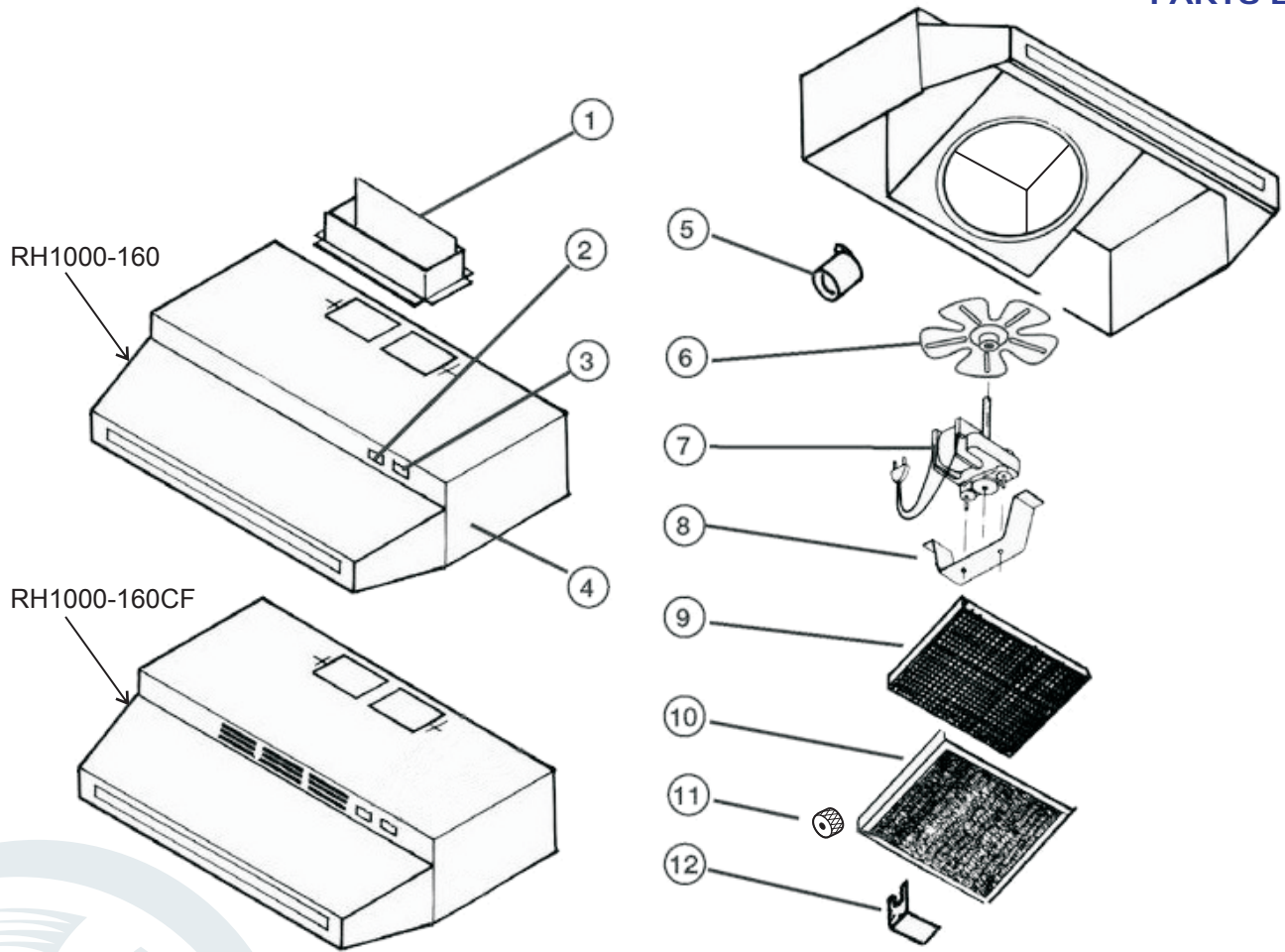
R A N G E H O O D S

Model	Motor		CFM @ SP											Sones at grille
	RPM	AMPs	0.00	0.05	0.10	0.15	0.20	0.25	0.30	0.35	0.40	0.45	0.50	
2000-130	1650	1.00	125	117	108	101	93	84	75	55	35	-	-	3.0
1000-160	2400	1.30	173	159	146	123	100	80	61	40	20	-	-	8.5
1000-160CF	2400	1.30	173	159	146	173	200	181	162	137	112	76	40	8.5
2000-200	1500	1.40	190	183	176	171	166	160	154	147	140	135	129	6.0
4000-200	1100	1.20	220	211	203	196	190	187	184	179	175	167	160	5.5
4000-300	1100	1.20	240	225	211	201	192	183	174	165	156	143	131	6.5
4000-250ES2*	1100	0.33	246	237	228	219	210	199	188	173	159	141	123	2.0
1000-225CF	2200	2.00	263	246	230	215	200	181	162	137	112	76	40	11.0
1000-225	2200	2.00	263	247	230	215	200	181	162	137	112	76	40	11.0
3000-300	1500	1.30	285	271	256	246	235	219	203	182	160	-	-	6.0
4000-400	1100	1.50	340	317	315	303	292	281	270	263	256	246	236	7.0
3000-475	1500	2.40	417	399	381	362	343	324	304	282	259	225	190	6.5



RH1000-160, RH1000-160CF

PARTS LIST



REFERENCE	DESCRIPTION	PART NO.	
1	Outlet Damper	010271	
2	Light Switch	014011	
3	Fan Switch	014012	
4	Housing 24"	010259	
	Housing 30"	010261	
5	Socket	014008	
6	Blade	013281	
7	Motor	013007	
8	Motor Bracket	011118	
9	Charcoal Filter	4050	
10	Grease Filter	4046	
11	Nut	014016	
12	Grease Filter Clamp	018112	

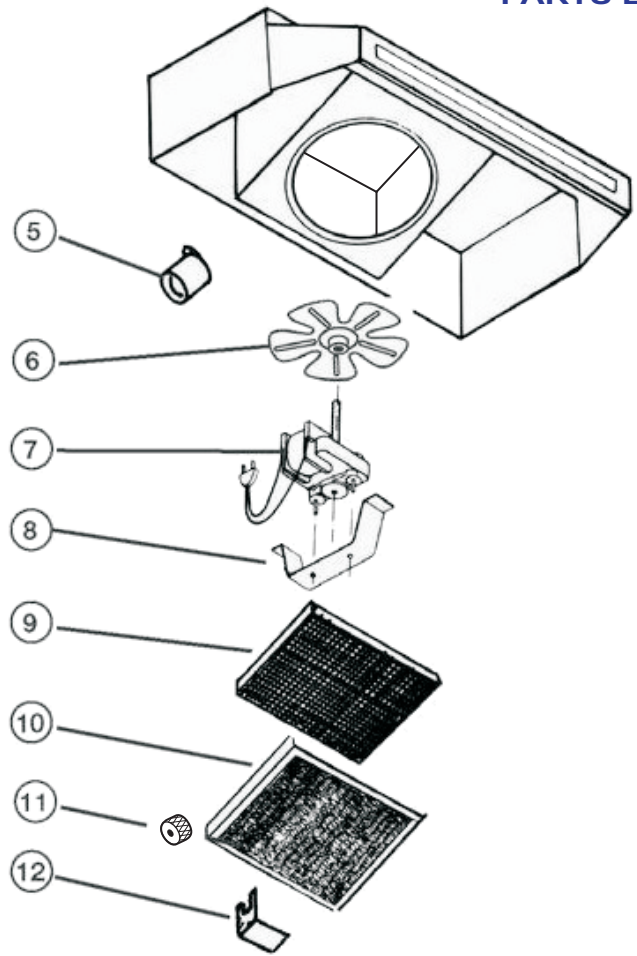
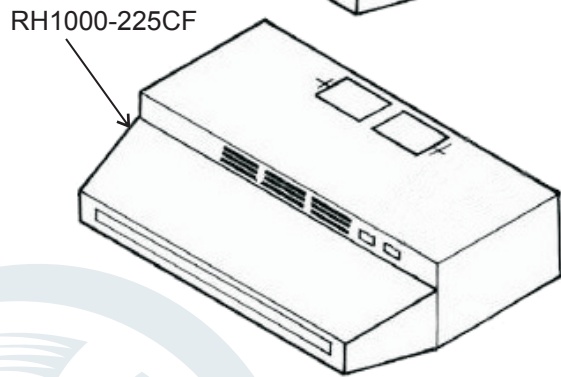
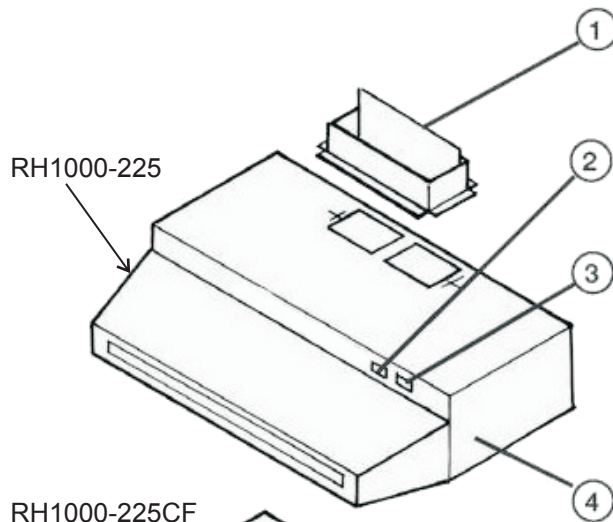
Reversomatic Manufacturing Ltd.

790 Rowntree Dairy Road, Woodbridge, ON Canada L4L 5V3 • Tel: 905-851-6701 • Fax: 905-851-8376
www.reversomatic.com • info@reversomatic.com



RH1000-225, RH1000-225CF

PARTS LIST

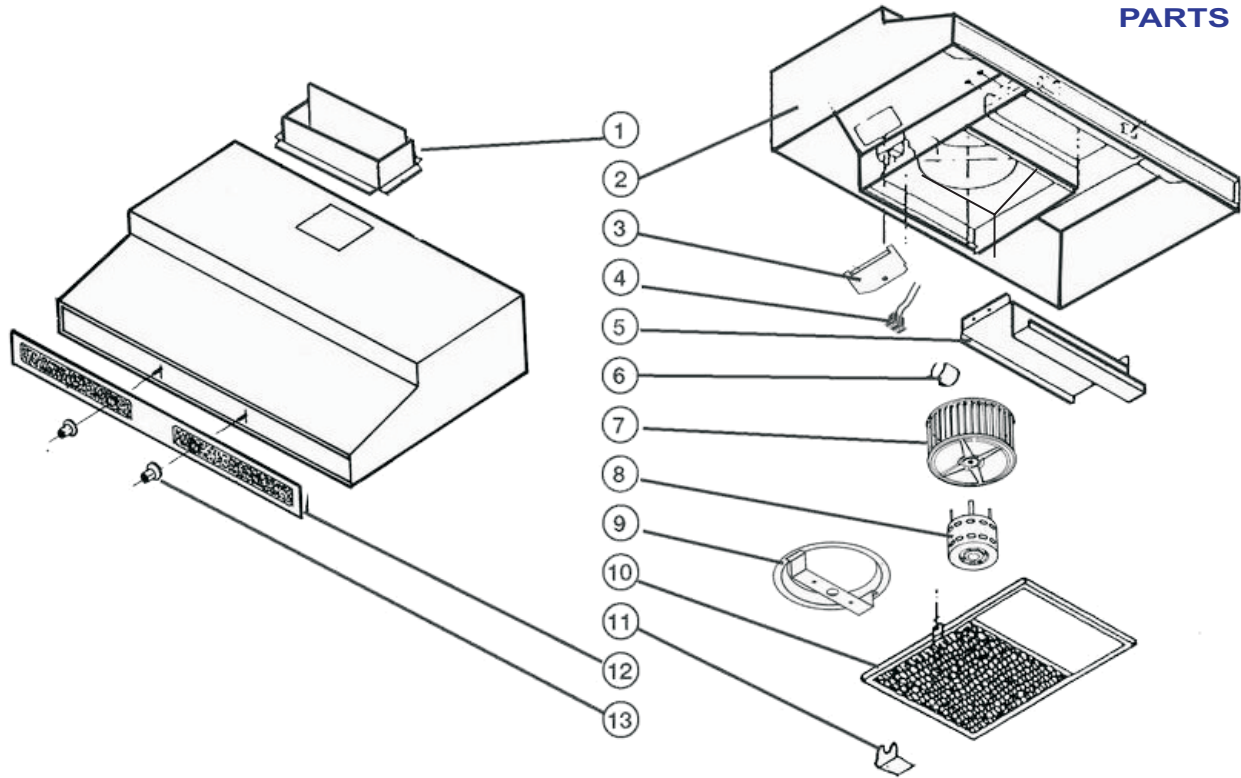


REFERENCE	DESCRIPTION	PART NO.	
1	Outlet Damper	010271	
2	Light Switch	014011	
3	Motor Speed Control	014003	
4	Housing 24"	010260	
	Housing 30"	010262	
5	Socket	014008	
6	Blade	013282	
7	Motor	013006	
8	Motor Bracket	011119	
9	Charcoal Filter	4051	
10	Grease Filter	4047	
11	Nut	014016	
12	Grease Filter Clamp	018112	

Reversomatic Manufacturing Ltd.



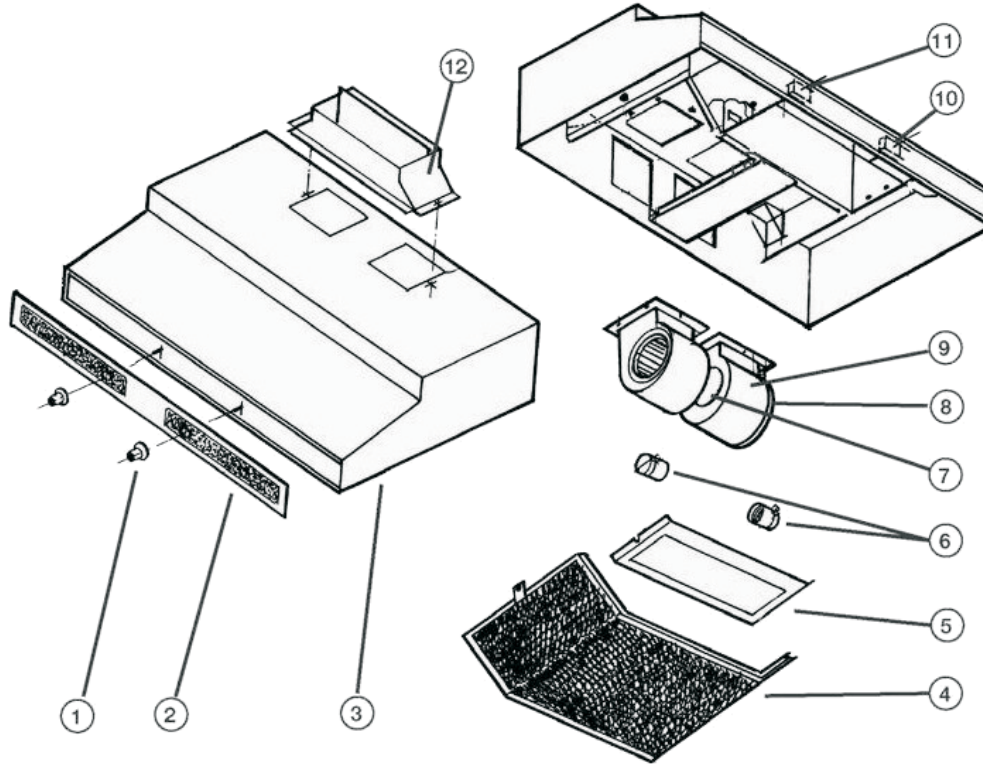
PARTS LIST



REFERENCE	DESCRIPTION	PART NO.	
1	Outlet Transition c/w Damper	010272	
2	Housing 24"	010263	
	Housing 30 "	010264	
	Housing 36 "	010265	
3	Electric Box / Cover	011141	
4	Receptacle	014001	
5	Light Compartment	011092	
6	Lamp Socket	014009	
7	Blower Wheel 2000-130	013207	
	Blower Wheel 2000-200	013211	
8	Motor 2000-130	013018	
	Motor 2000-200	013024	
9	Motor Bracket 2000-130	010232	
	Motor Bracket 2000-200	010234	
10	Grease Filter and Light Lens Combination	4048	
11	Clamp	018112	
12	Front Panel	014051	
13	Knob	014015	

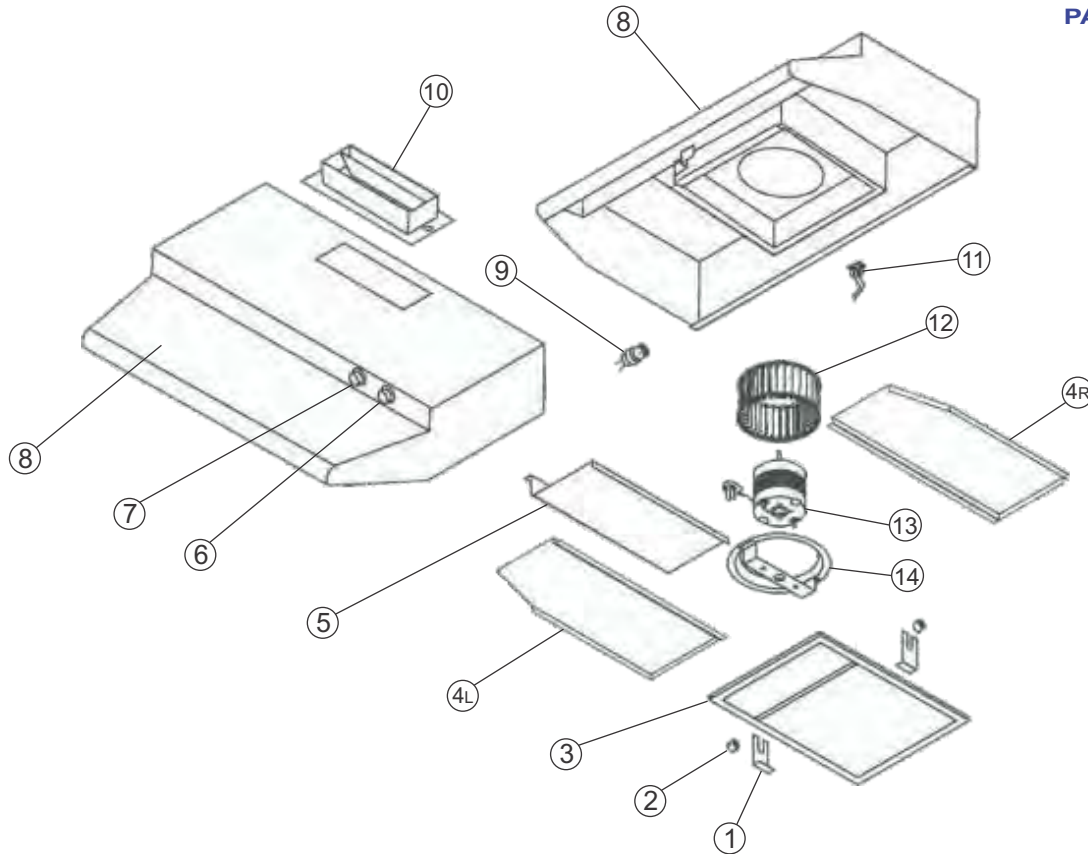


PARTS LIST



REFERENCE	DESCRIPTION	PART NO.	
1	Knob	014015	
2	Front Panel	014052	
3	Housing 30"	010266	
	Housing 36"	010267	
4	Grease Filter	4049	
5	Lighting Panel	011822	
6	Lamp Socket	014009	
7	Motor 3000-475	013058	
	Motor 3000-300	013022	
8	Blower Wheels 3000-475	013223 / 013224	
	Blower Wheels 3000-300	013203 / 013204	
9	Blower Housing 3000-475	010312 010313	
	Blower Housing 3000-300	010310 010311	
10	Motor Speed Control	014003	
11	ON/OFF Switch	014010	
12	Damper Range Hood	010273	

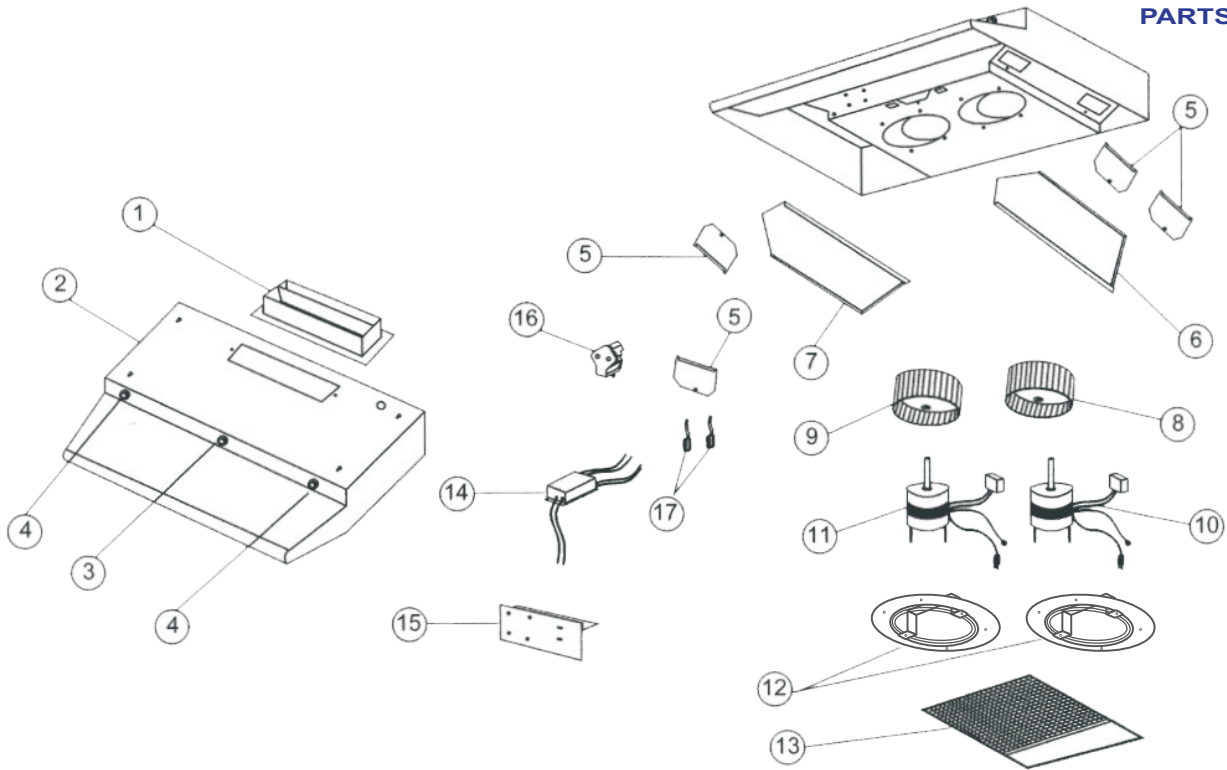
Reversomatic Manufacturing Ltd.



REFERENCE	DESCRIPTION	PART NO.	
1	Clip	018112	
2	Knurled Nut	014016	
3	Lighting Panel	011822	
4	Right Panel	010335	
	Left Panel	010336	
5	Light Compartment	011092	
6	ON/OFF Switch	014010	
7	Speed Control	014003	
8	Housing	010264	
9	Lamp Socket	014009	
10	Outlet Transition c/w Damper	010272	
11	Receptacle	014001	
12	Blower Wheel	013211	
13	Motor	013022	
14	Inlet Ring	010232	



PARTS LIST



REFERENCE	DESCRIPTION	PART NO.
1	Outlet Transition c/w Damper	010271
2	Housing 30"	4313
	Housing 36"	4314
3	Light On/Off Switch	014010
4	Fan Motor Speed Control	014003
5	Electric Cover	011141
6	Right Panel	010350
7	Left Panel	010351
8	Blower wheels - Right Side CW	013212
9	Blower wheels - Right Side CCW	013211
10	Motors w/ Capacitor - Right Side CW	013035
11	Motors w/ Capacitor - Left Side CCW	013060
12	Motor bracket c/w Finger Guard	010237
13	Grease Filter & Light Lens Combination	4054
14	Fluorescent Ballast for 4 pin Fluorescent Bulb	016133
15	Light Bracket	010241
16	4 Pin Bulb Socket	016134
17	Receptacle	014001

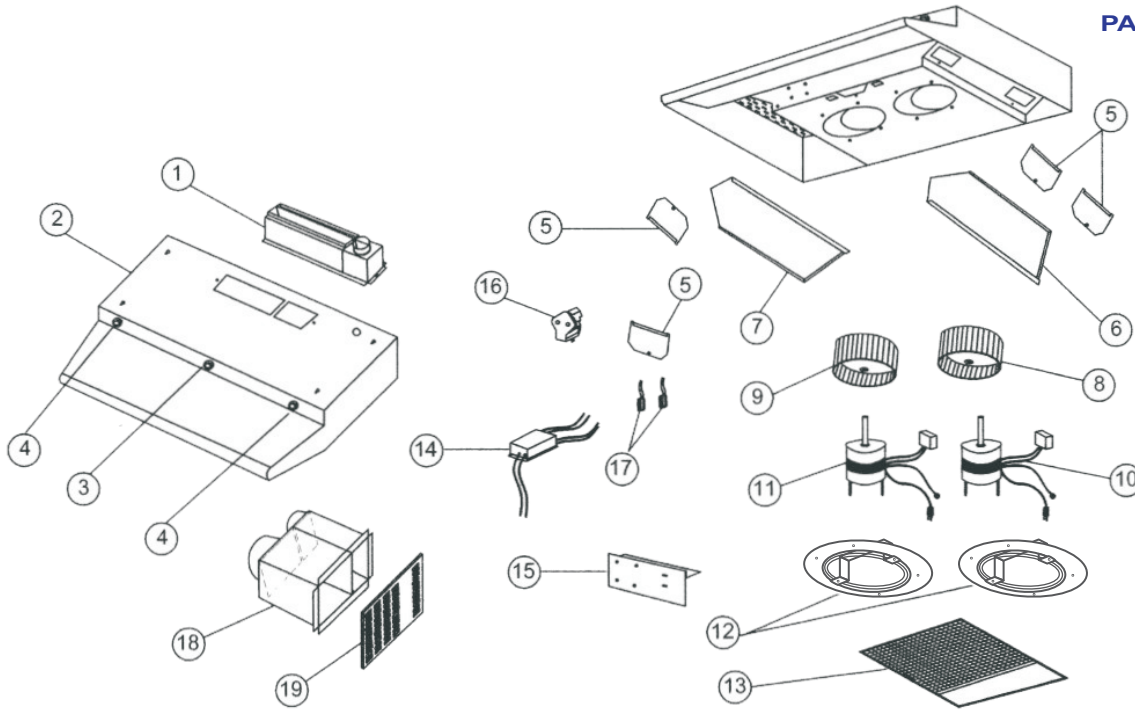
Reversomatic Manufacturing Ltd.

790 Rowntree Dairy Road, Woodbridge, ON Canada L4L 5V3 • Tel: 905-851-6701 • Fax: 905-851-8376
www.reversomatic.com • info@reversomatic.com



RH4000-250ES2 c/w Fresh Air Intake

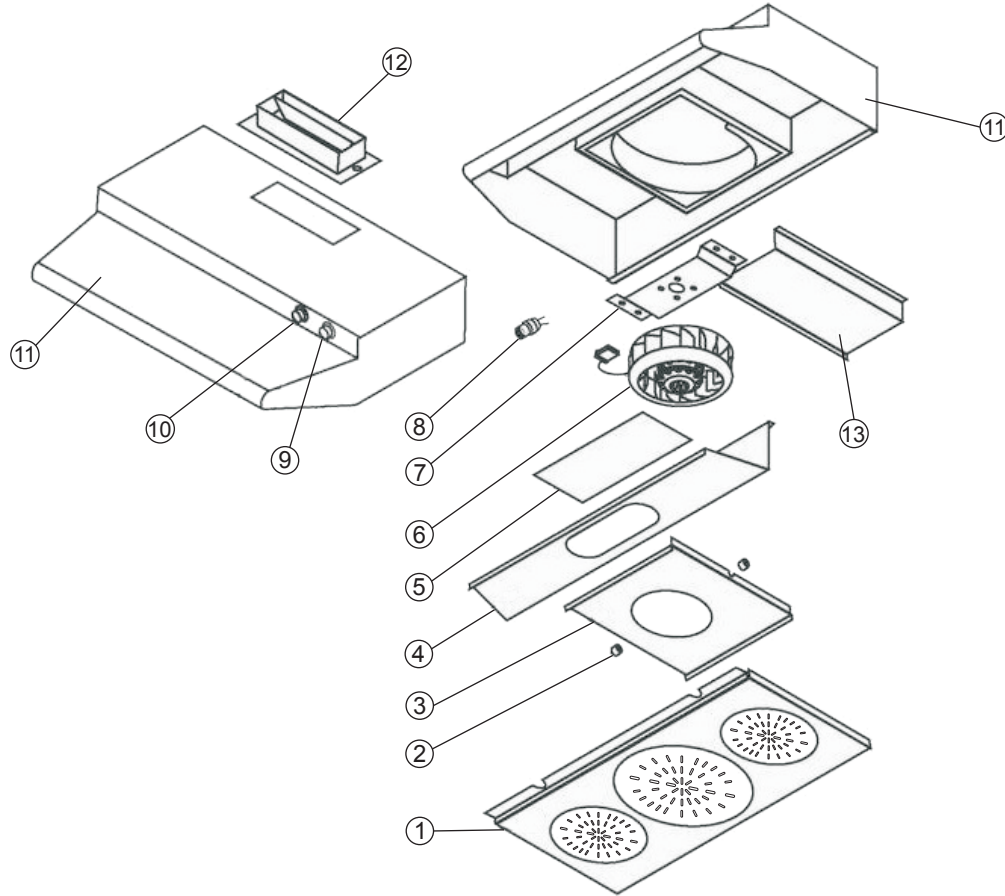
PARTS LIST



REFERENCE	DESCRIPTION	PART NO.
1	Outlet / Inlet Transition c/w Damper	010275
2	Housing c/w Fresh Air Intake 30"	4311
	Housing c/w Fresh Air Intake 36"	4312
3	Light On/Off Switch	014010
4	Fan Motor Speed Control	014003
5	Electric Cover	011141
6	Right Panel	010350
7	Left Panel	010351
8	Blower wheels - Right Side CW	013212
9	Blower wheels - Right Side CCW	013211
10	Motors w/ Capacitor - Right Side CW	013035
11	Motors w/ Capacitor - Left Side CCW	013060
12	Motor bracket c/w Finger Guard	010237
13	Grease filter and light lens Combination	4054
14	Fluorescent ballast for 4 pin Fluorescent Bulb	016133
15	Light Bracket	010241
16	4 Pin Bulb Socket	016134
17	Receptacle	014001
18	Outlet / Inlet Wallbox c/w Damper	4055
19	Grille for Wallbox	4056

Reversomatic Manufacturing Ltd.

790 Rowntree Dairy Road, Woodbridge, ON Canada L4L 5V3 • Tel: 905-851-6701 • Fax: 905-851-8376
www.reversomatic.com • info@reversomatic.com



REFERENCE	DESCRIPTION	PART NO.	
1	Filter Tray	014070	
2	Knurled Nut	014016	
3	Fan Housing Cover	011921	
4	Light Cover	014052	
5	Light Panel	011922	
6	Motor / Blower Wheel RH4000-300	013070	
	Motor / Blower Wheel RH4000-400	013033	
7	Motor Bracket	011040	
8	Lamp Socket	014009	
9	ON/OFF Switch	014010	
10	Motor Speed Control	014003	
11	Housing	010378	
12	Outlet Transition c/w Damper	010272	
13	Electrical Cover	010207	

Reversomatic Manufacturing Ltd.

790 Rowntree Dairy Road, Woodbridge, ON Canada L4L 5V3 • Tel: 905-851-6701 • Fax: 905-851-8376
www.reversomatic.com • info@reversomatic.com



EXHAUST FANS FOR CUSTOM RH (OUTDOOR)

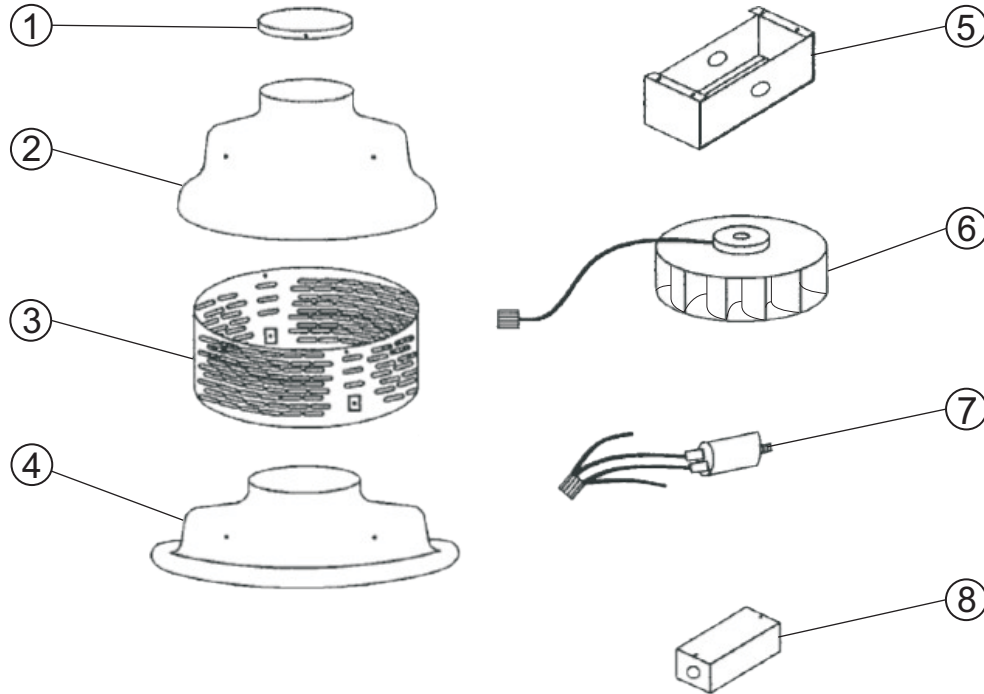
Model	Motor		CFM @ SP											Sones
	RPM	AMPs	0.00	0.05	0.10	0.15	0.20	0.25	0.30	0.35	0.40	0.45	0.50	at grille
RV-400, WRV-400	1675	0.90	416	401	386	366	346	327	308	441	266	235	204	1.5
RV-800, WRV-800	1540	1.10	760	731	702	665	627	605	545	516	487	458	430	2.0
RV-1200, WRV-1200	1570	1.50	1050	1031	1012	992	964	937	910	876	843	808	773	2.5





RV-400, RV-800, RV-1200, WRV-400, WRV-800, WRV-1200

PARTS LIST



REFERENCE	DESCRIPTION	PART NO.	
1	Cap RV / WRV-400	011006	
	Cap RV / WRV-800	011007	
	Cap RV / WRV-1200	011008	
2	Top Cover RV / WRV-400	011009	
	Top Cover RV / WRV-800	011010	
	Top Cover RV / WRV-1200	011011	
3	Mesh RV / WRV-400	011035	
	Mesh RV / WRV-800	011036	
	Mesh RV / WRV-1200	011037	
4	Bottom Cover RV / WRV-400	011015	
	Bottom Cover RV / WRV-800	011016	
	Bottom Cover RV / WRV-1200	011017	
5	Motor Bracket RV / WRV-400	011032	
	Motor Bracket RV / WRV-800	011033	
	Motor Bracket RV / WRV-1200	011034	
6	Motorized Wheel RV / WRV-400	013033	
	Motorized Wheel RV / WRV-800	013050	
	Motorized Wheel RV / WRV-1200	013034	
7	Connector & Capacitor (10/14 mfd)	014050	
8	Electrical Box with Cover	011055	

Reversomatic Manufacturing Ltd.



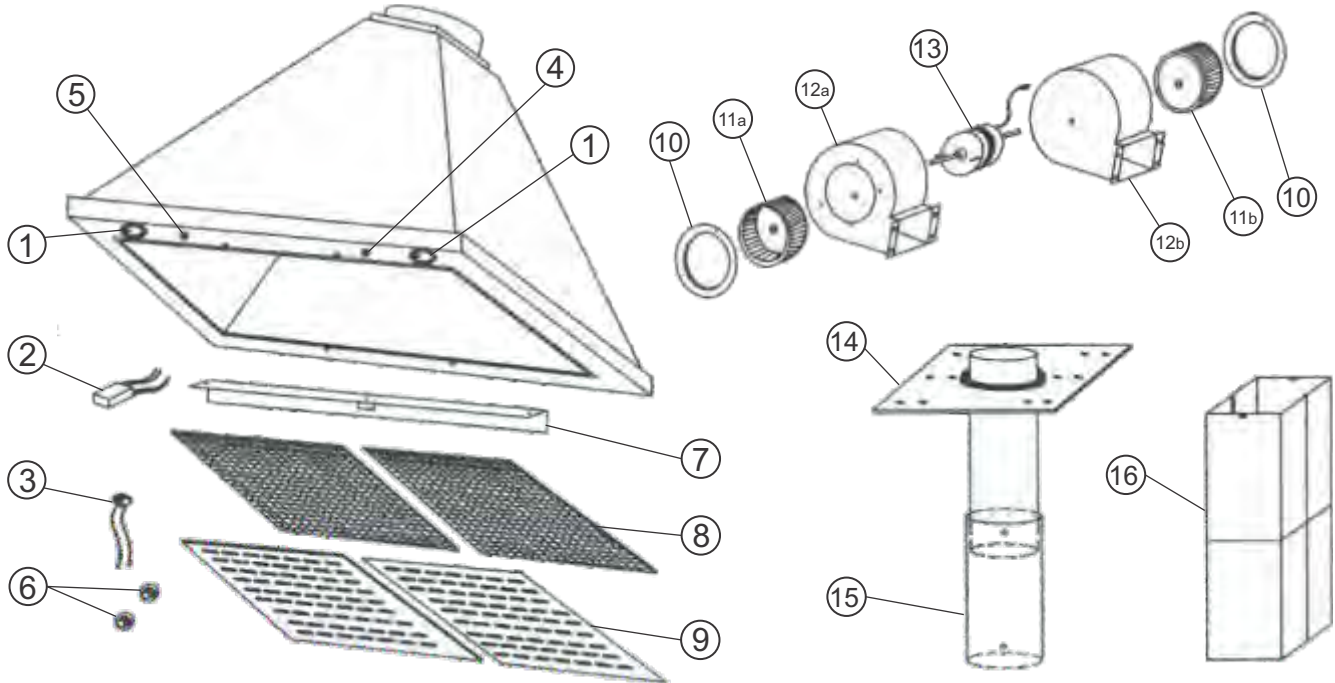
CUSTOM RANGE HOODS (ISLAND HOODS)

Model	Motor		CFM @ SP											Sones
	RPM	AMPS	0.00	0.05	0.10	0.15	0.20	0.25	0.30	0.35	0.40	0.45	0.50	at grille
CHI-36-300	1500	1.30	301	282	263	243	223	202	181	153	125	98	72	4.0
CHI-36-400	1500	2.40	420	403	386	367	349	326	304	279	255	222	190	5.0





PARTS LIST



REFERENCE	DESCRIPTION	PART NO.	
1	Puck Light (2) - 12V, 20W	014005	
2	Transformer for Puck Light - 12V, 20W	014017	
3	Receptacle	014001	
4	Fan Motor Speed Control	014003	
5	Light ON/OFF Switch	014010	
6	Knob (2)	014015	
7	Electrical Cover	010205	
8	Aluminum Mesh Grease Filter (2)	4044	
9	Inlet Grille (2)	010203	
10	Inlet Ring (2)	011081	
11a	Blower Wheel (CCW) - 300 CFM	013203	
11b	Blower Wheel (CW) - 300 CFM	013204	
11a	Blower Wheel (CW) - 400 CFM	013223	
11b	Blower Wheel (CCW) - 400 CFM	013224	
12a	Blower Housing (CW) - 300 CFM	010310	
12b	Blower Housing (CCW) - 300 CFM	010311	
12a	Blower Housing (CW) - 400 CFM	010312	
12b	Blower Housing (CCW) - 400 CFM	010313	
13	Motor CHI-36-300	013030	
	Motor CHI-36-400	013058	
14	8" dia. Steel Extension Pipe c/w Steel Support Bracket	010212	
15	8" dia. Steel Extension Pipe	010213	
16	Finishing Duct / Extension Duct	010206	

Reversomatic Manufacturing Ltd.

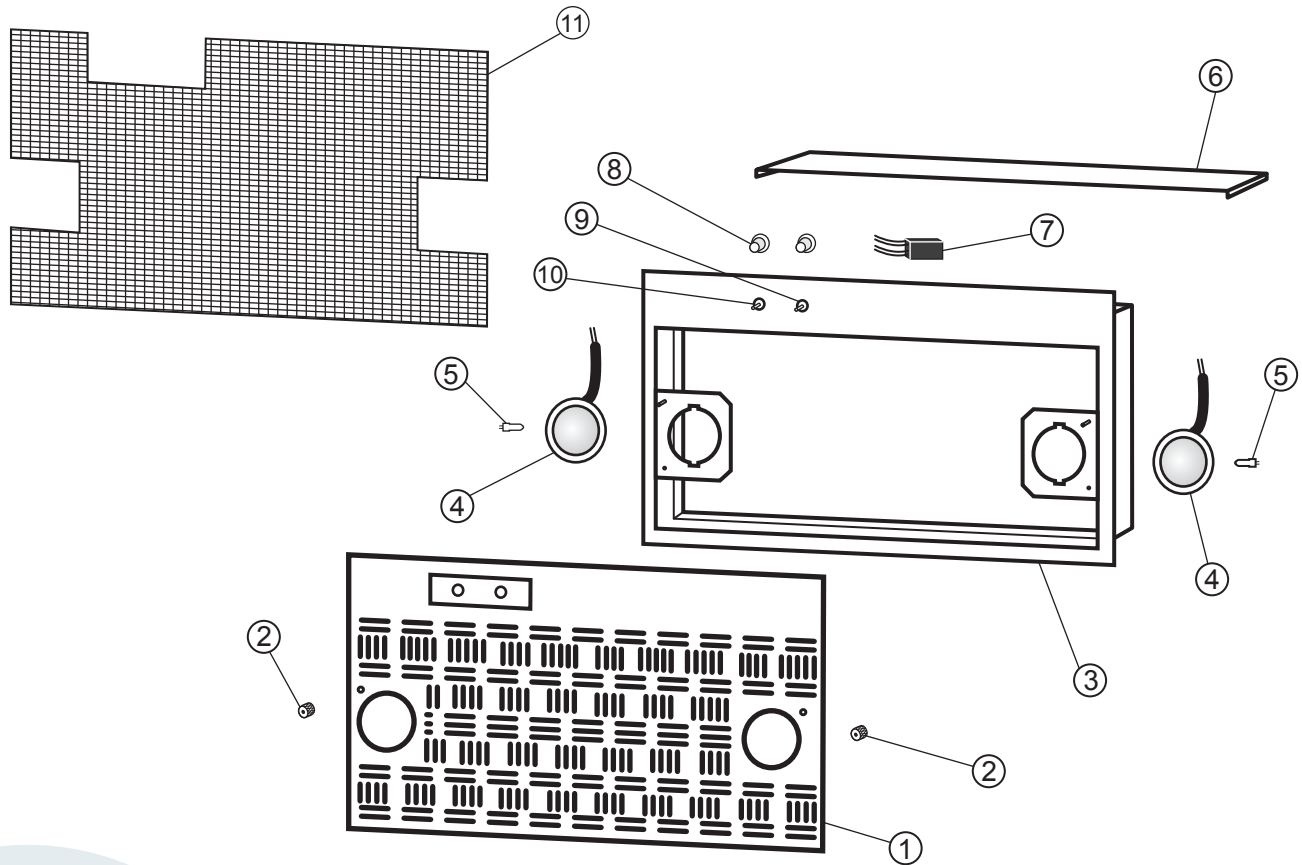
790 Rowntree Dairy Road, Woodbridge, ON Canada L4L 5V3 • Tel: 905-851-6701 • Fax: 905-851-8376
www.reversomatic.com • info@reversomatic.com



CONTROL UNITS FOR CUSTOM RANGE HOODS

Model	Motor		CFM @ SP											Sones at grille
	RPM	AMPS	0.00	0.05	0.10	0.15	0.20	0.25	0.30	0.35	0.40	0.45	0.50	
CU-500	0	0.00	-	-	-	-	-	-	-	-	-	-	-	0.0
CU-700	0	0.00	-	-	-	-	-	-	-	-	-	-	-	0.0





REFERENCE	DESCRIPTION	PART NO.
1	Decorative Mounting Trim CU-500 Steel <small>Painted (White / Black)</small>	011097
	Decorative Mounting Trim CU-500 Stainless Steel	011098
	Decorative Mounting Trim CU-700 Steel <small>Painted (White / Black)</small>	011099
	Decorative Mounting Trim CU-700 Stainless Steel	011100
2	Knurled Nut	014016
3	Housing Steel CU-500	011002
	Housing Steel CU-700	011003
4	Halogen Light Fixture	014030
5	Halogen Bulb 12V/20W	014031
6	Electrical Cover - Steel CU-500	011022
	Electrical Cover - Steel CU-700	011023
7	Halogen Lamp Electronic Transformer	014032
8	Knob	014015
9	Fan Motor Speed Controller	014003
10	Light ON/OFF Switch	014010
11	Aluminum Mesh Grease Filter CU-500	011029
	Aluminum Mesh Grease Filter CU-700	011031

Reversomatic Manufacturing Ltd.

790 Rowntree Dairy Road, Woodbridge, ON Canada L4L 5V3 • Tel: 905-851-6701 • Fax: 905-851-8376
www.reversomatic.com • info@reversomatic.com



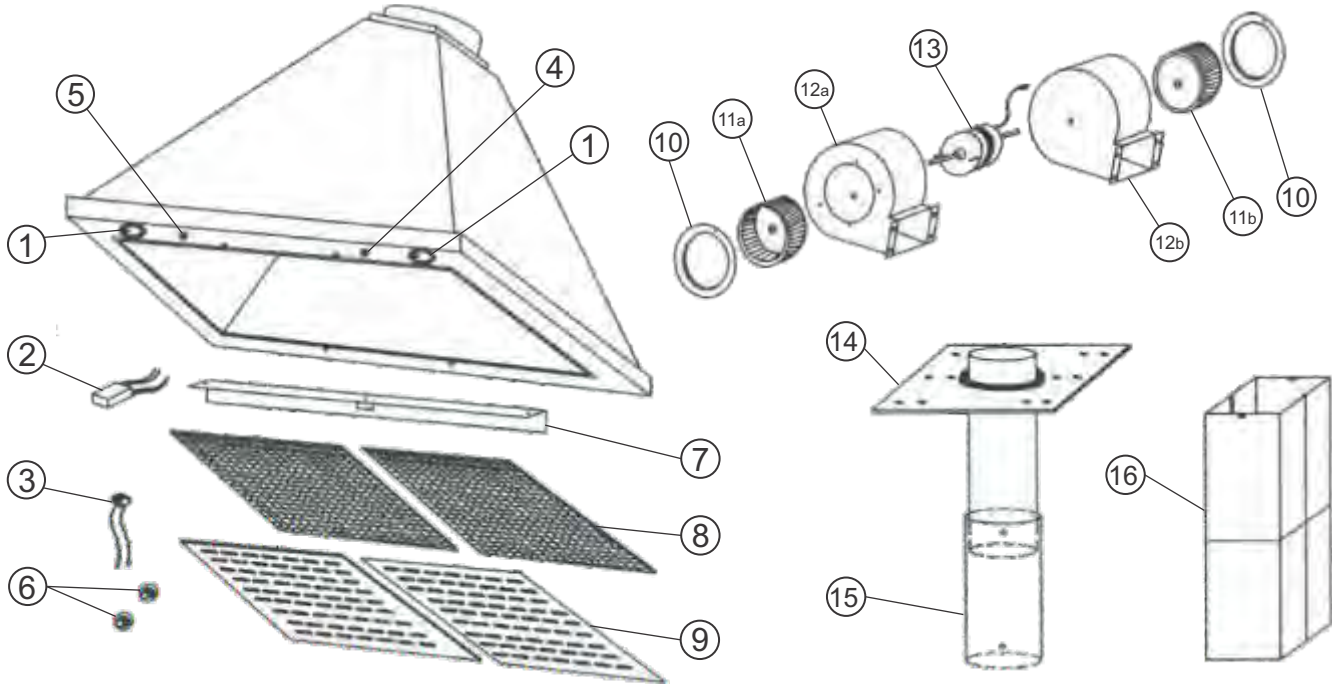
CUSTOM RANGE HOODS (WALL HOODS)

Model	Motor		CFM @ SP											Sones
	RPM	AMPs	0.00	0.05	0.10	0.15	0.20	0.25	0.30	0.35	0.40	0.45	0.50	
CHW-30-300	1500	1.30	301	282	263	243	223	202	181	153	125	98	72	3.0
CHW-30-400	1500	2.40	420	403	386	367	349	326	304	279	255	222	190	3.5





PARTS LIST



REFERENCE	DESCRIPTION	PART NO.	
1	Puck Light (2) - 12V, 20W	014005	
2	Transformer for Puck Light - 12V, 20W	014017	
3	Receptacle	014001	
4	Fan Motor Speed Control	014003	
5	Light ON/OFF Switch	014010	
6	Knob (2)	014015	
7	Electrical Cover	010205	
8	Aluminum Mesh Grease Filter (2)	4044	
9	Inlet Grille (2)	010203	
10	Inlet Ring (2)	011081	
11a	Blower Wheel (CCW) - 300 CFM	013203	
11b	Blower Wheel (CW) - 300 CFM	013204	
11a	Blower Wheel (CW) - 400 CFM	013223	
11b	Blower Wheel (CCW) - 400 CFM	013224	
12a	Blower Housing (CW) - 300 CFM	010310	
12b	Blower Housing (CCW) - 300 CFM	010311	
12a	Blower Housing (CW) - 400 CFM	010312	
12b	Blower Housing (CCW) - 400 CFM	010313	
13	Motor CHI-36-300	013030	
	Motor CHI-36-400	013058	
14	8" dia. Steel Extension Pipe c/w Steel Support Bracket	010212	
15	8" dia. Steel Extension Pipe	010213	
16	Finishing Duct / Extension Duct	010206	

Reversomatic Manufacturing Ltd.

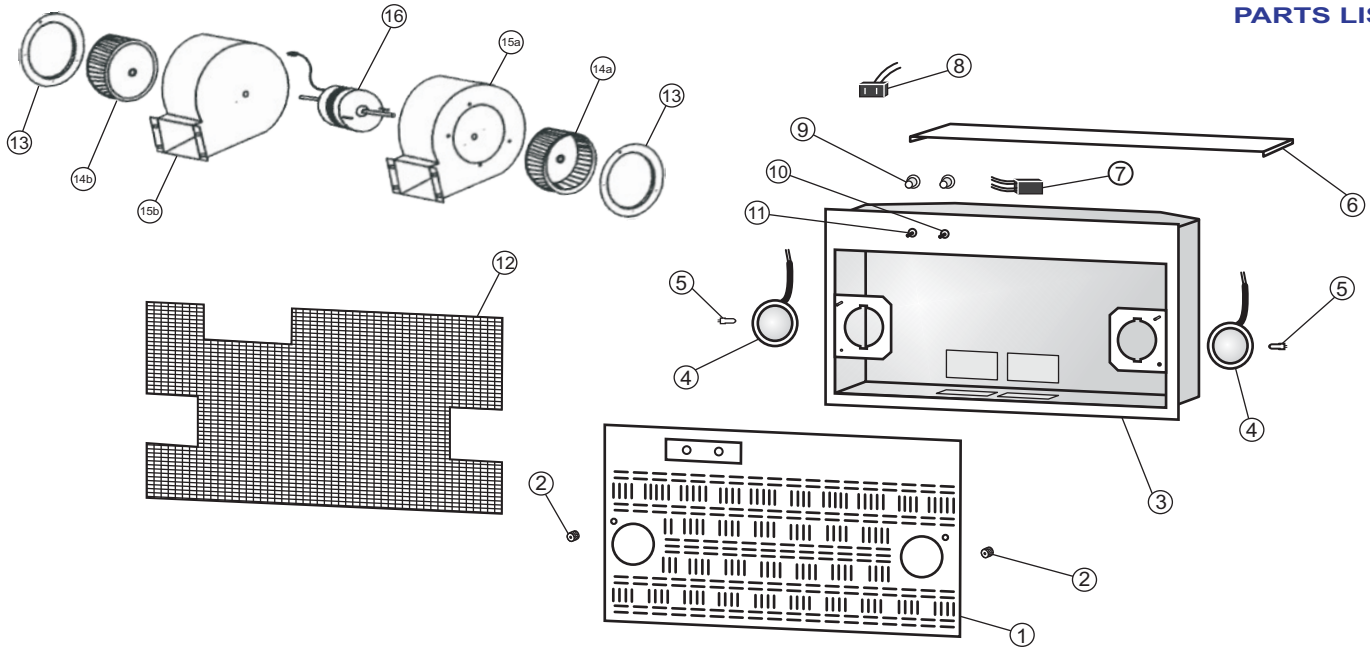
790 Rowntree Dairy Road, Woodbridge, ON Canada L4L 5V3 • Tel: 905-851-6701 • Fax: 905-851-8376
www.reversomatic.com • info@reversomatic.com



EXHAUST FANS FOR CUSTOM RH (INDOOR)

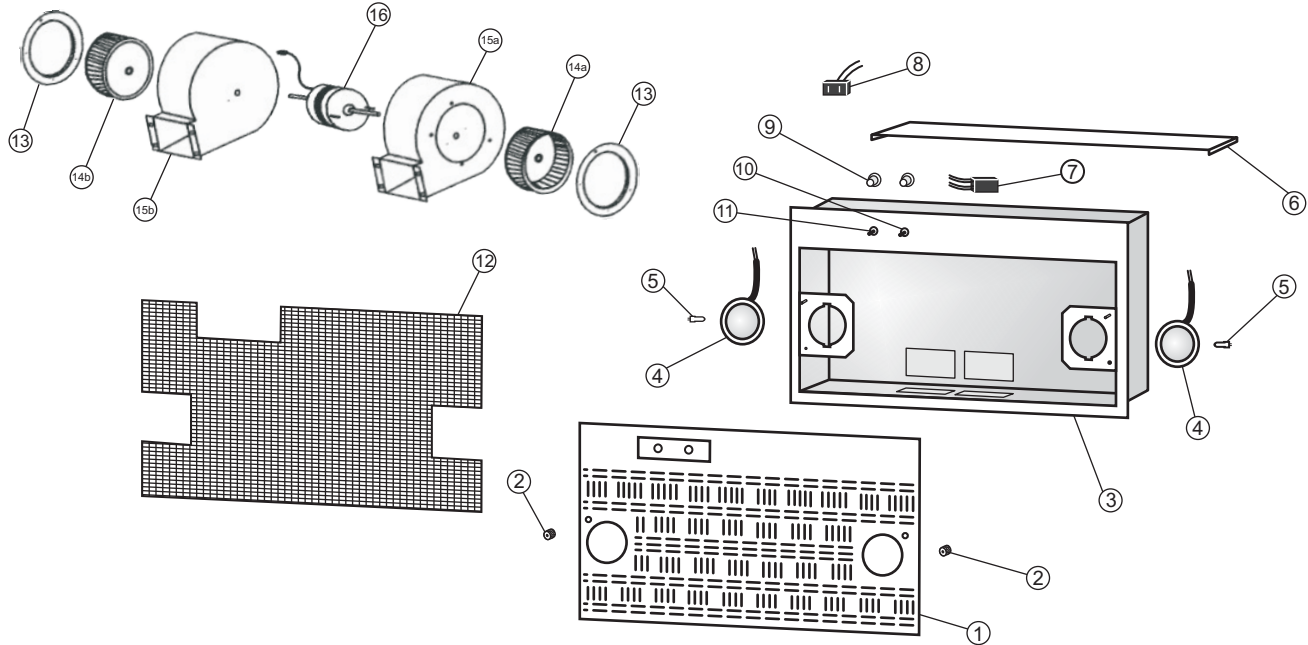
Model	Motor		CFM @ SP											Sones
	RPM	AMPs	0.00	0.05	0.10	0.15	0.20	0.25	0.30	0.35	0.40	0.45	0.50	at grille
PU-300	1500	1.30	301	282	263	242	221	202	182	142	101	87	72	3.0
PU-400	1500	2.40	420	403	386	368	349	327	304	282	259	225	190	3.5
PU-600	1050	2.40	605	570	535	495	455	414	374	348	322	268	214	4.4
PU-700	1050	2.40	710	681	653	618	584	544	505	460	416	329	243	4.8





REFERENCE	DESCRIPTION	PART NO.	
1	Decorative Mounting Trim PU-300/400 Steel <small>Painted (White / Black)</small>	011093	
	Decorative Mounting Trim PU-300/400 Stainless Steel	011094	
2	Knurled Nut	014016	
3	Housing Steel PU-300 & PU-400	011019	
4	Halogen Light Fixture	014030	
5	Halogen Bulb 12V/20W	014031	
6	Electrical Cover - Steel PU-300 & PU-400	011022	
7	Halogen Lamp Electronic Transformer	014032	
8	Knob	014015	
8	Receptacle	014001	
9	Fan Motor Speed Controller	014003	
11	Light ON/OFF Switch	014010	
12	Aluminum Mesh Grease Filter	011029	
13	Inlet Ring	011081	
14a	Blower Wheel PU-300 CCW	013203	
14b	Blower Wheel PU-300 CW	013204	
14a	Blower Wheel PU-400 CW	013223	
14b	Blower Wheel PU-400 CCW	013224	
15a	Blower Housing PU-300 CW	010310	
15b	Blower Housing PU-300 CCW	010311	
15a	Blower Housing PU-400 CW	010312	
15b	Blower Housing PU-400 CCW	010313	
16	Motor PU-300	013030	
	Motor PU-400	013058	

Reversomatic Manufacturing Ltd.



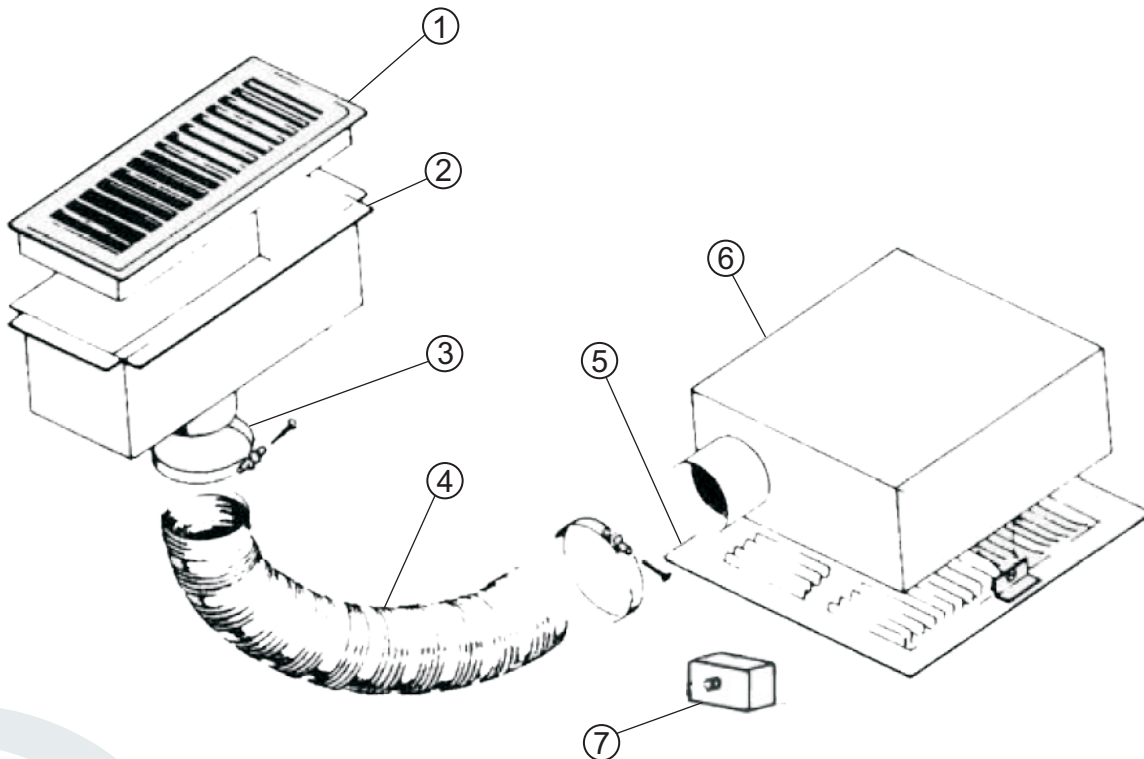
REFERENCE	DESCRIPTION	PART NO.	
1	Decorative Mounting Trim PU-600/700 Steel <small>Painted (White / Black)</small>	011095	
	Decorative Mounting Trim PU-600/700 <small>Stainless Steel</small>	011096	
2	Knurled Nut	014016	
3	Housing Steel PU-600 & PU-700	011021	
4	Halogen Light Fixture	014030	
5	Halogen Bulb 12V/20W	014031	
6	Electrical Cover - Steel PU-600 & PU-700	011024	
7	Halogen Lamp Electronic Transformer	014032	
8	Receptacle	014001	
9	Knob	014015	
10	Fan Motor Speed Controller	014003	
11	Light ON/OFF Switch	014010	
12	Aluminum Mesh Grease Filter	011030	
13	Inlet Ring	011082	
14a	Blower Wheel PU-600 CCW	013217	
14b	Blower Wheel PU-600 CW	013218	
14a	Blower Wheel PU-700 CCW	013219	
14b	Blower Wheel PU-700 CW	013220	
15a	Blower Housing PU-600/700 CW	011485	
15b	Blower Housing PU-600/700 CCW	011495	
16	Motor PU-600/700	013049	



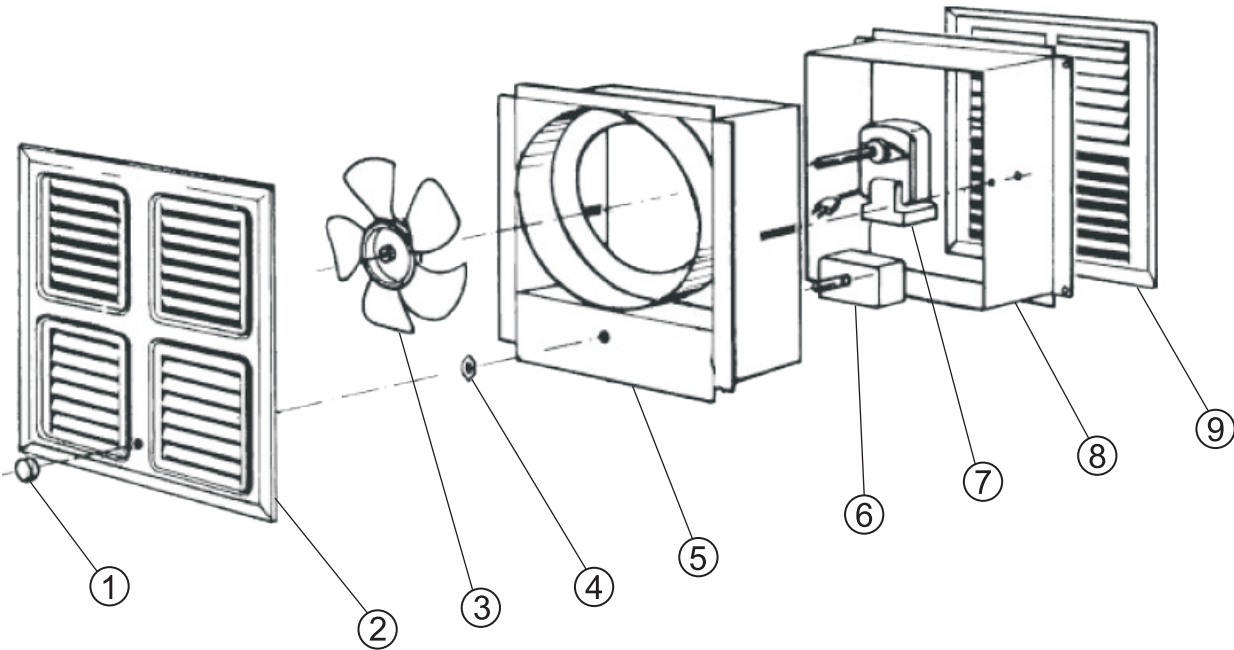
TRANSFER FANS

Model	Motor		CFM @ SP											Sones
	RPM	AMPS	0.00	0.05	0.10	0.15	0.20	0.25	0.30	0.35	0.40	0.45	0.50	at grille
HD 75 (Floor to Floor)	0	0.00	-	-	-	-	-	-	-	-	-	-	-	2.5
HT 145 (Room to Room)	0	0.00	-	-	-	-	-	-	-	-	-	-	-	1.5





REFERENCE	DESCRIPTION	PART NO.	
1	Register Floor Grille	RG0227	
2	Universal Boot 3"	UB0410-03	
3	3" Clamp	014526	
4	3" Flexible Aluminum Pipe	AFP0310	
5	Grille	011361	
6	Complete B-60 Fan	B60	
7	Optional Speed Control SC25	SC25	



REFERENCE	DESCRIPTION	PART NO.	
1	Speed Control Knob	014015	
2	Outlet Grille	014194-O	
3	6 5/6" Plastic Fan Blade	013281	
4	Nut	014016	
5	Fan Housing	010113	
6	Speed Control	SC25	
7	Motor	013005	
8	Telescoping Sleeve	012108	
9	Inlet Grille	014194	



BOOSTER FANS

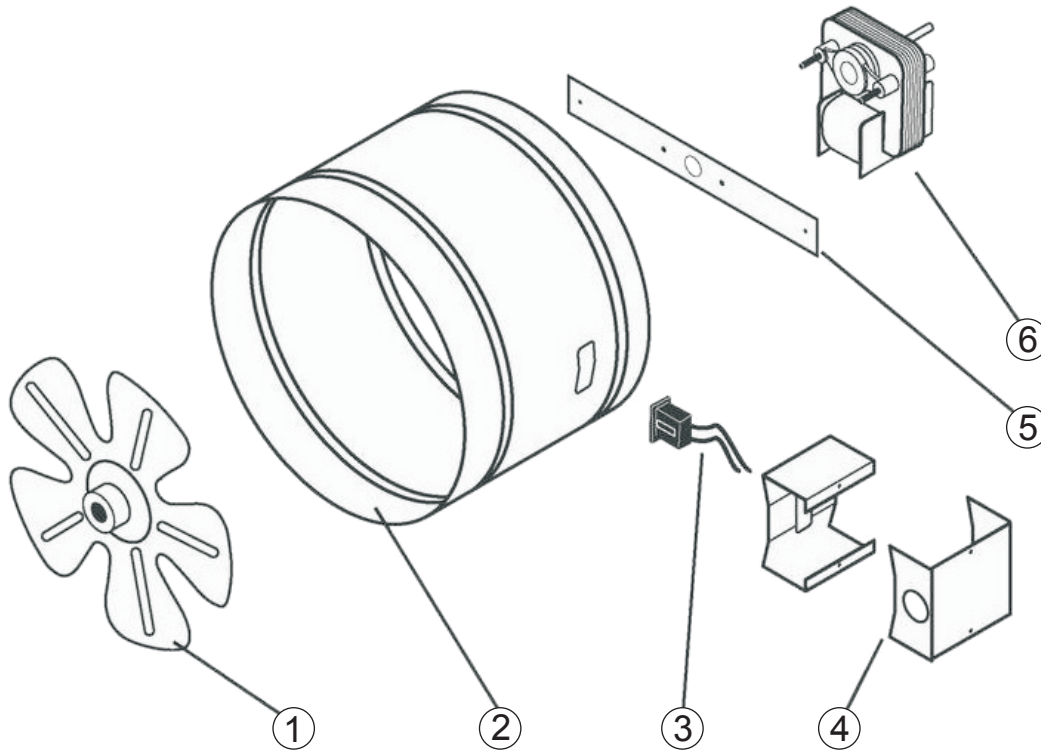
Model	Motor		CFM @ SP											Sones
	RPM	AMPs	0.00	0.05	0.10	0.15	0.20	0.25	0.30	0.35	0.40	0.45	0.50	at grille
BF-150	0	0.00	-	-	-	-	-	-	-	-	-	-	-	2.5
BF-5	0	0.00	60	-	-	-	-	-	-	-	-	-	-	2.0
BF-6	0	0.00	90	-	-	-	-	-	-	-	-	-	-	2.0
BF-7	0	0.00	120	-	-	-	-	-	-	-	-	-	-	2.5
BF-8	0	0.00	160	-	-	-	-	-	-	-	-	-	-	2.5
BF-9	0	0.00	220	-	-	-	-	-	-	-	-	-	-	2.5



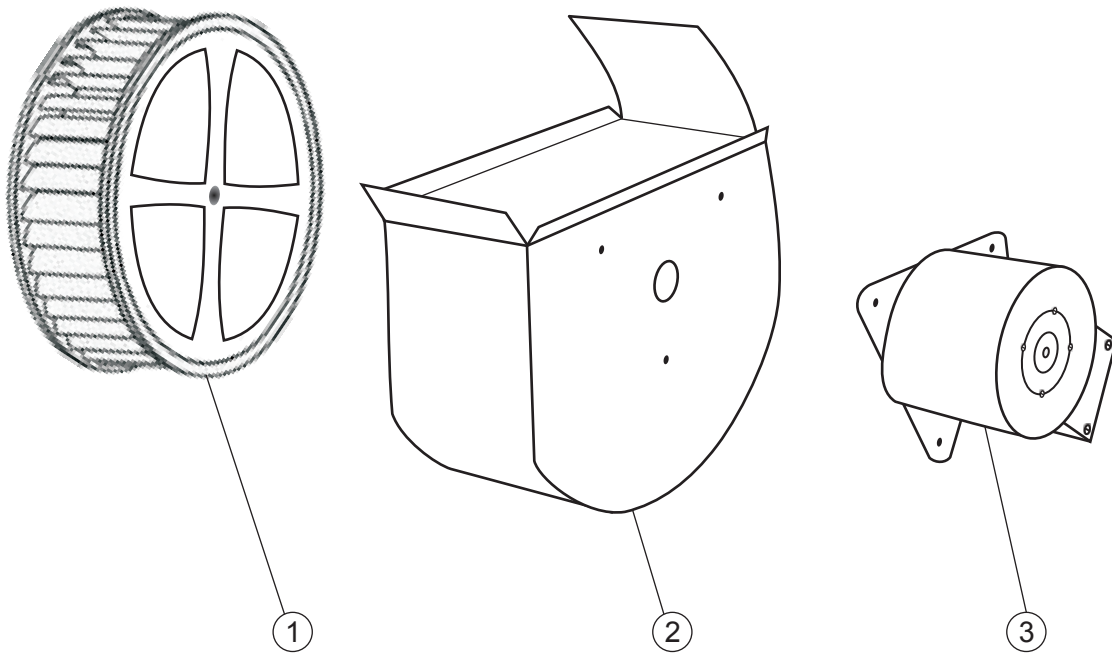


BF-5, BF-6, BF-7, BF-8, BF-9

PARTS LIST



REFERENCE	DESCRIPTION	PART NO.	
1	Blade BF-5 and BF-6	013261	
	Blade BF-7	013262	
	Blade BF-8	013263	
	Blade BF-9	013264	
2	Housing BF-5 and BF-6	010132	
	Housing BF-7	010133	
	Housing BF-8	010134	
	Housing BF-9	010135	
3	Receptacle	014001	
4	Electrical Box Cover	011121	
5	Bracket BF-5 and BF-6	015236	
	Bracket BF-7	015237	
	Bracket BF-8	015238	
	Bracket BF-9	015239	
6	Motor	013004	



REFERENCE	DESCRIPTION	PART NO.	
1	Blower Wheel	013211	
2	Housing	010120	
3	Motor	013022	

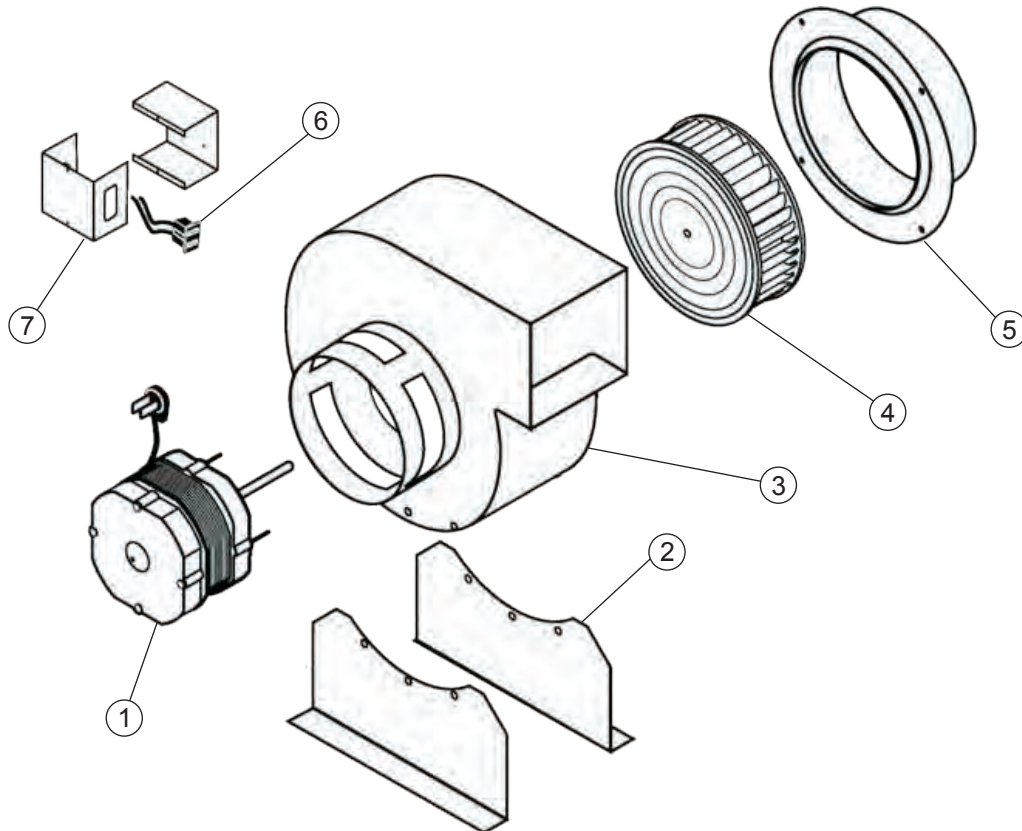


REVERSOMATIC
MANUFACTURING LIMITED

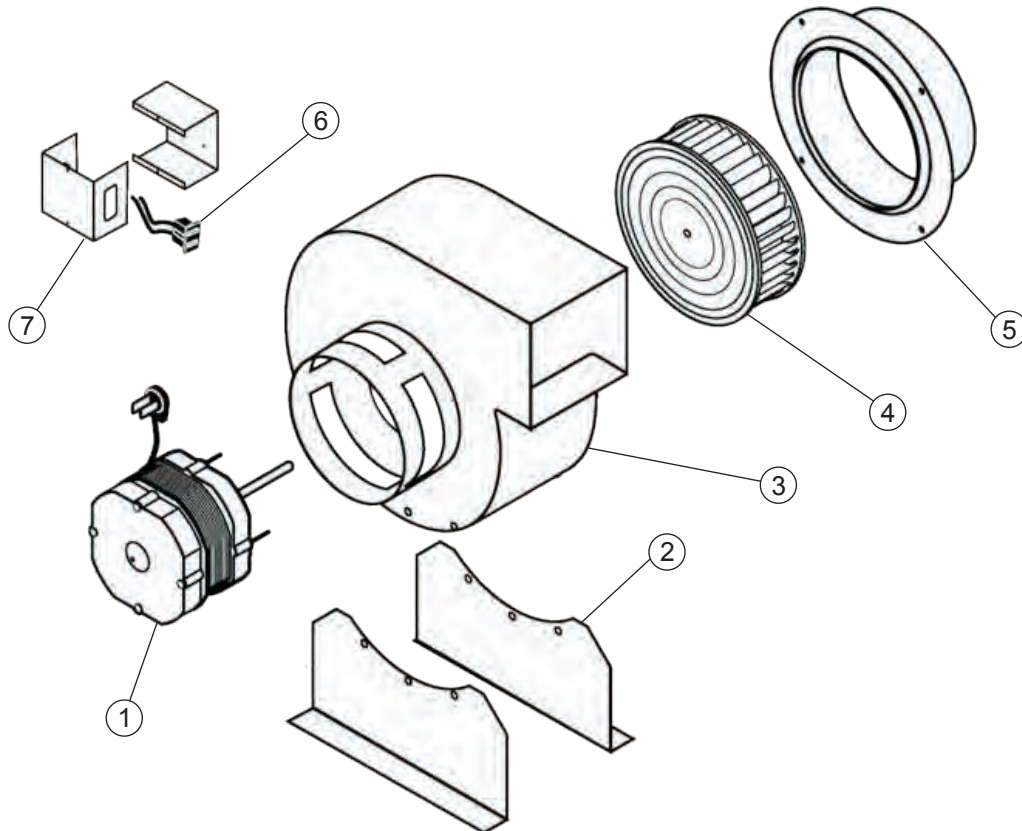
GPB SERIES

(GENERAL PURPOSE BLOWER)





REFERENCE	DESCRIPTION	PART NO.
1	Motor GPB-200	013022
	Motor GPB-250	013040
2	Mounting Bracket GPB-200	011132
	Mounting Bracket GPB-250	011133
3	Housing GPB-200	010147
	Housing GPB-250	010138
4	Blade GPB-200	013208
	Blade GPB-250	013212
5	Inlet GPB-200	010251
	Inlet GPB-250	010252
6	Receptacle	014001
7	Electrical Box	011432



REFERENCE	DESCRIPTION	PART NO.
1	Motor GPB-400	013042
	Motor GPB-450	013062
2	Mounting Bracket GPB-400	011133
	Mounting Bracket GPB-450	011134
3	Housing GPB-400	010146
	Housing GPB-450	010148
4	Blade GPB-400	013216
	Blade GPB-450	013222
5	Inlet GPB-400	010252
	Inlet GPB-450	010253
6	Receptacle	014001
7	Electrical Box	011432