



Specializing High Rise Condominiums

Manufacturing fans since 1972
When quality and performance count

FAN SERIES

- ES** Energy Star Fans
- EB** Low Rise Residential
Bathroom Exhaust Fans
- XL** High Rise / Low Rise Residential
and Commercial
*Kitchen, Bathroom and Laundry Dryer
Exhaust Fans*
- CF** High Rise / Low Rise Residential,
Commercial and Industrial
*Kitchen, Bathroom, Office and Board Room
Exhaust Fans*
- FFL** Flat Fluorescent Light-Fans
With or without Fire Fighter Ceiling Damper
- FF** Fire Radiation Damper
- BF** Booster Fans
- RH** Residential Range Hoods
- QCF** Bathroom, Office and
Board Room
- HT** Residential Room-to-Room Transfer Fan
- GPB** General Purpose Blower

- A** Commercial / Industrial
*Direct Drive Wall Exhaust Fans
for General Ventilation and
Removal of Fumes*
- BI** Backward Inclined Centrifugal Fans
- BE** Commercial / Industrial
Enclosed Belt Driven Wall Exhaust Fan
- UP** UP Blast Exhaust Fans
*For Underground Garages, Warehouse,
Greenhouse Public Buildings etc.*
- HD** Fans for Room-to-Room and
Floor-to-Floor
- AF** Cast Aluminum Pressure Blower
- RDD** Commercial / Industrial
*Direct Drive High Performance
Tube Axial Fan 800 CFM to 44,000 CFM*
- RBD** Commercial / Industrial
*Belt Drive High Performance
Tube Axial Fan 1,600 CFM to 60,000 CFM*
- P** Pressurization Fan

Accessories



CALIFORNIA ENERGY
COMMISSION
TITLE 20
COMPLIANCE



REVERSOMATIC
MANUFACTURING LIMITED

Specializing High Rise Condominiums

APPROVALS & RATINGS

Reversomatic Mfg. Ltd. manufactures fans with CSA, UL, HVI, Energy Star, AMCA and California Energy Commission approvals as herein noted in catalogue.

Ratings of Reversomatic fans are published in this catalogue for each series featured.

These ratings are the findings of AMCA, HVI, our own laboratory and other independent sources and are warranted as true and correct.

Effects of wind velocity, altitude, tunnel and condominiums were considered for the design of these fans.

Reversomatic fans are equipped with efficient, quiet running, trouble free motors and fan blades designed especially for each series.

All components are accessible for easy maintenance.

ES, EB, CF, & XL fans are supplied two ways:

1. Unimatic:

Individually packaged, completely assembled.

2. Economatic:

(a) Housing packaged 4 or 8 per carton.

(b) Motor, Blade and Grille correspondingly packaged to be installed on completion of job.

***We Manufacture
Custom Design Fans!***

WARRANTY

REVERSOMATIC MANUFACTURING LIMITED WARRANTS IT WILL PROVIDE A REPLACEMENT PART OF ITS FANS FOUND TO BE DEFECTIVE IN MATERIAL OR WORKMANSHIP FOR A PERIOD OF ONE YEAR FOR COMMERCIAL FANS AND 2 YEARS FOR RESIDENTIAL FANS FROM DATE OF PURCHASE FOR FIRST USER, F.O.B. OUR PLANT. ECONOMY FANS ONE YEAR.

NOTE: THIS WARRANTY DOES NOT APPLY TO LABOR COSTS INVOLVED IN REPLACEMENT OR REINSTALLATION, DIAGNOSTIC SERVICE, CLEANING AND ADJUSTMENT OR TRANSPORTATION. FURTHERMORE WARRANTY IS ONLY APPLICABLE WHEN REVERSOMATIC REPLACEMENT PARTS AND ACCESSORIES ARE USED.

Use Reversomatic Fans When Quality And Performance Come First!

Reversomatic Manufacturing Ltd.

790 Rowntree Dairy Road, Woodbridge, ON, L4L 5V3, Canada • T: 905.851.6701 • F: 905.851.8376

3700 Galt Ocean Drive, Suite 1015, Fort Lauderdale, Florida, 33308, USA • T: 954.630.8003

Toll Free: 1.866.890.6457 • 1.800.810.3473

www.reversomatic.com • info@reversomatic.com

AIR MOVING EQUIPMENT TERMINOLOGY

AMCA (Air Movement and Control Association)

A nationally recognized association which establishes standards, test and certifies the performance of air moving devices.

Btu (British Thermal Unit)

The amount of energy or heat required to raise the temperature of one pound of water one degree Fahrenheit.

BtuH (One Btu per hour)**CFM (Cubic Feet per Minute)**

A measure of the volume flow rate, or air moving capability of an air moving device. The volume of air moved per minute.

dB (Decibel)

A measure of the sound produced by an air moving device.

dB(A)

Sound level reading on the A-weighted scale of a sound meter. This A-weighting adjusts response of the meter to approximate that of the human ear.

Free Air Delivery

The conditions existing when there are no effective restrictions to air flow (no static pressure) at the inlet outlet of an air moving device.

HP (Horsepower)

the power required to drive an air moving device. HP required varies with system conditions - See Basic Laws Below.

HVI (Home Ventilation Institute)**Plenum Chamber**

An air compartment maintained under pressure to serve one or more distributing ducts.

RPM (Revolutions Per Minute)

The speed at which the shaft of an air moving device is rotating.

SP (Static Pressure)

A measure of the resistance to movement of forced air through a system or installation caused by ductwork, inlets, louvers, etc. Measured in inches of water gage (W.G.); the height, in inches, to which the pressure lift a column of water. For a given system, static pressure varies as the square of the flow rate. Thus, if flow rate is doubled, system resistance or static pressure is increased four times.

Venturi

A ring or panel, surrounding the blades on a propeller type fan, which improves fan performance.

BASIC LAWS FOR AIR MOVING EQUIPMENT

The performance of all fans and blowers is governed by certain rules of physics known as Fan Laws. CFM, RPM, SP and HP are all related to each other in a known manner and when one changes, all others change. For example, when CFM changed, RPM, SP and HP will also change. CFM is the variable most commonly changed in an air moving system, therefore the following example of fan law application is based on a change from an existing CFM to a new CFM.

1. To determine performance at a new CFM, first calculate the ratio of the new CFM to existing CFM (New CFM divided by existing CFM):

$$\text{Ratio} = \frac{\text{CFM new}}{\text{CFM existing}}$$

2. To determine new RPM, multiply ratio of step No. 1 times existing RPM:

$$\text{RPM new} = \frac{\text{CFM new}}{\text{CFM existing}} \times \text{RPM existing}$$

3. To determine new SP, multiply ratio of step No. 1 times itself, times existing SP:

$$\text{SP new} = \left(\frac{\text{CFM new}}{\text{CFM existing}} \right)^2 \times \text{SP existing}$$

4. To determine new HP required, multiply ratio of step No. 1 times itself twice, and then times existing HP:

$$\text{HP new} = \left(\frac{\text{CFM new}}{\text{CFM existing}} \right)^3 \times \text{HP existing}$$



SAMPLE CALCULATIONS

Existing conditions are 5000 CFM, 1000 RPM, 0.5" SP, 0.5 HP motor.
New CFM desired is 6000.

$$\text{Ratio} = \frac{6000}{5000} = 1.2$$

2. Calculate new RPM:

$$\frac{6000}{5000} = 1.2, \text{ therefore new RPM} = 1000 \times 1.2 = 1200 \text{ RPM}$$

3. Calculate new SP:

$$\left(\frac{6000}{5000}\right)^2 = (1.2)^2 = 1.44, \text{ therefore new SP} = 0.5 \times 1.44 = 0.72" \text{ SP}$$

4. Calculate new HP:

$$\left(\frac{6000}{5000}\right)^3 = (1.2)^3 = 1.73, \text{ therefore new HP} = 0.5 \times 1.73 = 0.86" \text{ HP}$$

New conditions: 6000 CFM (up 20%), 1200 RPM (up 20%), 0.72" SP (up 44%), 0.86 HP (up 73%).

CONVERSION TABLE FOR ENGLISH TO METRIC UNITS

Category	English Unit	Metric Unit	Conversion Factor (†)
Volume Flow	CFM	Cubic Meter Per Hour, M / Hr.	1.6990
Pressure	Inches, W.G. (*)	Milimeter of W.G. , MM W.G.	25.400

(*) Water Gage. (†) Multiply English unit by this factor to obtain Metric Unit.

AIR CHANGES RECOMMENDED FOR VARIOUS AREAS

To determine the fan capacity required by using the table below, calculate the total cubic contents of the area to be ventilated in cubic feet and divide by the rate of air change. Result will be cubic feet per minute, corresponding to fan ratings. One or more fans may be used to obtain desired cubic feet per minute.

Ventilated	Minutes Per Change	Ventilated	Minutes Per Change
Assembly Halls	3-10	Factories	4-10
Bakeries	1-3	Foundries	2-8
Boiler Rooms	1-3	Garages	5-10
Cafeterias	3-5	Kitchens	1-5
Churches	2-4	Laundries	1-5
Clubs	5-7	Libraries	2-4
Dormitories	5-8	Locker Rooms	4-15
Engine Rooms	2-5	Mills	5-8
Offices	5-12	Shops	5-10
Packing Houses	3-5	Stores	5-10
Plating Rooms	1-5	Theaters	3-8
Printing Shops	5-10	Toilets	2-5
Restaurants	3-10	Transformer Rooms	1-5
Rest Rooms	2-10	Warehouses	5-10
Sales Rooms	2-10		
School	5-10		

Reversomatic Manufacturing Ltd.

790 Rowntree Dairy Road, Woodbridge, ON Canada L4L 5V3 • Tel: 905-851-6701 • Fax: 905-851-8376
www.reversomatic.com • info@reversomatic.com



ENERGY STAR FANS



Reversomatic Manufacturing Ltd.

790 Rowntree Dairy Road, Woodbridge, ON Canada L4L 5V3 • Tel: 905-851-6701 • Fax: 905-851-8376
www.reversomatic.com • info@reversomatic.com



ULTRA SUPER QUIET EXHAUST FAN

The QCF-95 fan is designed for high performance and quiet operation. This fan is equipped with specially designed mounting slots that allow for easy installation on concrete ceilings or wooden joists. The QCF-95 is constructed with corrosion resistant, heavy gauge satin coat steel. The fan is suitable for installation over bath tub or shower stall with GFCI protected branch circuit. It also meets Washington State Ventilation and Indoor Air Quality Code.



Plastic Backdraft Damper

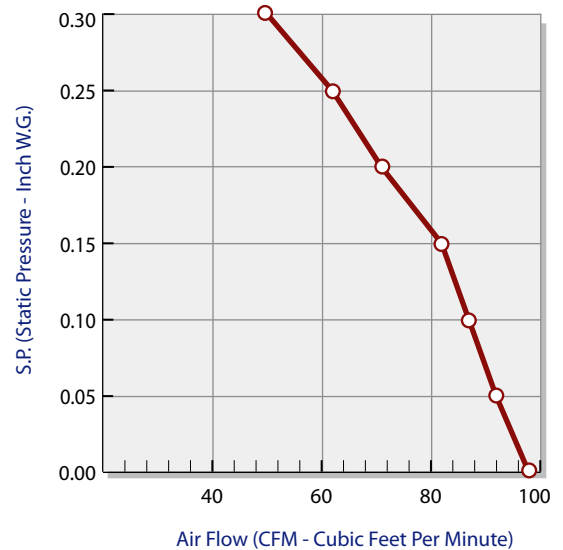
Off White Aluminum Grille



High Impact Styrene Grille

Off White Louvered Grille

QCF-95 FAN DATA



ACCESSORIES

Standard:

- White aluminum grille/louvered grille
- Mounting brackets
- Plastic backdraft damper or metal collar with neoprene damper

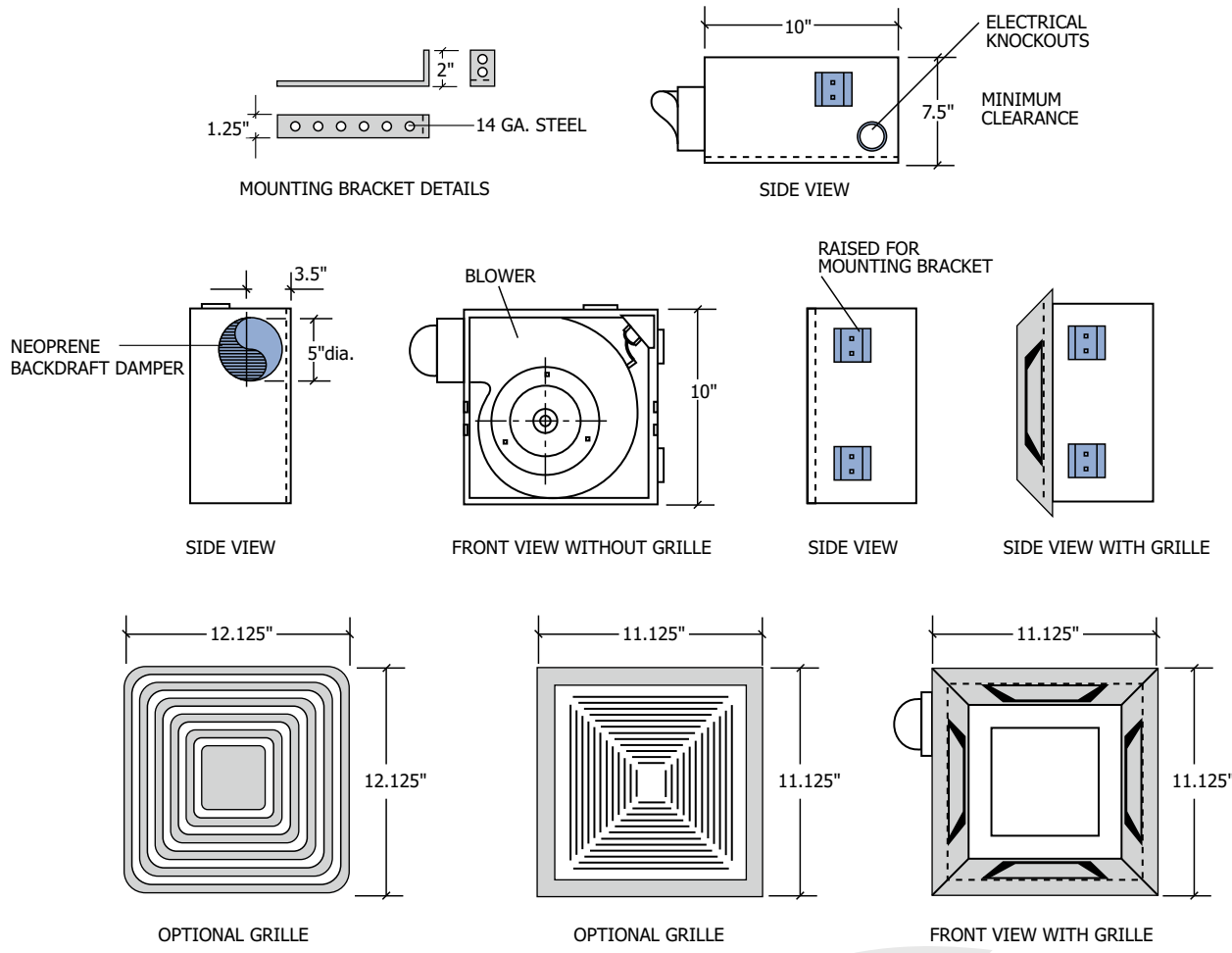
Optional:

- Variable speed control
- Aluminum backdraft damper
- White styrene grille



Reversomatic Manufacturing Ltd.

790 Rowntree Dairy Road, Woodbridge, ON Canada L4L 5V3 • Tel: 905-851-6701 • Fax: 905-851-8376
www.reversomatic.com • info@reversomatic.com



HVI CERTIFIED RATINGS

MODEL	SONES	CFM @ 0.10" S.P.
QCF-95	1.5	80

FAN DATA

MODEL	MOTOR 120 VAC 60 Hz		CUBIC FEET PER MINUTE							
	RPM	AMPS	S.P.	0.00	0.05	0.10	0.15	0.20	0.25	0.30
QCF-95	1050	0.35	CFM	98	92	87	82	71	62	31

RPM (Revolution Per Minute) shown is nominal and performance is based on actual speed of test. Unit was tested with inlet grille, backdraft damper and outlet duct.

Contractor:			QCF-95		
Architect:	Job:		Date	Supersedes	Drawing No.
Engineer:	Date Submitted:				



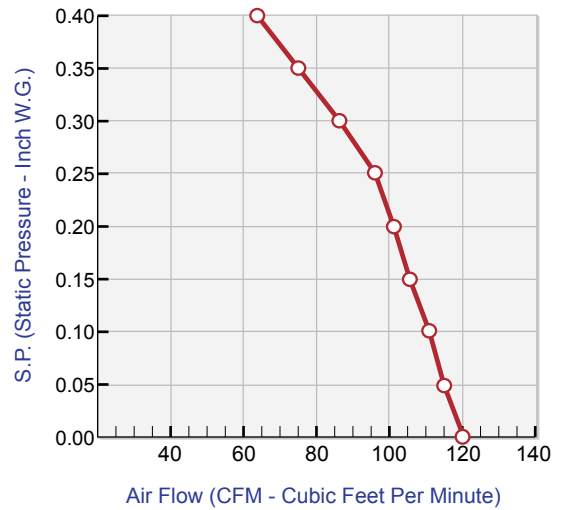
QCF-110ES

April 2010

SUPER QUIET EXHAUST FAN

The QCF-110ES fan is designed for high performance and quiet operation. This fan is equipped with specially designed mounting slots that allow for easy installation on concrete ceilings or wooden joists. The QCF-110ES is constructed with corrosion resistant, heavy gauge satin coat steel. This fan is suitable for installation over bath tub or shower stall with GFCI protected branch circuit. The fan is certified by California Energy Commission in accordance with California Law - Title 20. It also meets Washington State Ventilation and Indoor Air Quality Code.

QCF-110ES FAN DATA



Plastic Backdraft Damper

White High Impact Styrene Grille

Off White Aluminum Grille

ACCESSORIES

Standard:

- Insulated housing
- Metal collar with neoprene damper
- Mounting brackets
- Aluminum or styrene grille

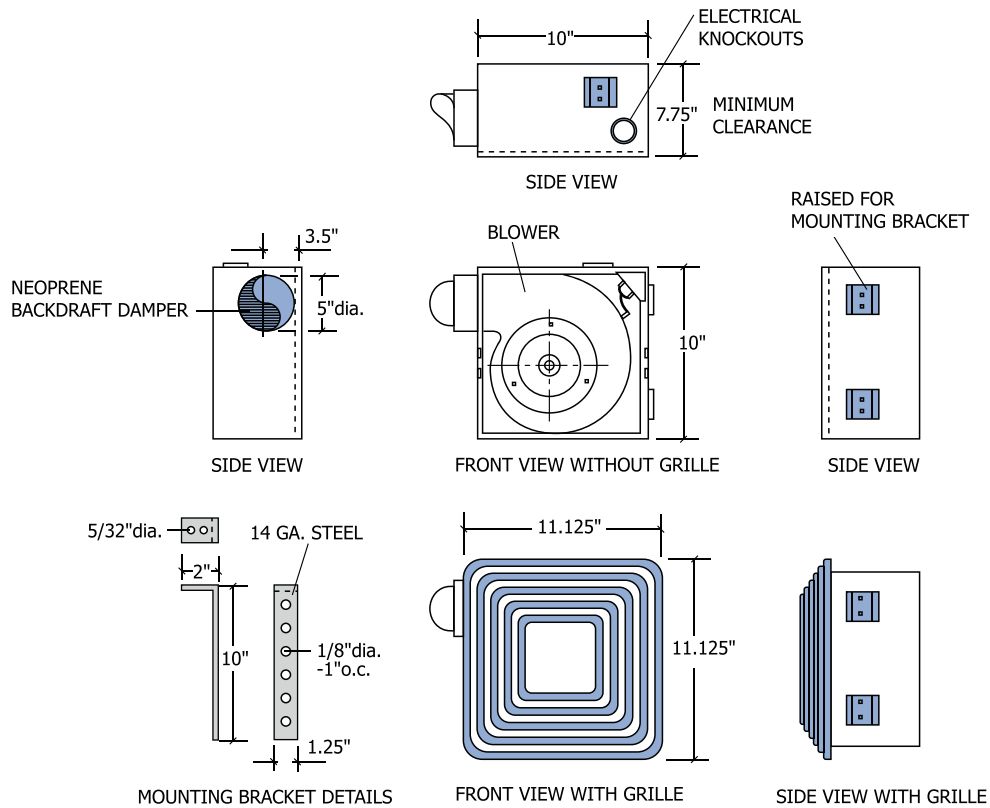
Optional:

- Variable speed control
- Aluminum backdraft damper
- Plastic backdraft damper



Reversomatic Manufacturing Ltd.

790 Rowntree Dairy Road, Woodbridge, ON Canada L4L 5V3 • Tel: 905-851-6701 • Fax: 905-851-8376
www.reversomatic.com • info@reversomatic.com



HVI CERTIFIED RATINGS

MODEL	SONES	CFM @ 0.10" S.P.
QCF-110ES	1.2	110

FAN DATA

MODEL	MOTOR 120 VAC 60 Hz			CUBIC FEET PER MINUTE								
	RPM	AMPS	WATTS	S.P.	0.00	0.05	0.10	0.15	0.20	0.25	0.30	0.40
QCF-110ES	1200	0.3	34	CFM	120	115	111	106	101	96	87	63

RPM (Revolution Per Minute) shown is nominal and performance is based on actual speed of test. Unit was tested with inlet grille, backdraft damper and outlet duct.

Contractor:		QCF-110ES		
Architect:	Job:	Date	Supersedes	Drawing No.
Engineer:	Date Submitted:			

Reversomatic Manufacturing Ltd.

790 Rowntree Dairy Road, Woodbridge, ON Canada L4L 5V3 • Tel: 905-851-6701 • Fax: 905-851-8376
www.reversomatic.com • info@reversomatic.com



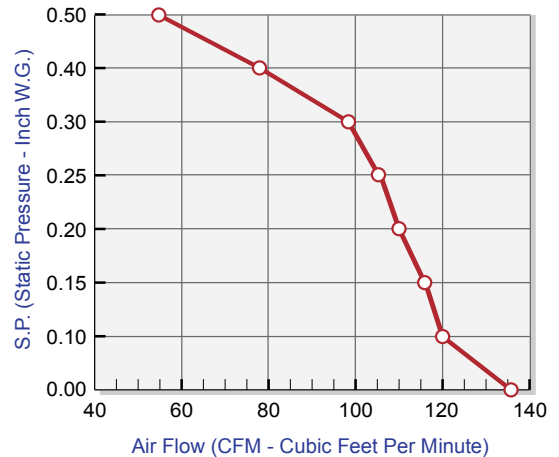
QCF-130ES

June 2010

SUPER QUIET EXHAUST FAN

The QCF-130ES fan is designed for high performance and quiet operation. This fan is equipped with specially designed mounting slots that allow for easy installation on concrete ceilings or wooden joists. The QCF-130ES is constructed with corrosion resistant, heavy gauge satin coat steel. This fan is suitable for installation over bath tub or shower stall with GFCI protected branch circuit. The fan is certified by California Energy Commission in accordance with California Law - Title 20. It also meets Washington State Ventilation and Indoor Air Quality Code.

QCF-130ES FAN DATA



Plastic Backdraft Damper

White High Impact Styrene Grille

Off White Aluminum Grille

ACCESSORIES

Standard

- Insulated housing
- Metal collar with neoprene damper
- Mounting brackets
- Aluminum or White High Impact Styrene Grille

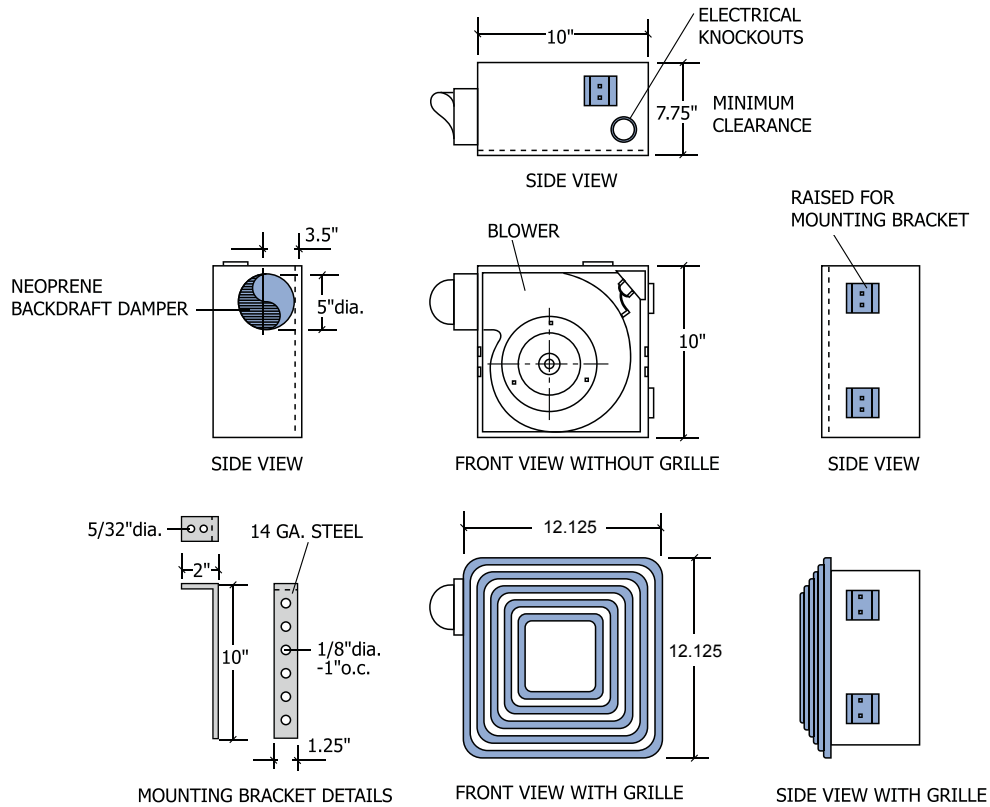
Optional:

- Variable speed control
- Aluminum backdraft damper
- Plastic backdraft damper
- Grille with Motion Sensor



Reversomatic Manufacturing Ltd.

790 Rowntree Dairy Road, Woodbridge, ON Canada L4L 5V3 • Tel: 905-851-6701 • Fax: 905-851-8376
www.reversomatic.com • info@reversomatic.com



HVI CERTIFIED RATINGS

MODEL	SONES	CFM @ 0.10" S.P.
QCF-130ES	1.3	120

FAN DATA

MODEL	MOTOR 120 VAC 60 Hz			CUBIC FEET PER MINUTE									
	RPM	AMPS	WATTS	S.P.	0.00	0.05	0.10	0.15	0.20	0.25	0.30	0.40	0.50
QCF-130ES	1010	0.31	36	CFM	136	128	120	116	110	105	98	79	55

RPM (Revolution Per Minute) shown is nominal and performance is based on actual speed of test. Unit was tested with inlet grille, backdraft damper and outlet duct.

Contractor:		QCF-130ES		
Architect:	Job:	Date	Supersedes	Drawing No.
Engineer:	Date Submitted:			

Reversomatic Manufacturing Ltd.

790 Rowntree Dairy Road, Woodbridge, ON Canada L4L 5V3 • Tel: 905-851-6701 • Fax: 905-851-8376
www.reversomatic.com • info@reversomatic.com



QK-130ES, QK-150ES

JUNE 2010

SUPER QUIET BATHROOM EXHAUST FANS

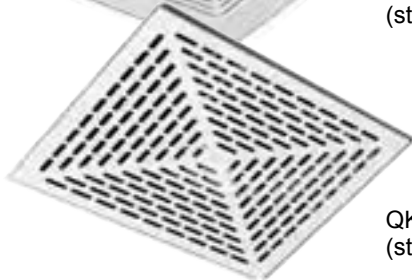
Our super quiet exhaust fans the QK-130ES and the QK-150ES are specially designed for bathroom exhaust. The QK-150ES fan is ideal for applications where you require high performance and low noise levels. Fans are available with mounting brackets. The both fans are certified by California Energy Commission in accordance with California Law - Title 20. They also meet Washington State Ventilation and Indoor Air Quality Code.



Hi-Impact Polystyrene Collar

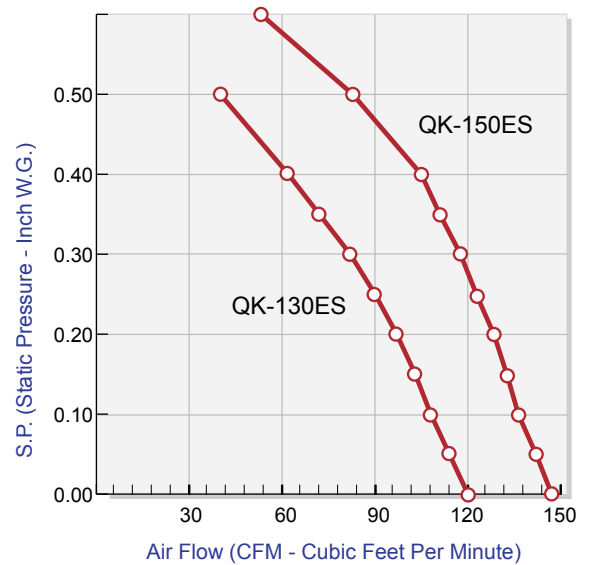


QK-130ES Grille (standard)



QK-150ES Grille (standard)

QK-130ES & QK-150ES FAN DATA



ACCESSORIES

Standard:

- Off white grille
- Mounting brackets
- Metal collar with neoprene damper

Optional:

- Variable speed control
- Aluminum backdraft damper
- Hi-Impact Polystyrene Collar
- Stamped aluminum louvered grille
- Baffle
- Inline transition
- Balance box



Optional Grille for QK-130ES (11 1/4" x 11 1/4") & QK-150ES (13" x 13")



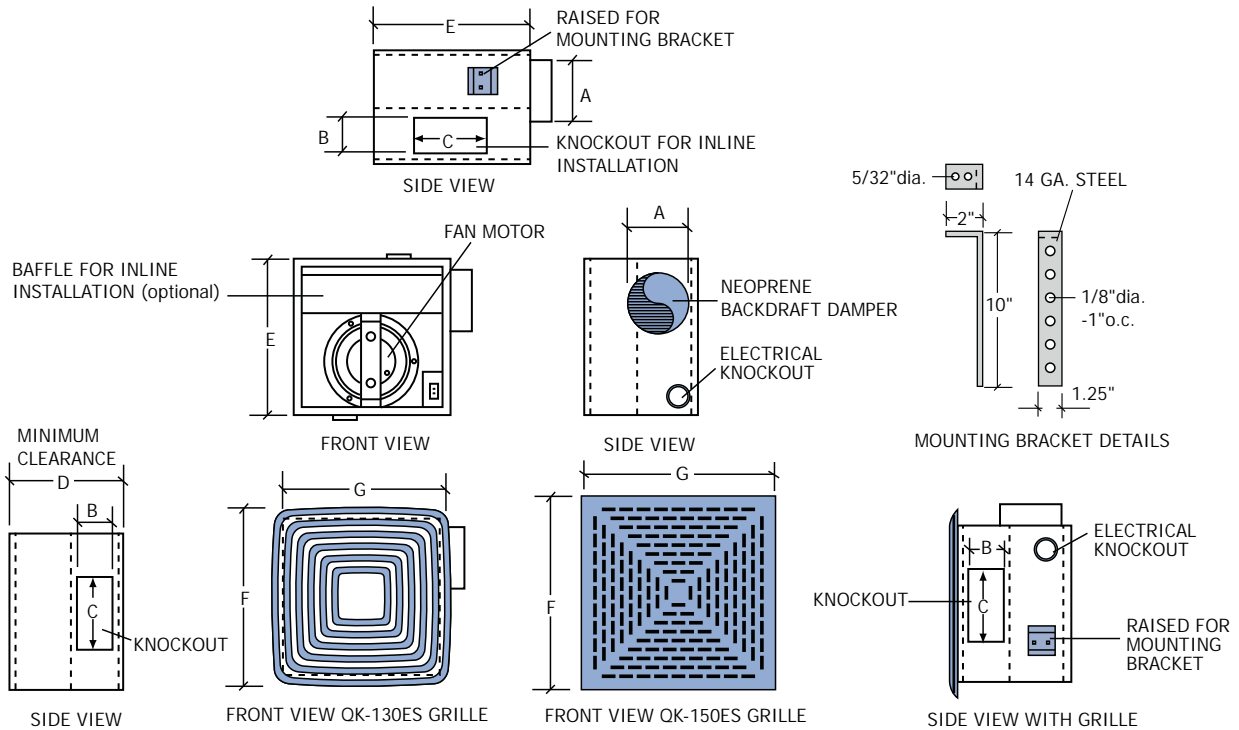
Optional Grille for QK-150ES only (13" x 13")



Reversomatic Manufacturing Ltd.

790 Rowntree Dairy Road, Woodbridge, ON Canada L4L 5V3 • Tel: 905-851-6701 • Fax: 905-851-8376
www.reversomatic.com • info@reversomatic.com

QK-130ES, QK-150ES



HVI CERTIFIED RATING

MODEL	SONES	CFM @ 0.10" S.P.
QK-130ES	1.5	100
QK-150ES	1.0	130

DIMENSION DATA

FAN	A	B	C	D	E	F	G
QK-130ES	5	2	5	7 1/2	10	12 1/8	12 1/8
QK-150ES	6	2 1/2	5 1/8	8 1/8	12	13	13

FAN DATA

All dimensions are shown in inches.

MODEL	MOTOR 120 VAC 60 Hz			CUBIC FEET PER MINUTE											
	RPM	AMPS	WATTS	S.P.	0.00	0.05	0.10	0.15	0.20	0.25	0.30	0.35	0.40	0.50	0.60
QK-130ES	1000	0.30	29	CFM	120	114	108	103	97	90	82	72	62	40	-
QK-150ES	800	0.30	39	CFM	148	143	138	134	128	123	118	112	104	82	55

RPM (Revolution Per Minute) shown is nominal and performance is based on actual speed of test. Unit was tested with inlet grille, backdraft damper and outlet duct.

SOUND RATING

Octave Band	1	2	3	4	5	6	7	8
Center Frequency Hz	63	125	250	500	1000	2000	4000	8000
QK-130ES Full-octave Band Sound Pressure Level (dB)	44	51	49	50	46	40	33	27
QK-150ES Full-octave Band Sound Pressure Level (dB)	45	42	46	45	44	35	30	25

Contractor:		<input type="checkbox"/> QK-130ES	<input type="checkbox"/> QK-150ES
Architect:	Job:	Date	Supersedes
Engineer:	Date Submitted:		Drawing No.

Reversomatic Manufacturing Ltd.

790 Rowntree Dairy Road, Woodbridge, ON Canada L4L 5V3 • Tel: 905-851-6701 • Fax: 905-851-8376
www.reversomatic.com • info@reversomatic.com



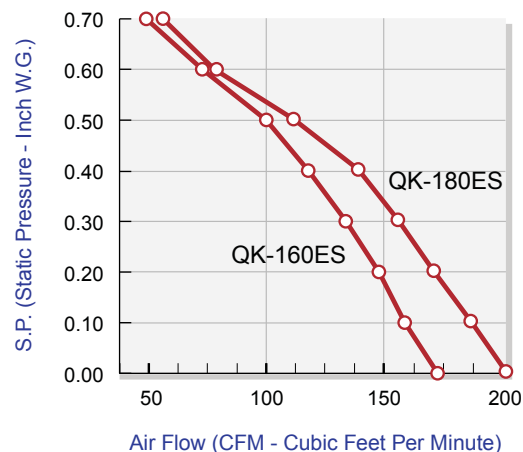
QK-160ES, QK-180ES

March, 2008

SUPER QUIET EXHAUST FANS

The QK-160ES and QK-180ES fans are designed for high performance and super quiet operation. These fans are equipped with uniquely designed mounting slots that allow for easy installation on concrete ceiling or wooden joists. These fans are constructed with corrosion resistant, heavy gauge satin coat steel. The QK-160ES fan is also suitable for kitchen exhaust with a grease filter. The both fans are certified by California Energy Commission in accordance with California Law - Title 20. They also meet Washington State Ventilation and Indoor Air Quality code.

QK-160ES & QK-180ES FAN DATA



Hi-Impact Polystyrene Collar

Standard Slotted White Grille

Optional Grilles:

Louvered Grille (13" x 13")

Aluminum Louvered Grille (13" x 13")

White High Impact Styrene Grille (13.5" x 13.5")

ACCESSORIES

Standard:

- Insulated housing
- Slotted white grille
- Mounting brackets
- Metal collar with neoprene damper

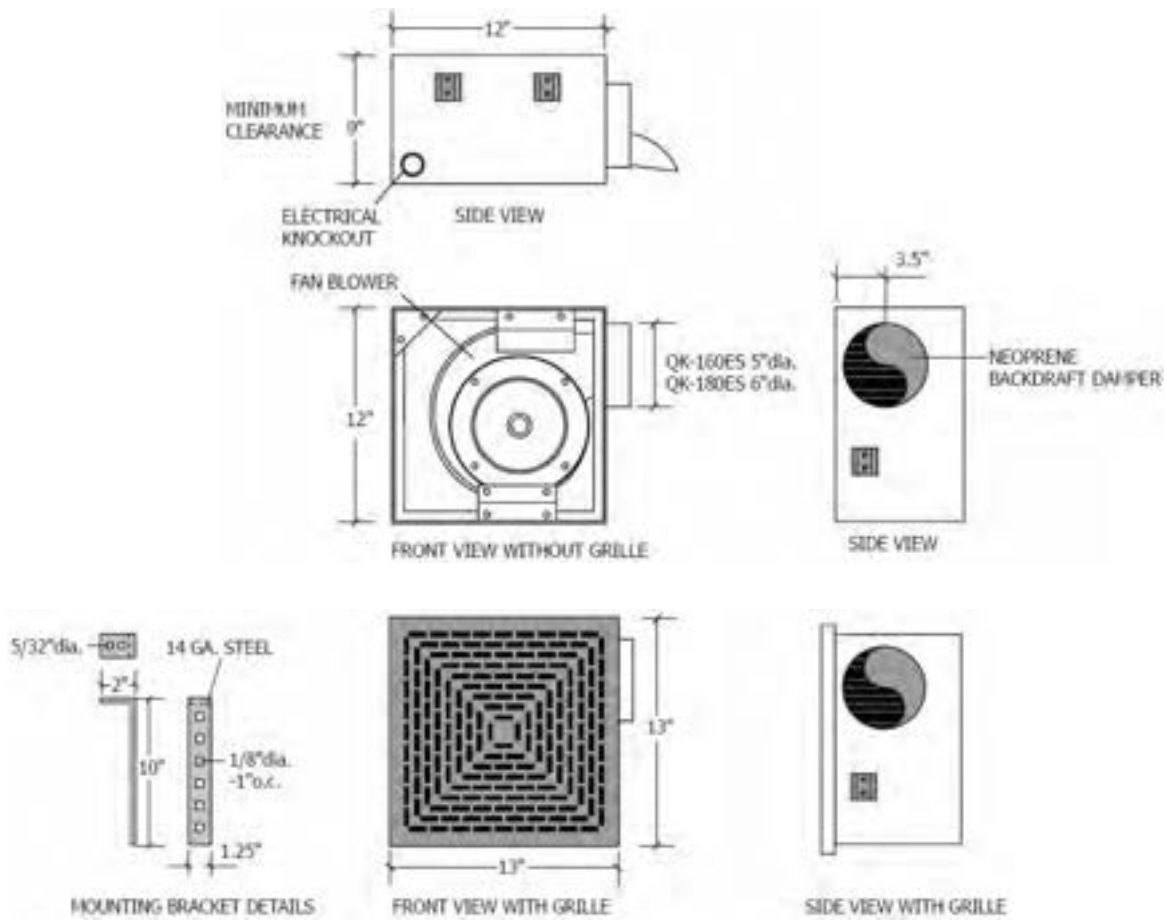
Optional:

- Variable speed control
- Aluminum backdraft damper
- Hi-Impact Polystyrene Collar
- Aluminum mesh grease filter (QK-160ES)



Reversomatic Manufacturing Ltd.

790 Rowntree Dairy Road, Woodbridge, ON Canada L4L 5V3 • Tel: 905-851-6701 • Fax: 905-851-8376
www.reversomatic.com • info@reversomatic.com



HVI CERTIFIED RATING

MODEL	SONES	CFM @ 0.10" S.P.
QK-160ES	0.9	150
QK-180ES	1.5	180

FAN DATA

MODEL	MOTOR 120 VAC 60 Hz			CUBIC FEET PER MINUTE								
	RPM	AMPS	WATTS	S.P.	0.00	0.10	0.20	0.30	0.40	0.50	0.60	0.70
QK-160ES	900	0.30	41	CFM	173	159	148	134	118	100	70	42
QK-180ES	950	0.40	51	CFM	203	188	172	157	140	110	78	50

RPM (Revolution Per Minute) shown is nominal and performance is based on actual speed of test. Unit was tested with inlet grille, backdraft damper and outlet duct.

Contractor:				<input type="checkbox"/> QK-160ES	<input type="checkbox"/> QK-180ES
Architect:	Job:	Date:	Supersedes:	Drawing No.	
Engineer:	Date Submitted:				

Reversomatic Manufacturing Ltd.

790 Rowntree Dairy Road, Woodbridge, ON Canada L4L 5V3 • Tel: 905-851-6701 • Fax: 905-851-8376
www.reversomatic.com • info@reversomatic.com



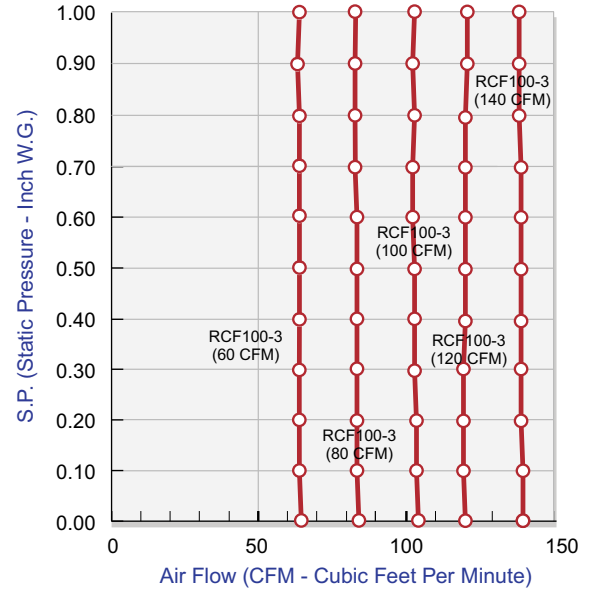
ECM CONSTANT FLOW TECHNOLOGY

RCF100-3

SUPER QUIET MULTI SPEED ECM CONSTANT FLOW BATHROOM EXHAUST FAN

The RCF100-3 fan is designed to deliver constant CFM up to 1" static pressure at any floors on high-rise buildings regardless the chimney effects. This fan is equipped with an Electronically Commutated Motorized DC brush-less motorized Impeller with a built-in (0-10V DC) Potentiometer to provide multiple speed to get desired CFM. It also features with uniquely designed mounting slots for easy installation on concrete ceiling or wooden joints. The fan constructed from corrosion resistant heavy gauge satin coat steel.

RCF100-3 FAN DATA



Plastic Backdraft Damper

Standard:
White High Impact Styrene Grille (13.5" x 13.5")

Aluminum Louvered Grille (13" x 13")

Optional Grilles:
Slotted White Grille

Louvered Grille (13" x 13")

ACCESSORIES

Standard:

- 0-10V DC Potentiometer
- Insulated housing
- Hi-Impact Polystyrene / Aluminum Louvered grille
- Mounting brackets
- Metal collar with neoprene damper / Plastic backdraft damper

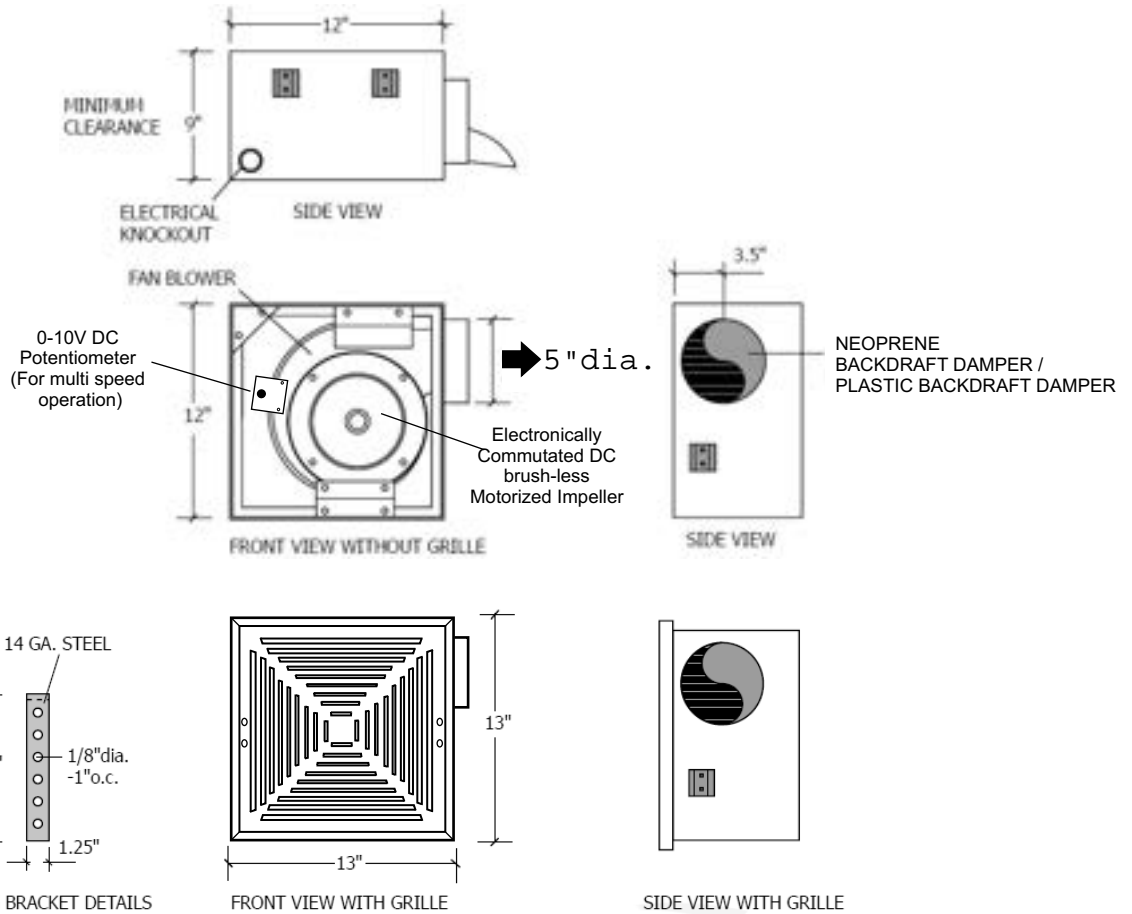
Optional:

- Aluminum backdraft damper
- Slotted white grille
- Aluminum Louvered grille



Reversomatic Manufacturing Ltd.

790 Rowntree Dairy Road, Woodbridge, ON Canada L4L 5V3 • Tel: 905-851-6701 • Fax: 905-851-8376
www.reversomatic.com • info@reversomatic.com



HVI CERTIFIED RATINGS

MODEL	@ 0.10" S.P.	
	CFM	SONES
RCF100-3	60	1.2
	80	1.3

FAN DATA

MODEL	MOTOR 120 VAC 60 Hz			CUBIC FEET PER MINUTE											SONES	
	RPM	AMPS	WATTS	S.P.	0.00	0.10	0.20	0.30	0.40	0.50	0.60	0.70	0.80	0.90		1.00
RCF100-3	1800	0.30	23	CFM	64	63	64	63	64	63	63	64	64	63	63	1.2
	2200	0.60	45	CFM	82	82	83	83	81	81	81	82	82	81	82	1.3
	2800	0.80	57	CFM	102	102	101	101	101	102	101	101	102	102	101	1.5
	3050	1.00	68	CFM	120	118	118	118	120	120	120	118	118	120	120	1.7
	3300	1.20	75	CFM	140	140	138	140	138	138	140	140	138	140	138	2.0

RPM (Revolution Per Minute) shown is nominal and performance is based on actual speed of test. Unit was tested with inlet grille, backdraft damper and outlet duct.

Contractor:	RCF100-3		
Architect:	Job:	Date:	Supersedes:
Engineer:	Date Submitted:		Drawing No.:



HI-RISE/CONDO FANS



Reversomatic Manufacturing Ltd.

790 Rowntree Dairy Road, Woodbridge, ON Canada L4L 5V3 • Tel: 905-851-6701 • Fax: 905-851-8376
www.reversomatic.com • info@reversomatic.com



SUPER QUIET BATHROOM FAN-LIGHT COMBINATION

Introducing our new super quiet low sound fan-light combination bathroom exhaust fan. The QB-80LT fan is specially designed for best performance at low noise level. This feature will undoubtedly give you the quietest fan-light in the market place.

Features:

- Attractive styling
- Aluminum/plastic grille
- Instant – ON, no flicker
- Save 75% - 81% energy
- Bulb – easy to replace
- Simplified mounting system
- Heavy gauge non corrosive satin coat construction
- Low heat generation extends life of lamp and reduces air conditioning cost
- Also meets Washington State Ventilation and Indoor Air Quality Code

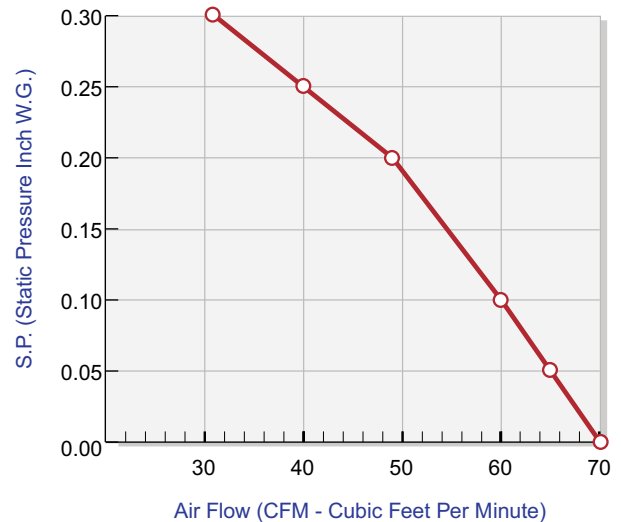


Hi-Impact
Polystyrene
Collar



Optional Dome Light Grille

QB-80LT FAN DATA



ACCESSORIES

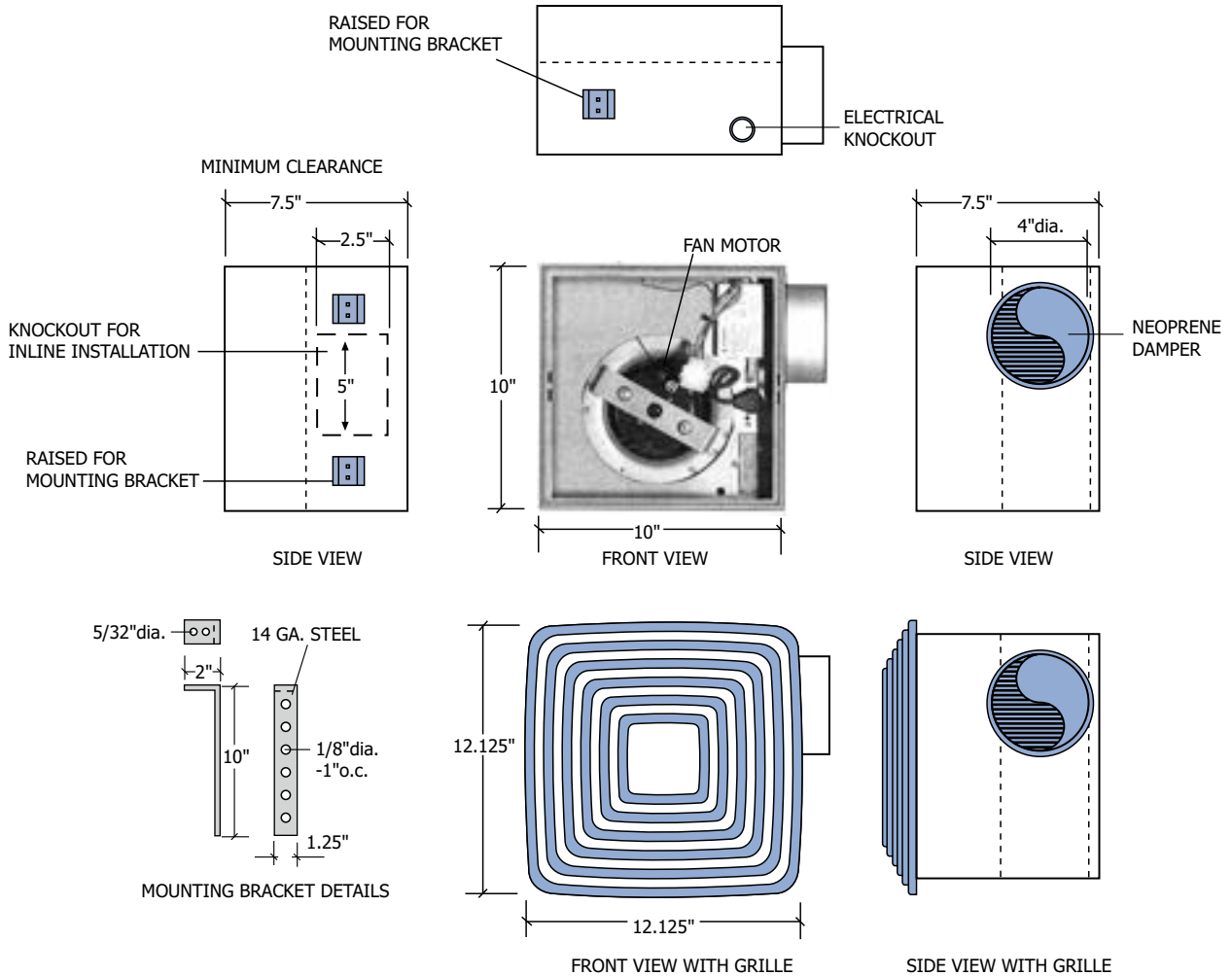
Standard:

- Plastic snap-in light grille
- Metal collar with neoprene damper
- Mounting brackets

Optional:

- Variable speed control
- Dome light aluminum grille
- Aluminum backdraft damper
- Hi-Impact Polystyrene Collar

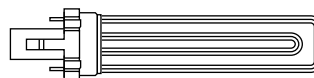




HVI CERTIFIED RATINGS

MODEL	SONES	CFM @ 0.10" S.P.
QB-80LT	0.6	60

FLUORESCENT LIGHT BULB - 4 PIN, 26 W (not supplied)



Bulb lasts up to 10,000 hrs. Reduces maintenance cost. **Bulb contains mercury. Dispose it according to local, state & Federal laws & regulations.**

FAN DATA

MODEL	MOTOR 120 VAC 60 Hz			CUBIC FEET PER MINUTE						
	RPM	AMPS	WATTS	S.P	0.00	0.05	0.10	0.20	0.25	0.30
QB-80LT	1080	0.40	31.5	CFM	70	65	60	49	40	31

RPM (Revolution Per Minute) shown is nominal and performance is based on actual speed of test. Unit was tested with inlet light grille, backdraft damper and outlet duct.

Contractor:		QB-80LT		
Architect:	Job:	Date	Supersedes	Drawing NO.
Engineer:	Date Submitted:			

Reversomatic Manufacturing Ltd.

790 Rowntree Dairy Road, Woodbridge, ON Canada L4L 5V3 • Tel: 905-851-6701 • Fax: 905-851-8376
 www.reversomatic.com • info@reversomatic.com



SUPER QUIET EXHAUST FAN

Introducing our new super quiet low sound bathroom exhaust fan. The QB-80BC fan is specially designed for best performance at low noise level. This feature will undoubtedly give you the most quietest fan in the market place. The fan is certified by California Energy Commission in accordance with California Law - Title 20. It also meets Washington State Ventilation and Indoor Air Quality Code.

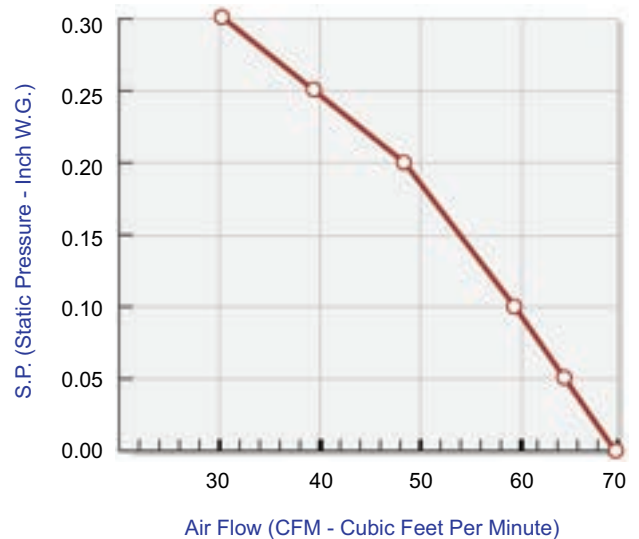


Hi-Impact
Polystyrene
Collar

White High Impact
Styrene Grille

Optional Stamped White
Aluminum Grille

QB-80BC FAN DATA



ACCESSORIES

Standard:

- Mounting brackets
- White High Impact Styrene Grille
- Metal collar with neoprene damper
- Sliding Damper

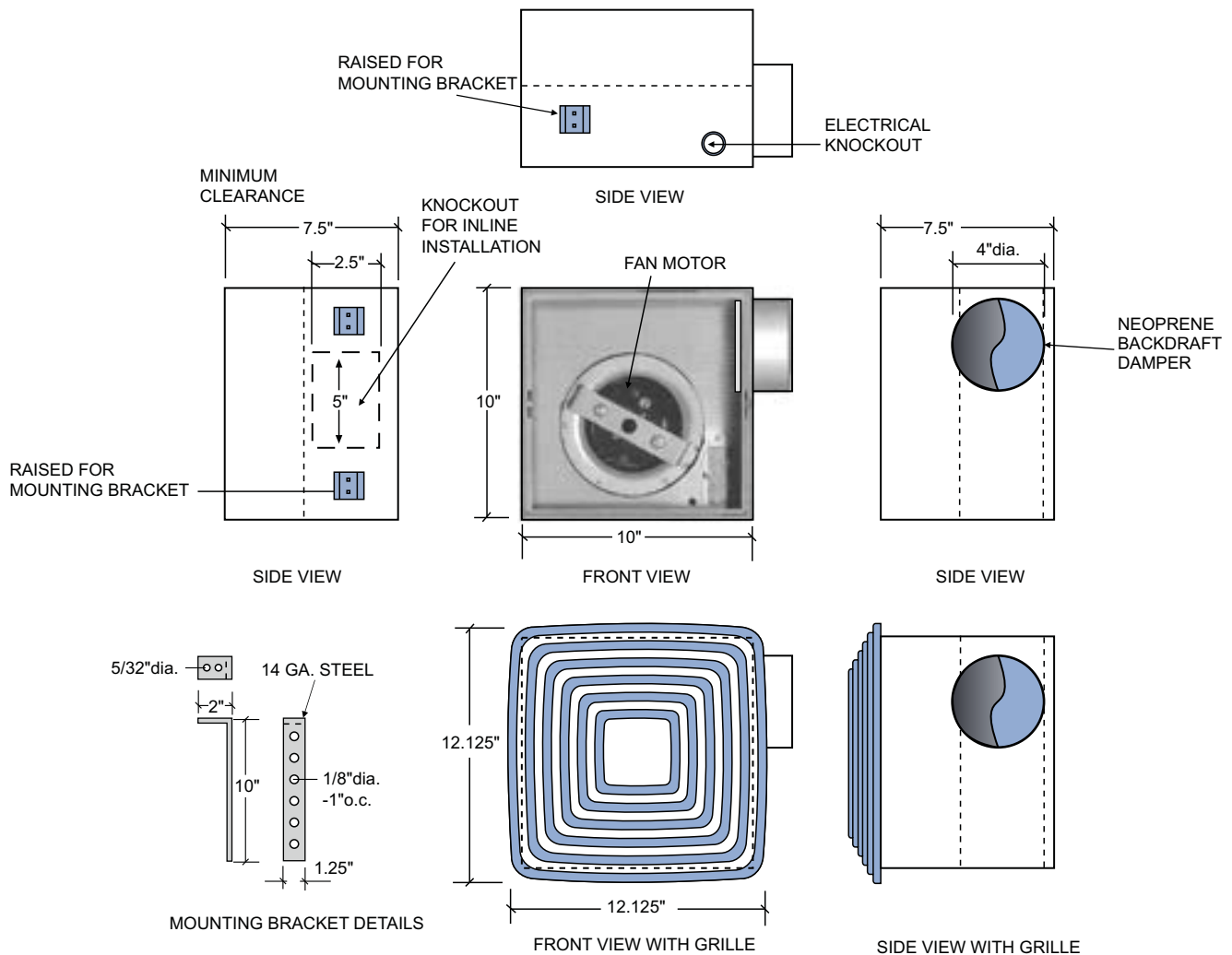
Optional:

- Variable speed control c/w On-Off
- White Aluminum Louvered Grille
- Aluminum backdraft damper
- Hi-Impact Polystyrene Collar
- Inline transition
- Balance box
- Baffle



Reversomatic Manufacturing Ltd.

790 Rowntree Dairy Road, Woodbridge, ON Canada L4L 5V3 • Tel: 905-851-6701 • Fax: 905-851-8376
www.reversomatic.com • info@reversomatic.com



HVI CERTIFIED RATINGS

MODEL	SONES	CFM @ 0.10" S.P.
QB-80BC	0.6	60

FAN DATA

MODEL	MOTOR 120 VAC 60 Hz			CUBIC FEET PER MINUTE						
	RPM	AMPS	WATTS	S.P.	0.00	0.05	0.10	0.20	0.25	0.30
QB-80BC	1080	0.40	31.5	CFM	70	65	60	49	40	31

RPM (Revolution Per Minute) shown is nominal and performance is based on actual speed of test. Unit was tested with inlet grille, backdraft damper and outlet duct.

Contractor:		QB-80BC		
Architect:	Job:	Date	Supersedes	Drawing No.
Engineer:	Date Submitted:			



XL SERIES SUPER QUIET BATHROOM EXHAUST FAN

The QB-80 fan is specially designed for bathrooms in apartments where exceptionally low noise level is required. It is available with mounting brackets for easy installation. The QB-80 is constructed of corrosion resistant heavy gauge satin coat steel. The fan is certified by California Energy Commission in accordance with California Law - Title 20. It also meets Washington State Ventilation and Indoor Air Quality Code.

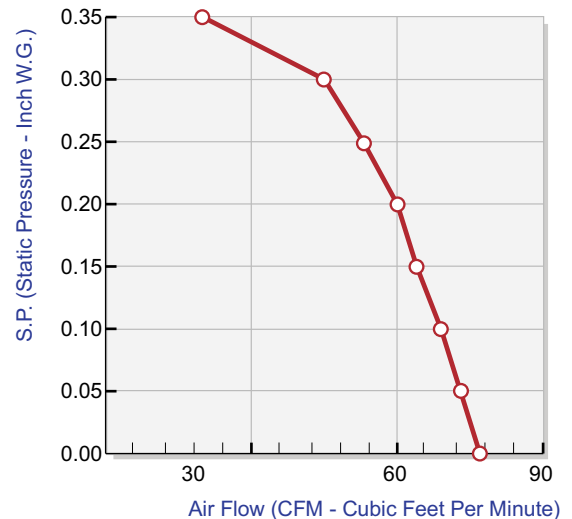


Plastic Backdraft Damper

High Impact Styrene Grille

White Aluminum Louvered Grille

QB-80 FAN DATA



ACCESSORIES

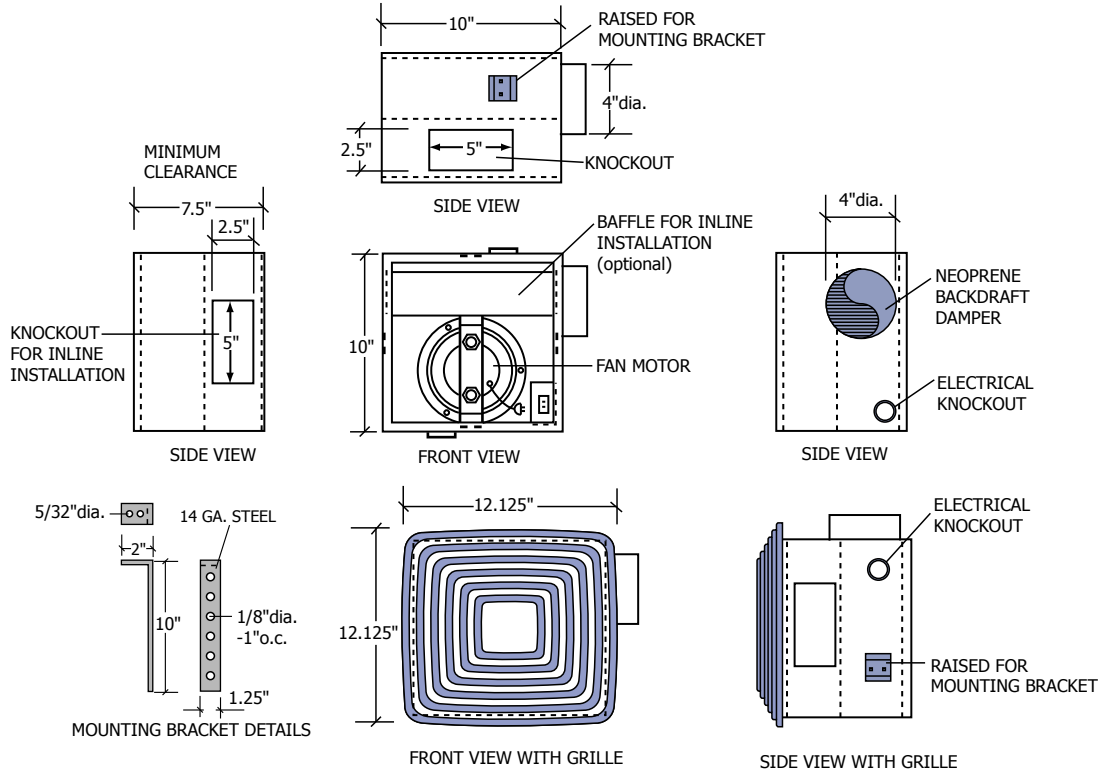
Standard:

- Plastic snap-in grille
- Mounting brackets
- Metal collar with neoprene damper

Optional:

- Variable speed control
- Aluminum backdraft damper
- Plastic backdraft damper
- Off white aluminum louvered grille
- Baffle
- Balance box
- Inline transition





HVI CERTIFIED RATINGS

MODEL	SONES	CFM @ 0.10" S.P.
QB-80	2.0	60

FAN DATA

MODEL	MOTOR 120 VAC 60 Hz			CUBIC FEET PER MINUTE							
	RPM	AMPS	S.P.	0.00	0.05	0.10	0.15	0.20	0.25	0.30	0.35
QB-80	1000	0.35	CFM	77	73	69	64	60	53	45	20

RPM (Revolution Per Minute) shown is nominal and performance is based on actual speed of test. Unit was tested with inlet grille, backdraft damper and outlet duct.

SOUND RATING

OCTAVE BAND		1	2	3	4	5	6	7	8
CENTER FREQUENCY Hz		63	125	250	500	1000	2000	4000	8000
STATIC PRESSURE INCH W.G.	0.00	62.0	53.1	49.5	51.3	45.6	39.2	41.2	45.0
	0.19	61.7	54.0	48.6	48.4	46.2	38.5	39.9	42.2
	0.41	61.5	56.1	51.1	49.3	44.6	38.9	41.1	48.1

The sound power level ratings shown are in decibels, referred to 10⁻¹² watts calculated per AMCA Standard 301. Values shown are for inlet Lwi sound power levels for installation Type B: free inlet, ducted outlet. Ratings do not include the effects of duct end correction.

Contractor:		QB-80		
Architect:	Job:	DatW	Supersedes	Drawing NO.
Engineer:	Date Submitted:			

Reversomatic Manufacturing Ltd.



XL SERIES BATHROOM EXHAUST FANS

The B-60 and QB-60 fans are specially designed for bathrooms in apartments which require low noise levels. They have been manufactured with a squirrel cage impeller for high performance and with slim housing allowing them to be installed between ceiling joists.

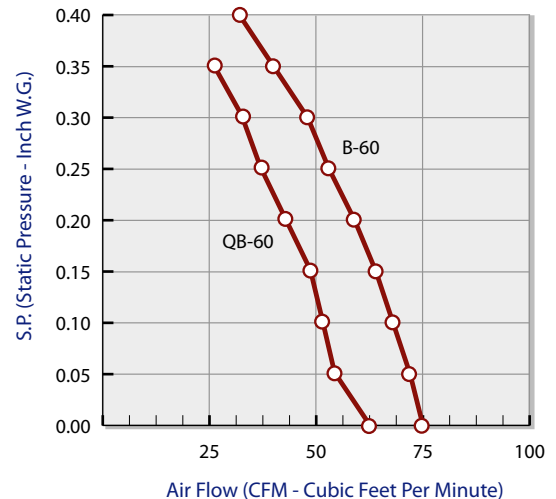


Plastic Backdraft Damper

High Impact Styrene Grille

Off White Aluminum Louvered Grille (optional)

FAN DATA



ACCESSORIES

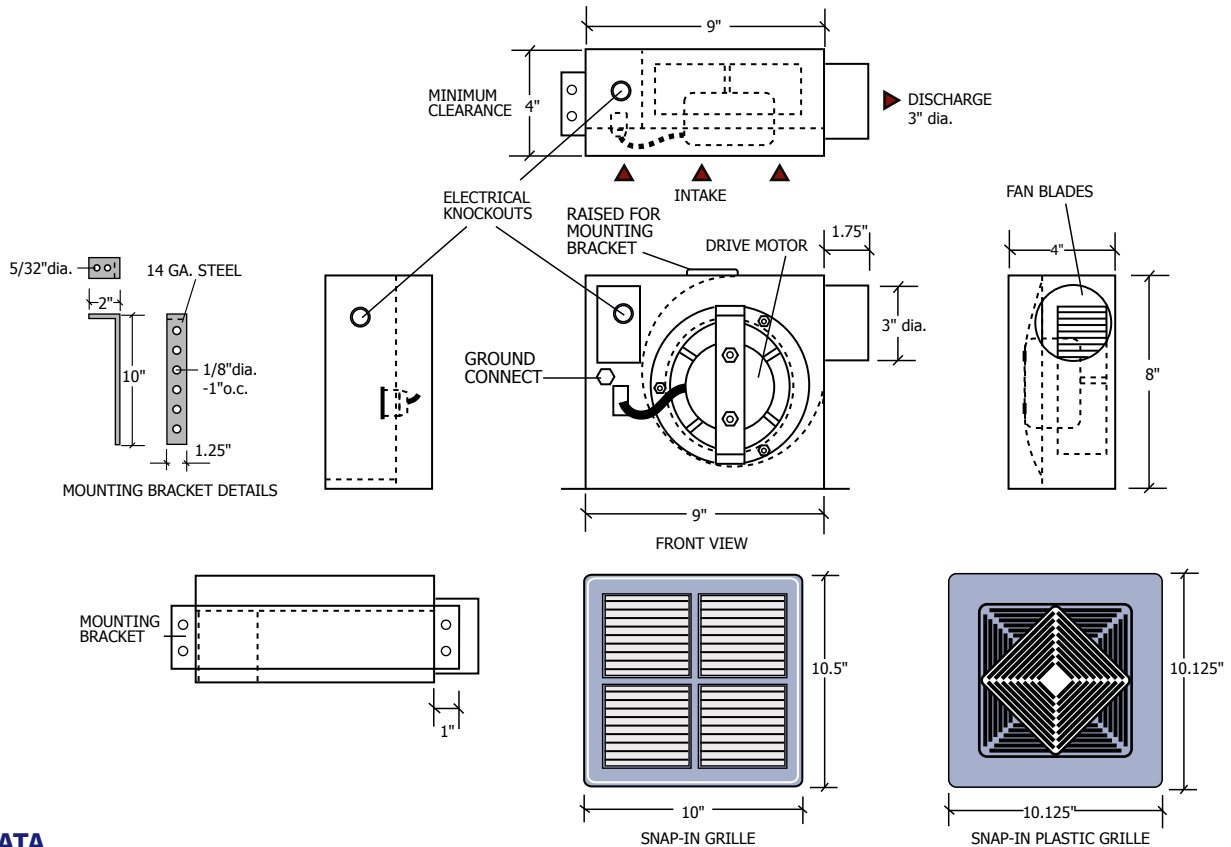
Standard:

- Plastic backdraft damper or metal collar with neoprene damper
- Mounting bracket
- Plastic snap-in grille

Optional:

- Variable speed control
- Aluminum backdraft damper
- Off white aluminum grille





FAN DATA

MODEL	MOTOR 120 VAC 60 Hz			CUBIC FEET PER MINUTE									SONES
	RPM	AMPS	S.P.	0.00	0.05	0.10	0.15	0.20	0.25	0.30	0.35	0.40	
B-60	1550	0.60	CFM	75	72	68	64	59	53	48	40	32	2.5
QB-60	1250	0.35	CFM	59	54	52	49	46	40	34	27	-	2.0

RPM (Revolution Per Minute) shown is nominal and performance is based on actual speed of test. Unit was tested with inlet grille, backdraft damper and outlet duct.

SOUND RATING

OCTAVE BAND		1	2	3	4	5	6	7	8
CENTER FREQUENCY Hz		63	125	250	500	1000	2000	4000	8000
B-60 STATIC PRESSURE INCH W.G.	0.00	57	62	55	60	55	50	50	47
	0.22	58	62	52	56	53	50	45	44
	0.40	62	62	46	54	55	52	54	52
QB-60 STATIC PRESSURE INCH W.G.	0.00	59	50	50	56	51	45	42	39
	0.16	60	51	47	52	50	43	40	39
	0.33	59	50	47	52	48	41	37	38

The sound power level ratings shown are in decibels, referred to 10^{-12} watts calculated per AMCA Standard 301. Values shown are for inlet Lwi sound power levels for installation Type B: free inlet, ducted outlet. Ratings do not include the effects of duct end correction.

Contractor:	B-60, QB-60			
Architect:	Job:	Data	Supersedes	Drawing NO.
Engineer:	Date Submitted:			

Reversomatic Manufacturing Ltd.

790 Rowntree Dairy Road, Woodbridge, ON Canada L4L 5V3 • Tel: 905-851-6701 • Fax: 905-851-8376
www.reversomatic.com • info@reversomatic.com



ULTRA QUIET BATHROOM EXHAUST FAN

The QCF-80ES fan is specially designed with exceptionally low noise levels for bathrooms in apartments. It is available with mounting brackets for easy installation. The QCF-80ES is constructed of corrosion resistant heavy gauge satin coat steel.

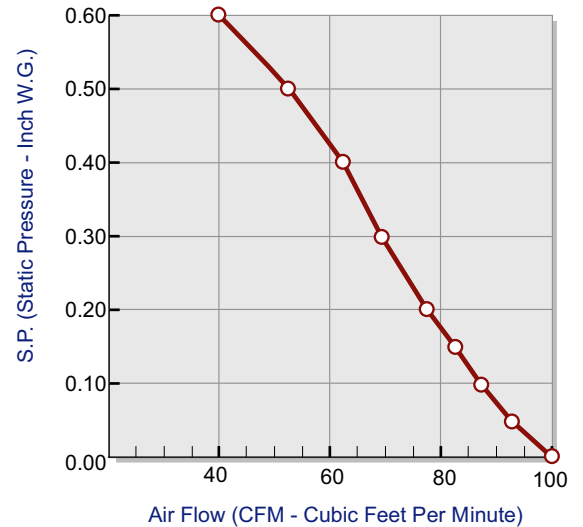


Plastic Backdraft Damper

High Impact Styrene Grille

White Aluminum Grille

QCF-80ES FAN DATA



ACCESSORIES

Standard:

- Mounting brackets
- Metal collar with neoprene damper
- High impact styrene grille

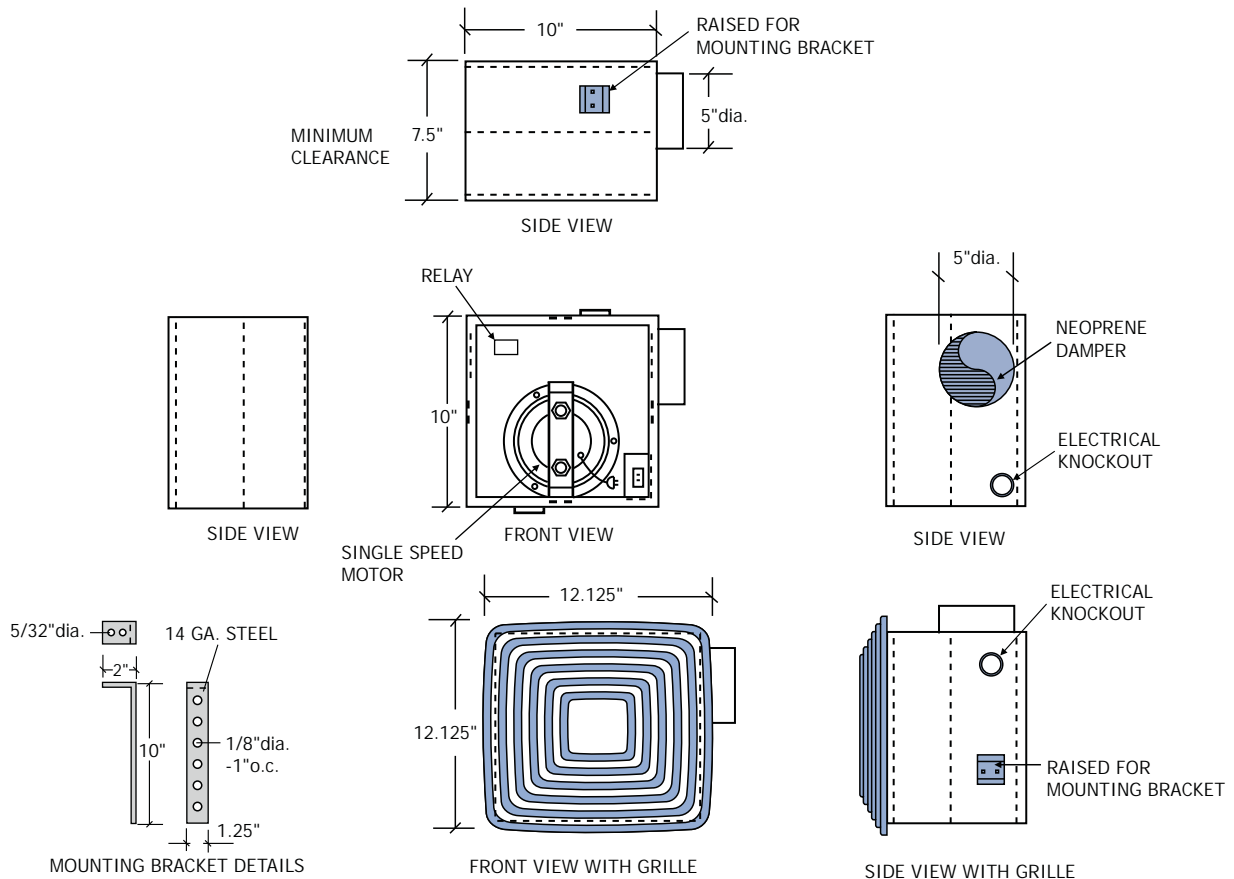
Optional:

- Variable speed control
- Aluminum backdraft damper
- Plastic backdraft damper
- Off white aluminum louvered grille
- Baffle
- Inline Transition
- Balance Box



Reversomatic Manufacturing Ltd.

790 Rowntree Dairy Road, Woodbridge, ON Canada L4L 5V3 • Tel: 905-851-6701 • Fax: 905-851-8376
www.reversomatic.com • info@reversomatic.com



HVI CERTIFIED RATINGS

MODEL	SONES	CFM
QCF-80ES	0.3	80 CFM @ 0.10" S.P.

FAN DATA

MODEL	MOTOR 120 VAC 60 Hz			CUBIC FEET PER MINUTE									
	RPM	AMPS	WATTS	S.P.	0.00	0.05	0.10	0.15	0.20	0.30	0.40	0.50	0.60
QCF-80ES	800	0.20	24	CFM	100	93	87	82	77	69	62	53	40

RPM (Revolution Per Minute) shown is nominal and performance is based on actual speed of test. Unit was tested with inlet grille, backdraft damper and outlet duct.

Contractor:		QCF-80ES		
Architect:	Job:	Date	Supersedes	Drawing No.
Engineer:	Date Submitted:			

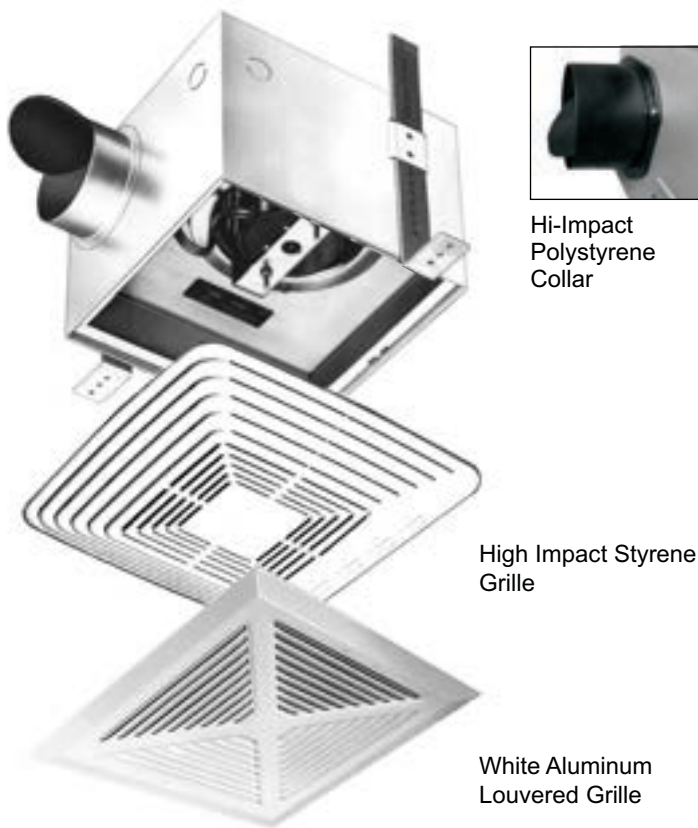
Reversomatic Manufacturing Ltd.

790 Rowntree Dairy Road, Woodbridge, ON Canada L4L 5V3 • Tel: 905-851-6701 • Fax: 905-851-8376
www.reversomatic.com • info@reversomatic.com



ULTRA QUIET BATHROOM EXHAUST FAN

The QCF-80ES (S) fan is specially designed with exceptionally low noise levels for bathrooms in apartments. It is available with mounting brackets for easy installation. The QCF-80ES (S) is constructed of corrosion resistant heavy gauge satin coat steel - Slim housing for low ceiling.

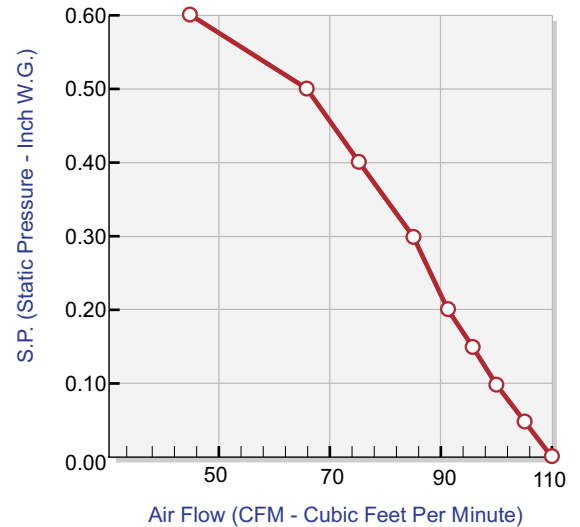


Hi-Impact
Polystyrene
Collar

High Impact Styrene
Grille

White Aluminum
Louvered Grille

QCF-80ES (S) FAN DATA



ACCESSORIES

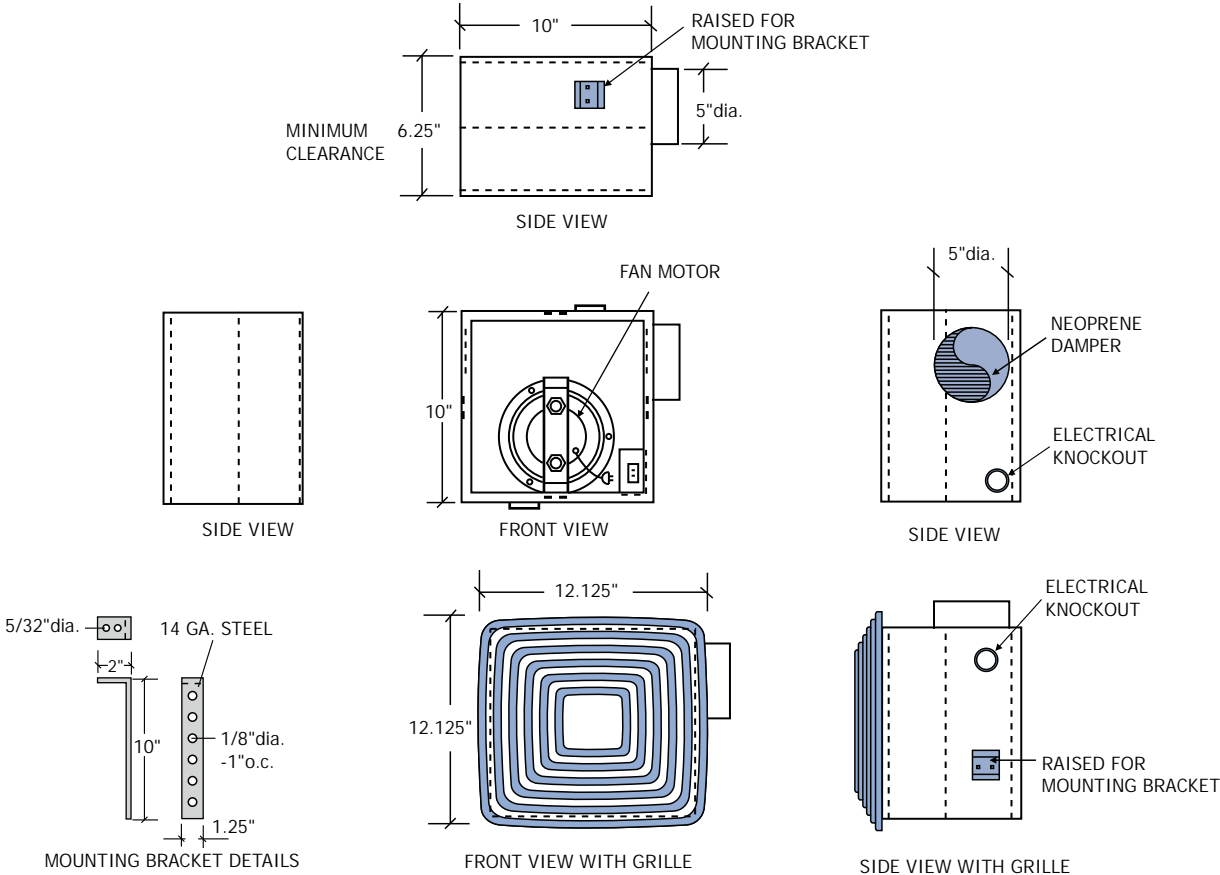
Standard:

- Mounting brackets
- Metal collar with neoprene damper
- High impact styrene grille

Optional:

- Variable speed control
- Aluminum backdraft damper
- Hi-Impact Polystyrene Collar
- White aluminum louvered grille





HVI CERTIFIED RATINGS

MODEL	SONES	CFM @ 0.10" S.P.
QCF-80ES (S)	0.9	100

FAN DATA

MODEL	MOTOR 120 VAC 60 Hz			CUBIC FEET PER MINUTE									
	RPM	AMPS	WATTS	S.P.	0.00	0.05	0.10	0.15	0.20	0.30	0.40	0.50	0.60
QCF-80ES (S)	850	0.20	27	CFM	110	105	100	97	92	85	75	66	45

RPM (Revolution Per Minute) shown is nominal and performance is based on actual speed of test. Unit was tested with inlet grille, backdraft damper and outlet duct.

Contractor:		QCF-80ES (S)		
Architect:	Job:	Date	Supersedes	Drawing No.
Engineer:	Date Submitted:			



ULTRA SUPER QUIET EXHAUST FAN

The QCF-95 fan is designed for high performance and quiet operation. This fan is equipped with specially designed mounting slots that allow for easy installation on concrete ceilings or wooden joists. The QCF-95 is constructed with corrosion resistant, heavy gauge satin coat steel. The fan is suitable for installation over bath tub or shower stall with GFCI protected branch circuit. It also meets Washington State Ventilation and Indoor Air Quality Code.



Plastic Backdraft Damper

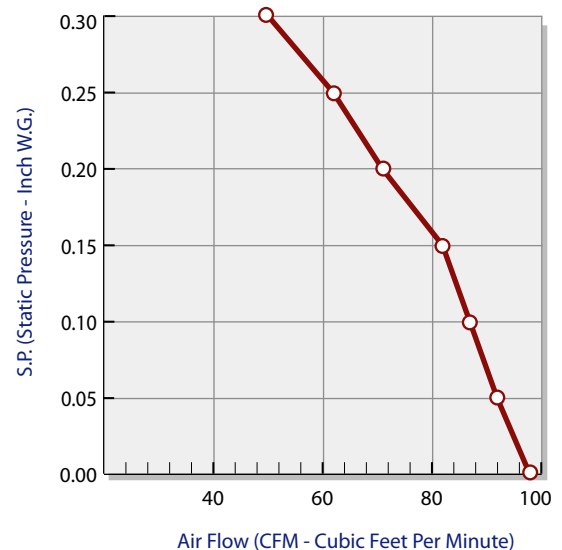
Off White Aluminum Grille



High Impact Styrene Grille

Off White Louvered Grille

QCF-95 FAN DATA



ACCESSORIES

Standard:

- White aluminum grille/louvered grille
- Mounting brackets
- Plastic backdraft damper or metal collar with neoprene damper

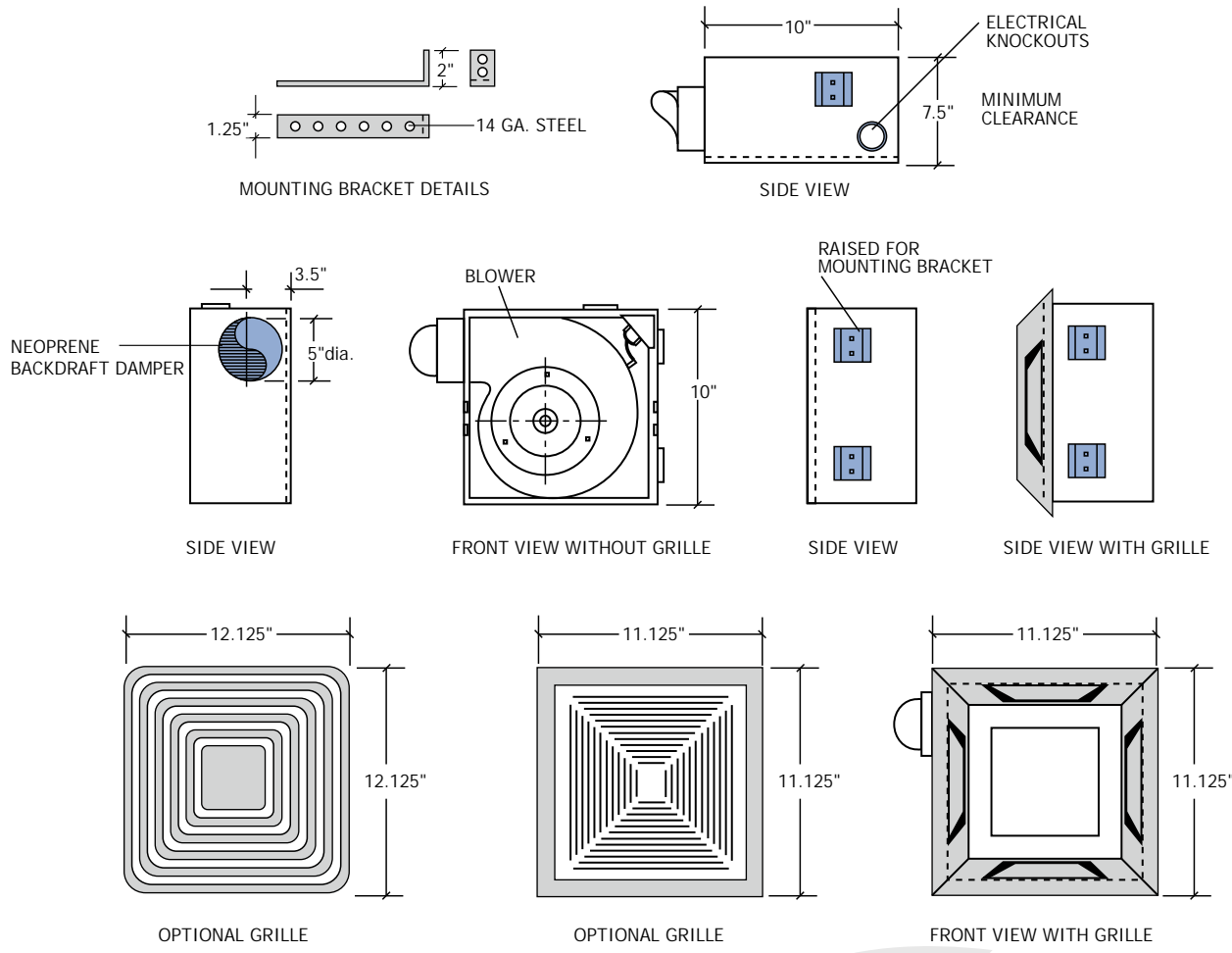
Optional:

- Variable speed control
- Aluminum backdraft damper
- White styrene grille



Reversomatic Manufacturing Ltd.

790 Rowntree Dairy Road, Woodbridge, ON Canada L4L 5V3 • Tel: 905-851-6701 • Fax: 905-851-8376
www.reversomatic.com • info@reversomatic.com



HVI CERTIFIED RATINGS

MODEL	SONES	CFM @ 0.10" S.P.
QCF-95	1.5	80

FAN DATA

MODEL	MOTOR 120 VAC 60 Hz		CUBIC FEET PER MINUTE							
	RPM	AMPS	S.P.	0.00	0.05	0.10	0.15	0.20	0.25	0.30
QCF-95	1050	0.35	CFM	98	92	87	82	71	62	31

RPM (Revolution Per Minute) shown is nominal and performance is based on actual speed of test. Unit was tested with inlet grille, backdraft damper and outlet duct.

Contractor:		QCF-95		
Architect:	Job:	Date	Supersedes	Drawing No.
Engineer:	Date Submitted:			



ULTRA SUPER QUIET EXHAUST FAN

The QCF-110 fan is designed for high performance and quiet operation. This fan is equipped with specially designed mounting slots that allow for easy installation on concrete ceilings or wooden joists. The QCF-110 is constructed with corrosion resistant, heavy gauge satin coat steel. The fan is suitable for installation over bath tub or shower stall with GFCI protected branch circuit. It also meets Washington State Ventilation and Indoor Air Quality Code.

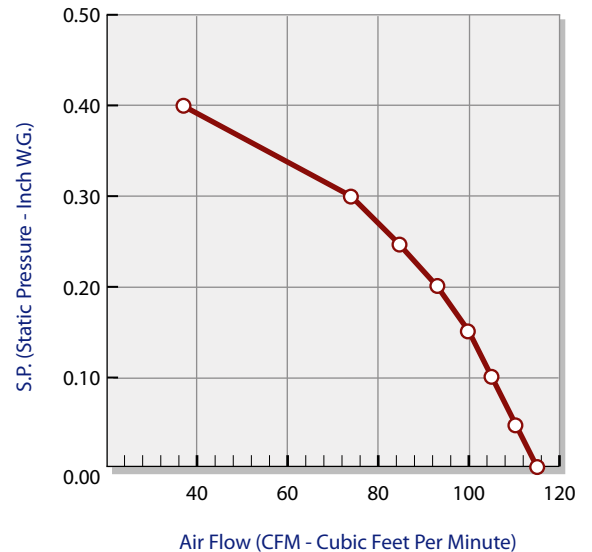


Plastic Backdraft Damper

White High Impact Styrene Grille

Off White Aluminum Louvered Grille

QCF-110 FAN DATA



ACCESSORIES

Standard:

- Insulated housing
- Plastic backdraft damper or metal collar with neoprene damper
- Mounting brackets
- Aluminum or styrene grille

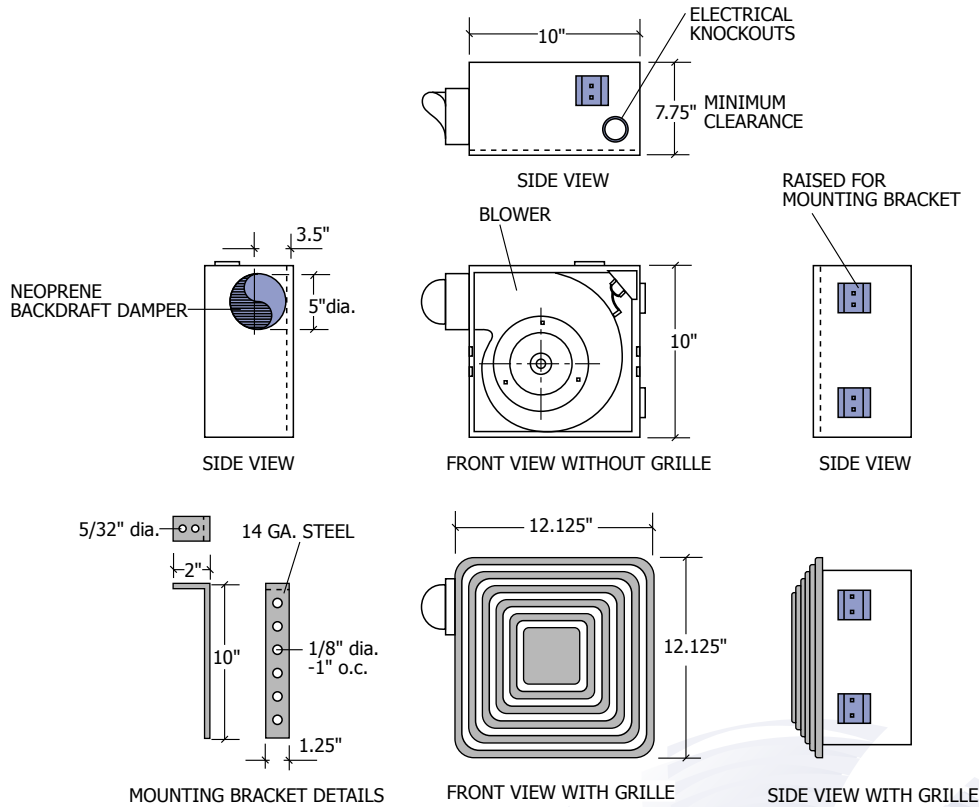
Optional:

- Variable speed control
- Aluminum backdraft damper



Reversomatic Manufacturing Ltd.

790 Rowntree Dairy Road, Woodbridge, ON Canada L4L 5V3 • Tel: 905-851-6701 • Fax: 905-851-8376
www.reversomatic.com • info@reversomatic.com



HVI CERTIFIED RATINGS

MODEL	SONES	CFM @ 0.10" S.P.
QCF-110	1.0	100

FAN DATA

MODEL	MOTOR 120 VAC 60 Hz			CUBIC FEET PER MINUTE								
	RPM	AMPS	HP	S.P.	0.00	0.05	0.10	0.15	0.20	0.25	0.30	0.40
QCF-110	1050	0.6	1/90	CFM	115	110	105	100	93	84	74	37

RPM (Revolution Per Minute) shown is nominal and performance is based on actual speed of test. Unit was tested with inlet grille, backdraft damper and outlet duct.

SOUND RATING

OCTAVE BAND	1	2	3	4	5	6	7	8
CENTER FREQUENCY Hz	63	125	250	500	1000	2000	4000	8000
FULL-OCTAVE BAND SOUND PRESSURE LEVEL (dB)	43	47	49	45	44	33	33	24

Contractor:	QCF-110			
Architect:	Job:	Data	Supersedes	Drawing NO.
Engineer:	Date Submitted:			

Reversomatic Manufacturing Ltd.



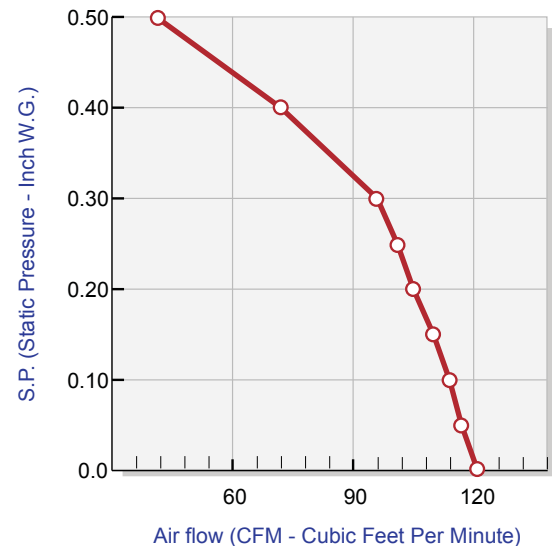
QCF-125

February 2008

SUPER QUIET EXHAUST FAN

The QCF-125 fan is designed for high performance and quiet operation. This fan is equipped with specially designed mounting slots that allow for easy installation on concrete ceilings or wooden joists. The QCF-125 is constructed with corrosion resistant, heavy gauge satin coat steel. The fan is suitable for installation over bath tub or shower stall with GFCI protected branch circuit. It also meets Washington State Ventilation and Indoor Air Quality code

QCF-125 FAN DATA



Hi-impact Polystyrene collar

Off White Aluminum grille



High Impact Styrene Grille



Off White Louvered Grille

ACCESSORIES

Standard:

- Insulated Housing
- Mounting bracket
- Metal collar with neoprene damper
- Styrene grille or Off white louvered grille

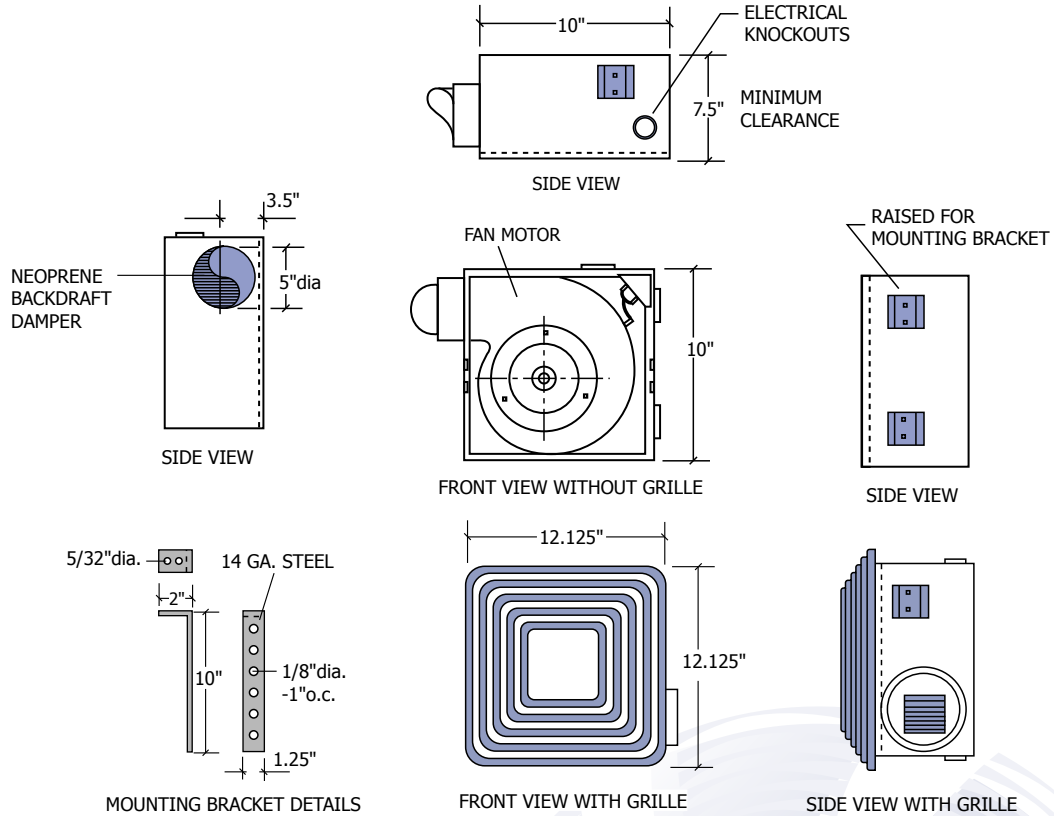
Optional:

- Hi-impact Polystyrene collar
- Variable speed control
- Aluminum backdraft damper
- Off white aluminum louvered grille



Reversomatic Manufacturing Ltd.

790 Rowntree Dairy Road, Woodbridge, ON Canada L4L 5V3 • Tel: 905-851-6701 • Fax: 905-851-8376
www.reversomatic.com • info@reversomatic.com



HVI CERTIFIED RATINGS

MODEL	SONES	CFM @ 0.10" S.P.
QCF-125	2.0	110

FAN DATA

MODEL	MOTOR 120 VAC 60 Hz			CUBIC FEET PER MINUTE									
	RPM	AMPS	HP	S.P.	0.00	0.05	0.10	0.15	0.20	0.25	0.30	0.40	0.50
QCF-125	1050	0.7	1/90	CFM	121	117	114	110	105	101	96	72	41

RPM (Revolution Per Minute) shown is nominal and performance is based on actual speed of test. Unit was tested with inlet grille, backdraft damper and outlet duct.

SOUND RATING

OCTAVE BAND	1	2	3	4	5	6	7	8
CENTER FREQUENCY Hz	63	125	250	500	1000	2000	4000	8000
FULL-OCTAVE BAND SOUND PRESSURE LEVEL (dB)	40.8	47.2	39.4	34.0	31.5	24.0	19.4	14.4

Contractor:	QCF-125		
Architect:	Job:	Data	Supersedes
Engineer:	Date Submitted:		Drawing NO.

Reversomatic Manufacturing Ltd.



SUPER QUIET EXHAUST FAN

The QCF-125ES fan is designed for high performance and quiet operation. This fan is equipped with specially designed mounting slots that allow for easy installation on concrete ceilings or wooden joists. The QCF-125ES is constructed with corrosion resistant, heavy gauge satin coat steel. This fan is suitable for installation over bath tub or shower stall with GFCI protected branch circuit. The fan is certified by California Energy Commission in accordance with California Law - Title 20. It also meets Washington State Ventilation and Indoor Air Quality Code.



Plastic Backdraft Damper

Off White Aluminum Grille

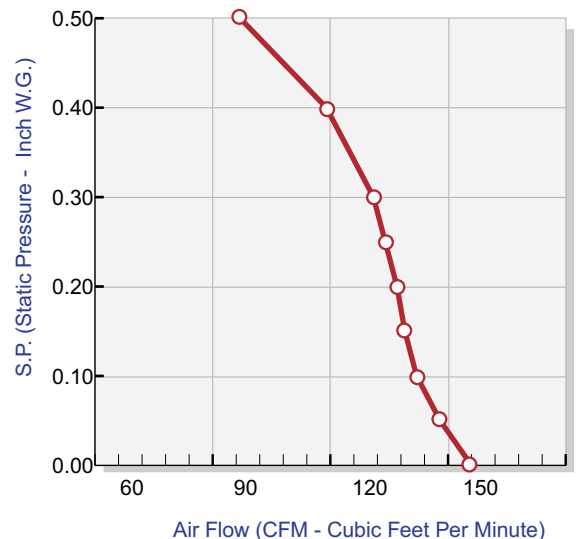


High Impact Styrene Grille



Off White Louvered Grille

QCF-125ES FAN DATA



ACCESSORIES

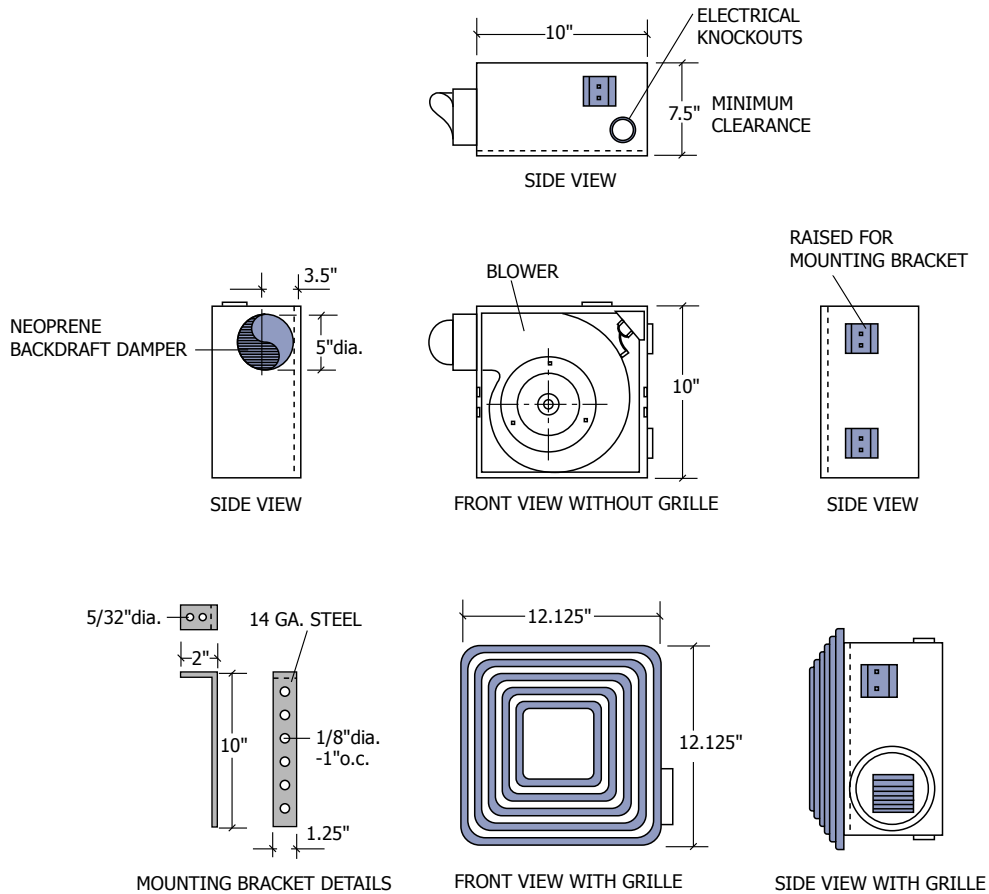
Standard:

- Insulated housing
- Metal collar with neoprene damper
- Mounting brackets
- Styrene grille

Optional:

- Variable speed control
- Off white aluminum grille
- Louvered grille
- Aluminum backdraft damper
- Plastic backdraft damper





HVI CERTIFIED RATINGS

MODEL	SONES	CFM @ 0.10" S.P.
QCF-125ES	2.0	110

FAN DATA

MODEL	MOTOR 120 VAC 60 Hz			CUBIC FEET PER MINUTE									
	RPM	AMPS	WATTS	S.P.	0.00	0.05	0.10	0.15	0.20	0.25	0.30	0.40	0.50
QCF-125ES	1010	0.31	37	CFM	126	118	112	109	107	104	101	89	67

RPM (Revolution Per Minute) shown is nominal and performance is based on actual speed of test. Unit was tested with inlet grille, backdraft damper and outlet duct.

Contractor:		QCF-125ES		
Architect:	Job:	Date	Supersedes	Drawing NO.
Engineer:	Date Submitted:			

Reversomatic Manufacturing Ltd.

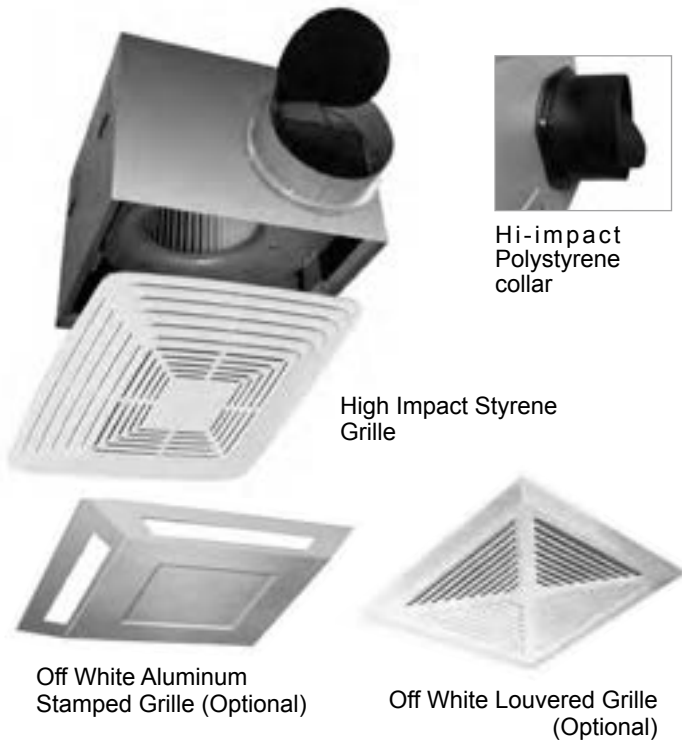
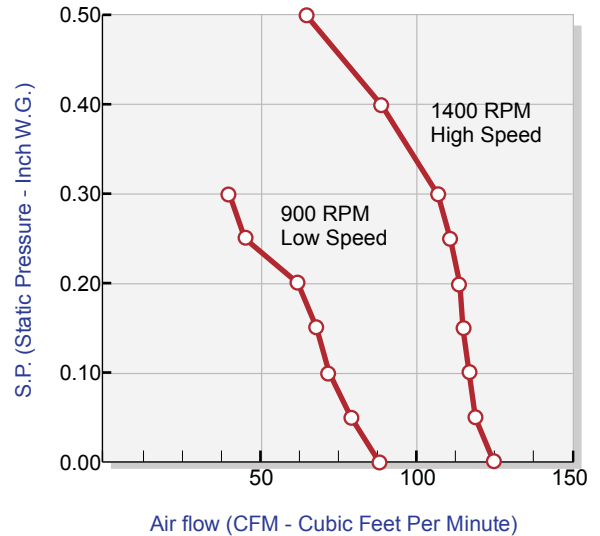


ULTRA SUPER QUIET EXHAUST FAN

The QCF-125CO fan is designed for high performance and quiet operation. This fan is equipped with specially designed mounting slots that allow for easy installation on concrete ceilings or wooden joists. It is constructed with corrosion resistant, heavy gauge satin coat steel.

The QCF-125CO is available with 2 speed motor and 2 "ON" position switch for constant ventilation. One speed is always ON. It is suitable for installation over bath tub or shower stall with GFCI protected branch circuit. It also meets Washington State Ventilation and Indoor Air Quality Code.

QCF-125CO FAN DATA



ACCESSORIES

Standard:

- Insulated Housing
- Mounting bracket
- Metal collar with neoprene damper
- High impact styrene grille

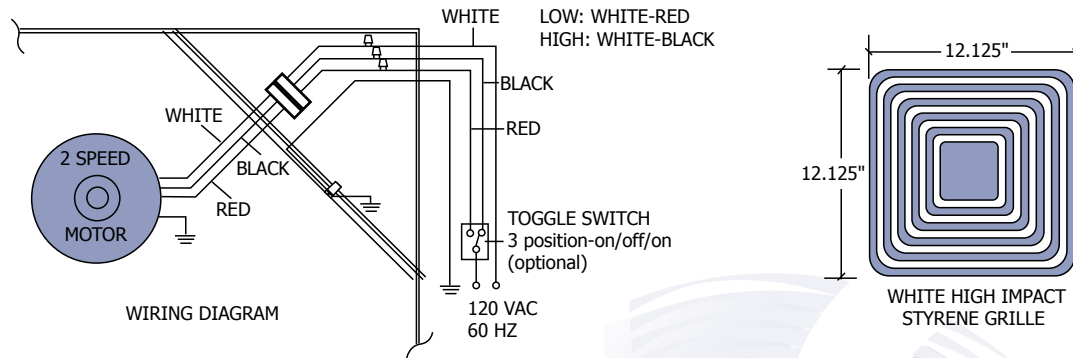
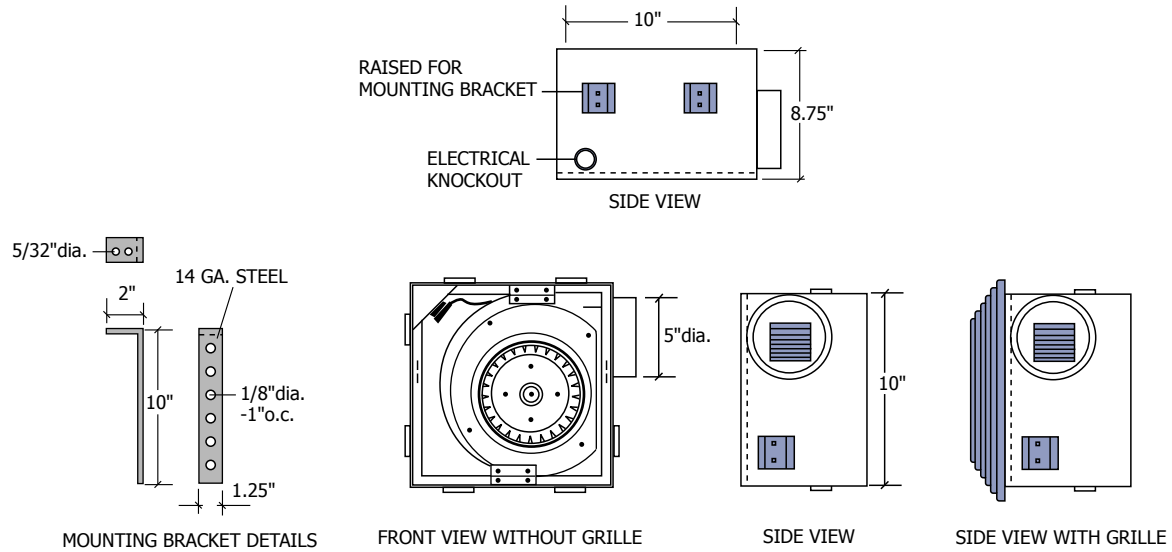
Optional:

- Hi-impact Polystyrene collar
- Variable speed control
- Aluminum backdraft damper
- Off white aluminum stamped or louvered grille
- 3 position toggle switch (on/off/on)



Reversomatic Manufacturing Ltd.

790 Rowntree Dairy Road, Woodbridge, ON Canada L4L 5V3 • Tel: 905-851-6701 • Fax: 905-851-8376
www.reversomatic.com • info@reversomatic.com



HVI CERTIFIED RATINGS (High Speed only)

MODEL	SONES	CFM @ 0.10" S.P.
QCF-125CO	2.0	110

FAN DATA

MODEL	MOTOR 120 VAC 60 Hz		CUBIC FEET PER MINUTE										SONES
	RPM	AMPS	S.P.	0.00	0.05	0.10	0.15	0.20	0.25	0.30	0.40	0.50	
QCF-125CO	1400	0.6	CFM	126	120	118	116	115	112	108	90	66	2.0
	900	0.4	CFM	88	79	72	68	62	45	40			0.5

RPM (Revolution Per Minute) shown is nominal and performance is based on actual speed of test. Unit was tested with inlet grille, backdraft damper and outlet duct.

Contractor:	QCF-125CO		
Architect:	Job:	Data	Supersedes
Engineer:	Date Submitted:		Drawing NO.

Reversomatic Manufacturing Ltd.

790 Rowntree Dairy Road, Woodbridge, ON Canada L4L 5V3 • Tel: 905-851-6701 • Fax: 905-851-8376
 www.reversomatic.com • info@reversomatic.com



ULTRA SUPER QUIET EXHAUST FAN

The CF-170ES fan is designed for high performance and quiet operation. This fan is equipped with specially designed mounting slots that allow for easy installation on concrete ceilings or wooden joists. The CF-170ES is constructed with corrosion resistant, heavy gauge satin coat steel. This fan is suitable for installation over bath tub or shower stall with GFCI protected branch circuit. The fan is certified by California Energy Commission in accordance with California Law - Title 20. It also meets Washington State Ventilation and Indoor Air Quality Code.

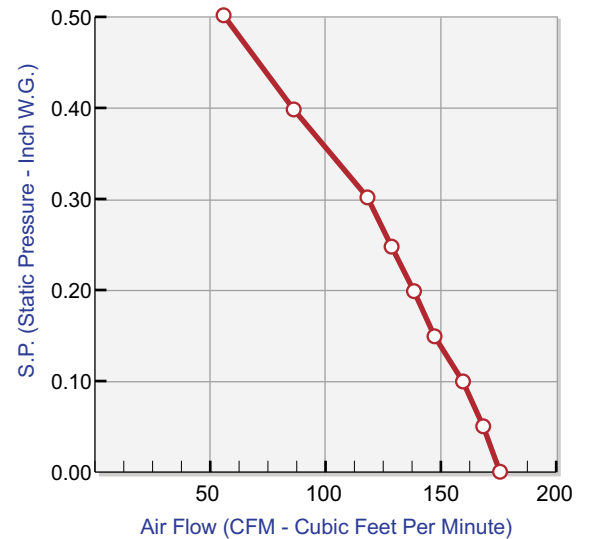


Plastic Backdraft Damper

White High Impact

Off White Aluminum Grille

CF-170ES FAN DATA



ACCESSORIES

Standard:

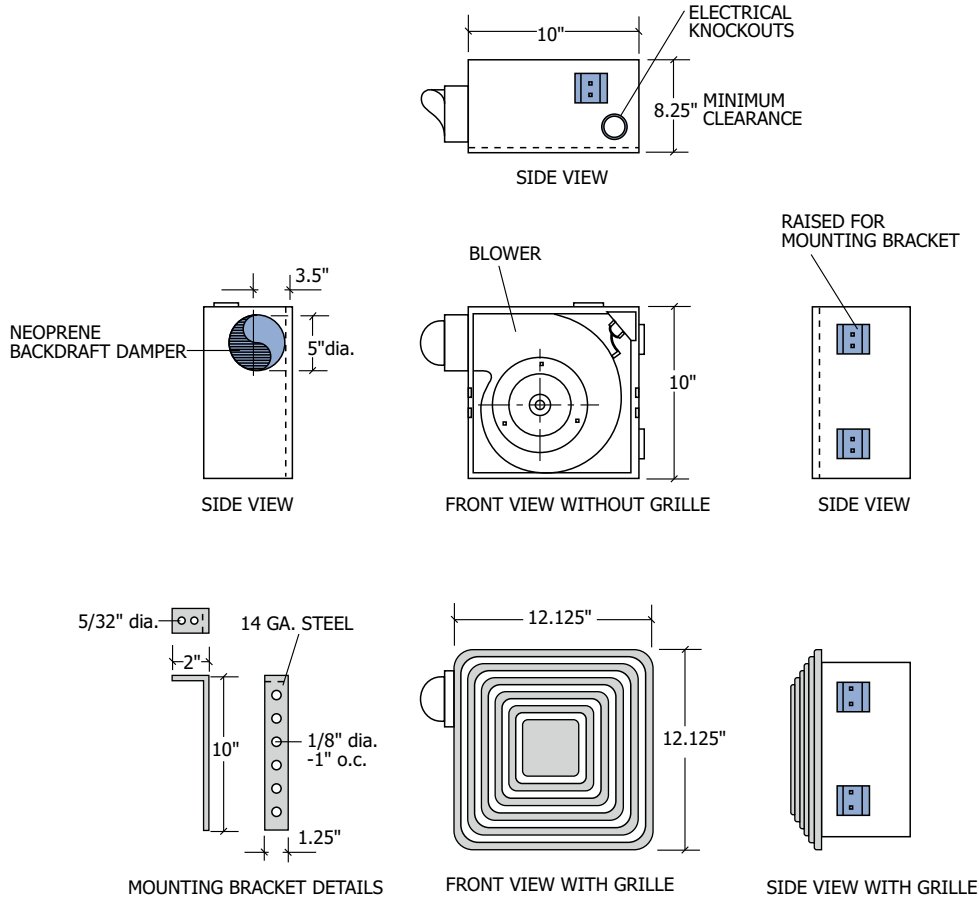
- Insulated housing
- Metal collar with neoprene damper
- Mounting brackets
- Aluminum or styrene grille

Optional:

- Variable speed control
- Aluminum backdraft damper
- Plastic backdraft damper



CF-170ES (CF-170BC)



HVI CERTIFIED RATINGS

MODEL	SONES	CFM @ 0.10" S.P.
CF-170ES	2.0	150

FAN DATA

MODEL	MOTOR 120 VAC 60 Hz			CUBIC FEET PER MINUTE									
	RPM	AMPS	WATTS	S.P.	0.00	0.05	0.10	0.15	0.20	0.25	0.30	0.40	0.50
CF-170ES	1400	0.4	45.9	CFM	171	165	157	148	139	128	116	88	55

RPM (Revolution Per Minute) shown is nominal and performance is based on actual speed of test. Unit was tested with inlet grille, backdraft damper and outlet duct.

Contractor:		CF-170ES (CF-170BC)		
Architect:	Job:	Date	Supersedes	Drawing NO.
Engineer:	Date Submitted:			

Reversomatic Manufacturing Ltd.

790 Rowntree Dairy Road, Woodbridge, ON Canada L4L 5V3 • Tel: 905-851-6701 • Fax: 905-851-8376
www.reversomatic.com • info@reversomatic.com



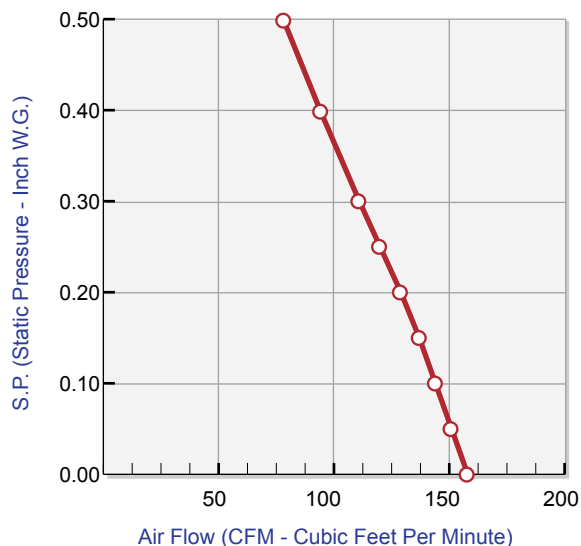
CF-170 (QCF-170 US model)

April 2008

ULTRA QUIET EXHAUST FAN

The CF-170-2 fan is designed for high performance and quiet operation. This fan is equipped with specially designed mounting slots that allow for easy installation on concrete ceilings or wooden joists. It is constructed with corrosion resistant, heavy gauge satin coat steel. The fan is suitable for installation over bath tub or shower stall with GFCI protected branch circuit. It also meets Washington State Ventilation and Indoor Air Quality code.

CF-170 FAN DATA



Hi-impact Polystyrene collar

White High Impact Styrene Grille

Off White Aluminum Grille

ACCESSORIES

Standard:

- Insulated housing
- Metal collar with neoprene damper
- Mounting brackets
- Aluminum or styrene grille

Optional:

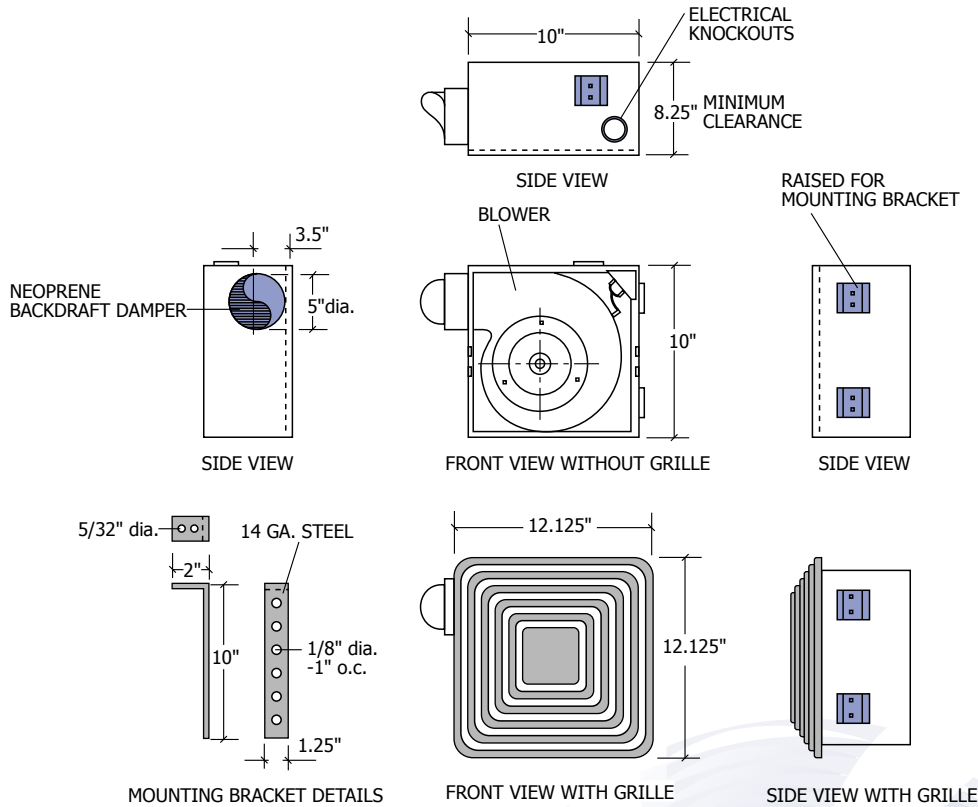
- Aluminum backdraft damper
- Hi-impact Polystyrene collar
- Variable speed control



Reversomatic Manufacturing Ltd.

790 Rowntree Dairy Road, Woodbridge, ON Canada L4L 5V3 • Tel: 905-851-6701 • Fax: 905-851-8376
www.reversomatic.com • info@www.reversomatic.com

CF-170 (QCF-170 US model)



HVI CERTIFIED RATINGS

MODEL	SONES	CFM @ 0.10" S.P.
CF-170	2.5	140

FAN DATA

MODEL	MOTOR 120 VAC 60 Hz			CUBIC FEET PER MINUTE									
	RPM	AMPS	HP	S.P.	0.00	0.05	0.10	0.15	0.20	0.25	0.30	0.40	0.50
CF-170	1400	0.7	1/75	CFM	158	151	144	137	129	120	111	94	78

RPM (Revolution Per Minute) shown is nominal and performance is based on actual speed of test. Unit was tested with inlet grille, backdraft damper and outlet duct.

SOUND RATING

OCTAVE BAND	1	2	3	4	5	6	7	8
CENTER FREQUENCY Hz	63	125	250	500	1000	2000	4000	8000
FULL-OCTAVE BAND SOUND PRESSURE LEVEL (dB)	53	59	49	49	45	42	34	24

Contractor:		CF-170 (QCF-170 US model)		
Architect:	Job:	Data	Supersedes	Drawing NO.
Engineer:	Date Submitted:			

Reversomatic Manufacturing Ltd.

790 Rowntree Dairy Road, Woodbridge, ON Canada L4L 5V3 • Tel: 905-851-6701 • Fax: 905-851-8376
 www.reversomatic.com • info@reversomatic.com



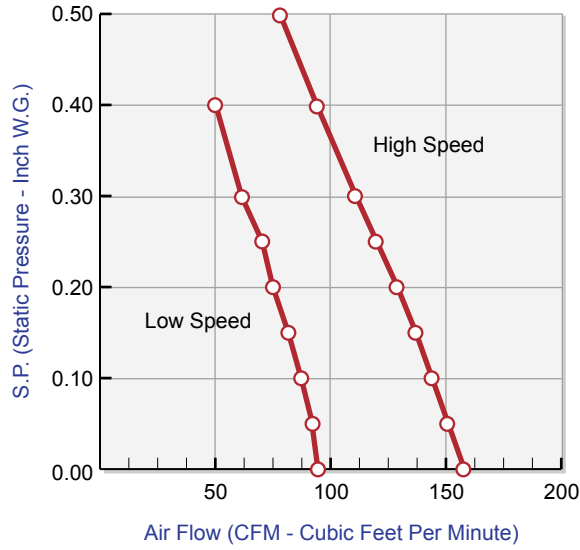
CF-170-2 (Two Speed)

Constant Ventilation Fan
MAY 2010

ULTRA QUIET EXHAUST FAN

The CF-170-2 fan is designed for high performance and quiet operation. This fan is equipped with specially designed mounting slots that allow for easy installation on concrete ceilings or wooden joists. It is constructed with corrosion resistant, heavy gauge satin coat steel. The CF-170-2 is available with 2 speed motor and 2 "ON" position switch for constant ventilation. One speed is always on. The fan is suitable for installation over bath tub or shower stall with GFCI protected branch circuit.

CF-170-2 FAN DATA



Hi-impact Polystyrene collar

White High Impact Styrene Grille

Off White Aluminum Grille

ACCESSORIES

Standard:

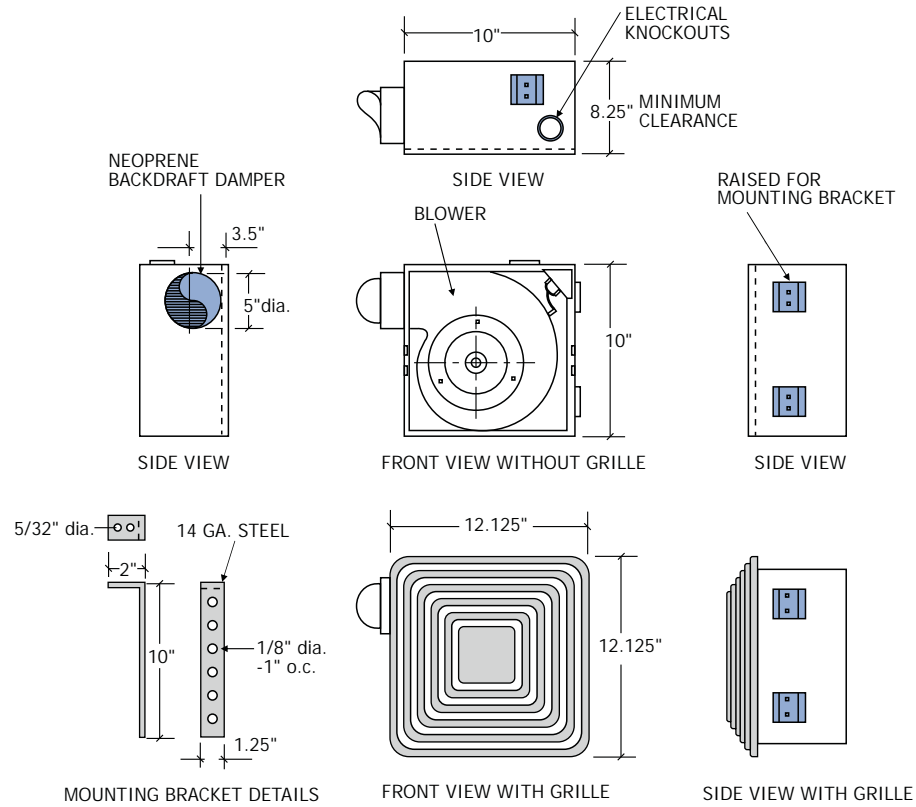
- Insulated housing
- Metal collar with neoprene damper
- Mounting brackets
- Aluminum or styrene grille

Optional:

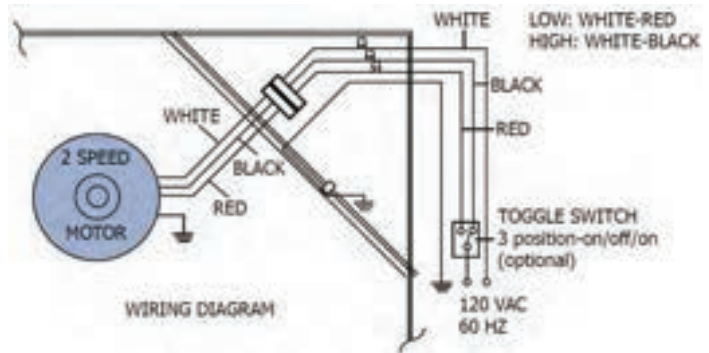
- Aluminum backdraft damper
- 3 position toggle switch (on/off/on)
- Hi-impact Polystyrene collar



CF-170-2 (Two Speed)



WIRING DIAGRAM:



HVI RATING:

**140 CFM @ 0.10" S.P., 2.5 Sones
(High Speed Only)**

FAN DATA

MODEL	MOTOR 120 VAC 60 Hz		CUBIC FEET PER MINUTE										SONE
	RPM	AMPS	S.P.	0.00	0.05	0.10	0.15	0.20	0.25	0.30	0.40	0.50	
CF-170-2	1400	0.7	CFM	158	151	144	137	129	120	111	94	78	@ 0.10
	1000	0.5	CFM	95	91	87	81	76	69	60	49	-	0.7

RPM (Revolution Per Minute) shown is nominal and performance is based on actual speed of test. Unit was tested with inlet grille, backdraft damper and outlet duct.

Contractor:		CF-170-2 (Two Speed)		
Architect:	Job:	Date	Supersedes	Drawing No.
Engineer:	Date Submitted:			

Reversomatic Manufacturing Ltd.

790 Rowntree Dairy Road, Woodbridge, ON Canada L4L 5V3 • Tel: 905-851-6701 • Fax: 905-851-8376
www.reversomatic.com • info@reversomatic.com



**XL SERIES
BATHROOM EXHAUST FAN**

The B-100 fan is specially designed for bathrooms in apartments which require exceptionally low noise levels. It is available with mounting brackets for easy installation. The B-100 is constructed of corrosion resistant heavy gauge satin coat steel.

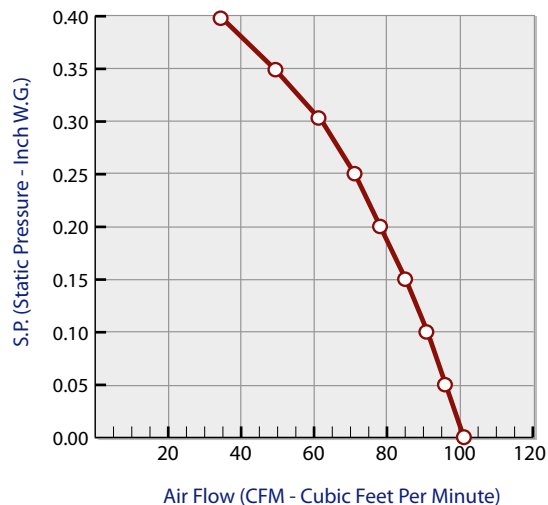


Plastic Backdraft Damper

White Aluminum Louvered Grille

High Impact Styrene Grille (optional)

B-100 FAN DATA



ACCESSORIES

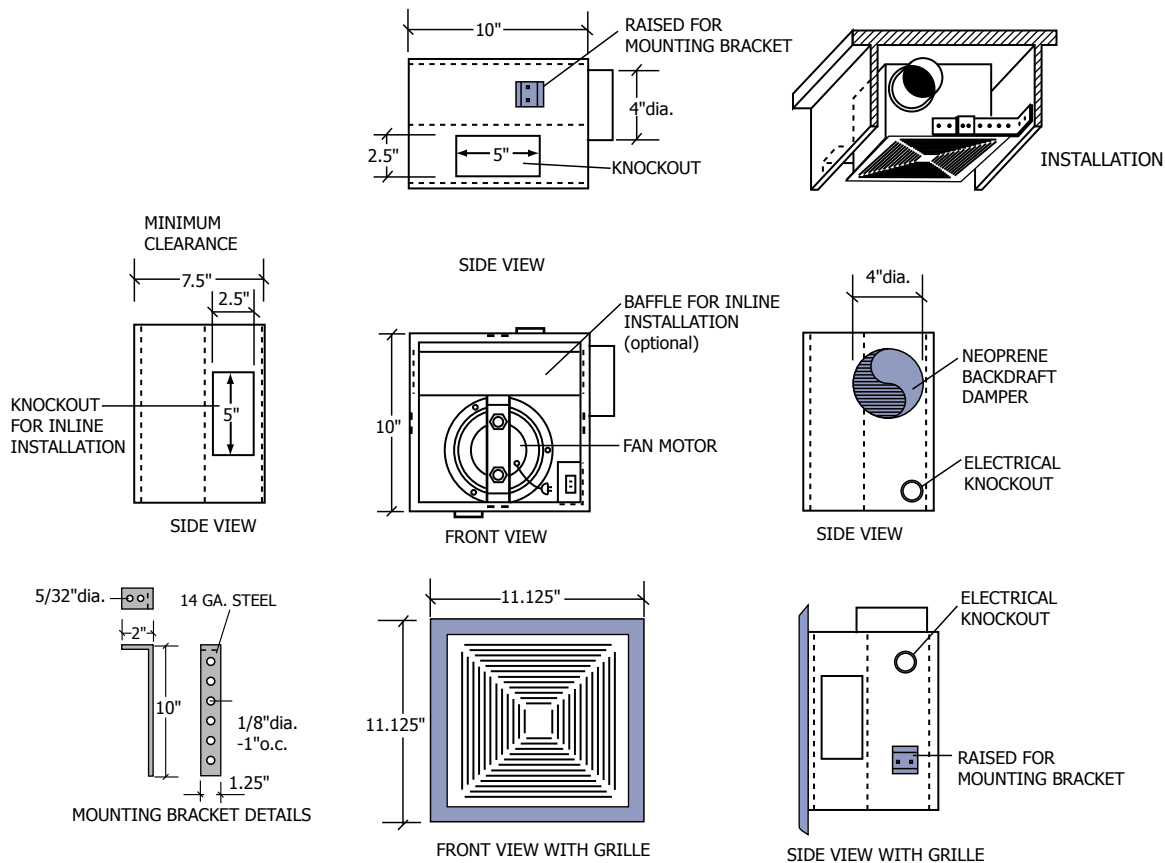
Standard:

- Mounting brackets
- Plastic backdraft damper or metal collar with neoprene damper
- White aluminum louvered grille

Optional:

- Variable speed control
- Aluminum backdraft damper
- Plastic snap-in grille
- Baffle
- Inline transition
- Balance box





FAN DATA

MODEL	MOTOR 120 VAC 60 Hz		CUBIC FEET PER MINUTE										Sones
	RPM	AMPS	S.P.	0.00	0.05	0.10	0.15	0.20	0.25	0.30	0.35	0.40	
B-100	1400	0.60	CFM	102	97	92	86	79	72	63	50	35	3.0

RPM (Revolution Per Minute) shown is nominal and performance is based on actual speed of test. Unit was tested with inlet grille, backdraft damper and outlet duct.

SOUND RATING

OCTAVE BAND		1	2	3	4	5	6	7	8
CENTER FREQUENCY Hz		63	125	250	500	1000	2000	4000	8000
STATIC PRESSURE INCH W.G.	0.00	62.3	55.0	56.5	56.6	54.5	46.6	48.9	49.7
	0.19	60.2	54.7	53.5	53.8	52.3	44.0	45.6	47.0
	0.41	62.2	54.5	51.6	49.6	46.1	40.5	43.4	49.7

The sound power level ratings shown are in decibels, referred to 10⁻¹² watts calculated per AMCA Standard 301. Values shown are for inlet Lwi sound power levels for installation Type B: free inlet, ducted outlet. Ratings do not include the effects of duct end correction.

Contractor:		B-100		
Architect:	Job:	Data	Supersedes	Drawing NO.
Engineer:	Date Submitted:			

Reversomatic Manufacturing Ltd.

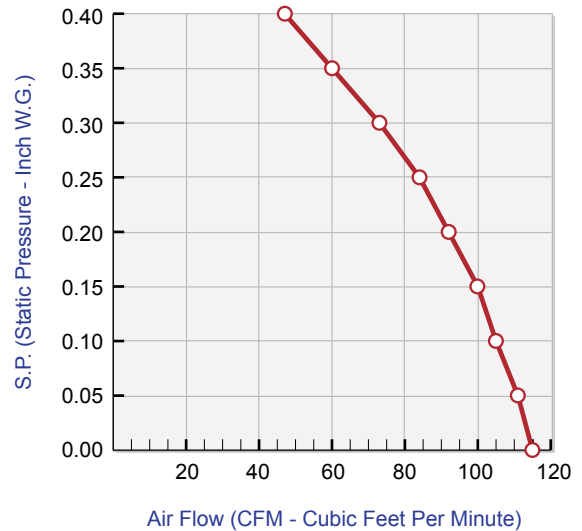


**XL SERIES
BATHROOM EXHAUST FAN**

The QB-100S fan is specially designed for bathrooms in apartments which require exceptionally low noise levels. The cabinet is insulated. It is available with mounting brackets for easy installation. The QB-100S is constructed of corrosion resistant heavy gauge satin coat steel.



QB-100S FAN DATA



ACCESSORIES

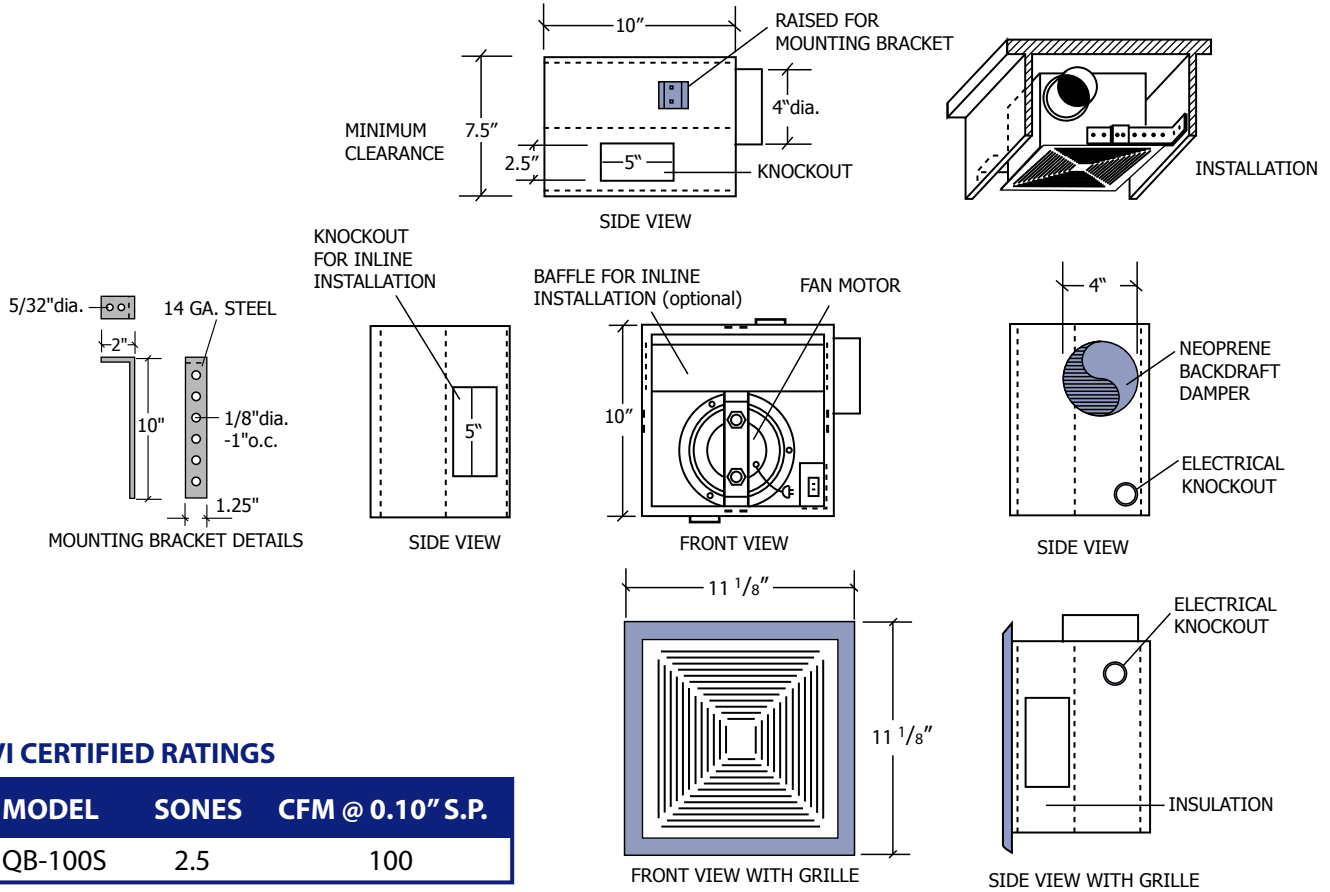
Standard:

- Mounting brackets
- Metal collar with neoprene damper
- White aluminum louvered grille
- Insulated housing (QB-100S only)

Optional:

- Hi-Impact Polystyrene Collar
- Variable speed control
- Aluminum backdraft damper
- White High Impact Styrene Grille
- Inline transition
- Balance box
- Baffle





HVI CERTIFIED RATINGS

MODEL	SONES	CFM @ 0.10" S.P.
QB-100S	2.5	100

FAN DATA

MODEL	MOTOR 120 VAC 60 Hz		CUBIC FEET PER MINUTE									
	RPM	AMPS	S.P.	0.00	0.05	0.10	0.15	0.20	0.25	0.30	0.35	0.40
QB-100S	1400	0.60	CFM	115	111	105	100	92	84	73	60	47

RPM (Revolution Per Minute) shown is nominal and performance is based on actual speed of test. Unit was tested with inlet grille, backdraft damper and outlet duct.

SOUND RATING

OCTAVE BAND		1	2	3	4	5	6	7	8
CENTER FREQUENCY Hz		63	125	250	500	1000	2000	4000	8000
STATIC PRESSURE INCH W.G.	0.00	62	55	56	57	55	47	49	50
	0.19	60	55	54	54	52	44	46	47
	0.41	62	55	52	50	46	41	43	50

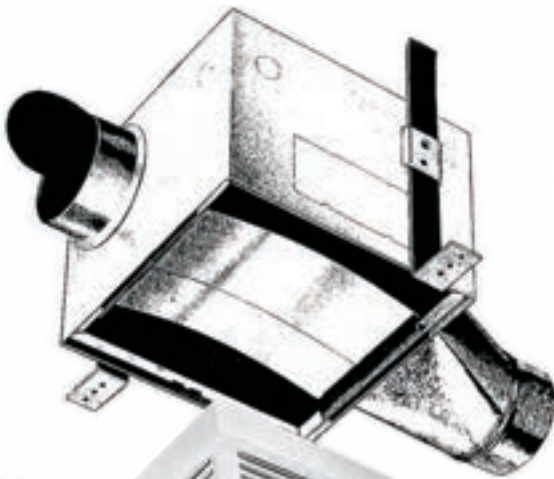
The sound power level ratings shown are in decibels, referred to 10^{-12} watts calculated per AMCA Standard 301. Values shown are for inlet Lwi sound power levels for installation Type B: free inlet, ducted outlet. Ratings do not include the effects of duct end correction.

Contractor:		QB-100S		
Architect:	Job:	Data	Supersedes	Drawing NO.
Engineer:	Date Submitted:			

Reversomatic Manufacturing Ltd.

EXHAUST FAN FOR TWO BATHROOMS

The BB-100 fan is specially designed to exhaust two bathrooms, using the REVERSOMATIC balancing box for the 2nd washroom. The fan is equipped with transition and baffle for air balancing. It is also constructed of corrosion resistant heavy gauge satin coat steel.



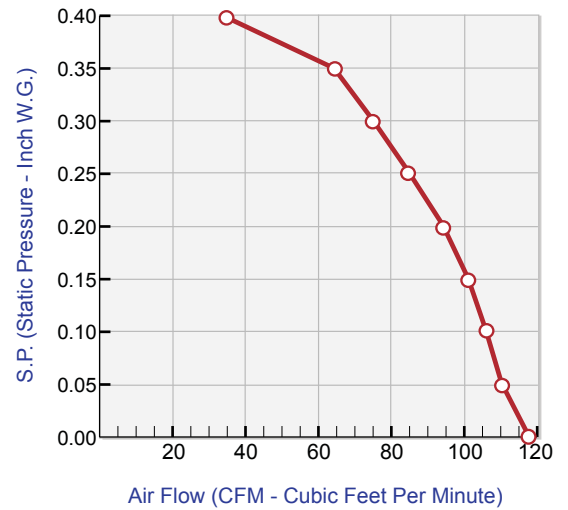
Plastic Backdraft Damper



White Aluminum Louvered Grille

High Impact Styrene Grille (optional)

BB-100 FAN DATA



ACCESSORIES

Standard

- Mounting brackets
- Plastic backdraft damper or metal collar with neoprene damper
- White aluminum louvered grille

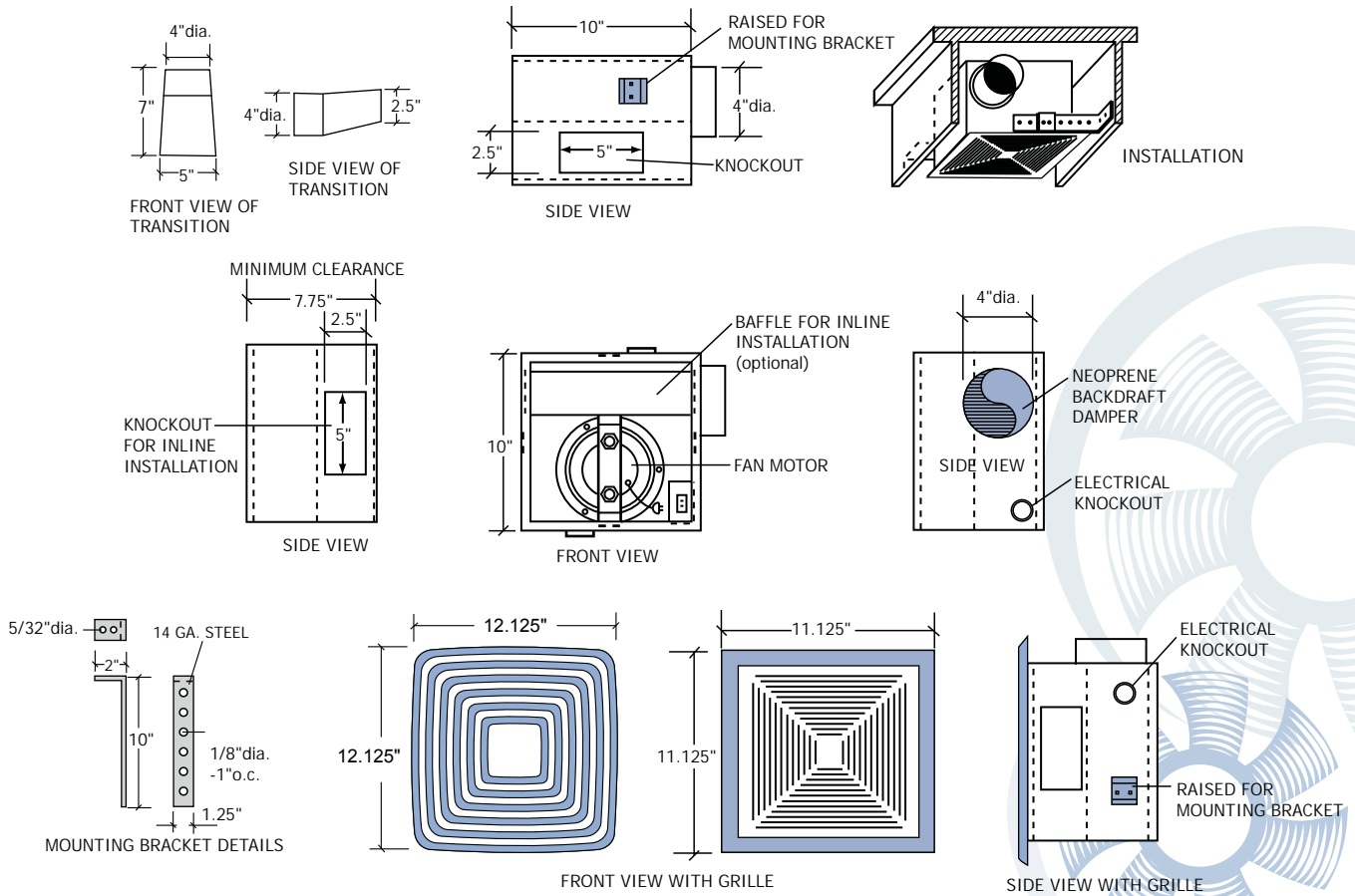
Optional:

- Variable speed control
- Aluminum backdraft damper
- Plastic snap-in grille
- Baffle
- Inline transition
- Balance box



Reversomatic Manufacturing Ltd.

790 Rowntree Dairy Road, Woodbridge, ON Canada L4L 5V3 • Tel: 905-851-6701 • Fax: 905-851-8376
www.reversomatic.com • info@reversomatic.com



MODEL	MOTOR 120 VAC 60 Hz			CUBIC FEET PER MINUTE										
	RPM	AMPS	HP	S.P.	0.00	0.05	0.10	0.15	0.20	0.25	0.30	0.35	0.40	Sones
BB-100	1650	1.00	5/32	CFM	118	113	108	101	93	84	75	65	35	3.5

RPM (Revolution Per Minute) shown is nominal and performance is based on actual speed of test. Unit was tested with inlet grille, backdraft damper and outlet duct.

OCTAVE BAND		1	2	3	4	5	6	7	8
CENTER FREQUENCY Hz		63	125	250	500	1000	2000	4000	8000
STATIC PRESSURE INCH W.G.	0.00	65.2	59.7	59.6	58.1	58.1	49.7	52.1	50.4
	0.19	64.9	59.7	57.9	55.6	59.8	46.5	48.0	45.5
	0.41	65.2	59.3	56.1	51.7	49.8	41.0	40.9	42.6

The sound power level ratings shown are in decibels, referred to 10⁻¹² watts calculated per AMCA Standard 301. Values shown are for inlet Lwi sound levels for installation Type B: free inlet, ducted outlet. Ratings do not include the effects of duct end correction.

Contractor:	BB-100		
Architect:	Job:	Date	Supersedes
Engineer:	Date Submitted:		Drawing No.



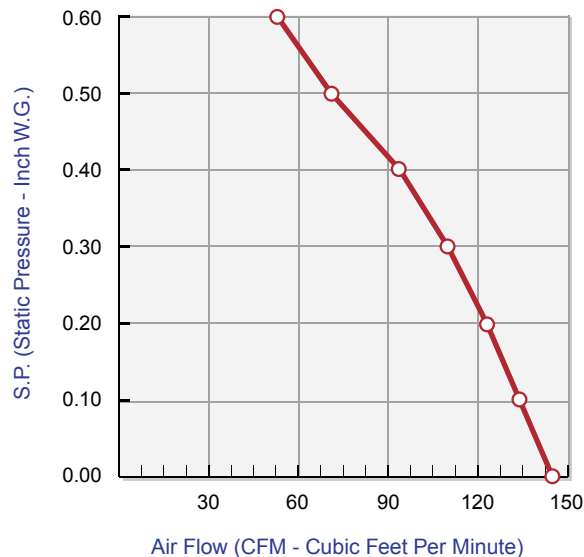
QCF-150 (CFS-150 US model)

February, 2008

SUPER QUIET EXHAUST FANS

The QCF-150 fan is designed for high performance and super quiet operation. This fan is equipped with uniquely designed mounting slots that allow for easy installation on concrete ceiling or wooden joists. The QCF-150 is constructed with corrosion resistant, heavy gauge satin coat steel. The QCF-150 fan is suitable for installation over bath tub or shower stall with GFCI protected branch circuit. It also meet Washington State Ventilation and Indoor Air Quality code.

QCF-150 FAN DATA



Plastic Backdraft Damper

Standard Slotted White Grille

Optional Louvered Grille (13" x 13")

Optional Aluminum Louvered Grille (13" x 13")

ACCESSORIES

Standard:

- Insulated housing
- Slotted white grille
- Mounting brackets
- Metal collar with neoprene damper

Optional:

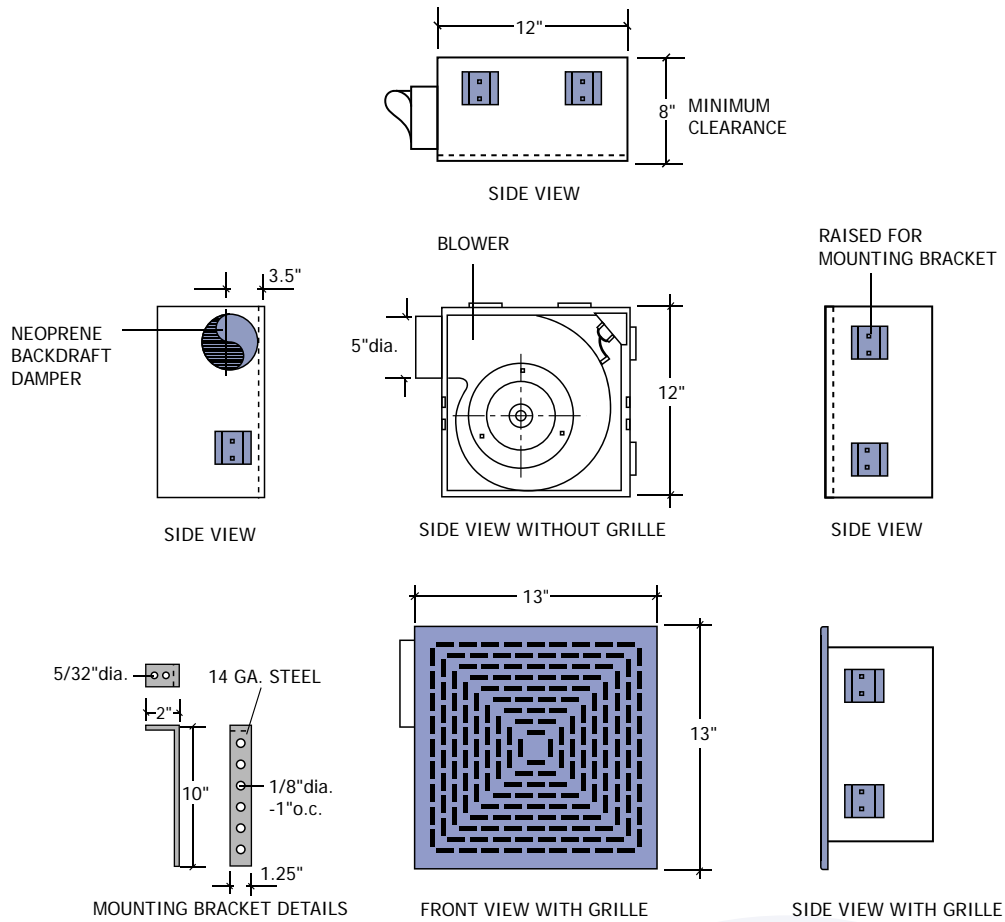
- Variable speed control
- Aluminum backdraft damper
- Hi-Impact Polystyrene Collar



Reversomatic Manufacturing Ltd.

790 Rowntree Dairy Road, Woodbridge, ON Canada L4L 5V3 • Tel: 905-851-6701 • Fax: 905-851-8376
www.reversomatic.com • info@reversomatic.com

QCF-150 (CFS-150 US model)



HVI CERTIFIED RATINGS

MODEL	SONES	CFM @ 0.10" S.P.
QCF-150	2.5	130

FAN DATA

MODEL	MOTOR 120 VAC 60 Hz			CUBIC FEET PER MINUTE						
	RPM	AMPS	S.P.	0.00	0.10	0.20	0.30	0.40	0.50	0.60
QCF-150	1100	1.0	CFM	145	134	123	110	94	71	53

RPM (Revolution Per Minute) shown is nominal and performance is based on actual speed of test.
Unit was tested with inlet grille, backdraft damper and outlet duct.

Contractor:		QCF-150		
Architect:	Job:	Data	Supersedes	Drawing NO.
Engineer:	Date Submitted:			

Reversomatic Manufacturing Ltd.

790 Rowntree Dairy Road, Woodbridge, ON Canada L4L 5V3 • Tel: 905-851-6701 • Fax: 905-851-8376
www.reversomatic.com • info@reversomatic.com



**XL SERIES
KITCHEN/BATHROOM EXHAUST FAN**

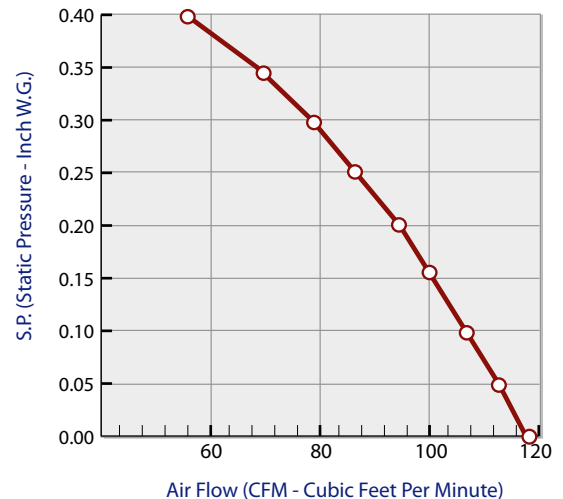
The K-100 fan is specially designed to provide powerful and effective ventilation in the kitchen. However, it can also be used for bathroom exhaust by eliminating the aluminum mesh washable grease filter. It is also available with mounting brackets for easy installation. The K-100 fan is constructed of corrosion resistant heavy gauge satin coat steel.



IMPORTANT:
Aluminum Mesh Grease Filter is optional & must be installed for kitchen use.

White Aluminum Louvered Grille

K-100 FAN DATA



ACCESSORIES

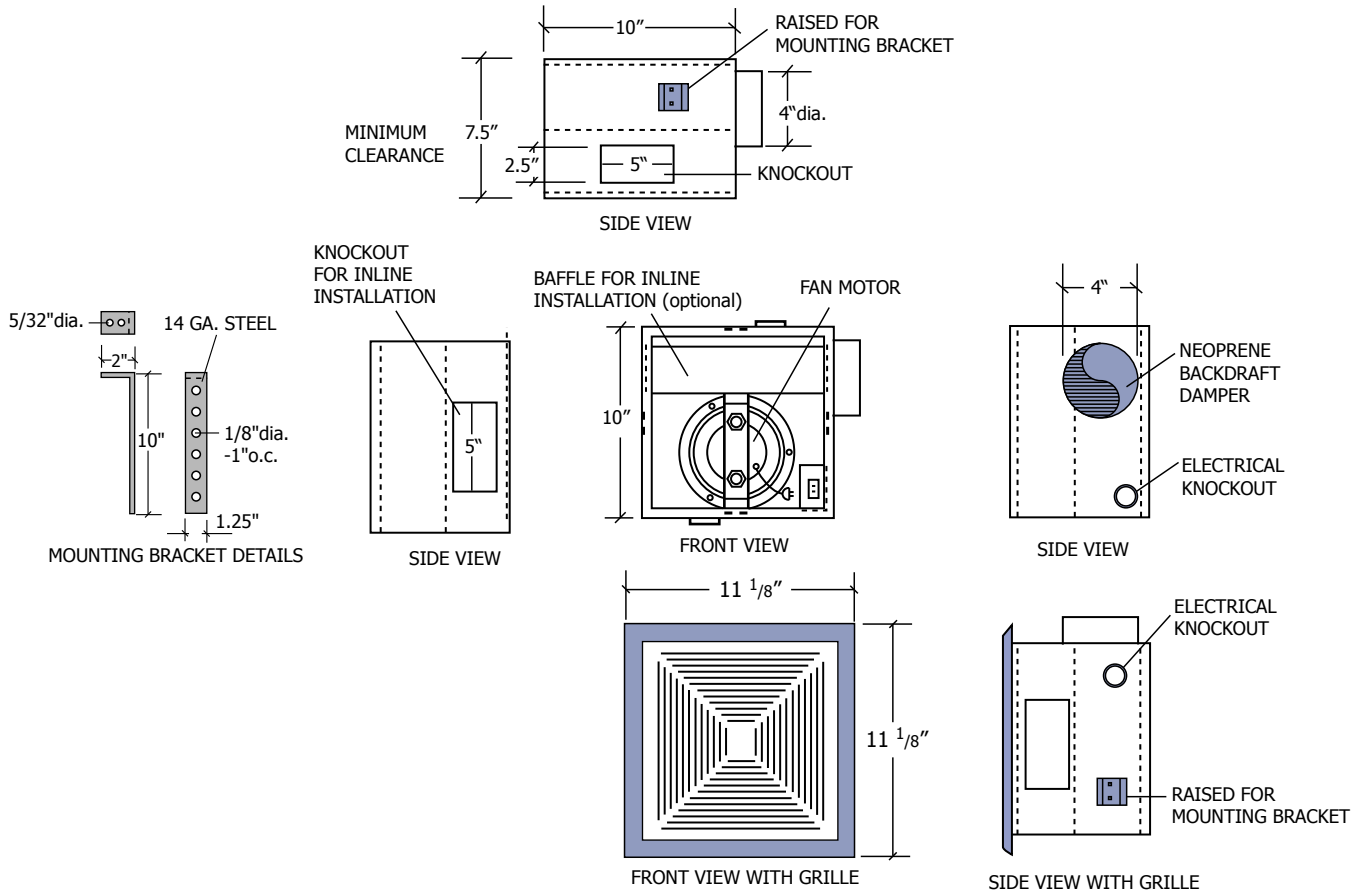
Standard:

- Mounting brackets
- White aluminum louvered grille

Optional:

- Variable speed control
- Aluminum backdraft damper
- Aluminum mesh grease filter
- Baffle
- Inline transition
- Balance box





FAN DATA

MODEL	MOTOR 120 VAC 60 Hz		CUBIC FEET PER MINUTE										Sones
	RPM	AMPS	S.P.	0.00	0.05	0.10	0.15	0.20	0.25	0.30	0.35	0.40	
K-100	1650	0.90	CFM	119	114	108	102	96	88	80	70	57	3.3

RPM (Revolution Per Minute) shown is nominal and performance is based on actual speed of test. Unit was tested with inlet grille, backdraft damper and outlet duct.

SOUND RATING

OCTAVE BAND		1	2	3	4	5	6	7	8
CENTER FREQUENCY Hz		63	125	250	500	1000	2000	4000	8000
STATIC PRESSURE INCH W.G.	0.00	62.4	62.8	57.9	59.6	57.8	49.5	51.1	52.4
	0.21	65.3	61.1	55.0	56.7	54.1	45.1	44.9	47.7
	0.41	62.5	62.2	53.9	55.7	51.2	43.1	42.2	50.8

The sound power level ratings shown are in decibels, referred to 10^{-12} watts calculated per AMCA Standard 301. Values shown are for inlet Lwi sound power levels for installation Type B: free inlet, ducted outlet. Ratings do not include the effects of duct end correction.

Contractor:	K-100 (QB-120 US model)			
Architect:	Job:	Data	Supersedes	Drawing NO.
Engineer:	Date Submitted:			

Reversomatic Manufacturing Ltd.

790 Rowntree Dairy Road, Woodbridge, ON Canada L4L 5V3 • Tel: 905-851-6701 • Fax: 905-851-8376
www.reversomatic.com • info@reversomatic.com



**XL SERIES
KITCHEN/BATHROOM EXHAUST FAN**

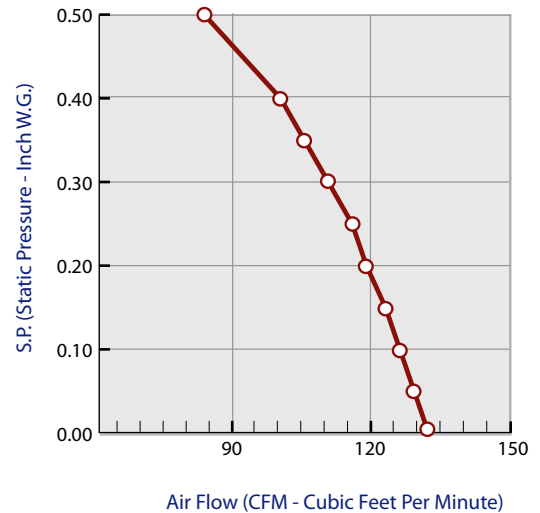
The QK-100 fan is specially designed to provide powerful and effective ventilation in the kitchen. However, it can also be used for bathroom exhaust by eliminating the aluminum mesh washable grease filter. It is also available with mounting brackets for easy installation. The QK-100 fan is constructed of corrosion resistant heavy gauge satin coat steel.



IMPORTANT:
Aluminum Mesh
Grease Filter is optional &
must be installed for kitchen use

White Aluminum
Louvered Grille

QK-100 FAN DATA



ACCESSORIES

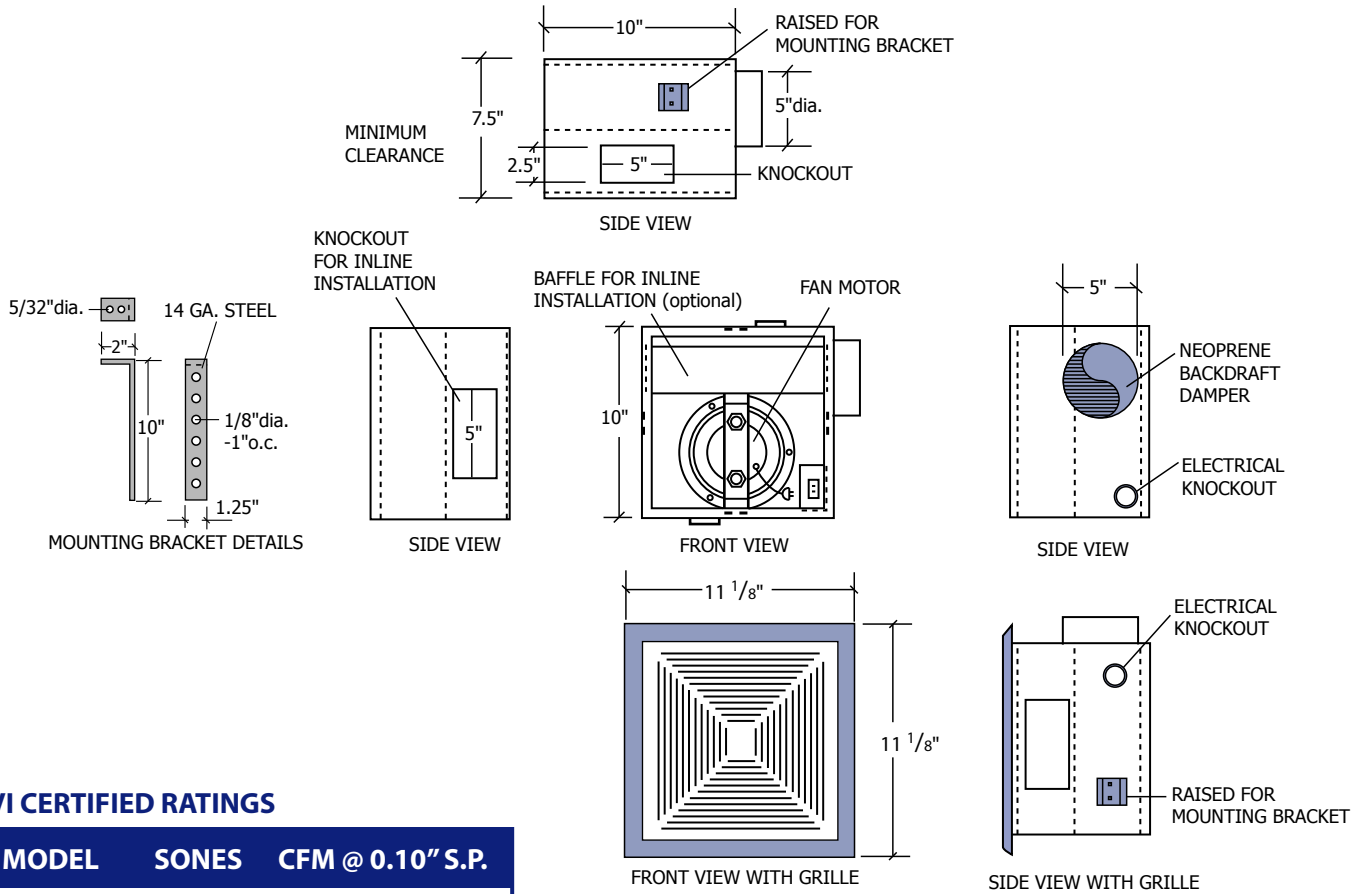
Standard:

- Mounting brackets
- White aluminum louvered grille

Optional:

- Variable speed control
- Aluminum backdraft damper
- Aluminum mesh grease filter
- Baffle
- Inline transition
- Balance box





HVI CERTIFIED RATINGS

MODEL	SONES	CFM @ 0.10" S.P.
QK-100	4.5	130

FAN DATA

MODEL	MOTOR 120 VAC 60 Hz			CUBIC FEET PER MINUTE									
	RPM	AMPS	S.P.	0.00	0.05	0.10	0.15	0.20	0.25	0.30	0.35	0.40	0.50
QK-100	1050	0.90	CFM	129	126	123	120	116	113	108	103	98	82

RPM (Revolution Per Minute) shown is nominal and performance is based on actual speed of test. Unit was tested with inlet grille, backdraft damper and outlet duct.

SOUND RATING

OCTAVE BAND		1	2	3	4	5	6	7	8
CENTER FREQUENCY Hz		63	125	250	500	1000	2000	4000	8000
STATIC PRESSURE INCH W.G.	0.00	63.6	57.2	58.3	59.0	56.5	49.5	47.7	51.6
	0.29	63.7	56.0	56.3	57.1	54.5	47.5	45.7	50.6
	0.60	64.0	58.0	55.4	55.2	51.8	49.1	46.9	49.1

The sound power level ratings shown are in decibels, referred to 10⁻¹² watts calculated per AMCA Standard 301. Values shown are for inlet Lwi sound power levels for installation Type B: free inlet, ducted outlet. Ratings do not include the effects of duct end correction.

Contractor:	QK-100 (QB-150 US model)			
Architect:	Job:	Data	Supersedes	Drawing NO.
Engineer:	Date Submitted:			

Reversomatic Manufacturing Ltd.



XL SERIES BATHROOM AND KITCHEN EXHAUST FAN

The BK-100 is designed to exhaust one bathroom and one kitchen. However, it can also be used for two bathroom exhaust by eliminating the aluminum mesh washable grease filter. The fan is available with mounting brackets for easy installation. It is also constructed of corrosion resistant heavy gauge satin coat steel.



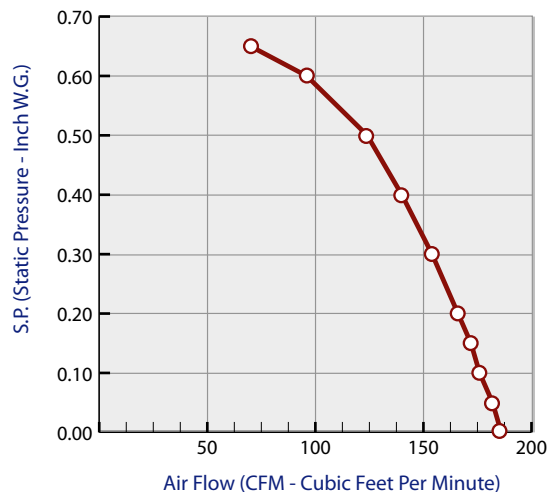
Plastic Backdraft Damper

IMPORTANT:

Aluminum Mesh Grease Filter is optional & must be installed for kitchen use.

White Aluminum Louvered Grille

BK-100 FAN DATA



ACCESSORIES

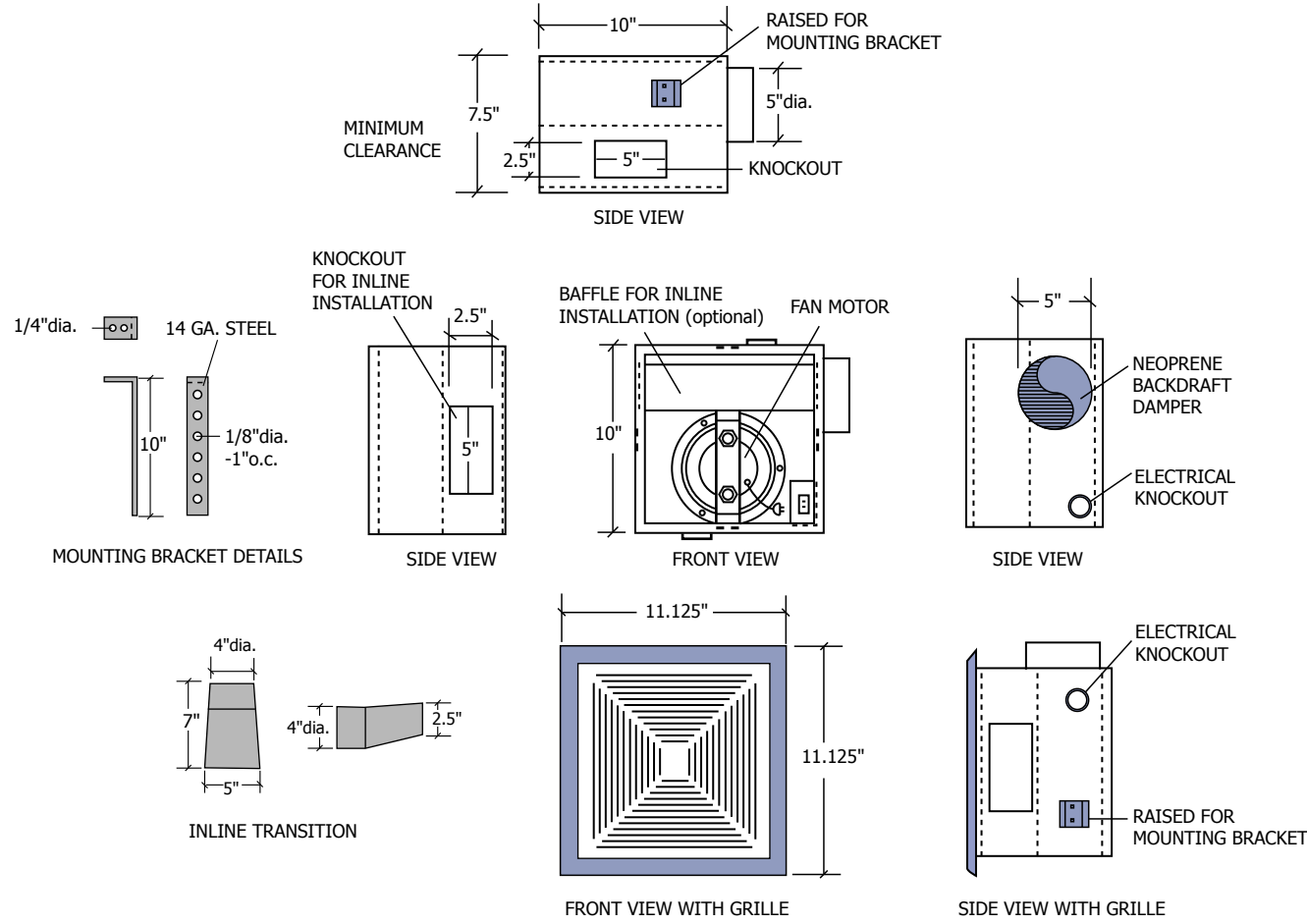
Standard:

- Mounting brackets
- Off white aluminum louvered grille

Optional:

- Balance box
- Variable speed control
- Aluminum backdraft damper
- Aluminum mesh grease filter
- Baffle
- Inline transition





FAN DATA

MODEL	MOTOR 120 VAC 60 Hz		CUBIC FEET PER MINUTE										SONES	
	RPM	AMPS	S.P.	0.00	0.05	0.10	0.15	0.20	0.30	0.40	0.50	0.60		0.65
BK-100	1550	1.4	CFM	186	182	176	172	166	154	140	124	96	70	4.5

RPM (Revolution Per Minute) shown is nominal and performance is based on actual speed of test. Unit was tested with inlet grille, backdraft damper and outlet duct.

SOUND RATING

OCTAVE BAND		1	2	3	4	5	6	7	8
CENTER FREQUENCY Hz		63	125	250	500	1000	2000	4000	8000
STATIC PRESSURE INCH W.G.	0.00	63.3	64.9	61.4	63.8	61.3	56.5	55.1	51.9
	0.34	64.6	66.4	59.2	60.3	56.0	53.1	51.3	47.5
	0.70	72.5	68.4	58.6	59.0	54.1	49.3	45.6	41.8

The sound power level ratings shown are in decibels, referred to 10⁻¹² watts calculated per AMCA Standard 301. Values shown are for inlet Law sound power levels for installation Type B: free inlet, ducted outlet. Ratings do not include the effects of duct end correction.

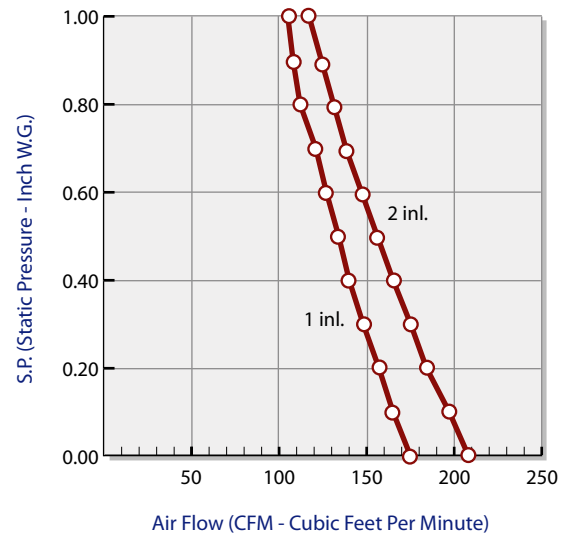
Contractor:	BK-100 (QB-200 US model)			
Architect:	Job:	Data	Supersedes	Drawing NO.
Engineer:	Date Submitted:			

GENERAL PURPOSE INLINE AND DRYER EXHAUST FANS

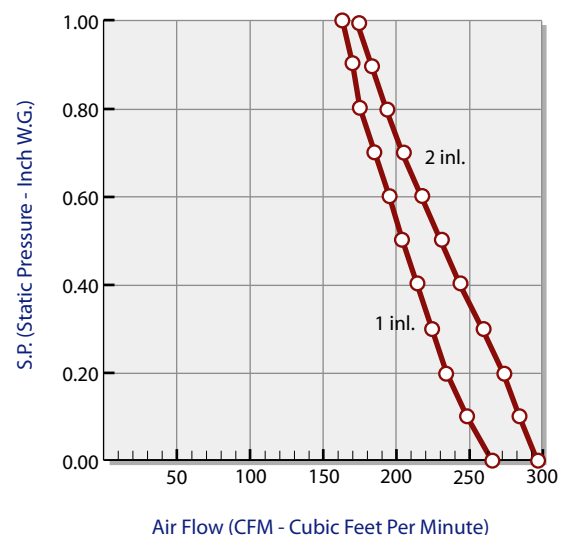
- Self cleaning, non overloading wheel.
- Engineered for quiet continuous operation making it perfect for general purpose ventilation and dryer exhaust application.
- Low profile construction simplifies installation in those tight spaces.
- Built with a well balanced motor impeller assembly, and a backward inclined wheel for smooth quiet operation.
- High efficiency motor.
- Optional hinged impeller for ease of cleaning and maintenance.
- Available with one, two and three inlets.
- Fan housing constructed of heavy gauge satin coat galvanized steel finish.
- The logical choice for use in high-rise condominium applications.
- Also meet Washington State Ventilation and Indoor Air Quality Code.



TLD-200 (1 inlet & 2 inlets) FAN DATA

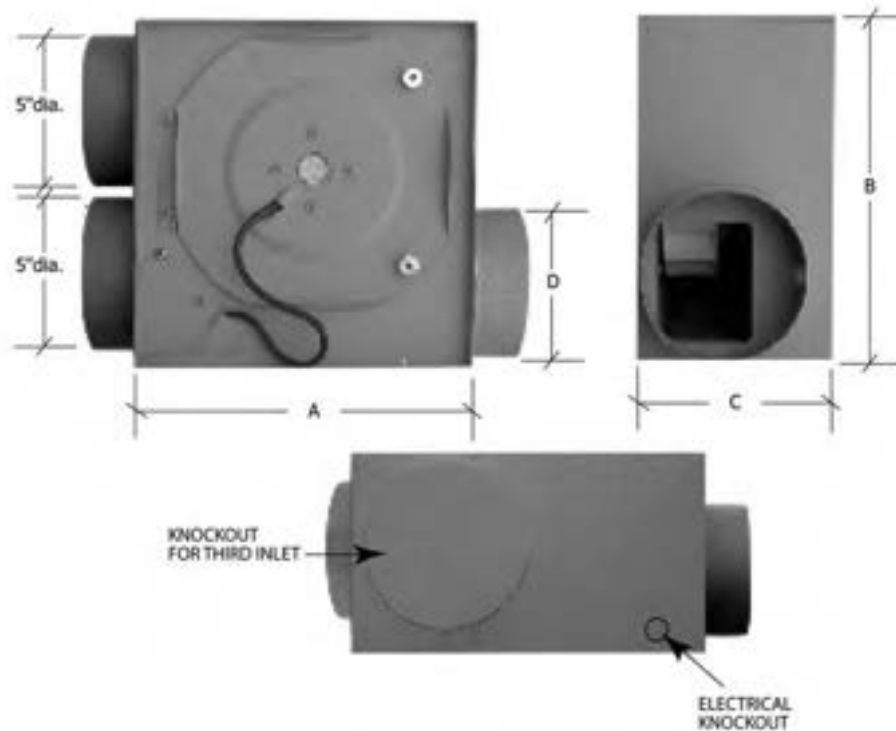


TLD-300 (1 inlet & 2 inlets) FAN DATA



Reversomatic Manufacturing Ltd.

790 Rowntree Dairy Road, Woodbridge, ON Canada L4L 5V3 • Tel: 905-851-6701 • Fax: 905-851-8376
www.reversomatic.com • info@reversomatic.com



Also available in stainless steel construction for gas dryer.

HVI CERTIFIED RATINGS

MODEL	CFM @ 0.20" S.P.
TLD-200 (2 inlets)	180
TLD-300 (2 inlets)	270

DIMENSION DATA

FAN TYPE	A	B	C	D
TLD-200	10.5	11	6	5
TLD-300	12	12	8	6

All dimensions are shown in inches.

FAN DATA

MODEL	MOTOR 120 VAC 60 Hz		CUBIC FEET PER MINUTE											
	RPM	AMPS	S.P.	0.00	0.10	0.20	0.30	0.40	0.50	0.60	0.70	0.80	0.90	1.00
TLD-200 (1 inlet)	2500	0.70	CFM	175	165	157	148	140	134	127	121	112	108	105
TLD-200 (2 inlets)	2500	0.70	CFM	208	197	184	175	165	156	147	138	131	124	117
TLD-300 (1 inlet)	2550	1.00	CFM	265	248	234	224	214	204	195	185	175	170	163
TLD-300 (2 inlets)	2550	1.00	CFM	292	280	269	255	240	227	214	201	190	180	170

RPM (Revolution Per Minute) shown is nominal and performance is based on actual speed of test.

Contractor:	TLD-200, TLD-300		
Architect:	Job:	Data	Supersedes
Engineer:	Date Submitted:		Drawing NO.

Reversomatic Manufacturing Ltd.

790 Rowntree Dairy Road, Woodbridge, ON Canada L4L 5V3 • Tel: 905-851-6701 • Fax: 905-851-8376
 www.reversomatic.com • info@reversomatic.com

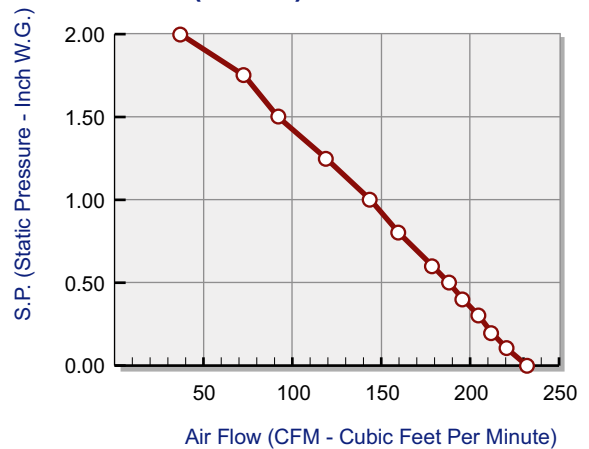


GENERAL PURPOSE INLINE AND DRYER EXHAUST FAN

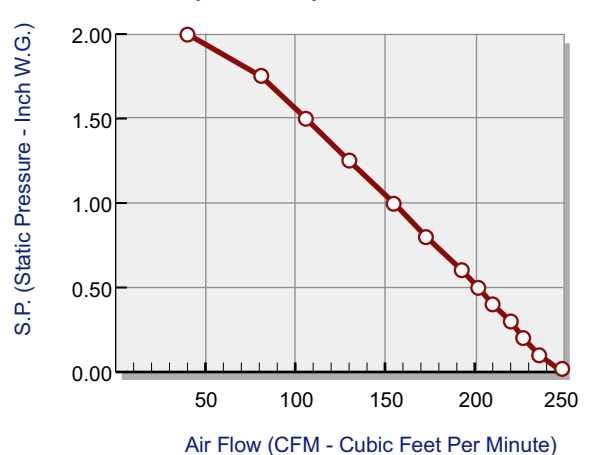
- Self cleaning, non overloading wheel.
- Engineered for quiet continuous operation making it perfect for general purpose ventilation and dryer exhaust application.
- Low profile construction simplifies installation in those tight spaces.
- Built with a well balanced motor impeller assembly, and a backward inclined wheel for smooth quiet operation.
- High efficiency motor.
- Hinged impeller for ease of cleaning and maintenance.
- Available with one, two and three inlets.
- Fan housing constructed of heavy gauge satin coat galvanized steel finish.
- The logical choice for use in high-rise condominium applications.
- Certified by California Energy Commission in accordance with California Law - Title 20.
- Also meets Washington State Ventilation and Indoor Air Quality Code.



TLD-200ES (1 inlet) FAN DATA

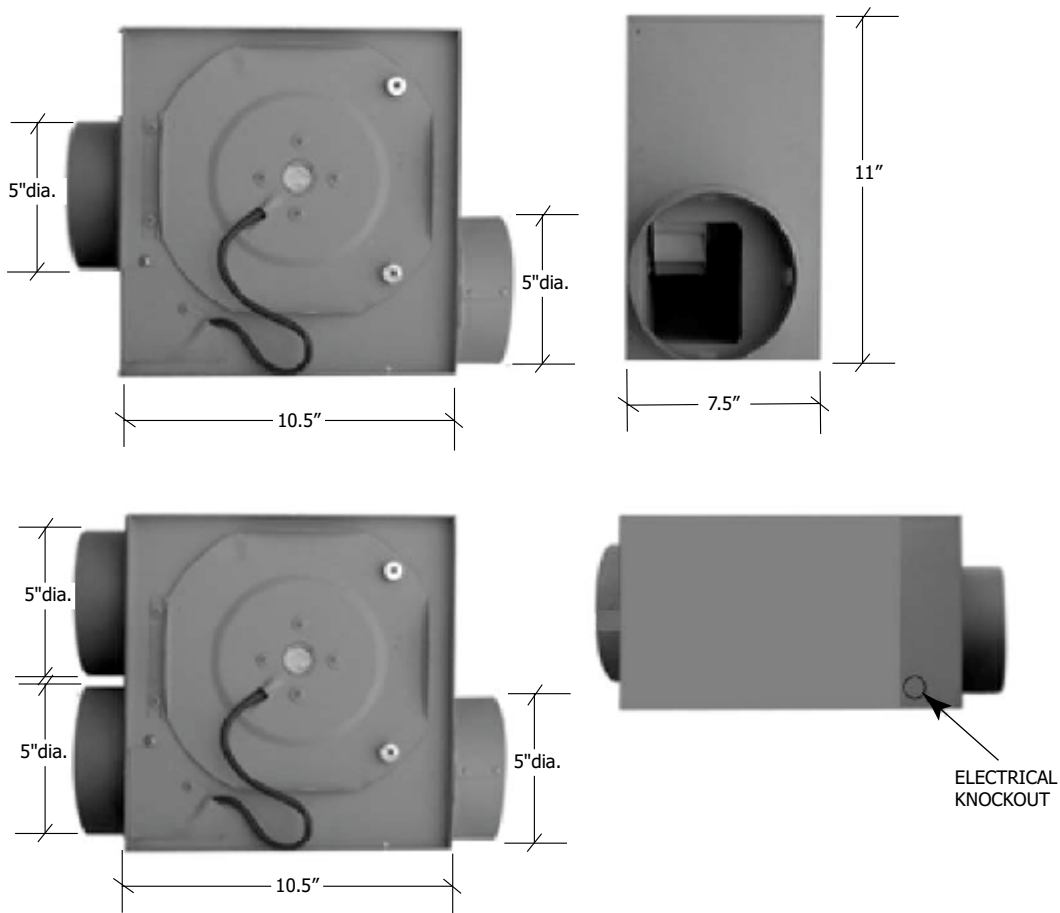


TLD-200ES (2 inlets) FAN DATA



Reversomatic Manufacturing Ltd.

790 Rowntree Dairy Road, Woodbridge, ON Canada L4L 5V3 • Tel: 905-851-6701 • Fax: 905-851-8376
www.reversomatic.com • info@reversomatic.com



Also available in stainless steel construction for gas dryer.

HVI CERTIFIED RATINGS

MODEL	CFM @ 0.20SP.
TLD-200ES (2 inlets)	220

FAN DATA

MODEL	MOTOR 120 VAC 60 Hz			CUBIC FEET PER MINUTE													
	RPM	AMPS	WATTS	S.P.	0.00	0.10	0.20	0.30	0.40	0.50	0.60	0.80	1.00	1.25	1.50	1.75	2.00
TLD-200ES (1 inlet)	2500	0.70	78	CFM	232	221	212	205	196	188	179	160	144	119	92	73	37
TLD-200ES (2 inlets)	2500	0.70	78	CFM	249	236	227	220	210	202	193	173	155	130	106	81	40

RPM (Revolution Per Minute) shown is nominal and performance is based on actual speed of test.

Contractor:		TLD-200ES		
Architect:	Job:	Data	Supersedes	Drawing NO.
Engineer:	Date Submitted:			

Reversomatic Manufacturing Ltd.

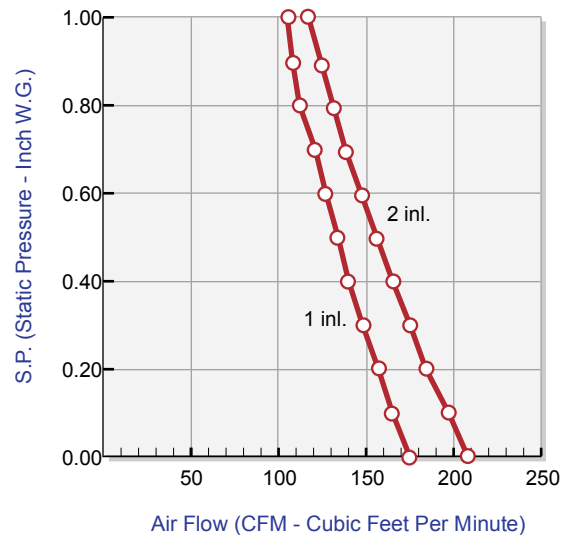
790 Rowntree Dairy Road, Woodbridge, ON Canada L4L 5V3 • Tel: 905-851-6701 • Fax: 905-851-8376
 www.reversomatic.com • info@reversomatic.com

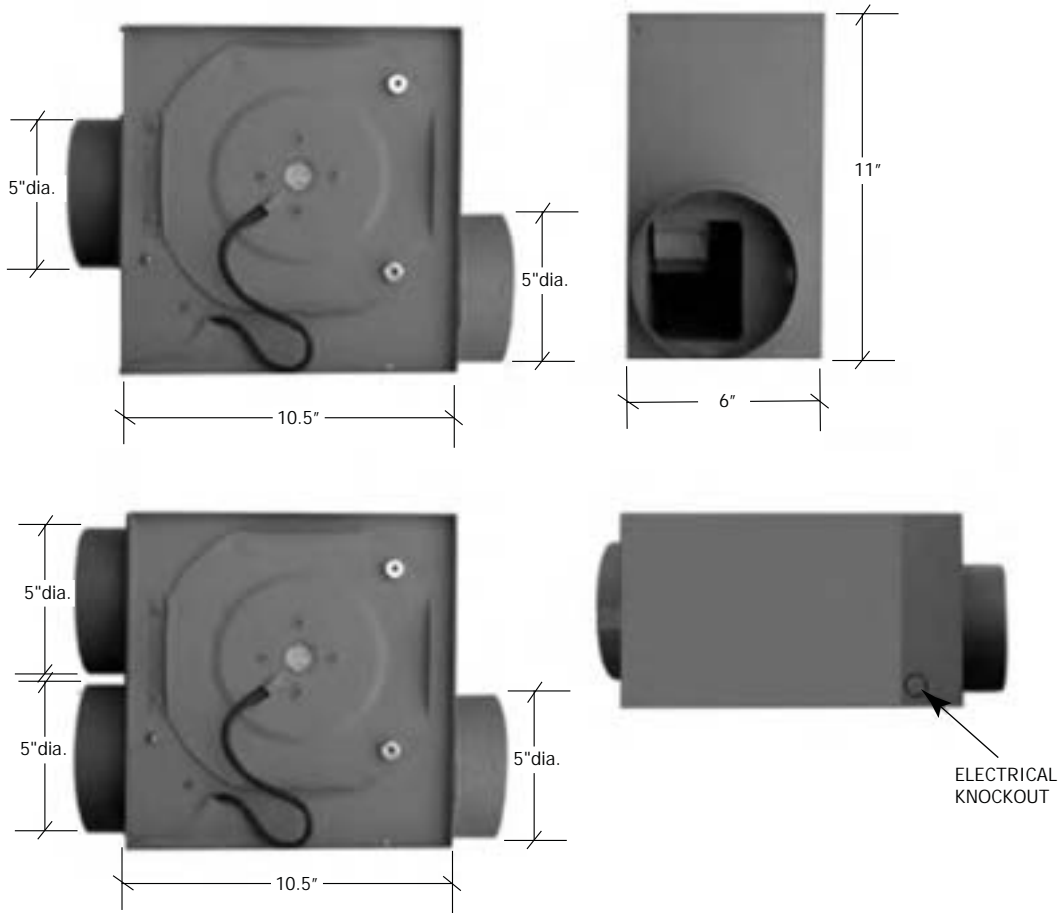


GENERAL PURPOSE INLINE AND DRYER EXHAUST FAN

- Self cleaning, non overloading wheel.
- Engineered for quiet continuous operation making it perfect for general purpose ventilation and dryer exhaust application.
- Low profile construction simplifies installation in those tight spaces.
- Built with a well balanced motor impeller assembly, and a backward inclined wheel for smooth quiet operation.
- High efficiency motor.
- Optional hinged impeller for ease of cleaning and maintenance.
- Available with one, two and three inlets.
- Fan housing constructed of heavy gauge satin coat galvanized steel finish.
- The logical choice for use in high-rise condominium applications.
- 1 year warranty

TLD-200 (1 inlet & 2 inlets) FANDATA





HVI CERTIFIED RATINGS

MODEL	CFM @ 0.20 SP.
TLD-200BC (2 inlets)	180

FAN DATA

MODEL	MOTOR 120 VAC 60 Hz			CUBIC FEET PER MINUTE											
	RPM	AMPS	WATTS	0.00	0.10	0.20	0.30	0.40	0.50	0.60	0.70	0.80	0.90	1.00	
TLD-200BC (1 inlet)	2500	0.70	78	CFM 175	165	157	148	140	134	127	121	112	108	105	
TLD-200BC (2 inlets)	2500	0.70	78	CFM 208	197	184	175	165	156	147	138	131	124	117	

RPM (Revolution Per Minute) shown is nominal and performance is based on actual speed of test.

Contractor:	TLD-200BC		
Architect:	Date	Supersedes	Drawing No.
Engineer:			



DRYER BOOSTER FANS - Manual & Fully Automatic

Components and Accessories for any installation

HAVE PEACE OF MIND
GET YOUR DRYER BOOSTER FAN TURNED ON AUTOMATICALLY
NEW option when you are installing Dryer Booster Fans



RI-150, 200, 250



PWS-100, 200, 300



TLD-200

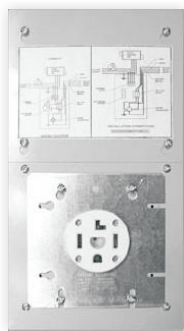


Reversomatic Manufacturing Ltd.

790 Rowntree Dairy Road, Woodbridge, ON Canada L4L 5V3 • Tel: 905-851-6701 • Fax: 905-851-8376
www.reversomatic.com • info@reversomatic.com

AUTOMATIC START FOR DRYER BOOSTER FANS

Accessories



DSC300

DSC300 (Dryer Starter Control Box)

Dryer Starter Control box DSC300 is a pre-wired unit with dryer plug for easy and simple installation for the electrician. This control works in conjunction with the booster fan. When booster fan is in "ON" it will engage power to the starter control box and only then the dryer can be turned "ON".

NOTE:

If booster fan for any reason does not work, the dryer can not be turned "ON".

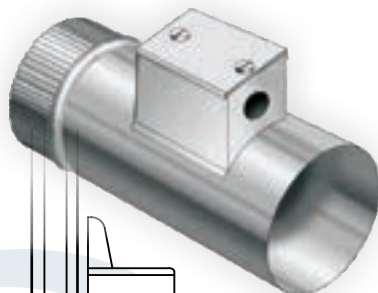


DAS200
DAS250

DAS200 & DAS250 (AMP Sensor)

The **DAS200** device senses when a clothes dryer is drawing 1.2 Amp. of current. When this occurs a relay contact closes turning the dryer vent booster fan "ON". When current drops below the 2 Amp. threshold the relay contacts open turning the booster fan "OFF".

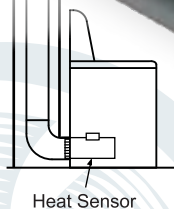
The **DAS250** device senses when a clothes dryer is drawing 1.2 Amp. of current and then closes the output switch to activate the dryer vent booster fan. When the dryer cycle is complete and the current drops below the threshold, the output switch will remain closed for 5 minutes to allow heat to be removed from the vent before the switch is opened again.



DHB100

DHB100 (Heat Sensor)

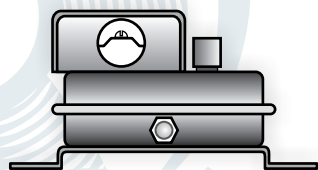
Heat sensor unit is installed in the exhaust pipe of the dryer. During dryer operation, heat is produced allowing the sensor to automatically engage the booster fan.



Heat Sensor

PRESSURE SENSOR

When a laundry dryer is turned on it quickly produces dynamic air pressure build up in the duct system of which the dryer booster fan is connected to. When the pressure build up within the system is greater than the air pressure switch set point (0.02" - 0.05") the pressure relay closes and the timer cycle is initiated which then completes the electrical circuit and the booster fan starts. The timer cycle relay period is 600 seconds closed and 60 seconds open. If the dryer is on it will continue to produce dynamic pressure in the system and the booster fan will continue to run for additional timer cycles. Once the dryer is turned off it no longer produces dynamic air pressure in the system. When the air pressure within the duct system is less than the switch set point pressure the pressure relay will open. The booster fan will continue to run until the completion of the 600 second closed timer cycle. During the 60 second open timer cycle power is interrupted and the booster fan will slowly come to a stop and remain off until the dryer is turned back on and the system cycle is once again initiated.



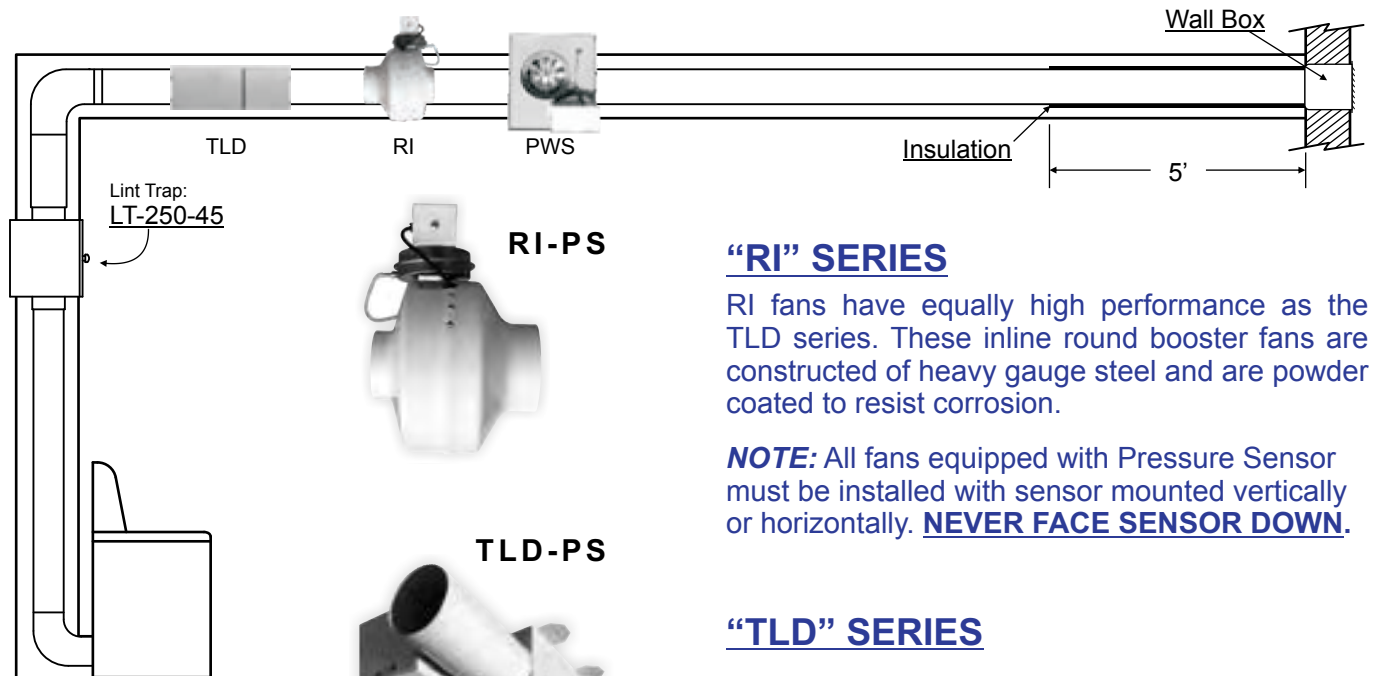
PRESSURE SENSOR

* For more information visit www.reversomatic.com

Reversomatic Manufacturing Ltd.

790 Rowntree Dairy Road, Woodbridge, ON Canada L4L 5V3 • Tel: 905-851-6701 • Fax: 905-851-8376
www.reversomatic.com • info@reversomatic.com

DRYER BOOSTER FANS EQUIPPED w/ PRESSURE SENSOR



“RI” SERIES

RI fans have equally high performance as the TLD series. These inline round booster fans are constructed of heavy gauge steel and are powder coated to resist corrosion.

NOTE: All fans equipped with Pressure Sensor must be installed with sensor mounted vertically or horizontally. **NEVER FACE SENSOR DOWN.**



“TLD” SERIES

TLD fans feature a low profile, very high performance, high static pressure, self cleaning backward inclined impeller and high efficiency motor making it ideal to exhaust dryer where a long run of duct is necessary.



PWS-PS



“PWS” SERIES

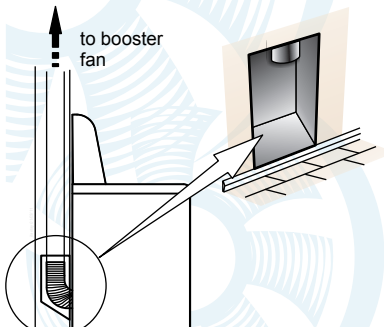
PWS fans are especially designed to exhaust dryers Hi-Rise condominiums and have an aluminum self cleaning paddle wheel impeller for low maintenance. These fans are constructed of heavy gauge satin coat steel to resist corrosion.

LT-400SD



LT-400SD - Lint trap for stacker dryer

Simple and quick installation, 38 sq. inch filtering area increases dryer efficiency, Stainless Steel filter screen for long life, Available in 4" & 5" dia. sizes outlet, Viewing Plexiglass, Oven baked finish, Easy to clean with Positive Lock.



DRYER BOX



DRYER - BOX

Reversomatic dryer box allows the dryer to be located closer to the wall and protects the dryer flexible exhaust duct from getting kinked. It also improved dryer efficiency by reducing one 90° elbow from the dryer exhaust system.

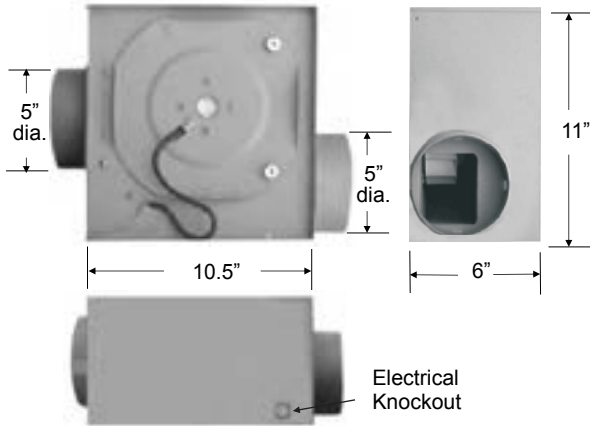
Reversomatic Manufacturing Ltd.

790 Rowntree Dairy Road, Woodbridge, ON Canada L4L 5V3 • Tel: 905-851-6701 • Fax: 905-851-8376
www.reversomatic.com • info@reversomatic.com

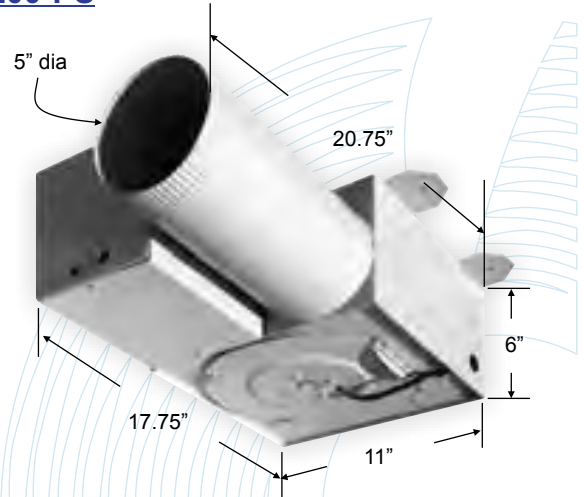
DRYER BOOSTER FANS - Manual & Fully Automatic

Dimensions

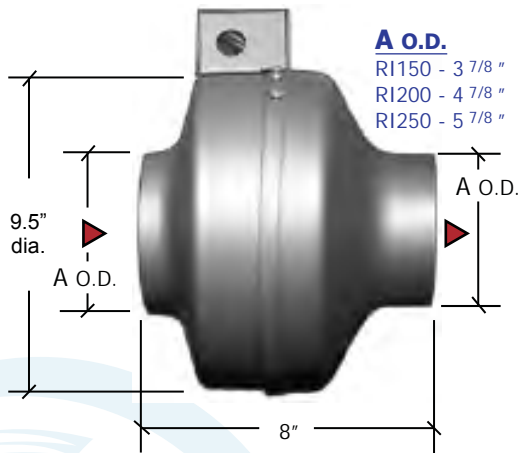
TLD-200



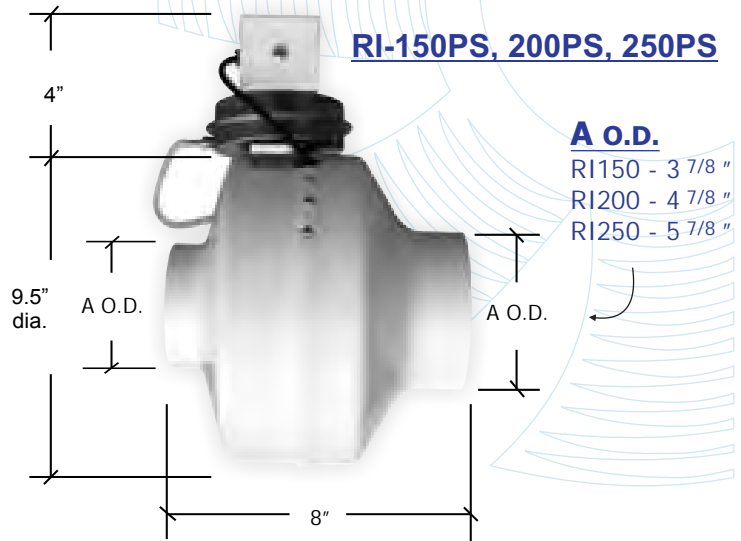
TLD-200-PS



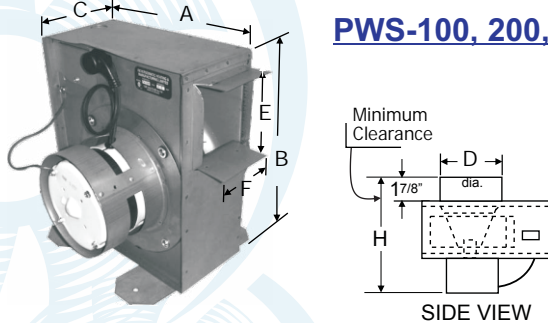
RI-150, 200, 250



RI-150PS, 200PS, 250PS



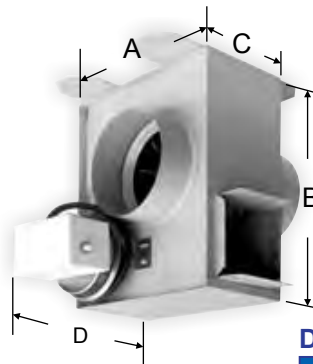
PWS-100, 200, 300



DIMENSIONS:

MODEL	A	B	C	D	E	F	H
PWS100	9 1/4"	11"	4 1/2"	5"	3 3/4"	3 1/4"	8 1/2"
PWS200	9 1/4"	11"	4 1/2"	6"	3 3/4"	3 1/4"	9 1/2"
PWS300	11"	12 3/4"	5 1/2"	7"	4 1/2"	4 1/4"	11"

PWS-100PS PWS-200PS PWS-300PS



DIMENSIONS:

MODEL	A	B	C	D
PWS100	9 1/4"	11"	4 1/2"	11 1/2"
PWS200	9 1/4"	11"	4 1/2"	11 1/2"
PWS300	11"	12 3/4"	5 1/2"	12 1/2"

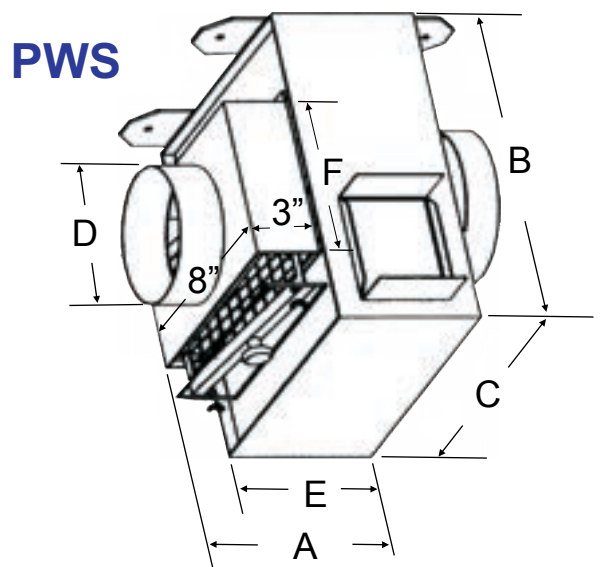
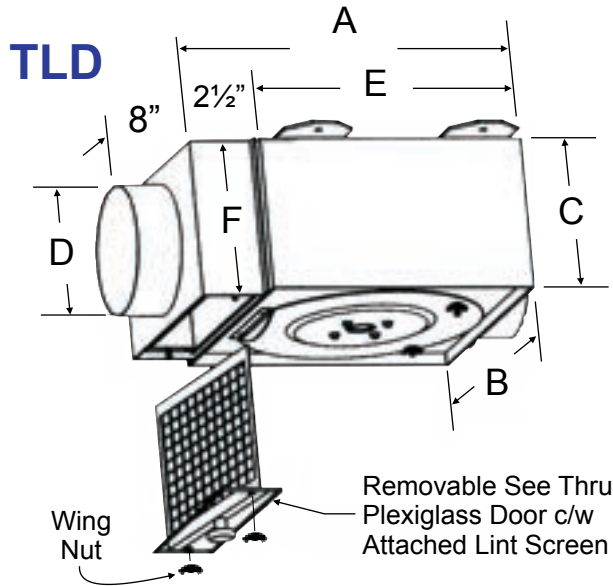
Reversomatic Manufacturing Ltd.

790 Rowntree Dairy Road, Woodbridge, ON Canada L4L 5V3 • Tel: 905-851-6701 • Fax: 905-851-8376
 www.reversomatic.com • info@reversomatic.com



FANS WITH LINT TRAPS

Maintenance Instruction



DIMENSIONS:

MODEL	A	B	C	D (dia.)	E	F
TLD200L	13"	11"	6"	5"	10.5"	6"
TLD300L	14.5"	12"	8"	6"	12"	7"
PWS100L	6.5"	11"	9.5"	5"	4.5"	6"
PWS200L	6.5"	11"	9.5"	6"	4.5"	7"
PWS300L	7.5"	12.5"	11"	7"	5.5"	8"

NOTE:

- Lint trap must be cleaned monthly or as required by removing the two wing nuts and pulling the lint screen door down by the handle
- Clean fan assembly as required by removing two wing nuts from the main plate and motor will swing open
- Make sure the motor is unplugged to ensure there is no power to the motor
- Install fan combination lint trap where it is easily accessible for cleaning

Contractor:	<input type="checkbox"/> TLD - _____ <input type="checkbox"/> PWS - _____		
Architect:	Date	Supersedes	Drawing No.
Engineer:			

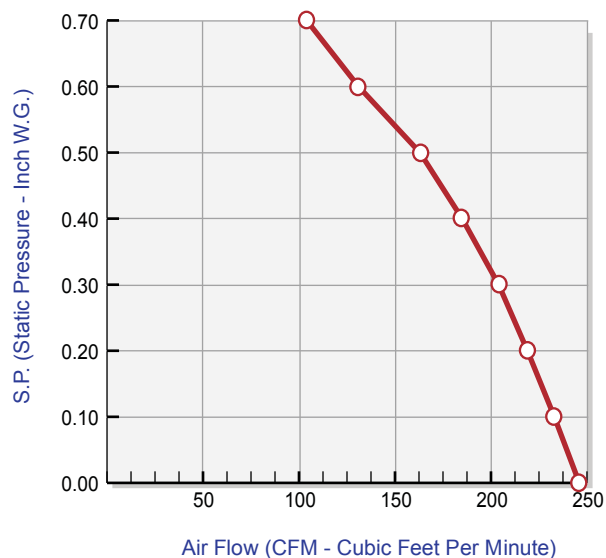
Reversomatic Manufacturing Ltd.

790 Rowntree Dairy Road, Woodbridge, ON Canada L4L 5V3 • Tel: 905-851-6701 • Fax: 905-851-8376
 www.reversomatic.com • info@reversomatic.com

GENERAL PURPOSE INLINE EXHAUST FANS

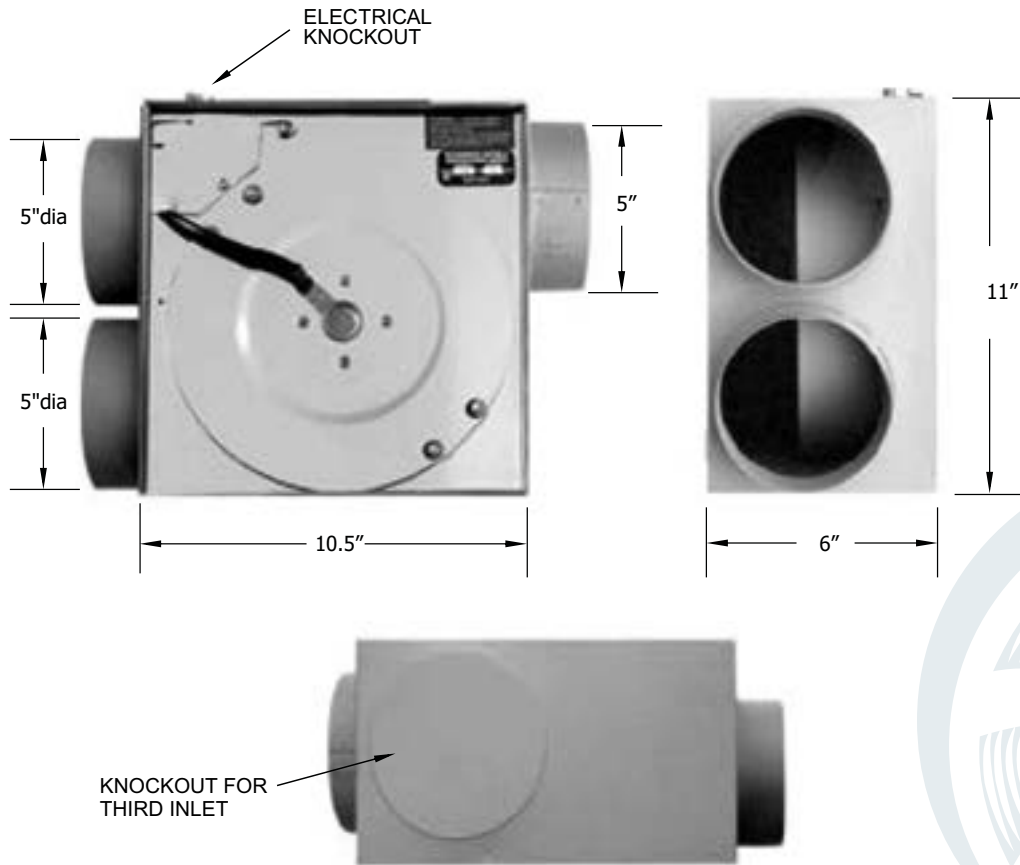
- Engineered to provide high air volume and powerful static pressure performance.
- Compact construction for ease of installation in confined spaces.
- Built with a well balanced air over motor impeller assembly, for smooth operation.
- High efficiency motor.
- Available with two and three inlets.
- Fan housing constructed of heavy gauge satin coat galvanized steel finish.
- Suitable for use in high-rise condominium, office buildings, schools, boardrooms or where high volume quiet ventilation is required.
- Certified by California Energy Commission in accordance with California Law - Title 20.
- Also meet Washington State Ventilation and Indoor Air Quality Code.

TL-240 (2 inlets) FAN DATA



Reversomatic Manufacturing Ltd.

790 Rowntree Dairy Road, Woodbridge, ON Canada L4L 5V3 • Tel: 905-851-6701 • Fax: 905-851-8376
www.reversomatic.com • info@reversomatic.com



Available with two and three inlets.



HVI CERTIFIED RATINGS

MODEL	CFM @ 0.20" S.P.
TL-240	210

FAN DATA

MODEL	MOTOR 120 VAC 60 Hz			CUBIC FEET PER MINUTE								
	RPM	AMPS	WATTS	S.P.	0.00	0.10	0.20	0.30	0.40	0.50	0.60	0.70
TL-240 2 inl.	1600	0.70	75	CFM	246	233	219	204	185	163	131	104

RPM (Revolution Per Minute) shown is nominal and performance is based on actual speed of test.

Contractor:		TL - 240		
Architect:	Job:	Date	Supersedes	Drawing No.
Engineer:	Date Submitted:			



GENERAL PURPOSE INLINE EXHAUST FANS

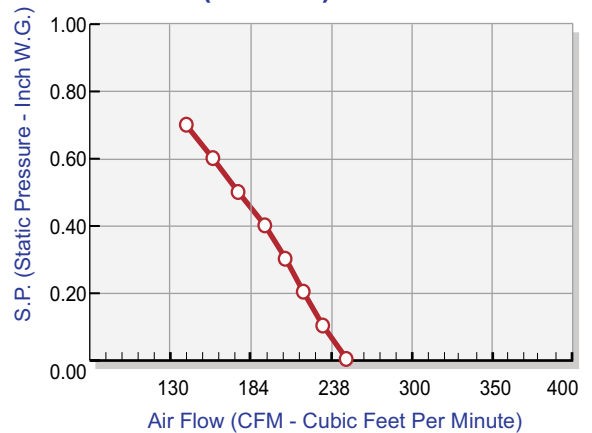
- Engineered to provide high air volume and powerful static pressure performance.
- Compact construction for ease of installation in confined spaces.
- Built with a well balanced air over motor impeller assembly, for smooth operation.
- High efficiency motor.
- Available with two and three inlets.
- Fan housing constructed of heavy gauge satin coat galvanized steel finish.
- Suitable for use in high-rise condominium, office buildings, schools, boardrooms or where high volume quiet ventilation is required.
- Certified by California Energy Commission in accordance with California Law - Title 20.
- Also meet Washington State Ventilation and Indoor Air Quality Code.



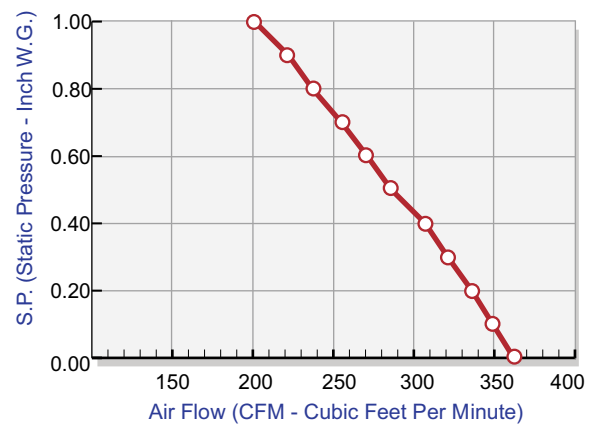
(TL-240ES complies to Energy Star)



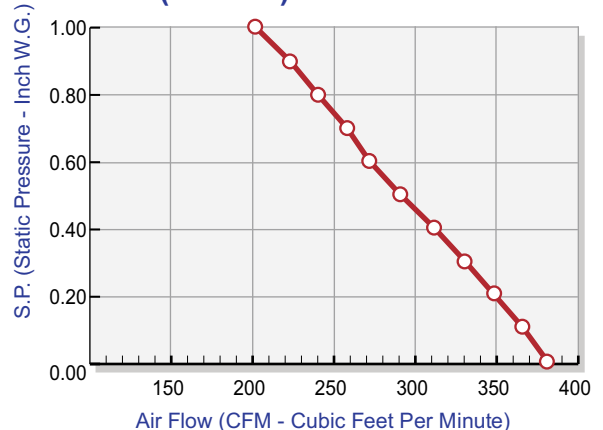
TL-240ES (2 inlets) FAN DATA

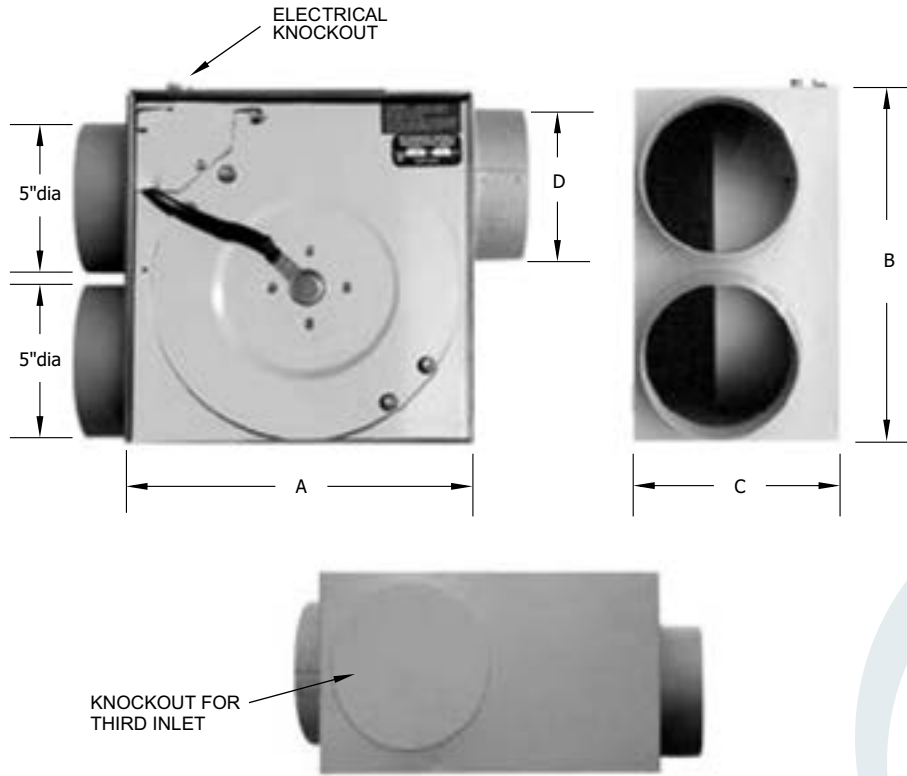


TL-340 (2 inlets) FAN DATA



TL-340 (3 inlets) FAN DATA





Available with two and three inlets.

HVI CERTIFIED RATINGS

MODEL	CFM @ 0.20" S.P.
* TL-240ES	210
TL-340	320

DIMENSION DATA

A	B	C	D
10.5"	11"	7.5"	5"
12"	12"	7"	6"

* TL-240ES complies to Energy Star

FAN DATA

MODEL	MOTOR 120 VAC 60 Hz			CUBIC FEET PER MINUTE												
	RPM	AMPS	WATTS	S.P.	0.00	0.10	0.20	0.30	0.40	0.50	0.60	0.70	0.80	0.90	1.00	
TL-240ES 2 inl.	1600	0.70	75	CFM	246	230	217	205	191	173	156	138				
TL-340 2 inl.	1150	1.05	113	CFM	358	345	332	317	303	282	267	251	233	218	197	
TL-340 3 inl.	1150	1.05	113	CFM	383	368	350	332	313	292	273	259	241	224	203	

RPM (Revolution Per Minute) shown is nominal and performance is based on actual speed of test.

Contractor:	TL-240ES, TL-340		
Architect:	Job:	Date	Supersedes
Engineer:	Date Submitted:		Drawing No.

Reversomatic Manufacturing Ltd.

790 Rowntree Dairy Road, Woodbridge, ON Canada L4L 5V3 • Tel: 905-851-6701 • Fax: 905-851-8376
www.reversomatic.com • info@reversomatic.com



**XL SERIES
DRYER EXHAUST FANS**

The PWS series is specially designed to exhaust air from the dryer. It has been equipped with a paddle wheel impeller to prevent lint buildup.



ACCESSORIES

Standard:

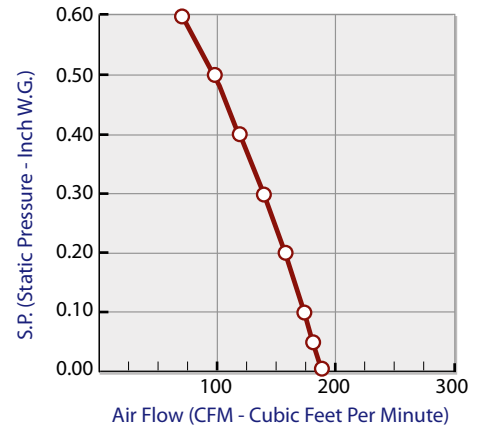
- Mounting brackets

Optional:

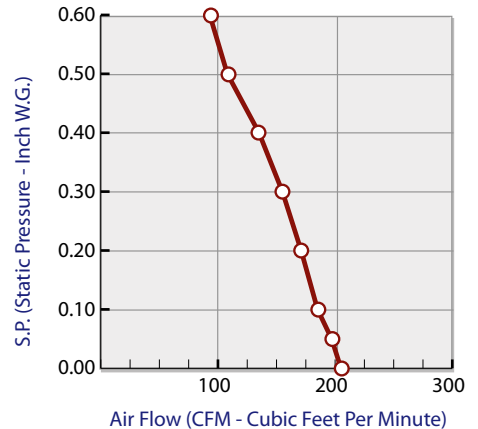
- Lint trap
- Transition



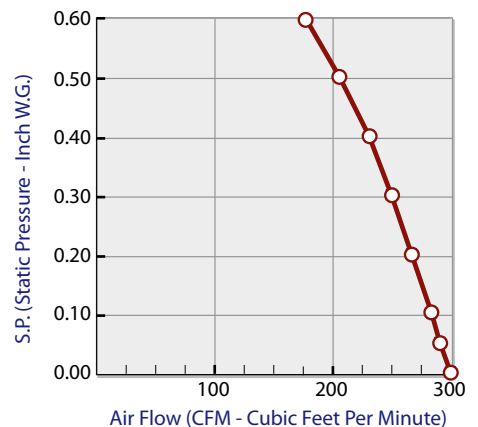
PWS-100 FAN DATA



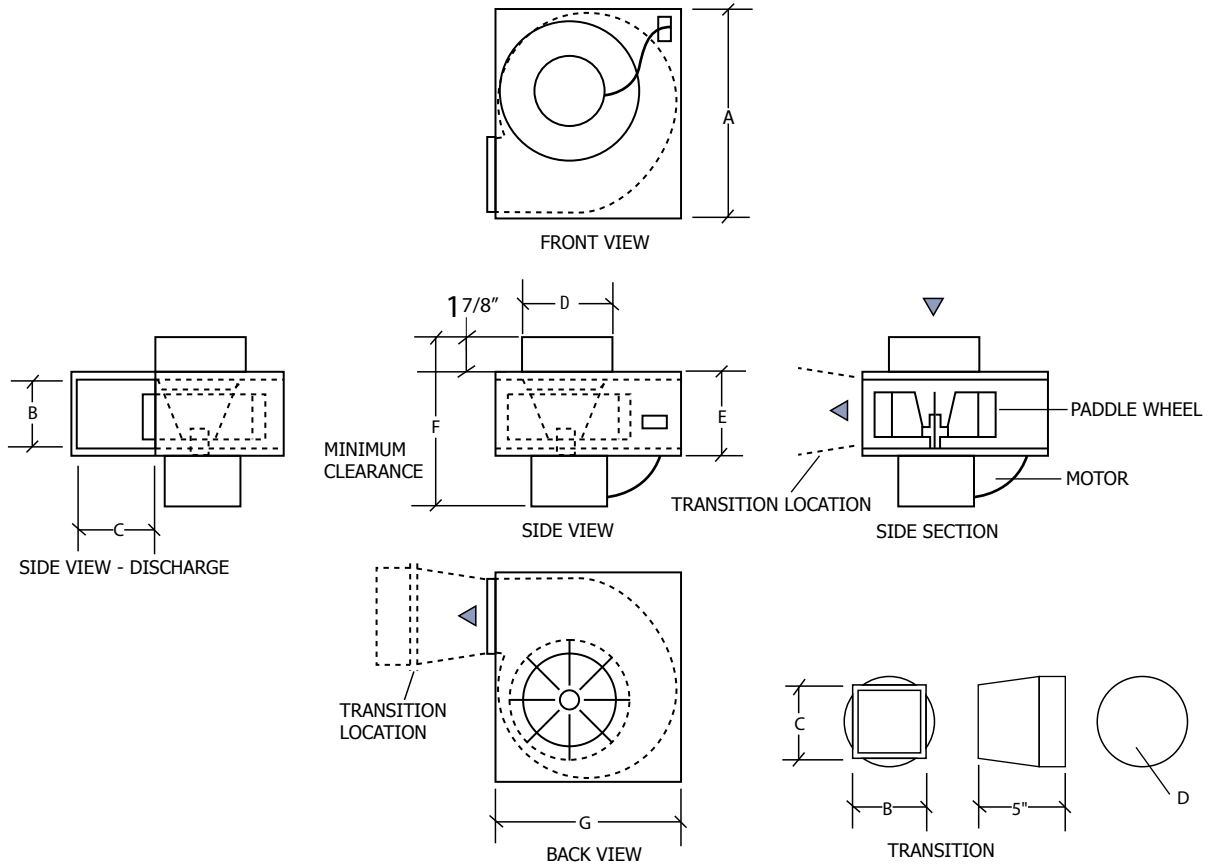
PWS-200 FAN DATA



PWS-300 FAN DATA



XL SERIES PWS-100, PWS-200, PWS-300



MODEL	A	B	C	D	E	F	G
PWS-100	11	3 ¼	3 ¾	5	4 ½	8 ½	9 ¼
PWS-200	11	3 ¼	3 ¾	6	4 ½	9 ½	9 ¼
PWS-300	12 ¾	4 ½	4 ½	7	5 ½	11	11

All dimensions are shown in inches.

FAN DATA

MODEL	MOTOR 120 VAC 60 Hz		CUBIC FEET PER MINUTE								
	RPM	AMPS	S.P.	0.00	0.05	0.10	0.20	0.30	0.40	0.50	0.60
PWS-100	1550	1.20	CFM	189	181	174	158	140	120	98	74
PWS-200	1550	2.30	CFM	205	197	185	171	155	135	108	93
PWS-300	1550	3.30	CFM	300	291	284	267	250	231	206	177

RPM (Revolution Per Minute) shown is nominal and performance is based on actual speed of test. Units were tested with backdraft damper and outlet duct.

Contractor:	PWS-100, PWS-200, PWS-300			
Architect:	Job:	Data	Supersedes	Drawing NO.
Engineer:	Date Submitted:			

Reversomatic Manufacturing Ltd.

790 Rowntree Dairy Road, Woodbridge, ON Canada L4L 5V3 • Tel: 905-851-6701 • Fax: 905-851-8376
 www.reversomatic.com • info@reversomatic.com



XL SERIES

THE PW-200 IS ESPECIALLY DESIGNED TO EXHAUST A COMBINATION OF WASH-ROOMS AND DRYER ROOM. IT HAS BEEN MANUFACTURED WITH A SPECIAL LINT-FREE IMPELLER*

PW-200 DRYER AND BATHROOM EXHAUST FAN

*MINIMUM CFM FOR VENTILATION AND/OR INTERCONNECTIONS OF DUCTS AND FANS COULD BE REGULATED BY YOUR LOCAL BY-LAWS. VERIFY ACCEPTANCE OF INSTALLATION WHEN NECESSARY

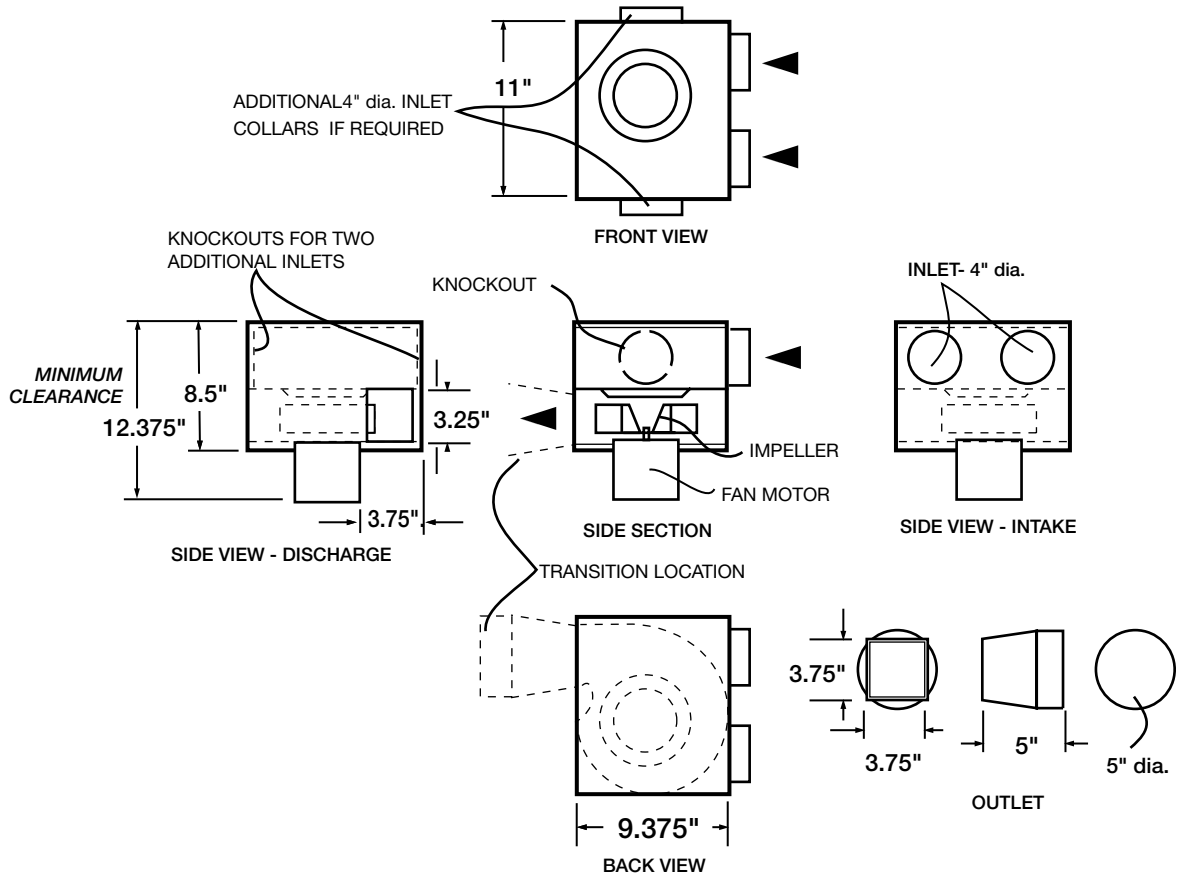


June, 2006

Reversomatic Manufacturing Ltd.

790 ROWNTREE DAIRY ROAD ▪ WOODBRIDGE, ONTARIO, CANADA L4L 5V3 ▪ PHONE (905) 851-6701 ▪ FAX (905) 851-8376

www.reversomatic.com ⓘ EMAIL info@reversomatic.com



ACCESSORIES

- | | |
|-------------------|-----------------|
| STANDARD | OPTIONAL |
| DAMPER | BALANCE BOX |
| MOUNTING BRACKETS | TRANSITION |
| | LINT TRAP |
| | ACCESS DOOR |

FAN DATA

FAN MODEL	MOTOR 120 VAC 60 Hz			CUBIC FEET PER MINUTE								
	RPM	AMPS	HP	S.P.	.0	.05	.10	.20	.30	.40	.50	.55
PW-200	1670	1.15 to 1.33	1/35	CFM	170	162	154	136	118	98	68	52

RPM (Revolutions per minute) shown is nominal and performance is based on actual speed



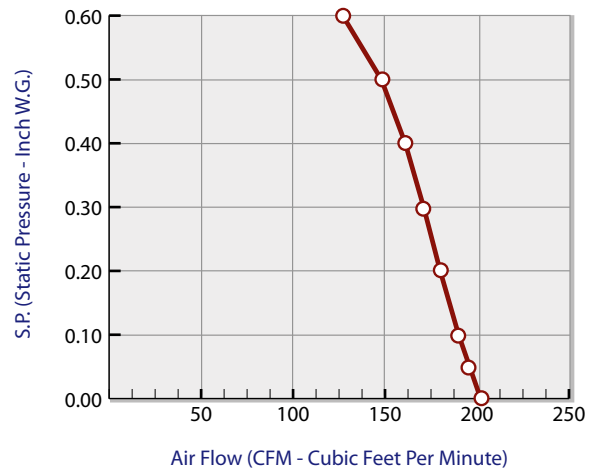
**XL SERIES
BATHROOM AND KITCHEN
EXHAUST INLINE FANS**

The DB-200 model solves ventilation problems. This powerful unit has been equipped with a totally enclosed motor. A squirrel cage impeller capable of exhausting two bathrooms and a kitchen.

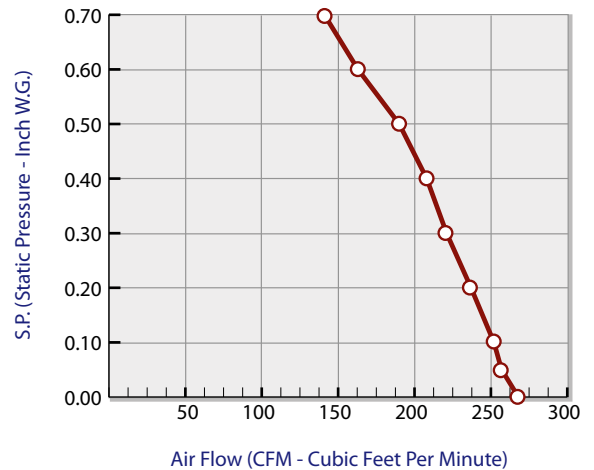
The DK-260 is designed to exhaust kitchens or washrooms when high CFM at high static pressure is required.



DB-200 FAN DATA



DK-260 FAN DATA



ACCESSORIES

Standard:

- Mounting brackets

Optional:

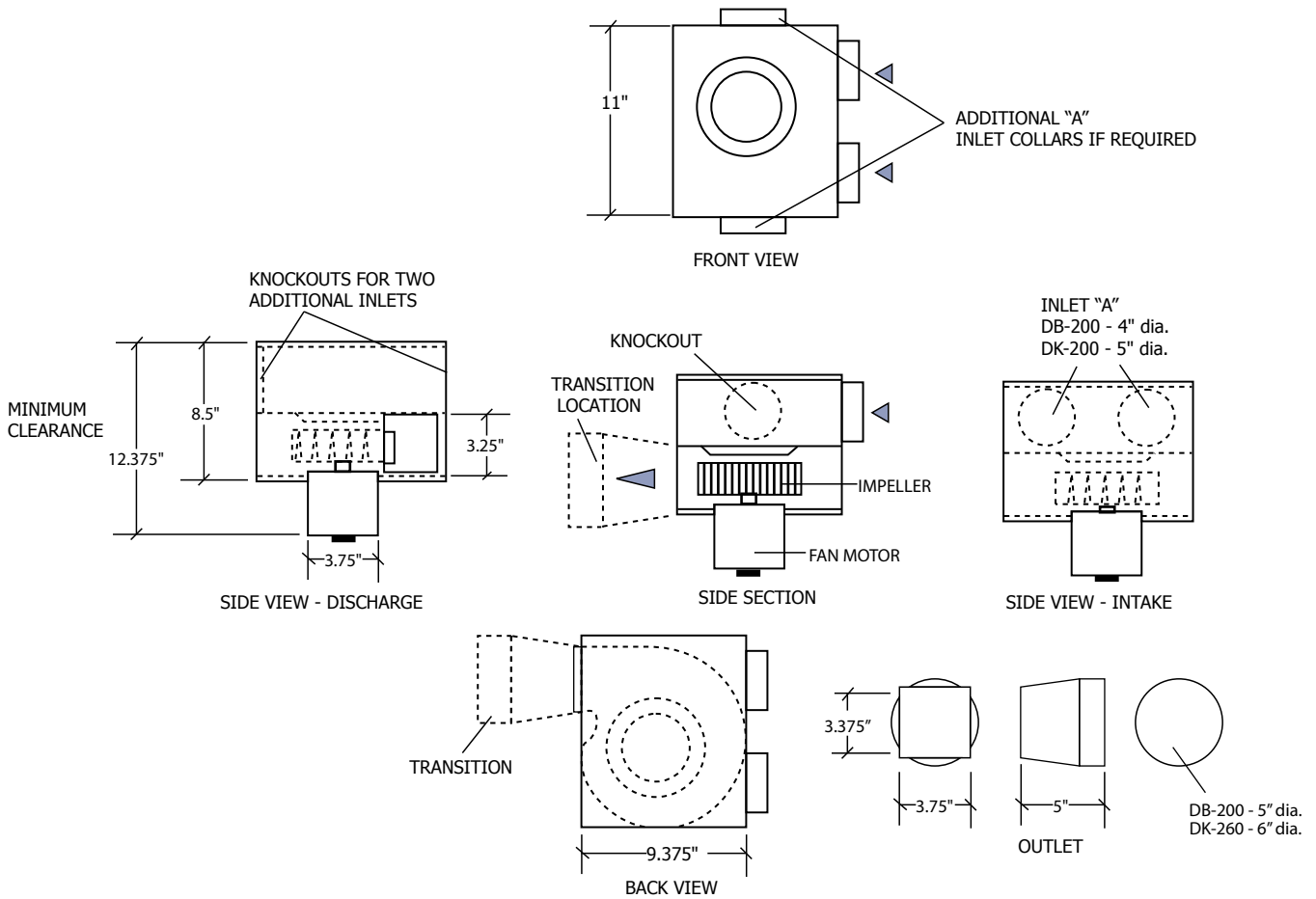
- Balance box
- Transition
- Access door



DK-260

Reversomatic Manufacturing Ltd.

XL SERIES DB-200, DK-260



HVI CERTIFIED RATINGS

MODEL	CFM @ 0.20" S.P.
DK-260	230

FAN DATA

MODEL	MOTOR 120 VAC 60 Hz		CUBIC FEET PER MINUTE									
	RPM	AMPS	S.P.	0.00	0.05	0.10	0.20	0.30	0.40	0.50	0.60	0.70
DB-200	1550	1.90	CFM	202	196	190	180	171	161	148	127	-
DK-260	1550	2.30	CFM	268	257	252	237	221	208	190	163	141

RPM (Revolution Per Minute) shown is nominal and performance is based on actual speed of test. Units were tested with inlet bell, backdraft damper and outlet duct.

Contractor:		DB-200, DK-260		
Architect:	Job:	Data	Supersedes	Drawing NO.
Engineer:	Date Submitted:			

Reversomatic Manufacturing Ltd.

790 Rowntree Dairy Road, Woodbridge, ON Canada L4L 5V3 • Tel: 905-851-6701 • Fax: 905-851-8376
 www.reversomatic.com • info@reversomatic.com



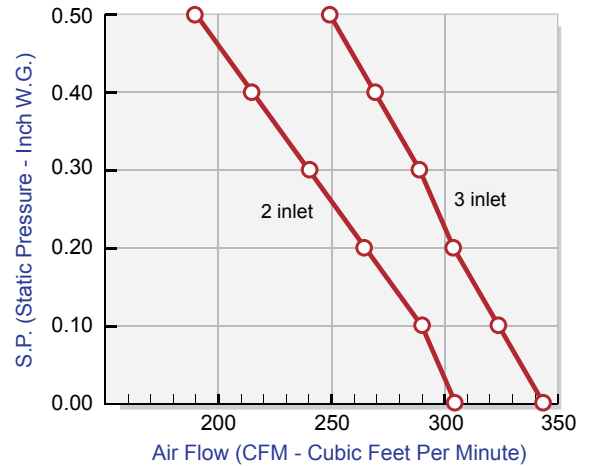
DB-300, QDB-300

XL SERIES EXHAUST FAN FOR BATHROOMS

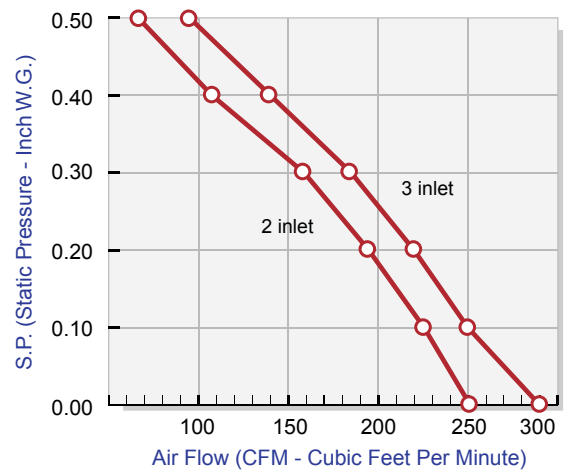
The DB-300, QDB-300 fans are especially designed to exhaust air from a combination of bathrooms. They are equipped with squirrel cage impeller. The QDB-300 has a low speed motor for quiet function.



DB-300 FAN DATA



QDB-300 FAN DATA



ACCESSORIES

Standard

- Neoprene Damper
- Mounting brackets

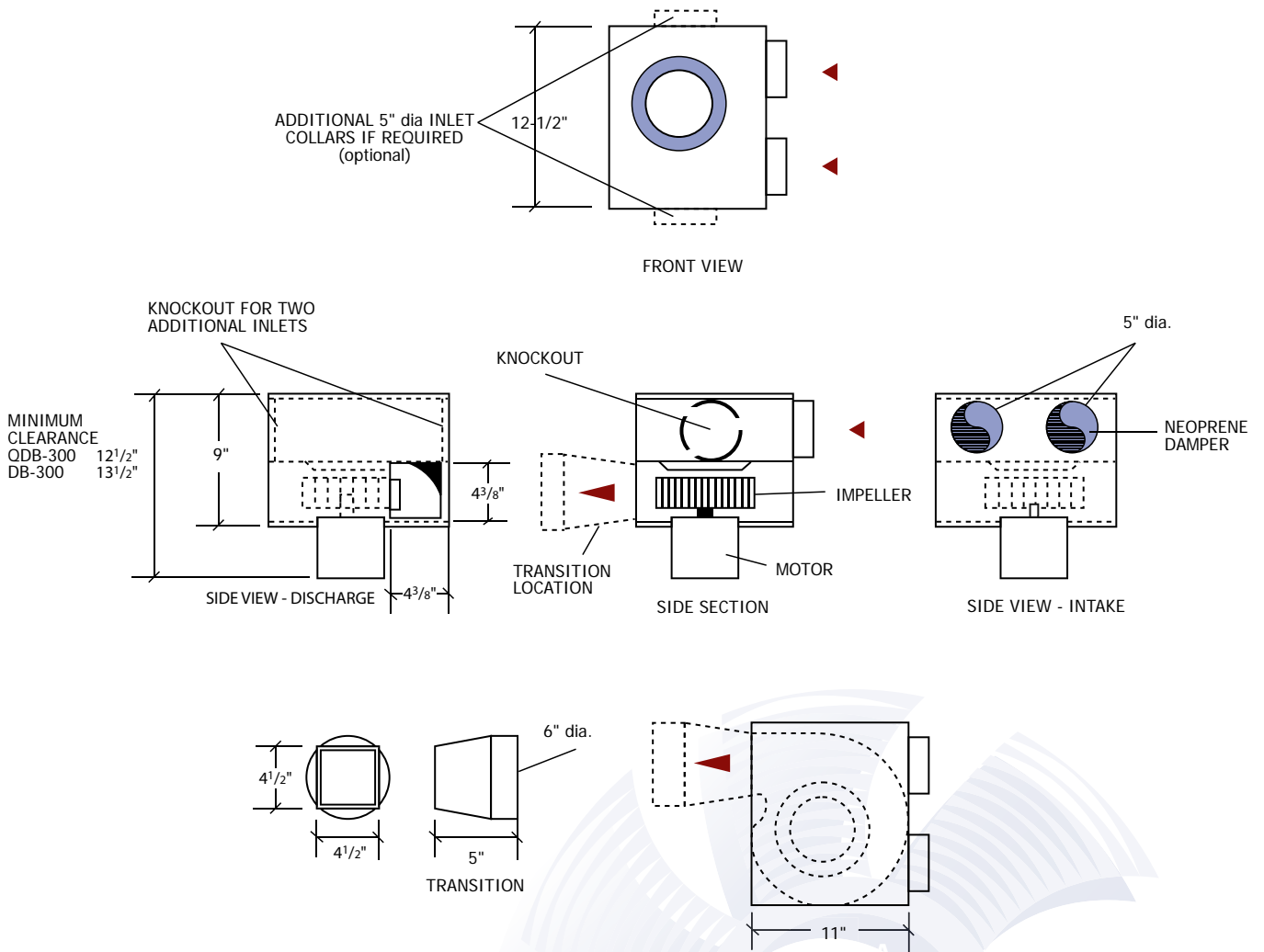
Optional

- Balance Box
- Transition
- Speed Controller
- Aluminum Backdraft Damper



Reversomatic Manufacturing Ltd.

790 Rowntree Dairy Road, Woodbridge, ON Canada L4L 5V3 • Tel: 905-851-6701 • Fax: 905-851-8376
www.reversomatic.com • info@reversomatic.com



FAN DATA

MODEL	MOTOR 120VAC 60Hz		CUBIC FEET PER MINUTE						
	RPM	AMPS	S.P.	0.00	0.10	0.20	0.30	0.40	0.50
DB-300	1550	3.3	CFM 2 inlets	305	290	265	240	215	190
			CFM 3 inlets	345	325	305	290	270	250
QDB-300	1050	3.0	CFM 2 inlets	250	225	195	160	110	70
			CFM 3 inlets	290	250	220	185	140	95

RPM (Revolution Per Minute) shown is nominal and performance is based on actual speed of test.

Contractor:		DB-300, QDB-300		
Architect:	Job:	Date	Supersedes	Drawing NO.
Engineer:	Date Submitted:			

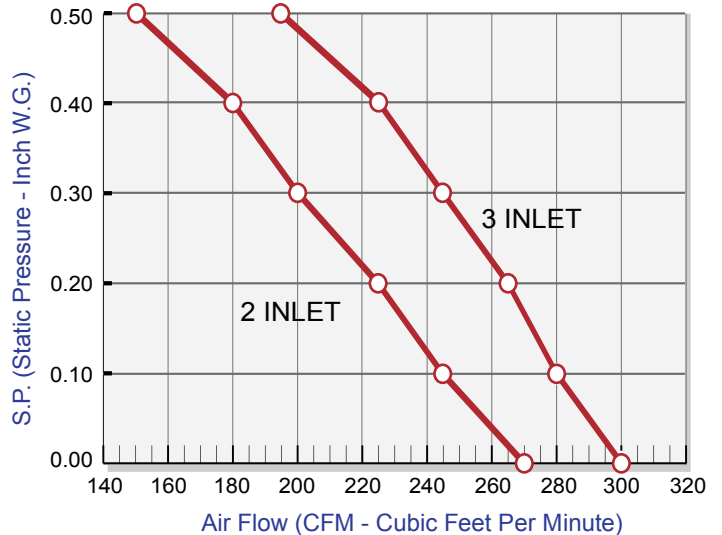
Reversomatic Manufacturing Ltd.

COMBINATION IN-LINE EXHAUST FAN

The DBP-300 is especially designed to exhaust the air from a combination of bathrooms. It is equipped with a paddle wheel impeller. The fan is available with two or three inlets.



DBP-300 FAN DATA (2 INLET & 3 INLET)



ACCESSORIES

Standard:

- Neoprene Dampers (Inlet side)
- Mounting Brackets

Optional:

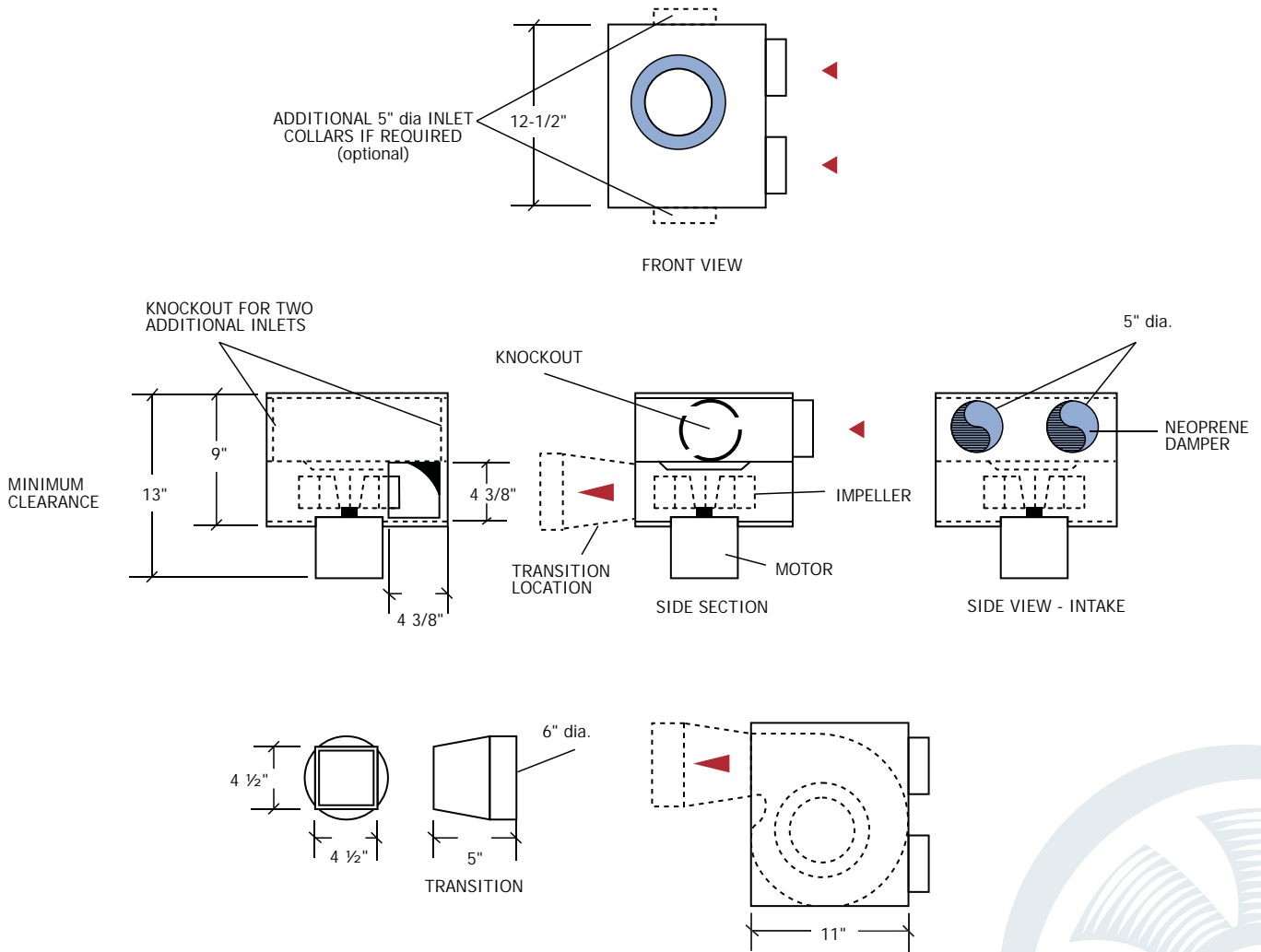
- Balance Box
- Outlet Transition
- Lint Trap
- Access Door
- Speed Controller

*Minimum CFM for ventilation and/or interconnections of ducts and fans could be regulated by your local by-laws. Verify acceptance of installation when necessary.



Reversomatic Manufacturing Ltd.

790 Rowntree Dairy Road, Woodbridge, ON Canada L4L 5V3 • Tel: 905-851-6701 • Fax: 905-851-8376
www.reversomatic.com • info@reversomatic.com



FAN DATA

MODEL	MOTOR 120 VAC 60Hz			CUBIC FEET PER MINUTE						SONES
	RPM	AMPS	S.P.	0.00	0.10	0.20	0.30	0.40	0.50	
DBP300	1550	2.9	CFM 2 INLET	270	245	225	200	180	150	3.0
			CFM 3 INLET	300	280	265	245	225	195	

RPM (Revolution Per Minute) shown is nominal and performance is based on actual speed of test.

Contractor:		DBP-300		
Architect:	Job:	Date	Supersedes	Drawing No.
Engineer:	Date Submitted:			



**REVERSOMATIC
IN-LINE
CENTRIFUGAL
GENERAL PURPOSE
EXHAUST FANS**

RI series



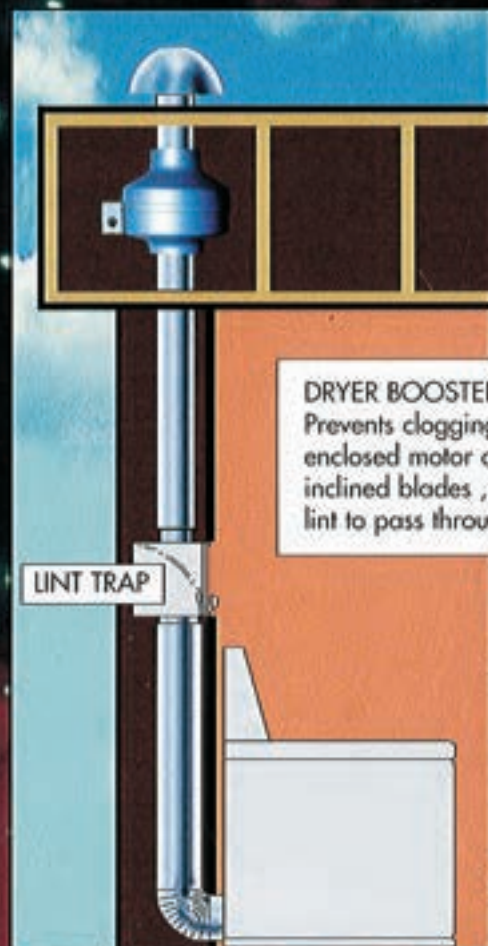
May, 2007

- SELF CLEANING IMPELLER
- COMPACT
- QUIET
- HIGH STATIC PRESSURE
- SEALED BALL BEARING
- CAPACITOR (PSC MOTOR)
FOR HIGH EFFICIENCY

TYPICAL APPLICATIONS OF RI SERIES

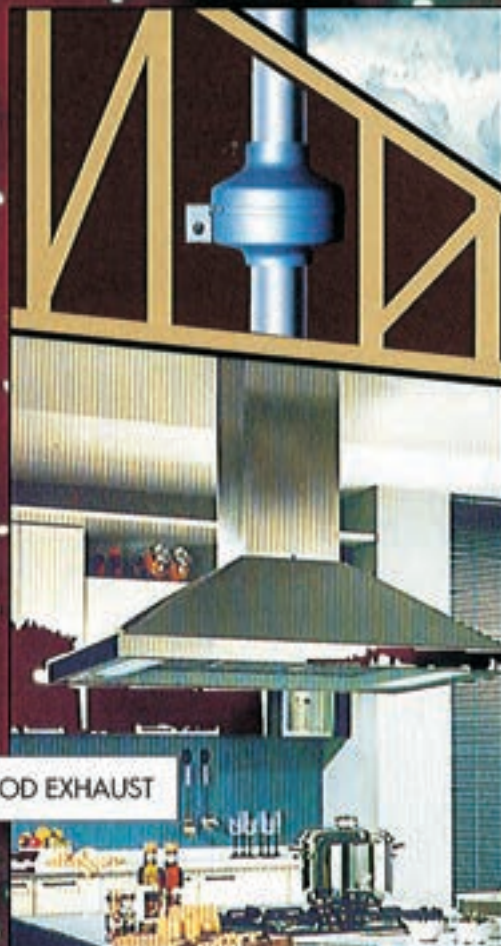
REVERSOMATIC RI SERIES IN-LINE-CENTRIFUGAL DUCT FANS are the ideal air moving for many residential, commercial and industrial applications. The quiet and efficient airfoil impeller is capable of developing significant pressure, and the in-line configuration simplifies installation.

Powerful, Quiet Ventilation



DRYER BOOSTER
Prevents clogging, the totally enclosed motor and backward inclined blades, allowing lint to pass through the fan.

LINT TRAP



RANGE HOOD EXHAUST



GREAT FOR SPAS,
SINGLE AND DUAL
BATHROOM EXHAUST



OFFICE, CONFERENCE
ROOMS VENTILATION

Reversomatic Manufacturing Ltd.

790 ROWNTREE DAIRY ROAD, WOODBRIDGE, ONTARIO, CANADA L4L 5V3 • PHONE (905) 851-6701 • FAX 905 (905) 851-8376
www.reversomatic.com • Email: info@reversomatic.com



RI-150, RI-200, RI-250, RI-500, RI-700, RI-900, RI-1200

April, 2008

**RI SERIES
GENERAL PURPOSE INLINE EXHAUST FANS**

- Engineered to provide effective and reliable operation making it perfect for general purpose inline ventilation.
- Low profile construction for ease of installation in confined spaces.
- Built with a well balanced air over motor impeller assembly, and a backward inclined wheel for smooth quiet operation.
- High efficiency motor. Available for 4", 5", 6", 8", 10" and 12" duct sizes.
- Fan housing constructed of heavy gauge satin coat steel with baked enamel finish.
- Suitable for use in high-rise condominium, office buildings, schools, boardrooms or where high volume quiet ventilation is required.
- The models RI-150, RI-200 & RI-250 meet Washington State Ventilation and Indoor Air Quality Code.

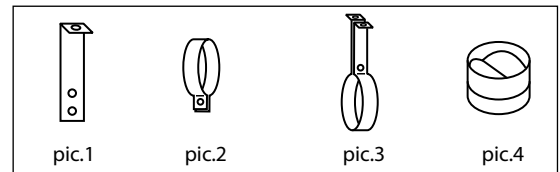
ACCESSORIES

Standard:

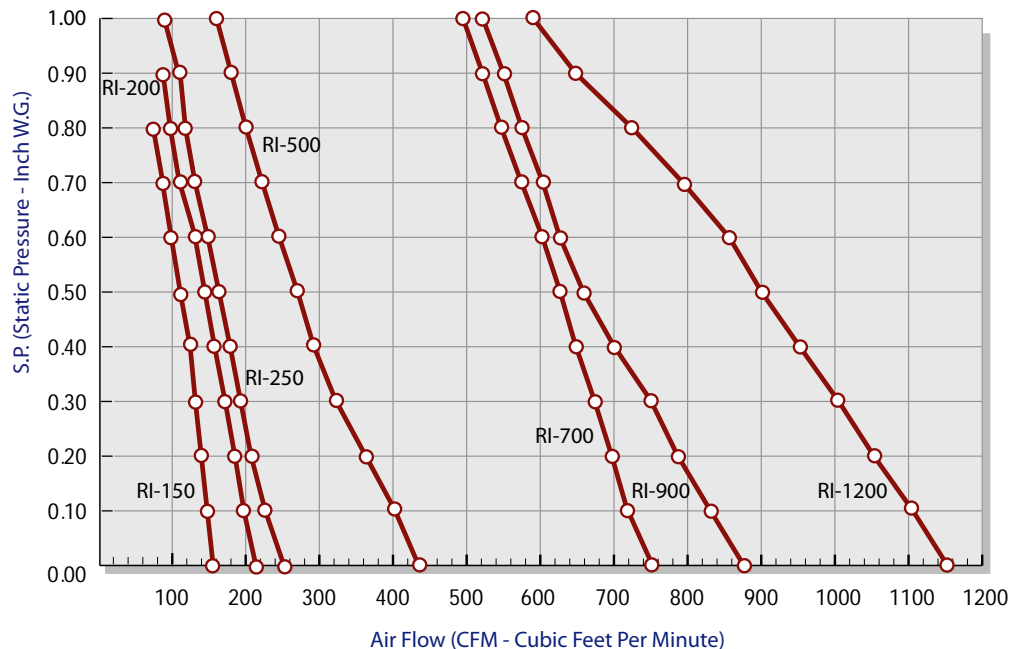
- Mounting brackets for wall or truss mounting (pic.1)

Optional:

- Mounting clamps for use with rigid duct, complete with foam rubber insulation (pic.2)
- Suspension bracket (pic.3)
- Backdraft damper with butterfly valve to prevent cold air from entering when fan is not in use (pic.4)



RI SERIES FAN DATA

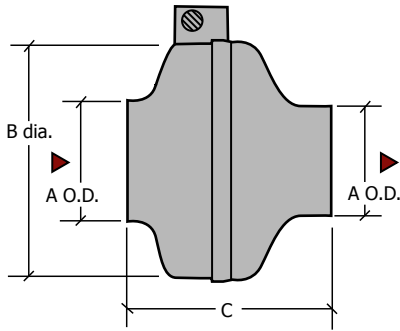


SOUND RATING

MODEL	RI-150	RI-200	RI-250	RI-500	RI-700	RI-900	RI-1200
SOUND LEVEL	2.2 sones	2.5 sones	2.7 sones	3.8 sones	5.1 sones	4.5 sones	4.5 sones

Reversomatic Manufacturing Ltd.

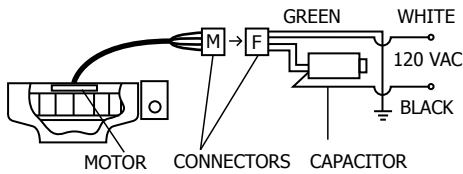
RI-150, RI-200, RI-250, RI-500, RI-700, RI-900, RI-1200



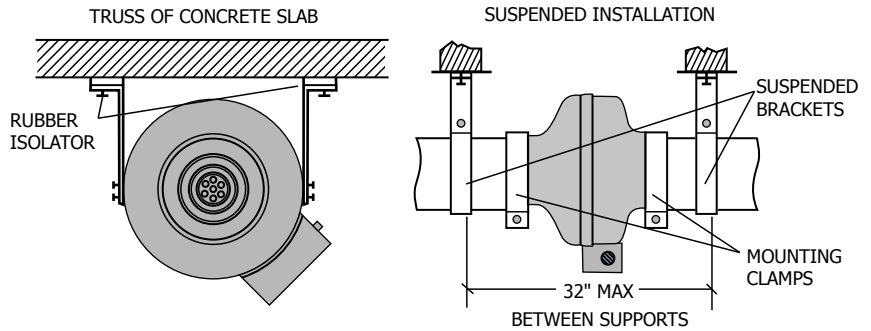
FAN SIZE

MODEL	RI-150	RI-200	RI-250	RI-500	RI-700	RI-900	RI-1200
A	3-7/8"	4-7/8"	5-7/8"	7-7/8"	9-7/8"	11-7/8"	11-7/8"
B	9-1/2"			13"	16"	18"	
C	8"			10"	12"	12-1/2"	

ELECTRICAL CONNECTION



INSTALLATION



HVI CERTIFIED RATINGS

MODEL	CFM @ 0.20" S.P.
RI-150	130
RI-200	170
RI-250	190

FAN MOTOR

MODEL	RI-150	RI-200	RI-250	RI-500	RI-700	RI-900	RI-1200
Watts		85		100	400	240	360
RPM		2500		2550	3100	1570	1420
Capacitor		8 mfd		10 mfd	20 mfd	20 mfd	24 mfd

PERFORMANCE CHART

MODEL	CUBIC FEET PER MINUTE AT STATIC PRESSURE										
	0.00	0.10	0.20	0.30	0.40	0.50	0.60	0.70	0.80	0.90	1.00
RI-150	156	148	140	132	125	112	101	94	88	-	-
RI-200	214	198	186	173	159	146	133	121	109	97	-
RI-250	252	227	208	194	180	165	150	133	120	108	93
RI-500	434	402	362	322	292	270	245	222	200	180	160
RI-700	752	719	698	675	650	629	605	577	550	525	500
RI-900	875	830	786	750	700	659	632	605	581	553	525
RI-1200	1154	1107	1054	1006	953	901	857	794	725	648	592

RPM (Revolution Per Minute) shown is nominal and performance is based on actual speed of test. Unit was tested with inlet cone, backdraft damper and outlet duct.

Contractor:		RI SERIES		
Architect:	Job:	Data	Supersedes	Drawing NO.
Engineer:	Date Submitted:			

Reversomatic Manufacturing Ltd.

790 Rowntree Dairy Road, Woodbridge, ON Canada L4L 5V3 • Tel: 905-851-6701 • Fax: 905-851-8376
 www.reversomatic.com • info@reversomatic.com



RESIDENTIAL FANS



Reversomatic Manufacturing Ltd.

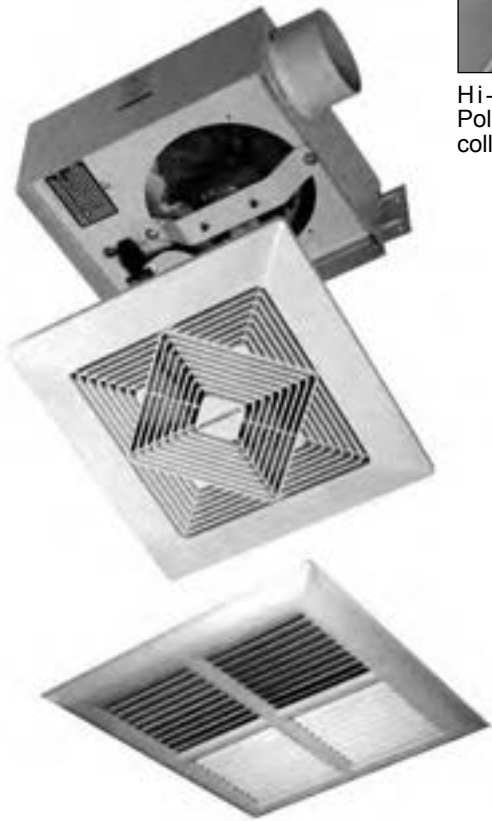
790 Rowntree Dairy Road, Woodbridge, ON Canada L4L 5V3 • Tel: 905-851-6701 • Fax: 905-851-8376
www.reversomatic.com • info@reversomatic.com

EB SERIES BATHROOM EXHAUST FAN

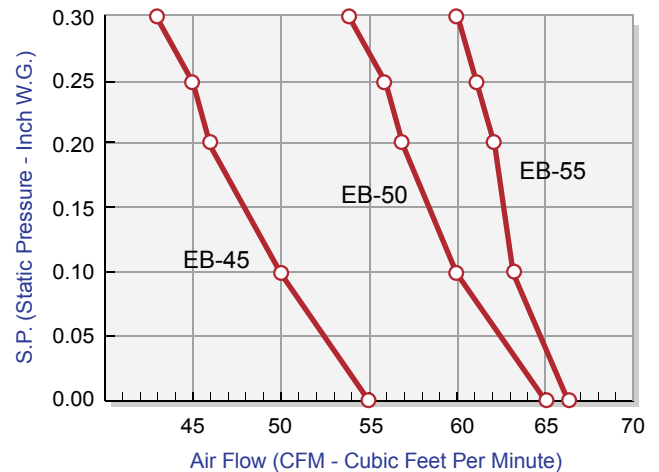
The EB fan series has been specially designed to ventilate residential bathrooms. Its construction consists of heavy gauge rust resistant galvanized satin coat finish and is equipped with a plastic impeller for quiet performance.



Hi-impact
Polystyrene
collar



EB SERIES FAN DATA



ACCESSORIES

Standard:

- Mounting bracket
- Plastic grille
- Metal collar with neoprene damper

Optional:

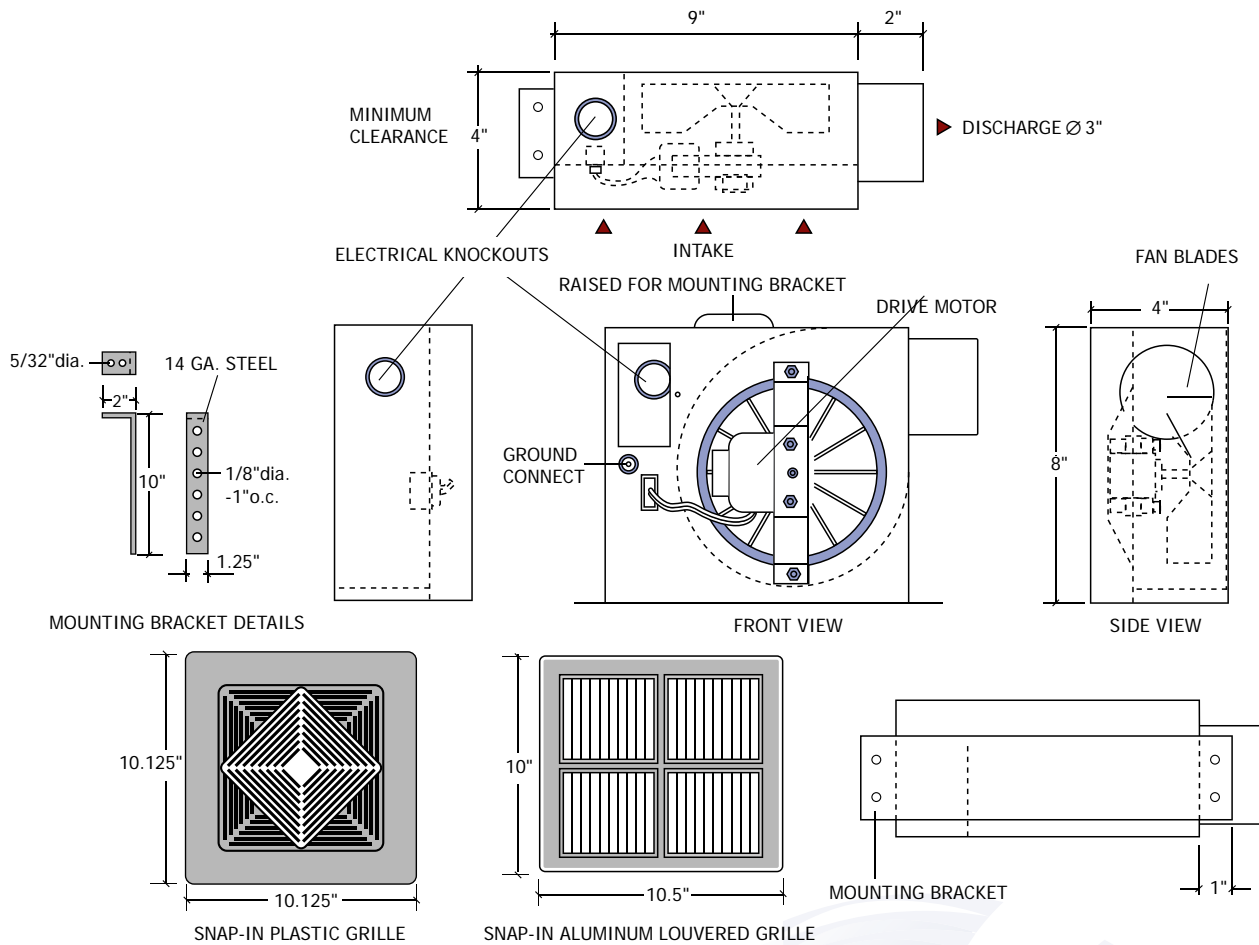
- Hi-impact Polystyrene collar
- Variable speed control
- Aluminum backdraft damper
- Off white aluminum louvered grille



Reversomatic Manufacturing Ltd.

790 Rowntree Dairy Road, Woodbridge, ON Canada L4L 5V3 • Tel: 905-851-6701 • Fax: 905-851-8376
www.reversomatic.com • info@reversomatic.com

EB-45 (EB-50 US model), EB-50 (EB-60 US model), EB-55 (EB-70 US model)



HVI CERTIFIED RATINGS

MODEL	SONES	CFM @ 0.10" S.P.
EB-45	2.5	40
EB-50	2.5	40
EB-55	3.5	60

FAN DATA

MODEL	MOTOR 120 VAC 60 Hz		CUBIC FEET PER MINUTE					
	RPM	AMPS	S.P.	0.00	0.10	0.20	0.25	0.30
EB-45	2000	0.95	CFM	55	50	46	45	43
EB-50	2000	1.00	CFM	65	60	57	56	54
EB-55	2200	1.10	CFM	66	63	62	61	60

RPM (Revolution Per Minute) shown is nominal and performance is based on actual speed of test. Unit was tested with inlet grille, backdraft damper and outlet duct.

Contractor:	EB-45, EB-50, EB-55		
Architect:	Job:	Data	Supersedes
Engineer:	Date Submitted:		Drawing NO.

Reversomatic Manufacturing Ltd.

790 Rowntree Dairy Road, Woodbridge, ON Canada L4L 5V3 • Tel: 905-851-6701 • Fax: 905-851-8376
 www.reversomatic.com • info@reversomatic.com



RS-85 (EB-80 US Model)

February 2008

BATHROOM EXHAUST FAN

The RS-85 has been specially designed for bathrooms in residential units that require exceptionally low noise levels. It has been manufactured with a squirrel cage impeller for high performance. The slim housing design allows for easy installation in those tight ceiling and wall spaces. The fan is suitable for installation over bath tub or shower stall with GFCI protected branch circuit. It also meets Washington State Ventilation and Indoor Air Quality Code.



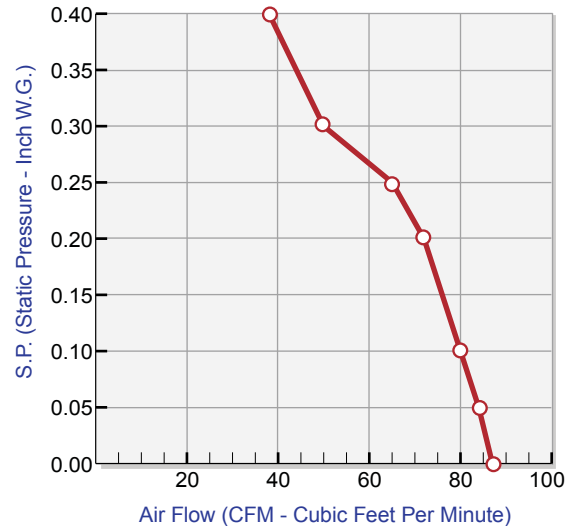
Hi-Impact
Polystyrene
Collar



Off White
Aluminum Louvered Grille

High Impact
Styrene Grille (optional)

RS-85 FAN DATA



ACCESSORIES

Standard:

- White aluminum louvered grille
- Metal collar with neoprene damper
- Mounting bracket

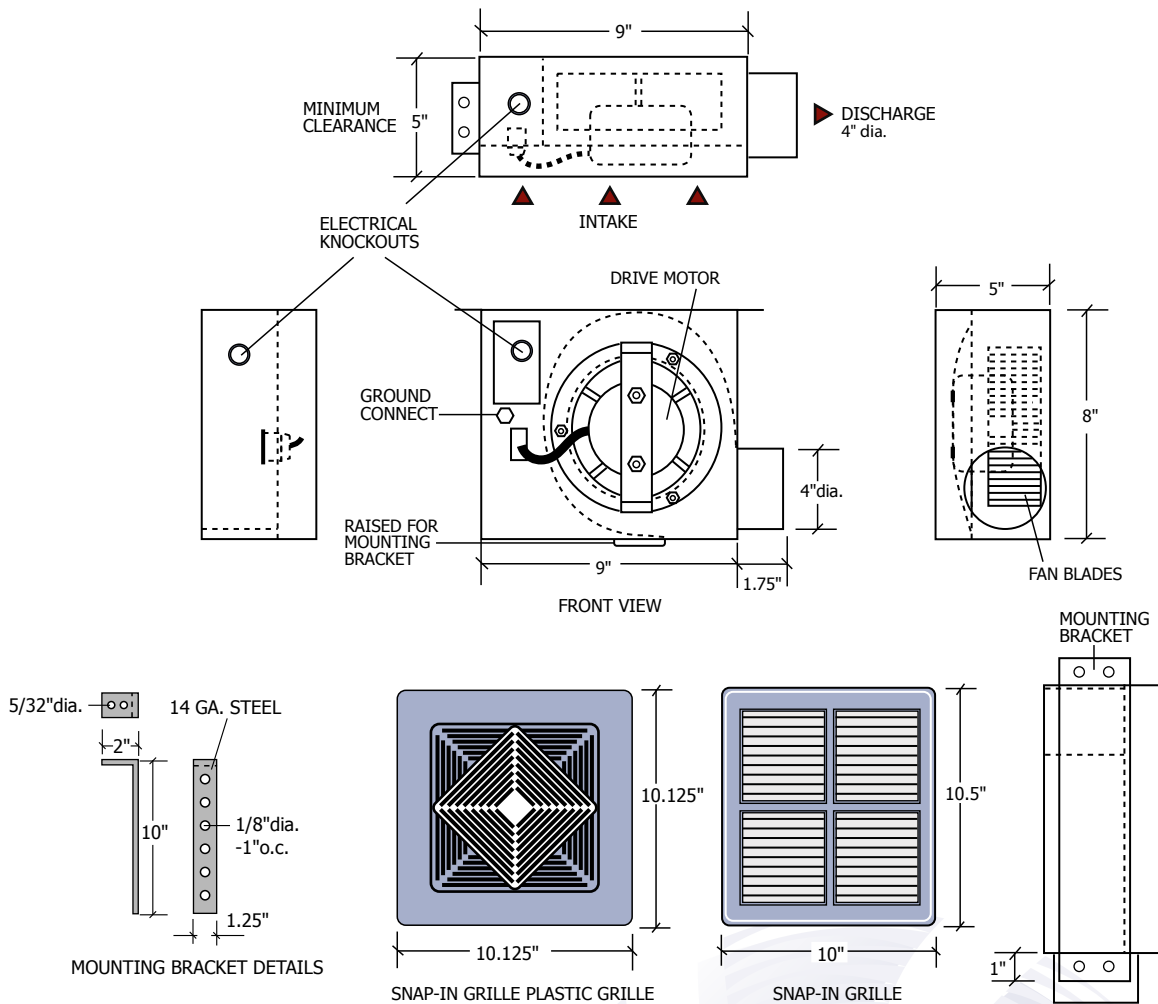
Optional:

- Plastic snap-in grille
- Variable speed control
- Aluminum backdraft damper
- Hi-Impact Polystyrene collar



Reversomatic Manufacturing Ltd.

790 Rowntree Dairy Road, Woodbridge, ON Canada L4L 5V3 • Tel: 905-851-6701 • Fax: 905-851-8376
www.reversomatic.com • info@reversomatic.com



HVI CERTIFIED RATINGS

MODEL	SONES	CFM @ 0.10" S.P.
RS-85	2.5	80

FAN DATA

MODEL	MOTOR 120 VAC 60 Hz			CUBIC FEET PER MINUTE						
	RPM	AMPS	S.P.	0.00	0.05	0.10	0.20	0.25	0.30	0.40
RS-85	1080	0.35	CFM	87	84	80	72	65	50	38

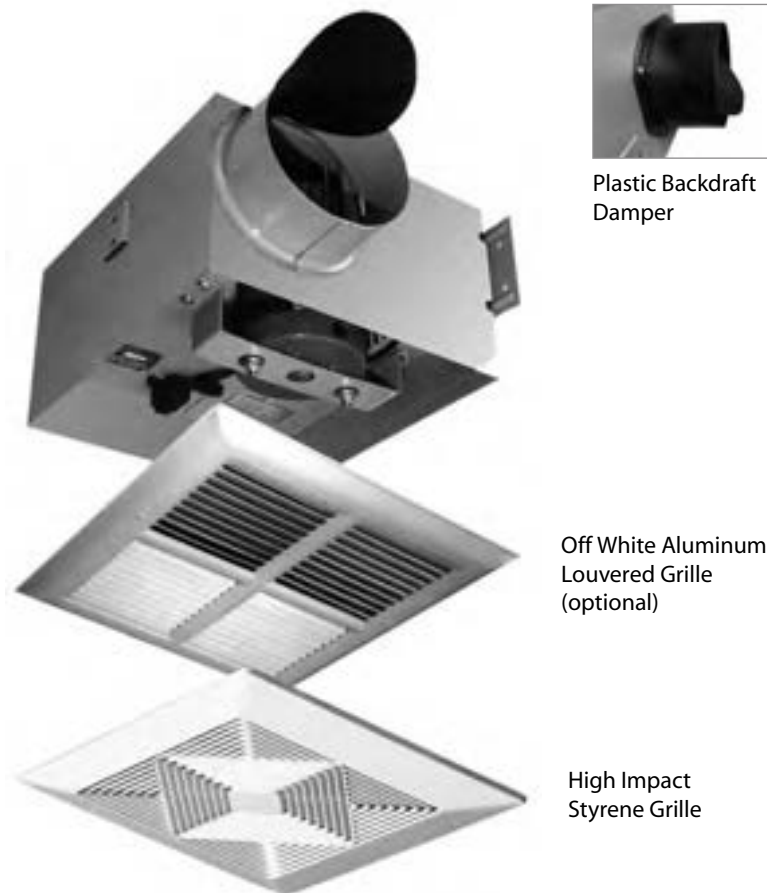
RPM (Revolution Per Minute) shown is nominal and performance is based on actual speed of test. Unit was tested with inlet grille, backdraft damper and outlet duct.

Contractor:	RS-85 (EB-80 US model)		
Architect:	Job:	Data	Supersedes
Engineer:	Date Submitted:		Drawing NO.

Reversomatic Manufacturing Ltd.

BATHROOM EXHAUST FANS

The RS-90 and RS-100 fans have been specially designed for bathrooms in residential units that require exceptionally low noise levels. These fans are manufactured with a squirrel cage impeller for high performance. The slim housing design allows for easy installation in those tight ceiling and wall spaces. The fans meet Washington State Ventilation and Indoor Air Quality Code.

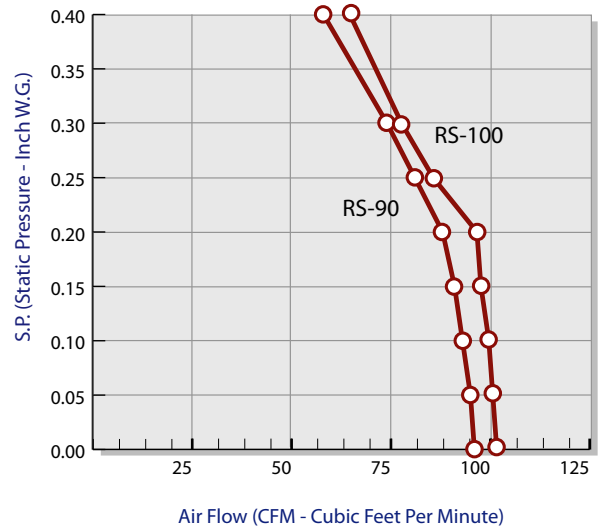


Plastic Backdraft Damper

Off White Aluminum Louvered Grille (optional)

High Impact Styrene Grille

RS-90 & RS-100 FAN DATA



ACCESSORIES

Standard:

- Plastic snap-in grille
- Plastic backdraft damper or metal collar with neoprene damper
- Mounting bracket

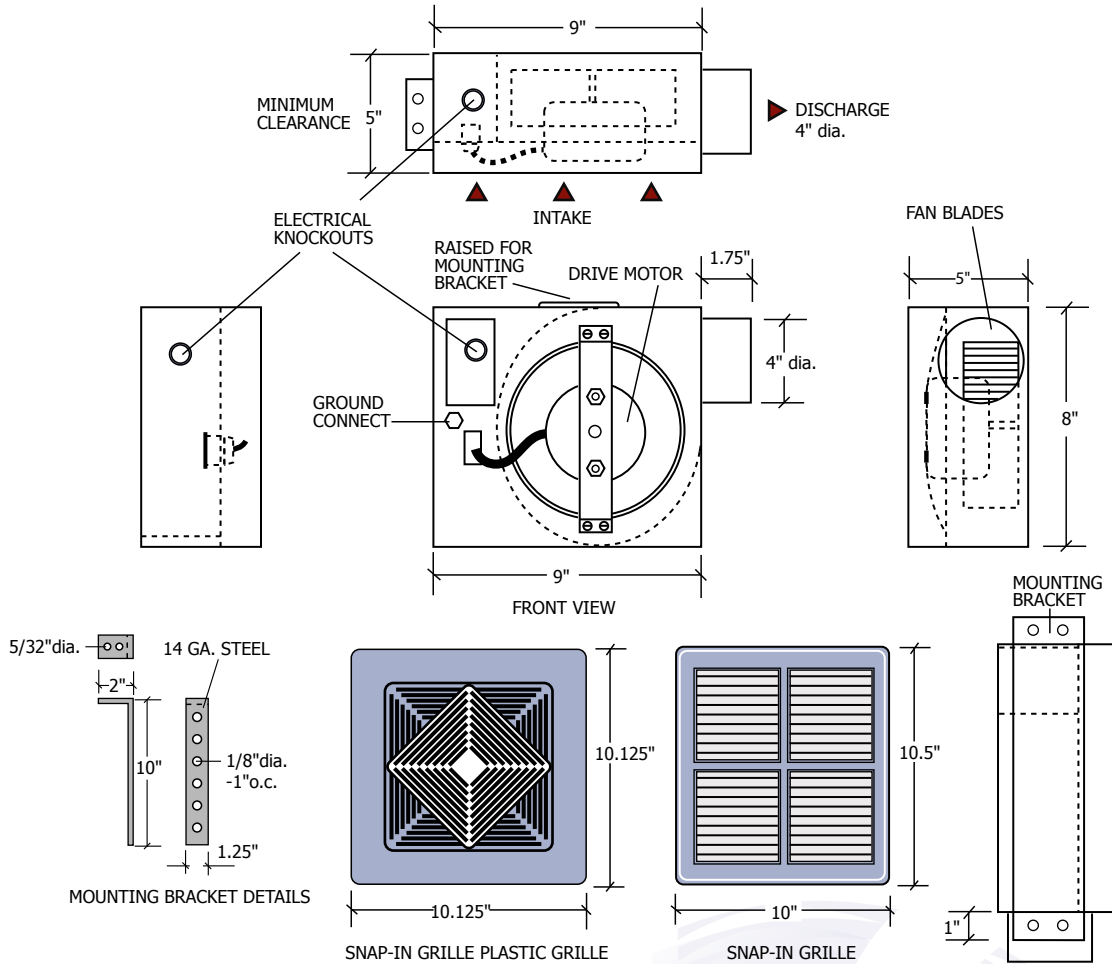
Optional:

- Variable speed control
- Aluminum backdraft damper
- Off white aluminum grille



Reversomatic Manufacturing Ltd.

790 Rowntree Dairy Road, Woodbridge, ON Canada L4L 5V3 • Tel: 905-851-6701 • Fax: 905-851-8376
www.reversomatic.com • info@reversomatic.com



HVI CERTIFIED RATINGS

MODEL	SONES	CFM @ 0.10" S.P.
RS-90	2.5	90
RS-100	2.5	100

FAN DATA

MODEL	MOTOR 120 VAC 60 Hz		CUBIC FEET PER MINUTE								
	RPM	AMPS	S.P.	0.00	0.05	0.10	0.15	0.20	0.25	0.30	0.40
RS-90	1500	0.50	CFM	96	95	93	91	88	81	74	58
RS-100	1500	0.70	CFM	102	101	100	98	97	86	78	65

RPM (Revolution Per Minute) shown is nominal and performance is based on actual speed of test. Unit was tested with inlet grille, backdraft damper and outlet duct.

Contractor:	RS-90, RS-100		
Architect:	Job:	Data	Supersedes
Engineer:	Date Submitted:		Drawing NO.

Reversomatic Manufacturing Ltd.

790 Rowntree Dairy Road, Woodbridge, ON Canada L4L 5V3 • Tel: 905-851-6701 • Fax: 905-851-8376
 www.reversomatic.com • info@reversomatic.com



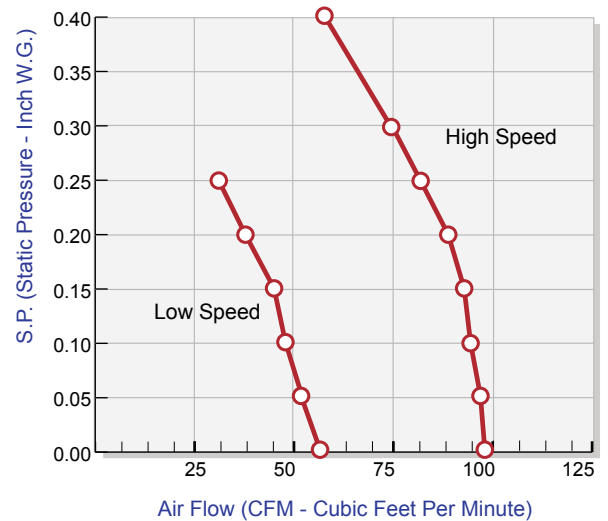
RS-90-2 (Two Speed)

Constant Ventilation Fan
MAY 2010

BATHROOM EXHAUST FANS

The RS-90-2 fans has been specially designed for bathrooms in residential units that require exceptionally low noise levels and constant ventilation. These fans are manufactured with a squirrel cage impeller for high performance. The slim housing design allows for easy installation in those tight ceiling and wall spaces.

RS-90-2 FAN DATA



Plastic Backdraft Damper

Off White Aluminum Louvered Grille (optional)

Styrene Grille

ACCESSORIES

Standard

- Plastic snap-in grille
- Plastic backdraft damper or metal collar with neoprene damper
- Mounting bracket

Optional:

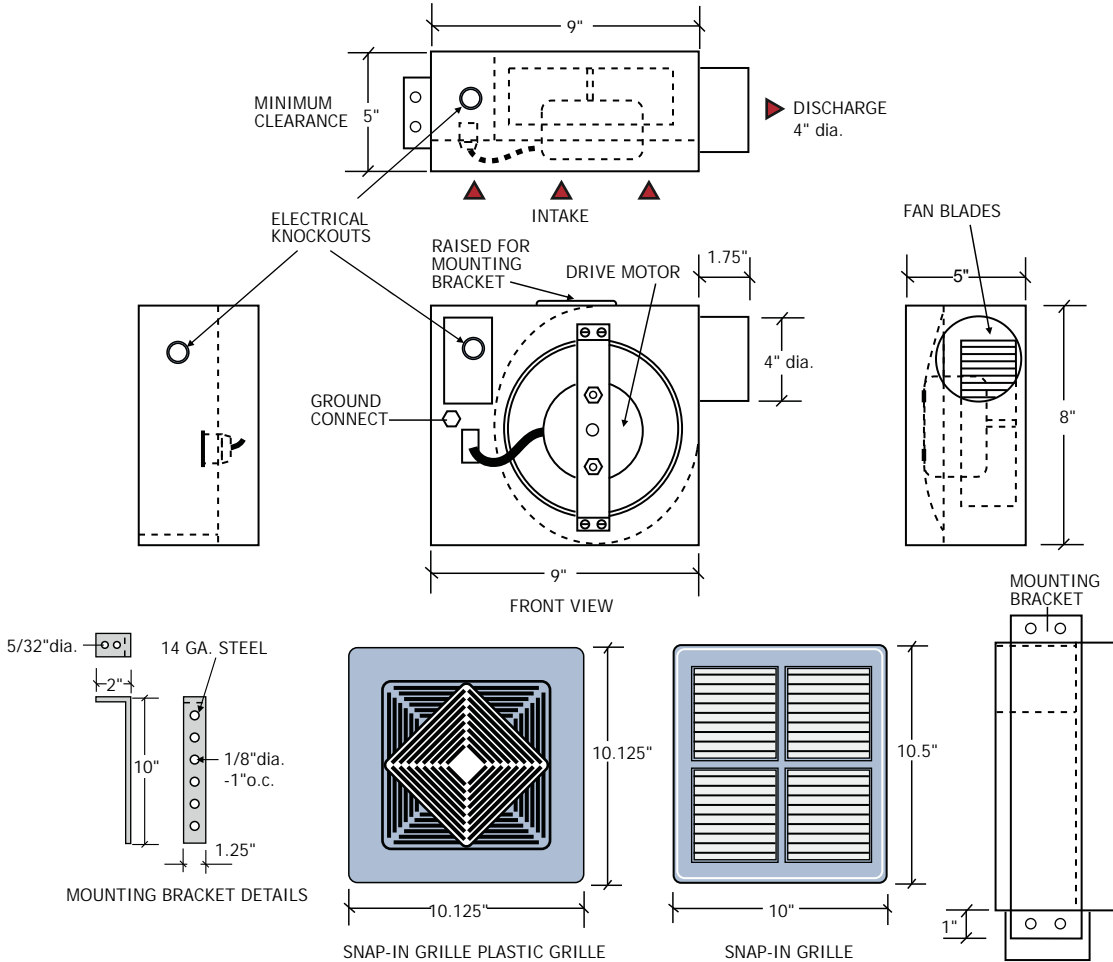
- Aluminum backdraft damper
- Off white aluminum grille
- 3 position toggle switch (on/off/on)



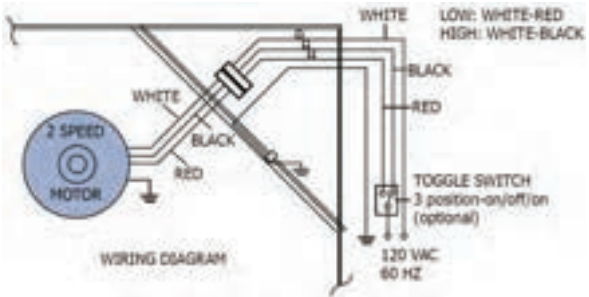
Reversomatic Manufacturing Ltd.

790 Rowntree Dairy Road, Woodbridge, ON Canada L4L 5V3 • Tel: 905-851-6701 • Fax: 905-851-8376
www.reversomatic.com • info@www.reversomatic.com

RS-90-2 (Two Speed)



Wiring Diagram:



HVI RATING:
90 CFM @ 0.10" S.P., 2.5 Sones
(High Speed Only)

FAN DATA

MODEL	MOTOR 120 VAC 60 Hz		CUBIC FEET PER MINUTE									SONE @ 0.10
	RPM	AMPS	S.P.	0.00	0.05	0.10	0.15	0.20	0.25	0.30	0.40	
RS-90-2	1500	0.50	CFM	96	95	93	91	88	81	74	58	2.5
	1100	0.35	CFM	56	52	48	43	36	30	-	-	0.7

RPM (Revolution Per Minute) shown is nominal and performance is based on actual speed of test. Unit was tested with inlet grille, backdraft damper and outlet duct.

Contractor:	RS-90-2 (Two Speed)			
Architect:	Job:	Date	Supersedes	Drawing No.
Engineer:	Date Submitted:			



BATHROOM EXHAUST FAN

The EB-100 fan has been specially designed for bathrooms in residential units which require low noise levels. It has been manufactured with a squirrel cage plastic impeller for high performance, slim housing allows for easy installation in those tight ceiling and wall spaces.

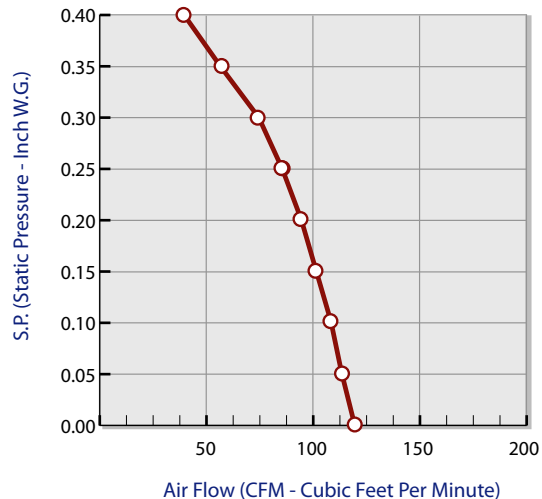


Plastic Backdraft Damper

High Impact Styrene Grille

Off White Aluminum Louvered Grille (optional)

EB-100 FAN DATA



ACCESSORIES

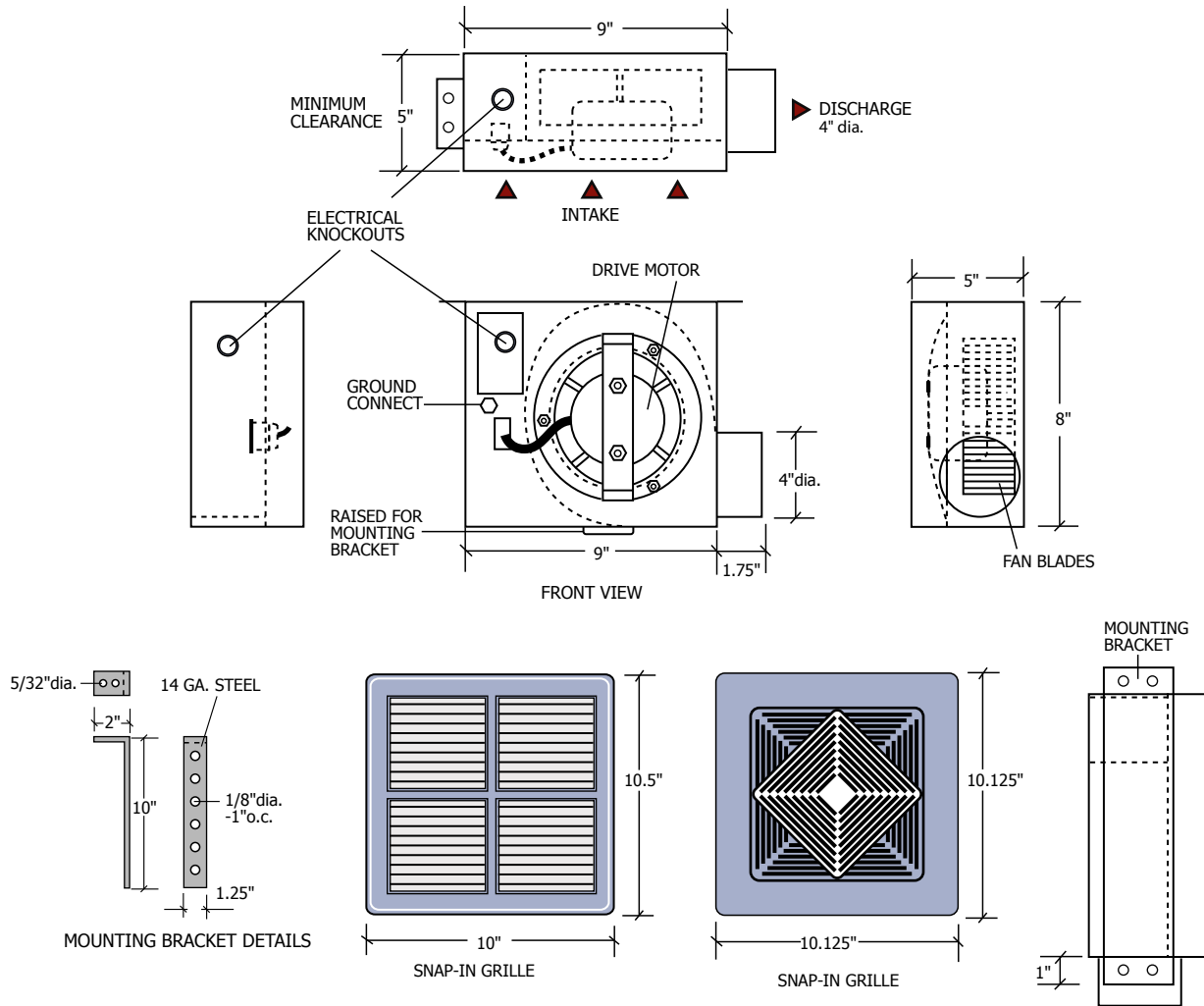
Standard:

- Mounting bracket
- High impact styrene grille
- Plastic backdraft damper or metal collar with neoprene damper

Optional:

- Off white aluminum grille
- Aluminum backdraft damper
- Variable speed control





HVI CERTIFIED RATINGS

MODEL	SONES	CFM @ 0.10" S.P.
EB-100	3.0	100

FAN DATA

MODEL	MOTOR 120 VAC 60 Hz		CUBIC FEET PER MINUTE									
	RPM	AMPS	S.P.	0.00	0.05	0.10	0.15	0.20	0.25	0.30	0.35	0.40
EB-100	1550	0.6	CFM	120	114	109	102	95	86	75	57	40

RPM (Revolution Per Minute) shown is nominal and performance is based on actual speed of test. Unit was tested with inlet grille, backdraft damper and outlet duct.

Contractor:	EB-100		
Architect:	Job:	Data	Supersedes
Engineer:	Date Submitted:		Drawing NO.

Reversomatic Manufacturing Ltd.

790 Rowntree Dairy Road, Woodbridge, ON Canada L4L 5V3 • Tel: 905-851-6701 • Fax: 905-851-8376
 www.reversomatic.com • info@reversomatic.com

Room-to-Room In-Wall TRANSFER FAN

Model HT145

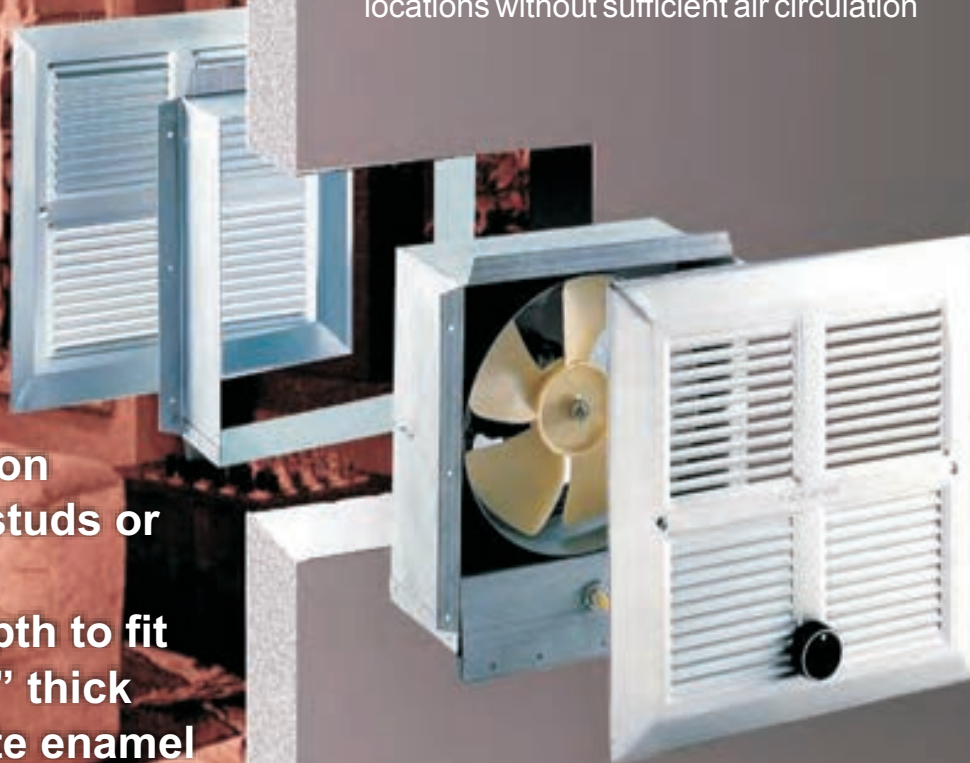
- Easy installation between wall studs or ceiling joists
- Adjustable depth to fit walls 4" to 5.5" thick
- Attractive white enamel two deflection grills
- Variable speed ON-OFF switch for greater air volume control
- Quiet operation even at maximum speed setting
- Energy efficient motor
- 145 cubic feet of air at maximum speed

Raitings:

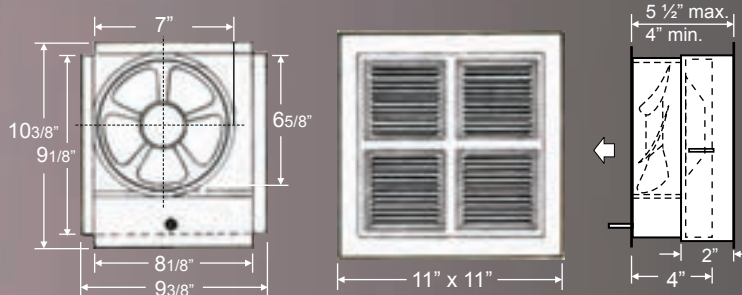
2.6 Sones - High Speed

1.5 Sones - Operating Speed

The HT145 Transfer Fan is designed to transfer air from one room to another. Ideal for transferring hot air in the winter and cool air in the summer or even stale humid air in ventilated locations without sufficient air circulation

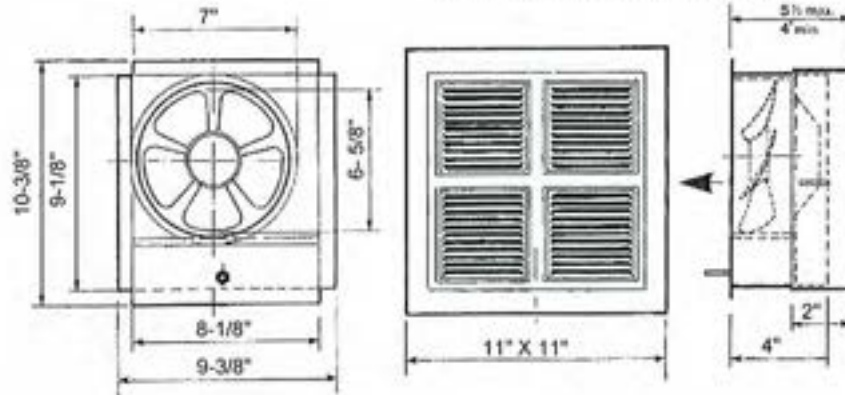


The housing is designed for easy installation and incorporates a variable speed control with minimum and maximum settings to obtain 55 to 145 C.F.M. Also included are two attractive white enamel two way deflection grilles.



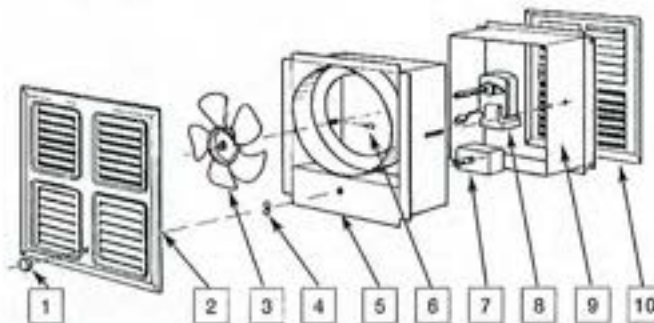
TECHNICAL DATA

The housing is designed for easy installation and incorporates a variable speed control with minimum and maximum settings to obtain 55 to 145 C.F.M. Also included are two attractive white enamel two way deflection grilles.

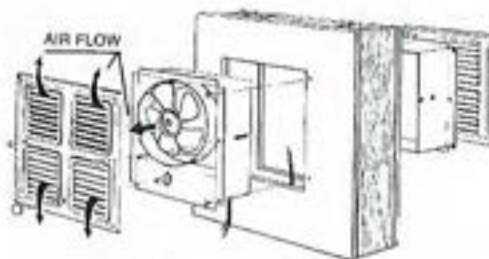


PARTS LIST

1. Speed Control Knob
2. Outlet Grille
3. 6-5/8" Plastic Fan Blade
4. Nut
5. Fan Housing
6. Side Selftaping Screw
7. Speed Control
8. Motor
9. Telescoping Sleeve
10. Inlet grille



INSTALLATION INSTRUCTIONS



Cut a hole in the wall 8.5" x 9" using telescoping sleeve for the cutting in desired area of the wall between studs or ceiling joists.

Please Note: The HT145 FAN can be installed vertically or horizontally. Check air flow on diagram and turn the fan to acquire desired direction of air flow. Run 115/1/60 (normal house current) to the opening. The fan comes complete with an on-off variable speed controller. If the fan is within arms reach a second switch is not necessary.

Install the sleeve only, leaving the grille unattached for the moment. Secure the sleeve with 4 of the screws provided. Remove the electrical cover in the fan and

insert the wire. Use a connector on the outside of the electrical cover in the fan and insert the wire. Use a connector on the outside of the electrical box. Connect the fan leads to the supply wire and replace the electrical cover. Install the HT145 FAN in place, joining the preinstalled sleeve. Once the fan and sleeve are in place, secure the flange of the fan with 4 screws and secure the fan to the sleeve with remaining 2 screws if necessary.

Install both grilles and your HT145 is ready to save you money.

SOUND RATING (AT HIGH SPEED)

Model	OCTAVE BAND CENTER FREQ 1/2	1	2	3	4	5	6	7	8	
		63	125	250	500	1000	2000	4000	8000	
HT-145	IN W.G.	0.00	62	55	56	57	55	47	49	50
	STATIC	0.19	60	55	54	54	52	44	46	47
	PRESSURE	0.41	62	55	52	50	46	41	43	50

RATING :

- 2.6 SONES - HIGH SPEED
- 1.5 SONES - LOW SPEED

THE SOUND POWER LEVEL RATINGS SHOWN ARE IN DECIBELS, REFERRED TO 10⁻¹² WATTS CALCULATED PER AMCA STANDARD 301. VALUES SHOWN ARE FOR INLET LOW SOUND POWER LEVELS FOR INSTALLATION TYPE B: FREE INLET, DUCTED OUTLET. RATINGS DO NOT INCLUDE THE EFFECTS OF DUCT END CORRECTION.

CONTRACTOR		HT145 TRANSFER FAN DETAIL		
ARCHITECT	JOB	DATE	SUPERSEDES	DRAWING NO.
ENGINEER	DATE SUBMITTED	REVERSOMATIC Mfg. Ltd Toronto, Ontario		



BF-5, BF-6, BF-7, BF-8, BF-9

BOOSTER FANS ARE USED FOR TRANSFERRING HOT OR COLD AIR IN PIPE SYSTEMS. BOOSTER FANS ARE EASY TO INSTALL AND FIT IN ROUND DUCT LINES.

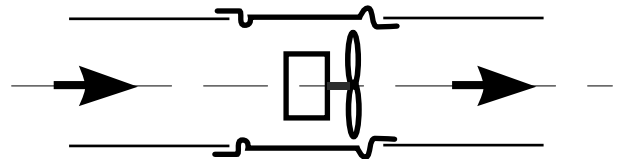
BOOSTER FAN



OPERATION AND INSTALLATION

BOOSTER FAN has a female collar on the incoming side and a male crimp on the outgoing side so it fits right into a standard 5", 6", 7", 8" or 9" round duct.

BOOSTER FAN can be operated and connected by using an on/off switch and power source of 120V, 60Hz.

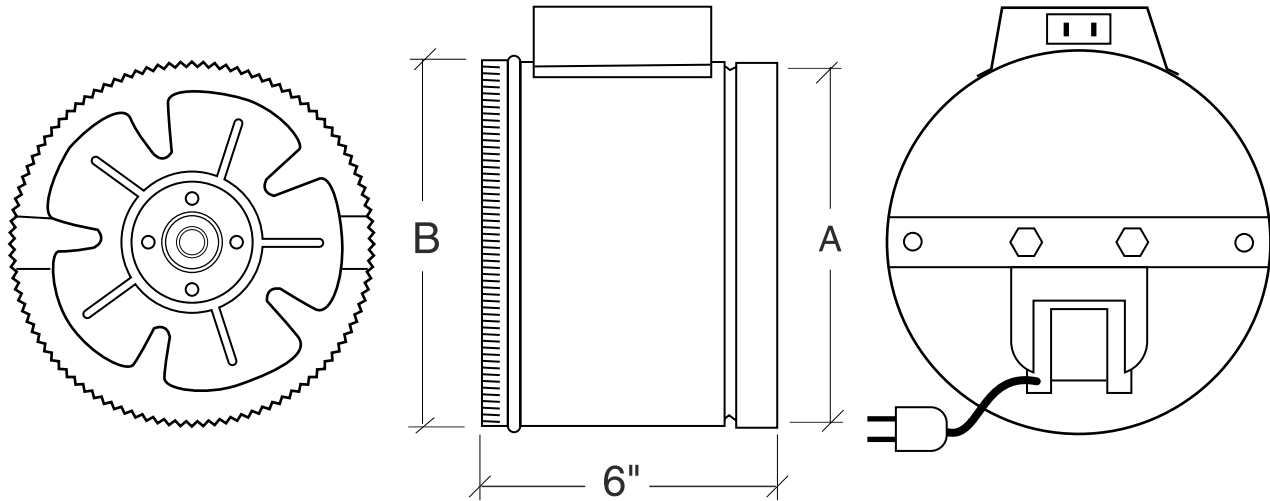


Reversomatic Manufacturing Ltd.

790 Rowntree Dairy Road, Woodbridge, ON Canada L4L 5V3 • Tel: 905-851-6701 • Fax: 905-851-8376
www.reversomatic.com • info@reversomatic.com

BF-5, BF-6, BF-7, BF-8, BF-9

BOOSTER FAN



FAN DATA

MODEL	MOTOR	BLADE	C.F.M.	S.P.
BF-5	1.00A CCW	Alum: 4.5" dia.	60	0
BF-6	0.76A CCW	Alum: 5" dia.	90	0
BF-7	0.90A CCW	Alum: 6" dia.	120	0
BF-8	1.20A CCW	Alum: 7" dia.	160	0
BF-9	0.86A CCW	Alum: 8" dia.	220	0

DIMENSIONS

MODEL	A	B
BF-5	5"	4.875"
BF-6	6"	5.875"
BF-7	7"	6.875"
BF-8	8"	7.875"
BF-9	9"	8.875"

Contractor:	BOOSTER FAN		
Architect:	Date	Supersedes	Drawing No.
Engineer:			

Reversomatic Manufacturing Ltd.

790 Rowntree Dairy Road, Woodbridge, ON Canada L4L 5V3 • Tel: 905-851-6701 • Fax: 905-851-8376
www.reversomatic.com • info@reversomatic.com

FAN WITH SPECTROLITE "LT" SERIES

With or without Fire Fighter Damper

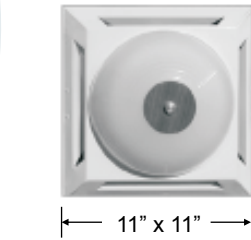
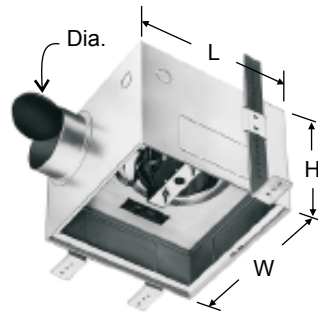
Lighting Features:

- Exclusive Integrated Chip Technology
- Soft Start For Extended Life
- Instant - On, No Flicker
- Uses 20 W Of Power While Providing More Than 85 W Of Light
- Saves 75%-80% Energy
- Bulb Rated: 12,000 Hours Reduces Maintenance Cost
- Replaceable Bulb Outlasts 16 Standard Light Bulbs
- Low Heat Generation Extends Life Of Lamp And Reduces Air-conditioning Cost

ENERGY STAR FANS WITH SPECTROLITE (LT Series)

MODEL	CFM	SONES
QB-80LT	70	0.6
QCF-80ES-LT	100	0.5
QCF-110ES-LT	124	2.0
QCF-125ES-LT	124	2.0
QCF-130ES-LT	136	1.3
QK-130ES-LT	120	1.5
CF-170ES-LT	179	1.5
QK-150ES-LT	154	1.0
QK-160ES-LT	173	1.5
QK-180ES-LT	203	2.0

*Refer page 6 & 7 for dimensions and performance
 *QK150, 160 & 180 ES-LT Models are not available with Fire Damper



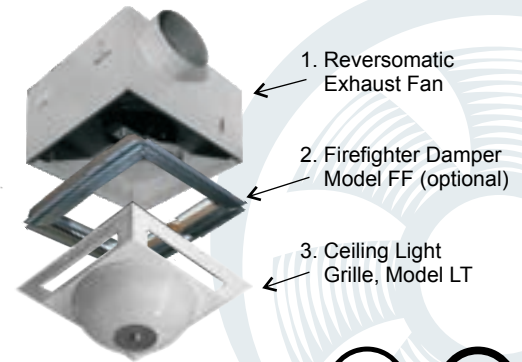
QK150ES-LT,
 QK160ES-LT,
 QK180ES-LT
 Grille

Standard Features:

- Fluorescent Light Included
- Continuous Duty Life Time Lubricated Motor With Thermal Protection
- Universal Mounting Brackets
- Plug Type Disconnect

FAN DIMENSIONS

MODEL	L"	W"	H"	H" w/ FF damper	COLLAR dia.
EB50-70LT	9	8	4	7.5	3
EB80-100LT	9	8	5	7.5	4
RS90-100LT	9	8	5	7.5	4
QB80-120LT	10	10	7.5	7.5	4
QB130LT	10	10	7.5	10.5	5
QB200LT	10	10	7.5	7.5	5
QCF95-125LT	10	10	7.5	10.5	5
QCF170LT	10	10	8.25	11.0	5



NOTE:

Bulb contains Mercury, dispose it according to local, state & federal laws and regulations.

Optional Features:

- Speed Controller
- Built In Fire Radiation Damper (See FF series p.11)
- Neoprene Vibration Isolator



Rated for UL 555C Ceiling Assemblies up to 3 Hours.

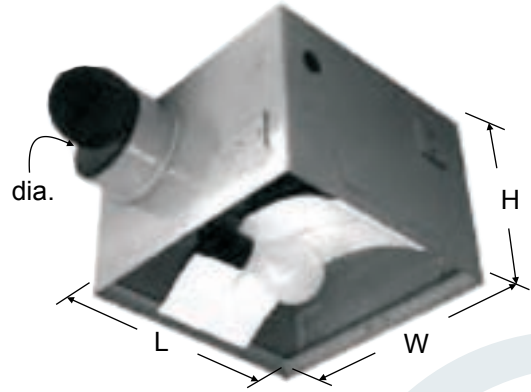
FAN WITH SPECTROLITE "LT" SERIES PERFORMANCE CHART

MODEL	RPM	AMPS	S.P.	0.00	0.10	0.15	0.20	0.25	0.30	0.40	0.50	0.60	SONES
EB50LT	1800	0.76		55	50	45	40	34	28	-	-	-	2.5
EB60LT	2000	0.90		65	61	59	58	57	55	48	43	36	2.5
EB70LT	2200	1.20		66	63	62	62	61	60	53	51	45	3.5
EB80LT	1080	0.35		87	80	76	72	62	52	-	-	-	2.5
EB100LT	1400	0.60		113	102	94	86	76	65	56	-	-	3.0
RS90LT	1500	0.50		96	93	91	88	81	74	58	-	-	2.5
RS100LT	1500	0.70		102	100	98	97	86	78	65	-	-	2.5
QCF95LT	1050	0.35	CFM	98	87	81	71	50	27	-	-	-	1.3
QCF110LT	1050	0.60		115	105	102	93	85	74	37	-	-	1.0
QCF125LT	1050	0.60		126	118	117	115	112	108	90	66	44	1.0
QCF170LT	1400	0.70		158	144	140	129	120	111	94	-	-	1.5
QB80LT	1080	0.35		77	69	64	60	52	45	-	-	-	2.0
QB100LT	1550	0.60		115	105	98	92	82	73	47	-	-	2.5
QB130LT	1400	0.70		120	119	116	108	100	91	68	-	-	2.0
QB200LT	1550	1.40		201	196	193	190	186	182	172	160	145	4.5

*For Fire Damper add "FF" after model number (ex. EB50LTFF)
 *Not designed for in-line

SPECTROLITE FAN "L" SERIES

FAN WITH LIGHT COMBINATION



FEATURES:

- Attractive Styling
- Heavy Gauge Non Corrosive satin Coat Construction
- Simplified Mounting System
- Motor Mounted on Neoprene Mounts for Quiet Vibration Free Operation

FAN DIMENSIONS

MODEL	L"	W"	H"	COLLAR dia.
EBL50-70	9	8	7.5	3
EBL80-100	9	8	7.5	4
QBL80-120	10	10	7.5	4
QBL130	10	10	10.5	5
QBL200	10	10	7.5	5
QCFL95-125	10	10	10.5	5
QCFL170	10	10	11.0	5

NOTE:

- Bulb not included
- Maximum 60W Incandescent
- For more light and energy saving use CFL Bulb.



- Bulb contains Mercury, dispose it according to local, state & federal laws and regulations.

STANDARD FEATURES:

- White Aluminum Grille
- Continues Duty Life Time Lubricated Motor with Thermal Protection
- Universal Mounting Brackets
- Plug Type Disconnect

OPTIONAL FEATURES:

- Speed Controller
- Neoprene Vibration Isolator

SPECTROLITE FAN "L" SERIES PERFORMANCE CHART

MODEL	RPM	AMPS	S.P.	0.00	0.10	0.15	0.20	0.25	0.30	0.40	0.50	0.60	SONES
EBL50	1800	0.76		55	50	45	40	34	28	-	-	-	2.5
EBL60	2000	0.90		65	61	59	58	57	55	48	43	36	2.5
EBL70	2200	1.20		66	63	62	62	61	60	53	51	45	3.5
EBL80	1080	0.35		87	80	76	72	62	52	-	-	-	2.5
EBL100	1400	0.60		113	102	94	86	76	65	56	-	-	3.0
QCFL95	1050	0.35		98	87	81	71	50	27	-	-	-	1.3
QCFL110	1050	0.60	CFM	115	105	102	93	85	74	37	-	-	1.0
QCFL125	1050	0.60		126	118	117	115	112	108	90	66	44	1.0
QCFL170	1400	0.70		158	144	140	129	120	111	94	-	-	1.5
QBL80	1000	0.35		77	69	64	60	53	45	-	-	-	2.0
QBL100	1550	0.60		115	105	98	92	82	73	47	-	-	2.5
QBL120	1650	0.9		126	118	110	105	96	88	60	-	-	3.3
QBL130	1400	0.70		120	119	116	108	100	91	68	-	-	2.0
QBL200	1550	1.40		201	196	193	190	186	182	172	160	145	4.5

* Not designed for in-line

FL-80 Fan/Lamp Bathroom Fan FLH Fan/Lamp-Heater Bathroom Fan

This bathroom fan is a single bulb combination fan and lamp or fan and heater lamp. It has the capability of exhausting air quietly and efficiently while enjoying 250 watt heat lamp.

FEATURES:

- Quiet and Efficient Centrifugal Blower
- Plug-in Lifetime Lubricated Motor
- White epoxy Painted Aluminum Grille
- Sturdy Heavy Gauge Satin Coat Galvanized Construction
- Simplified Mounting System

* 250W Light Bulb not Included



STANDARD FEATURES:

- White aluminum grille
- Continuous duty life time lubricated motor with thermal protection
- Universal mounting brackets
- Neoprene vibration isolator
- Plug type disconnect

OPTIONAL FEATURES:

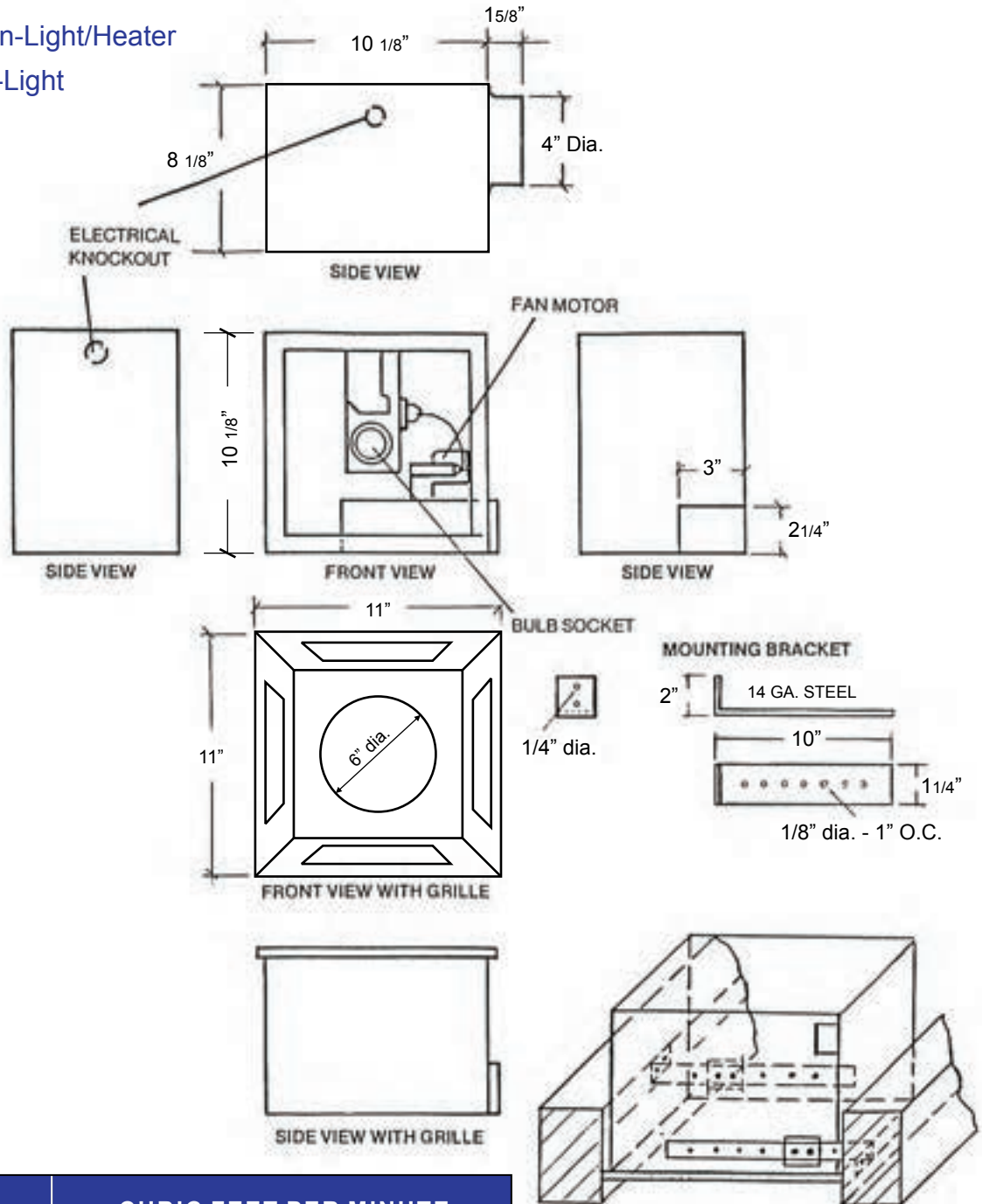
- Speed controller
- Termination kit



Reversomatic Manufacturing Ltd.

790 Rowntree Dairy Road, Woodbridge, ON Canada L4L 5V3 • Tel: 905-851-6701 • Fax: 905-851-8376
www.reversomatic.com • info@reversomatic.com

Model FLH80 - Fan-Light/Heater
 Model FL80 - Fan-Light



FAN DATA

MOTOR 120 VAC 60 Hz			CUBIC FEET PER MINUTE						
RPM	AMPS	HP	S.P.	0.0	0.10	0.20	0.30	0.40	0.50
2200	1.12	1/20	CFM	80	73	64	60	55	48

RPM (Revolution Per Minute) shown in nominal and performance is based on actual speed of test.

Contractor:	FL-80 and FLH-80		
Architect:	Date	Supersedes	Drawing No.
Engineer:			

Reversomatic Manufacturing Ltd.

790 Rowntree Dairy Road, Woodbridge, ON Canada L4L 5V3 • Tel: 905-851-6701 • Fax: 905-851-8376
 www.reversomatic.com • info@reversomatic.com

FLAT FLUORESCENT LIGHT-FAN "FFL SERIES"

with or without Fire Fighter Ceiling Damper



*INTRODUCING OUR
NEW FAN-LIGHT
COMBINATION WITH BUILT
IN OR WITHOUT FIRE
FIGHTER CEILING DAMPER*



FAN-LIGHT COMBINATION
WITH BUILT IN FIRE FIGHTER
CEILING DAMPER RATED
FOR UL 555C CEILING
ASSEMBLIES UP TO 3 HOURS



FAN-LIGHT COMBINATION
WITHOUT FIRE FIGHTER
CEILING DAMPER

FEATURES

ATTRACTIVE STYLING

HEAVY GAUGE NON CORROSIVE
SATIN COAT CONSTRUCTION HOUSING

SIMPLIFIED MOUNTING SYSTEM

LOW HEAT GENERATION EXTENDS
LIFE OF LAMP AND REDUCES
AIRCONDITIONING COST

INSTANT - ON, NO FLICKER

SAVES 75% - 81% ENERGY

BULB - EASY TO REPLACE

March 12, 2009



REVERSOMATIC

MANUFACTURING LIMITED

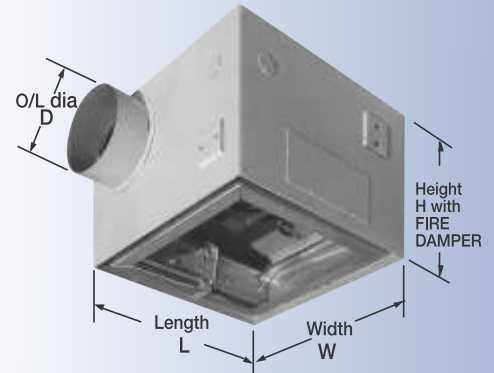
www.reversomatic.com

FLAT FLUORESCENT LIGHT-FAN "FFL SERIES"

Fan Model #	Length L	Width W	Height H without FIRE DAMPER	Height H with FIRE DAMPER	O/L dia. D
EB-45, 50, 55	9"	8"	7.5"	7.5"	3"
B-60, QB-60	9"	8"	7.5"	7.5"	3"
RS-85	9"	8"	7.5"	7.5"	4"
RS-90, 100	9"	8"	7.5"	7.5"	4"
EB -100	9"	8"	7.5"	7.5"	4"
B-100	10"	10"	7.5"	7.5"	4"
QB-100S	10"	10"	7.5"	7.5"	4"
BB-100	10"	10"	7.5"	7.5"	4"
K-100	10"	10"	7.5"	7.5"	4"
QK-100	10"	10"	7.5"	7.5"	5"
BK-100	10"	10"	7.5"	7.5"	5"
QCF-95	10"	10"	7.5"	10.5"	5"
QCF-110	10"	10"	7.75"	10.5"	5"
QCF-125	10"	10"	7.5"	10.5"	5"
CF-130	10"	10"	7.75"	10.5"	5"
CF-170	10"	10"	8.25"	10.5"	5"
QCF-150	12"	12"	8"	10.125"	5"
CFS-150	12"	12"	8"	10.125"	5"
CFS-250	12"	12"	8"	10.5"	5"
CFS-350	12"	12"	9"	11.25"	6"
QCF-125 ES	10"	10"	7.5"	10.5"	5"
CF-170 ES, BC	10"	10"	8.25"	10.5"	5"
QB-80	10"	10"	7.5"	7.5"	4"
QB-80 LT	10"	10"	7.5"	7.5"	4"

ENERGY STAR FANS

QCF-80 ES	10"	10"	7.5"	9.25"	5"
QCF-110 ES	10"	10"	7.75"	10.5"	5"
QCF-130 ES, BC	10"	10"	7.5"	10.5"	5"
QK-130 ES	10"	10"	7.5"	9.25"	5"
QK-150 ES	12"	12"	8"	10.25"	6"
QK-160 ES	12"	12"	9"	11.25"	5"
QK-180 ES	12"	12"	9"	11.25"	6"



FAN WITH BUILT IN FIRE FIGHTER CEILING DAMPER

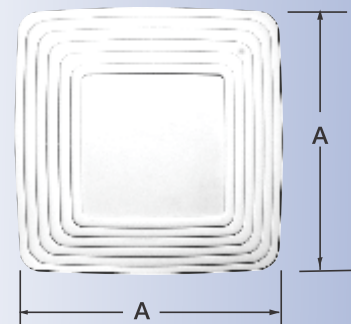
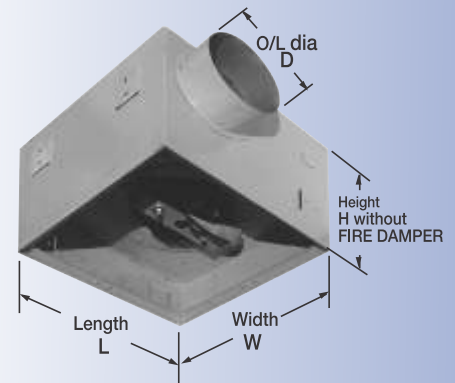
ACCESSORIES

STANDARD

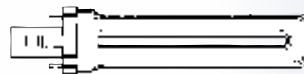
- 26 W FLUORESCENT LIGHT BALLAST
- CONTINUOUS DUTY LIFE TIME LUBRICATED MOTOR WITH THERMAL PROTECTION
- MOUNTING BRACKETS
- PLUG TYPE DISCONNECT
- PLASTIC FLAT FLUORESCENT LIGHT GRILLE

OPTIONAL

- SPEED CONTROLLER
- ALUMINUM BACK DRAFT DAMPER
- NIGHT LIGHT - 3 W
- MOTION SENSOR
- HUMIDITY SENSOR
- PLASTIC BACK DRAFT DAMPER (only for fan without Fire Fighter Damper)



FLUORESCENT PLASTIC LIGHT GRILLE



FLUORESCENT LIGHT BULB
4 pins, 26 W (not supplied)
Bulb lasts up to 10,000 hours
Reduces maintenance cost

NOTE:

BULB CONTAINS MERCURY, DISPOSE IT ACCORDING TO LOCAL, STATE & FEDERAL LAWS AND REGULATIONS

HOISING L x W	GRILLE SIZE A x A
9" x 8"	12 ¹ / ₈ " x 12 ¹ / ₈ "
10" x 10"	12 ¹ / ₈ " x 12 ¹ / ₈ "
12" x 12"	13 ¹ / ₂ " x 13 ¹ / ₂ "



REVERSOMATIC
MANUFACTURING LIMITED

790 ROWNTREE DAIRY ROAD . WOODBRIDGE, ONTARIO, CANADA L4L 5V3
PHONE (905) 851-6701 . FAX (905) 851-8376
www.reversomatic.com • EMAIL: info@reversomatic.com



RANGE HOODS



Reversomatic Manufacturing Ltd.

790 Rowntree Dairy Road, Woodbridge, ON Canada L4L 5V3 • Tel: 905-851-6701 • Fax: 905-851-8376
www.reversomatic.com • info@reversomatic.com

Range Hood DELUXE 4000-250ES2



*DOUBLE INTAKE MOTORS
DOUBLE CONTROLS
AVAILABLE W/ FRESH AIR INTAKE*

ATTRACTIVE LOW-PROFILE, SLIM DESIGN WITH A ROUNDED FRONT AND MITERED CORNERS TO COMPLIMENT TODAY'S STYLISH AND MODERN KITCHENS. RANGE HOOD DELUXE 4000-250ES2 CAPTURES AIR-BORNE GREASE AND OIL AND TRAPS THESE UNWANTED CONTAMINANTS IN THE EXTRA LARGE WASHABLE ALUMINUM MESH. REMOVES ALL POLLUTION SUCH AS STEAM, SMOKE AND ODORS BY USING POWERFUL BUT QUIET MOTORS. YOU DECIDE THE NOISE LEVEL AND THE EXHAUST CAPACITY YOU NEED FOR YOUR CHANGING COOKING REQUIREMENTS BY USING THE INFINITE SPEED CONTROLS.

MAY 2010



REVERSOMATIC
MANUFACTURING LIMITED

790 Rowntree Dairy Road, Woodbridge, ON, Canada L4L 5V3
Tel: 905-851-6701 • Fax: 905-851-8376 • info@reversomatic.com
www.reversomatic.com

Range Hood

DELUXE 4000-250ES2



Our powerful, high performance range hood with centrifugal blower wheel is capable of exhausting smoke and odour under most duct design conditions.

It offers an unique streamlined design that will maintain its elegance in any kitchen. Two state speed control gives you an infinite range of settings.

Permanent aluminum-mesh grease filter and light lens clamp in and out for easy cleaning and easy installation. It has a pre-wired junction box with plug in motors, also convenient top or back wiring entrance and keyhole mounting slots.

Available in sizes 30" and 36". Finish: baked on enamel in your choice of colours.

Model 4000-250ES2 is also available with Fresh Air Intake for better ventilation.

We recommend to use a fluorescent 4 pin 18 watt bulb on this unit (such as Panasonic FDS18E35/4 or equivalent). Bulb not supplied.

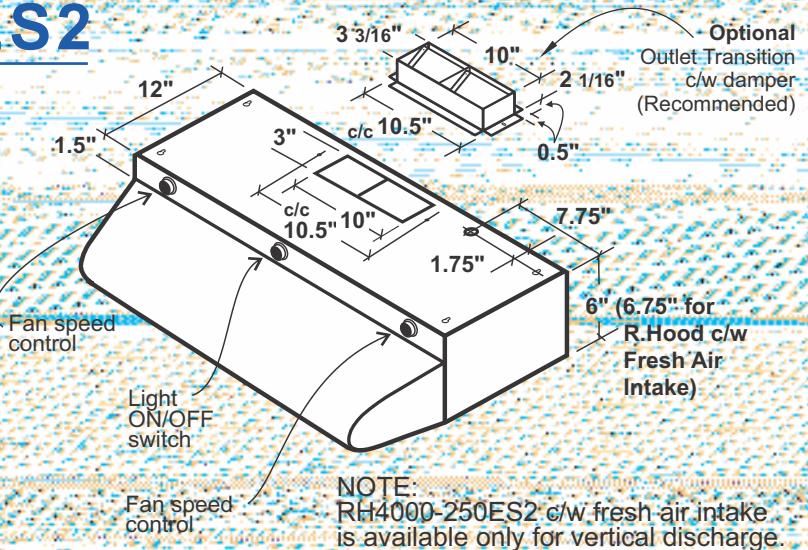
HVI certified ratings

Horizontal Discharge

High Speed: 230 CFM @ 0.10" S.P.,
3.0 Sones
Working Speed: 100 CFM, 1.5 Sones
(Operating Speed)

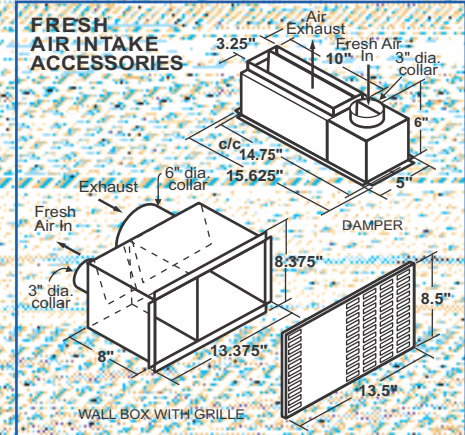
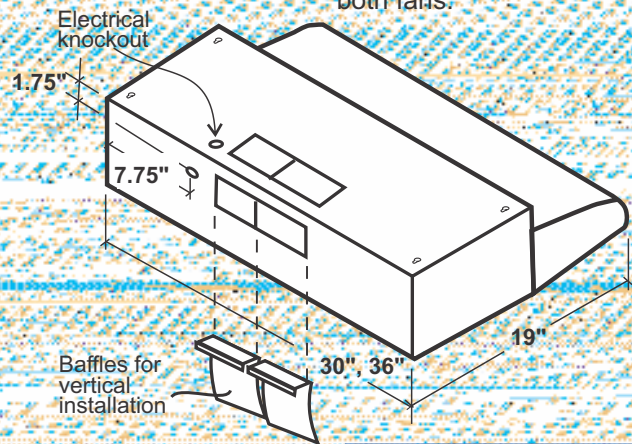
Vertical Discharge

High Speed: 210 CFM @ 0.10" S.P.,
3.5 Sones
Working Speed: 120 CFM, 2.0 Sones
(Operating Speed)



NOTE:
RH4000-250ES2 c/w fresh air intake is available only for vertical discharge.

To get maximum exhaust turn "ON" both fans.



MODEL	MOTOR 120 VAC 60 Hz			CUBIC FEET PER MINUTE										SONES at operating speed	
	RPM	AMPS	WATTS	DISCHARGE	S.P.	0.0	0.05	0.10	0.15	0.20	0.25	0.30	0.40		0.50
4000-250ES2	1100	0.33 x 2	75	Horizontal	CFM	264	248	239	225	208	191	163	139	103	1.5
				Vertical	CFM	236	223	214	200	185	170	149	108	75	2.0

RPM (Revolutions per minute) shown is nominal and performance is based on actual speed of test. Unit was tested with filter and outlet duct. Amps & Watts shown above does not include bulb Amps & Watts.



REVERSOMATIC
MANUFACTURING LIMITED

790 Rowntree Dairy Road, Woodbridge, ON, Canada L4L 5V3
Tel: 905-851-6701 • Fax: 905-851-8376 • info@reversomatic.com
www.reversomatic.com

Range Hoods

Models: Deluxe 2000-130, 2000-200

*Quiet
Efficient
Reliable*



Models:
1000-160
1000-225
1000-160CF
1000-225CF



Models:
Ultradeluxe
3000-300
3000-475



REVERSO MATIC

REVERSOMATIC RANGE HOODS

Models

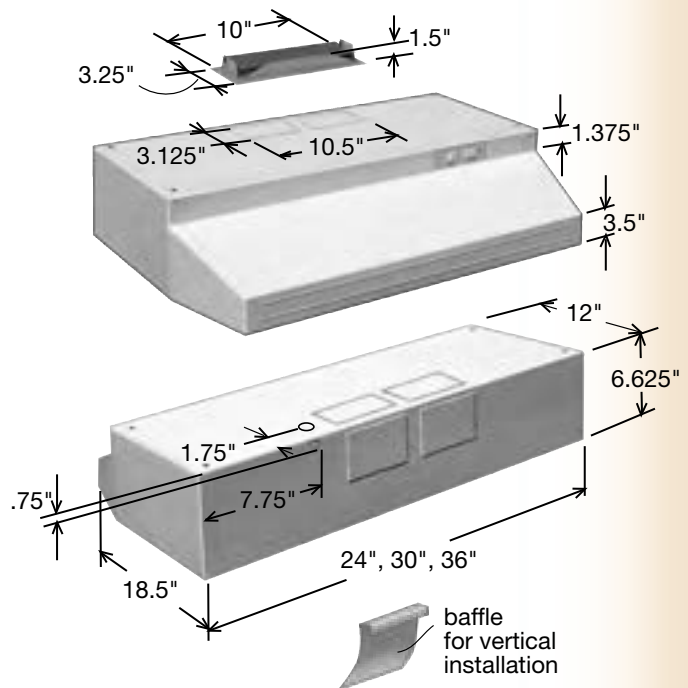
Ducted: 1000-225; 1000-160

**Nonducted: 1000-225CF,
1000-160CF**



Here's a range hood that offers real value ... yet combines outstanding design with features that are perfect for new or remodeled kitchens.

- Modern styling, dependability, excellent air movement plus choice of two ducted (3¹/₄" x 10") or non-ducted!
- Two speed motor (1000-160, 1000-160CF)
- Enclosed 75W light (lamp not included)
- Conveniently located upfront rocker switches (1000-160, 1000-160CF models)
- Rotary on/off light switch (1000-225, 1000-225CF models)
- Permanent grease filter, washable aluminum mesh
- Non-Ducted also includes activated charcoal filter to eliminate odors
- 3¹/₄" x 10" duct adapter includes damper
- Simplified wiring plus convenient keyhole mounting slots for easy installation
- Three sizes: 24", 30" & 36"
- Three beautiful enamel finishes: Almond, Black and White
- Models 1000-225 & 1000-225CF are equipped with variable speed switch and powerful motor for excellent aspiration



HVI CERTIFIED RATINGS:

1000-160: 140 CFM @ 0.10" S.P.

1000-225: 11.0 Sones, 230 CFM @ 0.10" S.P.

MODEL	MOTOR 120 VAC 60Hz		CUBIC FEET PER MINUTE							
	RPM	AMPS	S.P.	.0	.10	.20	.30	.40	.50	sones
1000-160	2400	1.3	CFM	173	146	100	61	20		8.5
1000-225	2200	2.0	CFM	263	230	200	162	112	40	11.0

RPM (Revolutions per minute) shown is nominal and performance is based on actual speed of test. Unit was tested with inlet filter & outlet damper.

REVERSOMATIC RANGE HOODS

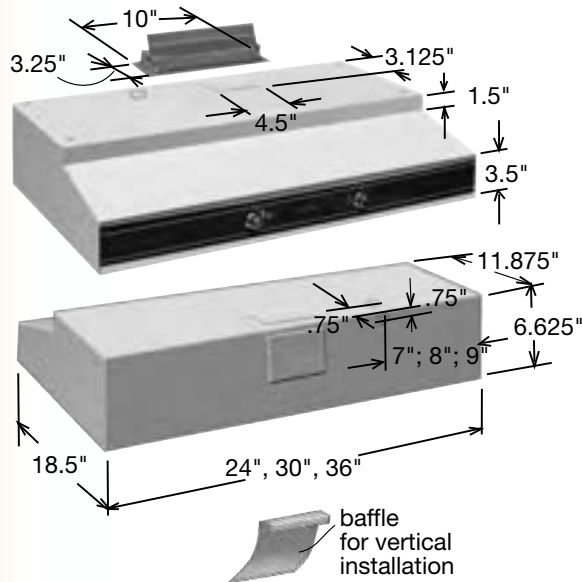


Models

Ducted:

Deluxe 2000-130, 2000-200

These Deluxe range hoods offer...



- Modern styling, dependability, excellent air movement, ducted (3¹/₄" x 10")
- Centrifugal blower wheel
- Enclosed 75W light (lamp not included)
- Rotary on/off light switch
- Equipped with variable speed switch and powerful motor for excellent aspiration
- Assembly of grease mesh filter and light lens
- 3¹/₄" x 10" duct adapter includes damper
- Keyhole mounting slots for easy & convenient installation
- Three sizes: 24", 30", 36"
- Three beautiful enamel finishes: Almond, Black and White
- Also available in stainless steel
- Exhaust air knockouts for vertical or horizontal discharge
- Knockouts for wiring on top or back

HVI CERTIFIED RATINGS:
2000-200 - 6.0 Sones, 160 CFM @ 0.10" S.P.

MODEL	MOTOR 120 VAC 60Hz		CUBIC FEET PER MINUTE								
	RPM	AMPS	S.P.	.0	.10	.20	.30	.40	.50	.60	sones
2000-130	1650	1.0	CFM	125	108	93	75	35			3.0
2000-200	1500	1.4	CFM	190	176	166	154	140	129	96	6.0

RPM (Revolutions per minute) shown is nominal and performance is based on actual speed of test.
Unit was tested with inlet filter & outlet damper.



REVERSOMATIC RANGE HOODS

Models

Ducted:

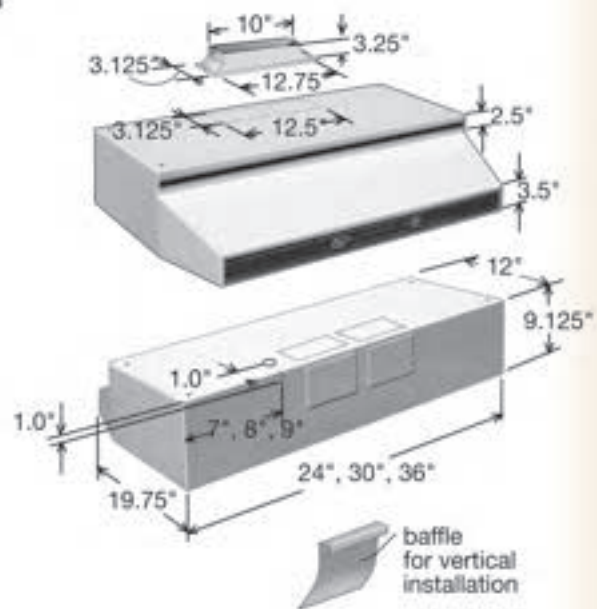
Ultradeluxe 3000-300

Ultradeluxe 3000-475



Handsome decorator models Ultradeluxe with powerful twin-blowers to efficiently clean the air.. with exceptional quietness!

- Modern styling, dependability, excellent air movement, ducted (3¹/₄" x 10")
- Twin centrifugal blowers
- Enclosed 75W light (lamp not included)
- Conveniently located rotary on/off light switch
- Wrap around aluminum filter for greater free air
- 3¹/₄" x 10" duct adapter includes damper
- Simplified wiring plus convenient keyhole mounting slots for easy installation
- Three sizes: 24", 30", 36"
- Three beautiful enamel finishes: Almond, Black and White
- Also available in stainless steel
- Equipped with variable speed switch and powerful high efficiency motor for excellent aspiration
- Exhaust air knockouts for vertical or horizontal discharge
- Knockouts for wiring on top or back



HVI CERTIFIED RATINGS:
3000-300 - 6.0 Sones, 250 CFM @ 0.10" S.P.

MODEL	MOTOR 120 VAC 60Hz		CUBIC FEET PER MINUTE							
	RPM	AMPS	S.P	.0	.10	.20	.30	.40	.50	sones
3000-300	1500	1.3	CFM	285	256	235	203	160		6.0
3000-475	1500	2.4	CFM	417	381	343	304	259	190	6.5

RPM (Revolutions per minute) shown is nominal and performance is based on actual speed of test.
Unit was tested with inlet filter & outlet damper.

790 Rowntree Dairy Road, Woodbridge, ON, Canada L4L 5V3
Tel: 905-851-6701 • Fax: 905-851-8376 • info@reversomatic.com
www.reversomatic.com

Range Hood



DELUXE 4000-200



ATTRACTIVE - LOW PROFILE , SLIM DESIGN WITH A ROUNDED FRONT AND MITRED CORNERS TO COMPLIMENT TODAY'S STYLISH AND MODERN KITCHENS. RANGE HOOD DELUXE 4000-200 CAPTURES AIR BORNE GREASE AND OIL AND TRAPS THESE UNWANTED CONTAMINATES IN THE EXTRA LARGE, WASHABLE ALUMINUM MESH. REMOVES AIR POLLUTION SUCH AS STEAM, SMOKE AND ODOURS BY USING A POWERFUL BUT QUIET MOTOR.

YOU DECIDE THE NOISE LEVEL AND THE EXHAUST CAPACITY YOU NEED FOR YOUR CHANGING COOKING REQUIREMENTS BY USING THE INFINITE SPEED CONTROL.

790 Rowntree Dairy Road, Woodbridge ON, Canada L4L 5V3
Tel: 905-851-6701 • Fax: 905-851-8376 • info@reversomatic.com

www.reversomatic.com

RANGE HOOD Deluxe 4000-200



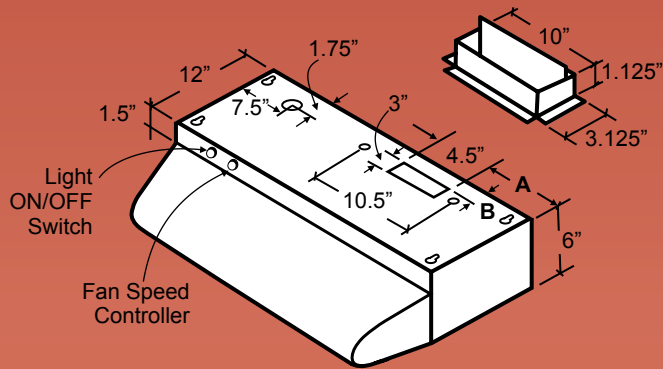
Our powerful, high performance range hood with centrifugal blower wheel is capable of exhausting smoke and odour under most duct design conditions.

It offers an unique streamlined design that will maintain its elegance in any kitchen. Solid state speed control gives you an infinite range of settings.

Permanent aluminum-mesh grease filter and light lens clamp in and out for easy cleaning.

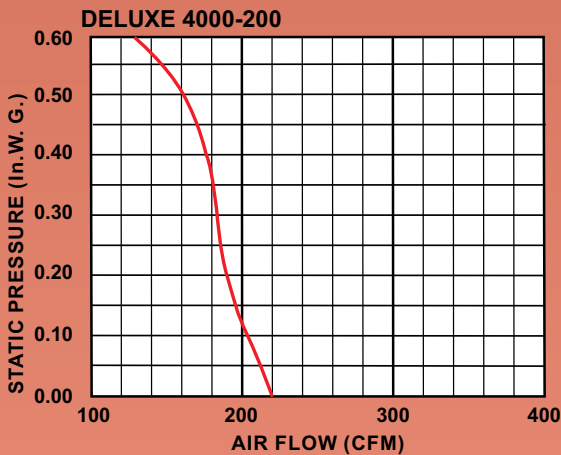
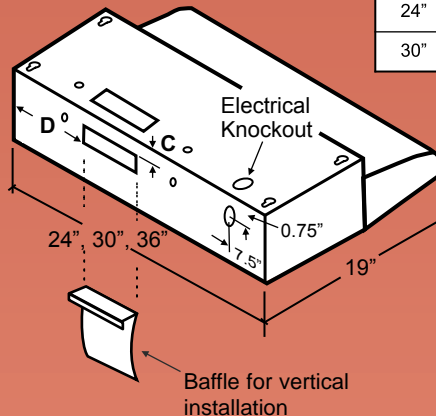
Easy installed. It has prewired junction box with plug in motor, also convenient top or back wiring entrance and keyhole mounting slots.

Available in sizes 24", 30" and 36". Finish: baked on enamel in your choice of colours.



DELUXE 4000-200

SIZE	A	B	C	D
24"	7"	3/4"	3/4"	7"
30"	9 7/8"	3/4"	1/2"	9 7/8"



Model	MOTOR		CUBIC FEETPERMINUTE								SONES
	120 VAC	60 Hz	S.P.	.0	.10	.20	.30	.40	.50	.60	
4000-200	1100	1.2	CFM	220	203	190	184	175	160	130	5.5

RPM (Revolutions Per Minute) shown in nominal and performance is based on actual speed of test. Unit was tested with filter, backdraft damper and outlet duct.

Contractor:		DELUXE 4000-200		
Architect:	Job:	Date	Supersedes	Drawing No.
Engineer:	Date Submitted:			

790 Rowntree Dairy Road, Woodbridge ON, Canada L4L 5V3
Tel: 905-851-6701 • Fax: 905-851-8376 • info@reversomatic.com

www.reversomatic.com

INTERNATIONAL



NEW

**EFFICIENT
HIGH
PERFORMANCE**

RANGE HOOD

Models 4000-400, 4000-300

Exclusive design keeps your
cooking area and the rest of
your kitchen clean



ATTRACTIVE - LOW PROFILE , SLIM DESIGN WITH A ROUNDED FRONT AND MITRED CORNERS TO COMPLIMENT TODAY'S STYLISH AND MODERN KITCHENS.

THE "INTERNATIONAL" KITCHEN RANGE HOOD CAPTURES AIR BORNE GREASE AND OIL AND TRAPS THESE UNWANTED CONTAMINATES IN THE EXTRA LARGE, WASHABLE ALUMINUM MESH.

THE "INTERNATIONAL" REMOVES AIR POLLUTION SUCH AS STEAM, SMOKE AND ODOURS BY USING A POWERFUL BUT QUIET HIGH PERFORMANCE IMPELLER.

YOU DECIDE THE NOISE LEVEL AND THE EXHAUST CAPACITY YOU NEED FOR YOUR CHANGING COOKING REQUIREMENTS BY USING THE INFINITE SPEED CONTROL.

Reversomatic Mfg. Ltd.

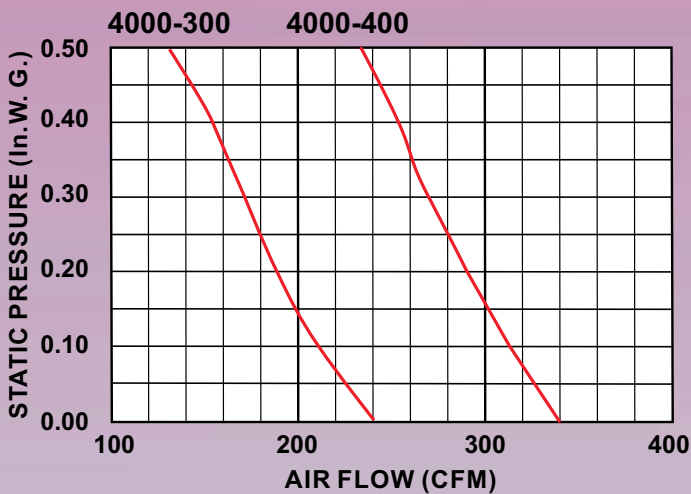
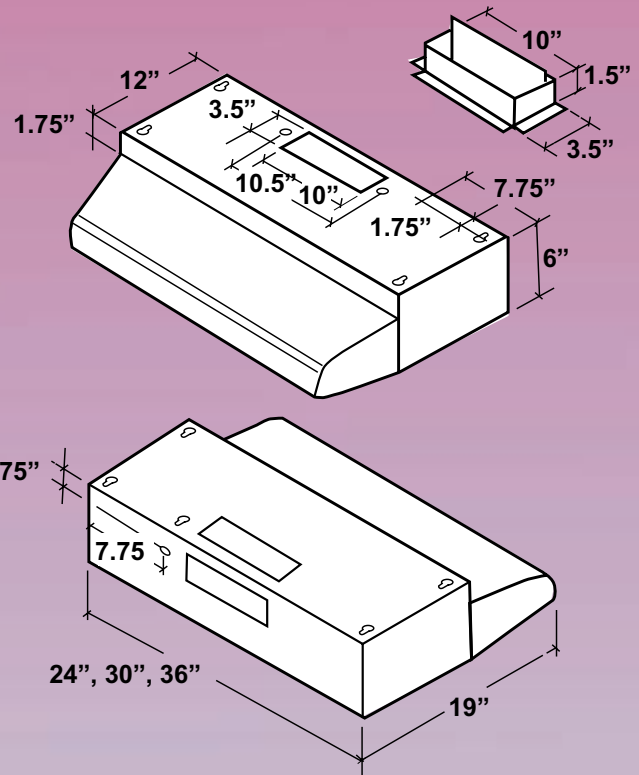
790 Rowntree Dairy Road, Woodbridge, Ontario, Canada L4L 5V3
PHONE (905)851-6701 • FAX (905)851-8376 • TORONTO LINE (416)748-3064

INTERNATIONAL

RANGE HOOD

Models 4000-400, 4000-300

- **DRAWS AIR FROM THREE DISTINCT AREAS FOR QUICK AND EFFICIENT VENTILATION**
- **MITRED CORNERS ALLOW FOR FULL OPENING OF ADJACENT CABINET DOORS**
- **EASY TO CLEAN - NO TOOLS REQUIRED TO REMOVE THE WASHABLE ALUMINUM MESH FILTER**
- **AVAILABLE IN WHITE OR ALMOND 30 INCH WIDTH 340 CFM OR 240 CFM**
- **3.25" x 10" DUCTING (HORIZONTAL OR VERTICAL)**
- **ENERGY EFFICIENT IMPELLER OVER MOTOR DESIGN**
- **INFINITE SPEED CONTROL**



Model	MOTOR 120 VAC 60 Hz		CUBIC FEET PER MINUTE							SONES
	RPM	AMPS	S.P.	0.0	0.10	0.20	0.30	0.40	0.50	
4000-300	1100	1.2	CFM	240	211	192	174	156	131	6.5
4000-400	1100	1.5	CFM	340	315	292	270	256	236	7.0

RPM (Revolutions per minute) shown in nominal and performance is based on actual speed of test. Unit was tested with inlet grille, backdraft damper and outlet duct.

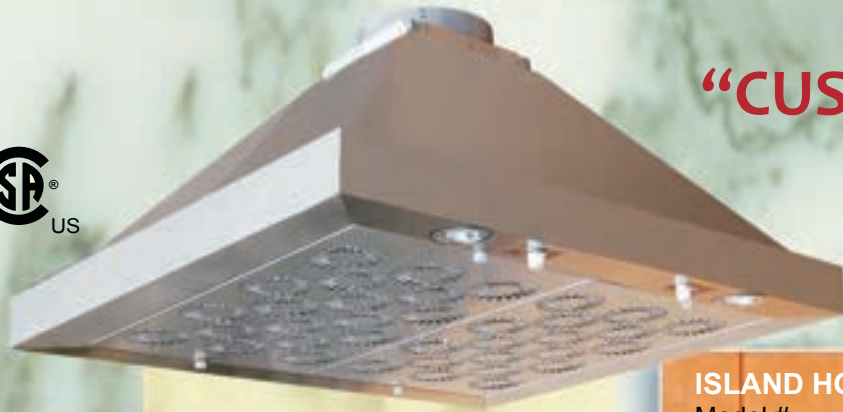


REVERSOMATIC
MANUFACTURING LIMITED



STANDARD “CUSTOM RANGE HOODS”

with internal twin blower
or roof/wall ventilator



*The unique design of
STANDARD “CUSTOM HOODS”
provides effective and
powerful ventilation for
kitchen ranges or indoor
barbeques while offering
the versatility of personal
styling to accent any
kitchen decor.*

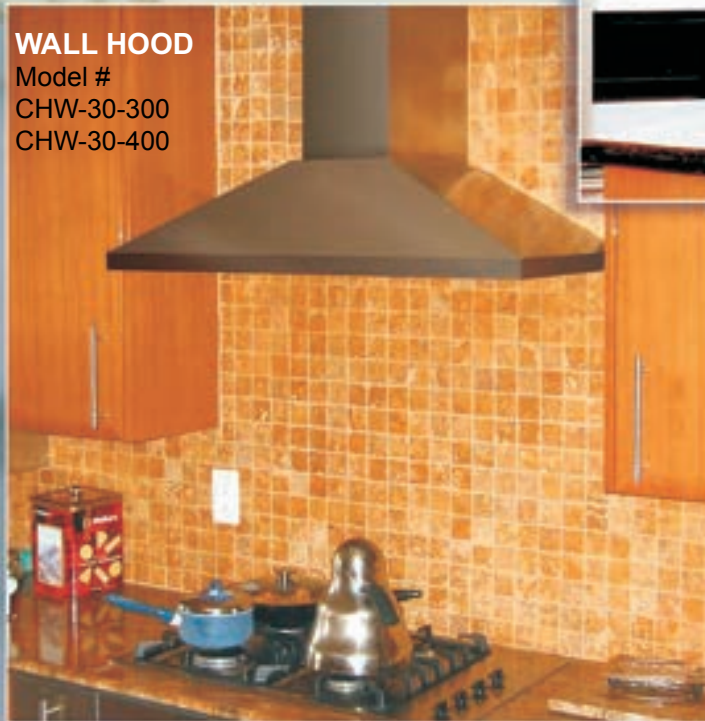
ISLAND HOOD

Model #
CHI-36-300
CHI-36-400



WALL HOOD

Model #
CHW-30-300
CHW-30-400



TWIN BLOWER UNIT



ROOF/WALL VENTILATOR

HOODS ARE AVAILABLE IN



WHITE PAINTED



STAINLESS STEEL

Reversomatic Manufacturing Ltd.

790 ROWNTREE DAIRY ROAD, WOODBRIDGE, ONTARIO, CANADA L4L 5V3 · PHONE (905) 851-6701 · FAX (905) 851-8376
www.reversomatic.com EMAIL: info@reversomatic.com

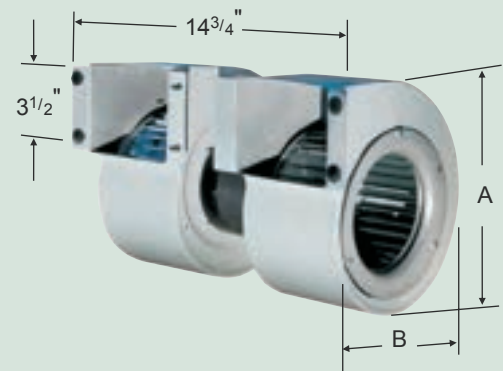
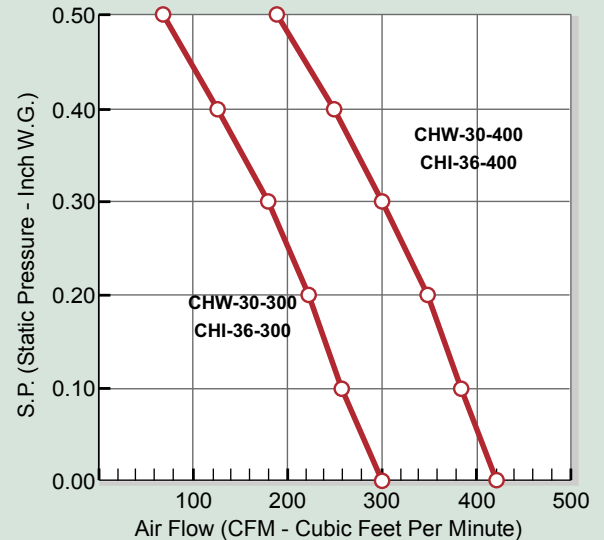
STANDARD "CUSTOM HOODS"

WITH INTERNAL TWIN BLOWER OR ROOF/WALL VENTILATOR

REVERSOMATIC is pleased to introduce the most efficient, powerful and attractive custom designed standard "Custom Hoods" to bring your culinary experience to new heights. Aside from providing optimum ventilation, Reversomatic's advanced technology works hard at whisper quiet levels to remove undesirable elements such as heat, odors, grease and smoke.

SPECIAL FEATURES:

- Simple operation, enduring quality, attractive styling, elegant finish
- Sizes: 30" (Wall hood); 36" (Island Hood)
- An option to use either the twin blower unit or a Roof/Wall ventilator with the standard "Custom Hood"
- Powerful ventilation provided by highly efficient internal twin centrifugal blowers - 300 CFM & 400 CFM
- Two 20W halogen lights (included) for multi level cook top lighting
- Washable aluminum grease filter
- Keyhole mounting slots (wall hood) for easy installation
- Equipped with variable speed switch and rotary ON/OFF light switch
- 8" round duct connector support system
- Telescopic duct fits up to 9'6" high ceilings
- Fully adjustable mounting system for existing or new installation



DIMENSIONAL DATA

BLOWERS	A	B
300 CFM	7 ³ / ₄	7 ¹ / ₂
400 CFM	8 ⁷ / ₈	8 ¹ / ₄

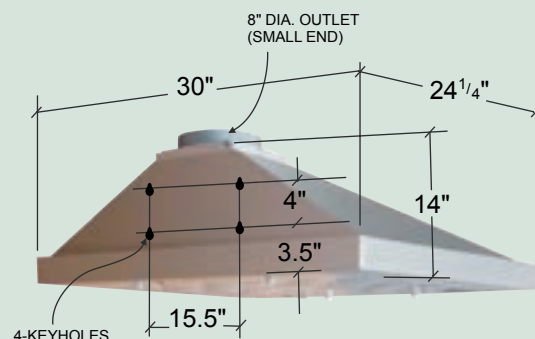
HOOD DATA WITH INTERNAL TWIN BLOWER

MODEL	MOTOR 120 VAC 60 Hz		CUBIC FEET PER MINUTE							SONES
	RPM	AMPS	S.P.	0.0	0.10	0.20	0.30	0.40	0.50	
CHW-30-300 CHI-36-300	1500	1.3	CFM	301	263	223	181	125	72	4.0
CHW-30-400 CHI-36-400	1500	2.4	CFM	420	386	349	304	255	190	5.0

NOTE: Models CHI-36 & CHW-30 come without internal blower. Use roof/wall ventilator for these models.



ISLAND HOOD

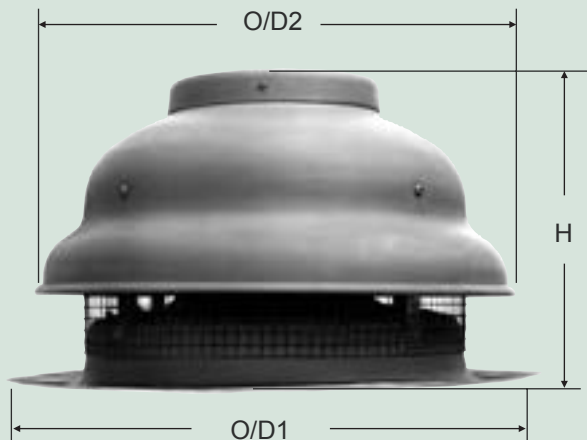


WALL HOOD

ROOF OR WALL VENTILATOR FOR STANDARD "CUSTOM HOOD"

RV-400, RV-800, RV-1200 ROOF MOUNTED FANS WRV-400, WRV-800, WRV-1200 WALL MOUNTED FANS

You have the opportunity of choosing three powerful ventilators. For smaller kitchens and canopies less than 3 ft. use RV-400. For large kitchens and canopies 3 ft.- 4 ft. use RV-800. For extra large kitchens and canopies 4 ft. or greater, use RV-1200. These powerful ventilators are equipped with backward inclined impellers that have superior suction for cooking odours, i.e. grease and smoke from heavy duty cooking. Due to a well balanced impeller motor, the noise level is less than 2.0 sones. Tests were done when each unit was installed 8 feet away from the hood.



MODEL	O/D1	O/D2	H"	Inlet Duct Dia.
RV-400, WRV-400	24"	17.5"	9.25	6"
RV-800, WRV-800	28"	21.3"	13.25	8"
RV-1200, WRV-1200	30"	25"	15	8"



IMPELLER / MOTOR UNIT
FOR FANS RV/WRV-400, 800, 1200



SPECIAL FEATURES:

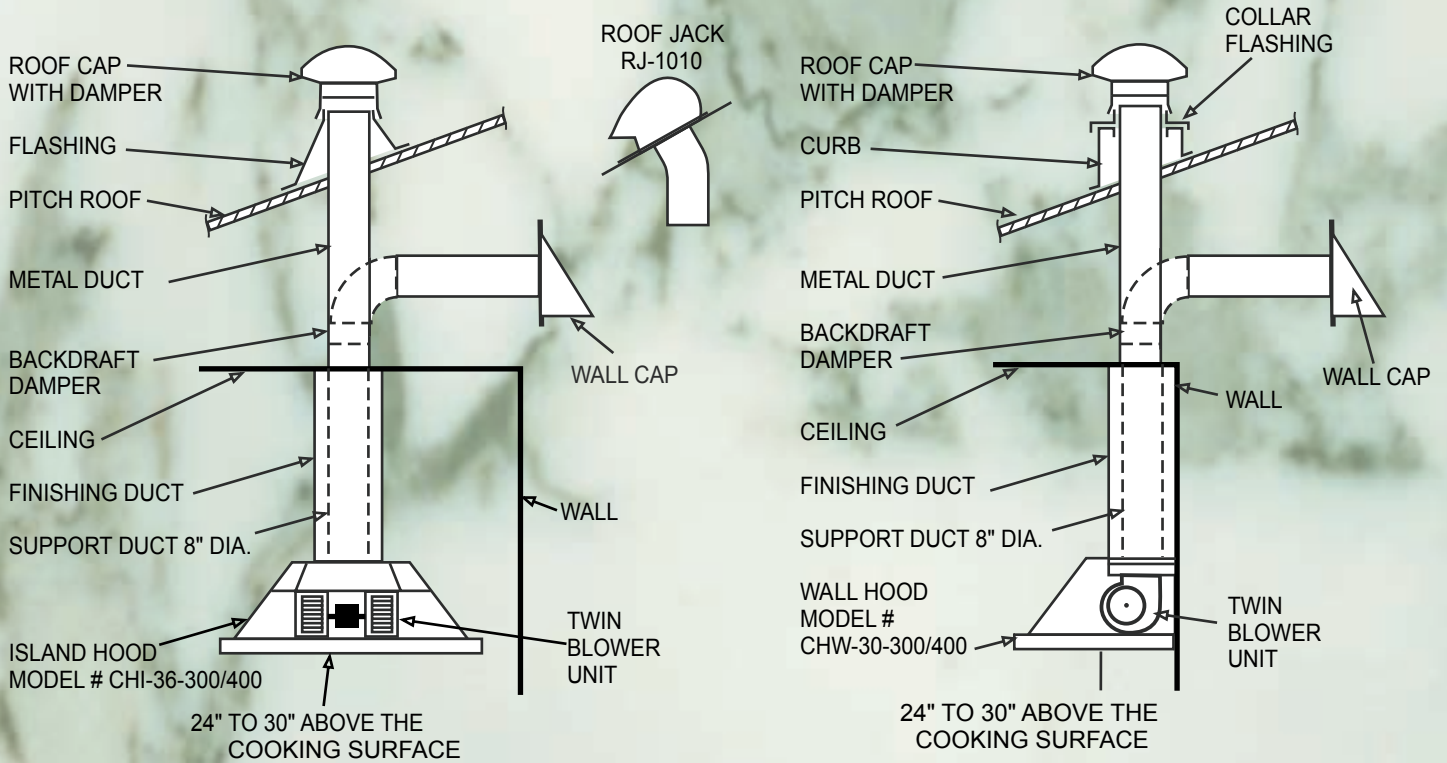
- SELF CLEANING IMPELLER
- COMPACT
- QUIET
- HIGH STATIC PRESSURE
- SEALED BALL BEARINGS
- GALVANIZED STEEL /ALUMINUM/ PLASTIC IMPELLER
- CAPACITOR (PSC MOTOR) FOR HIGH EFFICIENCY

FAN DATA

MODEL	MOTOR 120 VAC 60Hz		CAPACITY (CUBIC FEET PER MINUTE)							
	RPM	AMP	S.P.	0.0	0.10	0.20	0.25	0.30	0.40	0.50
RV-400, WRV-400	1675	0.90	CFM	416	386	346	327	308	266	204
RV-800, WRV-800	1540	1.10		760	702	627	605	545	487	430
RV-1200, WRV-1200	1570	1.50		1050	1012	964	937	910	843	773

TYPICAL INSTALLATION WITH TWIN BLOWER UNIT

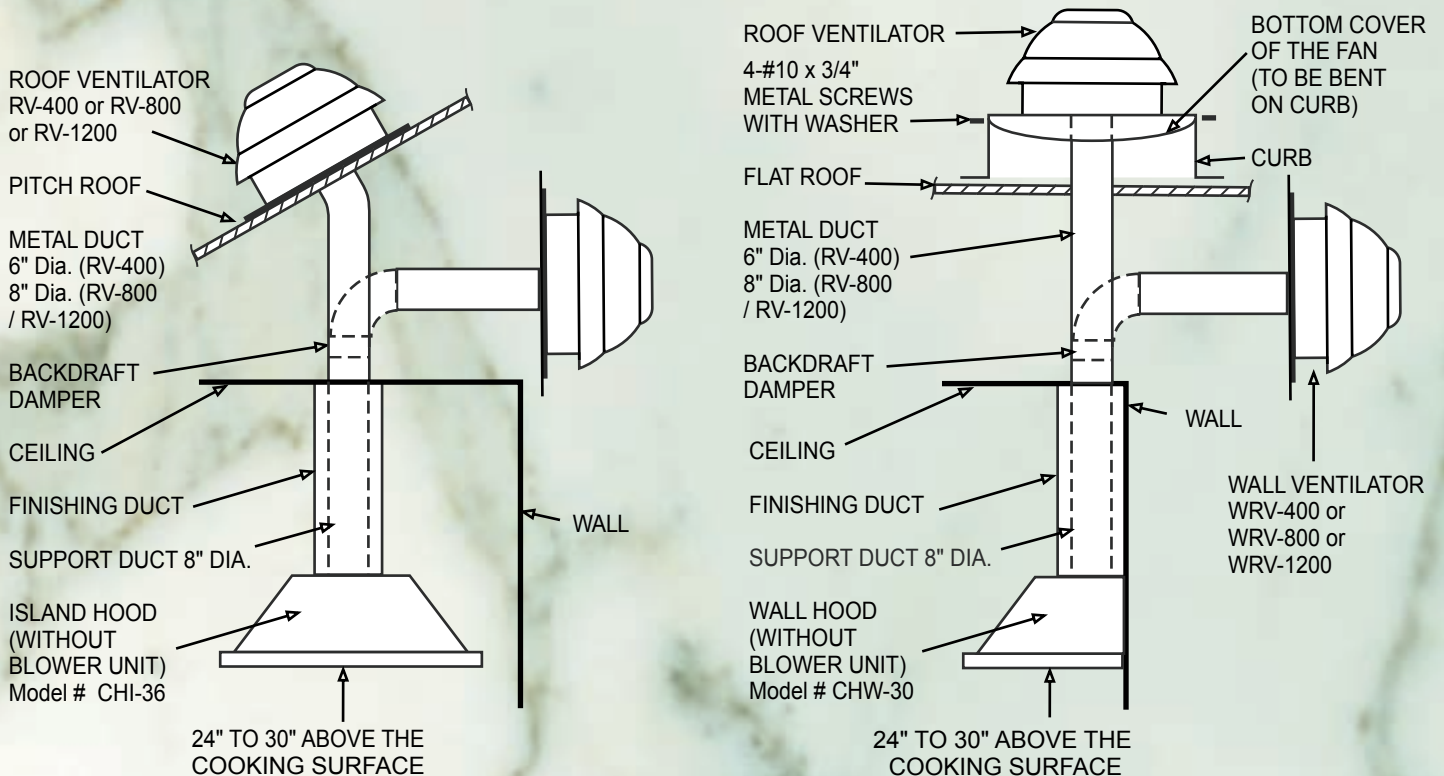
MODELS #CHI-36-300/400, CHW-30-300/400 WITH TWIN BLOWER UNIT



NOTE: USE ROOF JACK OR ROOF CAP OR WALL CAP TO EXHAUST AIR OUTSIDE AS SHOWN ABOVE.

TYPICAL INSTALLATION WITH ROOF OR WALL VENTILATOR

MODELS #CHI-36, CHW-30 NO BLOWER (USE AS A CONTROL UNIT FOR ROOF/WALL VENTILATOR)



REVERSOMATIC
MANUFACTURING LIMITED

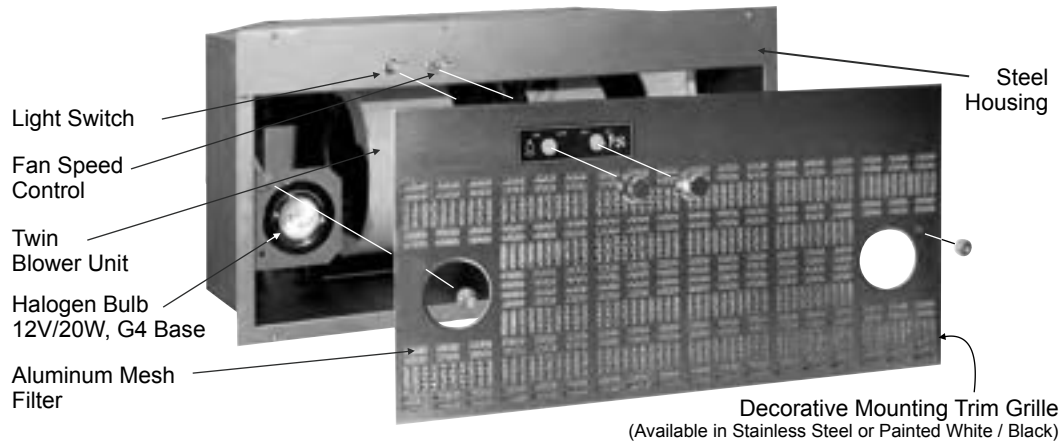
790 Rowntree Dairy Road, Woodbridge, Ontario, Canada L4L 5V3
Tel: 905-851-6701 • Fax: 905-851-8376 • info@reversomatic.com

www.reversomatic.com

PU-300 / 400 / 600 / 700

POWER UNIT FOR CUSTOM RANGE HOOD OR UNDER CABINET MOUNTING

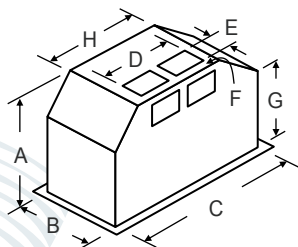
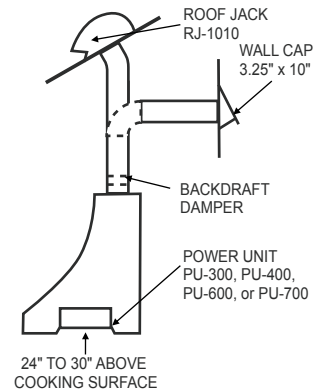
These powerful units are easily installed in custom hoods & can also be used in cabinets above the range. You have the option of choosing from FOUR available twin blower unit sizes: 300 CFM, 400 CFM, 600 CFM and 700 CFM.



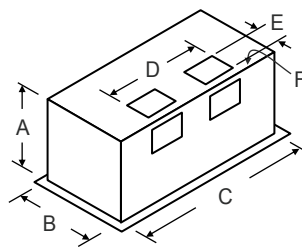
FEATURES:

- Interchangeable decorative mounting trim grille provides different finish options
- Variable speed with excellent aspiration
- Two 20W halogen lights for multi level cooktop lighting
- Easily accessible washable aluminum mesh filter
- One year limited parts and labor warranty

TYPICAL INSTALLATION:



PU-300/400
(with tapered corners)



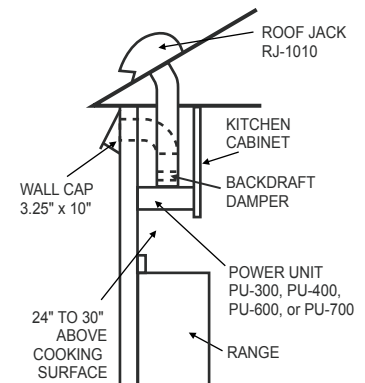
PU-600/700

DIMENSIONS:

MODEL	A"	B"	C"	D"	E"	F"	G"	H"
PU-300/400	10	10 1/2	22 1/2	12 3/4	3 1/8	3/4	6 3/8	15
PU-600/700	13	13 3/4	24 3/4	15	4 1/4	3/4	-	-

PERFORMANCE CHART

UNIT MODEL	MOTOR 120V AC 60Hz		CUBIC FEET PER MINUTE						
	RPM	AMPS	S.P.	0.0	0.10	0.20	0.30	0.40	0.50
PU-300	1500	1.30	CFM	301	263	221	182	101	72
PU-400	1500	2.40		420	386	349	304	259	190
PU-600	1050	2.40		605	535	455	374	322	214
PU-700	1050	2.40		710	653	584	505	416	243



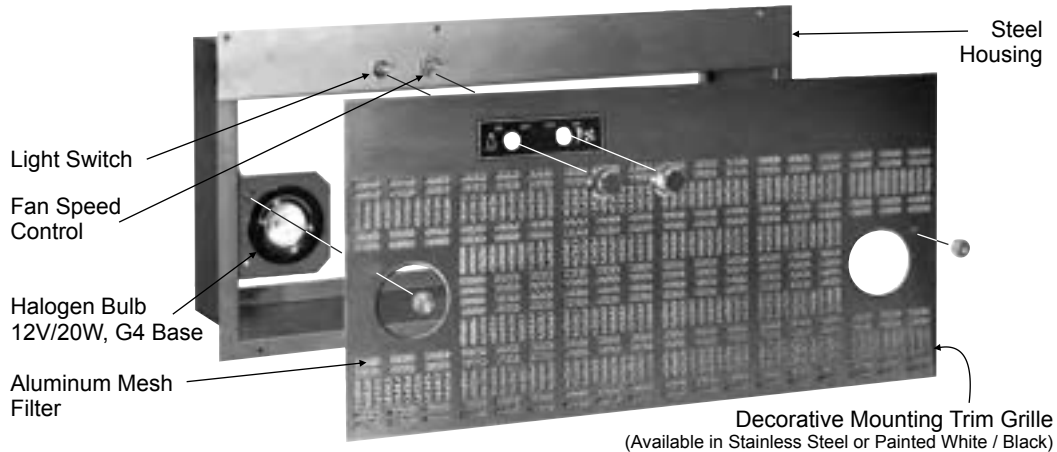
Reversomatic Manufacturing Ltd.

790 Rowntree Dairy Road, Woodbridge, ON Canada L4L 5V3 • Tel: 905-851-6701 • Fax: 905-851-8376
www.reversomatic.com • info@reversomatic.com

CU-500 / 700

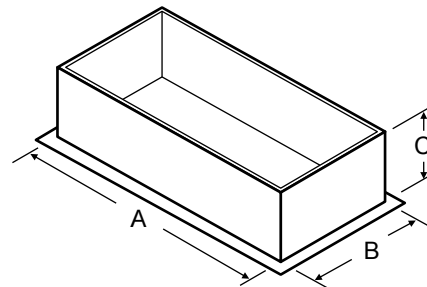
CONTROL UNIT FOR CUSTOM RANGE HOOD

These control units are installed in custom hoods when exterior roof or wall fans are used. They feature Solid State Speed Control plus Light Control for two 12V/20W, G4 base halogen lights mounted on the housing.



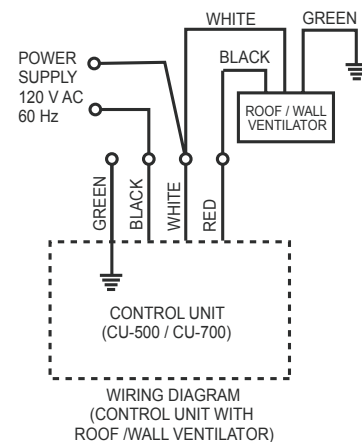
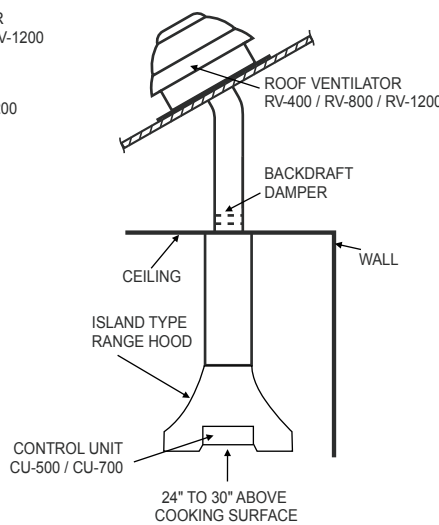
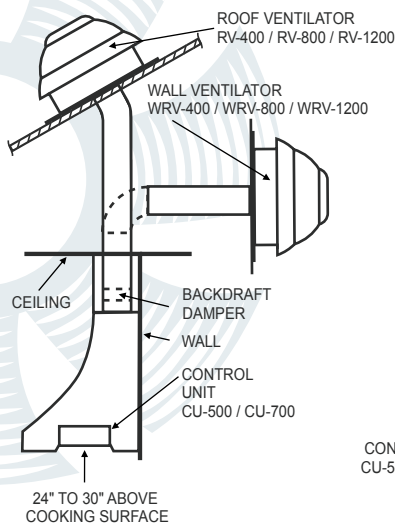
FEATURES:

- Interchangeable decorative mounting trim grille provides different finish options
- Two 20W halogen lights for multi level cooktop lighting
- Easily accessible washable aluminum mesh filter
- Full metal construction fire retardant
- One year limited parts and labor warranty



Model	A"	B"	C"
CU-500	22 1/2	10 1/4	5
CU-700	30	14	5

TYPICAL INSTALLATION:



Reversomatic Manufacturing Ltd.

790 Rowntree Dairy Road, Woodbridge, ON Canada L4L 5V3 • Tel: 905-851-6701 • Fax: 905-851-8376
www.reversomatic.com • info@reversomatic.com



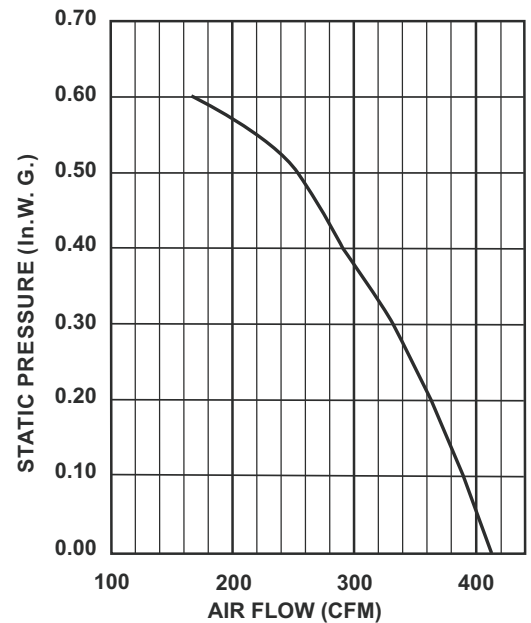
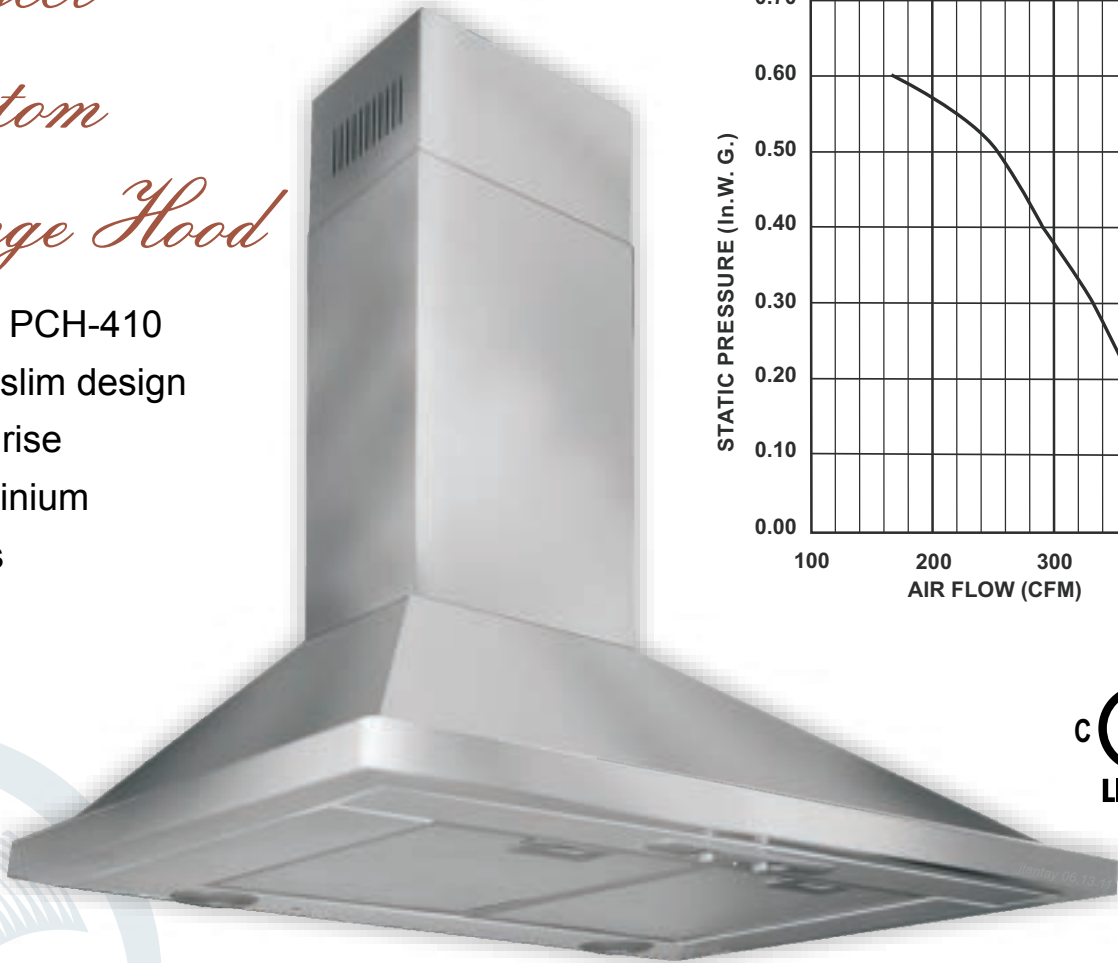
REVERSOMATIC
MANUFACTURING LIMITED

Project Custom Range Hood PCH-410

Project Custom Range Hood

MODEL PCH-410

Special slim design
for high rise
condominium
kitchens

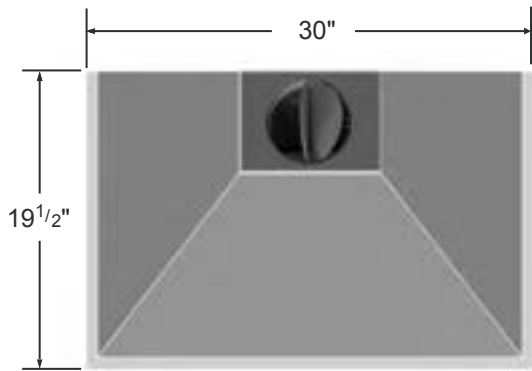


- Modern styling, high performance, excellent air movement
- 30" wide hood
- Powerful double centrifugal blower wheel to exhaust smoke and odors under most duct design condition
- 3 speed fan, 410 cfm, 3.3 sones
- Two 40 watts light bulbs (not included)
- Fully convertible, suitable for vertical discharge or ductless installation
- Easily removable aluminum grease filters
- Available in stainless steel or white
- UL, CUL listed

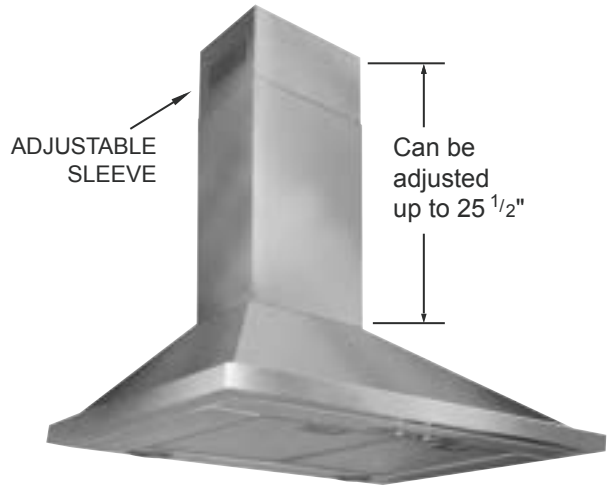
Reversomatic Manufacturing Ltd.

790 Rowntree Dairy Road, Woodbridge, ON Canada L4L 5V3 • Tel: 905-851-6701 • Fax: 905-851-8376
Toll Free: 1.800.810.3473 (Canada) • 1.866.890.6457 (U.S.A.) • email: info@reversomatic.com
www.reversomatic.com

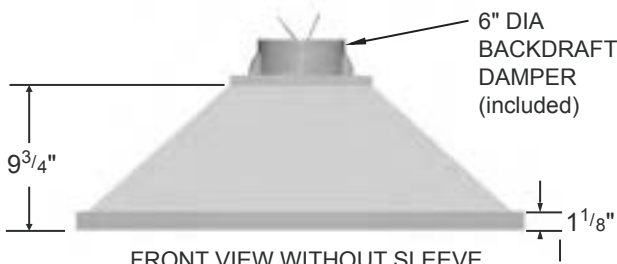
Project Custom Range Hood PCH-410



TOP VIEW



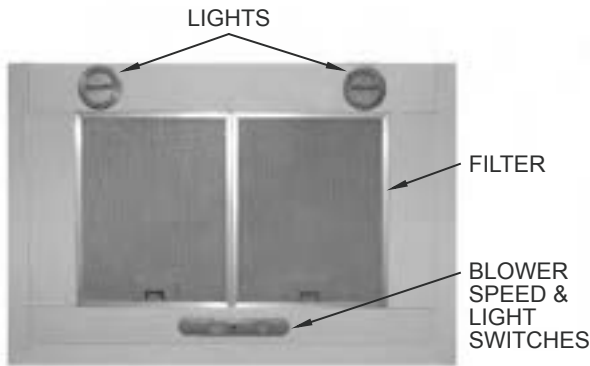
COMPLETE UNIT WITH SLEEVE



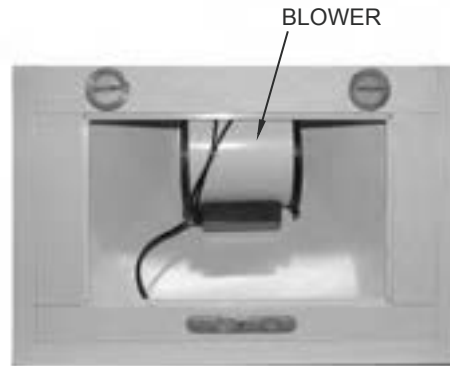
FRONT VIEW WITHOUT SLEEVE



SIDE VIEW WITHOUT SLEEVE



BOTTOM VIEW WITH FILTER



BOTTOM VIEW WITHOUT FILTER

FAN DATA

MODEL	MOTOR 120 VAC 60Hz			CAPACITY (CUBIC FEET PER MINUTE)								
	RPM	AMP	WATTS	S.P.	0.0	0.10	0.20	0.30	0.40	0.50	0.60	sones
PCH-410	1520	2.4	200	CFM	410	394	362	326	291	247	163	3.3

Watts included 2 x 40w bulbs. RPM (Revolutions per minute) shown is nominal and performance is based on actual speed of test. Unit was tested with filter, backdraft damper and outlet duct.

Contractor:		PCH-410		
Architect:	Job:	Date	Supersedes	Drawing No.
Engineer:	Date Submitted:			

Reversomatic Manufacturing Ltd.

790 Rowntree Dairy Road, Woodbridge, ON Canada L4L 5V3 • Tel: 905-851-6701 • Fax: 905-851-8376
 Toll Free: 1.800.810.3473 (Canada) • 1.866.890.6457 (U.S.A.) • email: info@reversomatic.com
 www.reversomatic.com



COMMERCIAL FANS



Reversomatic Manufacturing Ltd.

790 Rowntree Dairy Road, Woodbridge, ON Canada L4L 5V3 • Tel: 905-851-6701 • Fax: 905-851-8376
www.reversomatic.com • info@reversomatic.com



CF-225, CF-375, CF-425



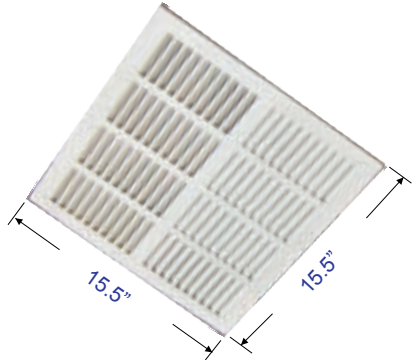
Standard:

- White Aluminum Louvered Grille
- Continuous Duty Life Time Lubricated Motor With Thermal Protection
- Galvanized Metal Forward Curved Blower Wheel
- Aluminum Damper
- Universal Mounting Brackets
- Insulated Cabinet

Optional:

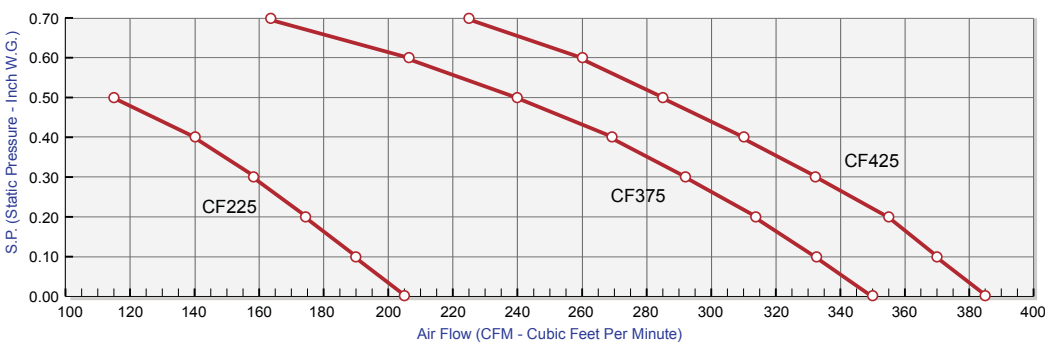
- Intake Transition for Inline
- Exhaust Transition
- Speed Controller
- Balancing Baffle
- Built-in Fire Radiation Damper
- Balancing Box

MODEL	A	B	SUGGESTED EXHAUST PIPE
CF225	3.5"	11.5"	5" dia.
CF375	4"	13"	6" dia.
CF425	5"	13"	7" dia.



AIR INTAKE SNAP IN GRILLE

CF-225, CF-375, CF-425 FAN DATA



NOTE: These fans can be converted to in-line installation simply by replacing grille with cover plate and installing inlet transition.

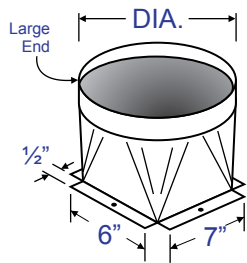
PERFORMANCE CHART

MODEL	RPM	AMPS	S.P.	0.00	0.10	0.20	0.30	0.40	0.50	0.60	0.70	SONES
CF225	1500	1.4	CFM	205	190	174	158	140	115	-	-	4.5
CF375	1550	2.7		350	333	314	292	269	240	206	163	4.9
CF425	1550	2.7		385	370	355	332	310	285	260	225	5.1

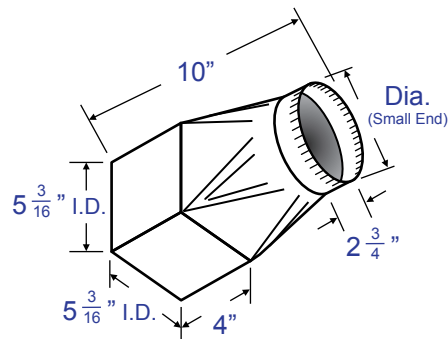
ACCESSORIES

CF-225, CF-375, CF-425

INTAKE TRANSITION (For Inline)

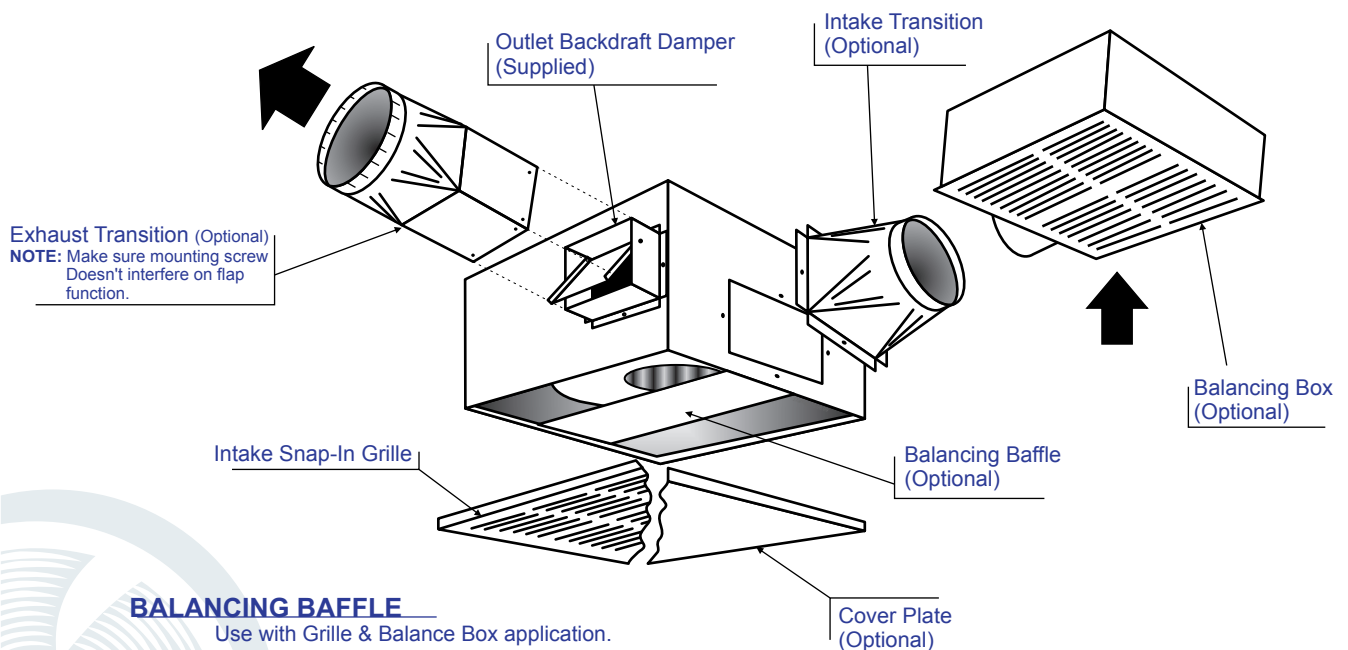


Model	Dia
IT - 4	4"
IT - 5	5"
IT - 6	6"
IT - 7	7"



EXHAUST TRANSITION

Model	Dia.	Fan Model
ET5	5"	CF-225
ET6	6"	CF-375
ET7	7"	CF-425



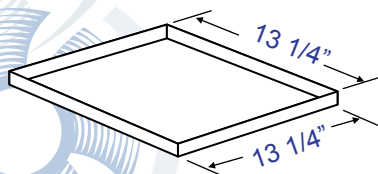
BALANCING BAFFLE

Use with Grille & Balance Box application.



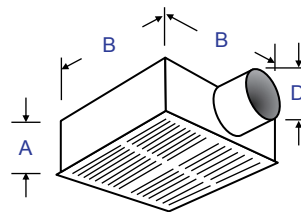
COVER PLATE

For Enclosed / Inline fan installation.



BALANCING BOX

Powder White Finish



Model	D	A	B	CFM
LBB-4	4"	7"	10"	100
LBB-5	5"	7"	10"	165
LBB-6	6"	7"	10"	235
LBB-7	7"	7"	10"	300

Contractor:		CF-225, CF-375, CF-425		
Architect:	Job:	Date	Supersedes	Drawing No.
Engineer:	Date Submitted:			

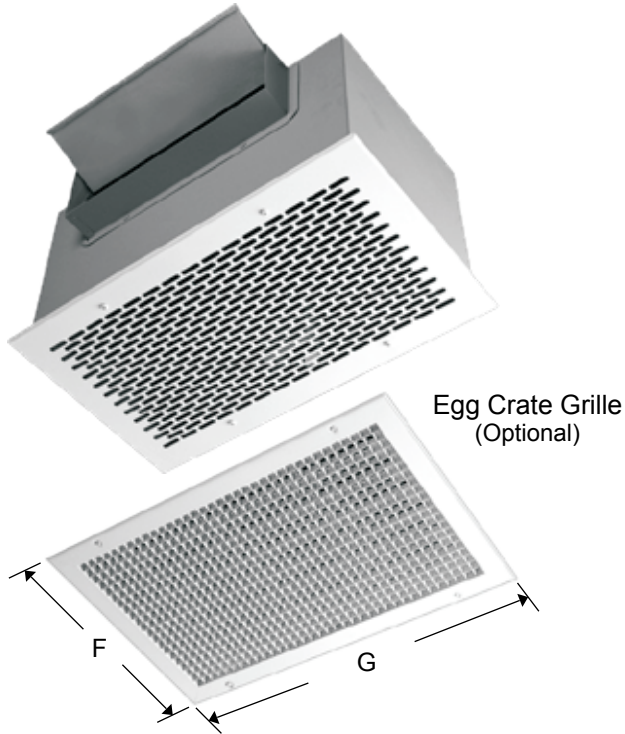
Reversomatic Manufacturing Ltd.

790 Rowntree Dairy Road, Woodbridge, ON Canada L4L 5V3 • Tel: 905-851-6701 • Fax: 905-851-8376
www.reversomatic.com • info@reversomatic.com



TWIN BLOWER FANS "TB" SERIES

CEILING OR IN-LINE



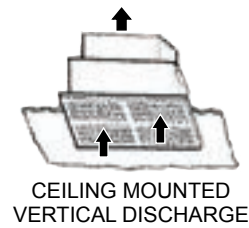
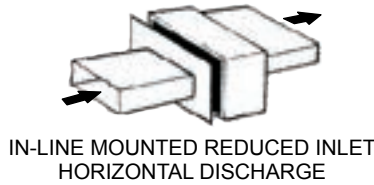
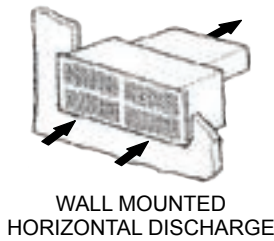
STANDARD:

- White Perforated Steel Grille
- Continuous Duty Life Time Lubricated Motor with Thermal Protection
- Plug Type Disconnect
- Galvanized Metal Forward Curved Blower Wheels
- Universal Mounting Brackets
- Insulated Cabinet
- Neoprene Vibration Isolator
- Aluminum Backdraft Damper

OPTIONAL:

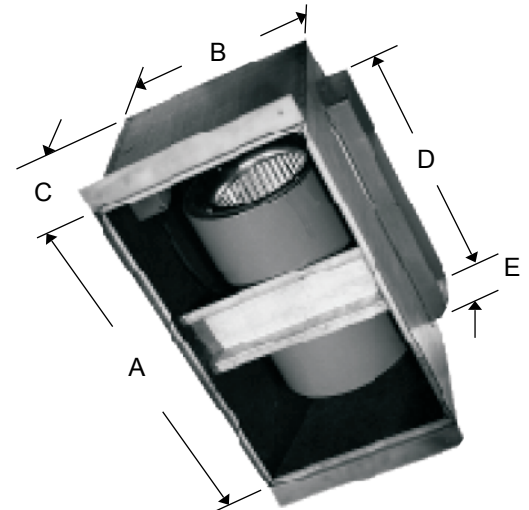
- White Aluminum Egg Crate Grille
- Speed Controller
- Inline Adapter Kit
- Built In Fire Radiation Damper

TYPICAL IN-LINE INSTALLATION



FAN DIMENSIONS

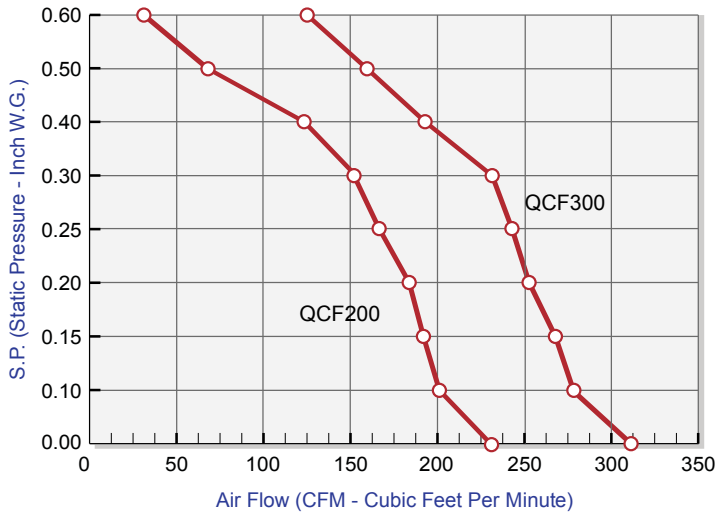
MODEL	A	B	C	D	E	F	G
QCF200	18	10	10	12	4	11	19
QCF300	18	10	10	12	4	11	19
QCF400	19	12	12	12	4	13	20
QCF500	24	14	14	18	5	15.5	25.5
QCF600	24	14	14	18	5	15.5	25.5
QCF800	24	14	14	18	5	15.5	25.5
QCF1000	32	14	14	24	6.5	15	33
QCF1300	38	14	14	28.5	6.5	15	39
QCF1600	38	14	14	28.5	6.5	15	39



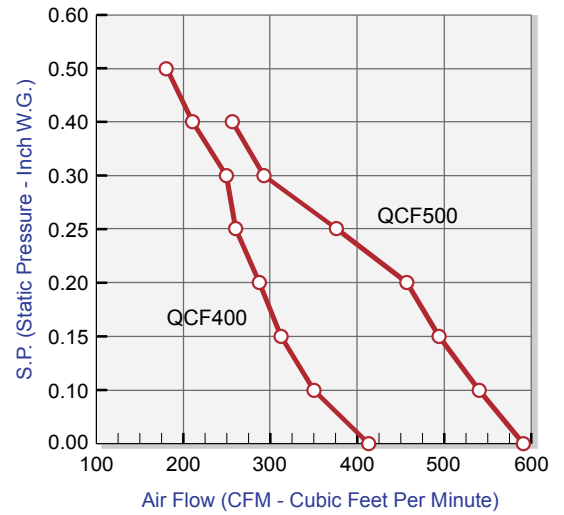
Reversomatic Manufacturing Ltd.

790 Rowntree Dairy Road, Woodbridge, ON Canada L4L 5V3 • Tel: 905-851-6701 • Fax: 905-851-8376
www.reversomatic.com • info@reversomatic.com

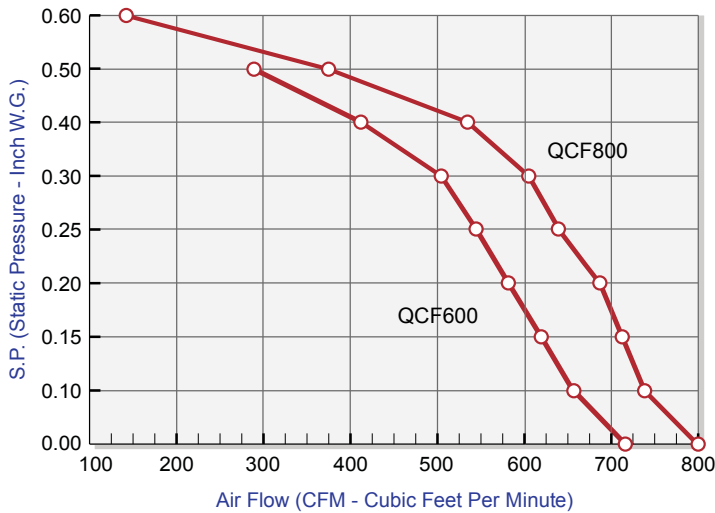
QCF200, QCF300 FAN DATA



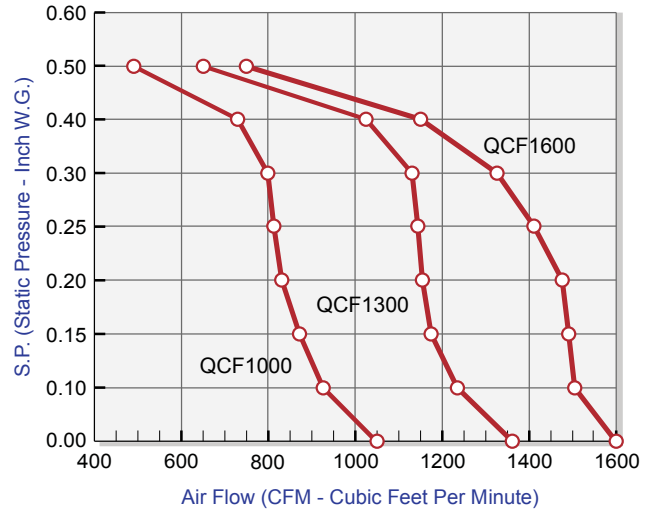
QCF400, QCF500 FAN DATA



QCF600, QCF800 FAN DATA



QCF1000, QCF1300, QCF1600 FAN DATA



ULTRA SONE "TB" SERIES PERFORMANCE CHART

MODEL	RPM	AMPS	S.P.	0.00	0.10	0.15	0.20	0.25	0.30	0.40	0.50	0.60	SONES
QCF200	1350	0.76	CFM	230	204	192	181	166	152	122	67	15	3.0
QCF300	1200	1.25		310	281	266	252	241	230	191	158	125	4.0
QCF400	1080	1.60		411	350	315	280	265	250	215	180	-	4.0
QCF500	1050	4.20		594	535	495	455	375	292	280	-	-	4.0
QCF600	1050	4.20		715	653	620	584	544	505	416	291	-	5.5
QCF800	1050	5.20		803	736	711	684	644	604	529	374	135	6.0
QCF1000	825	3.50		1056	926	877	828	815	802	729	490	-	6.0
QCF1300	825	3.50		1360	1228	1187	1146	1143	1140	1011	650	-	6.5
QCF1600	825	3.50		1627	1509	1494	1480	1408	1336	1150	750	-	7.0

Contractor:		QCF - _____		
Architect:	Job:	Date	Supersedes	Drawing No.
Engineer:	Date Submitted:			

Reversomatic Manufacturing Ltd.

790 Rowntree Dairy Road, Woodbridge, ON Canada L4L 5V3 • Tel: 905-851-6701 • Fax: 905-851-8376
 www.reversomatic.com • info@reversomatic.com

DIRECT DRIVE, WALL EXHAUST FAN

8" through 24", capacities
from 200 to 4300 C.F.M.

APPLICATION

These direct drive fans are specially designed for the rapid removal of smoke, steam, heat and fumes and for general ventilation of most commercial and industrial buildings. The fans are most practical for use at static pressures below .25" W.G.

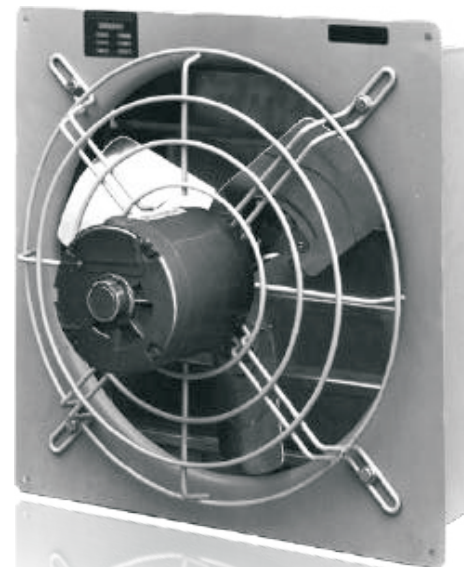
FEATURES

- The blades are die stamped and die formed to assure balance
- Guard as shown is standard
- Totally enclosed, one, two or variable speed motor
- Non overloading characteristics
- Attractive enamel finish
- Vertical or horizontal installation
- Self acting, extruded aluminum blade Shutters
- Frames are built with steel panel, incorporating mounting flanges and Venturi orifice

OPTIONAL ACCESSORIES

- Adjustable louvers for manual or motorized operation
- Fan guards constructed of expanded metal for either the intake or the discharge
- Special coatings for fans installed in contaminated atmospheres
- Variable speed motors
- Consult the factory or your representative for information on special applications

OSHA approved guards are available

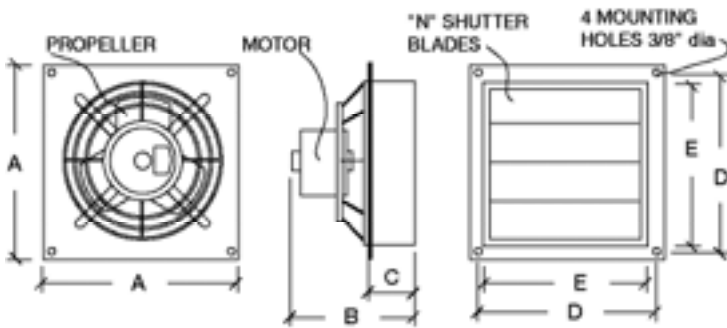


Reversomatic Manufacturing Ltd.

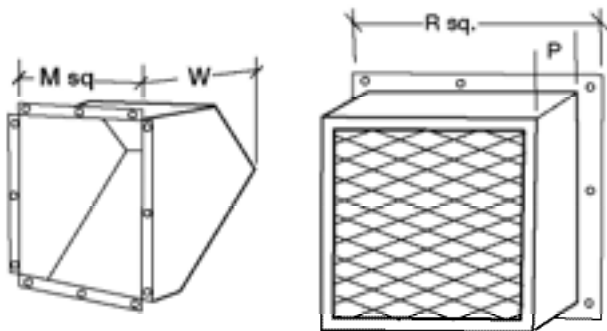
790 Rowntree Dairy Road, Woodbridge, ON Canada L4L 5V3 • Tel: 905-851-6701 • Fax: 905-851-8376
www.reversomatic.com • info@reversomatic.com

A SERIES

MODEL NUMBER	FAN SIZE	MOTOR			AIRFLOW CAPACIT C.F.M.				FRAMING DIMENSION	SHIPPING WEIGHT Lbs.	SONES @ 125"
		AMPS	HP	RPM	0" S.P.	1/10" S.P.	1/8" S.P.	1/4" S.P.			
A-8-2	8"	1.1	1/30	1550 1330	410 345	295 245	265 220	180 150	11" x 11"	14	2.9 2.1
A 10-2	10"	1.1	1/30	1550 1300	890 745	775 650	740 620	510 430	13" x 13"	17	3.0 2.1
A 12	12"	5.4	1/4	1725	1580	1470	1430	1230	15" x 15"	38	3.9
A 12-2		4.9	1/4 1/20	1725 1140	1580 1040	1470 830	1430 720	1230 560		42	3.9 2.4
A 14	14"	5.4	1/4	1725	2150	2050	2030	1860	17" x 17"	41	9.4
A 14-2		4.9	1/4 1/20	1725 1140	2150 1425	2050 1250	2030 1200	1860 810		45	9.4 8.0
A 16	16"	5.4	1/4	1725	2500	2420	2400	2250	19" x 19"	43	10.6
A 16-2		4.9	1/4 1/20	1725 1140	2500 1670	2420 1530	2400 1470	2250 1000		47	10.6 7.2
A 18	18"	5.4	1/3	1725	3600	3500	3450	3300	21" x 21"	47	12.8
A 18-2		5.1	1/3 1/5	1725 1140	3600 2380	3500 2200	3450 2150	3300 1850		55	12.8 7.4
A 20	20"	5.4	1/3	1725	4100	4020	4000	3850	23" x 23"	51	12.0
A 20-2		5.4	1/3	1140	1700	2650	2640	2540		51	8.6
A 24	24"	3.9	1/3	1075	4300	4030	3920	3550	27" x 27"	75	9.4
A 24-V		3.9	1/3	VARIABLE	VARIABLE	VARIABLE	VARIABLE	VARIABLE		75	



FAN SIZE	FAN DIMENSIONS					
	A	B	C	D	E	N
8"	13-1/4"	10"	4-3/4"	12"	10-3/4"	2
10"	15-1/4"	10"	4-3/4"	14"	12-3/4"	3
12"	17-1/4"	14"	4-3/4"	16"	14-3/4"	3
14"	19-1/4"	15"	4-3/4"	18"	16-3/4"	4
16"	21-1/4"	14"	4-3/4"	20"	18-3/4"	4
18"	23-1/4"	15"	4-3/4"	22"	20-3/4"	5
20"	25-1/4"	16"	4-3/4"	24"	22-3/4"	5
24"	29-1/4"	16"	4-3/4"	28"	26-3/4"	7



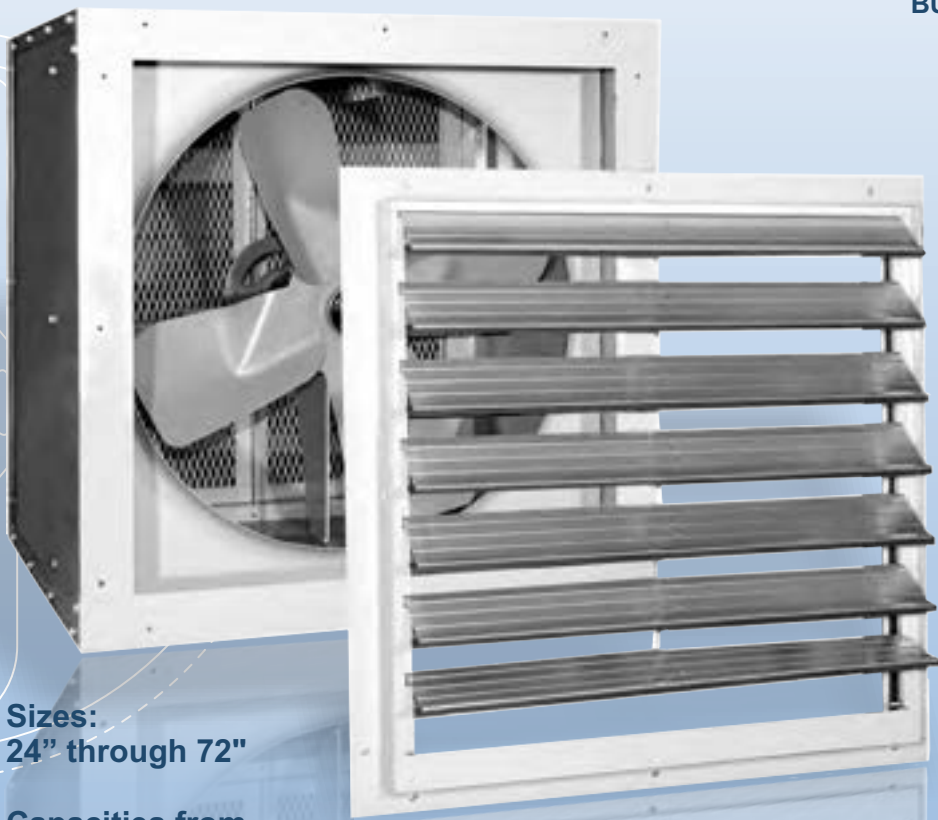
FAN SIZE	ACCESSORIES DIMENSIONS			
	M	W	P	R
8"	11"	7.25"	6.5"	11"
10"	13"	9.25"	6.5"	13"
12"	15"	11"	9.5"	15"
14"	17"	12"	10.5"	17"
16"	19"	13"	10.5"	19"
18"	21"	15"	10.5"	21"
20"	23"	16.5"	11.5"	23"
24"	27"	19"	11.5"	27"

CONTRACTOR		A SERIES FAN DETAIL		
ARCHITECT	JOB	DATE	SUPERSEDES	DRAWING NO.
ENGINEER	DATE SUBMITTED	REVERSOMATIC Manufacturing Ltd Toronto, Ontario		

Propeller Fan "BE" Series

ENCLOSED BELT DRIVEN WALL EXHAUST FAN

THESE LOW PRESSURE BELT DRIVEN FANS ARE IDEALLY SUITED FOR VENTILATION OF UNDERGROUND GARAGES OF APARTMENT BUILDINGS, WAREHOUSES, PUBLIC BUILDINGS, GREENHOUSES ETC.



Sizes:
24" through 72"

Capacities from
1,000 to 60,000 CFM



Reversomatic Manufacturing Limited certifies that Models BEA-24 to BEA-60 inclusive shown on pages 2 and 3 are licensed to bear the AMCA Seal. The ratings are based on tests and procedures performed in accordance with AMCA publication 211 and AMCA publication 311 and comply with the requirements of the AMCA Certified Ratings Program.



FRONT VIEW



BACK VIEW

Product has been evaluated by UL as per UL 705 for United State and CSA Standard C22.2 No.113-M1984 for Canada.



REVERSOMATIC
MANUFACTURING LIMITED

790 Rowntree Dairy Road, Woodbridge ON, Canada L4L 5V3
Tel: 905-851-6701 • Fax: 905-851-8376
Toll Free: 1.866.890.6457 • 1.800.810.3473
info@reversomatic.com

www.reversomatic.com

ENCLOSED BELT DRIVEN WALL EXHAUST FAN

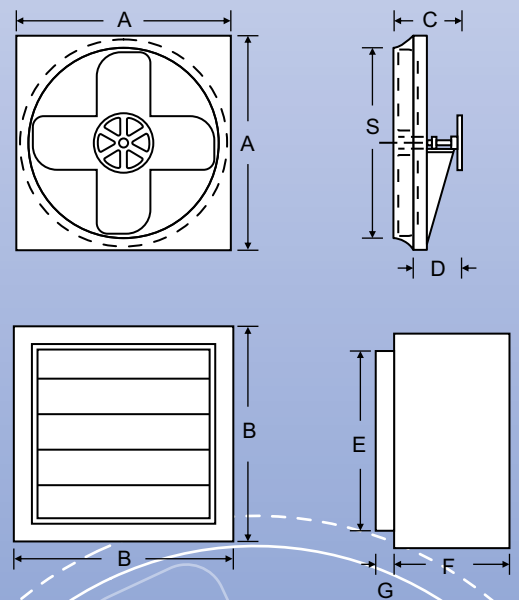
FEATURES:

- The frame features a venturi orifice
- sturdy welded construction appropriate for industrial, Commercial and Agricultural applications
- Fan panels are heavy gauge steel with die formed edges
- All welded structural steel provides durable support for fan motors, bearings, shafts and drives. This support structure features an unique design which properly spaces the blade from the structure, eliminating vibration and reducing excess noise
- Shafts rotate in permanently lubricated heavy duty ball bearing pillow blocks. Bearings are selected for a minimum average life of 200,000 hours at maximum catalogue operating speeds
- The propeller blades are made of heavy gauge steel and are statically balanced
- Belt drive engineered to 50% overload
- Motor mounting plates are adjustable to obtain proper belt tension
- Motors are heavy duty ball bearing type carefully matched to the load
- Cabinet constructed of heavy duty 18 Ga enamel finish satin coat or galvanized steel
- Shutter blades are made of heavy gauge extruded aluminum, then stripped with neoprene gasket to ensure an airtight seal
- Rear guard made of finger proof expanded metal. Also includes a centre access door for easy serviceability

DIMENSIONS:

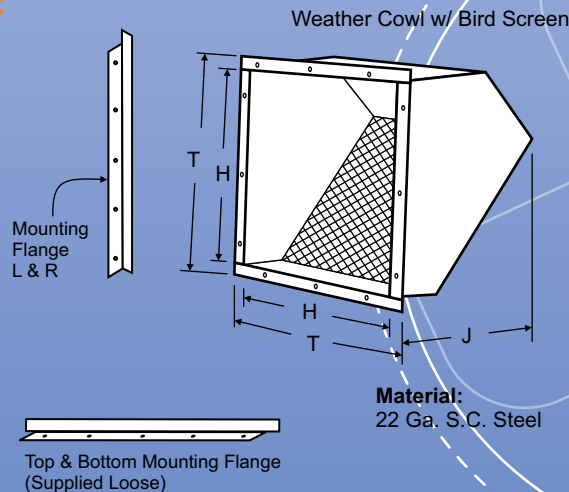
MODEL	A"	B"	C"	D"	E"	F"	G"	S"
BE24	30	30 5/8	13 1/2	11 1/2	26 3/4	27	3	25
BE30	36	36 5/8	14	12 1/2	32 3/4	27	3	31
BE36	42	42 5/8	16	13	38 3/4	27	3	37
BE42	49 1/4	49 5/8	16 1/2	14	45 3/4	30	3	43
BE48	55	55 5/8	19	16	51 3/4	30	3	49
BE54	60	60 1/2	21	18	56 3/4	32	3	55
BE60	68	68 1/2	22	19	64 3/4	33	3	61
BE66	74	74 1/8	23	20	70 3/4	40	3	67
BE72	79	79 5/8	24	21	75 3/4	40	3	73

* Consult factory representative for information on special applications and larger sizes. Order by Catalogue Number and state voltage required.



OPTIONAL ACCESSORIES:

- Two speed motor
- Special anti-corrosive coatings
- Pulleys
- Static free belts
- Wall mounting flanges
- Wall cabinet
- Weather cowl with bird screen
- Gravity Shutter
- Back guard



Weather Cowl Dimension

MODEL	T"	H"	J"
BE24	30	27	18
BE30	36	33	21
BE36	42	39	24
BE42	49	46	27 5/8
BE48	55	52	30 5/8
BE54	60	57	33
BE60	68	65	36 5/8
BE66	74	71	40
BE72	79	76	43

BEA SERIES

PERFORMANCE DATA

"A" TYPE PROPELLER



MODEL Motor HP Max.	Max. Input Power Watts	Blade Type	FAN RPM	0"	1/8"	1/4"	3/8"	1/2"	5/8"	3/4"	1"	Sones @ 1/8" S.P.
				CUBIC FEET PER MINUTE								

BEA-24

0.33 HP	474	SD	625	3702	2740	1985	1113					8.6
0.5 HP	740	SD	725	4294	3720	2650	2110	1325				10.4
0.75 HP	905	SD	775	4590	4060	3050	2500	1800	1100			11.5
1 HP	1678	SD	950	5626	5200	4590	3780	3300	2760	2200		16.7
1.5 HP	2586	SD	1100	6515	6150	5770	5100	4350	3800	3585		21.7
2 HP	3357	HD	1200	7107	6775	6450	5985	5200	4595	4260	3500	25.4

BEA-30

0.5 HP	553	SD	500	6173	4930	3005	1403					9.1
0.75 HP	956	SD	600	7407	6500	5050	3420					14.6
1 HP	1519	SD	700	8642	7950	6923	5080	4100	2680	1762		20.6
2 HP	2268	SD	800	9877	9270	8560	7510	6253	5312	4215		21.6
3 HP	3225	SD	900	11111	10596	10000	9215	7965	6725	5961		22.7
3 HP	3225	HD	900								4051	22.7
3 HP	4106	HD	975	12037	11593	11065	10412	9575	8091	7215	5518	23.6

BEA-36

1 HP	700	SD	450	9513	8322	5651	2762	1325				9.8
1.5 HP	1460	SD	575	12156	11210	9790	7451	4863				15.0
2.0 HP	1875	SD	625	13213	12360	11512	8803	6600	4215	3061		17.4
3.0 HP	3240	HD	750	15856	15183	14415	13525	11250	9183	7418		23.1
5.0 HP	4312	HD	825	17441	16781	16132	15405	14003	11968	10265	6711	27.2

BEA-42

1.0 HP	825	SD	375	12467	9810	6218						13.4
1.5 HP	1042	SD	425	14129	12113	8865	5723					17.5
2 HP	1426	SD	450	14960	13005	10052	7120	4795				20.1
2 HP	1843	SD	490	16290	14689							25.4
3 HP	2375	SD	490			12080	8213	6585	4620	2431		25.4
5 HP	3815	HD	575	19116	17790	16001	13510	11215	8342	7100		36.5
7.5 HP	5539	XHD	650	21609	20431	19103	17269	14608	12117	10205	7461	47.0

*SD - Standard Duty, HD - Heavy Duty, XHD - Extra Heavy Duty

- All selections are based on CARBON STEEL construction. Test data is accumulated based on AMCA 210-85, figure 12, 2% tip clearance and ANSI S12.12 - 1992 panel tests, inlet only.

- Performance certified is for installation type A - Free inlet, Free outlet. Speed (RPM) shown is normal. Performance is based on actual speed of test.

- Performance ratings do not include the effects of appurtenances (accessories). The sound ratings shown are loudness values in fan sones at a distance of 1.5 m (5 ft) in a hemispherical free field calculated per AMCA International Standard 301. Values shown are for: Installation Type A: free outlet hemispherical sone levels.

NOTE:

For selections at other CFM and Static Pressure conditions, contact factory sales representative.

BEA SERIES

PERFORMANCE DATA

“A” TYPE PROPELLER



MODEL Motor HP Max.	Max. Input Power Watts	Blade Type	FAN RPM	0"	1/8"	1/4"	3/8"	1/2"	5/8"	3/4"	1"	Sones @ 1/8" S.P.
				CUBIC FEET PER MINUTE								

BEA-48

2 HP	1181	SD	350	18741	16419	11600	6038	3229				16.4
3 HP	1765	SD	400	21419	19465	16605	10338	6781				22.0
3 HP	2518	HD	450	24096	22453	20398						29.3
5 HP	2908	HD	450				16481	10115	7750	4980		29.3
5 HP	3444	XHD	500	26773	25243	23708	21198	16993	11851	9342		36.8
7.5 HP	6066	XHD	575	30789	29507	28200	26619	24145	20012	15351	11085	47.7

BEA-54

2 HP	1283	SD	300	21185	17891	10779	6009					15.4
3 HP	2042	SD	350	24716	22310	20495	10845	7385				20.8
5 HP	3044	SD	400	28247	26120	22650	17800	12182	9254	6446		27.3
5 HP	3250	SD	445	31778	29850							34.2
7.5 HP	4190	SD	445			27468	21750	14500	11710	9600		34.2
7.5 HP	5950	HD	500	35309	33550	31800	28400	26500	20360	15748		42.7
10 HP	7911	XHD	550	38840	37350	35840	33681	32387	26325	20642	15924	51.5

BEA-60

5 HP	2982	SD	350	32529	29200	25635	20250	15885	10780			25.9
7.5 HP	3672	SD	375	34853	32100	28350	21504	19797	14897	10625		29.8
7.5 HP	4043	HD	425	39500	35650							38.9
10 HP	5350	HD	425			32700	25500	16050	12625	10750		38.9
10 HP	4800	HD	450	41824	38250	35500						43.3
10 HP	6354	XHD	450				32305	28653	24196	19828	14645	43.3

BEA-66

5 HP	2630	SD	275	42872	37941	29902	16526					22.7
5 HP	3420	SD	300	46770	42128	36635	21810	14914				27.7
7.5 HP	4341	SD	325	50667	46260	41735	29958	20683	14299			33.3
7.5 HP	5428	HD	350	54565	50439	46491	40938	26385	20221	14557		38.5
10 HP	6667	HD	375	58462	54674	51148	46551	34505	25533	20124		44.9
15 HP	8118	XHD	400	62360	58871	55523	51491	46314	32372	25746	16039	52.5
15 HP	11530	XHD	450	70155	67241	63838	60926	57163	52428	39300	27188	65.7

*SD - Standard Duty, HD - Heavy Duty, XHD - Extra Heavy Duty

- All selections are based on CARBON STEEL construction. Test data is accumulated based on AMCA 210-85, figure 12, 2% tip clearance and ANSI S12.12 - 1992 panel tests, inlet only.

- Performance certified is for installation type A - Free inlet, Free outlet. Speed (RPM) shown is normal. Performance is based on actual speed of test.

- Performance ratings do not include the effects of appurtenances (accessories). The sound ratings shown are loudness values in fan sones at a distance of 1.5 m (5 ft) in a hemispherical free field calculated per AMCA International Standard 301. Values shown are for: Installation Type A: free outlet hemispherical sone levels.

NOTE:

For selections at other CFM and Static Pressure conditions, contact factory sales representative.

BES SERIES

PERFORMANCE DATA

“S” TYPE PROPELLER



MODEL Motor HP Max.	Blade Type	FAN RPM	0"	1/8"	1/4"	3/8"	1/2"	5/8"	3/4"	1"	Sones @ 1/8" S.P.
			CUBIC FEET PER MINUTE								

BES-24

1/4 HP	SD	700	4153	3273	1768						10.0
1/3 HP	SD	750	4449	3673	2161	1331					11.5
1/2 HP	SD	800	4746	4062	2720	1722	1092				12.3
1/2 HP	SD	900	5339	4774	3820	2480	1790				15.2
3/4 HP	SD	950	5636	5114	4303	2990	2202	1596	1137		17.4
1 HP	SD	1100	6526	6100	5502	4655	3497	2748	2173		20.5
1.5	HD	1250	7415	7041	6596	5972	5175	4131	3333		25.3

BES-30

0.5 HP	SD	550	6314	4844	2775	1627					9.9
0.75 HP	SD	600	6888	5580	3744	2350	1389				11.4
1 HP	SD	650	7462	6301	4543	3064	2100	1262			13.1
1.5 HP	HD	750	8610	7692	6432	4869	3530	2686	1909		18.4
1.5 HP	HD	900	10332	9569	8636						23.6
2 HP	XHD	900				7585	6137	4809	4055	2685	23.6
3 HP	XHD	950	10906	10181	9346	8350	6969	5956	4770	3416	27.1

BES-36

3/4 HP	SD	500	9638	7864	4354	2606	1348				12.2
1.5 HP	SD	600	11566	10131	8173	4974	3622	2366	1402		16.3
1.5 HP	SD	700	13494	12306	10954						22.1
2 HP	HD	700				8895	5936	4707	3490		22.1
2 HP	HD	800	15421	14407	13245	11852					27.0
3 HP	XHD	800					9994	7177	6075	3811	27.0
3 HP	XHD	850	16385	15431	14359	13218	11601	9758	7062	5160	29.8

BES-42

1 HP	SD	400	11776	9156	4687	2642	1367				10.4
1.5 HP	SD	500	14721	12777	9956	6138	4110				16.4
3 HP	HD	600	17665	16008	14415	11593	8107	6107	4698		21.6
5 HP	XHD	700	20609	19189	17841	16169	13745	10341	8401	5620	29.5
5 HP	XHD	800	23553	22310	21068	19993	18312	16185	13686	9374	36.5

BES-48

1.5 HP	SD	350	15934	11879	5637	2912	1130				10.8
3 HP	HD	450	20487	17728	13877	8217	5638	3687	2271		18.1
3 HP	HD	550	25039	22814	20241	16920					25.9
5 HP	XHD	550					12075	8700	6840	3907	25.9
5 HP	XHD	650	29592	27721	25777	23335	20526	17742	12437	8742	37.3
7.5	XHD	700	31868	30131	28343	26393	23759	21172			53.5

BES SERIES

PERFORMANCE DATA

"S" TYPE PROPELLER



MODEL Motor HP Max.	Blade Type	FAN RPM	0"	1/8"	1/4"	3/8"	1/2"	5/8"	3/4"	1"	Sones @ 1/8" S.P.
			CUBIC FEET PER MINUTE								

BES-54

3.0 HP	SD	400	26354	22884	17426	11623	8791	6430	4271		18.3
5 HP	SD	450	29648	26640	22372	16097	12565	10047	7864	4026	23.0
5 HP	SD	500	32943	30294	27116	22593	16790	13821			27.7
7.5	HD	550	36237	33877	31147	27301	22651	17931	15306		32.8
7.5	XHD	600	39531	37368	34973	32052	28395	23249	19409		42.6

BES-60

3 HP	SD	300	28843	23229	13775	8692	5180	2912			15.8
5 HP	SD	350	33650	29203	21543	14610	10474	7084	4787		21.9
5 HP	SD	400	38457	34723	29520	21116	16322	12754			28.4
7.5 HP	HD	450	43264	40103	36189	30697	22803	18617	15367		36.6
7.5 HP	HD	475	45668	42681	39046	34189	26099	21864			40.6
10 HP	XHD	500	48071	45234	41862	37515	31706	25076	21322	15419	45.0

BES-66

5 HP	SD	275	35191	28523	17053	10886	6540	3755			16.6
5 HP	SD	325	41589	36351	28046	18866	13764	9606			22.9
7.5 HP	HD	375	47987	43656	37781	27528	21737	17215	13330	7567	30.8
10 HP	HD	400	51186	47234	42347	34848	25975	21009	17168	10554	35.2
10 HP	HD	425	54385	50714	46214	40159	30397	25291	21037		40.3
10 HP	XHD	450	57585	54117	49976	44554	36873	29525	25005	17926	45.3

BES-72

3 HP	SD	225	34726	25457	11962	6208	1441				13.2
5 HP	SD	250	38584	30722	18884	10159	5570	1139			16.3
5 HP	SD	275	42442	35675	25742	14523	9609	5536	1593		20.0
7.5 HP	SD	300	46301	40456	31870	19942	13431	9556			23.8
7.5 HP	SD	325	50159	44974	37503	28961	18425				27.8
10 HP	HD	350	54018	49409	42725	34668	24548	17618	13823	7333	33.0
10 HP	HD	375	57876	53749	47738	40798	33381	23131			37.5
10 HP	XHD	400	61734	57865	52592	46361	38974	32695			42.8

*SD - Standard Duty, HD - Heavy Duty, XHD - Extra Heavy Duty

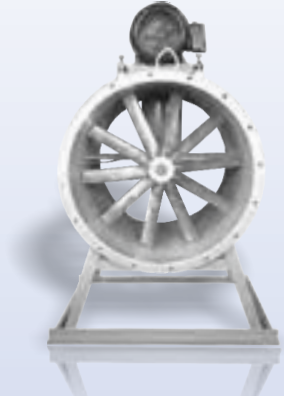
- All selections are based on CARBON STEEL construction. Test data is accumulated based on AMCA 210-85, figure 12, 2% tip clearance and ANSI S12.12 - 1992 panel tests, inlet only.

NOTE:

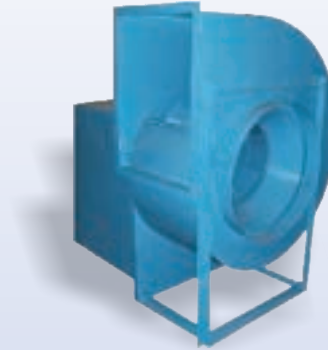
For selections at other CFM and Static Pressure conditions, contact factory sales representative.

Other Products

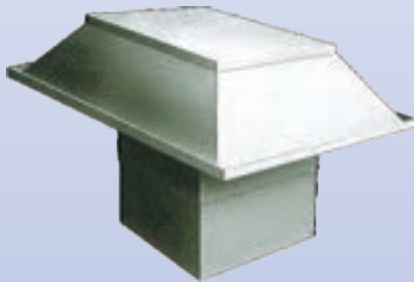
RBD / RDD SERIES
Tube Axial Fan



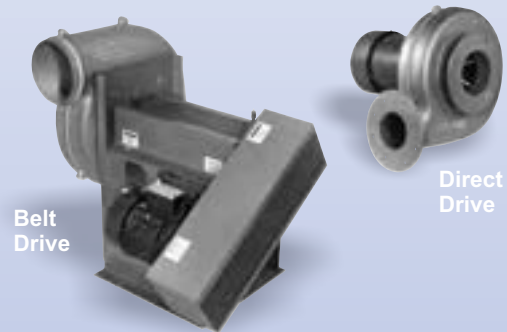
BI SERIES
Centrifugal Fan



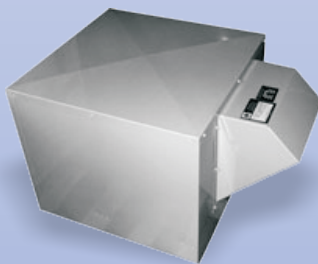
RHES/RHSS & RHEA/RHSA
Roof Hooded Exhaust & Supply Fan Series



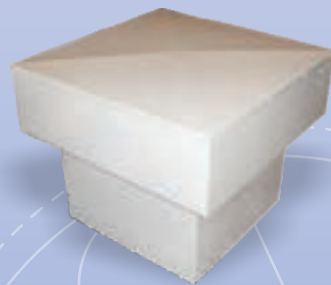
AF PRESSURE BLOWERS



RE SERIES
Roof Exhaust Fans



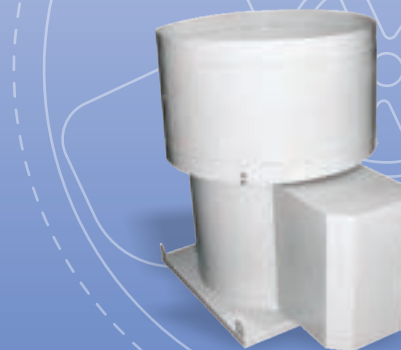
FA SERIES
Fresh Air Units



UB SERIES
Up Blast Exhaust Fans



UBD/UDD SERIES
Up Blast Tube Axial Fans



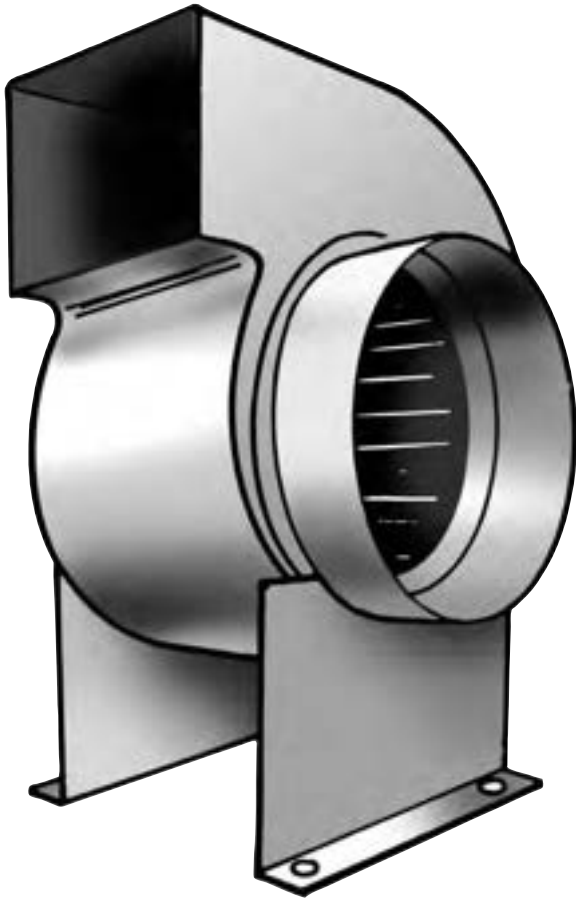


GPB SERIES

Designed to fit a host of commercial, industrial and institutional applications. Each unit can be installed in any of 90° spaced 4 positions.

GENERAL PURPOSE BLOWER

Models: GPB-450 GPB-400
GPB-250 GPB-200 GPB2-130



GPB-450, GPB-400
GPB-250, GPB-200



GPB2-130
Specially designed for
woodburning stoves
and space heaters

May, 2006

Reversomatic Manufacturing Ltd.

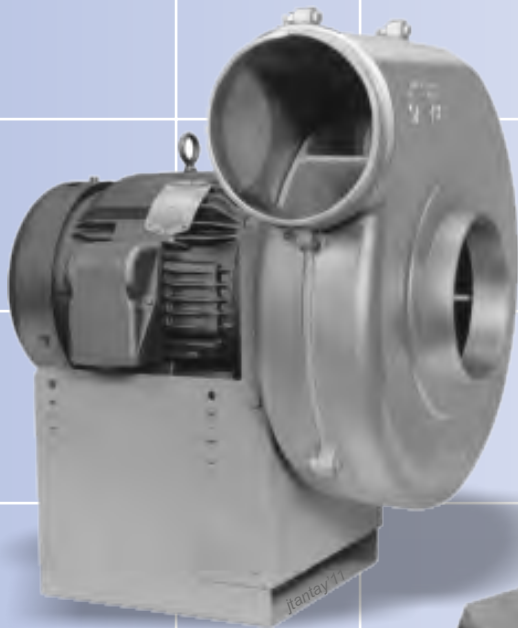
790 ROWNTREE DAIRY ROAD ▪ WOODBRIDGE, ONTARIO, CANADA L4L 5V3 ▪ PHONE (905) 851-6701 ▪ FAX (905) 851-8376



REVERSOMATIC
MANUFACTURING LIMITED

AF PRESSURE BLOWERS

MANUFACTURERS OF
HIGH EFFICIENCY
FAN/ BLOWERS/
DUST COLLECTORS



**AF CAST ALUMINUM
PRESSURE BLOWERS**

790 Rowntree Dairy Road,
Woodbridge, ON Canada L4L 5V3

Tel: 905-851-6701 • Fax: 905-851-8376
Toll Free: 1.800.810.3473 (Canada) • 1.866.890.6457 (U.S.A.)
e-mail: info@reversomatic.com

www.reversomatic.com

AF PRESSURE BLOWERS

Model AF features a rugged, lightweight and rustproof cast aluminum housing and wheel making it ideal for demanding industrial applications. Model AF is available in direct or belt drive with a variety of accessories to meet your requirements.

Capacity selections are available up to 3600 CFM and pressure selections up to 20" SP w.g.

- Split housing for maintenance ease
- Even O.D. pipe sizes on inlet and outlet
- Non-sparking cast aluminum wheel and housing
- Assortment of wheel sizes to pinpoint your performance required
- Reliability
- Wheels both statically and dynamically balanced
- Rustproof
- Low initial cost
- Available in arrangements 1, 2, 4, 8 and 9

APPLICATIONS

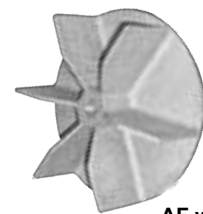
- Rubber processing
- Food processing
- Chemical processing
- Fume Control
- Dust Control
- Combustion air for incinerators, ovens, furnaces, kilns and dryers
- Cooling electronic equipment motors, generators and transformers
- Paper and printing machinery
- Light materials conveying
- Woodworking machinery
- Textile machinery
- Forced drying



Arrangement 4
Flange Mount



Arrangement 4
(Steel Base)



AF wheel



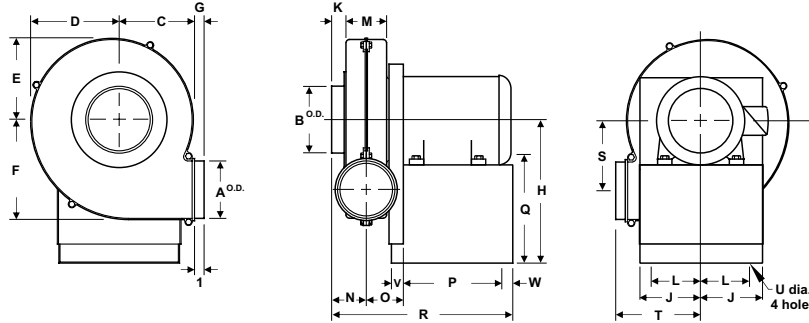
Arrangement 9
(Arrangement 1 same as shown
less motor and drives)

Available in wheel diameters from 8" thru 16 1/2". Offered in 5 sizes from 1/3 to 15 HP. Model AF features cast aluminum wheel and housing. CFM from 350 to 3600. Static Pressure to 20" WG. Model AF can be used in many applications, including material handling, dust and fume control and electronic equipment cooling. Bulletin AF-0301.

AF PRESSURE BLOWERS

DIRECT DRIVEN

Arrangement 4 (Steel Base)



ALL DIMENSIONS SHOWN IN INCHES

AF SIZE	A	B	C	D	E	F	G	H	J	K	L	M	N	O	P	Q	R	S	T	U	V	W	Frame Size
8	4	4	4 ^{15/16}	5 ^{13/16}	5 ^{3/32}	6 ^{11/16}	1 ^{3/8}	8 1/2	3 3/4	1 1/8	2 3/4	3 1/2	2 7/8	2 7/8	5	5	11 3/4	4 9/16	6 5/16	7/16	1	-	-
9	4	5	6	7 1/4	6 ^{17/32}	7 3/4	1 ^{3/16}	10 1/2	3 3/4	1 3/16	2 3/4	3 3/4	3 1/16	3 1/16	6	7	13 1/8	5 5/8	7 3/16	7/16	1	-	-
10	5	6	6 ^{11/16}	8 5/8	7 ^{15/32}	9	1 1/8	11 1/2	5	1 1/2	4	3 3/4	3 3/8	3 1/4	7	8	14 7/16	6 3/8	7 ^{13/16}	7/16	1 1/16	1 1/16	143-T 145-T
12	6	7	7 3/4	9 1/4	8 1/2	10 ^{7/16}	1 1/8	11 1/2	5	1 1/2	4	4 1/4	3 5/8	3 9/16	7	8	15	7 5/16	8 7/8	7/16	1 1/16	1 1/16	56 143-T 145-T
12	6	7	7 3/4	9 1/4	8 1/2	10 ^{7/16}	1 1/8	11 1/2	5	1 1/2	4	4 1/4	3 5/8	3 9/16	8	7	16 1/8	7 5/16	8 7/8	7/16	1 1/16	1 5/16	182-T 184-T
15	8	*	9 3/8	11	10	12	1 9/16	15	6 5/16	1 1/2	4 7/8	5 7/8	4 7/16	5 1/8	8 3/4	11 1/2	20 1/2	7 7/8	10 ^{15/16}	9/16	1 7/8	2 3/16	56 143-T 145-T
15	8	*	9 3/8	11	10	12	1 9/16	15	6 5/16	1 1/2	4 7/8	5 7/8	4 7/16	5 1/8	8 3/4	10 1/2	20 1/2	7 7/8	10 ^{15/16}	9/16	1 7/8	2 3/16	182-T 184-T
15	8	*	9 3/8	11	10	12	1 9/16	15	6 5/16	1 1/2	4 7/8	5 7/8	4 7/16	5 1/8	8 3/4	9 3/4	20 1/2	7 7/8	10 ^{15/16}	9/16	1 7/8	2 3/16	213-T 215-T

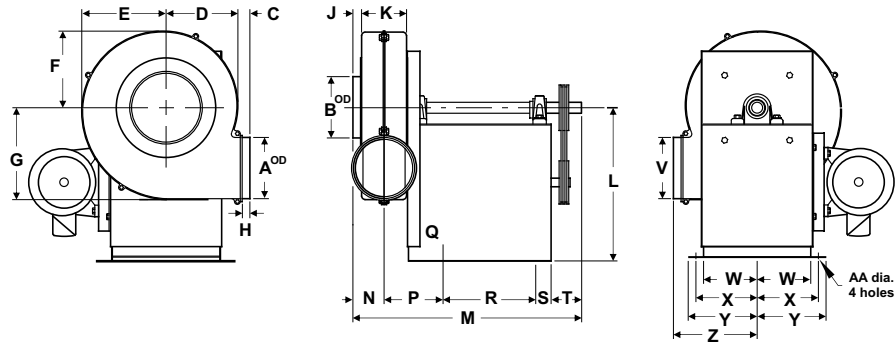
*"B" Dimension on AF-15 = 7,8 or 10

*AF-15 CW or CCW-DB, add one inch to dimension shown

BELT DRIVEN

Arrangement 9

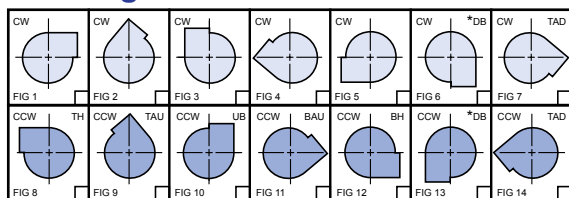
(Arrangement 1 same as shown, less motor and drives)



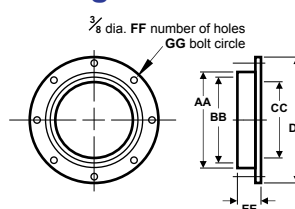
ALL DIMENSIONS SHOWN IN INCHES

AF SIZE	A	B	C	D	E	F	G	H	J	K	L	M	N	P	Q	R	S	T	V	W	X	Y	Z	AA	SHAFT DIA.	Keyway	MAXIMUM MOTOR FRAME SIZE
8	4	4	1 3/8	4 ^{19/16}	5 ^{13/16}	5 ^{3/32}	6 ^{11/16}	1	1 1/8	3 1/2	15	21 1/8	2 7/8	3	1	12	1	3	4 3/16	5	6	7	6 5/16	7/16	3/4	3/16 x 3/32	184-T
9	4	5	1 3/16	6	7 1/4	6 ^{17/32}	7 3/4	1	1 3/16	3 3/4	15	22 3/16	3 1/16	3 3/8	1	12	1	3	5 3/8	5	6	7	7 3/16	7/16	3/4	3/16 x 3/32	184-T
10	5	6	1 1/8	6 ^{11/16}	8 5/16	7 ^{15/32}	9	1	1 1/2	3 3/4	15	22 1/2	3 3/8	3 1/8	1	12	1	3	6 3/8	5	6	7	7 ^{13/16}	7/16	1	1/4 x 1/8	184-T
12	6	7	1 1/8	7 3/4	9 1/4	8 1/2	10 ^{7/16}	1	1 1/2	4 1/4	15	23	3 5/8	3 3/8	1	12	1	3	7 5/16	5	6	7	8 7/8	7/16	1	1/4 x 1/8	184-T
15	8	*	1 9/16	9 3/8	11	10	12	1	1 1/2	5 7/8	19 ^{11/16}	31	4 7/16	7 5/8	4 7/16	12	2 3/16	4 3/4	7 7/8	7	8	9	10 ^{15/16}	9/16	1 7/16	3/16 x 3/32	256-T

Discharge Positions



Flanges



Collar O.D.	AA	BB	CC	DD	EE	FF	GG
4	4 1/16	4 1/2	3 1/8	7 3/4	1 1/4	4	6 3/8
5	5 5/8	5 3/2	4 1/8	7 7/8	1 1/4	4	6 3/4
6	6 1/16	6 3/2	5 1/2	9	1 1/8	4	8
7	7 1/2	7 3/2	6 1/4	9 5/8	1 1/8	8	8 3/8
8	9	8 3/2	7 1/2	13 1/2	1 1/2	8	11 1/4
10	10 3/16	10 3/2	-	16	1 1/2	8	14 1/4

AF PRESSURE BLOWERS

SIZE 8-1000 AIR DENSITY: 0.075 LBS./CU.FT.

CFM	OV	0.50 SP.		1.00 SP.		1.50 SP.		2.00 SP.		2.50 SP.		3.00 SP.		3.50 SP.		4.00 SP.		4.50 SP.		5.00 SP.		6.00 SP.		7.00 SP.		8.00 SP.		9.00 SP.	
		RPM	BHP	RPM	BHP	RPM	BHP	RPM	BHP	RPM	BHP	RPM	BHP	RPM	BHP	RPM	BHP	RPM	BHP	RPM	BHP	RPM	BHP	RPM	BHP	RPM	BHP	RPM	BHP
87	1000	1304	0.02	1702	0.04	2032	0.06	2316	0.09	2567	0.12	2796	0.15	3007	0.19	3203	0.23	3389	0.27	3566	0.31	3894	0.40	4196	0.50	4477	0.61	4741	0.72
105	1200	1419	0.02	1762	0.04	2078	0.05	2355	0.10	2605	0.13	2832	0.16	3040	0.20	3237	0.24	3421	0.28	3595	0.32	3919	0.42	4221	0.52	4502	0.62	4766	0.74
122	1400	1522	0.03	1838	0.05	2134	0.08	2403	0.11	2645	0.14	2871	0.18	3079	0.21	3273	0.25	3455	0.29	3628	0.34	3952	0.43	4251	0.53	4528	0.64	4791	0.76
140	1600	1640	0.04	1952	0.06	2205	0.09	2459	0.12	2696	0.15	2914	0.19	3118	0.23	3312	0.27	3494	0.31	3666	0.36	3986	0.45	4284	0.55	4561	0.66	4822	0.78
157	1800	1764	0.05	2059	0.08	2297	0.11	2527	0.13	2753	0.17	2965	0.20	3166	0.24	3355	0.29	3533	0.33	3705	0.38	4025	0.47	4319	0.58	4594	0.69	4855	0.81
175	2000	1888	0.06	2163	0.09	2415	0.12	2608	0.16	2820	0.18	3025	0.22	3218	0.26	3404	0.31	3579	0.35	3745	0.40	4064	0.50	4358	0.61	4632	0.72	4890	0.84
192	2200	2015	0.08	2281	0.11	2520	0.14	2724	0.17	2901	0.21	3093	0.24	3281	0.29	3457	0.33	3631	0.38	3796	0.42	4105	0.52	4397	0.63	4671	0.75	4929	0.87
209	2400	2141	0.09	2405	0.13	2623	0.16	2838	0.20	3010	0.24	3173	0.28	3350	0.31	3523	0.36	3689	0.40	3848	0.45	4156	0.55	4440	0.66	4711	0.78	4968	0.91
227	2600	2270	0.11	2528	0.15	2736	0.19	2940	0.22	3128	0.26	3280	0.31	3431	0.35	3595	0.39	3755	0.43	3911	0.48	4208	0.59	4491	0.70	4755	0.82	5007	0.94
244	2800	2400	0.13	2653	0.18	2859	0.22	3044	0.25	3232	0.29	3398	0.34	3538	0.38	3676	0.43	3830	0.47	3978	0.52	4269	0.63	4543	0.74	4806	0.86	5054	0.99
262	3000	2536	0.16	2779	0.20	2983	0.25	3158	0.29	3335	0.33	3507	0.37	3656	0.42	3787	0.47	3911	0.52	4057	0.57	4335	0.67	4603	0.78	4858	0.90	5106	1.03
279	3200	2676	0.16	2905	0.23	3106	0.28	3281	0.33	3440	0.37	3609	0.41	3767	0.46	3904	0.51	4027	0.57	4144	0.62	4409	0.72	4669	0.83	4919	0.95	5158	1.08
297	3400	2816	0.23	3032	0.26	3230	0.32	3405	0.37	3559	0.41	3713	0.46	3869	0.51	4017	0.56	4144	0.61	4260	0.67	4490	0.79	4740	0.89	4984	1.01	5219	1.14
314	3600	2958	0.27	3160	0.30	3356	0.36	3528	0.42	3682	0.46	3823	0.51	3972	0.56	4118	0.61	4257	0.66	4378	0.72	4595	0.84	4821	0.96	5053	1.07	5285	1.20
332	3800	3101	0.31	3290	0.34	3483	0.40	3652	0.46	3806	0.52	3945	0.57	4077	0.61	4221	0.67	4359	0.72	4490	0.78	4711	0.90	4912	1.04	5134	1.15	5352	1.27
349	4000	3244	0.36	3420	0.38	3609	0.45	3777	0.51	3929	0.58	4068	0.63	4197	0.68	4326	0.73	4462	0.78	4592	0.84	4829	0.96	5027	1.10	5215	1.24	5433	1.36
367	4200	3388	0.42	3557	0.43	3736	0.50	3903	0.56	4053	0.63	4193	0.70	4319	0.75	4441	0.80	4566	0.85	4694	0.91	4938	1.03	5145	1.17	5330	1.32		
384	4400	3534	0.47	3696	0.50	3864	0.55	4030	0.62	4177	0.69	4316	0.76	4443	0.82	4562	0.88	4677	0.93	4798	0.99	5039	1.11	5263	1.24	5447	1.39		
401	4600	3682	0.54	3836	0.56	3994	0.60	4155	0.68	4303	0.76	4439	0.83	4568	0.91	4686	0.96	4798	1.01	4907	1.07	5142	1.20	5365	1.33				
419	4800	3830	0.60	3977	0.64	4124	0.67	4282	0.75	4430	0.83	4563	0.90	4690	0.98	4810	1.05	4921	1.11	5028	1.16	5246	1.29	5467	1.43				
436	5000	3978	0.68	4118	0.71	4257	0.74	4410	0.81	4556	0.90	4689	0.98	4814	1.06	4934	1.14	5045	1.21										
454	5200	4127	0.76	4261	0.80	4395	0.82	4539	0.89	4682	0.97	4816	1.06	4939	1.14	5057	1.23	5170	1.31										
471	5400	4276	0.85	4403	0.89	4535	0.92	4669	0.97	4809	1.06	4942	1.15	5064	1.23	5180	1.32	5292	1.41										
489	5600	4425	0.94	4547	0.99	4675	1.02	4800	1.05	4937	1.14	5068	1.24	5191	1.33	5305	1.42	5416	1.51										
506	5800	4575	1.04	4691	1.10	4815	1.12	4934	1.15	5066	1.23	5194	1.33	5318	1.43	5431	1.52												

SIZE 9-1015 AIR DENSITY: 0.075 LBS./CU.FT.

CFM	OV	0.50 SP.		1.00 SP.		1.50 SP.		2.00 SP.		2.50 SP.		3.00 SP.		3.50 SP.		4.00 SP.		4.50 SP.		5.00 SP.		6.00 SP.		7.00 SP.		8.00 SP.		9.00 SP.		
		RPM	BHP	RPM	BHP	RPM	BHP	RPM	BHP	RPM	BHP	RPM	BHP	RPM	BHP	RPM	BHP	RPM	BHP	RPM	BHP	RPM	BHP	RPM	BHP	RPM	BHP	RPM	BHP	RPM
87	1000	1131	0.02	1515	0.04	1814	0.06																							
105	1200	1188	0.02	1552	0.04	1851	0.06	2103	0.09																					
122	1400	1261	0.02	1596	0.05	1886	0.07	2139	0.10	2362	0.13	2563	0.16																	
140	1600	1340	0.03	1648	0.05	1929	0.08	2175	0.11	2398	0.14	2599	0.18	2784	0.21	2959	0.25													
157	1800	1422	0.04	1716	0.06	1974	0.09	2217	0.12	2434	0.15	2635	0.19	2821	0.23	2993	0.27	3154	0.31											
175	2000	1511	0.05	1791	0.07	2032	0.10	2262	0.13	2476	0.17	2671	0.20	2856	0.24	3029	0.28	3191	0.33	3344	0.37	3628	0.46							
192	2200	1601	0.06	1869	0.08	2100	0.11	2310	0.14	2521	0.18	2715	0.22	2894	0.26	3065	0.30	3227	0.35	3380	0.39	3665	0.49	3926	0.59	4169	0.69			
209	2400	1693	0.07	1950	0.10	2174	0.13	2377	0.16	2566	0.19	2759	0.23	2938	0.28	3104	0.32	3263	0.37	3416	0.42	3701	0.52	3963	0.62	4206	0.73	4434	0.84	
227	2600	1797	0.08	2035	0.12	2252	0.15	2445	0.18	2629	0.21	2804	0.25	2982	0.30	3148	0.34	3304	0.39	3452	0.44	3737	0.54	3999	0.65	4243	0.76	4471	0.88	
244	2800	1908	0.10	2124	0.13	2332	0.17	2521	0.20	2697	0.23	2864	0.27	3027	0.32	3192	0.36	3348	0.41	3496	0.46	3773	0.57	4035	0.68	4279	0.80	4508	0.92	
262	3000	2014	0.12	2214	0.15	2414	0.19	2599	0.22	2769	0.26	2931	0.30	3086	0.34	3237	0.39	3393	0.44	3540	0.49	3815	0.60	4071	0.71	4314	0.83	4544	0.96	
279	3200	2102	0.14	2305	0.17	2500	0.22	2679	0.25	2846	0.29	3001	0.33	3153	0.37	3296	0.42	3438	0.46	3585	0.52	3859	0.63	4112	0.75	4350	0.87	4579	1.00	
297	3400	2192	0.16	2397	0.20	2589	0.24	2761	0.28	2924	0.32	3077	0.36	3221	0.40	3363	0.45	3498	0.50	3630	0.55	3903	0.66	4156	0.79	4391	0.91	4615	1.04	
314	3600	2283	0.18	2499	0.23	2679	0.27	2845	0.32	3004	0.36	3154	0.40	3296	0.44	3431	0.48	3565	0.53	3693	0.59	3948	0.70	4200	0.82	4435	0.95	4656	1.09	
332	3800	2375	0.20	2609	0.26	2769	0.30	2933	0.35	3086	0.40	3233	0.44	3373	0.48	3505	0.53	3633	0.57	3760	0.63	3998	0.74	4245	0.86	4479	1.00	4700	1.13	
349	4000	2471	0.23	2720	0.30	2860	0.33	3022	0.39	3170	0.44	3314	0.48	3450	0.53	3581	0.57	3706	0.62	3828	0.67	4064	0.78	4290	0.90	4524	1.04	4744	1.18	
367	4200	2575	0.26	2829	0.34	2952	0.37	3112	0.42	3258	0.48	3396	0.53	3531	0.58	3659	0.62	3782	0.67	3900	0.72	4131	0.83	4350	0.95	4569	1.08	4789	1.23	
384	4400	2679	0.30	2917	0.38	3055	0.41	3203	0.46	3347	0.52	3480	0.58	3612	0.63	3738	0.68	3859	0.73	3976	0.78	4199	0.89	4416	1.01	4620	1.14	4833	1.28	
401	4600	2783	0.34	3007	0.41	3165	0.46	3294	0.51	3437	0.57	3568	0																	

AF PRESSURE BLOWERS

SIZE 9-1030 AIR DENSITY: 0.075 LBS./CU.FT.

CFM	OV	0.50 SP.		1.00 SP.		1.50 SP.		2.00 SP.		2.50 SP.		3.00 SP.		3.50 SP.		4.00 SP.		4.50 SP.		5.00 SP.		6.00 SP.		7.00 SP.		8.00 SP.		9.00 SP.	
		RPM	BHP	RPM	BHP	RPM	BHP	RPM	BHP	RPM	BHP	RPM	BHP	RPM	BHP	RPM	BHP	RPM	BHP	RPM	BHP	RPM	BHP	RPM	BHP	RPM	BHP	RPM	BHP
87	1000	953	0.01	1284	0.03	1557	0.04																						
105	1200	1001	0.02	1309	0.03	1571	0.05	1801	0.07																				
122	1400	1070	0.02	1345	0.04	1592	0.05	1815	0.08	2018	0.10	2202	0.13																
140	1600	1141	0.03	1390	0.04	1626	0.06	1837	0.08	2032	0.11	2215	0.13	2384	0.16	2541	0.19												
157	1800	1205	0.03	1450	0.05	1664	0.07	1869	0.09	2055	0.12	2230	0.14	2397	0.17	2555	0.20	2702	0.24										
175	2000	1265	0.04	1520	0.06	1712	0.08	1905	0.10	2087	0.13	2255	0.15	2415	0.18	2568	0.22	2716	0.25	2855	0.28	3115	0.36						
192	2200	1330	0.05	1591	0.07	1775	0.09	1951	0.11	2124	0.14	2288	0.17	2440	0.20	2590	0.23	2731	0.26	2869	0.30	3128	0.37	3367	0.45	3589	0.54		
209	2400	1403	0.05	1658	0.08	1844	0.11	2002	0.13	2166	0.15	2324	0.18	2476	0.21	2617	0.25	2755	0.28	2888	0.32	3142	0.39	3381	0.47	3603	0.56	3811	0.65
227	2600	1479	0.07	1721	0.09	1915	0.12	2069	0.15	2215	0.17	2366	0.20	2512	0.23	2653	0.26	2786	0.3	2913	0.33	3160	0.41	3394	0.49	3616	0.58	3825	0.67
244	2800	1556	0.08	1781	0.11	1988	0.14	2139	0.17	2278	0.19	2415	0.22	2554	0.25	2689	0.28	2822	0.32	2947	0.36	3185	0.43	3413	0.52	3630	0.61	3839	0.70
262	3000	1634	0.09	1842	0.12	2050	0.16	2210	0.19	2346	0.21	2473	0.24	2602	0.27	2732	0.31	2858	0.34	2983	0.38	3216	0.46	3437	0.54	3649	0.63	3852	0.73
279	3200	1713	0.10	1914	0.14	2113	0.18	2283	0.21	2416	0.24	2540	0.27	2657	0.30	2780	0.33	2902	0.37	3019	0.40	3252	0.49	3467	0.57	3673	0.66	3873	0.76
297	3400	1792	0.12	1987	0.15	2172	0.19	2347	0.24	2488	0.27	2610	0.30	2724	0.33	2834	0.36	2950	0.40	3065	0.44	3288	0.52	3503	0.60	3702	0.69	3897	0.79
314	3600	1873	0.14	2062	0.18	2233	0.21	2410	0.26	2561	0.30	2681	0.33	2793	0.37	2901	0.40	3003	0.43	3114	0.47	3328	0.55	3539	0.64	3738	0.73	3926	0.83
332	3800	1955	0.16	2138	0.20	2301	0.23	2471	0.28	2624	0.33	2753	0.37	2864	0.40	2969	0.44	3070	0.47	3168	0.51	3376	0.59	3575	0.67	3774	0.77	3962	0.87
349	4000	2038	0.18	2215	0.22	2373	0.26	2531	0.31	2686	0.36	2824	0.40	2935	0.44	3039	0.48	3138	0.51	3235	0.55	3425	0.63	3621	0.72	3810	0.81	3998	0.91
367	4200	2122	0.21	2293	0.25	2447	0.29	2592	0.33	2748	0.39	2886	0.44	3008	0.48	3111	0.52	3209	0.56	3302	0.60	3482	0.68	3670	0.76	3853	0.86	4034	0.96
384	4400	2207	0.23	2372	0.28	2522	0.32	2661	0.36	2808	0.42	2948	0.47	3075	0.53	3183	0.57	3280	0.61	3373	0.65	3549	0.73	3719	0.81	3901	0.91	4074	1.00
401	4600	2292	0.26	2452	0.31	2598	0.36	2733	0.40	2868	0.45	3010	0.51	3137	0.56	3255	0.62	3352	0.66	3444	0.71	3617	0.78	3783	0.87	3950	0.97	4122	1.06
419	4800	2378	0.29	2532	0.34	2675	0.39	2807	0.43	2932	0.48	3070	0.54	3200	0.61	3317	0.66	3424	0.72	3515	0.76	3688	0.85	3850	0.93	4005	1.03	4170	1.13
436	5000	2465	0.33	2612	0.38	2753	0.43	2882	0.47	3004	0.52	3130	0.58	3261	0.65	3379	0.71	3490	0.77	3588	0.82	3758	0.91	3918	1.00	4071	1.09	4219	1.19
454	5200	2553	0.37	2694	0.42	2831	0.47	2958	0.52	3077	0.57	3191	0.62	3320	0.69	3442	0.76	3552	0.82	3657	0.88	3830	0.98	3988	1.07	4139	1.16	4284	1.27
471	5400	2642	0.41	2775	0.46	2910	0.51	3034	0.57	3150	0.61	3263	0.67	3381	0.73	3502	0.80	3614	0.87	3719	0.94	3902	1.05	4059	1.15	4208	1.24	4351	1.34
489	5600	2731	0.45	2858	0.50	2989	0.55	3111	0.62	3226	0.67	3335	0.72	3442	0.78	3562	0.85	3676	0.93	3781	0.99	3975	1.13	4131	1.23	4278	1.33	4419	1.42
506	5800	2820	0.50	2942	0.55	3069	0.6	3189	0.67	3301	0.72	3409	0.77	3512	0.83	3623	0.90	3736	0.98	3844	1.05	4038	1.19	4203	1.31	4349	1.42	4489	1.52
524	6000	2910	0.55	3027	0.60	3149	0.66	3267	0.72	3378	0.78	3483	0.83	3585	0.89	3684	0.95	3796	1.03	3904	1.11	4100	1.26	4276	1.40	4421	1.51	4559	1.62
541	6200	2999	0.60	3112	0.65	3230	0.71	3346	0.77	3455	0.85	3558	0.90	3658	0.95	3755	1.02	3857	1.09	3964	1.17	4163	1.33	4342	1.48	4493	1.60	4630	1.72
559	6400	3089	0.66	3197	0.71	3317	0.77	3425	0.83	3532	0.91	3634	0.97	3732	1.02	3827	1.08	3919	1.15	4025	1.23	4226	1.40	4403	1.56	4566	1.70		
576	6600	3179	0.72	3282	0.77	3393	0.83	3505	0.90	3610	0.97	3711	1.04	3807	1.09	3900	1.15	3991	1.22	4085	1.29	4285	1.47	4466	1.64	4633	1.79		
593	6800	3270	0.78	3368	0.83	3476	0.90	3585	0.97	3689	1.04	3788	1.11	3882	1.17	3974	1.23	4064	1.30	4151	1.37	4345	1.54	4528	1.72				

SIZE 10-1030 AIR DENSITY: 0.075 LBS./CU.FT.

CFM	OV	0.50 SP.		1.00 SP.		1.50 SP.		2.00 SP.		2.50 SP.		3.00 SP.		3.50 SP.		4.00 SP.		4.50 SP.		5.00 SP.		6.00 SP.		7.00 SP.		8.00 SP.		9.00 SP.	
		RPM	BHP	RPM	BHP	RPM	BHP	RPM	BHP	RPM	BHP	RPM	BHP	RPM	BHP	RPM	BHP	RPM	BHP	RPM	BHP	RPM	BHP	RPM	BHP	RPM	BHP	RPM	BHP
136	1000	996	0.03	1294	0.06	1554	0.09	1786	0.13																				
164	1200	1083	0.04	1333	0.06	1581	0.10	1798	0.14	2001	0.19	2186	0.24																
191	1400	1162	0.05	1402	0.08	1617	0.11	1828	0.16	2019	0.20	2197	0.26	2367	0.31	2525	0.37	2673	0.43										
218	1600	1246	0.06	1488	0.09	1665	0.13	1864	0.17	2049	0.22	2222	0.28	2381	0.33	2536	0.39	2684	0.46										
245	1800	1333	0.07	1573	0.11	1754	0.15	1908	0.19	2086	0.24	2251	0.30	2410	0.36	2558	0.42	2698	0.48										
273	2000	1428	0.10	1652	0.13	1841	0.17	1992	0.22	2130	0.26	2291	0.32	2440	0.38	2588	0.45	2727	0.51	2859	0.58	3108	0.73	3348	0.88	3572	1.05	3781	1.22
300	2200	1514	0.11	1737	0.15	1924	0.20	2077	0.25	2211	0.30	2336	0.35	2484	0.41	2622	0.48	2757	0.55	2888	0.62	3133	0.77	3359	0.93	3583	1.09	3793	1.27
327	2400	1610	0.14	1818	0.18	2002	0.23	2166	0.28	2297	0.33	2418	0.39	2528	0.44	2666	0.51	2796	0.58	2919	0.65	3162	0.81	3387	0.97	3597	1.14	3804	1.32
355	2600	1712	0.17	1911	0.22	2087	0.26	2245	0.32	2385	0.37	2504	0.43	2615	0.49	2714	0.55	2840	0.62	2962	0.70	3192	0.85	3417	1.02	3626	1.20	3823	1.38
382	2800	1803	0.20	2007	0.26	2170	0.30	2324	0.36	2469	0.42	2591	0.48	2701	0.54	2805	0.61	2898	0.67	3006	0.74	3234	0.90	3446	1.07	3656	1.26	3852	1.44
409	3000	1894	0.23	2093	0.30	2252	0.34	2409	0.41	2546	0.47	2679	0.53	2788	0.60	2890	0.66	2989	0.73	3076	0.80	3278	0.96	3488	1.13	3685	1.31	3882	1.51
436	3200	1985	0.27	2180	0.34	2348	0.41	2492	0.46	2628	0.52	2755	0.59	2877	0.66	2977	0.73	3073	0.80	3166	0.87	3331	1.02	3532	1.19	3728	1.38	3912	1.57
464	3400	2082	0.31	2280	0.40	2445	0.48	2574	0.51	2713	0.58	2834	0.66	2954	0.73	3066	0.80	3160	0.87	3251	0.95	3422	1.10	3576	1.26	3771	1.45	3955	1.65
491	3600	2180	0.36	2382	0.46	2531	0.53	2665	0.59	2795	0.65	2919	0.72	3032	0.80	3145	0.												

AF PRESSURE BLOWERS

SIZE 12-1075 AIR DENSITY: 0.075 LBS./CU.FT.

CFM	OV	1.00 SP.		2.00 SP.		3.00 SP.		4.00 SP.		5.00 SP.		6.00 SP.		7.00 SP.		8.00 SP.		9.00 SP.		10.00 SP.		11.00 SP.		12.00 SP.		13.00 SP.		14.00 SP.	
		RPM	BHP	RPM	BHP	RPM	BHP	RPM	BHP	RPM	BHP	RPM	BHP	RPM	BHP	RPM	BHP	RPM	BHP	RPM	BHP	RPM	BHP	RPM	BHP	RPM	BHP	RPM	BHP
196	1000	1019	0.05	1407	0.11	1718	0.19																						
236	1200	1053	0.06	1420	0.13	1722	0.21																						
275	1400	1095	0.08	1440	0.14	1732	0.22	1989	0.32	2220	0.42	2429	0.53	2622	0.65														
314	1600	1163	0.10	1470	0.16	1752	0.25	1999	0.34	2225	0.45	2434	0.57	2626	0.69	2805	0.82	2973	0.95										
353	1800	1228	0.12	1510	0.19	1772	0.27	2019	0.37	2236	0.48	2438	0.60	2630	0.73	2809	0.86	2977	1.00										
393	2000	1284	0.14	1556	0.22	1809	0.31	2039	0.41	2256	0.52	2452	0.64	2634	0.77	2813	0.91	2982	1.05	3141	1.20	3292	1.36	3436	1.52	3575	1.68	3708	1.85
432	2200	1333	0.16	1623	0.26	1849	0.34	2067	0.45	2276	0.56	2472	0.69	2652	0.82	2820	0.95	2986	1.10	3145	1.26	3296	1.42	3440	1.58	3579	1.75	3712	1.93
471	2400	1378	0.19	1691	0.30	1889	0.38	2106	0.49	2299	0.60	2492	0.73	2672	0.87	2840	1.01	2998	1.16	3149	1.31	3300	1.48	3445	1.65	3583	1.82	3712	2.00
511	2600	1427	0.21	1752	0.35	1956	0.44	2147	0.54	2338	0.66	2513	0.78	2692	0.93	2860	1.08	3018	1.23	3167	1.38	3309	1.54	3449	1.71	3587	1.89	3721	2.08
550	2800	1479	0.24	1808	0.39	2024	0.51	2191	0.60	2378	0.73	2552	0.86	2713	0.99	2880	1.14	3038	1.30	3187	1.46	3329	1.63	3465	1.80	3595	1.97	3725	2.15
589	3000	1533	0.27	1860	0.44	2091	0.58	2258	0.68	2419	0.79	2592	0.93	2752	1.07	2901	1.21	3058	1.37	3207	1.54	3349	1.71	3484	1.89	3615	2.07	3740	2.25
628	3200	1594	0.31	1905	0.48	2151	0.65	2325	0.77	2473	0.88	2632	1.01	2791	1.15	2940	1.30	3080	1.45	3227	1.62	3396	1.80	3505	1.98	3635	2.17	3760	2.36
668	3400	1658	0.35	1951	0.52	2206	0.71	2393	0.86	2540	0.98	2673	1.09	2832	1.24	2980	1.40	3120	1.56	3252	1.71	3389	1.89	3525	2.08	3655	2.27	3780	2.47
707	3600	1722	0.40	1997	0.57	2262	0.78	2457	0.96	2607	1.09	2740	1.21	2872	1.34	3020	1.50	3160	1.67	3292	1.83	3418	2.00	3545	2.18	3675	2.38	3800	2.58
746	3800	1794	0.46	2050	0.63	2307	0.84	2512	1.04	2675	1.20	2808	1.33	2930	1.46	3061	1.61	3200	1.78	3331	1.95	3457	2.13	3578	2.31	3695	2.49	3820	2.70
785	4000	1867	0.52	2103	0.69	2352	0.91	2569	1.13	2740	1.32	2875	1.47	2998	1.60	3112	1.73	3240	1.90	3372	2.08	3497	2.26	3617	2.45	3732	2.63	3844	2.82
825	4200	1941	0.59	2157	0.75	2397	0.98	2622	1.22	2795	1.43	2943	1.61	3065	1.75	3179	1.89	3286	2.03	3412	2.21	3537	2.40	3657	2.60	3772	2.79	3883	2.98
864	4400	2015	0.67	2215	0.82	2444	1.05	2666	1.30	2851	1.54	3007	1.75	3132	1.91	3247	2.06	3353	2.21	3455	2.35	3578	2.55	3697	2.75	3812	2.95	3923	3.15
903	4600	2090	0.76	2278	0.90	2496	1.13	2711	1.39	2908	1.66	3062	1.88	3200	2.08	3314	2.24	3421	2.40	3522	2.55	3619	2.70	3738	2.91	3852	3.12	3963	3.33
942	4800	2166	0.85	2342	0.99	2549	1.22	2757	1.48	2954	1.76	3118	2.01	3261	2.24	3381	2.43	3488	2.59	3589	2.76	3685	2.91	3779	3.07	3893	3.29	4003	3.51
982	5000	2242	0.94	2406	1.08	2603	1.31	2803	1.58	2999	1.86	3175	2.15	3316	2.39	3450	2.63	3555	2.80	3657	2.97	3753	3.14	3845	3.30	3934	3.47	4044	3.70
1021	5200	2318	1.05	2475	1.18	2656	1.41	2853	1.68	3044	1.97	3223	2.28	3372	2.54	3505	2.79	3623	3.02	3724	3.20	3821	3.37	3912	3.55	4000	3.72	4086	3.89
1060	5400	2394	1.16	2547	1.30	2717	1.52	2906	1.79	3090	2.09	3268	2.40	3429	2.71	3560	2.97	3685	3.23	3792	3.44	3888	3.62	3980	3.80	4068	3.98		
1100	5600	2471	1.28	2620	1.43	2780	1.64	2959	1.91	3136	2.21	3313	2.53	3478	2.86	3617	3.15	3741	3.41	3860	3.68	3955	3.88	4047	4.07				
1139	5800	2548	1.41	2693	1.57	2843	1.76	3012	2.04	3186	2.34	3358	2.67	3522	3.00	3673	3.33	3797	3.61	3915	3.89	4023	4.15						
1178	6000	2625	1.54	2767	1.72	2907	1.89	3066	2.17	3239	2.48	3404	2.81	3567	3.15	3721	0.50	3853	3.82	3970	4.10	4083	4.39						
1217	6200	2702	1.69	2842	1.88	2972	2.03	3126	2.31	3292	2.66	3450	2.95	3613	3.31	3765	3.67	3910	4.03	4026	4.33								
1257	6400	2780	1.84	2917	2.05	3042	2.20	3189	2.47	3345	2.78	3503	3.12	3658	3.47	3810	3.84	3955	4.21	4083	4.56								
1296	6600	2858	2.00	2992	2.22	3115	2.38	3252	2.63	3399	2.94	3555	3.29	3704	3.64	3856	4.02	3999	4.40										
1335	6800	2936	2.17	3067	2.40	3187	2.58	3316	2.80	3453	3.11	3608	3.46	3754	3.82	3901	4.20	4044	4.59										

SIZE 15-1105-8 AIR DENSITY: 0.075 LBS./CU.FT. CAPACITY TABLE SHOWN IS BASED ON 8" INLET DIAMETER

CFM	OV	1.00 SP.		3.00 SP.		5.00 SP.		6.00 SP.		7.00 SP.		8.00 SP.		9.00 SP.		10.00 SP.		11.00 SP.		12.00 SP.		13.00 SP.		14.00 SP.		15.00 SP.		16.00 SP.	
		RPM	BHP	RPM	BHP	RPM	BHP	RPM	BHP	RPM	BHP	RPM	BHP	RPM	BHP	RPM	BHP	RPM	BHP	RPM	BHP	RPM	BHP	RPM	BHP	RPM	BHP	RPM	BHP
349	1000	933	0.09	1505	0.29	1922	0.55	2102	0.70	2267	0.86	2421	1.04	2565	1.22	2702	1.41	2832	1.61	2956	1.82	3075	2.03	3190	2.25	3300	2.48	3407	2.71
419	1200	970	0.11	1530	0.33	1935	0.59	2110	0.74	2275	0.91	2429	1.09	2573	1.28	2710	1.48	2840	1.68	2964	1.89	3083	2.11	3198	2.34	3308	2.58	3415	2.82
489	1400	1010	0.14	1561	0.37	1954	0.66	2128	0.81	2287	0.97	2436	1.14	2581	1.34	2718	1.54	2848	1.75	2972	1.97	3091	2.20	3205	2.43	3316	2.68	3423	2.92
559	1600	1065	0.17	1594	0.43	1983	0.73	2149	0.89	2307	1.06	2455	1.24	2594	1.42	2726	1.61	2855	1.83	2980	2.05	3099	2.29	3213	2.53	3324	2.78	3431	3.03
628	1800	1124	0.21	1629	0.49	2014	0.80	2180	0.98	2332	1.16	2475	1.34	2614	1.54	2746	1.74	2871	1.95	2991	2.16	3106	2.38	3221	2.62	3332	2.88	3439	3.14
698	2000	1183	0.26	1666	0.56	2047	0.89	2210	1.07	2363	1.26	2505	1.46	2639	1.66	2766	1.87	2891	2.09	3011	2.31	3126	2.54	3236	2.77	3343	3.00	3446	3.25
768	2200	1241	0.31	1704	0.64	2081	0.99	2244	1.18	2394	1.37	2536	1.57	2669	1.79	2795	2.01	2915	2.23	3031	2.46	3145	2.70	3256	2.95	3363	3.19	3466	3.44
838	2400	1304	0.37	1744	0.72	2111	1.10	2278	1.30	2428	1.50	2567	1.71	2700	1.92	2826	2.16	2946	2.38	3060	2.63	3171	2.88	3277	3.13	3382	3.38	3486	3.65
908	2600	1368	0.44	1796	0.82	2154	1.21	2314	1.43	2462	1.64	2601	1.86	2732	2.08	2856	2.31	2976	2.56	3091	2.81	3201	3.06	3307	3.33	3409	3.59	3508	3.86
977	2800	1435	0.53	1853	0.92	2192	1.34	2350	1.56	2497	1.79	2635	2.02	2766	2.26	2890	2.50	3008	2.74	3122	2.99	3232	3.26	3337	3.53	3439	3.81	3538	4.09
1047	3000	1528	0.67	1912	1.03	2231	1.48	2388	1.70	2534	1.94	2671	2.19	2800	2.44	2924	2.69	3042	2.95	3155	3.20	3263	3.46	3368	3.74	3470	4.03	3569	4.32
1117	3200	1621	0.83	1971	1.15	2276	1.63	2427	1.87	2571	2.11	2708	2.37	2836	2.63	2958	2.90	3076	3.17	3188	3.44	3296	3.71	3400	3.98	3501	4.26	3599	4.56
1187	3400	1715	1.01	2030	1.29	2330	1.79	2467	2.05	2610	2.30	2745	2.55	2873	2.83	2995	3.11	3111	3.40	3223	3.68	3330	3.97	3434	4.25	3535	4.54	3632	

Use Reversomatic fans when quality and performance come first

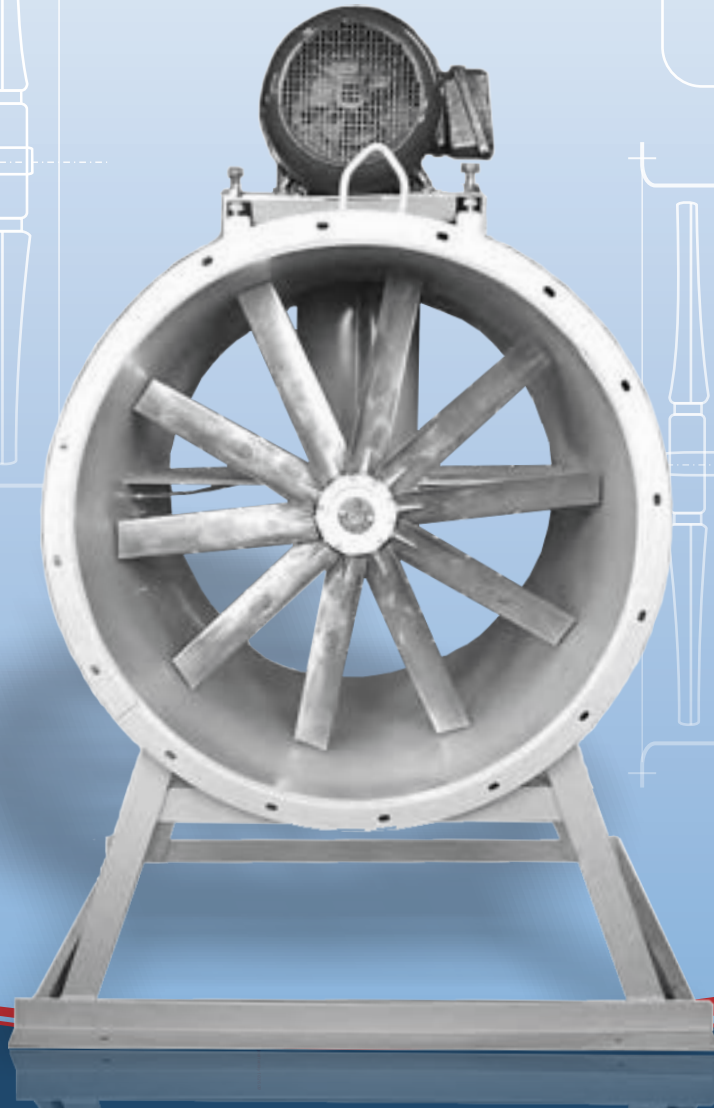
AIRFOIL TUBEAXIAL FANS

Direct Drive
Model

RDD

Belt Driven
Model

RBD



UL US
LISTED
POWER VENTILATOR
44DU

Evaluated by UL as per UL 705
(United State) and CSA Standard
C22.2 No.113-M1984 (Canada).

Tubeaxial Fans are designed for use in low to medium pressure ducted applications. They are generally used for removal of contaminated air or hot air found in industrial applications; but can also be used to supply air through duct work for cooling or pressurizing of the interior spaces ie. Elevator Shaft and Stairwells for Condominiums. Tubeaxial fans are very versatile and compact for moving large volumes of air in duct systems having relatively low pressure losses.

DIRECT DRIVE TUBEAXIAL FANS

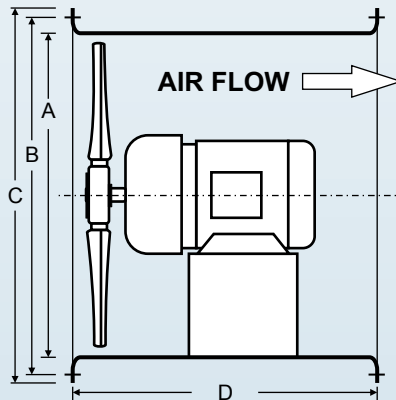
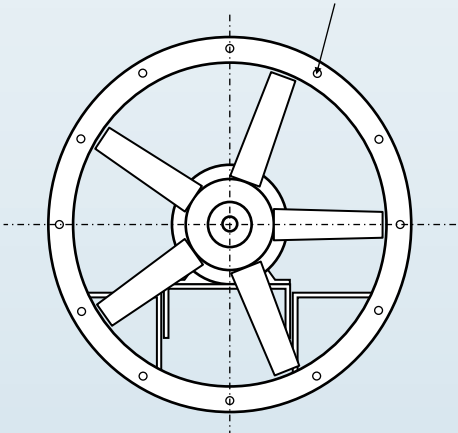


Model RDD

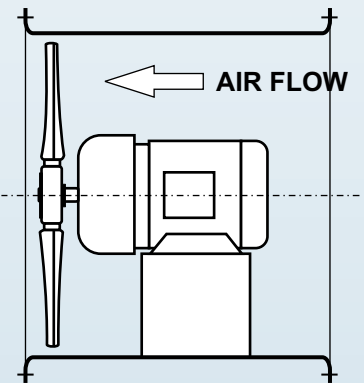
- Housing construction of Heavy Gauge Steel
- 12" through 40" Airfoil Cast Aluminum Propeller Blade
- Ranging from 800 to 44,000 CFM
- Static Pressure 0 to 3" SP.
- Motor sizes are 1/4 to 30 HP depending on propeller size and CFM desired
- The RDD is a Direct Drive fan with motor in the airstream



E - Diameter of holes
F - Number of holes



"B" RUNNING
(Factory Standard)



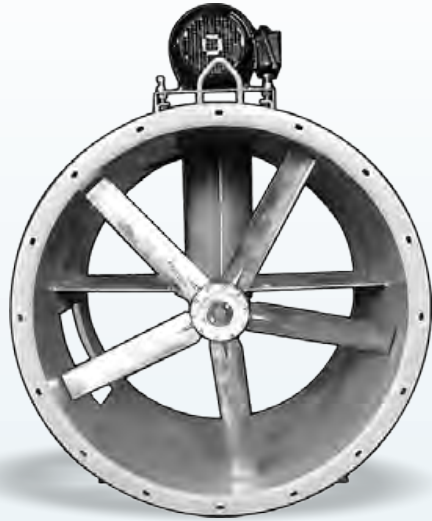
"A" RUNNING
(Optional - specify when required)

FAN DIMENSIONS

SIZE	A	B	C	E	F	MOTOR HP			D		
12	12	13 13/16	15	7/16	12	1	—	—	21	—	—
15	15	17	18	7/16	8	2	—	—	21	—	—
18	18	19 3/4	21	7/16	8	3	—	—	21	—	—
21	21	22 3/4	24	7/16	12	<= 5	—	—	24	—	—
24	24	25 3/4	27	7/16	12	<= 5	7.5-10	—	24	27	—
30	30	32 3/8	34	7/16	16	<= 5	7.5-10	—	27	30	—
36	36	38 3/8	40	7/16	16	<= 10	15-20	25-30	30	33	36
40	40	42 3/8	44	7/16	24	<= 10	15-20	25-30	33	33	36

All dimensions are in inches.

BELT DRIVEN TUBEAXIAL FANS

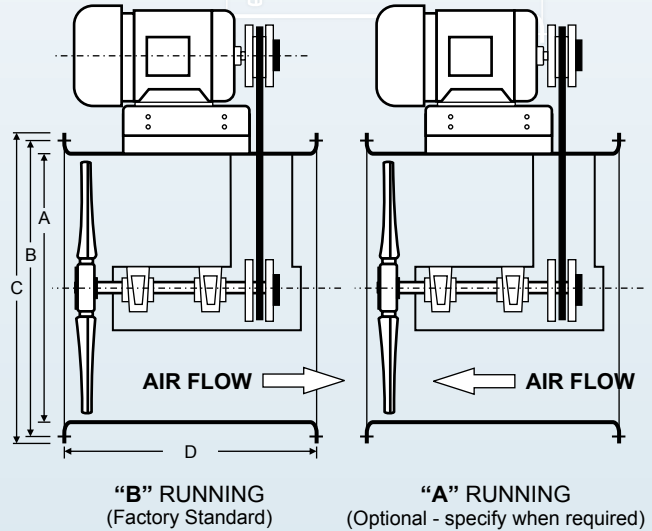
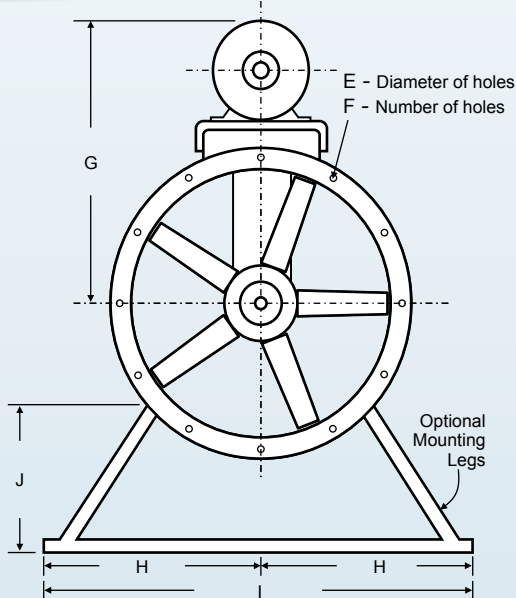


Model RBD

- Housing construction of Heavy Gauge Steel
- 12” through 48” Airfoil Cast Aluminum Propeller Blade
- Ranging from 1300 to 70,000 CFM
- Static Pressure 0 to 3” SP.
- Motor sizes are 1/4 to 50 HP depending on propeller size and CFM desired
- The RBD is a belt drive fan with motor and drives out of the airstream



Reversomatic Manufacturing Limited certifies that Models RBD-12 to RBD-48 inclusive shown on pages 7, 8 & 9 are licensed to bear the AMCA Seal. The ratings are based on tests and procedures performed in accordance with AMCA Publication 211 and AMCA Publication 311 and comply with the requirements of the AMCA Certified Ratings Program.



FAN DIMENSIONS

SIZE	A	B	C	E	F	G	MOUNTING LEGS		
							H	I	J
12	12	13 13/16	15	7/16	12	17	6	12	7 1/2
15	15	17	18	7/16	8	19	7 1/2	15	8
18	18	19 3/4	21	7/16	8	22	9	18	8 1/2
21	21	22 3/4	24	7/16	12	25	10 1/2	21	9
24	24	25 3/4	27	7/16	12	32	12	24	9 1/2
27	27	29 3/8	31	7/16	16	33	13 1/2	27	10
30	30	32 3/8	34	7/16	16	35	15	30	10 1/2
33	33	35 3/8	37	7/16	16	37	16 1/2	33	11
36	36	38 3/8	40	7/16	16	40	18	36	11 1/2
40	40	42 3/8	44	7/16	24	42	20	40	12 1/2
42	42	44 3/8	46	7/16	24	44	21	42	12 1/2
48	48	50 3/8	52	7/16	24	48	24	48	13 1/2

MOTOR HP			D		
1	—	—	21	—	—
2	—	—	21	—	—
3	—	—	21	—	—
<= 5	—	—	24	—	—
<= 5	7.5 -10	—	24	27	—
<= 5	7.5 -10	—	24	27	—
<= 5	7.5 -10	—	27	30	—
<= 5	7.5 -10	—	27	30	—
<= 10	15 -20	25 -30	30	33	36
<= 10	15 -20	25 -30	33	33	36
<= 20	25 -30	40 -50	33	36	39
<= 20	25 -30	40 -50	33	36	39

* Custom mounting legs are available upon request

All dimensions are in inches.

PERFORMANCE DATA OF TUBEAXIAL FANS

DIRECT DRIVE		150/5 BA: BLADE ANGLE				150/10 BA: BLADE ANGLE							
RPM	CFM	0" SP		1/8" SP		1/4" SP		3/8" SP		1/2" SP		3/4" SP	
		BA	HP	BA	HP	BA	HP	BA	HP	BA	HP	BA	HP
RDD 12"													
1170	800	24	0.02	31	0.04	36	0.09						
	1000	33	0.04	37	0.10								
1740	800	13	0.03	13	0.04	17	0.06	22	0.09	23	0.13		
	1000	18	0.05	19	0.06	23	0.09	29	0.13	28	0.18		
	1200	24	0.07	26	0.09	30	0.13	31	0.21	34	0.26		
	1400	30	0.11	33	0.14	34	0.25	37	0.31				
	1600	38	0.19	38	0.32								
RDD 15"													
1170	1400	21	0.05	25	0.08	27	0.13						
	1600	25	0.07	30	0.11	31	0.17						
	1800	30	0.09	39	0.16	34	0.23						
	2000	32	0.19	33	0.22								
	2200	34	0.26										
1740	1400	11	0.09	11	0.09	13	0.12	16	0.15	19	0.19	21	0.33
	1600	14	0.11	14	0.11	16	0.14	19	0.18	23	0.24	24	0.38
	1800	17	0.12	17	0.14	19	0.17	23	0.23	27	0.30	26	0.45
	2000	19	0.15	20	0.17	23	0.22	26	0.28	31	0.37	29	0.52
	2200	23	0.19	24	0.21	26	0.28	30	0.34	28	0.46	33	0.64
	2400	26	0.24	27	0.27	30	0.34	36	0.46	30	0.54	36	0.78
	2600	29	0.29	31	0.33	35	0.44	31	0.56	32	0.65		
	2800	32	0.36	34	0.42	32	0.60	33	0.68	34	0.78		
	3000	32	0.65	32	0.65	33	0.72	34	0.82				
	3200	33	0.79	33	0.79	34	0.87						

DIRECT DRIVE		150/5 BA: BLADE ANGLE				150/10 BA: BLADE ANGLE									
RPM	CFM	0" SP		1/8" SP		1/4" SP		3/8" SP		1/2" SP		3/4" SP		1" SP	
		BA	HP	BA	HP	BA	HP	BA	HP	BA	HP	BA	HP	BA	HP
RDD 18"															
864	1000	10	0.02	14	0.03	19	0.07								
	1200	11	0.02	17	0.04	22	0.09								
	1400	14	0.03	21	0.05	25	0.10								
	1600	17	0.04	24	0.07	29	0.14								
	1800	20	0.05	29	0.08	33	0.17								
	2000	24	0.06	36	0.11	38	0.21								
1170	1600	11	0.06	13	0.07	18	0.11	19	0.17	24	0.25				
	1800	13	0.07	15	0.08	20	0.13	21	0.20	26	0.27				
	2000	15	0.08	17	0.10	23	0.16	23	0.23	29	0.32				
	2400	21	0.12	23	0.14	30	0.22	29	0.36	36	0.47				
	2800	25	0.16	29	0.20	30	0.42	34	0.44						
	3200	30	0.22	37	0.30	34	0.45								
	3600	39	0.33	36	0.46										
	4000	39	0.54												
1740	2400	10	0.19	12	0.20	12	0.24	14	0.28	17	0.34	24	0.55	22	0.70
	2800	14	0.24	14	0.24	15	0.29	18	0.35	20	0.42	31	0.73	24	0.83
	3200	17	0.30	17	0.31	19	0.37	21	0.44	28	0.66	23	0.76	28	1.08
	3600	20	0.36	21	0.39	23	0.46	25	0.55	29	0.66	28	1.09	33	1.36
	4000	24	0.47	24	0.49	26	0.58	29	0.68	34	0.83	32	1.39	37	1.62
	4400	27	0.59	28	0.62	31	0.72	35	0.87	32	1.41	34	1.48		
	4800	31	0.73	32	0.79	36	0.95	33	1.39	34	1.46	39	1.79		
	5200	36	0.95	39	1.06	34	1.38	36	1.53	38	1.71				
	5600	36	1.46	36	1.48	38	1.68	39	1.86						

DIRECT DRIVE		150/5 BA: BLADE ANGLE				150/10 BA: BLADE ANGLE										
RPM	CFM	0" SP		1/8" SP		1/4" SP		3/8" SP		1/2" SP		3/4" SP		1" SP		
		BA	HP	BA	HP	BA	HP	BA	HP	BA	HP	BA	HP	BA	HP	
RDD 21"																
864	1800	11	0.04	15	0.07	18	0.13									
	2000	13	0.04	17	0.07	19	0.15									
	2400	16	0.06	21	0.10	23	0.18									
	2800	20	0.08	26	0.13	27	0.23									
	3200	24	0.11	31	0.18	31	0.29									
	3400	27	0.13	35	0.21	34	0.33									
	3600	29	0.16	30	0.25	37	0.38									
	3800	32	0.18	32	0.29											
	4000	32	0.25	34	0.33											
	4200	34	0.29	37	0.38											
4400	36	0.33	39	0.43												
4600	38	0.38														
1170	2400	11	0.09	12	0.12	15	0.17	20	0.23	19	0.35					
	2800	13	0.12	14	0.14	18	0.20	24	0.30	21	0.41					
	3200	16	0.14	17	0.18	21	0.25	28	0.38	24	0.48					
	3600	19	0.19	21	0.23	25	0.32	34	0.47	27	0.56					
	4000	22	0.23	24	0.28	29	0.39	26	0.54	30	0.67					
	4400	25	0.29	27	0.35	33	0.49	29	0.63	34	0.81					
	4800	28	0.37	31	0.44	30	0.62	33	0.77	39	1.02					
	5200	32	0.47	37	0.58	33	0.76	37	0.95							
	5600	38	0.61	34	0.77	37	0.93									
	6000	36	0.83	37	0.93											
6400	39	1.01														
1740	3600	11	0.30	11	0.31	12	0.38	13	0.45	14	0.52	19	0.70	18	1.06	
	4000	12	0.36	12	0.37	13	0.43	14	0.51	16	0.60	21	0.80	19	1.19	
	4400	14	0.42	14	0.43	14	0.49	17	0.59	19	0.68	23	0.95	21	1.33	
	4800	16	0.48	16	0.49	17	0.58	19	0.68	21	0.79	26	1.10	23	1.47	
	5200	18	0.58	18	0.59	19	0.68	21	0.79	23	0.92	29	1.27	24	1.62	
	5600	20	0.67	20	0.69	22	0.80	23	0.92	25	1.06	32	1.48	26	1.83	
	6000	22	0.79	22	0.81	24	0.92	26	1.06	28	1.23	38	3.11	29	2.04	
	6400	24	0.92	24	0.93	26	1.07	28	1.23	31	1.42	28	1.91	31	2.30	
	6800	27	1.06	27	1.10	28	1.24	31	1.42	34	1.66	30	2.11	33	2.62	
	7200	29	1.27	29	1.29	31	1.46	34	1.68	29	1.99	32	2.43	36	3.03	
7600	31	1.47	32	1.51	34	1.72	31	2.09	32	2.30	34	2.76	39	3.51		
8000	34	1.72	35	1.77	32	2.21	33	2.41	34	2.63	37	3.19				
8400	39	2.08	34	2.35	34	2.55	35	2.77	37	3.01						
8800	35	2.63	35	2.63	37	2.89	38	3.14	39	3.41						
9200	38	3.01	38	3.01	39	3.25										

PERFORMANCE DATA OF TUBEAXIAL FANS

DIRECT DRIVE																			
RPM	CFM	0" SP		1/8" SP		1/4" SP		3/8" SP		1/2" SP		3/4" SP		1" SP		1-1/2" SP		2" SP	
		BA	HP	BA	HP	BA	HP	BA	HP	BA	HP	BA	HP	BA	HP	BA	HP	BA	HP
RDD 24"																			
150/5 BA: BLADE ANGLE																			
150/10 BA: BLADE ANGLE																			
864	2800	12	0.07	15	0.10	23	0.19	22	0.31										
	3200	14	0.09	18	0.13	28	0.24	25	0.35										
	3600	18	0.11	21	0.16	34	0.30	28	0.42										
	4000	20	0.14	24	0.20	24	0.34	31	0.49										
	4400	23	0.17	28	0.25	28	0.40	35	0.57										
	4800	26	0.21	32	0.30	31	0.47												
	5200	29	0.26	37	0.38	34	0.55												
	5600	33	0.33	32	0.48	38	0.66												
	6000	39	0.43	35	0.57														
	6400	35	0.54	38	0.67														
6800	39	0.65																	
1170	3400	10	0.15	11	0.18	14	0.23	18	0.31	23	0.47	24	0.81						
	3800	12	0.18	13	0.20	16	0.27	19	0.36	28	0.58								
	4200	14	0.21	15	0.23	18	0.32	22	0.43	19	0.63	27	0.99						
	4600	16	0.24	17	0.28	20	0.37	24	0.50	21	0.71	29	1.10						
	5000	18	0.29	19	0.33	22	0.44	27	0.60	23	0.80	32	1.24						
	5400	20	0.34	21	0.39	24	0.51	31	0.70	25	0.89								
	5800	22	0.41	23	0.46	27	0.60	34	0.81	28	1.01								
	6200	24	0.47	26	0.54	30	0.70	27	0.96	30	1.14								
	6600	26	0.54	28	0.63	33	0.80	29	1.07	32	1.28								
	7000	29	0.64	31	0.73	39	0.98	32	1.22	34	1.43								
	7400	32	0.76	34	0.84	31	1.16	34	1.37	38	1.64								
	7700	34	0.88	38	0.98	33	1.28	36	1.51										
	8200	33	1.17	34	1.27	36	1.50	39	1.75										
	8600	35	1.32	36	1.44	38	1.67												
9000	37	1.50	38	1.61															
1740	5000	10	0.50	10	0.50	11	0.56	12	0.64	13	0.72	17	0.94	20	1.24	19	2.20		
	6000	13	0.65	13	0.65	14	0.70	15	0.80	17	0.92	19	1.18	24	1.63	23	2.64		
	7000	17	0.82	17	0.82	17	0.92	19	1.05	20	1.20	23	1.57	31	2.25	27	3.21		
	8000	20	1.12	20	1.13	21	1.24	22	1.40	24	1.58	28	2.07	24	2.72	31	3.91		
	9000	23	1.47	23	1.47	24	1.62	26	1.83	28	2.07	34	2.65	28	3.35	35	4.72		
	10000	27	1.87	27	1.89	29	2.11	31	2.35	33	2.62	29	3.49	32	4.09				
	11000	32	2.48	32	2.50	34	2.71	37	3.08	31	3.67	33	4.31	36	5.01				
	12000	38	3.46	39	3.47	33	3.92	34	4.27	35	4.60	37	5.28						
	13000	36	4.54	36	4.54	37	4.85	38	5.20	39	5.56								
	RDD 30"																		
150/5 BA: BLADE ANGLE																			
150/10 BA: BLADE ANGLE																			
864	4000	10	0.09	12	0.15	17	0.24	16	0.42										
	5000	13	0.14	15	0.20	20	0.33	18	0.51	24	0.72								
	6000	16	0.18	18	0.27	24	0.43	22	0.63	28	0.90								
	7000	19	0.26	22	0.37	29	0.56	25	0.78	32	1.10								
	8000	23	0.35	26	0.48	26	0.73	29	0.96										
	9000	26	0.46	31	0.62	29	0.90	33	1.12										
	10000	31	0.64	39	0.93	33	1.15												
	11000	37	0.86	33	1.10	37	1.46												
	12000	35	1.16	37	1.38														
	13000	39	1.47																
1170	5400	10	0.21	10	0.28	12	0.39	15	0.50	18	0.66	17	1.13						
	6000	11	0.27	12	0.33	14	0.44	16	0.58	19	0.75	18	1.24						
	7000	14	0.38	14	0.41	16	0.55	19	0.73	22	0.93	20	1.41						
	8000	16	0.44	16	0.52	19	0.69	21	0.89	25	1.12	23	1.66						
	9000	18	0.57	19	0.64	21	0.86	24	1.09	29	1.38	25	1.94						
	10000	21	0.69	22	0.81	24	1.06	28	1.32	24	1.67	28	2.27						
	11000	23	0.90	24	1.02	27	1.27	32	1.67	27	1.96	31	2.65						
	12000	25	1.08	27	1.24	31	1.54	27	1.99	29	2.28	34	3.18						
	13000	29	1.40	30	1.51	36	2.05	29	2.32	32	2.72								
	14000	33	1.76	37	2.14	31	2.40	33	2.79	35	3.24								
	15000	37	2.22	32	2.45	34	2.85	36	3.31	39	3.90								
	16000	34	2.82	35	2.90	37	3.37	39	3.91										
	17000	37	3.28	38	3.42	39	3.93												
	1740	8000	10	0.70	10	0.70	10	0.88	11	1.05	12	1.22	14	1.53	17	1.94	15	3.33	
10000		13	1.14	13	1.14	13	1.23	14	1.42	14	1.61	17	2.08	20	2.62	18	4.13	23	5.71
11000		14	1.41	14	1.41	14	1.43	15	1.65	16	1.89	19	2.41	22	3.02	19	4.47	25	6.29
12000		16	1.48	16	1.48	16	1.67	17	1.92	18	2.19	21	2.78	24	3.44	22	5.01	27	7.10
13000		18	1.77	18	1.77	18	1.94	19	2.21	20	2.52	23	3.20	26	3.94	23	5.58	29	7.81
14000		19	2.09	19	2.09	20	2.22	21	2.58	22	2.94	24	3.66	28	4.48	25	6.20	31	8.65
15000		21	2.34	21	2.34	22	2.63	23	3.01	24	3.40	27	4.14	33	5.59	27	6.91	33	9.75
16000		23	2.80	23	2.80	23	3.09	24	3.50	26	3.87	29	4.64	25	5.86	28	7.64		
17000		24	3.31	24	3.31	25	3.56	27	3.96	28	4.34	33	5.56	27	6.53	30	8.48		
18000		26	3.64	26	3.64	27	4.06	28	4.45	30	4.89	39	6.36	28	7.24	33	9.63		
19000		28	4.36	28	4.36	29	4.63	31	5.15	34	5.93	29	7.08	30	8.06	35	10.93		
20000		31	5.14	31	5.14	32	5.49	34	6.19	38	7.28	30	7.94	32	9.13				
21000		33	5.94	33	5.94	38	6.53	30	7.30	31	7.83	32	8.97	34	10.27				
22000		36	6.84	36	6.84	32	7.67	32	8.23	33	8.81	34	10.06	37	11.60				
23000	33	8.41	33	8.41	33	8.61	34	9.22	35	9.86	37	11.29	39	13.00					
24000	35	9.25	35	9.25	35	9.63	36	10.30	37	11.01	39	12.57							

DIRECT DRIVE																								
RPM	CFM	0" SP		1/8" SP		1/4" SP		3/8" SP		1/2" SP		3/4" SP		1" SP		1-1/2" SP		2" SP		2 1/2" SP		3" SP		
		BA	HP	BA	HP	BA	HP	BA	HP	BA	HP	BA	HP	BA	HP	BA	HP	BA	HP	BA	HP	BA	HP	
RDD 36"		150/5 BA: BLADE ANGLE										150/10 BA: BLADE ANGLE												
864	7000	10	0.35	11	0.40	13	0.51	16	0.66	20	0.95	19	1.50											
	8000	12	0.41	12	0.46	14	0.56	18	0.80	23	1.11	21	1.75											
	10000	15	0.50	16	0.58	19	0.83	22	1.11	28	1.50	26	2.28											
	12000	19	0.74	20	0.85	23	1.10	27	1.46	24	1.96	29	2.84											
	14000	24	1.00	25	1.11	28	1.50	33	2.06	28	2.47	34	3.62											
	16000	28	1.42	30	1.60	33	2.12	30	2.67	32	3.10													
	18000	31	1.99	33	2.29	33	2.90	34	3.30	37	4.00													
	20000	34	2.82	35	3.13	37	3.63	39	4.30															
22000	38	3.87	39	4.03																				
1170	9500	10	0.88	10	0.91	11	1.03	12	1.16	13	1.31	17	1.83	24	2.77									
	10000	10	0.94	10	0.96	12	1.08	13	1.21	14	1.36	18	1.96	24	2.90									
	12000	13	1.14	13	1.14	14	1.25	15	1.43	17	1.76	21	2.51	28	3.72									
	14000	16	1.33	16	1.36	17	1.61	19	1.95	20	2.32	24	3.07	22	4.26									
	16000	19	1.78	19	1.79	20	2.11	22	2.44	23	2.81	28	3.82	15	5.05									
	18000	22	2.20	22	2.24	24	2.55	25	2.95	27	3.49	33	4.98	28	6.01									
	20000	26	2.87	26	2.87	27	3.27	29	3.82	31	4.48	28	6.00	30	7.07									
	22000	29	3.67	29	3.72	30	4.27	32	4.97	34	5.77	31	7.10	33	8.38									
	24000	31	4.69	31	4.85	33	5.54	34	6.34	32	7.16	34	8.29	38	10.39									
	26000	33	6.12	33	6.23	34	7.04	34	7.71	35	8.34	38	10.12											
	28000	36	8.07	36	8.07	37	8.61	37	9.31	38	10.12													
	30000	39	9.81	39	9.81	39	10.33																	
1740	14100	10	2.89	10	2.89	10	2.95	10	3.11	11	3.29	12	3.69	13	4.12	16	5.34	19	7.60	16	9.79	19	12.04	
	16000	12	3.36	12	3.36	12	3.38	12	3.53	12	3.70	13	4.09	14	4.51	18	6.39	22	8.85	18	11.15	21	13.81	
	18000	13	3.78	13	3.78	13	3.78	13	3.88	14	4.06	15	4.49	16	5.45	19	7.64	24	10.15	20	12.72	23	15.88	
	20000	15	4.01	15	4.01	15	4.05	15	4.29	16	4.66	17	5.59	19	6.66	22	8.85	27	11.89	22	14.68	25	17.95	
	22000	17	4.94	17	4.94	17	4.97	18	5.30	18	5.75	19	6.82	21	7.82	24	10.05	30	13.66	24	16.51	27	20.45	
	24000	19	5.98	19	5.98	19	5.98	20	6.34	20	6.82	22	7.82	23	8.87	27	11.65	24	15.76	26	18.64	29	20.60	
	26000	21	6.76	21	6.76	21	6.88	22	7.29	23	7.77	24	8.82	25	10.11	29	13.49	26	17.69	28	20.81	31	25.51	
	28000	24	8.03	24	8.03	24	8.04	24	8.34	25	8.82	26	10.31	28	11.96	33	16.27	28	19.80	30	23.10	34	28.71	
	30000	26	9.65	26	9.65	26	9.63	26	10.03	27	10.69	28	12.30	30	14.15	37	20.02	29	22.01	32	26.17	32	26.17	
	32000	28	11.39	28	11.39	28	11.45	29	12.01	29	12.77	31	14.68	32	16.88	30	21.41	32	24.08	34	29.16	34	29.16	
	34000	30	13.12	30	13.12	30	13.50	31	14.37	31	15.33	32	17.47	34	19.87	32	23.95	34	27.59	39	35.13			
	36000	31	15.88	31	15.88	31	16.20	32	17.18	32	18.24	34	20.56	32	23.29	34	26.51	37	31.65					
	38000	33	19.01	33	19.01	33	19.18	33	20.30	34	21.46	33	24.12	34	25.65	36	30.00	39	36.47					

RDD 40"		250/7 BA: BLADE ANGLE										250/14 BA: BLADE ANGLE													
864	8000	10	0.29	11	0.39	13	0.53	15	0.69	19	0.96	17	1.70												
	10000	13	0.43	13	0.49	15	0.66	18	0.93	22	1.24	20	2.03												
	12000	16	0.53	16	0.63	18	0.88	21	1.19	26	1.59	23	2.47												
	14000	18	0.71	19	0.81	21	1.13	24	1.49	32	2.23	26	3.03												
	16000	21	0.86	22	1.05	24	1.44	30	2.08	25	2.58	29	3.67												
	18000	24	1.19	25	1.40	29	1.99	35	2.69	28	3.21	33	4.46												
	20000	28	1.62	29	1.91	34	2.64	29	3.45	31	3.91	39	5.81												
	22000	32	2.22	34	2.62	31	3.65	33	4.08	34	4.59														
	24000	37	2.90	39	3.47	34	4.20	36	4.84	38	5.68														
	1170	12000	11	0.87	11	0.90	12	1.11	13	1.31	14	1.51	17	2.14	22	3.02	20	5.06							
		14000	13	1.13	13	1.13	14	1.30	15	1.52	16	1.85	19	2.61	24	3.53	22	5.92							
		16000	15	1.28	15	1.32	16	1.57	17	1.89	19	2.26	22	3.11	30	4.82	24	6.69							
18000		18	1.59	18	1.60	18	1.90	19	2.28	21	2.72	24	3.65	34	5.84	27	7.99								
20000		19	1.93	19	1.93	20	2.27	22	2.75	23	3.25	28	4.71	24	6.01	29	9.14								
22000		22	2.22	22	2.30	23	2.79	24	3.32	26	4.00	32	5.79	26	7.01	32	10.58								
24000		24	2.82	24	2.84	25	3.42	27	4.18	29	5.03	37	7.24	28	8.18										
26000		26	3.48	27	3.61	28	4.34	30	5.22	33	6.20	29	8.14	31	9.48										
28000		29	4.54	29	4.60	31	5.47	34	6.50	37	7.67	31	9.40	33	10.79										
30000		33	5.64	33	5.81	35	6.85	38	8.03	32	9.34	33	10.57												
32000		36	6.81	36	7.16	39	8.42	33	9.76	34	10.37														
1740		16000	10	2.37	10	2.37	10	2.51	10	2.82	10	3.11	12	3.69	13	4.26	15	5.51	18	7.68	14	11.25	17	13.54	
	18000	11	2.91	11	2.91	11	2.92	12	3.23	12	3.54	13	4.14	14	4.73	17	6.43	20	8.75	16	12.67	18	14.96		
	20000	13	3.48	13	3.48	13	3.48	13	3.66	13	3.98	14	4.59	15	5.31	18	7.40	22	9.89	18	13.95	19	16.23		
	22000	14	4.08	14	4.08	14	4.08	14	4.10	14	4.41	15	5.18	17	6.16	19	8.42	23	11.04	19	15.14	21	17.99		
	24000	16	4.27	16	4.27	16	4.34	16	4.66	16	5.05	17	5.98	18	7.05	21	9.49	25	12.34	20	16.49	23	19.76		
	26000	17	4.96	17	4.96	17	4.96	17	5.33	17	5.77	18	6.81	19	7.97	23	10.65	28</							

PERFORMANCE DATA OF TUBEAXIAL FANS

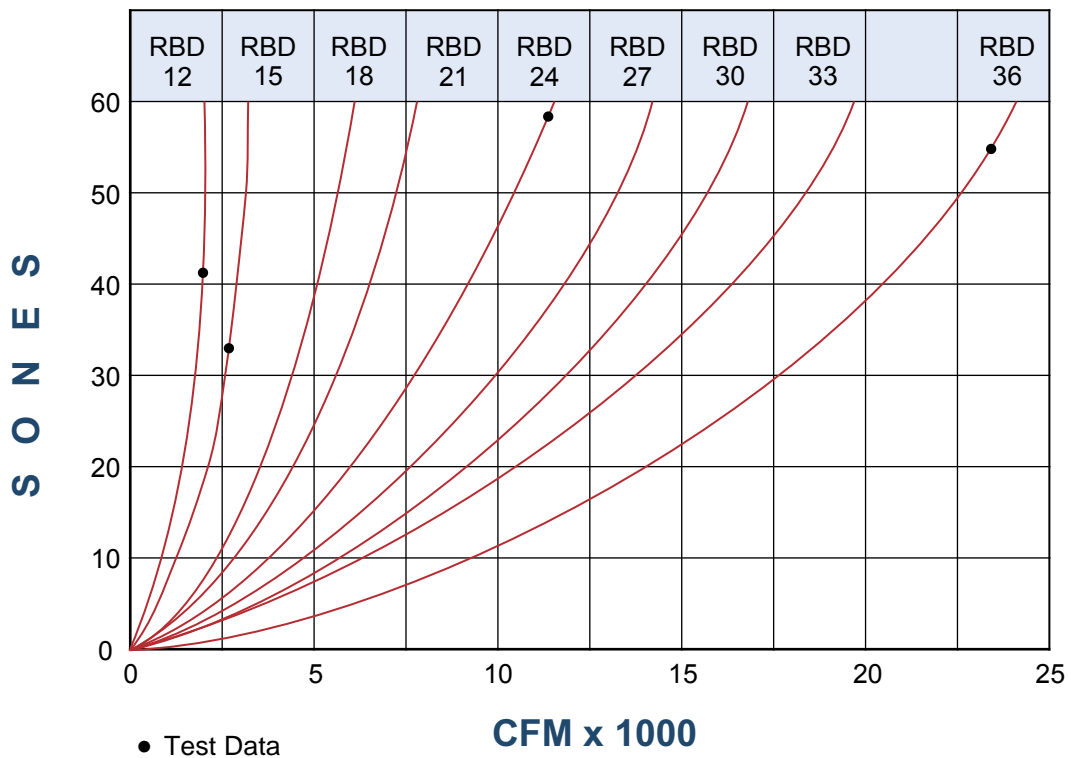
BELT DRIVE 150 mm HUB DIA. 5 BLADES 25° BLADE ANGLE										
MOTOR H.P.	Max. Input Power Watts	FAN RPM	0" SP CFM	1/8" SP CFM	1/4" SP CFM	3/8" SP CFM	1/2" SP CFM	3/4" SP CFM	1" SP CFM	1-1/2" SP CFM
RBD-12"										
0.25 HP	353	2371	1294	1251	1167	1076	986	766		
0.33 HP	471	2601	1429	1382	1303	1224	1142	953	662	
0.50 HP	707	2988	1632	1592	1518	1446	1370	1205	946	
0.75 HP	1059	3420	1870	1820	1760	1690	1620	1460	1200	460
1.00 HP	1413	3765	2057	2006	1949	1879	1812	1657	1384	566
RBD-15"										
0.50 HP	631	1860	2258	2070	1850	1610	1215	250		
0.75 HP	1032	2192	2661	2500	2348	2145	1930	810	353	
1.00 HP	1268	2348	2850	2710	2560	2390	2200	1610	590	
1.50 HP	1894	2685	3260	3200	3000	2876	2760	2364	1190	432
2.00 HP	2528	2955	3587	3390	3280	3190	3080	2790	2300	850
RBD-18"										
0.75 HP	864	1951	3613	3493	3256	3021	2769	2230		
1.00 HP	1153	2148	3978	3857	3641	3421	3197	2699	1995	
1.50 HP	1730	2459	4558	4445	4245	4038	3831	3379	2690	878
2.00 HP	2307	2706	5018	4895	4713	4519	4313	3880	3174	1213
3.00 HP	3460	3097	5741	5599	5439	5251	5059	4632	3875	1600
RBD-21"										
0.75 HP	800	1580	4606	4422	4064	3698	3320	2340		
1.00 HP	1068	1739	5066	4895	4570	4231	3878	3099		
1.50 HP	1602	1991	5797	5642	5348	5044	4726	4045	3065	
2.00 HP	2136	2191	6384	6227	5952	5665	5371	4729	3763	1199
3.00 HP	3204	2508	7305	7125	6896	6619	6350	5736	4721	1854
RBD-24"										
1.00 HP	987	1478	7996	7636	7124	6624	5997	4505		
1.50 HP	1480	1691	9150	8839	8391	7977	7458	6424	4924	
2.00 HP	1973	1861	10071	9786	9375	9017	8524	7655	6528	
3.00 HP	2960	2132	11479	11227	10915	10603	10187	9459	8524	3742
5.00 HP	4933	2528	13664	13318	13059	12840	12494	11836	11098	5548
RBD-27"										
1.00 HP	931	1365	9738	9096	8264	7495	6516	5148		
1.50 HP	1396	1561	11170	10585	9848	9193	8424	6648		
2.00 HP	1861	1718	12285	11799	11071	10491	9788	8409	7171	
3.00 HP	2792	1969	14047	13654	12962	12451	11821	10743	9345	4409
5.00 HP	4654	2334	16650	16278	15690	15272	14704	13745	12590	5940

NOTE: Performance certified is for installation type A; Free Inlet, Free Outlet. Performance ratings do not include the effects of appurtenances (accessories). Power (BHP) includes transmission losses. The sound ratings shown are loudness values in fan sones at 1.5 m (5 ft.) in a hemispherical free field calculated per AMCA International Standard 301. Values shown are for: Installation A: Free inlet hemispherical sone levels.

BELT DRIVE			150 mm HUB DIA. 5 BLADES 25° BLADE ANGLE									
MOTOR HP	Max. Input Power Watts	FAN RPM	0" SP CFM	1/8" SP CFM	1/4" SP CFM	3/8" SP CFM	1/2" SP CFM	3/4" SP CFM	1" SP CFM	1-1/2" SP CFM	2" SP CFM	2-1/2" SP CFM
RBD-30"												
1.00 HP	883	1148	11479	10556	9404	8366	7035					
1.50 HP	1324	1313	13191	12332	11305	10408	9389	6872				
2.00 HP	1765	1445	14500	13812	12767	11965	11052	9163				
3.00 HP	2648	1655	16614	16081	15008	14299	13455	12027	10165			
5.00 HP	4412	1963	19635	19238	18322	17704	16914	15654	14082	6333		
7.50 HP	6619	2247	22455	22000	21440	20817	19990	18803	17440	8583		
RBD-33"												
1.00 HP	841	990	13221	12016	10545	8467	7554					
1.50 HP	1262	1133	15211	14078	12762	10969	10355	7096				
2.00 HP	1682	1246	16714	15825	14462	12859	12316	9917				
3.00 HP	2523	1428	19182	18508	17055	15637	15088	13310	10986			
5.00 HP	4205	1693	22621	22198	20953	19718	19124	17562	15574	6725		
7.50 HP	6308	1938	25870	25385	24519	23185	22602	21095	19288	9114		
RBD-36"												
2.00 HP	1760	1045	17769	16390	15240	13964	12311	8783				
3.00 HP	2640	1196	20278	19219	18073	16873	15531	13292	6733			
5.00 HP	4400	1418	24093	23316	22176	21140	19793	18135	11399			
7.50 HP	6600	1627	27506	26731	26731	24922	23581	22122	14465			
10.0 HP	8800	1787	30317	29462	29462	27928	26517	25256	16798			

NOTE: Performance certified is for installation type A; Free Inlet, Free Outlet. Performance ratings do not include the effects of appurtenances (accessories). Power (BHP) includes transmission losses. The sound ratings shown are loudness values in fan sones at 1.5 m (5 ft.) in a hemispherical free field calculated per AMCA International Standard 301. Values shown are for: Installation A: Free inlet hemispherical sone levels.

SONES AT 0.00" STATIC PRESSURE

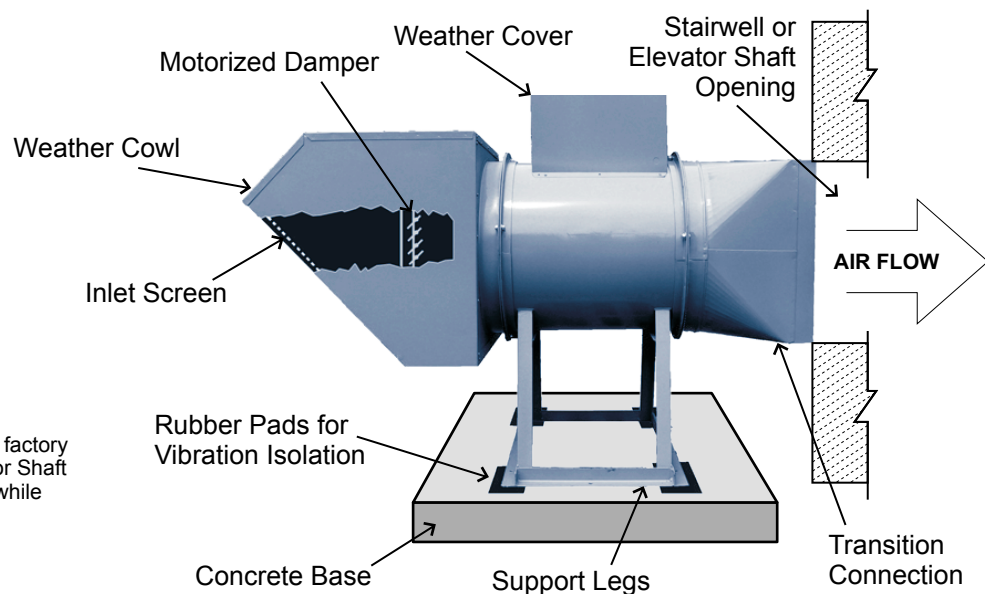


BELT DRIVE											
MOTOR HP	FAN RPM	0" SP CFM	1/8" SP CFM	1/4" SP CFM	3/8" SP CFM	1/2" SP CFM	3/4" SP CFM	1" SP CFM	1-1/2" SP CFM	2" SP CFM	2-1/2" SP CFM
RBD-40"		250 mm HUB DIA. 7 BLADES 25° BLADE ANGLE									
2.00 HP	949	20100	19600	18200	16600	14700					
3.00 HP	1086	23100	22600	21700	20300	18900	15400				
5.00 HP	1288	27300	27300	26500	25500	24400	21900	19000			
7.50 HP	1475	31300	31300	30800	30000	29100	27200	25000	19400		
10.0 HP	1623	34500	34500	34200	33500	32800	31100	29200	24800	18300	
RBD-42"		250 mm HUB DIA. 7 BLADES 25° BLADE ANGLE									
2.00 HP	848	19800	19080	17370	15300	12780					
3.00 HP	972	22680	22230	20790	19170	17370	11790				
5.00 HP	1153	26910	26730	25650	24480	23040	19890	15570			
7.50 HP	1319	30780	30780	29970	28980	27900	25380	22590			
10.0 HP	1454	33930	33930	33390	32490	31590	29430	27090			
15.0 HP	1662	38790	38790	38610	37980	37170	35460	33570	29250		
20.0 HP	1832	42750	42750	42660	42120	41490	40050	38430	34830	30600	25110
25.0 HP	1974	46080	46080	45990	45630	45090	43830	42390	39150	35640	31410
RBD-48"		380 mm HUB DIA. 14 BLADES 25° BLADE ANGLE									
2.00 HP	771	22000	21200	19300	17000	14200					
3.00 HP	884	25200	24700	23100	21300	19300	13100				
5.00 HP	1048	29900	29700	28500	27200	25600	22100	17300			
7.50 HP	1199	34200	34200	33300	32200	31000	28200	25100			
10.0 HP	1322	37700	37700	37100	36100	35100	32700	30100			
15.0 HP	1513	43100	43100	42900	42200	41300	39400	37300	32500		
20.0 HP	1665	47500	47500	47400	46800	46100	44500	42700	38700	34000	27900
25.0 HP	1794	51200	51200	51100	50700	50100	48700	47100	43500	39600	34900

NOTE: Heavy duty blades are available for 20 to 50 HP & 40,000 to 70,000 CFM fans depend on operating conditions. Contact factory for selection & more information.

STAIR / ELEVATOR PRESSURIZATION

Roof Mounted Assembly Model RBD - Belt Drive



NOTE: Height of Support Legs is factory supplied to suit Stairwell or Shaft Opening. Please specify while ordering.

RBD TYPICAL SPECIFICATION

All belt-drive tube axial fans supply and/or exhaust are model RBD as manufactured by Reversomatic. Propeller construction consists of extruded aluminum propeller blades mounted in cast aluminum hub. The blade pitch is pre-set at the factory to match design conditions and locked into place by means of a self-locking pin. All propellers are statically and dynamically balanced for vibration-free operation. All fans have a heavy gauge steel housing and power assembly. All bearings are grease

lubricated ball bearing pillow block type with a minimum average life of 100,000 hours. All units have external grease fittings for ease in lubricating. Oil resistant nonstatic belts are provided. All fans bear the AMCA seal for sound and air performance. All steel sheet metal parts are cleaned, conditioned and painted with enamel paint finish prior to assembly. A final coat of gray enamel is applied to all exterior surfaces after assembly.

INSTALLATION

Reversomatic RDD and RBD duct fans may be mounted in any position using several different methods, mounting brackets for ceiling suspension and support legs for floor mounting. Angle supports for rod hangers. For convenience in wiring & service, the motor should be readily accessible. On direct drive units, access through adjacent duct work is recommended. On belt drive units, the motor position must

be considered with regard to service and adjacent objects such as wall and ceiling. Access door is provided. The duct fan has flanged ends on the steel housing for convenience mounting directly in the duct system. Flexible connections or transition pieces may be utilized to reduce noise transmission, simplify duct attachment and provide access to interior of fan.

MAINTENANCE

Tubeaxial fans should be cleaned as necessary to remove accumulated dust, dirt and other foreign matter which may collect on the blades or interior surfaces. Belt drive, belt(s) should be inspected and tension adjusted. Check belt(s) for proper alignment. On all belt drive models fan bearings are factory lubricated for extended service. External relubrication fan bearing fittings are standard

with belt drive models. Pillow-block ball bearings should be lubricated annually or more frequently, depending upon conditions and operating cycle. For lubrication of electric motor, see instructions supplied by motor manufacturer. Always check blade clearance and check direction of rotation with arrow on housing before operating.

WARRANTY

REVERSOMATIC MANUFACTURING LIMITED WARRANTS IT WILL PROVIDE A REPLACEMENT PART OF ITS FANS FOUND TO BE DEFECTIVE IN MATERIAL OR WORKMANSHIP FOR A PERIOD OF ONE YEAR FROM DATE OF PURCHASE FOR FIRST USER, F.O.B. OUR PLANT.

NOTE: THIS WARRANTY DOES NOT APPLY TO LABOR COSTS INVOLVED IN REPLACEMENT OR REINSTALLATION, DIAGNOSTIC SERVICE, CLEANING AND ADJUSTMENT OR TRANSPORTATION. FURTHERMORE WARRANTY IS ONLY APPLICABLE WHEN REVERSOMATIC REPLACEMENT PARTS AND ACCESSORIES ARE USED.

APPROXIMATE SHIPPING WEIGHT (LESS MOTOR) LBS

FAN SIZE	RDD	RBD
12	66	79
15	110	121
18	141	150
21	158	198
24	176	238

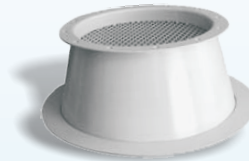
FAN SIZE	RDD	RBD
30	209	286
36	396	418
40	440	484
42		528
48		616

ACCESSORIES - (Optional)



WEATHER COVER

Complete enclosure weather covers are available on all RBD fans. The cover provides weather protection for the motor and the drive when the fan is used in outside applications.



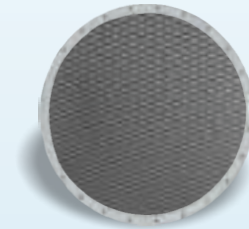
INLET BELL

Spun aluminum inlet bell available for installation on site



BELT GUARD

Belt Guard is available for all RBD fans to prevent accidental contact with the drive. Expanded metal is used to cover the front of the guard to allow visual inspection of the drive without removal of the guard.



SCREEN



INSPECTION DOOR

Provides easy access to the bearings.



SUPPORT FRAME / CEILING BRACKET

ALSO AVAILABLE: Floor Mounting Feet, and Disconnect Switch.

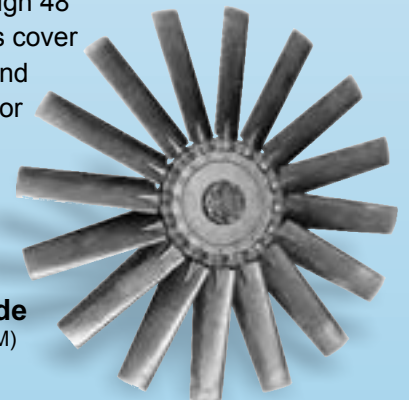
ALUMINUM DIE CAST PROPELLER



Standard Duty Blade
(800 to 40,000 CFM)

The RBD/RDD aluminum die cast propeller has been designed for use where high static pressure are required. It is constructed of multiple blades 5, 7, 8, 9, 10, 14 & 16 blades. The pitch setting of the blades is done at the factory & the blades are locked into place by means of a self-locking pin. Both units come in a variety of pitches (5° to 45°) to provide a wider performance range. Due to the airfoil blade design the propeller has a non-overloading characteristic such as found in a centrifugal type wheel. The propeller is available in sizes 12" through 48" for belt drive RBD and 12" to 40" for direct drive RDD. Both types cover the range of 0" to 3" static pressure. Each propeller is statically and dynamically balanced for vibration free operation. It is designed for (temperature range) - 40° to 302°F (-40° to 150°C).

NOTE: For 20 HP & Up and 1" S.P. & higher, use **heavy duty blades**.



Heavy Duty Blade
(40,000 to 70,000 CFM)



REVERSOMATIC
MANUFACTURING LIMITED

790 Rowntree Dairy Road, Woodbridge ON, Canada L4L 5V3
Tel: 905-851-6701 • Fax: 905-851-8376 • info@reversomatic.com

www.reversomatic.com



UP BLAST

BELT DRIVEN ROOF EXHAUST FAN

24" through 60"
Capacities from 1,000 to 47,000 CFM

These low pressure, belt driven fans are ideally suited for ventilation of warehouses, public buildings, greenhouses etc.

FEATURES

- The frame features a Venturi orifice
- Welded construction
- Housing made of heavy gauge satin coat steel
- Enamel finish
- Belt drive engineered to 50% overload
- For both exhaust and intake
- Non overloading characteristics
- The propeller blades are made of heavy gauge steel and are factory statically balanced
- Self acting, butterfly aluminum damper

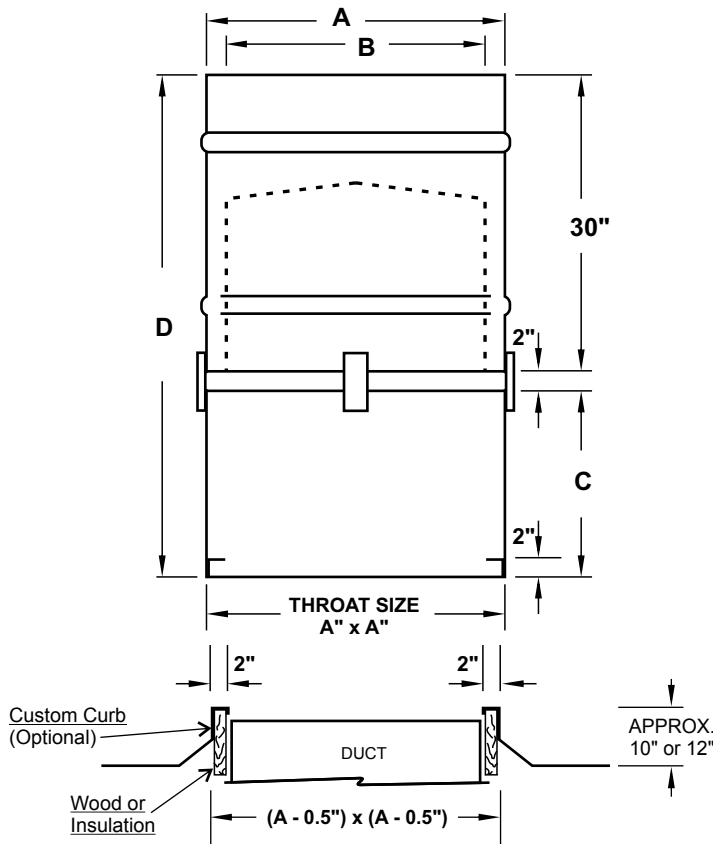
OPTIONAL ACCESSORIES

- Two speed motor
- Special coatings
- Variable pitch pulleys
- Static free belts



UBA / UBS Series

Up Blast Belt Driven Roof Exhaust Fan



DIMENSION

Model	A	B	C	D
UB-24	30"	25"	22"	52"
UB-30	36"	31"	22"	52"
UB-36	42"	37"	22"	52"
UB-42	49"	43"	25"	55"
UB-48	55"	49"	25"	55"
UB-54	60"	55"	25"	55"
UB-60	68"	61"	25"	55"

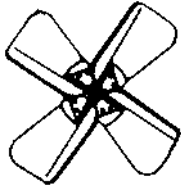
Bearings	Grease	Symbols	Operating Temperature Range
Standard	Alvania No. 3 (Lithium Base)	D1	-15° to +100°C (+5 to 212°F)
Heat-resistant	Shell Darina No.2 (Non-soap)	HT1D1	Normal Temp. to +140°C (284°F)
Heat-resistant	Toray Silicone SH44M (Silicone Oil)	HT2D1	Normal Temp. to +200°C (392°F)
Cold-resistant	Toray Silicone SH33L (Silicone Oil)	CT1D1	-60°C (-75°F) to Normal Temp.

		FAN DATA				FAN MOTOR					
FAN NO.	QTY	MODEL NO.	CFM	SP	RPM	HP	RPM	VOLTS	PH	HZ	ENCLOSURE

Contractor:		Roof Exhaust Fan		
Architect:	Job:	Date	Supersedes	Drawing No.
Engineer:	Date Submitted:			

Reversomatic Manufacturing Ltd.

790 Rowntree Dairy Road, Woodbridge, ON Canada L4L 5V3 • Tel: 905-851-6701 • Fax: 905-851-8376
 Toll Free: 1.800.810.3473 (Canada) • 1.866.890.6457 (U.S.A.)
www.reversomatic.com • info@reversomatic.com



“S” BLADE
Standard blade
 Std. Blade Thickness - 18 GA
 Std. Hub Thickness - 10 GA

UBS SERIES
TYPE “S”
PROPELLER

PERFORMANCE DATA

CUBIC FEET PER MINUTE AND HORSEPOWER REQUIREMENTS

CATALOG NUMBER	FAN RPM	FREE AIR		1/8		1/4		3/8		1/2		5/8		3/4		7/8		1		1-1/4		1-1/2	
		CFM	BHP	CFM	BHP	CFM	BHP	CFM	BHP	CFM	BHP	CFM	BHP	CFM	BHP	CFM	BHP	CFM	BHP	CFM	BHP	CFM	BHP
UBS 24	1530	9,077	1.50	8,770	1.55	8,464	1.61	8,072	1.67	7,581	1.75	7,033	1.82	6,328	1.88	5,598	1.94	4,660	1.99	3,704	2.18	2,859	2.41
	1335	7,920	0.99	7,569	1.04	7,175	1.09	6,643	1.16	6,015	1.22	5,160	1.27	4,147	1.32	3,489	1.38	3,045	1.49	2,199	1.68	1,549	1.86
	1215	7,208	0.75	6,822	0.79	6,355	0.84	5,691	0.90	4,827	0.95	3,745	0.99	3,082	1.06	2,572	1.15	2,108	1.24	1,398	1.40	768	1.58
	1140	6,763	0.62	6,352	0.66	5,811	0.71	5,057	0.77	4,021	0.81	3,035	0.85	2,506	0.94	1,995	1.02	1,601	1.10	901	1.26	357	1.41
	927	5,499	0.33	4,958	0.37	4,091	0.41	2,742	0.44	2,015	0.51	1,439	0.57	978	0.63	580	0.70	271	0.76				
	840	4,983	0.25	4,361	0.28	3,221	0.32	2,043	0.36	1,362	0.42	850	0.48	432	0.54	104	0.59						
UBS 30	1040	11,939	1.51	11,273	1.66	10,596	1.79	9,675	1.92	8,770	1.96	7,364	2.13	6,506	2.17	5,346	2.29	4,693	2.45	3,500	2.79	2,417	3.14
	905	10,389	0.99	9,630	1.12	8,707	1.24	7,664	1.29	6,212	1.41	4,878	1.46	4,127	1.61	3,428	1.76	2,760	1.90	1,578	2.21	625	2.52
	860	9,873	0.85	9,076	0.97	8,058	1.08	6,940	1.12	5,530	1.23	4,252	1.32	3,483	1.46	2,780	1.60	2,122	1.75	971	2.04	69	2.33
	720	8,265	0.50	7,281	0.60	5,955	0.65	4,178	0.73	3,093	0.83	2,249	0.95	1,495	1.07	818	1.20	279	1.32				
	625	7,175	0.33	5,943	0.41	4,168	0.47	2,700	0.54	1,728	0.65	894	0.75	260	0.86								
	570	6,543	0.25	5,140	0.32	3,025	0.37	1,922	0.46	963	0.56	230	0.65										
UBS 36	890	17,156	2.12	16,245	2.26	15,239	2.36	14,177	2.47	12,742	2.58	11,025	2.66	8,697	2.76	7,107	2.83	6,082	2.98	4,174	3.36	2,847	3.76
	810	15,614	1.60	14,613	1.72	13,469	1.80	12,129	1.92	10,328	2.00	7,779	2.09	6,317	2.14	5,154	2.30	4,077	2.48	2,547	2.85	1,183	3.23
	705	13,590	1.06	12,413	1.16	11,073	1.24	9,061	1.32	6,093	1.39	4,847	1.48	3,628	1.63	2,699	1.79	1,865	1.95	332	2.28		
	640	12,337	1.79	11,009	0.87	9,310	0.96	6,842	1.01	4,598	1.09	3,213	1.23	2,237	1.37	1,349	1.52	505	1.67				
	560	10,795	0.53	9,238	0.60	6,880	0.66	4,140	0.72	2,583	0.48	1,529	0.97	563	1.10								
	490	9,446	0.53	7,612	0.24	4,064	0.47	2,336	0.56	1,147	0.67	44	0.97										
UBS 42	854	24,878	3.97	23,701	4.23	22,525	4.50	21,454	4.63	20,237	4.63	18,260	4.63	16,208	4.70	13,292	4.99	11,308	4.99				
	770	22,670	3.00	21,379	3.24	20,088	3.48	19,008	3.50	16,974	3.50	14,723	3.57	11,465	3.77	9,660	3.77	8,175	4.12	5,938	4.82		
	670	19,726	1.98	18,242	2.19	16,871	2.31	14,842	2.31	12,170	2.43	9,028	2.49	7,208	2.69	5,668	3.02	4,791	3.29	3,185	3.73	1,734	4.15
	530	15,604	0.98	13,734	1.14	11,347	1.14	7,479	1.23	5,188	1.40	3,797	1.63	2,765	1.81	1,832	1.97	928	2.14				
	485	14,279	0.75	12,294	0.88	9,206	0.90	5,547	0.99	3,701	1.21	2,556	1.38	1,540	1.53	552	1.68						
	425	12,512	0.50	10,224	0.59	5,765	0.63	3,342	0.80	2,048	0.95	907	1.08										
UBS 48	700	31,865	3.96	30,137	4.32	28,349	4.57	26,393	4.75	23,759	4.96	21,172	5.03	18,275	5.10	13,310	5.31	11,274	5.68	8,253	6.18	5,823	7.01
	635	28,906	2.96	27,001	3.28	25,001	3.47	22,399	3.65	19,532	3.75	16,160	3.82	11,536	4.05	9,512	4.34	7,893	4.56	5,160	5.26	3,149	5.95
	555	25,264	1.98	23,071	2.24	20,554	2.39	17,253	2.50	12,744	2.57	9,013	2.82	7,125	3.02	5,429	3.31	4,107	3.60	1,850	4.21		
	440	20,029	0.98	17,208	1.16	13,207	1.25	7,607	1.37	5,069	1.54	3,296	1.79	1,836	2.04	570	2.24						
	400	18,208	0.74	14,988	0.98	10,010	0.96	5,458	1.11	3,201	1.32	1,604	1.54	222	1.72								
	350	15,932	0.50	11,879	0.62	5,637	0.71	2,912	0.88	1,130	1.06												
UBS 54	520	34,260	3.95	31,738	4.16	28,796	4.33	24,626	4.53	18,622	4.58	15,263	4.63	13,084	4.99	10,906	5.35	9,106	5.73	5,785	6.49	3,098	7.35
	475	31,296	3.01	28,476	3.17	24,759	3.34	19,435	3.49	14,433	3.49	11,967	3.80	9,582	4.13	7,728	4.48	5,910	4.82	2,841	5.60	1,123	6.57
	415	27,342	2.01	24,035	2.12	19,237	2.32	12,847	2.33	9,955	2.59	7,466	2.88	5,385	3.19	3,305	3.49	2,122	3.89	155	4.73		
	330	21,742	1.01	16,945	1.12	9,733	1.18	6,360	1.41	3,743	1.65	1,760	1.94	523	2.27								
	300	19,766	0.76	14,098	0.87	7,537	0.96	4,283	1.17	1,780	1.41	419	1.72										
	260	17,130	0.49	9,311	0.57	4,553	0.72	1,549	0.92														
UBS 60	495	47,591	6.02	44,725	6.32	41,302	6.64	36,821	6.98	30,474	7.06	24,401	7.17	20,665	7.32	17,637	7.74	14,815	8.24				
	465	44,706	4.99	41,656	5.28	37,908	5.57	32,855	5.79	24,794	6.03	20,579	6.02	17,101	6.33	14,096	6.80	11,477	7.35				
	415	39,899	3.55	36,350	3.80	31,572	4.08	23,074	4.32	18,289	4.28	14,518	4.59	11,288	5.03	8,479	5.55	6,484	6.08	3,401	7.16		
	390	37,496	2.94	33,632	3.19	28,202	3.42	19,786	3.53	15,133	3.65	11,551	4.04	8,512	4.52	6,230	5.02	4,482	5.52	1,387	6.54		
	340	32,688	1.95	28,077	2.16	18,989	2.38	13,357	2.40	9,342	2.76	6,203	3.18	4,050	3.26	2,275	4.07	500	4.51				
	270	25,959	0.98	19,174	1.13	10,048	1.23	5,390	1.54	2,733	1.89	498	2.24										

CONTRACTOR		UBS SERIES FAN DETAIL		
ARCHITECT	JOB	DATE	SUPERSEDES	DRAWING NO.
ENGINEER	DATE SUBMITTED	REVERSOMATIC Heating & Mfg. Ltd Toronto, Ontario		

REVERSOMATIC

FRESH AIR UNITS

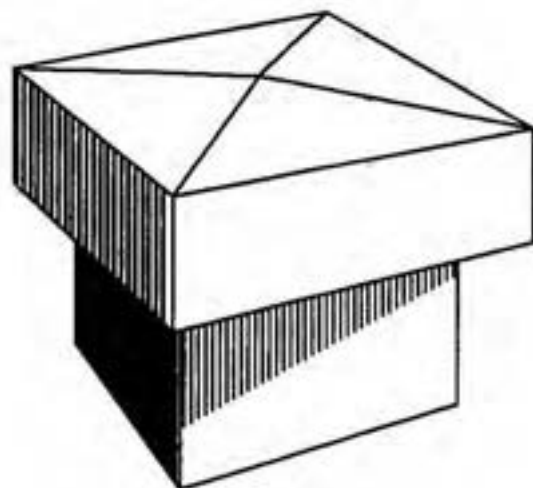


Made in Canada

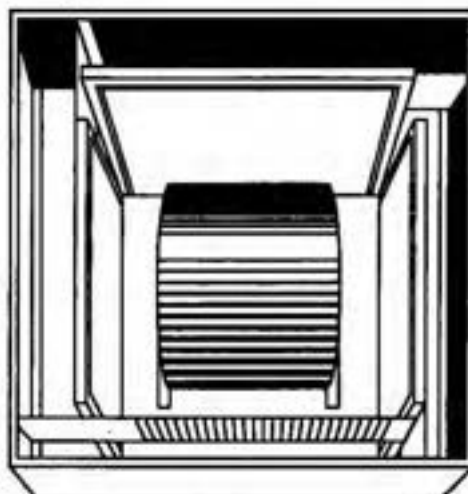
Keep Canada Growing

DESIGNED FOR HIGH RISE APARTMENTS,
INSTITUTIONAL AND MOST COMMERCIAL-
INDUSTRIAL APPLICATIONS.

FA 9, FA 10
FA 12, FA 15, FA 18



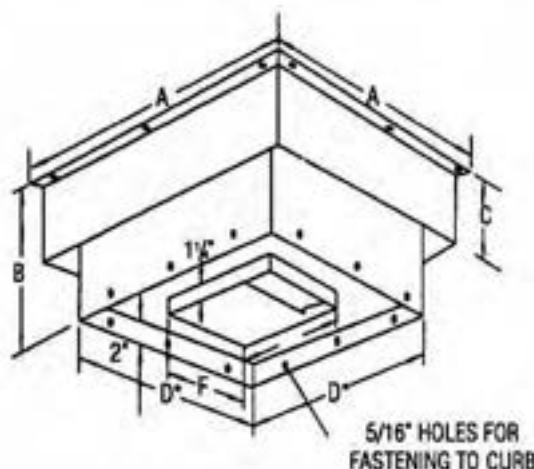
Side View



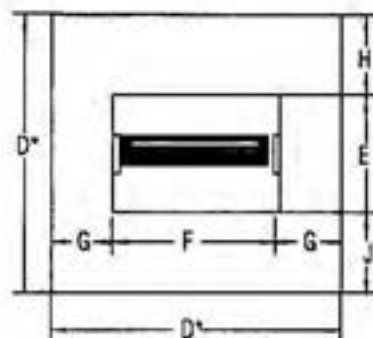
Top View

A Practical Fan that Moves Fresh Air Efficiently Available in Five Blower Sizes

- Equipped with belt driven centrifugal blowers.
- Blowers equipped with resilient mount and with ball bearings.
- Galvanized construction, paint finish optional.
- Back-draft damper and bird screen included.
- Uses standard size filters
- Recessed bottom for easy installation to curb
- Insulated top.
- Heating and cooling coils could be adapted
- Top cover easily opens to allow access for servicing.
- Unit uses standard shelf motors.



5/16" HOLES FOR
FASTENING TO CURB



BOTTOM VIEW

Model	Dimensions										FILTERS
	A	B	C	D*	E	F	G	H	J		
FA 9	32.38	26.12	10.25	24.35	10.25	11.81	6.28	7.06	7.06	4-10x20	
FA 10	38.50	30.00	12.25	28.38	11.38	13.12	7.62	8.50	8.50	4-12x24	
FA 12	42.62	33.12	16.50	32.38	13.44	15.62	8.38	9.47	9.47	4-16x25	
FA 15	42.62	33.12	16.50	32.38	15.88	18.62	6.88	10.25	6.25	4-16x25	
FA 18	45.31	40.25	20.75	36.38	18.88	21.88	7.25	11.00	6.50	4-20x28.50	

* Curb size to be smaller than inside cabinet size to allow for flashing and roofing.

REVISED JUNE 1999

Reversomatic Manufacturing Ltd.

790 ROWNTREE DAIRY ROAD • WOODBRIDGE, ONTARIO, CANADA L4L 5V3 • PHONE: 905-851-6701 FAX: (905) 851-8376

FRESH AIR UNITS

PERFORMANCE DATA

FA9 TO FA18

Capacity Model	CFM	FPM Outlet Velocity	0" SP		1/8" SP		1/4" SP		3/8" SP		1/2" SP		5/8" SP		3/4" SP		1" SP		1 1/2" SP		
			RPM	HP	RPM	HP	RPM	HP	RPM	HP	RPM	HP	RPM	HP	RPM	HP	RPM	HP	RPM	HP	RPM
FA 9 Tip Speed (FPM) 2.49 x RPM Std. Drive Range 580-790 RPM Max. HP 1/2 HP	500	598	241	.008	442	.023	599	.041	730	.063	841	.085	939	.109	1026	.133	1180	.185	1434	.296	
	600	717	290	.014	464	.031	608	.051	733	.074	844	.100	942	.126	1031	.154	1186	.211	1445	.334	
	700	837	338	.022	493	.041	624	.063	742	.088	848	.116	944	.145	1033	.175	1190	.239	1451	.374	
	800	956	387	.033	526	.055	645	.078	754	.104	855	.134	949	.165	1035	.198	1193	.268	1458	.415	
	1000	1196	483	.065	600	.092	701	.119	795	.145	884	.180	968	.215	1049	.252	1199	.330	1461	.500	
	1200	1435	580	.113	680	.146	768	.177	851	.210	929	.244	1005	.282	1078	.321	1217	.406			
	1400	1674	677	.179	765	.219	843	.255	918	.291	987	.328	1055	.370	1121	.412	1247	.502			
1600	1913	774	.268	852	.313	922	.355	989	.396	1052	.438	1114	.482	1174							
FA 10 Tip Speed (FPM) 2.78 x RPM Std. Drive Range 500-700 RPM Max. HP 3/4 HP	800	764	254	.020	397	.040	517	.063	624	.090	721	.120	807	.151	887	.185	1027	.255	1257	.407	
	1000	980	318	.039	437	.063	540	.090	634	.119	723	.152	806	.167	882	.225	1021	.303	1258	.475	
	1200	1176	381	.067	485	.096	574	.126	657	.159	737	.194	812	.232	885	.273	1018	.369	1253	.549	
	1400	1372	445	.106	536	.139	618	.174	690	.210	761	.249	830	.290	898	.333	1022	.425	1248	.629	
	1600	1568	509	.159	589	.196	662	.235	729	.275	794	.317	857	.361	917	.407	1033	.505	1248	.721	
	1800	1764	572	.226	645	.268	711	.311	773	.368	833	.402	890	.449	945	.498	1053	.602			
	2000	1960	636	.310	702	.357	763	.404	820	.453	875	.503	928	.554	980	.607	1080	.716			
2200	2156	699	.413	760	.464	817	.515	870	.569	921	.623	971	.678	1019	.735						
2400	2352	763	.536	819	.592	871	.648	922	.706	970	.784	1016									
FA 12 Tip Speed (FPM) 3.31 x RPM Std. Drive Range 450-600 RPM Max. HP 3/4 HP	1600	1111	323	.085	412	.121	492	.162	569	.209	641	.261	708	.315	771	.372	885	.492	1077	.745	
	1800	1250	363	.121	443	.161	517	.208	587	.255	653	.310	717	.368	778	.428	889	.557			
	2000	1383	404	.166	475	.210	544	.258	606	.310	670	.367	730	.429	787	.493	895	.629			
	2200	1527	444	.221	511	.269	573	.320	632	.376	690	.435	746	.500	800	.567	903	.710			
	2400	1686	484	.287	546	.339	604	.394	659	.453	713	.516	766	.582	816	.652	914				
	2600	1805	525	.365	582	.421	636	.480	688	.542	738	.606	787	.677	836	.750	925				
	2800	1944	569	.456	619	.516	669	.587	718	.644	765	.713	811	.785							
3000	2083	606	.561	656	.604	703	.691	749	.761	794											
3200	2222	646	.680	693	.748																
FA 15 Tip Speed (FPM) 3.93 x RPM Std. Drive Range 400-550 RPM Max. HP 3 HP	3000	1492	405	.328	460	.403	510	.470	558	.541	605	.617	651	.700	698	.791	782	.988	940	1.432	
	3200	1592	432	.397	484	.479	531	.551	577	.626	621	.703	664	.788	707	.879	791	1.080	944	1.535	
	3400	1691	459	.477	509	.564	553	.641	598	.718	638	.800	680	.896	721	.979	800	1.182	950	1.647	
	3600	1791	486	.556	533	.659	576	.742	617	.823	657	.907	696	.995	735	1.080	811	1.295	956	1.787	
	3800	1890	513	.666	558	.765	599	.853	638	.938	676	1.026	714	1.116	751	1.213	824	1.421	963	1.900	
	4000	1990	540	.776	583	.882	622	.976	660	1.065	696	1.156	732	1.250	767	1.348	837	1.580	972	2.043	
	4200	2089	567	.899	608	1.011	646	1.109	682	1.204	717	1.288	751	1.395	785	1.498	852	1.712	982	2.201	
4400	2189	594	1.033	634	1.151	670	1.256	705	1.355	738	1.454	771	1.554	804	1.658	868	1.878	993	2.372		
4600	2288	621	1.181	659	1.305	694	1.416	728	1.520	760	1.623	792	1.727	823	1.833	885	2.056	1005	2.559		
4800	2388	648	1.342	686	1.472	716	1.588	751	1.696	782	1.808	813	1.913	843	2.024	902	2.253	1019	2.780		
5000	2487	675	1.516	710	1.653	743	1.775	774	1.890	805	2.003	834	2.115	863	2.228	921	2.463	1033	2.978		
FA 18 Tip Speed (FPM) 4.75 x RPM Max. HP 3 HP	3000	1045	259	.177	324	.256	382	.340	434	.428	483	.521	527	.620	570	.723	647	.943	779	1.418	
	3500	1219	302	.262	359	.373	410	.468	458	.557	503	.670	545	.778	585	.891	659	1.128	788	1.645	
	4000	1393	345	.421	395	.524	442	.632	486	.742	527	.858	566	.974	604	1.096	674	1.351	799	1.905	
	4500	1567	389	.599	433	.715	476	.835	516	.957	554	1.082	591	1.211	626	1.342	693	1.617	813	2.207	
	5000	1742	432	.822	472	.949	511	1.082	546	1.217	584	1.354	618	1.493	651	1.636	714	1.930	829	2.557	
	5500	1916	475	1.094	512	1.233	547	1.378	582	1.528	615	1.675	647	1.826	678	1.980	735	2.295	845	2.980	
	6000	2090	518	1.420	552	1.571	585	1.729	617	1.880	648	2.051	678	2.214	708	2.379	764	2.717	869	3.422	
6500	2264	562	1.805	593	1.968	623	2.138	653	2.311	682	2.485	711	2.661	738	2.839	792	3.199				
7000	2439	605	2.255	634	2.430	662	2.612	690	2.797	718	2.984	744	3.172	771	3.362						
7500	2613	648	2.773	675	2.959	702	3.155	728	3.352												

Tested in accordance with AMCA standard 210.

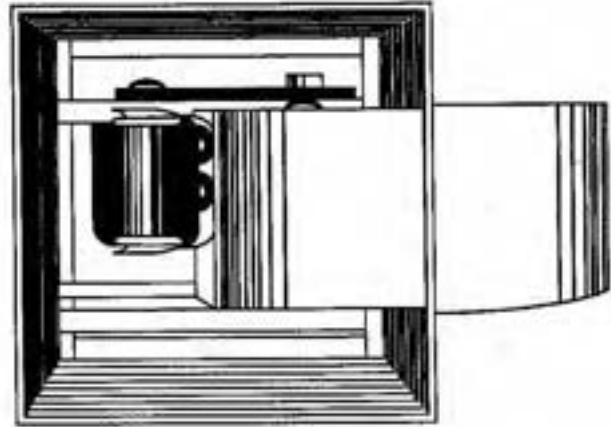
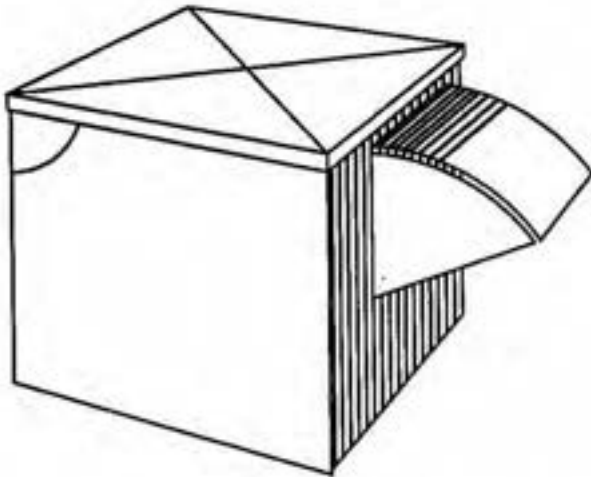
H.P. does not include belt drive losses.

CONTRACTOR		FRESH AIR UNITS		
ARCHITECT	JOB	DATE	SUPERSEDES	DRAWING NO.
ENGINEER	DATE SUBMITTED	REVERSOMATIC MANUFACTURING LTD. Toronto, Ontario		

ROOF EXHAUSTERS (ALL CANADIAN)

Designed for high rise apartments, institutional
an most commercial-industrial applications

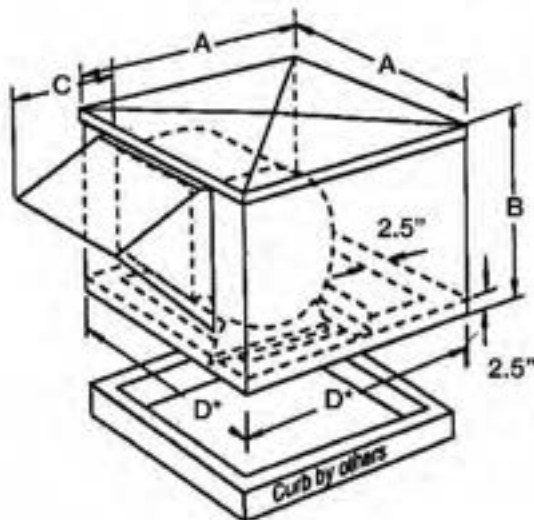
RE7, RE9, RE10,
RE12, RE15, RE18



- Equipped with belt driven centrifugall blowers
- Blowers equipped with resilient mount and with ball bearings
- Galvanized construction, paint finish optional
- Back-draft damper and bird screen included
- Recessed bottom for easy installation to curb

- Insulated cabinet
- Top cover easily opens to allow access for servicing
- Unit uses standard shell motors
- Not recommended for exhausting air that contains inflammable substances or grease

A PRACTICAL FAN THAT EXHAUSTS AIR EFFICIENTLY AVAILABLE IN SIX BLOWER SIZES



DIMENSION DATA IN INCHES

Model	A	B	C	D*
RE7	20.38	16.62	9.00	20.00
RE9	24.38	19.38	10.62	24.00
RE10	28.38	21.38	11.38	28.00
RE12	32.28	24.62	13.12	32.00
RE15	36.38	28.38	14.88	36.00
RE18	40.38	33.75	17.38	40.00

*Curb size to be smaller than inside size to allow for flasing and roofing

Reversomatic Manufacturing Ltd.

790 ROWNTREE DAIRY ROAD • WOODBRIDGE, ONTARIO, CANADA L4L 5V3 • PHONE (905) 851-6701 • FAX (905) 851-8376

www.reversomatic.com • EMAIL info@reversomatic.com

ROOF EXHAUSTERS

PERFORMANCE DATA

CAPACITY MODEL	CFM	OUTLET VEL. FPM	1/8" SP		1/4" SP		3/8" SP		1/2" SP		5/8" SP		3/4" SP		1" SP	
			RPM	HPA	RPM	HPA	RPM	HPA	RPM	HPA	RPM	HPA	RPM	HPA	RPM	HPA
RE7	100	129	429	.017	597	.045	728	.080	837	.122	930	.166	1023	.220	-	-
Tip Speed	200	259	452	.022	620	.053	749	.092	861	.137	957	.186	1042	.239	-	-
FPM	300	399	487	.030	645	.064	771	.106	879	.153	977	.207	1063	.284	-	-
RPM x 2.49	400	518	538	.043	679	.080	799	.125	904	.176	999	.232	1086	.293	-	-
Max 1/3 HP	500	648	593	.061	724	.102	836	.151	937	.205	1027	.263	1112	.327	-	-
Std. Drive Range	600	778	656	.085	778	.131	881	.183	976	.241	1063	.304	-	-	-	-
820-1120 RPM																
RE9	200	239	500	.04	647	.07	742	.09	840	.10	927	.12	1040	.12	-	-
Tip Speed	300	358	509	.05	660	.09	750	.10	858	.11	951	.13	1060	.15	-	-
FPM	400	478	545	.07	670	.10	753	.11	869	.12	965	.14	1070	.16	-	-
RPM x 2.49	600	718	626	.11	715	.12	788	.13	880	.15	975	.16	1080	.19	-	-
Max 1/2 HP	800	957	700	.14	778	.16	863	.18	939	.20	1010	.22	1095	.26	-	-
Std. Drive Range	1000	1196	784	.19	865	.20	941	.24	1010	.26	1080	.30	1160	.25	-	-
580 - 790 RPM	1200	1435	892	.25	972	.26	1035	.32	1110	.37	1200	.43	1245	.48	-	-
RE10	600	591	430	.04	556	.08	650	.11	749	.15	828	.17	910	.19	1030	.25
Tip Speed	800	788	487	.07	598	.11	679	.17	760	.19	837	.20	915		1040	.30
FPM	1000	985	568	.12	652	.16	723	.20	796	.22	865	.24	930	.29	1045	.38
RPM x 2.78	1200	1182	638	.19	711	.23	779	.24	845	.29	907	.31	969	.36	1060	.41
Max 3/4 HP	1400	1379	705	.25	778	.27	848	.32	900	.36	959	.40	987	.42	1095	.52
Std. Drive Range	1600	1578	796	.31	850	.37	907	.41	940	.43	985	.47	1042	.53	1140	.63
500 - 690 RPM	1800	1773	863	.44	926	.50	950	.52	1005	.55	1055	.61	1107	.68	1192	.79
	2000	1970	960	.62	980	.80	1035	.68	1075	.72	1125	.77	-	-	-	-
RE12	1000	694	350	.06	449	.10	545	.14	619	.22	694	.23	754	.25	880	.36
Tip Speed	1200	833	381	.08	475	.13	558	.18	621	.24	696	.26	758	.31	882	.41
FPM	1400	972	418	.12	504	.16	572	.21	637	.27	700	.30	759	.35	882	.47
RPM x 3.31	1600	1111	452	.19	535	.22	600	.27	655	.32	718	.35	768	.40	882	.52
Max 3/4 HP	1800	1250	494	.21	565	.28	628	.34	679	.41	737	.43	781	.46	885	.58
Std. Drive Range	2000	1389	532	.28	600	.33	659	.38	708	.44	760	.48	805	.54	895	.64
450 - 610 RPM	2200	1528	571	.36	638	.44	690	.47	741	.54	789	.58	823	.63	912	.73
	2400	1667	618	.46	670	.53	723	.57	768	.64	812	.67	844	.73	-	-
RE15	2200	1095	382	.22	444	.29	495	.36	545	.44	591	.48	638	.56	736	.68
Tip Speed	2600	1294	429	.32	482	.40	528	.48	572	.53	611	.61	648	.58	742	.81
FPM	3000	1493	473	.46	519	.55	559	.60	600	.78	640	.78	690	.85	761	1.01
RPM x 3.92	3400	1692	515	.60	560	.69	600	.80	640	.91	686	.98	716	1.05	784	1.25
Max 3 HP	3800	1891	572	.83	604	.93	638	1.02	681	1.10	719	1.21	750	1.26	810	1.52
Std. Drive Range	4200	2090	610	1.06	643	1.15	690	1.30	721	1.41	753	1.48	787	1.66	845	1.86
480 - 550 RPM	4600	2288	665	1.39	700	1.51	730	1.60	762	1.72	800	1.86	825	1.54	885	2.25
	5000	2488	710	1.80	753	1.97	776	1.98	807	2.07	840	2.24	870	2.36	920	2.62
	5400	2687	760	2.20	807	2.36	828	2.45	848	2.50	880	2.65	905	2.77	-	-
	5600	2787	785	2.40	837	2.60	850	2.64	874	2.76	901	2.90	-	-	-	-
RE18	4000	1396	400	.56	454	.69	492	.80	530	.92	572	1.01	605	1.14	670	1.32
Tip Speed	4400	1526	434	.74	482	.84	518	.97	555	1.06	591	1.22	622	1.32	688	1.59
FPM	4800	1675	480	.94	510	1.05	542	1.17	572	1.31	615	1.50	645	1.58	702	1.82
RPM x 4.75	5200	1815	505	1.19	538	1.27	570	1.41	600	1.60	640	1.76	675	1.95	724	2.11
Max 5 HP	5600	1955	530	1.40	561	1.56	594	1.72	626	1.86	670	2.05	700	2.35	742	2.50
Std. Drive Range	6000	2094	564	1.77	592	1.90	625	2.08	655	2.28	700	2.40	732	2.62	762	2.80
	6400	2234	595	2.12	618	2.20	652	2.43	690	2.53	730	2.80	753	3.00	782	3.20
	6800	2373	625	2.58	650	2.60	680	2.78	712	3.00	760	3.28	782	3.45	810	3.65
	7200	2513	670	3.00	700	3.05	720	3.21	740	3.45	790	3.75	810	4.10	835	4.05
	7600	2653	708	3.44	732	3.5	748	3.75	770	3.95	820	4.10	845	4.45	860	4.51
	8000	2792	732	3.90	760	3.95	782	4.15	810	4.40	848	4.70	870	4.95	892	5.04

Tested in accordance with AMCA standard 210

H.P. includes belt drive losses

CONTRACTOR		ROOF EXHAUSTERS		
ARCHITECT	JOB	DATE	SUPERSEDES	DRAWING NO.
ENGINEER	DATE SUBMITTED	REVERSOMATIC Manufacturing Ltd. Toronto, Ontario		

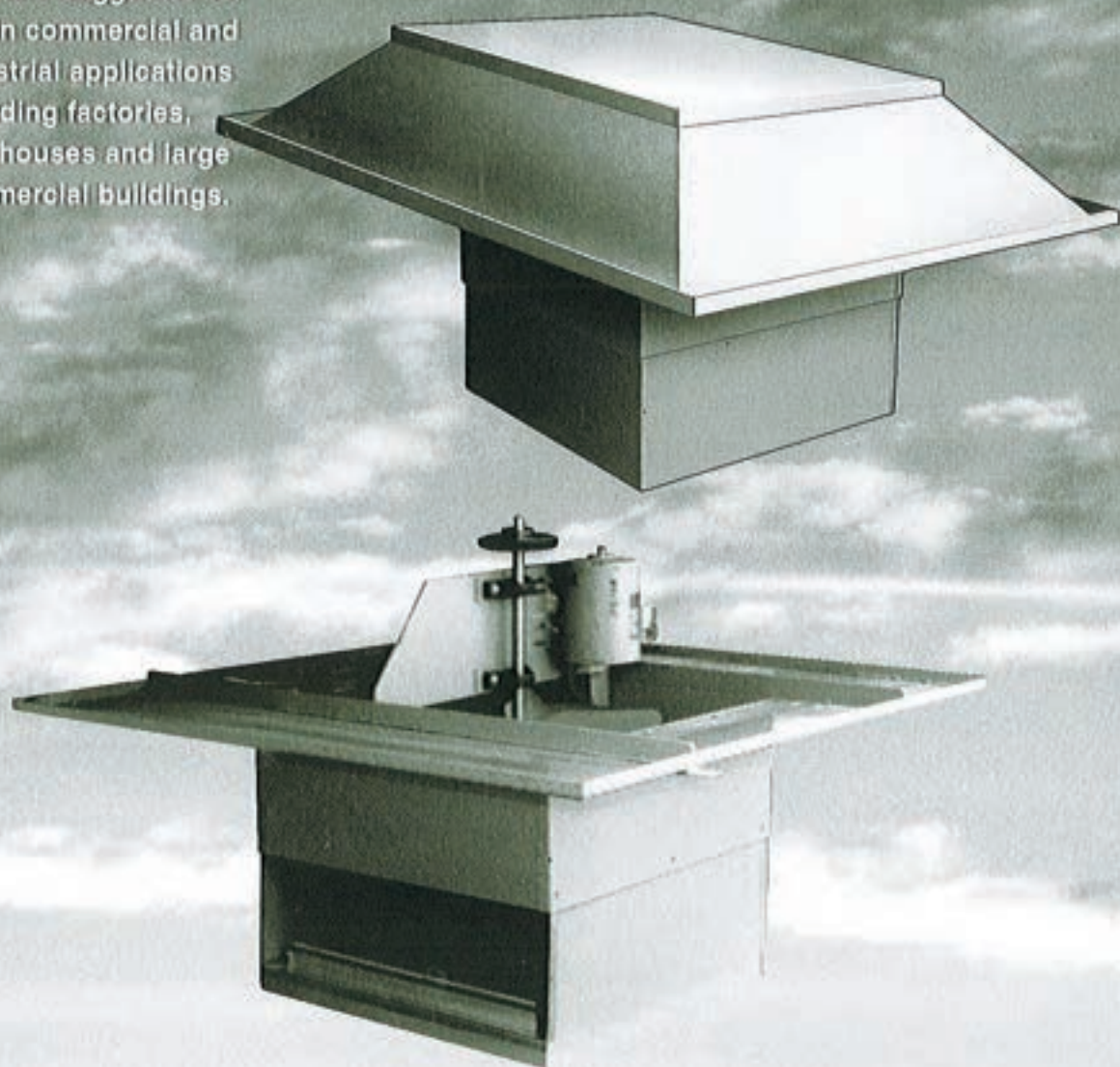
**R
E
V
E
R
S
O
M
A
T
I
C**

Application

General ventilation power roof ventilators designed to move large volumes of air quietly, efficiently and dependably.

They are suggested for use in commercial and industrial applications including factories, warehouses and large commercial buildings.

ROOF TOP HOODED EXHAUST OR SUPPLY PROPELLER FAN



Reversomatic Mfg. Ltd.

790 ROWNTREE DAIRY ROAD • WOODBRIDGE, ONTARIO, CANADA L4L 5V3 • PHONE (905) 851-6701 • FAX (905) 851-8376

HOOD EXHAUST OR SUPPLY PROPELLER FAN



FEATURES

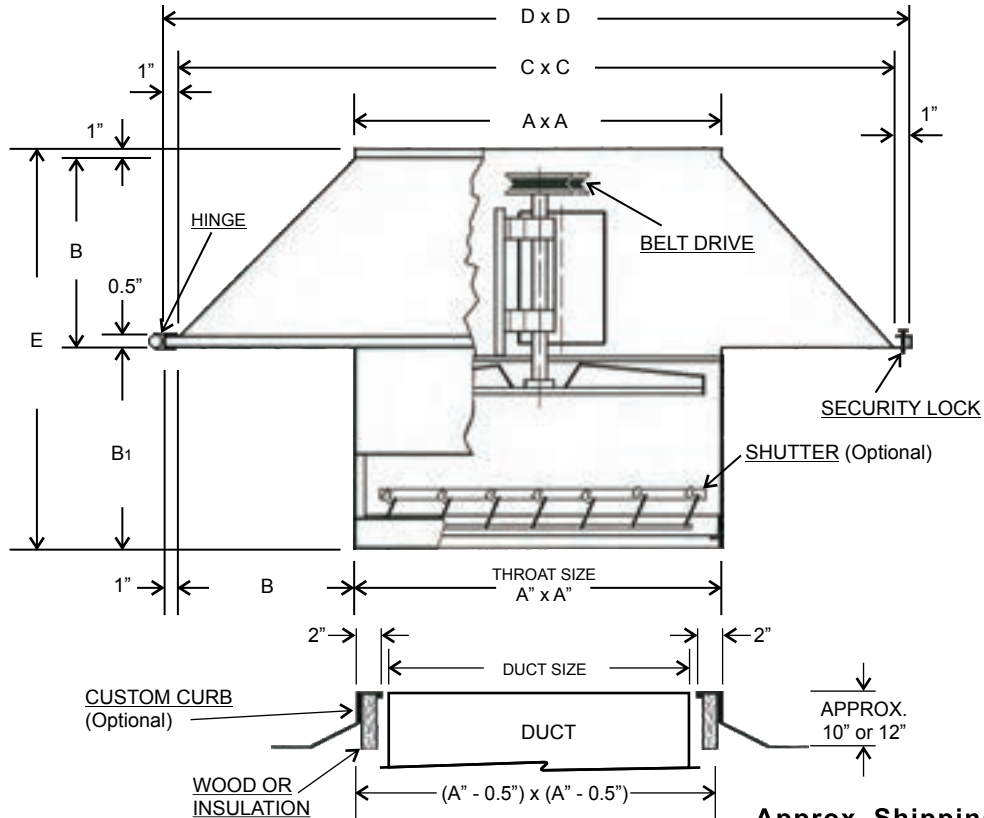
- The frame features a Venturi orifice
- Sturdy welded construction appropriate for Industrial, Commercial and Agricultural applications
- Fan panels are heavy gauge steel with die formed edges
- All welded structural steel provides durable support for fan motors, bearings, shafts and drives. This support structure features an unique design which properly spaces the blade from the structure, eliminating vibration and reducing excess noise
- Shafts rotate in permanently lubricated heavy duty ball bearing pillow blocks. Bearings are selected for a minimum average life of 200,000 hours at maximum catalogued operating speeds
- The propeller blades are made of heavy gauge steel and are statically balanced
- Belt drive engineered to 50% overload
- Non overloading characteristics
- Motor mounting plates are adjustable to obtain proper belt tension
- Motors are heavy duty ball bearing type carefully matched to the fan load
- Cabinet constructed of heavy duty 18 GA galvanized metal or satin coat with enamel finish
- Shutter blades are made of heavy gauge extruded brush aluminum then stripped with neoprene gasket to ensure an airtight seal
- Galvanized metal bird screen

OPTIONAL ACCESSORIES

- Two speed motors
- **Special anticorrosive coatings**
- Variable pitch pulleys
- Static free belts
- Shutter
- Motorized damper
- Washable aluminum filters for RHS (Supply Fan)

Consult the factory or your representative for information on special applications and larger sizes. Order by Catalogue Number and state voltage required.

HOOD EXHAUST OR SUPPLY PROPELLER FAN



Approx. Shipping Weight (lbs.)- Less Motor

DIMENSION

MODEL	DUCT SIZE	A"	B"	B1"	C"	D"	E"
RHEA/RHSA 24 RHES/RHSS 24	24 x 24	30 x 30	8.5	8.5	47	49	18
RHEA/RHSA 30 RHES/RHSS 30	30 x 30	36 x 36	10.5	10.5	57	59	22
RHEA/RHSA 36 RHES/RHSS 36	36 x 36	42 x 42	12	12	66	68	25
RHEA/RHSA 42 RHES/RHSS 42	42 x 42	49 x 49	14.5	14.5	78	80	30
RHEA/RHSA 48 RHES/RHSS 48	48 x 48	55 x 55	16	16	87	89	33
RHEA/RHSA 54 RHES/RHSS 54	54 x 54	60 x 60	17.5	17.5	95	97	36
RHEA/RHSA 60 RHES/RHSS 60	60 x 60	68 x 68	20	20	108	110	41

MODEL	RHEA / RHES	RHSA / RHSS
24"	175	180
30"	218	220
36"	262	265
42"	306	310
48"	350	355
54"	390	395
60"	437	440

* Add 6" for Gravity Shutter (Exhaust) or 9" for Motorized Shutter (Intake) in B1 dimension

NOTE: RHEA / RHSA - "A" Blade
RHES / RHSS - "S" Blade

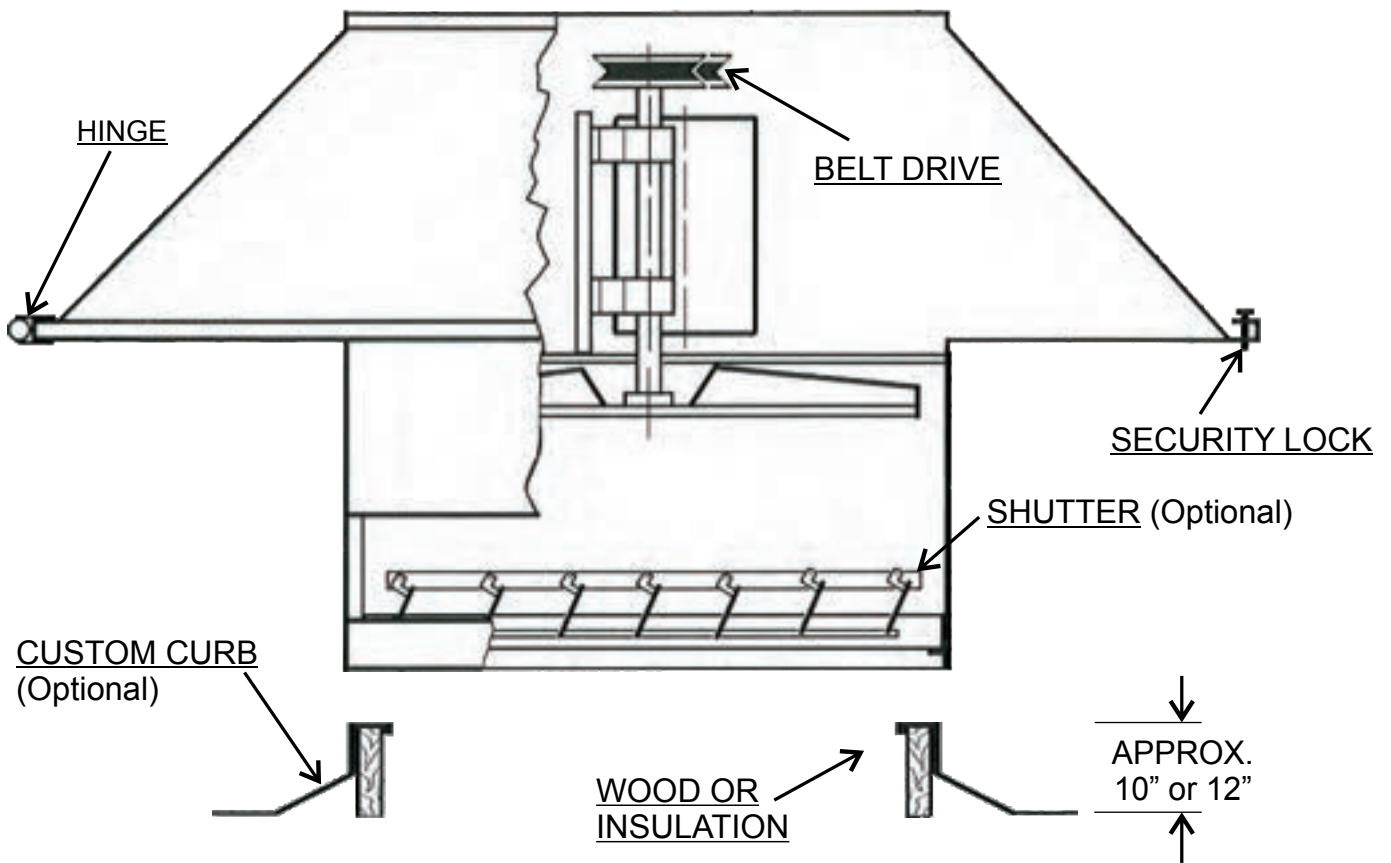
Bearings	Grease	Symbols	Operating Temperature Range
Standard	Alvania No. 3 (Lithium Base)	D1	-15° to + 100°C (+5 to 212°F)
Heat-resistant	Shell Darina No.2 (Non-soap)	HT1D1	Normal Temp. to +140°C (284°F)
Heat-resistant	Toray Silicone SH44M (Silicone Oil)	HT2D1	Normal Temp. to +200°C (392°F)
Cold-resistant	Toray Silicone SH33L (Silicone Oil)	CT1D1	-60°C (-75°F) to Normal Temp.

Contractor:		<input type="checkbox"/> RHEA <input type="checkbox"/> RHES <input type="checkbox"/> RHSA <input type="checkbox"/> RHSS		
Architect:	Job:	Date	Supersedes	Drawing No.
Engineer:	Date Submitted:			

Reversomatic Manufacturing Ltd.

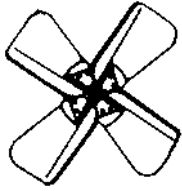
790 Rowntree Dairy Road, Woodbridge, ON, Canada L4L 5V3 • Tel: 905-851-6701 • Fax: 905-851-8376
www.reversomatic.com • info@reversomatic.com

HOOD EXHAUST OR SUPPLY PROPELLER FAN



		FAN DATA				FAN MOTOR					
FAN NO.	QTY.	MODEL NO.	CFM	SP	RPM	HP	RPM	VOLTS	PH	HZ	ENCLOSURE

Contractor:		<input type="checkbox"/> RHEA <input type="checkbox"/> RHES <input type="checkbox"/> RHSA <input type="checkbox"/> RHSS		
Architect:	Job:	Date	Supersedes	Drawing No.
Engineer:	Date Submitted:			



"S" BLADE
Standard blade

Std. Blade Thickness - 18 GA
Std. Hub Thickness - 10 GA

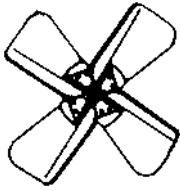
RHSS - HOODED SUPPLY FANS

PERFORMANCE DATA

CUBIC FEET PER MINUTE AND HORSEPOWER REQUIREMENTS

CATALOG NUMBER	FAN RPM	FREE AIR		1/8		1/4		3/8		1/2		5/8		3/4		7/8		1		1-1/4		1-1/2	
		CFM	BHP	CFM	BHP	CFM	BHP	CFM	BHP	CFM	BHP	CFM	BHP	CFM	BHP	CFM	BHP	CFM	BHP	CFM	BHP	CFM	BHP
RHSS 24	1530	9,077	1.50	8,770	1.55	8,464	1.61	8,072	1.67	7,581	1.75	7,033	1.82	6,328	1.88	5,598	1.94	4,660	1.99	3,704	2.18	2,859	2.41
	1335	7,920	0.99	7,569	1.04	7,175	1.09	6,643	1.16	6,015	1.22	5,160	1.27	4,147	1.32	3,489	1.38	3,045	1.49	2,199	1.68	1,549	1.86
	1215	7,208	0.75	6,822	0.79	6,355	0.84	5,691	0.90	4,827	0.95	3,745	0.99	3,082	1.06	2,572	1.15	2,108	1.24	1,398	1.40	768	1.58
	1140	6,763	0.62	6,352	0.66	5,811	0.71	5,057	0.77	4,021	0.81	3,035	0.85	2,506	0.94	1,995	1.02	1,601	1.10	901	1.26	357	1.41
	927	5,499	0.33	4,958	0.37	4,091	0.41	2,742	0.44	2,015	0.51	1,439	0.57	978	0.63	580	0.70	271	0.76				
	840	4,983	0.25	4,361	0.28	3,221	0.32	2,043	0.36	1,362	0.42	850	0.48	432	0.54	104	0.59						
RHSS 30	1040	11,939	1.51	11,273	1.66	10,596	1.79	9,675	1.92	8,770	1.96	7,364	2.13	6,506	2.17	5,346	2.29	4,693	2.45	3,500	2.79	2,417	3.14
	905	10,389	0.99	9,630	1.12	8,707	1.24	7,664	1.29	6,212	1.41	4,878	1.46	4,127	1.61	3,428	1.76	2,760	1.90	1,578	2.21	625	2.52
	860	9,873	0.85	9,076	0.97	8,058	1.08	6,940	1.12	5,530	1.23	4,252	1.32	3,483	1.46	2,780	1.60	2,122	1.75	971	2.04	69	2.33
	720	8,265	0.50	7,281	0.60	5,955	0.65	4,178	0.73	3,093	0.83	2,249	0.95	1,495	1.07	818	1.20	279	1.32				
	625	7,175	0.33	5,943	0.41	4,168	0.47	2,700	0.54	1,728	0.65	894	0.75	260	0.86								
	570	6,543	0.25	5,140	0.32	3,025	0.37	1,922	0.46	963	0.56	230	0.65										
RHSS 36	890	17,156	2.12	16,245	2.26	15,239	2.36	14,177	2.47	12,742	2.58	11,025	2.66	8,697	2.76	7,107	2.83	6,082	2.98	4,174	3.36	2,847	3.76
	810	15,614	1.60	14,613	1.72	13,469	1.80	12,129	1.92	10,328	2.00	7,779	2.09	6,317	2.14	5,154	2.30	4,077	2.48	2,547	2.85	1,183	3.23
	705	13,590	1.06	12,413	1.16	11,073	1.24	9,061	1.32	6,093	1.39	4,847	1.48	3,628	1.63	2,699	1.79	1,865	1.95	332	2.28		
	640	12,337	1.79	11,009	0.87	9,310	0.96	6,842	1.01	4,598	1.09	3,213	1.23	2,237	1.37	1,349	1.52	505	1.67				
	560	10,795	0.53	9,238	0.60	6,880	0.66	4,140	0.72	2,583	0.48	1,529	0.97	563	1.10								
	490	9,446	0.53	7,612	0.24	4,064	0.47	2,336	0.56	1,147	0.67	44	0.97										
RHSS 42	854	24,878	3.97	23,701	4.23	22,525	4.50	21,454	4.63	20,237	4.63	18,260	4.63	16,208	4.70	13,292	4.99	11,308	4.99				
	770	22,670	3.00	21,379	3.24	20,088	3.48	19,008	3.50	16,974	3.50	14,723	3.57	11,465	3.77	9,660	3.77	8,175	4.12	5,938	4.82		
	670	19,726	1.98	18,242	2.19	16,871	2.31	14,842	2.31	12,170	2.43	9,028	2.49	7,208	2.69	5,668	3.02	4,791	3.29	3,185	3.73	1,734	4.15
	530	15,604	0.98	13,734	1.14	11,347	1.14	7,479	1.23	5,188	1.40	3,797	1.63	2,765	1.81	1,832	1.97	928	2.14				
	485	14,279	0.75	12,294	0.88	9,206	0.90	5,547	0.99	3,701	1.21	2,556	1.38	1,540	1.53	552	1.68						
	425	12,512	0.50	10,224	0.59	5,765	0.63	3,342	0.80	2,048	0.95	907	1.08										
RHSS 48	700	31,865	3.96	30,137	4.32	28,349	4.57	26,393	4.75	23,759	4.96	21,172	5.03	18,275	5.10	13,310	5.31	11,274	5.68	8,253	6.18	5,823	7.01
	635	28,906	2.96	27,001	3.28	25,001	3.47	22,399	3.65	19,532	3.75	16,160	3.82	11,536	4.05	9,512	4.34	7,893	4.56	5,160	5.26	3,149	5.95
	555	25,264	1.98	23,071	2.24	20,554	2.39	17,253	2.50	12,744	2.57	9,013	2.82	7,125	3.02	5,429	3.31	4,107	3.60	1,850	4.21		
	440	20,029	0.98	17,208	1.16	13,207	1.25	7,607	1.37	5,069	1.54	3,296	1.79	1,836	2.04	570	2.24						
	400	18,208	0.74	14,988	0.98	10,010	0.96	5,458	1.11	3,201	1.32	1,604	1.54	222	1.72								
	350	15,932	0.50	11,879	0.62	5,637	0.71	2,912	0.88	1,130	1.06												
RHSS 54	520	34,260	3.95	31,738	4.16	28,796	4.33	24,626	4.53	18,622	4.58	15,263	4.63	13,084	4.99	10,906	5.35	9,106	5.73	5,785	6.49	3,098	7.35
	475	31,296	3.01	28,476	3.17	24,759	3.34	19,435	3.49	14,433	3.49	11,967	3.80	9,582	4.13	7,728	4.48	5,910	4.82	2,841	5.60	1,123	6.57
	415	27,342	2.01	24,035	2.12	19,237	2.32	12,847	2.33	9,955	2.59	7,466	2.88	5,385	3.19	3,305	3.49	2,122	3.89	155	4.73		
	330	21,742	1.01	16,945	1.12	9,733	1.18	6,360	1.41	3,743	1.65	1,760	1.94	523	2.27								
	300	19,766	0.76	14,098	0.87	7,537	0.96	4,283	1.17	1,780	1.41	419	1.72										
	260	17,130	0.49	9,311	0.57	4,553	0.72	1,549	0.92														
RHSS 60	495	47,591	6.02	44,725	6.32	41,302	6.64	36,821	6.98	30,474	7.06	24,401	7.17	20,665	7.32	17,637	7.74	14,815	8.24				
	465	44,706	4.99	41,656	5.28	37,908	5.57	32,855	5.79	24,794	6.03	20,579	6.02	17,101	6.33	14,096	6.80	11,477	7.35				
	415	39,899	3.55	36,350	3.80	31,572	4.08	23,074	4.32	18,289	4.28	14,518	4.59	11,288	5.03	8,479	5.55	6,484	6.08	3,401	7.16		
	390	37,496	2.94	33,632	3.19	28,202	3.42	19,786	3.53	15,133	3.65	11,551	4.04	8,512	4.52	6,230	5.02	4,482	5.52	1,387	6.54		
	340	32,688	1.95	28,077	2.16	18,989	2.38	13,357	2.40	9,342	2.76	6,203	3.18	4,050	3.26	2,275	4.07	500	4.51				
	270	25,959	0.98	19,174	1.13	10,048	1.23	5,390	1.54	2,733	1.89	498	2.24										

CONTRACTOR		RHSS FAN DETAIL		
ARCHITECT	JOB	DATE	SUPERSEDES	DRAWING NO.
ENGINEER	DATE SUBMITTED	REVERSOMATIC Heating & Mfg. Ltd Toronto, Ontario		



"S" BLADE
 Standard blade
 Std. Blade Thickness - 18 GA
 Std. Hub Thickness - 10 GA

RHES - HOODED EXHAUST FANS

PERFORMANCE DATA

CUBIC FEET PER MINUTE AND HORSEPOWER REQUIREMENTS

CATALOG NUMBER	FAN RPM	FREE AIR		1/8		1/4		3/8		1/2		3/4		1		1-1/4		1-1/2		1-3/4		2	
		CFM	BHP	CFM	BHP	CFM	BHP	CFM	BHP	CFM	BHP	CFM	BHP	CFM	BHP	CFM	BHP	CFM	BHP	CFM	BHP	CFM	BHP
RHES 24	1440	8,958	1.48	8,606	1.53	8,257	1.59	7,856	1.64	7,360	1.69	6,836	1.73	6,022	1.76	4,615	1.78	3,897	1.84	2,859	2.01	2,039	2.16
	1260	7,836	0.99	7,437	1.04	7,037	1.09	6,476	1.13	5,842	1.17	4,651	1.18	3,477	1.22	2,918	1.29	2,340	1.37	1,449	1.52	762	1.68
	1140	7,090	0.73	6,648	0.78	6,144	0.82	5,518	0.85	4,418	0.88	3,093	0.91	2,447	0.98	1,884	1.04	1,392	1.11	633	1.26		
	1000	6,219	0.50	5,716	0.53	5,061	0.57	4,043	0.59	2,609	0.62	1,881	0.68	1,299	0.74	825	0.80	443	0.87				
	860	5,349	0.32	4,750	0.35	3,809	0.37	2,211	0.40	1,410	0.54	799	0.50	346	0.56								
	790	4,913	0.24	4,222	0.27	2,807	0.29	1,576	0.33	865	0.38	347	0.43										
RHES 30	970	12,894	1.49	12,141	1.60	11,169	1.65	9,896	1.72	8,097	1.78	6,195	1.82	5,248	1.95	4,002	2.09	2,924	2.25	1,583	2.60	563	2.97
	860	11,432	1.04	10,533	1.13	9,372	1.17	7,541	1.24	5,418	1.27	4,265	1.39	2,894	1.53	1,999	1.67	1,310	1.84	178	2.16		
	770	10,235	0.74	9,192	0.82	7,657	0.87	5,108	0.89	3,833	1.00	2,368	1.12	1,490	1.26	802	1.40	170	1.55				
	640	8,507	0.43	7,170	0.48	4,486	0.51	2,724	0.60	1,373	0.70	542	0.82										
	595	7,909	0.34	6,380	0.39	3,617	0.43	1,808	0.52	767	0.63												
	540	7,178	0.26	5,327	0.30	2,611	0.35	991	0.44	60	0.54												
RHES 36	840	16,641	1.99	15,722	2.11	14,606	2.22	13,331	2.32	11,604	2.42	9,538	2.47	7,568	2.60	6,365	2.72	5,257	2.90	3,335	3.34	1,949	3.75
	765	15,155	1.50	14,114	1.61	12,844	1.71	11,197	1.80	9,033	1.86	6,877	1.97	5,561	2.08	4,372	2.26	3,268	2.47	1,734	2.84		
	665	13,174	0.99	11,932	1.08	10,299	1.16	7,913	1.22	5,729	1.31	4,181	1.44	2,898	1.61	2,010	1.78	1,063	1.94				
	605	11,985	0.74	10,583	0.83	8,563	0.90	5,545	0.97	4,017	1.06	2,589	1.22	1,633	1.37	550	1.52						
	530	10,500	0.50	8,821	0.57	5,985	0.62	3,642	0.71	2,084	0.84	949	0.97										
	460	9,113	0.33	6,992	0.39	3,722	0.44	1,825	0.55	486	0.66												
RHES 42	795	24,532	3.98	23,112	4.04	21,708	4.21	20,231	4.31	18,496	4.42	16,697	4.47	13,741	4.71	11,187	4.80	9,742	4.99				
	725	22,372	3.02	20,815	3.09	19,287	3.25	17,526	3.29	15,537	3.39	12,489	3.58	9,792	3.64	8,467	3.87	7,262	4.13	5,407	4.69	3,838	5.18
	630	19,441	1.98	17,649	2.06	15,797	2.14	13,547	2.22	9,911	2.39	7,753	2.48	6,367	2.70	5,232	2.94	4,264	3.19	2,512	3.61	600	4.22
	500	15,429	0.99	13,194	1.07	10,438	1.11	6,414	1.21	4,668	1.39	3,432	1.59	2,338	1.74	1,149	1.97						
	455	14,041	0.75	11,530	0.81	7,633	0.89	4,847	1.00	3,311	1.17	2,091	1.32	777	1.53								
	400	12,343	0.51	9,352	0.56	4,957	0.63	3,050	0.78	1,642	0.92	136	1.11										
RHES 48	660	30,516	3.96	28,662	4.08	26,807	4.20	24,390	4.38	21,617	4.64	17,790	4.71	13,432	4.96	11,243	5.13	9,455	5.28	6,559	6.05	4,350	6.79
	600	27,742	2.98	25,702	3.09	23,494	3.21	20,609	3.44	17,293	3.50	12,112	3.73	9,718	3.89	7,991	4.14	6,309	4.46	3,865	5.13	1,610	5.79
	525	24,274	1.99	21,943	2.09	19,080	2.22	15,532	2.34	10,125	2.52	7,651	2.65	5,749	2.96	4,213	3.24	2,919	3.51	373	4.16		
	415	19,188	0.98	16,078	1.07	10,903	1.18	6,378	1.30	4,037	1.52	2,305	1.73	696	1.99								
	375	17,339	0.73	13,719	0.81	7,389	0.92	4,283	1.07	2,244	1.27	448	1.49										
	330	15,258	0.49	10,808	0.58	4,728	0.66	2,175	0.85	135	1.04												
RHES 54	500	34,029	4.09	30,493	4.44	27,816	4.54	22,512	4.54	17,377	4.65	14,940	4.93	12,740	5.20	10,540	5.47	10,298	6.00	5,299	7.01	1,832	7.94
	450	30,626	2.89	26,734	3.28	23,107	3.31	16,292	3.33	13,571	3.58	11,123	3.82	9,335	4.14	9,195	4.63	5,449	5.07	1,164	5.90		
	395	26,883	2.01	22,881	2.23	16,559	2.24	12,166	2.40	9,353	2.62	8,134	2.96	6,052	3.37	2,410	3.73	441	4.10				
	310	21,098	0.97	15,518	1.08	8,986	1.19	6,400	1.40	2,673	1.72	164	2.00										
	285	19,397	0.76	12,450	0.84	7,066	0.97	5,693	1.24	768	1.50												
	250	17,015	0.51	8,688	0.58	5,149	0.75	916	0.99														
RHES 60	470	46,758	5.86	43,211	6.09	39,463	6.29	33,375	6.35	26,277	6.71	22,268	6.71	18,657	6.82	15,489	7.54	12,631	8.18				
	445	44,271	4.98	40,525	5.19	36,514	5.37	28,163	5.33	23,052	5.69	19,064	5.69	15,586	6.21	12,389	6.86	9,883	7.35	6,195	8.51		
	410	40,789	3.89	36,723	4.09	31,207	4.31	23,132	4.45	18,600	4.45	14,699	4.80	11,257	5.39	8,538	5.84	6,619	6.39	2,850	7.70		
	375	37,307	3.98	32,817	3.16	25,282	3.18	18,614	3.41	14,170	3.57	10,354	4.12	7,466	4.54	5,427	5.04	3,363	5.54				
	325	32,333	1.94	27,043	2.09	17,642	2.22	12,301	2.32	8,135	2.77	5,310	3.17	2,936	3.60	349	4.03						
	260	25,866	0.99	16,708	1.05	9,383	1.22	4,836	1.55	1,871	1.90												

CONTRACTOR		RHES FAN DETAIL		
ARCHITECT	JOB	DATE	SUPERSEDES	DRAWING NO.
ENGINEER	DATE SUBMITTED	REVERSOMATIC Heating & Mfg. Ltd Toronto, Ontario		



"A" Blade

RHEA & RHSA EXHAUST & SUPPLY HOODED FANS

PERFORMANCE DATA

MODEL Motor HP Max	BLADE Type	FAN RPM	FREE AIR		1 / 8 "		1 / 4 "		3 / 8 "		1 / 2 "		5 / 8 "		3 / 4 "		1 "		1 1/8 "		
			CFM	BHP	CFM	BHP	CFM	BHP	CFM	BHP	CFM	BHP	CFM	BHP	CFM	BHP	CFM	BHP	CFM	BHP	
RHEA/RHSA 24"																					
0.5 HP	SD	675	4422	0.220	3958	0.258	2687	0.303	1861	0.35	1028	0.4									
2 HP	SD	1140	7468	1.062	7185	1.127	6933	1.195	6642	1.25	6239	1.36	5238	1.44	4281	1.47					
2 HP	HD	1140															3395	1.63	2909	1.7	
3 HP	HD	1350	8843	1.763	8589	1.951	8390	1.899	8166	2.01	7917	2.06	7611	2.17	7172	2.31	5375	2.42	4751	2.5	
RHEA/RHSA 30"																					
1.5 HP	SD	675	9219	0.661	8498	0.731	7288	0.817	5360	0.885	3896	0.933	2531	1.053	1350	1.176					
3 HP	SD	860	11746	1.366	11248	1.462	10539	1.551	9545	1.668	8561	1.758	6601	1.818	5463	1.871					
3 HP	HD	860															3347	2.159	2370	2.32	
5 HP	HD	1140	15570	3.182	15195	3.309	14790	3.432	14277	3.538											
RHEA/RHSA 36"																					
0.75 HP	SD	400	9135	0.331	7322	0.398	3977	0.468	1678	0.591											
2 HP	SD	550	12561	0.860	11435	0.944	9841	1.045	6143	1.141	4692	1.247	3076	1.407	1981	1.597					
2 HP	SD	575	13132	0.983	12080	1.068	10658	1.177	8298	1.255	5497	1.371	3920	1.516	2602	1.717					
3 HP	SD	695	15873	1.736	15027	1.835	14002	1.958	12753	2.087	10885	2.186									
5 HP	HD	695											7555	2.321	6439	2.448	3866	2.843	2961	3.09	
5 HP	HD	780	17814	2.454	17060	2.566	16229	2.690	15238	2.841	13989	2.978	12292	3.087	8842	3.246	6707	3.547	5547	3.75	
7.5 HP	XHD	940	21468	4.298	20843	4.429	20217	4.564	19479	4.726	18657	4.907	17834	5.089	16626	5.241	13595	5.48	10325	5.73	
RHEA/RHSA 42"																					
2 HP	SD	400	15681	0.983	13628	1.059	9739	1.164	5470	1.230	3199	1.425									
3 HP	SD	500	19601	1.919	18102	2.001	15984	2.135	12599	2.269	7967	2.260									
5 HP	HD	500											6300	2.479	4465	2.720					
7.5 HP	XHD	700	27441	5.266	26419	5.368	25294	5.496	23956	5.663	22241	5.874	19777	6.178	17348	6.232	10981	6.234	9803	6.53	
RHEA/RHSA 48"																					
3 HP	SD	400	23947	1.828	21364	1.899	17616	2.021	10338	2.029	7334	2.267									
5 HP	HD	400											4124	2.584	2191	2.910					
7.5 HP	XHD	500	29933	3.571	27899	3.627	25772	3.776	22449	3.94	16196	4.056	12038	4.047	9743	4.345	4865	5.124	3319	5.53	
10 HP	XHD	600	35920	6.170	34225	6.238	32491	6.361	30631	6.553	27855	6.789	24993	6.85	18355	6.932	12821	7.272	11001	7.65	
RHEA/RHSA 54"																					
3 HP	SD	350	28565	2.214	25468	2.325	20495	2.439	10845	2.449	7365	2.776									
7.5 HP	SD	450	36727	4.706	34508	4.888	31926	4.997	28195	5.162	19717	5.11	13850	5.221							
7.5 HP	HD	450													11498	5.605					
12.5 HP	XHD	550	44888	8.592	43168	8.844	41044	8.969	38997	9.126	36387	9.326	31805	9.46	23863	9.325	15924	9.779	13953	10.3	
RHEA/RHSA 60"																					
5 HP	SD	300	35139	2.407	31039	2.516	24021	2.604	13251	2.56	7790	2.97	4630	3.35							
10 HP	HD	405	47438	5.921	44234	6.076	41229	6.204	37221	6.285	26720	6.454	19944	6.243	15251	6.535	8648	7.616	6483	8.18	
15 HP	XHD	500	58565	11.14	56208	11.32	53378	11.52	51048	11.67	47970	11.77	44186	11.88	33681	12.34	23278	11.75	19414	12.2	

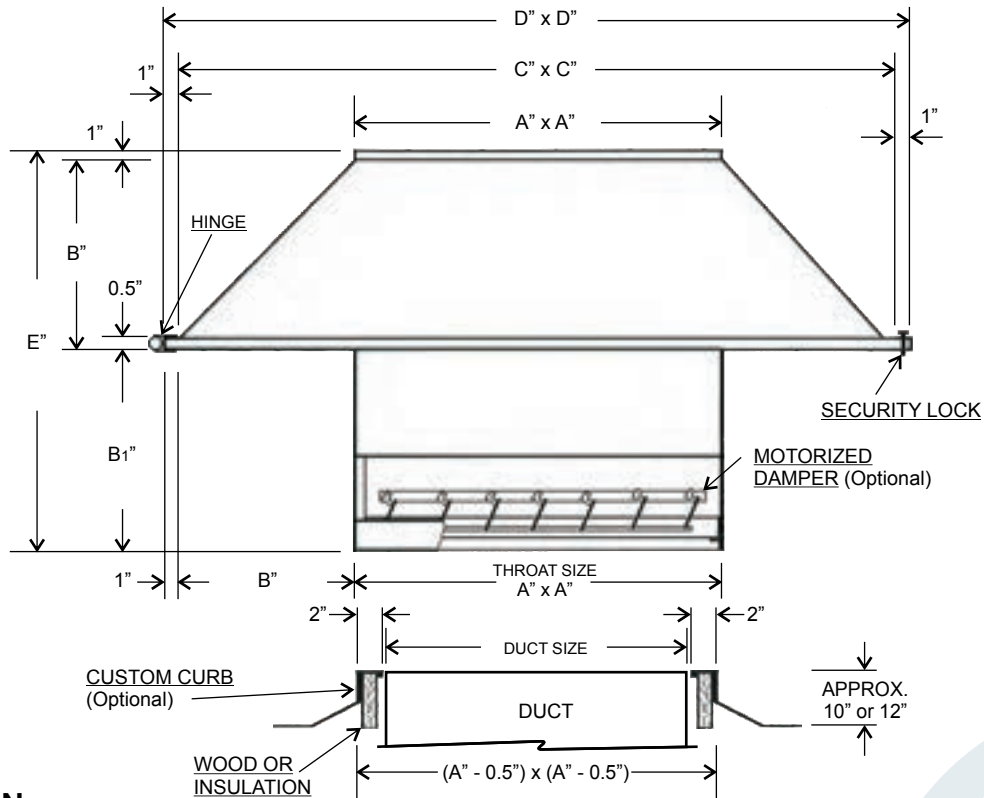
*SD - Standard Duty, HD - Heavy Duty, XHD - Extra Heavy Duty

- BHP does not include drive losses. All fans are tested at Standard air.

- All selections are based on CARBON STEEL construction. Test data is accumulated based on AMCA 210-85, figure 12, 2% tip clearance and ANSI S12.12 - 1992 panel tests, inlet only.

NOTE: For selections at other CFM and Static Pressure conditions, contact factory sales representative.

ROOF TOP EXHAUST (EH) & INTAKE (IH) HOOD DETAIL



DIMENSION

MODEL	DUCT SIZE	A" x A"	B"	B1"	C"	D"	E"	SHIPPING WEIGHT	
								LBS.	KG.
EH 12 IH 12	12 x 12	18 x 18	8 ½	8 ½	35	37	18	25	11.36
EH 16 IH 16	16 x 16	22 x 22	8 ½	8 ½	39	41	18	34	15.45
EH 18 IH 18	18 x 18	24 x 24	8 ½	8 ½	41	43	18	48	21.82
EH 20 IH 20	20 x 20	26 x 26	8 ½	8 ½	43	45	18	61	27.73
EH 24 IH 24	24 x 24	30 x 30	8 ½	8 ½	47	49	18	73	33.18
EH 30 IH 30	30 x 30	36 x 36	10 ½	10 ½	57	59	22	95	43.18
EH 36 IH 36	36 x 36	42 x 42	12	12	66	68	25	119	54.10
EH 42 IH 42	42 x 42	49 x 49	14 ½	14 ½	78	80	30	142	64.55
EH 48 IH 48	48 x 48	55 x 55	16	16	87	89	33	168	76.36
EH 54 IH 54	54 x 54	60 x 60	17.5	17.5	95	97	36	195	88.64
EH 60 IH 60	60 x 60	68 x 68	20	20	108	110	41	220	100.00

NOTE:

Exhaust Hood (EH)
- come w/ Steel Mesh

Intake Hood (IH)
- come w/ Aluminum Filter

*Add 6" for Gravity Shutter and for Motorized Shutter in B1 dimension

All dimensions are shown in inches.

Contractor:		<input type="checkbox"/> Exhaust <input type="checkbox"/> Intake Hood		
Architect:	Job:	Date	Supersedes	Drawing No.
Engineer:	Date Submitted:			

Reversomatic Manufacturing Ltd.

790 Rowntree Dairy Road, Woodbridge, ON, Canada L4L 5V3 • Tel: 905-851-6701 • Fax: 905-851-8376
www.reversomatic.com • info@reversomatic.com



ACCESSORIES



Reversomatic Manufacturing Ltd.

790 Rowntree Dairy Road, Woodbridge, ON Canada L4L 5V3 • Tel: 905-851-6701 • Fax: 905-851-8376
www.reversomatic.com • info@reversomatic.com

ACCESSORIES: STANDARD WALL BOXES

June 2008

Test Standard:

Cyclic Static Test ASTM E547-00

Tested @ 200 Pa



SINGLE WALL BOX:
Models SWBS-8, SWBS-12



DOUBLE WALL BOX:
Models DWBS-8, DWBS-12



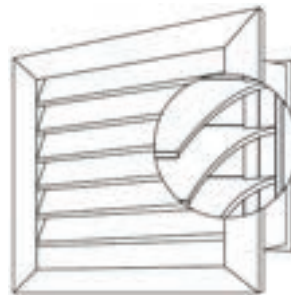
JUNIOR WALL BOX:
Models JWB-4



TRIPLE WALL BOX:
Models TWBS-8, TWBS-12



SOFFIT WALL BOX:
Model SFWB



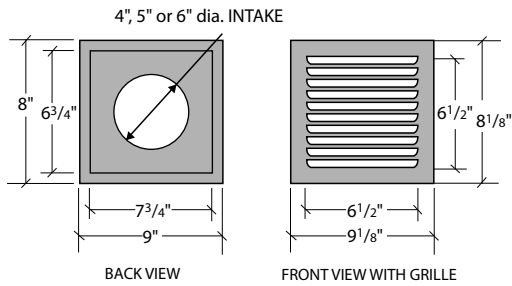
EXTRUDED ALUMINUM GRILLE:
Available for Single, Double, Triple and
Custom wall boxes

Reversomatic Manufacturing Ltd.

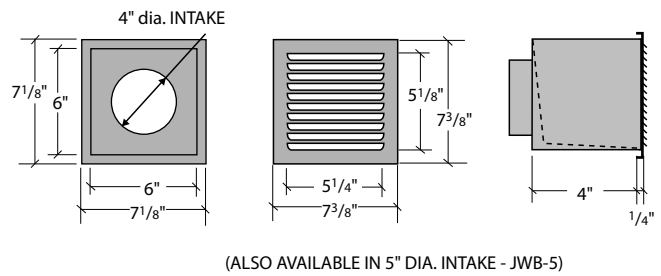
790 Rowntree Dairy Road, Woodbridge, ON Canada L4L 5V3 • Tel: 905-851-6701 • Fax: 905-851-8376
www.reversomatic.com • info@reversomatic.com

ACCESSORIES: Standard Wall Boxes

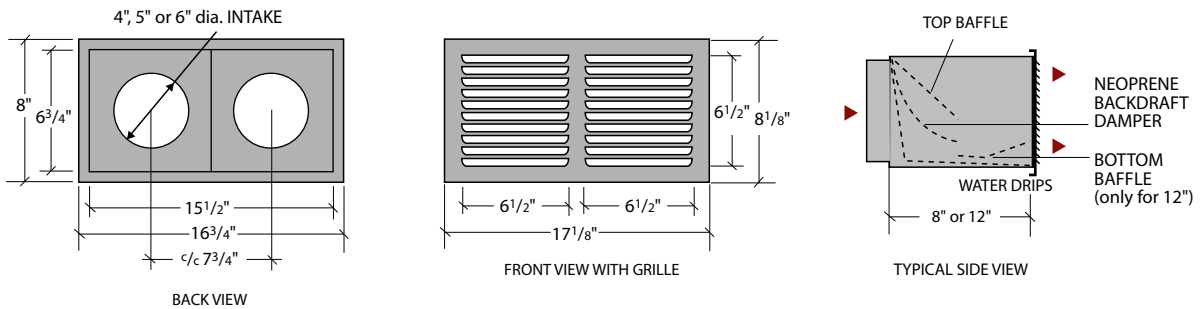
SINGLE WALL BOX: Models SWBS-8, SWBS-12



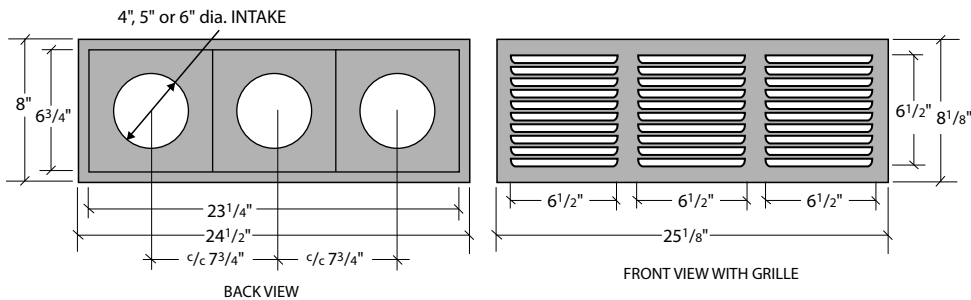
JUNIOR WALL BOX: Model JWB-4



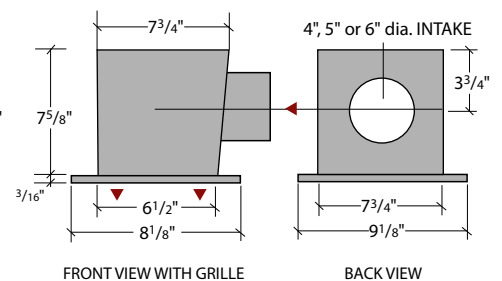
DOUBLE WALL BOX: Models DWBS-8, DWBS-12



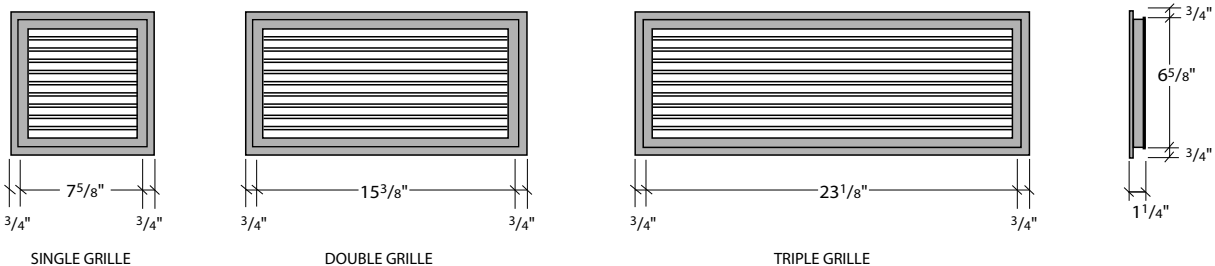
TRIPLE WALL BOX: Models TWBS-8, TWBS-12



SOFFIT WALL BOX: Model SFWB



EXTRUDED ALUMINUM GRILLES



Contractor:		STANDARD WALL BOXES		
Architect:	Job:	Data	Supersedes	Drawing No.
Engineer:	Date Submitted:			

Reversomatic Manufacturing Ltd.

790 Rowntree Dairy Road, Woodbridge, ON Canada L4L 5V3 • Tel: 905-851-6701 • Fax: 905-851-8376
 www.reversomatic.com • info@reversomatic.com



ACCESSORIES: LEAK-PROOF WALL BOXES

August 2009

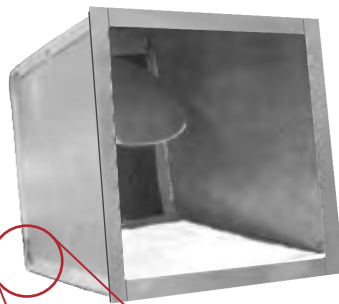
Test Standard:

Cyclic Static Test ASTM E547-00

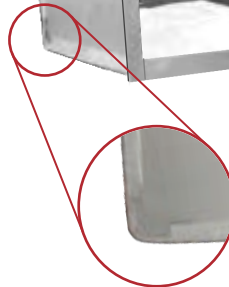
Tested @ 400 Pa

SINGLE WALL BOX

MODEL: SWBL-8



Extruded Aluminum Grille
(optional for all sizes)



Leak Proof Seamless
Flanged Wrap Construction

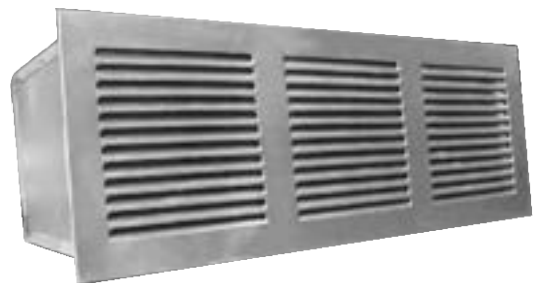
DOUBLE WALL BOX

MODEL: DWBL-8



TRIPLE WALL BOX

MODELS: TWBL-8

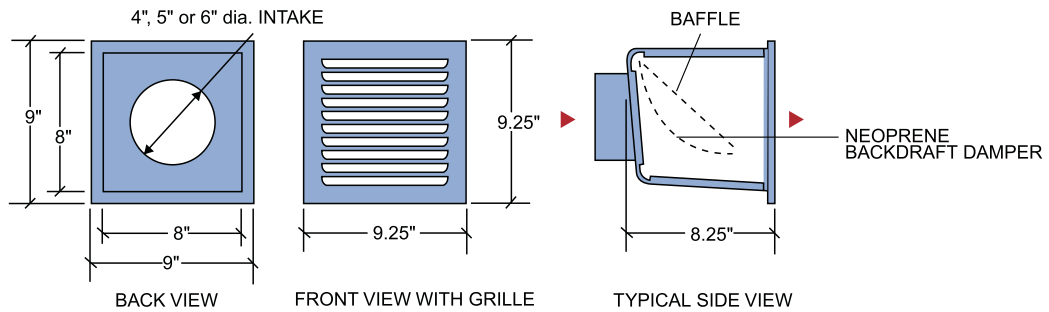


Reversomatic Manufacturing Ltd.

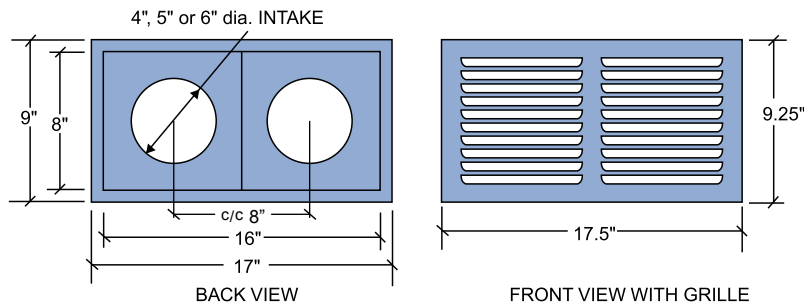
790 Rowntree Dairy Road, Woodbridge, ON Canada L4L 5V3 • Tel: 905-851-6701 • Fax: 905-851-8376
www.reversomatic.com • info@reversomatic.com

ACCESSORIES: LEAK-PROOF WALL BOXES

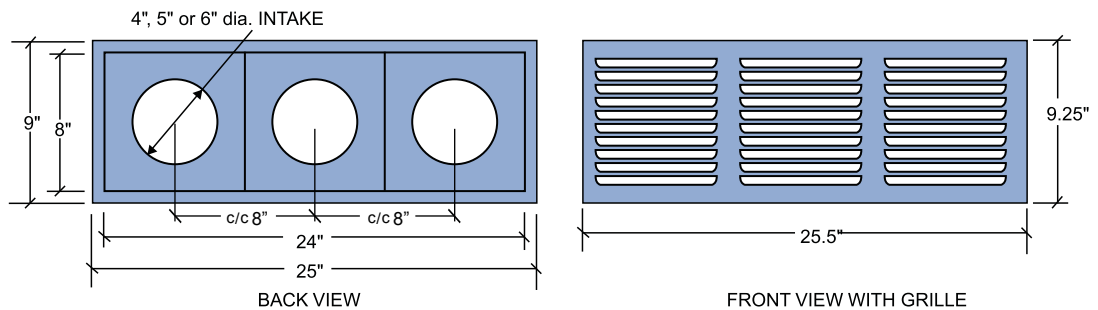
SINGLE WALL BOX MODEL: SWBL-8



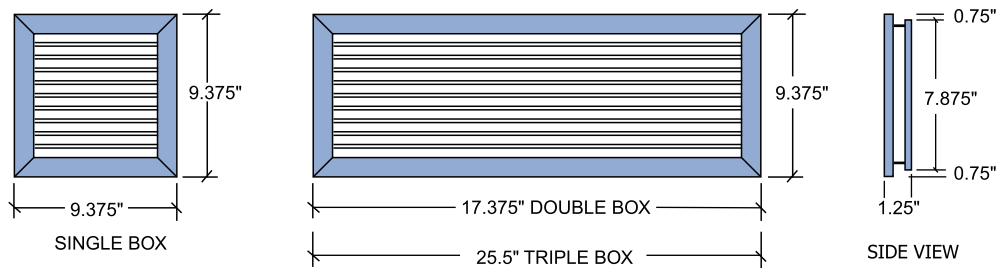
DOUBLE WALL BOX MODEL: DWBL-8



TRIPLE WALL BOX MODEL: TWBL-8



EXTRUDED ALUMINUM GRILLES



Contractor:		LEAK-PROOF WALL BOXES		
Architect:	Job:	Date	Supersedes	Drawing No.
Engineer:	Date Submitted:			

ACCESSORIES: LEAK-PROOF WALL BOXES WITH MAGNET

PATENT PENDING

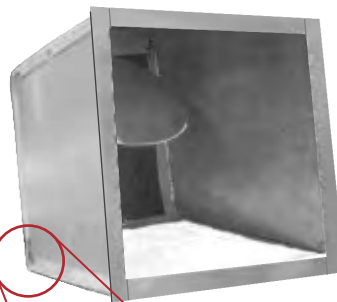
Test Standard:

Cyclic Static Test ASTM E547-00

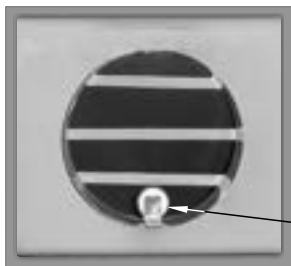
Tested @ 400 Pa

SINGLE WALL BOX

MODEL: SWBLM-8



Extruded Aluminum Grille
(optional for all sizes)



Back View

Magnet

- Factory set to prevent 0.05" to 0.10" W.C.
back-draft created inside the house/condo

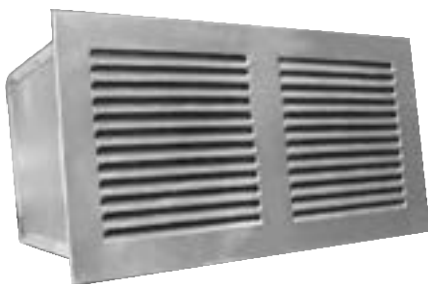
Leak Proof Seamless
Flanged Wrap Construction

NOTE:

Different magnet strengths are
available upon request to
accommodate higher back-draft

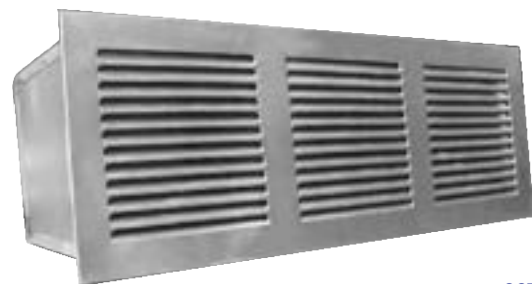
DOUBLE WALL BOX

MODEL: DWBLM-8



TRIPLE WALL BOX

MODELS: TWBLM-8



OCT. 13, 2010

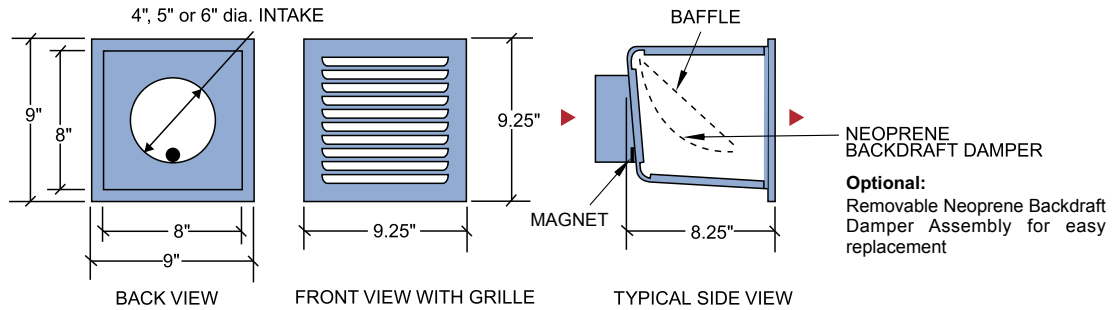
Reversomatic Manufacturing Ltd.

790 Rowntree Dairy Road, Woodbridge, ON Canada L4L 5V3 • Tel: 905-851-6701 • Fax: 905-851-8376
www.reversomatic.com • info@reversomatic.com

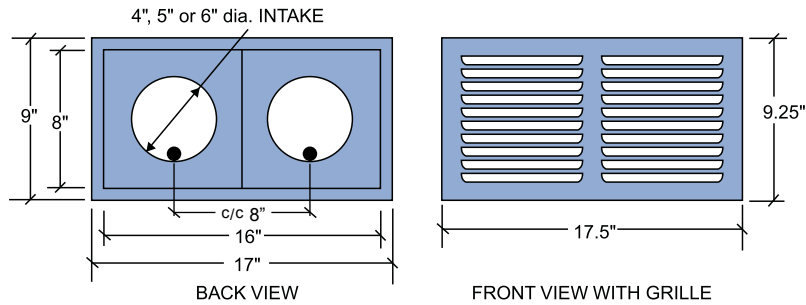
ACCESSORIES: LEAK-PROOF WALL BOXES WITH MAGNET

PATENT PENDING

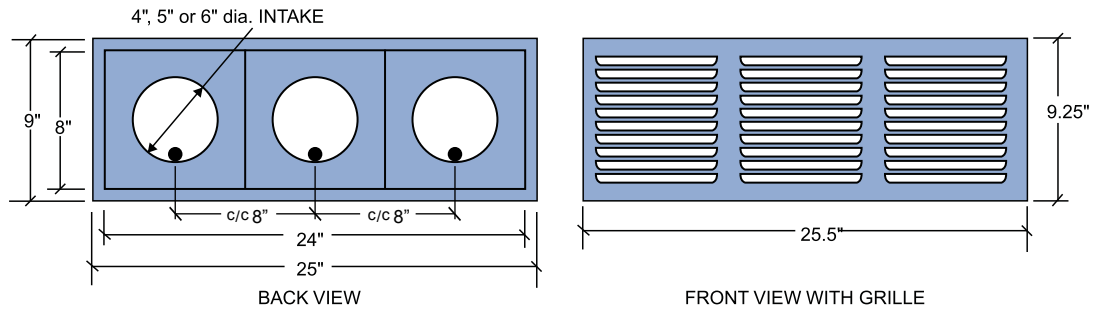
SINGLE WALL BOX MODEL: SWBLM-8



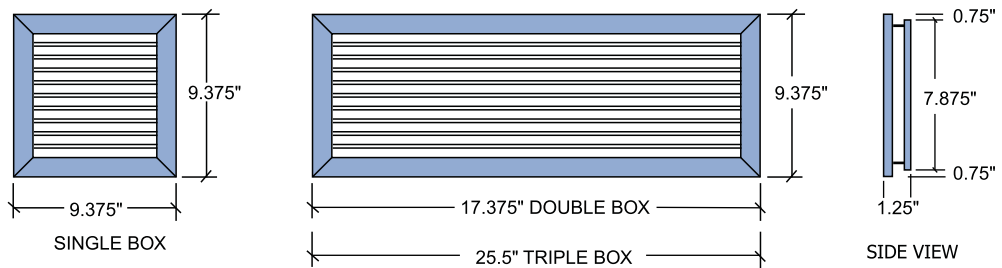
DOUBLE WALL BOX MODEL: DWBLM-8



TRIPLE WALL BOX MODEL: TWBLM-8



EXTRUDED ALUMINUM GRILLES



Contractor:		Leak-proof Wall Boxes with Magnet		
Architect:	Job:	Date	Supersedes	Drawing No.
Engineer:	Date Submitted:			

Reversomatic Manufacturing Ltd.

790 Rowntree Dairy Road, Woodbridge, ON Canada L4L 5V3 • Tel: 905-851-6701 • Fax: 905-851-8376
www.reversomatic.com • info@reversomatic.com

ACCESSORIES: WEATHER-TIGHT WALL BOXES

MARCH 2010

A single coat of epoxy paint applied to the interior surface of the box and two coats of epoxy paint applied to the exterior.

TEST STANDARDS:

Static Test ASTM E331-00

Cyclic Static Test ASTM E547-00

Tested @ 700 Pa

SINGLE WALL BOX

MODEL: SWBW-8



DOUBLE WALL BOX

MODEL: DWBW-8



TRIPLE WALL BOX

MODEL: TWBW-8

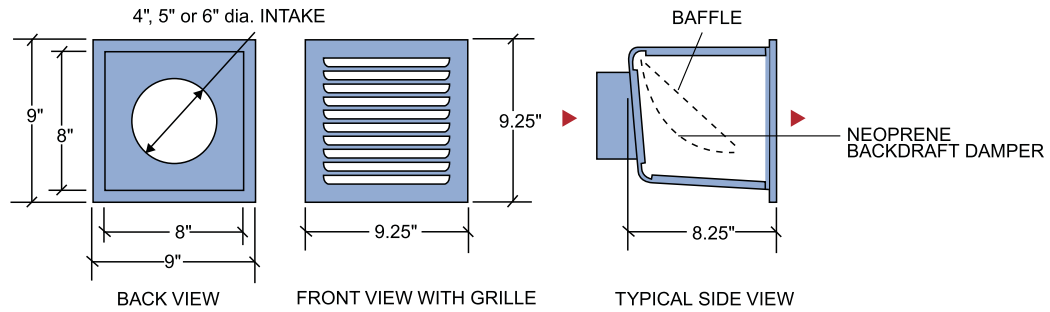


Reversomatic Manufacturing Ltd.

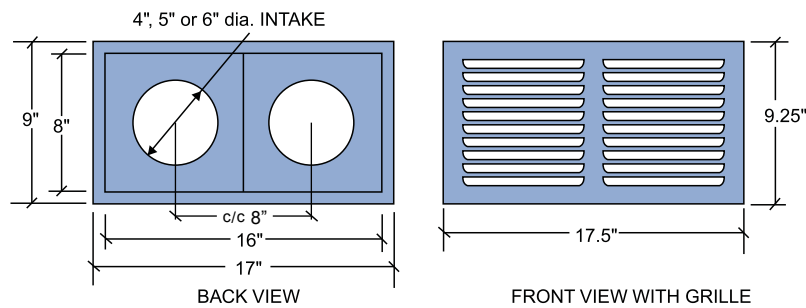
790 Rowntree Dairy Road, Woodbridge, ON Canada L4L 5V3 • Tel: 905-851-6701 • Fax: 905-851-8376
www.reversomatic.com • info@reversomatic.com

WEATHER-TIGHT BOXES

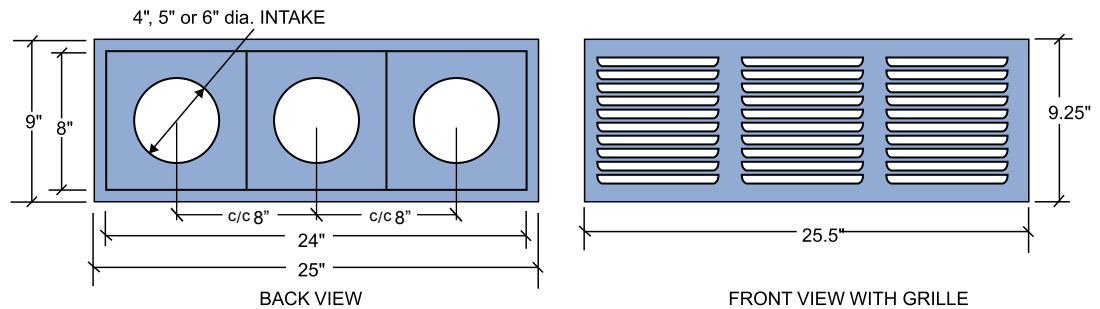
SINGLE WALL BOX MODEL: SWBW-8



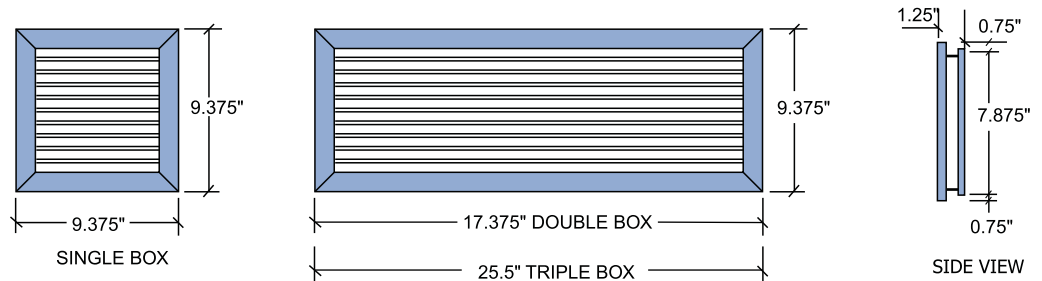
DOUBLE WALL BOX MODEL: DWBW-8



TRIPLE WALL BOX MODEL: TWBW-8



EXTRUDED ALUMINUM GRILLES



Contractor:		WEATHER-TIGHT WALL BOXES		
Architect:	Job:	Date	Supersedes	Drawing No.
Engineer:	Date Submitted:			

Reversomatic Manufacturing Ltd.

790 Rowntree Dairy Road, Woodbridge, ON Canada L4L 5V3 • Tel: 905-851-6701 • Fax: 905-851-8376
www.reversomatic.com • info@reversomatic.com

ACCESSORIES: WEATHER-TIGHT WALL BOXES WITH MAGNET

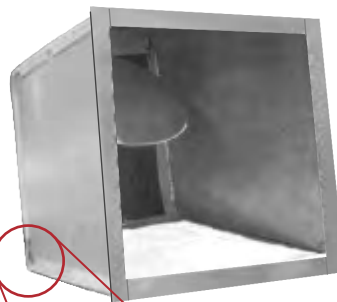
PATENT PENDING

A single coat of epoxy paint applied to the interior surface of the box and two coats of epoxy paint applied to the exterior.

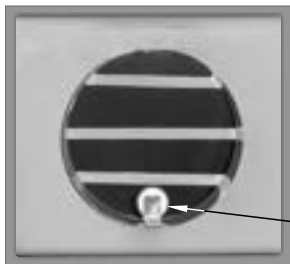
TEST STANDARDS:
Static Test ASTM E331-00
Cyclic Static Test ASTM E547-00
Tested @ 700 Pa

SINGLE WALL BOX

MODEL: SWBWM-8



Extruded Aluminum Grille
(optional for all sizes)



Back View

Magnet

- Factory set to prevent 0.05" to 0.10" W.C. back-draft created inside the house/condo

Leak Proof Seamless
Flanged Wrap Construction

NOTE:

Different magnet strengths are available upon request to accommodate higher back-draft

DOUBLE WALL BOX

MODEL: DWBWM-8



TRIPLE WALL BOX

MODEL: TWBWM-8



OCT. 19, 2010

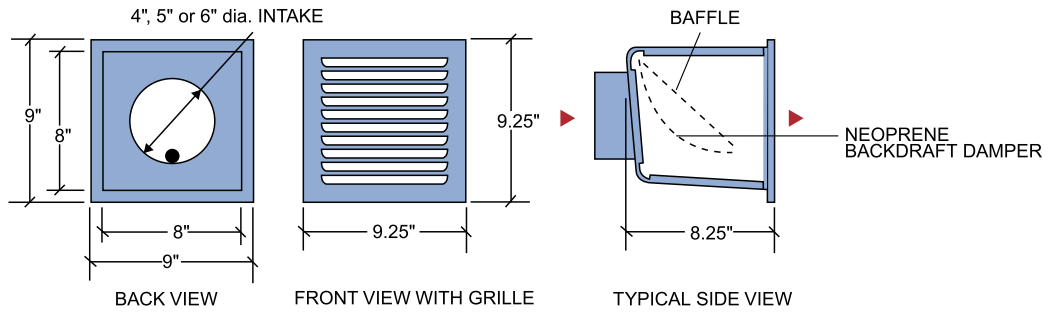
Reversomatic Manufacturing Ltd.

790 Rowntree Dairy Road, Woodbridge, ON Canada L4L 5V3 • Tel: 905-851-6701 • Fax: 905-851-8376
www.reversomatic.com • info@reversomatic.com

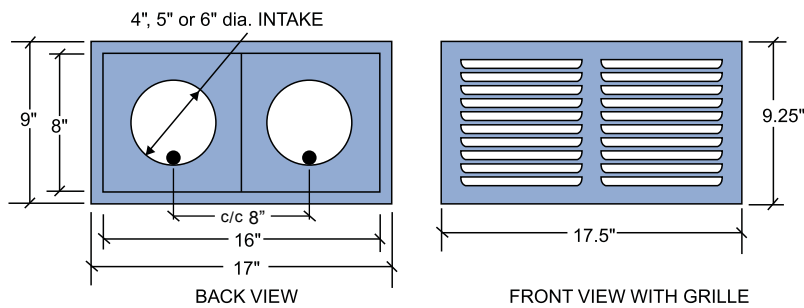
ACCESSORIES: WEATHER-TIGHT WALL BOXES WITH MAGNET

PATENT PENDING

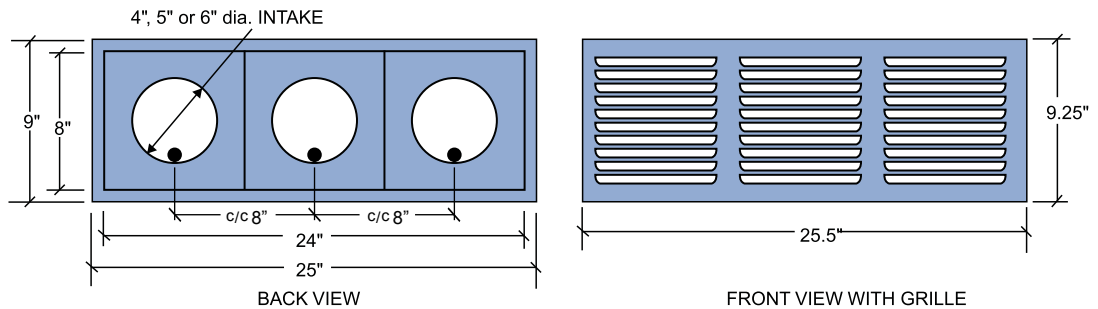
SINGLE WALL BOX MODEL: SWBWM-8



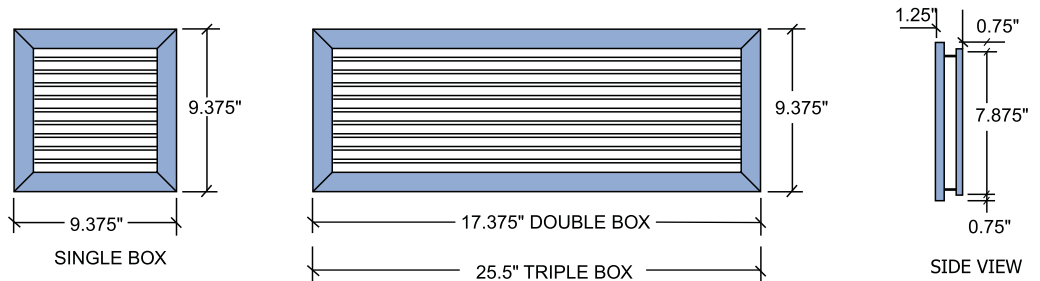
DOUBLE WALL BOX MODEL: DWBWM-8



TRIPLE WALL BOX MODEL: TWBWM-8



EXTRUDED ALUMINUM GRILLES



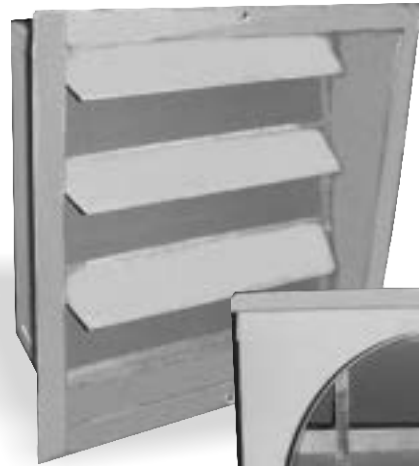
Contractor:		WEATHER-TIGHT WALL BOXES		
Architect:	Job:	Date	Supersedes	Drawing No.
Engineer:	Date Submitted:			

Reversomatic Manufacturing Ltd.

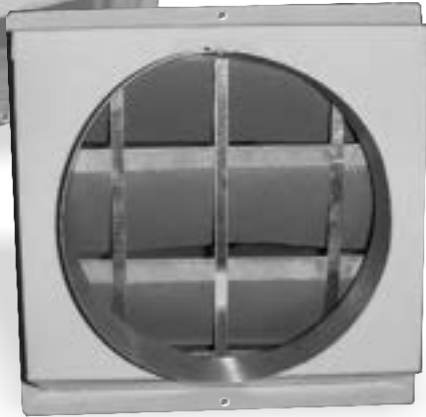
790 Rowntree Dairy Road, Woodbridge, ON Canada L4L 5V3 • Tel: 905-851-6701 • Fax: 905-851-8376
www.reversomatic.com • info@reversomatic.com



WINDOW PANEL EXHAUST BOX

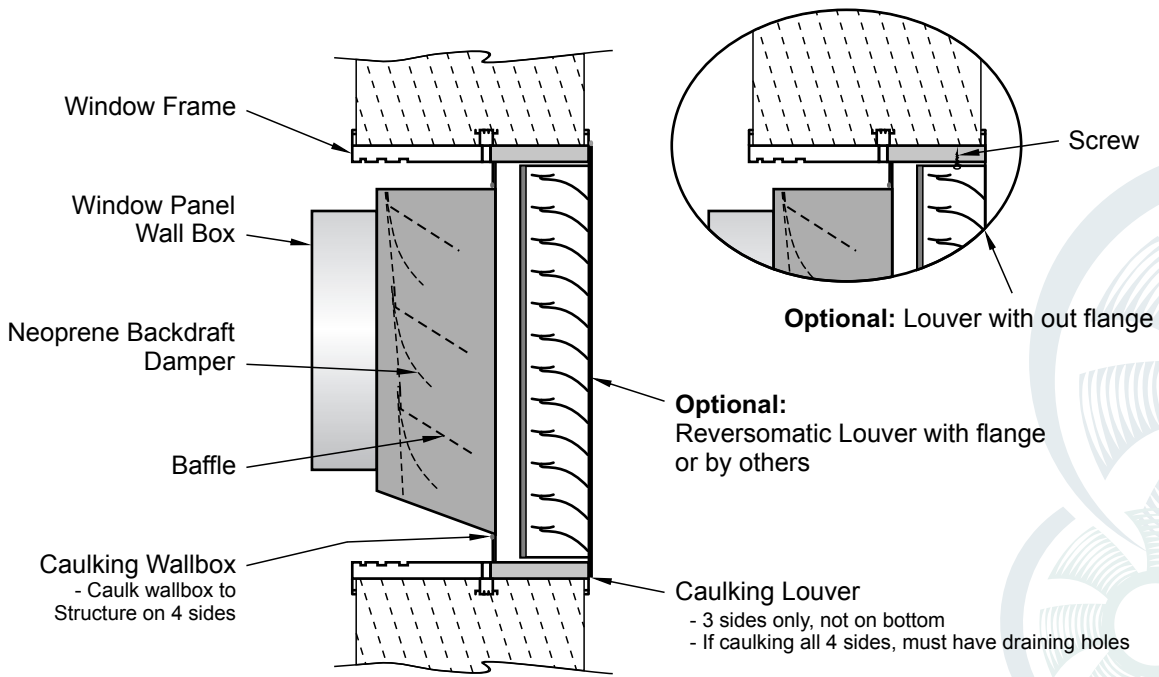


Tested @ 400 pa
According to
ASTM ES47-00



Available sizes:

- 4" dia. (WPEB4)
- 5" dia. (WPEB5)
- 6" dia. (WPEB6)

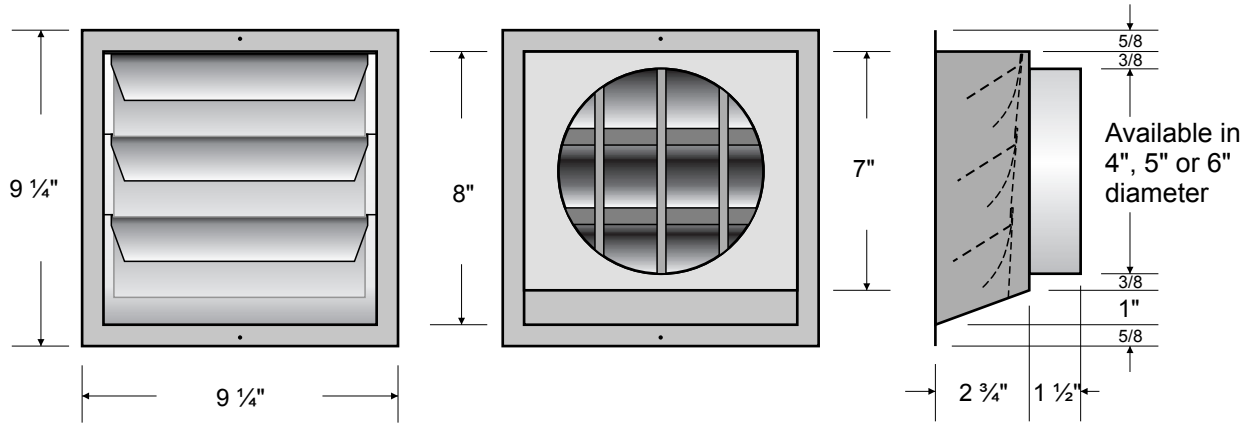


Reversomatic Manufacturing Ltd.

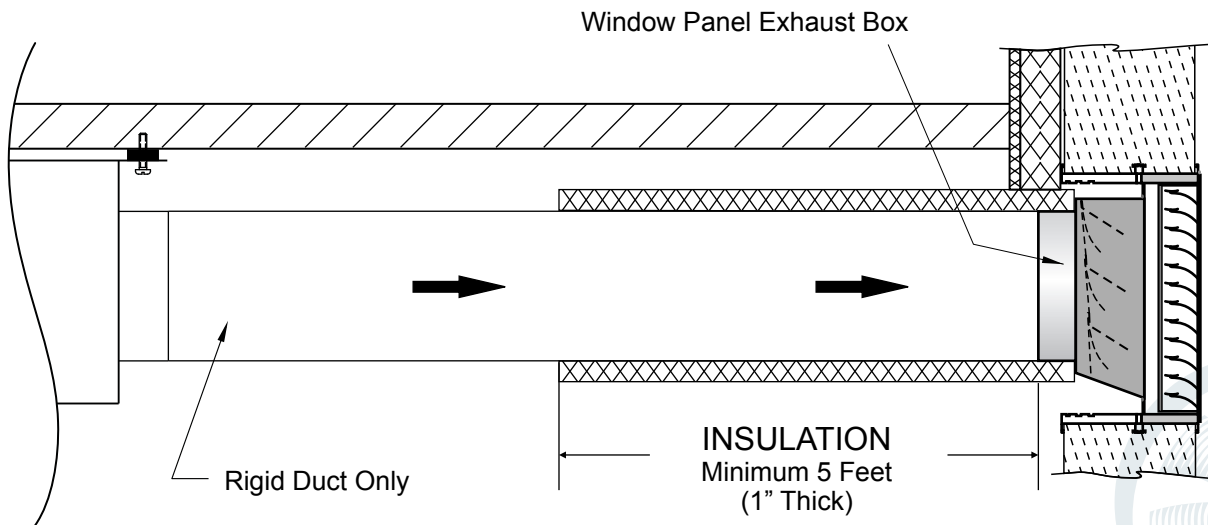
790 Rowntree Dairy Road, Woodbridge, ON Canada L4L 5V3 • Tel: 905-851-6701 • Fax: 905-851-8376
www.reversomatic.com • info@reversomatic.com

WINDOW PANEL EXHAUST BOX

Dimensions:



Typical Installation:

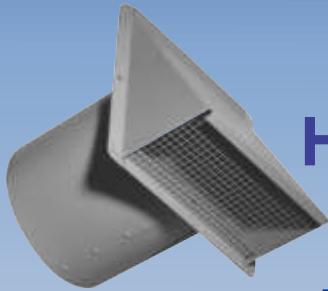


***FOLLOW YOUR LOCAL BUILDING CODE**

Contractor:		WINDOW PANEL WALLBOX		
Architect:	Job:	Date	Supersedes	Drawing No.
Engineer:	Date Submitted:			

Reversomatic Manufacturing Ltd.

790 Rowntree Dairy Road, Woodbridge, ON Canada L4L 5V3 • Tel: 905-851-6701 • Fax: 905-851-8376
www.reversomatic.com • info@reversomatic.com



**INTERCHANGEABLE
 HEAVY DUTY WALL CAPS**
 PATENT PENDING

**TWO APPLICATIONS IN ONE CAP:
 FRESH AIR IN**

EXHAUST AIR OUT



FRESH AIR



EXHAUST AIR

Reversomatic Heavy duty wall caps are installed through all over North America in extreme cold & hot conditions including ocean front buildings & houses for multiple applications like dryers, kitchen exhaust and general ventilation purpose.

INTERCHANGEABLE WALL CAP is a simple and smart solution to use in two applications: **FRESH AIR INTAKE & EXHAUST AIR DISCHARGE.**



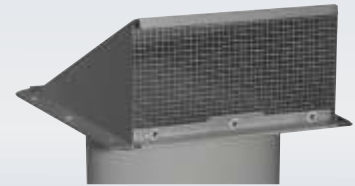
Preconditioned to any application Interchangeable wall cap.



Inserted Aluminium Back Draft Damper makes wall cap used for Exhaust



Inserted Fly Screen makes wall cap used for Fresh Air Intake



In both applications finally bird screen to be installed

Wall cap made off 24 GA Satin Coated Steel painted black, brown, white or 0.025" Aluminium. Aluminum is recommended for ocean front constructions, while steel or plastic are not preferable. Other colours and custom sizes are available upon request.

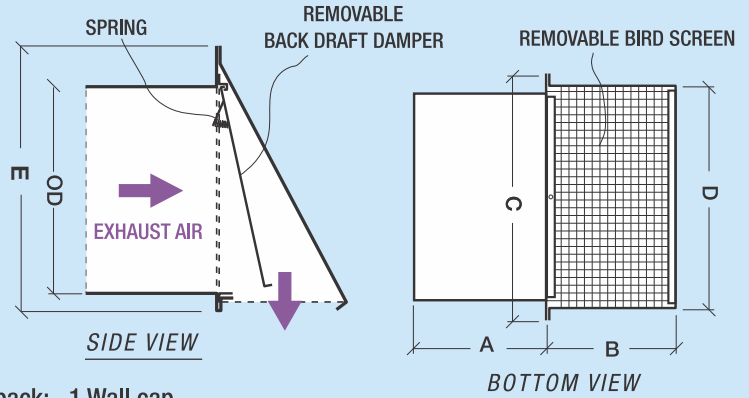
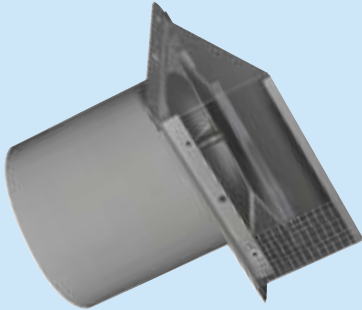
NOTE: see instructions for insert installation

INTERCHANGEABLE WALL CAP

- EASY TO INSTALL • EASY TO CONVERT FROM INTAKE TO EXHAUST OR EXHAUST TO INTAKE •
- EASY REMOVABLE BIRD-SCREEN, FLY SCREEN, BACK DRAFT DAMPER FOR CLEANING • HEAVY GAUGE ALUMINUM & STEEL •
- ELIMINATES INVENTORY • IMPACT RESISTANT • PREVENTS MOLD & MILDEW • ELIMINATES WATER PENETRATION •

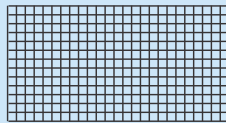
Wall caps comply with AMCA 511 Standard for testing weather penetration effectiveness
 Test Standard: Cyclic / Static Test ASTM E547-00 (Tested at 800 Pa)

EXHAUST AIR APPLICATION



Standard single pack: 1 Wall cap
 Additional single pack: 1 Bird screen,
 1 Back Draft Damper.

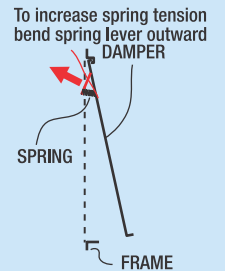
	OD 4", 5", 6"	OD 7", 8", 9"	OD 10", 12"
A	6"	6"	6"
B	3 ¹¹ / ₁₆ "	5 ¹¹ / ₁₆ "	7 ¹¹ / ₁₆ "
C	7 ¹³ / ₁₆ "	10 ³ / ₄ "	13 ³ / ₄ "
D	6 ¹ / ₂ "	9 ¹ / ₂ "	12 ¹ / ₂ "
E	8 ⁵ / ₁₆ "	11 ³ / ₈ "	-----



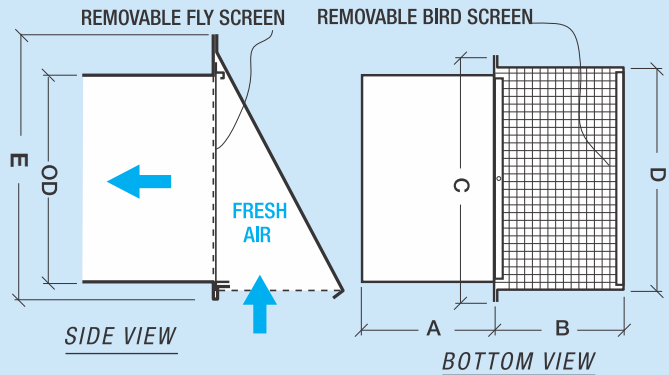
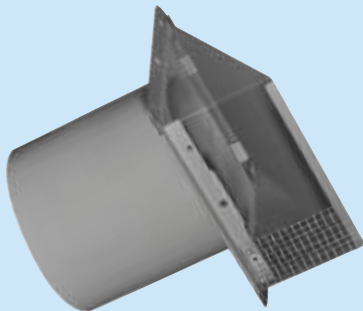
BIRD SCREEN
 (Not recommended
 for dryer exhaust application)



ALUMINIUM BACKDRAFT DAMPER

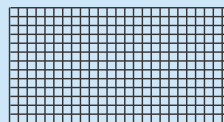


FRESH AIR INTAKE APPLICATION



Standard single pack: 1 Wall cap
 Additional single pack: 1 Bird screen,
 1 Fly Screen

	OD 4", 5", 6"	OD 7", 8", 9"	OD 10", 12"
A	6"	6"	6"
B	3 ¹¹ / ₁₆ "	5 ¹¹ / ₁₆ "	7 ¹¹ / ₁₆ "
C	7 ¹³ / ₁₆ "	10 ³ / ₄ "	13 ³ / ₄ "
D	6 ¹ / ₂ "	9 ¹ / ₂ "	12 ¹ / ₂ "
E	8 ⁵ / ₁₆ "	11 ³ / ₈ "	-----



BIRD SCREEN



FLY SCREEN

Contractor:		WALL CAP		
Architect:	Job:	Date	Supersedes	Drawing No.
Engineer:	Date Submitted:			

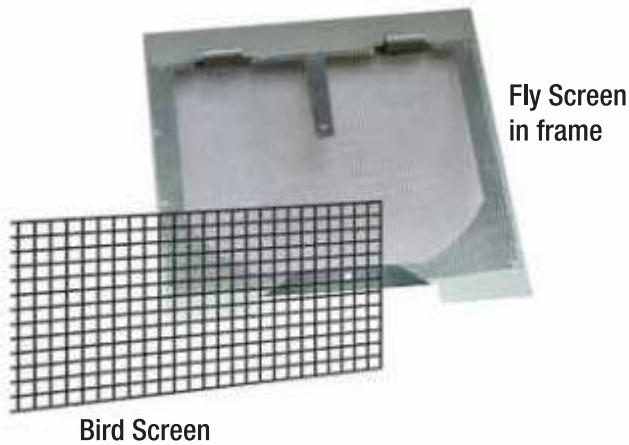


REVERSOMATIC
 MANUFACTURING LIMITED
 www.reversomatic.com

CANADA: 790 Rowntree Dairy Road
 Woodbridge, Ontario L4L 5V3
 Phone: (905) 851-6701 • Fax: (905) 851-8376
 Email: info@reversomatic.com

U.S.A.: 2555 Porter Lake Drive, Suite 103
 Sarasota, Florida 34240
 Phone: (941) 870-2320; (800) 499-5073
 Fax: (941): 870-0652 Email info-us@reversomatic.com

INTERCHANGEABLE WALL CAP - FRESH AIR KIT INSTALLATION



STEP 1: Insert Fly Screen as shown



STEP 2: Move Fly Screen forward, placing back edge under lips, shown in circle



STEP 3: Move Fly Screen backward, placing back edge under front partition



STEP 4: Line up screw holes & secure Fly Screen with screw



STEP 5: Insert Bird Screen as shown



STEP 6: Secure Bird Screen with st. steel screws



FINAL: FRESH AIR WALL CAP READY FOR USE



REVERSOMATIC
MANUFACTURING LIMITED
www.reversomatic.com

CANADA: 790 Rowntree Dairy Road
Woodbridge, Ontario L4L 5V3
Phone: (905) 851-6701 • Fax: (905) 851-8376
Email: info@reversomatic.com

U.S.A.: 2555 Porter Lake Drive, Suite 103
Sarasota, Florida 34240
Phone: (941) 870-2320; (800) 499-5073
Fax: (941): 870-0652 Email info-us@reversomatic.com

INTERCHANGEABLE WALL CAP - EXHAUST AIR KIT INSTALLATION



Aluminium
Back Draft
Damper

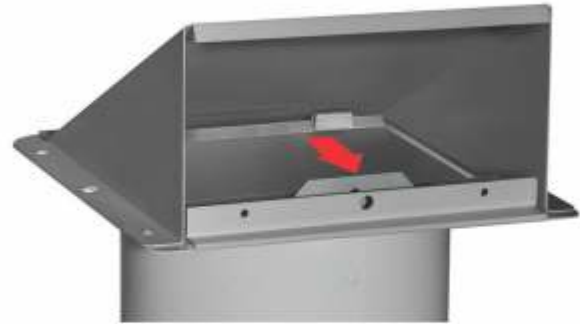
Bird Screen
(not recommended for dryer exhaust)



STEP 1: Insert Draft Damper as shown



STEP 2: Move Damper forward,
placing back edge under lips, shown in circle



STEP 3: Move Damper backward, placing
back edge under front partition



STEP 4: Line up screw holes &
secure damper with screw



STEP 5: Insert Bird Screen as shown
(Bird Screen is not recommended for dryer exhaust)



STEP 6: Secure Bird Screen with st. steel screws



FINAL: EXHAUST AIR WALL CAP READY FOR USE



REVERSOMATIC
MANUFACTURING LIMITED
www.reversomatic.com

CANADA: 790 Rowntree Dairy Road
Woodbridge, Ontario L4L 5V3
Phone: (905) 851-6701 • Fax: (905) 851-8376
Email: info@reversomatic.com

U.S.A.: 2555 Porter Lake Drive, Suite 103
Sarasota, Florida 34240
Phone: (941) 870-2320; (800) 499-5073
Fax: (941): 870-0652 Email info-us@reversomatic.com

ROOF CAP EXHAUST (RCE) and INTAKE (RCI)

Heavy Gauge Steel or Aluminum



ROOF CAP EXHAUST Model "RCE"

Complete with back draft damper and bird screen. Suitable for exhaust fans. Mounted on flat or pitch roof.

ROOF CAP INTAKE Model "RCI"

Complete with bird screen. Suitable for fresh air intake. Mounted on flat or pitch roof.

Sizes 4" to 12" dia. are in stock, larger sizes are available upon request.

When ordering specify:

RCE - for **Exhaust**

RCI - for air **Intake**

RCES or RCIS - for Satin coated steel add "**S**"

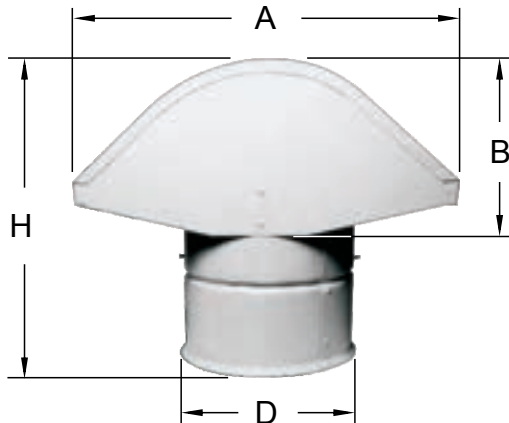
RCEA or RCIA - for Aluminum add "**A**"

Reversomatic Manufacturing Ltd.

790 Rowntree Dairy Road, Woodbridge, ON Canada L4L 5V3 • Tel: 905-851-6701 • Fax: 905-851-8376
www.reversomatic.com • info@reversomatic.com

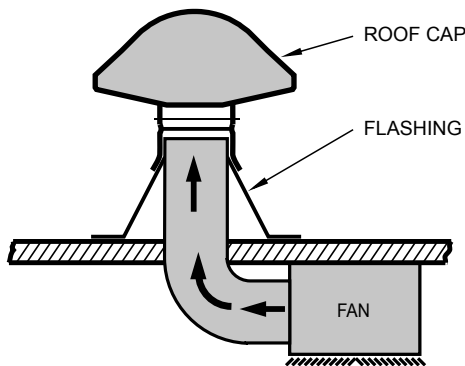
ROOF CAP RCES, RCIS, RCEA, RCIA

DIMENSION:

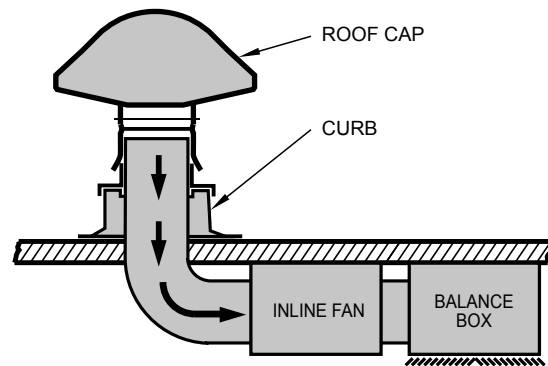


	D	A	B	H
STOCK	4"	12"	5.375"	9"
	6"	12"	5.375"	9"
	8"	18"	6.875"	11.5"
	10"	21"	7.875"	15"
	12"	24"	8.875"	16"
SPECIAL	14"	27"	9.875"	17"
	16"	30"	10.875"	18"
	20"	33"	12.875"	20"
	24"	36"	14.875"	22"

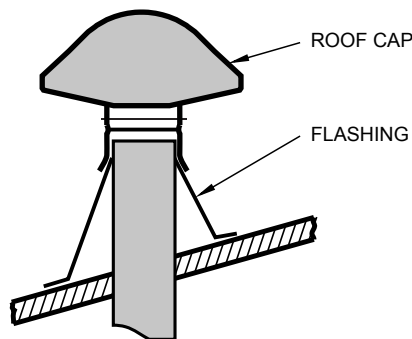
TYPICAL INSTALLATION



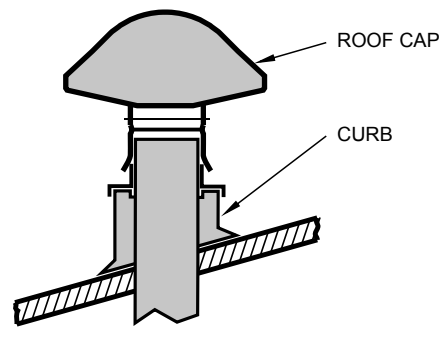
FLASHING INSTALLATION
ON FLAT ROOF



CURB INSTALLATION ON FLAT ROOF



FLASHING INSTALLATION
ON PITCH ROOF



CURB INSTALLATION
ON PITCH ROOF

Contractor:		ROOF CAP _____		
Architect:	Job:	Date	Supersedes	Drawing No.
Engineer:	Date Submitted:			

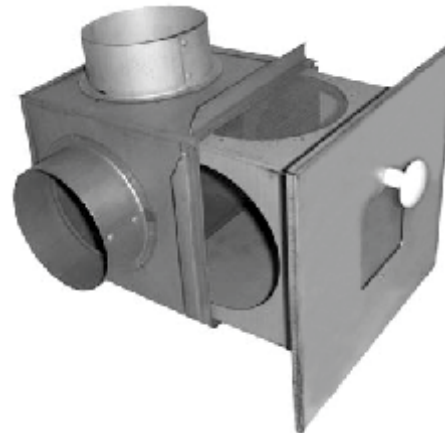
Reversomatic Manufacturing Ltd.

790 Rowntree Dairy Road, Woodbridge, ON Canada L4L 5V3 • Tel: 905-851-6701 • Fax: 905-851-8376
www.reversomatic.com • info@reversomatic.com

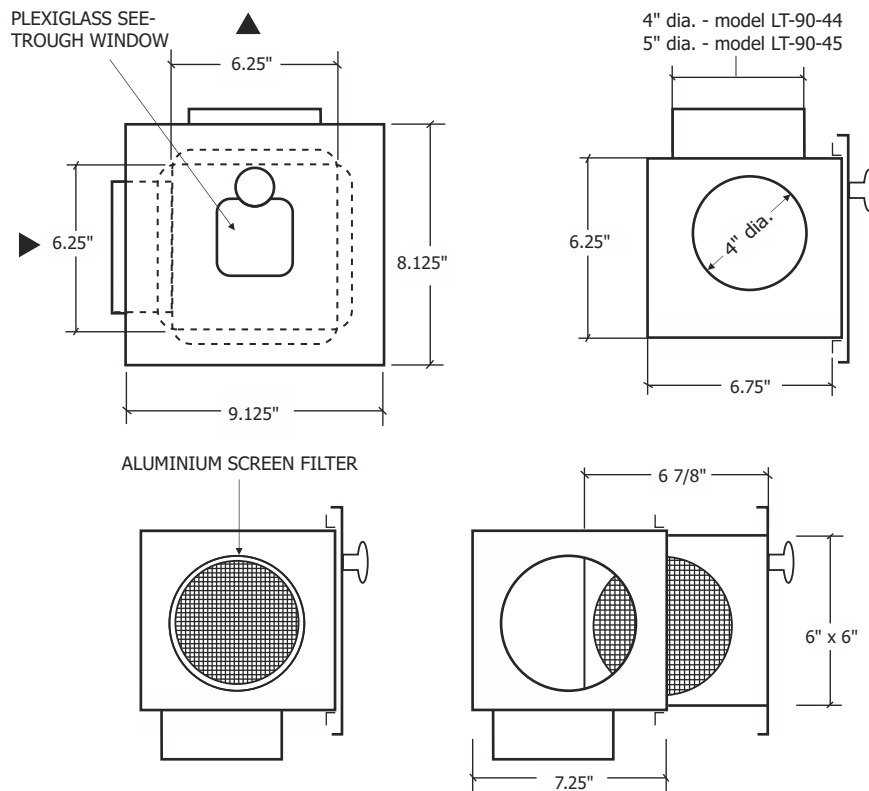


**LINT TRAP
FOR DRYWALL INSTALLATION
(WALL MOUNTED)**

LT-90 lint trap has 4" dia. inlet for dryer connection and 5" dia. outlet - model LT-90-45, 4" dia. outlet - model LT-90-44. Specify when ordering.



DIMENSIONS:



Special sizes are available upon request

Contractor:	LT-90-44, LT-90-45		
Architect:	Date	Supersedes	Drawing No.
Engineer:			

Reversomatic Manufacturing Ltd.

790 Rowntree Dairy Road, Woodbridge, ON Canada L4L 5V3 • Tel: 905-851-6701 • Fax: 905-851-8376
www.reversomatic.com • info@reversomatic.com



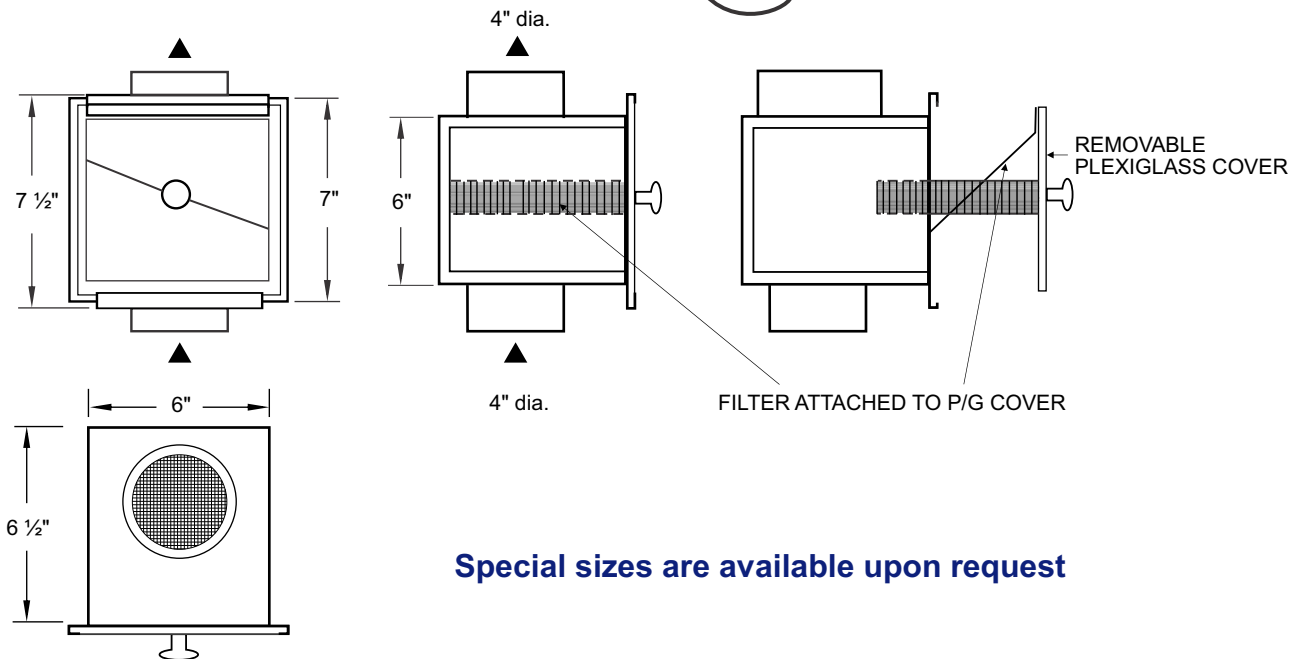
**LINT TRAP
SURFACE MOUNTED**

LT-180 is equipped with filter frame attached to the removable door for easy operation. Model LT180-45 lint trap has 4" dia. inlet for dryer connection and 5" dia. outlet for better performance. Also available in 4" dia. outlet (Model # LT-180-44). Please specify when ordering.



New Filter for better Performance

DIMENSIONS:



Special sizes are available upon request

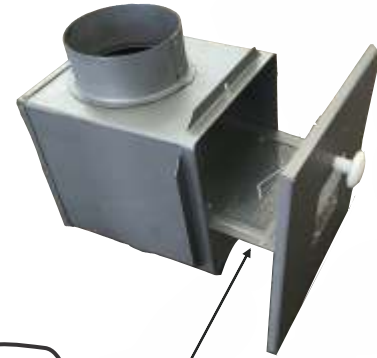
Contractor:		LT-180		
Architect:	Job:	Date	Supersedes	Drawing No.
Engineer:	Date Submitted:			



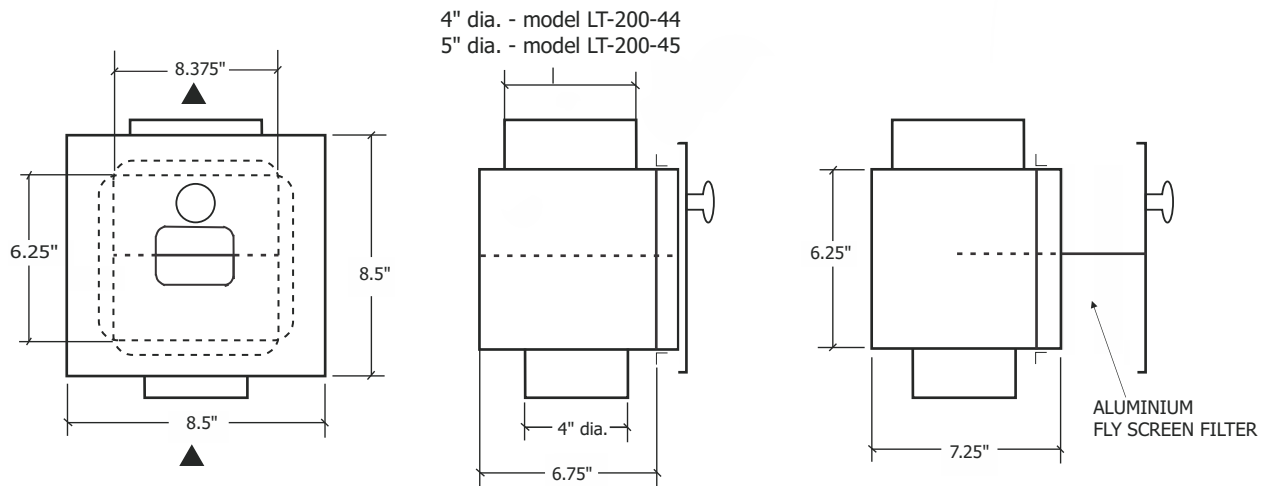
**LINT TRAP
FOR DRYWALL INSTALLATION
CEILING OR WALL MOUNTED**

Model LT-200-45 lint trap has 4" dia. inlet for dryer connection and 5" dia. outlet for better performance.

Also available in 4" dia. outlet. (Model LT- 200-44)
Specify when ordering.



DIMENSION:



Special sizes are available upon request

Contractor:	LT-200-44, LT-200-45		
Architect:	Date	Supersedes	Drawing No.
Engineer:			

Reversomatic Manufacturing Ltd.

790 Rowntree Dairy Road, Woodbridge, ON Canada L4L 5V3 • Tel: 905-851-6701 • Fax: 905-851-8376
www.reversomatic.com • info@reversomatic.com



LT-300-44, LT-300-45

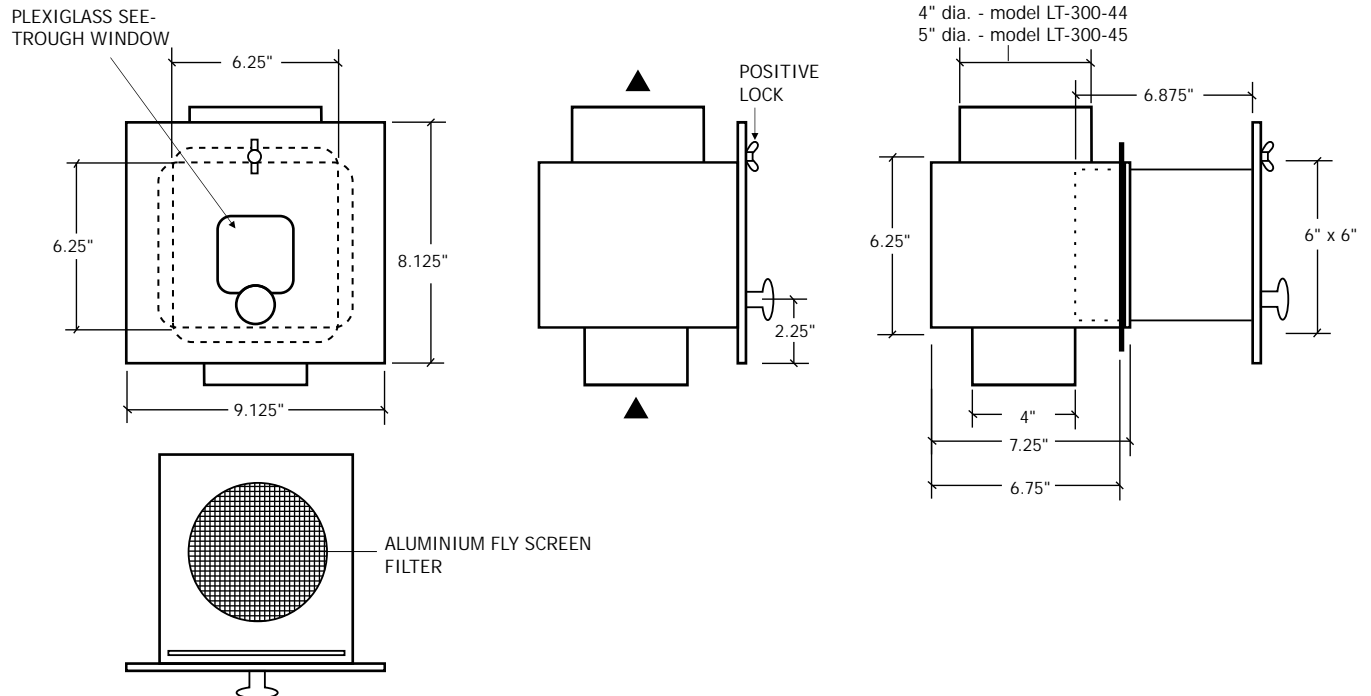
September 1992

LINT TRAP FOR DRYWALL INSTALLATION CEILING OR WALL MOUNTED

LT-300 lint trap has 4" dia. inlet for dryer connection and 5" dia. outlet for better performance.
Also available in 4" dia. outlet.
(Specify when ordering)
Removable filter unit secured in position with positive lock.



DIMENSIONS:



Special sizes are available upon request

Contractor:	LT-300-44, LT-300-45		
Architect:	Date	Supersedes	Drawing No.
Engineer:			

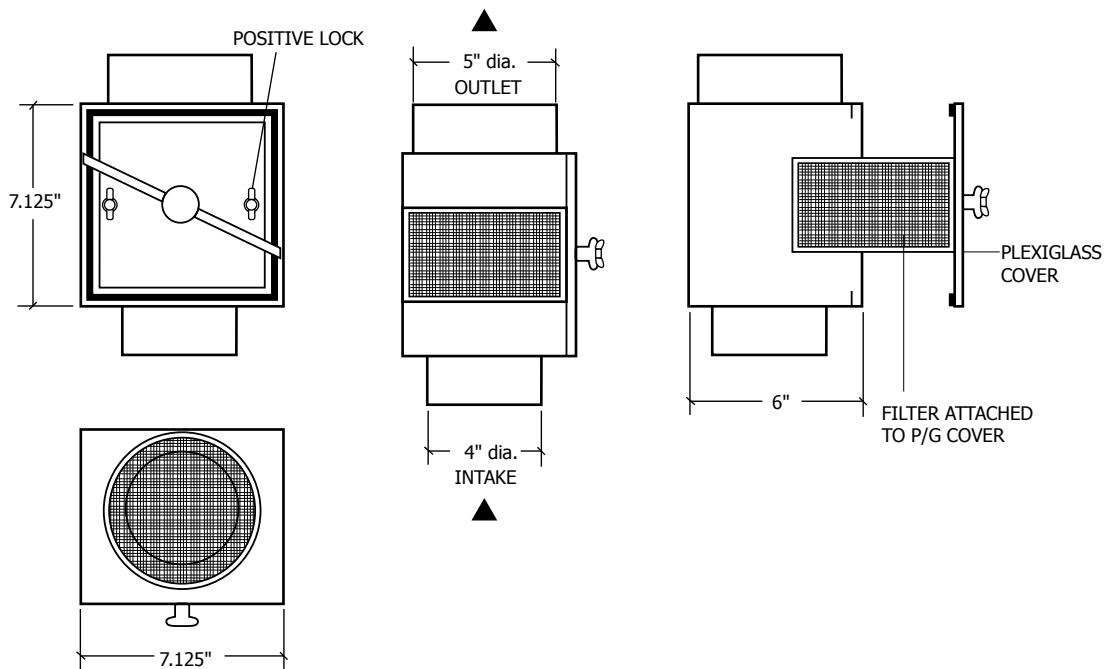
Reversomatic Manufacturing Ltd.

790 Rowntree Dairy Road, Woodbridge, ON Canada L4L 5V3 • Tel: 905-851-6701 • Fax: 905-851-8376
www.reversomatic.com • info@reversomatic.com



**LINT TRAP
SURFACE OR DRYWALL MOUNTED
WITH NO ROUGH EDGES**

LT-250-45 equipped with filter frame attached to the removable see-through door for easy operation. It also locks the gasketed door with two latches that makes it totally air tight.



Special sizes are available upon request

Contractor:		LT-250-45		
Architect:	Job:	Data	Supersedes	Drawing NO.
Engineer:	Date Submitted:			

Reversomatic Manufacturing Ltd.



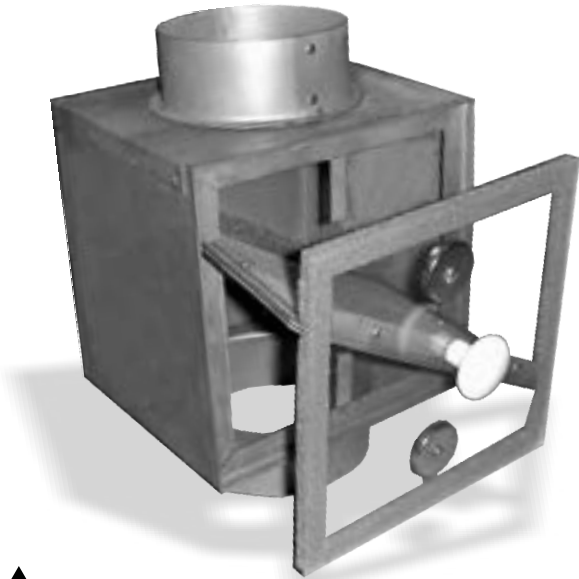
LT-250M-45

c/w Magnet

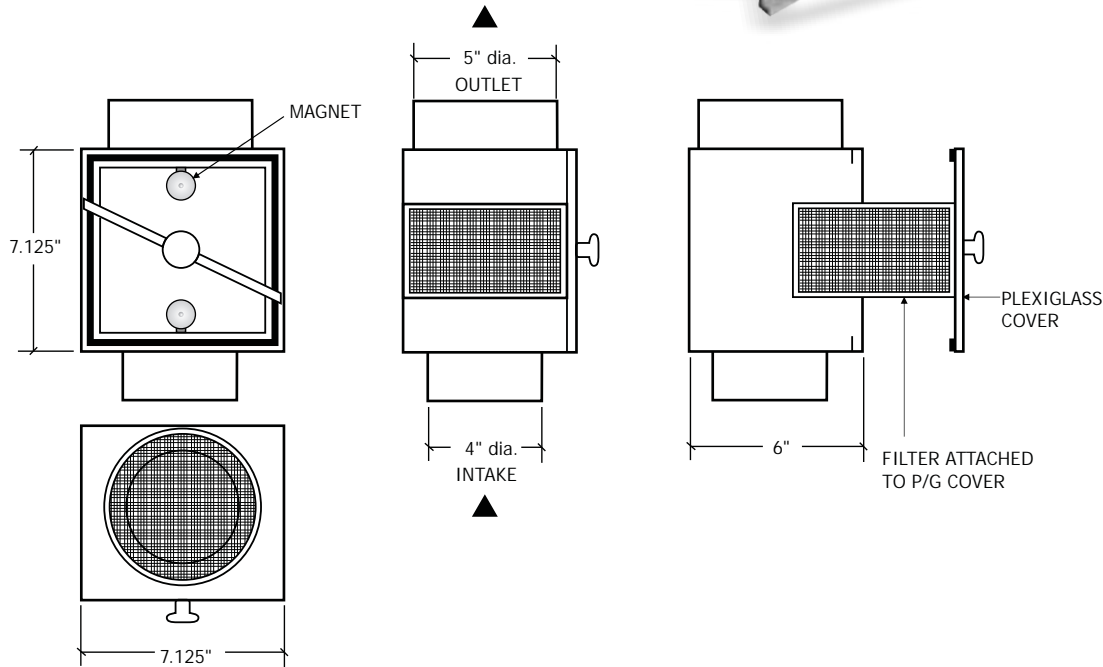
LINT TRAP FOR SURFACE OR DRYWALL MOUNTED WITH NO ROUGH EDGES

The LT-250M-45 c/w magnet is equipped with a filter frame which is attached to a removable see-through door for easy operation.

The filter door is locked by using two heavy duty magnets to make it totally air-tight.



DIMENSIONS:



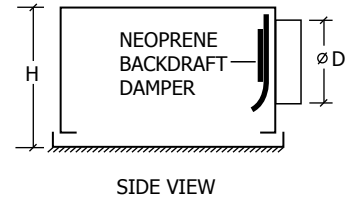
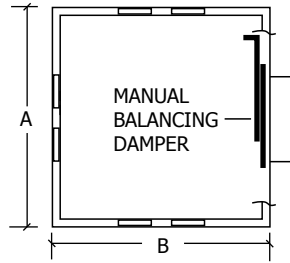
Special sizes are available upon request

Contractor:	LT-250M-45 c/w MAGNET		
Architect:	Date	Supersedes	Drawing No.
Engineer:			



ACCESSORIES BALANCE BOX MODELS: GB-4, GB-5, GB-6

September, 2008



DIMENSION DATA XL SERIES (10"x10")

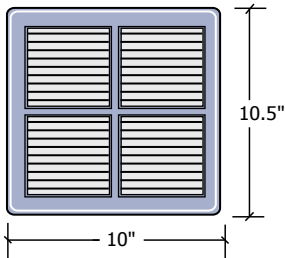
MODEL	AxB	H	D
GB-4 XL	10x10	7.5	4
GB-5 XL	10x10	7.5	5
GB-6 XL	10x10	7.5	6

DIMENSION DATA EB SERIES (8"x9")

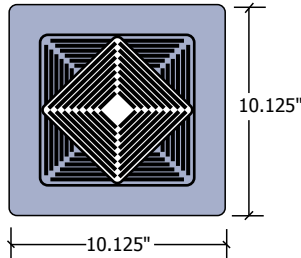
MODEL	AxB	H	D
GB-4 EB	8x9	7.125	4
GB-5 EB	8x9	7.125	5

All dimensions are shown in inches.
Custom sizes are available upon request

GRILLES AVAILABLE FOR **EB SERIES** BALANCE BOX

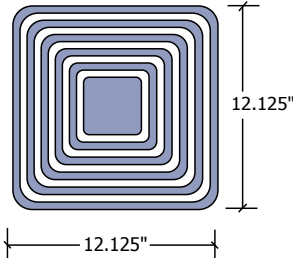


OFF WHITE ALUMINUM LOUVERED GRILLE

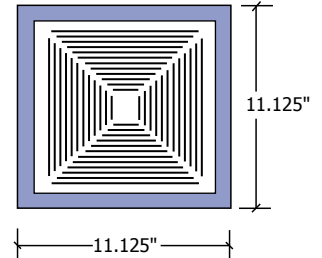


PLASTIC GRILLE (optional)

GRILLES AVAILABLE FOR **XL SERIES** BALANCE BOX



PLASTIC GRILLE (optional)



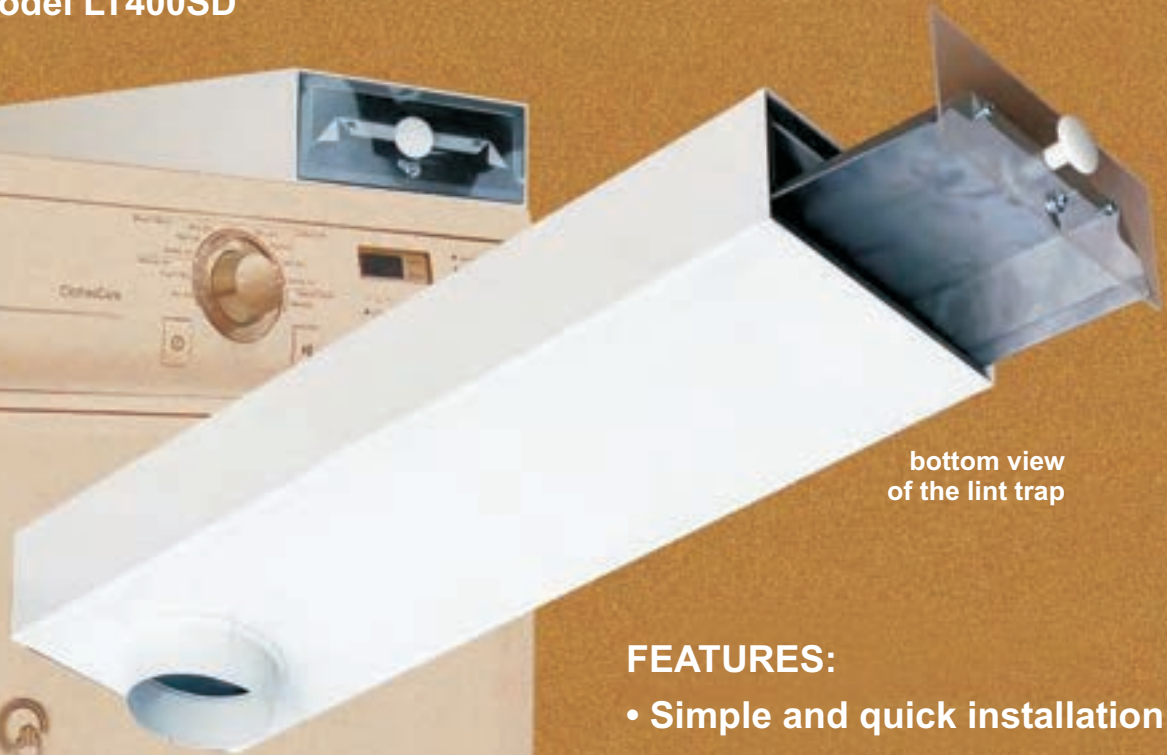
OFF WHITE ALUMINUM LOUVERED GRILLE

Contractor:		Balance boxes: GB-4, GB-5, GB-6		
Architect:	Job:	Data	Supersedes	Drawing NO.
Engineer:	Date Submitted:			

Reversomatic Manufacturing Ltd.

LINT TRAP FOR STACKER DRYER

Model LT400SD



bottom view
of the lint trap

FEATURES:

- Simple and quick installation
- 38 sq. inch filtering area increases dryer efficiency
- Stainless steel filter screen for long life
- Available in 4" & 5" dia. sizes outlet
- Viewing Plexiglass
- Oven baked finish
- Easy to clean
- Positive lock



Sept. 2008

top view
of the lint trap



REVERSOMATIC
MANUFACTURING LIMITED

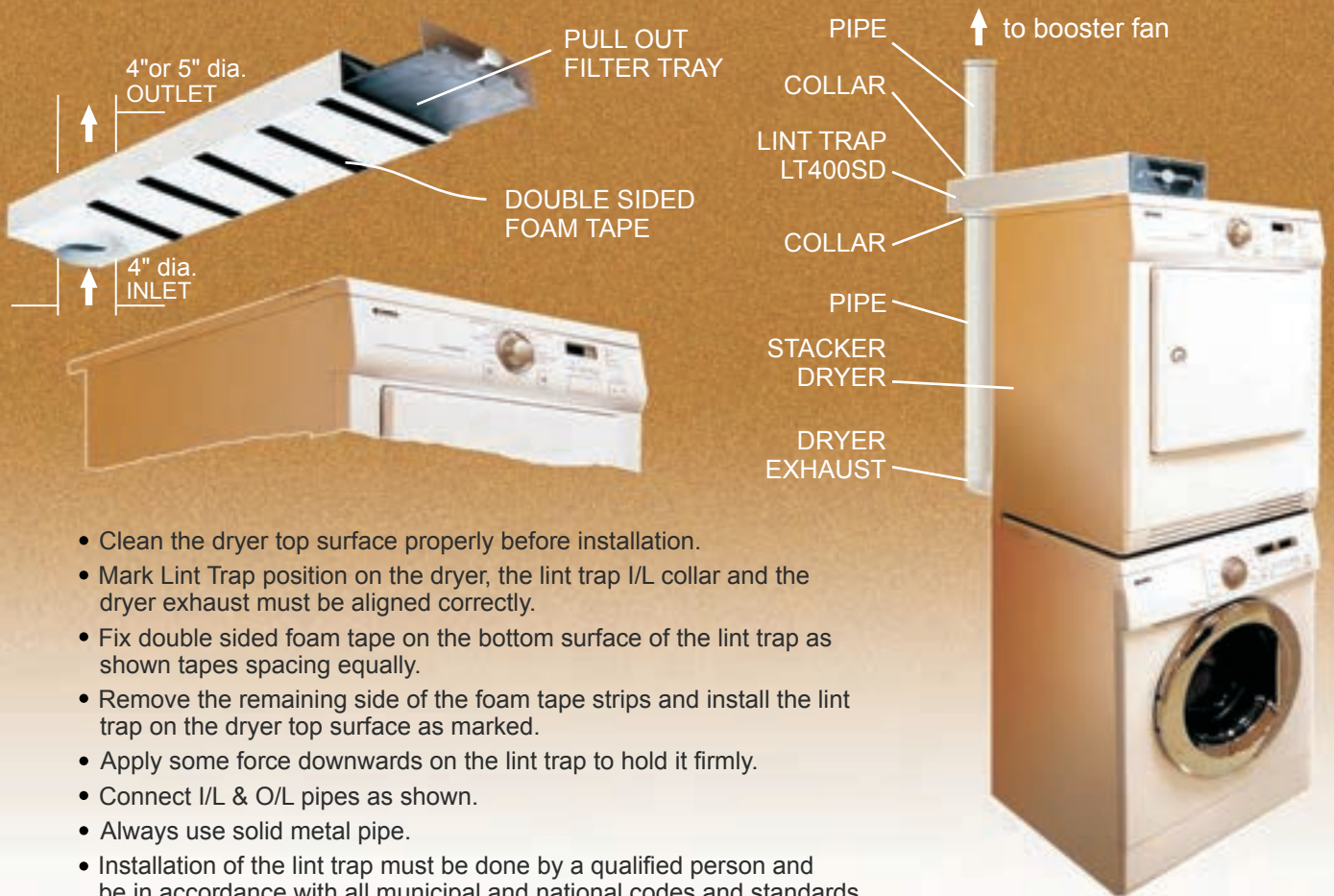
790 Rowntree Dairy Road, Woodbridge, ON Canada L4L 5V3 • Tel: 905-851-6701 • Fax: 905-851-8376
Toll Free: 1.800.810.3473 (Canada) • 1.866.890.6457 (U.S.A.) • email: info@reversomatic.com
www.reversomatic.com

LINT TRAP FOR STACKER DRYER

Model LT400SD



INSTALLATION INSTRUCTIONS



IMPORTANT: CLEAN LINT TRAP BEFORE EVERY DRYER CYCLE



REVERSOMATIC
MANUFACTURING LIMITED

790 Rowntree Dairy Road, Woodbridge, ON Canada L4L 5V3
Tel: 905-851-6701 • Fax: 905-851-8376
Toll Free: 1.800.810.3473 (Canada) • 1.866.890.6457 (U.S.A.)
email: info@reversomatic.com • www.reversomatic.com



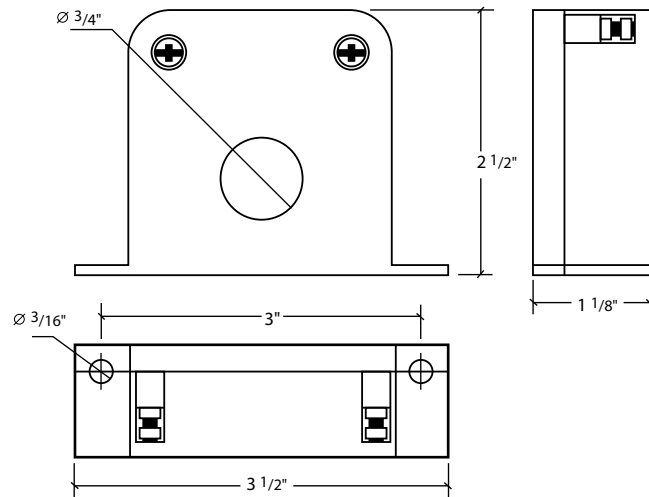
**DRYER AMP SENSOR FAN CONTROL
WITH SURGE PROTECTION**

This controller senses when a clothes dryer is drawing 1.2 AMP of current. When this occurs a relay contact closes turning the dryer vent booster fan "ON". When current drops below the 2 AMP threshold the relay contacts open turning the booster fan "OFF".

The sensor is designed to mount in a standard electrical box. The AMP Sensor may be placed in an electrical box adjacent to the junction box in which the wires supplying power to the dryer are located (see back of this page). The dryer supply neutral (white) wire passes through the center of the AMP Sensor donut. No physical connection is made.

NOTE:

Installation by a licensed electrician is recommended. Installation and use of this equipment should be in accordance with provisions of the national electrical code. Applicable local codes and pertinent industry standards should be verified before installation.



SPECIFICATIONS

Action Current Range:	1.20-60 AMP-turns
AC Conductor Hole:	19 mm (0.75") diameter
Trip Set-Point:	Pre-set at approximately 1.2A
Switch Rating:	120 VAC 3.5A max.
Output Type:	Triac with volts surge protected design
Operating Temperature:	-5 ~ +40° C (23 ~ 104° F)
Operating Humidity:	0 ~ 99%
Dimensions:	H63 x W89 x D28 mm (2.5" x 3.5" x 1.1")
Mounting Holes:	2 x 5 mm (2 x 0.19") holes spaced 76 mm (3") on base
Leakage Current:	< 1 mA
Manufacturing Process:	ISO 9001 Certified
Standards Met:	CSA No.14-2005 edition, UL 508, FCC, IEEE 62.41-1991

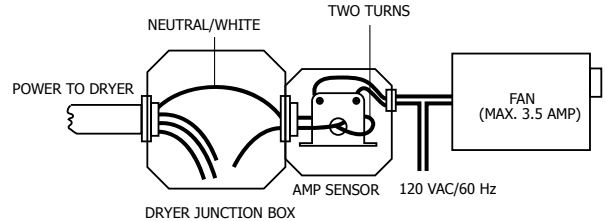
TURN POWER OFF AT CIRCUIT BREAKER OR FUSE PANEL BEFORE INSTALLATION

INSTALLATION INSTRUCTIONS

INSTALLATION TYPE 1

(at dryer junction box)

1. Attach electrical junction box to the dryer junction box.
2. Disconnect and loop neutral (white) dryer power supply wire through center of sensor as shown then back to the dryer junction box and re-connect.
3. Mount sensor in the electrical box (two holes may have to be drilled for mounting).
4. Connect fan 120 VAC power supply to the top (relay) terminals of the sensor.



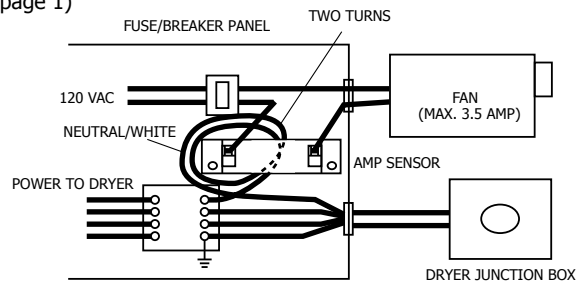
NOTE:

If the dryer cooling motor is less than 0.6 AMP, you may have to increase numbers of turns to operate AMP Sensor switch. But make sure numbers of turns multiply by dryer max. input current (AMP) must be less than 60 AMP (see action current range on page 1)

INSTALLATION TYPE 2

(at fuse/breaker panel)

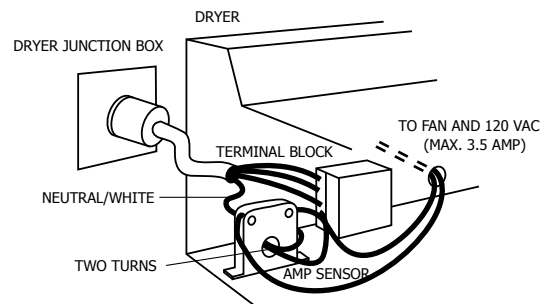
1. Mount sensor at a convenient location on the fuse/breaker panel.
2. Disconnect and loop neutral (white) dryer power supply wire through center of sensor then re-connect.
3. Connect fan 120 VAC power supply to the top (relay) terminals of the sensor.



INSTALLATION TYPE 3

(inside dryer compartment)

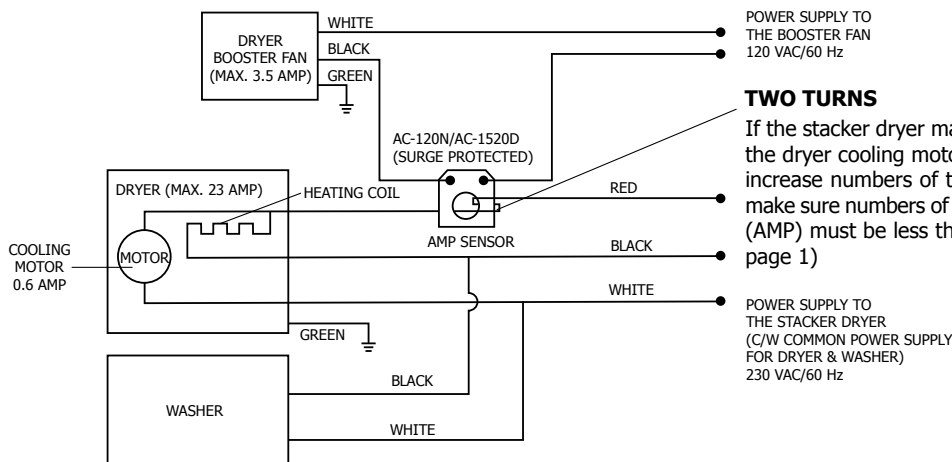
1. Mount sensor in a convenient location inside the dryer connection compartment.
2. Disconnect and loop neutral (white) dryer power supply wire through center then re-connect.
3. Connect fan 120 VAC power supply to the top (relay) terminals of the sensor.



INSTALLATION TYPE 4

(for stacker dryer C/W common power supply - US only)

Stacker Dryer that has separate power supply for dryer and washer, use instruction 1, 2 or 3.



TWO TURNS

If the stacker dryer max. input current is less than 20 AMP and the dryer cooling motor is less than 0.6 AMP, you may have to increase numbers of turns to operate AMP Sensor switch. But make sure numbers of turns multiply by dryer max. input current (AMP) must be less than 60 AMP (see action current range on page 1)

Reversomatic Manufacturing Ltd.

790 Rowntree Dairy Road, Woodbridge, ON Canada L4L 5V3 • Tel: 905-851-6701 • Fax: 905-851-8376

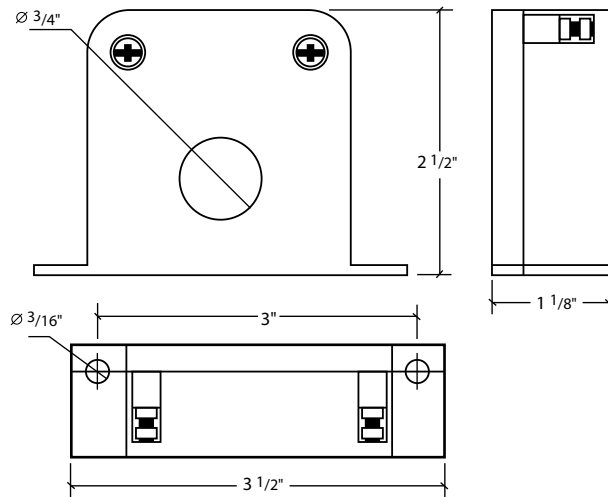
www.reversomatic.com • info@reversomatic.com



**DRYER AMP SENSOR FAN CONTROL
WITH SURGE PROTECTION AND TIME
DELAYED "SHUT-DOWN"**

The DAS-250 Dryer Fan Control is a solid-state N.O. high current AC switch that operates a dryer booster fan directly. This device senses when a clothes dryer is drawing 1.2 Amp. of current and then closes the output switch to activate the dryer vent booster fan. When the dryer cycle is complete and the current drops below the threshold, the output switch will remain closed for 5 minutes to allow heat to be removed from the vent before the switch is opened again. The DAS-250 requires no field adjustments and only two wire connections for easy installation. The device output will switch loads at 120 VAC and 3.5 Amp. maximum. The internal circuits of DAS-250 are totally powered by induction from the line being monitored and all units are CSA Certified to Canadian and US Standards. The high current switch with surge voltage protection meet IEEE 62.41-1991 standards.

The sensor is designed to mount in a standard electrical box. The AMP Sensor may be placed in an electrical box adjacent to the junction box in which the wires supplying power to the dryer are located (see back of this page). The dryer supply neutral (white) wire passes through the center of the AMP Sensor donut. No physical connection is made.



SPECIFICATIONS

Action Current Range:	1.20-60 Amp.-turns
AC Conductor Hole:	19 mm (0.75") diameter
Trip Set-Point:	Pre-set at approximately 1.2A
Switch Rating:	120 VAC 3.5A max.
Output Type:	Triac with volts surge protected design
Output Off Delay Time:	4.5 - 5 minutes
Operating Temperature:	-5 ~ +40° C (23 ~ 104° F)
Operating Humidity:	0 ~ 99%
Dimensions:	H63 x W89 x D28 mm (2.5" x 3.5" x 1.1")
Mounting Holes:	2 x 5 mm (2 x 0.19") holes spaced 76 mm (3") on base
Leakage Current:	< 1 mA
Manufacturing Process:	ISO 9001 Certified
Standards Met:	CSA No.14-2005 edition, UL 508, FCC, IEEE 62.41-1991

NOTE:

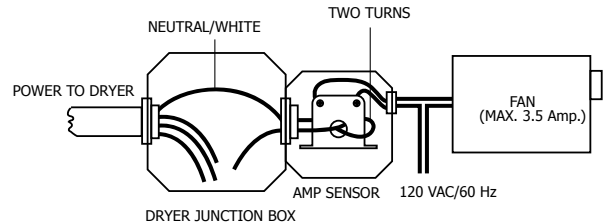
Installation by a licensed electrician is recommended. Installation and use of this equipment should be in accordance with provisions of the national electrical code. Applicable local codes and pertinent industry standards should be verified before installation.

TURN POWER OFF AT CIRCUIT BREAKER OR FUSE PANEL BEFORE INSTALLATION

INSTALLATION INSTRUCTIONS

**INSTALLATION TYPE 1
(at dryer junction box)**

1. Attach electrical junction box to the dryer junction box.
2. Disconnect and loop neutral (white) dryer power supply wire through center of sensor as shown then back to the dryer junction box and re-connect.
3. Mount sensor in the electrical box (two holes may have to be drilled for mounting).
4. Connect fan 120 VAC power supply to the top (relay) terminals of the sensor.

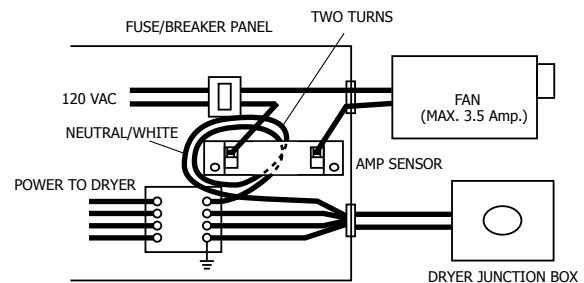


NOTE:

If the dryer cooling motor is less than 0.6 Amp., you may have to increase numbers of turns to operate AMP Sensor switch. But make sure numbers of turns multiply by dryer max. input current (AMP) must be less than 60 Amp. (see action current range on page 1)

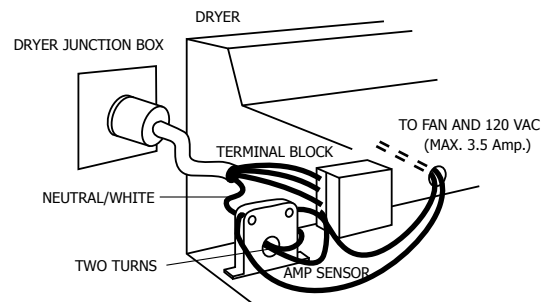
**INSTALLATION TYPE 2
(at fuse/breaker panel)**

1. Mount sensor at a convenient location on the fuse/breaker panel.
2. Disconnect and loop neutral (white) dryer power supply wire through center of sensor then re-connect.
3. Connect fan 120 VAC power supply to the top (relay) terminals of the sensor.



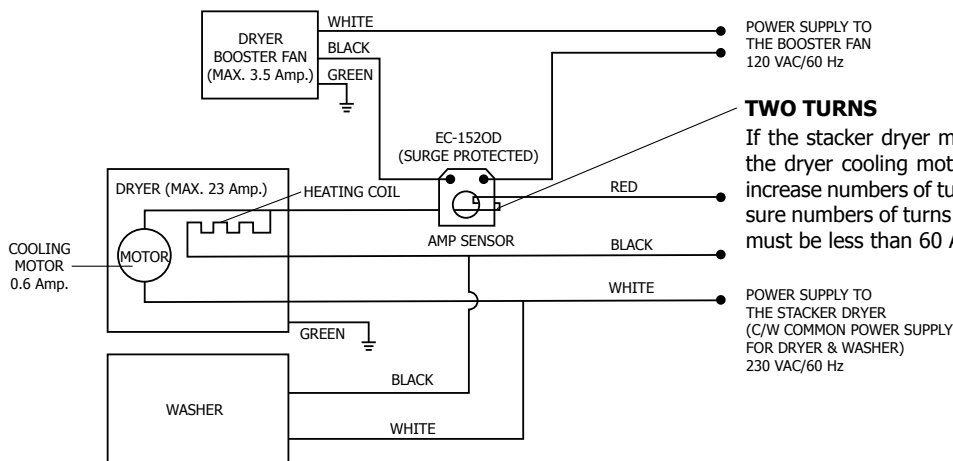
**INSTALLATION TYPE 3
(inside dryer compartment)**

1. Mount sensor in a convenient location inside the dryer connection compartment.
2. Disconnect and loop neutral (white) dryer power supply wire through center then re-connect.
3. Connect fan 120 VAC power supply to the top (relay) terminals of the sensor.



**INSTALLATION TYPE 4
(for stacker dryer C/W common power supply - US only)**

Stacker Dryer that has separate power supply for dryer and washer, use instruction 1, 2 or 3.



TWO TURNS

If the stacker dryer max. input current is less than 20 Amp. and the dryer cooling motor is less than 0.6 Amp., you may have to increase numbers of turns to operate AMP Sensor switch. But make sure numbers of turns multiply by dryer max. input current (Amp.) must be less than 60 Amp. (see action current range on page 1)

Reversomatic Manufacturing Ltd.

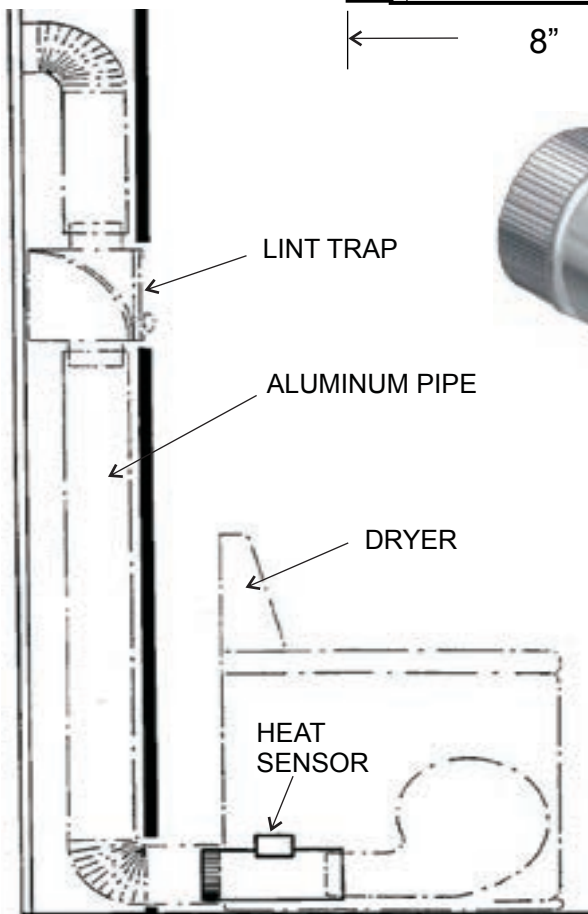
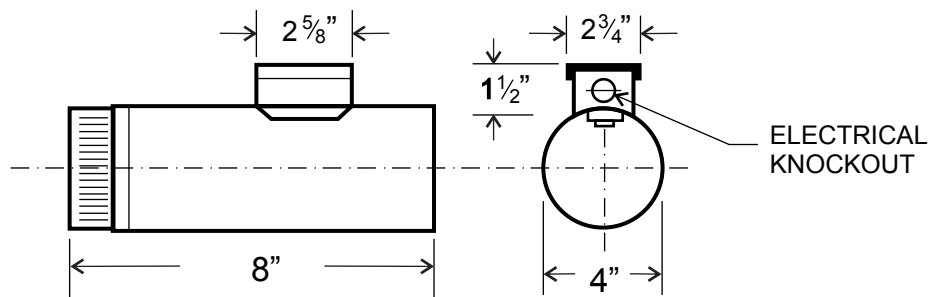
INSTALLATION INSTRUCTIONS

TURN POWER OFF AT CIRCUIT BREAKER OR FUSE PANEL

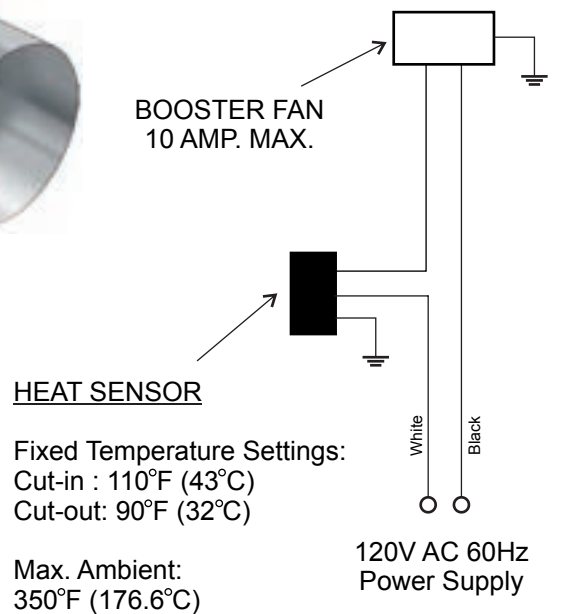
1. Disconnect dryer vent pipe. Dryer back access panel may need to be removed to install Heat Sensor.
2. Connect Heat Sensor pipe to the dryer and the dryer vent pipe as shown in the drawing.
3. Connect Heat Sensor to booster fan and 120V AC supply as shown in the wiring diagram.
4. Installation by a licensed electrician is recommended. Installation and use of this equipment should be in accordance with provisions of the national electrical code. Applicable local codes and pertinent industry standards should be verified before installation.

NOTE:

Booster Fan will operate only if temp. in the dryer vent pipe is 90°F min.



WIRING DIAGRAM



REVERSOMATIC
MANUFACTURING LIMITED

790 Rowntree Dairy Road, Woodbridge ON, Canada L4L 5V3
Tel: 905-851-6701 • Fax: 905-851-8376 • info@reversomatic.com

www.reversomatic.com

NO MORE WORRIES ABOUT LINT & HUMIDITY DUE TO FAN FAILURE

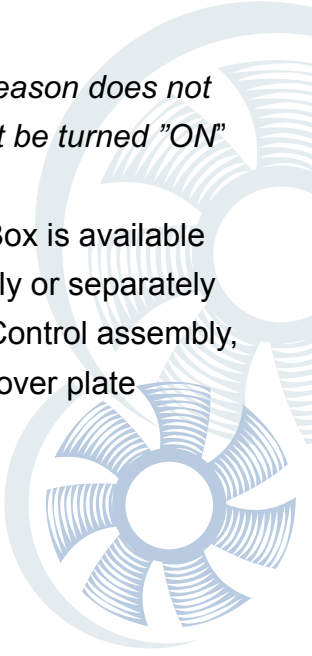


Dryer Starter Control DSC300-115 is a pre-wired unit with dryer plug for easy and simple installation for the electrician. This control works in conjunction with the booster fan. When booster fan is in "ON" it will engage power to the starter control box and only then the dryer can be turned "ON".

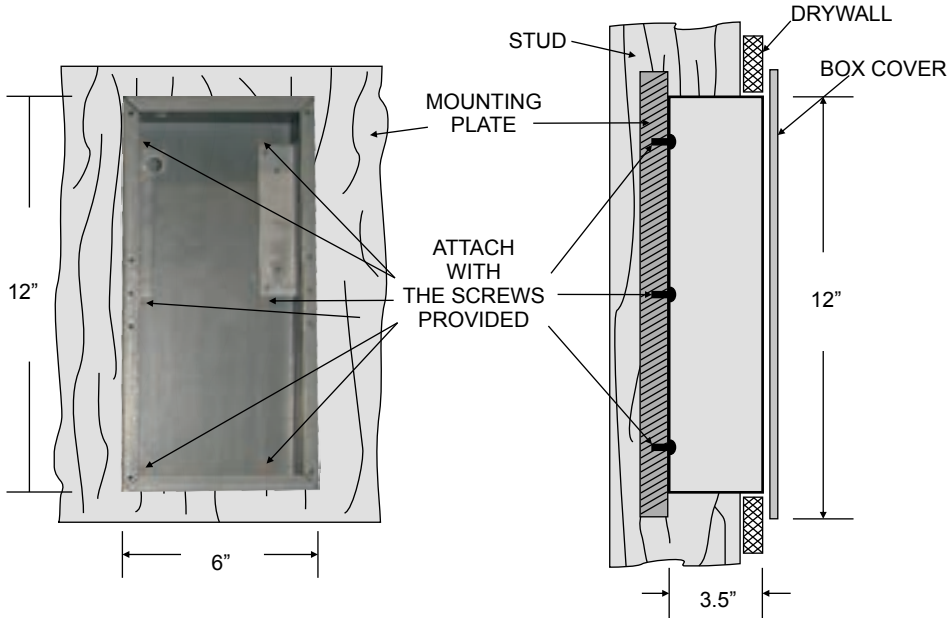
NOTE:

If booster fan for any reason does not work, the dryer can not be turned "ON"

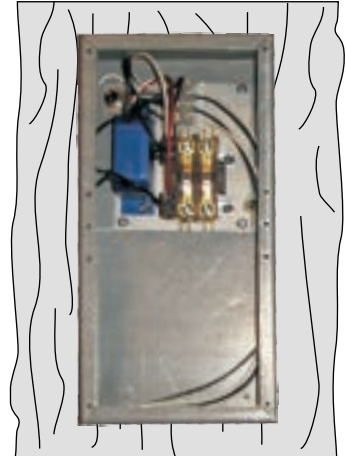
Dryer Starter Control Box is available as a complete assembly or separately packed rough in box. Control assembly, dryer receptacle and cover plate separately packed.



STEP 1 : Install rough-in starter control box and provide power supply



STEP 2: Install Control Assembly



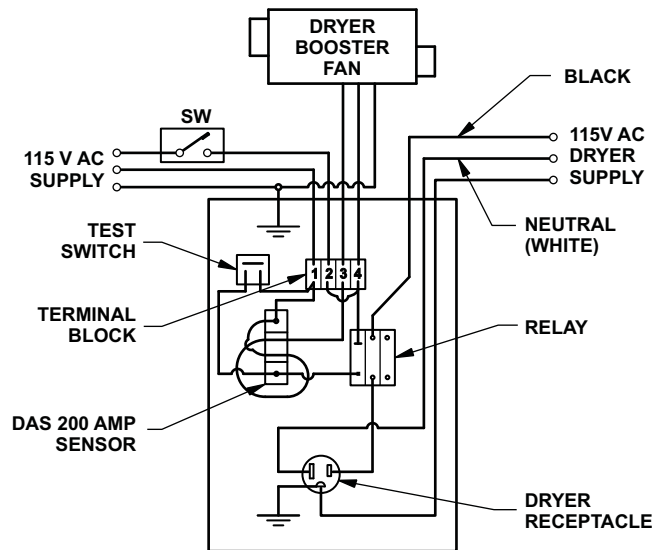
FAN : 120V, 60Hz, 15A max.
DRYER : 120V, 60Hz, 15A max.

STEP 3: Install dryer receptacle



NOTE: DSC300-115 is also available for 115V, 20 Amp. dryer. Contact factory

STEP 4: Connect Power Supply



SCHEMATIC WIRING DIAGRAM

STEP 5: Install Cover Plate



WARNING :

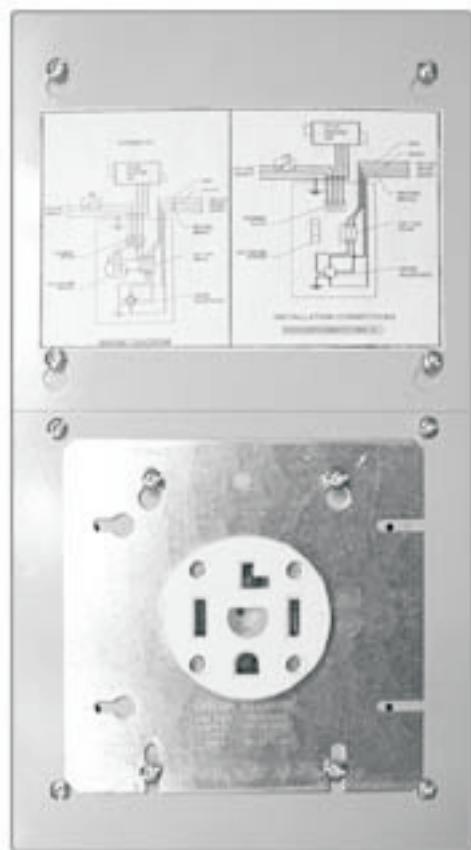
Installation of these units and the corresponding electrical wiring must be done by a qualified person and be in accordance with all municipal and national codes and standards.

Before wiring or servicing the units, switch power off at the service panel and lock it. If service panel is unlocked others could turn the power ON unexpectedly and cause fatal electric shock to the installer or service person.

Reversomatic Manufacturing Ltd.

790 Rowntree Dairy Road, Woodbridge, ON Canada L4L 5V3 • Tel: 905-851-6701 • Fax: 905-851-8376
www.reversomatic.com • info@reversomatic.com

NO MORE WORRIES ABOUT LINT & HUMIDITY DUE TO FAN FAILURE



Dryer Starter Control DSC300-240 is a pre-wired unit with dryer plug for easy and simple installation for the electrician. This control works in conjunction with the booster fan. When booster fan is in "ON" it will engage power to the starter control box and only then the dryer can be turned "ON".

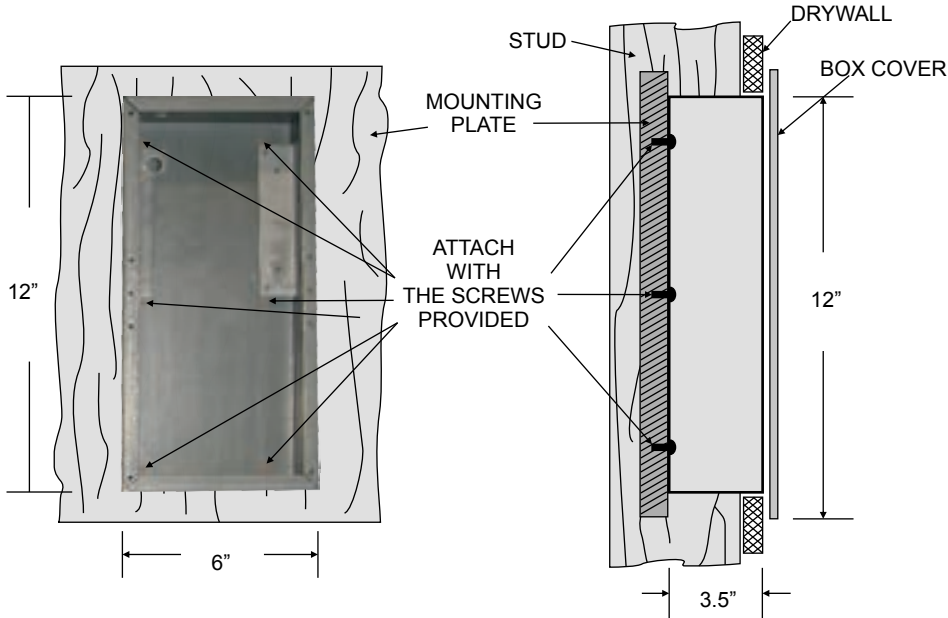
NOTE:

If booster fan for any reason does not work, the dryer can not be turned "ON"

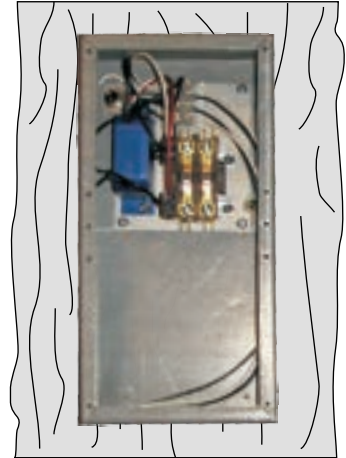
Dryer Starter Control Box is available as a complete assembly or separately packed rough in box. Control assembly, dryer receptacle and cover plate separately packed.



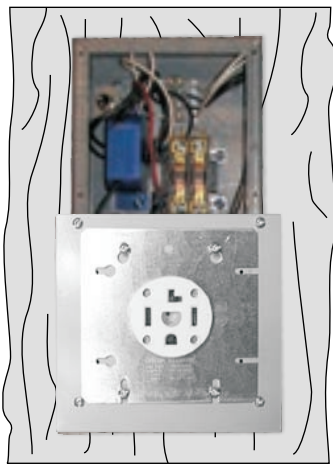
STEP 1 : Install rough-in starter control box and provide power supply



STEP 2: Install Control Assembly

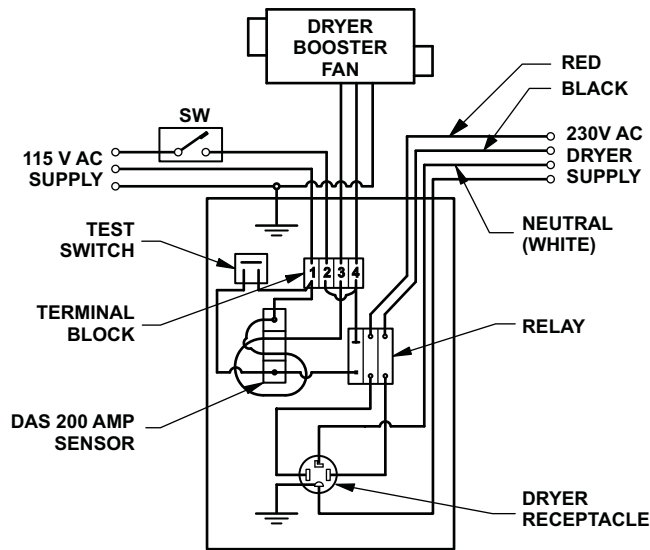


STEP 3: Install dryer receptacle



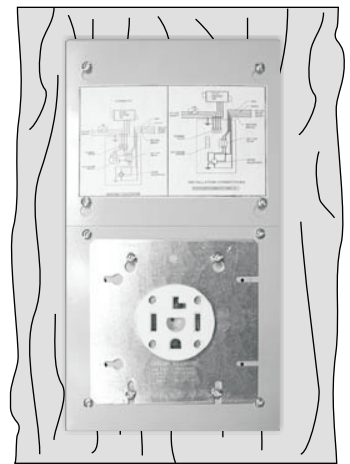
FAN : 120V, 60Hz, 15A max.
DRYER : 240V, 60Hz, 30A max.

STEP 4: Connect Power Supply



SCHEMATIC WIRING DIAGRAM

STEP 5: Install Cover Plate



WARNING :

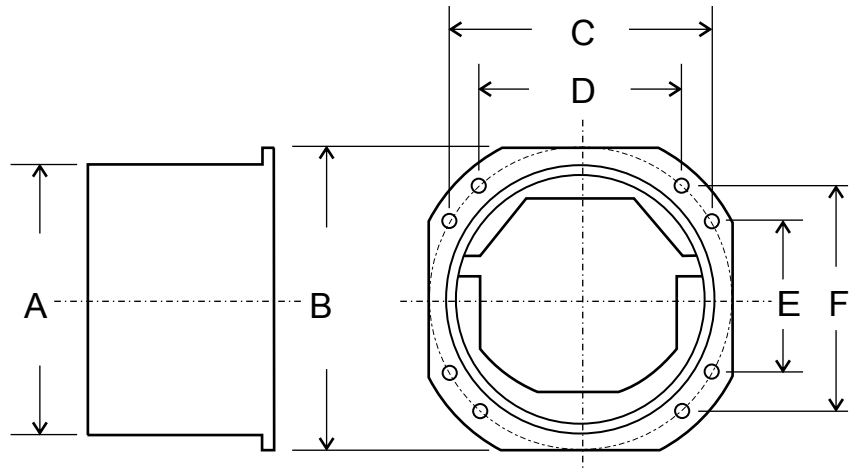
Installation of these units and the corresponding electrical wiring must be done by a qualified person and be in accordance with all municipal and national codes and standards.

Before wiring or servicing the units, switch power off at the service panel and lock it. If service panel is unlocked others could turn the power ON unexpectedly and cause fatal electric shock to the installer or service person.

Reversomatic Manufacturing Ltd.

790 Rowntree Dairy Road, Woodbridge, ON Canada L4L 5V3 • Tel: 905-851-6701 • Fax: 905-851-8376
www.reversomatic.com • info@reversomatic.com

PLASTIC BACKDRAFT DAMPER



Plastic Backdraft Damper

MODEL	A	B	C	D	E	F	PART NO.	PRICE
PBD3	3" dia.	3.5"	3"	—	1 3/4"	—	014039	\$ 3.10
PBD4	4" dia.	4.5"	4"	3 3/16"	2 1/2"	3 3/16"	014040	3.40
PBD5	5" dia.	5.5"	4 3/4"	3 7/8"	2 3/4"	3 7/8"	014043	3.80
PBD6	6" dia.	6.5"	5 5/8"	4 9/16"	3 1/4"	4 5/8"	014044	4.50

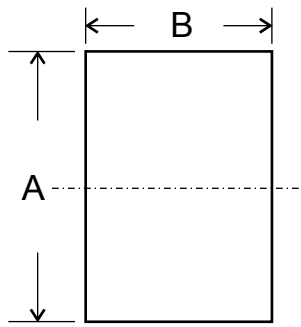
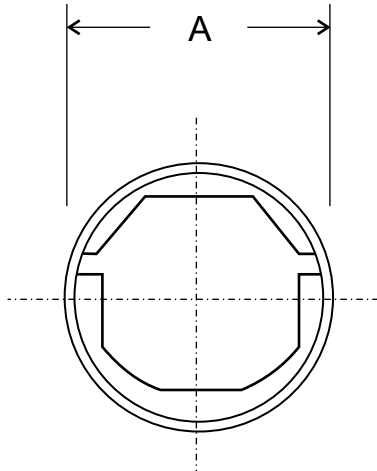
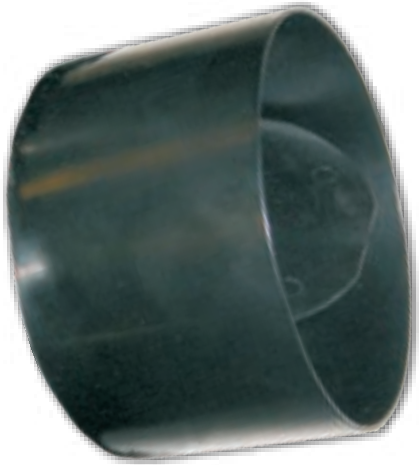
Contractor:		Plastic Backdraft Damper		
Architect:	Job:	Date	Supersedes	Drawing No.
Engineer:	Date Submitted:			

Reversomatic Manufacturing Ltd.

790 Rowntree Dairy Road, Woodbridge, ON, Canada L4L 5V3 • Tel: 905-851-6701 • Fax: 905-851-8376
www.reversomatic.com • info@reversomatic.com



INLINE PLASTIC BACKDRAFT DAMPER



Inline Plastic Backdraft Damper

MODEL	A	B	PART NO.	PRICE
IPBD3	3" dia.	2.5"	014046	\$ 3.75
IPBD4	4" dia.	2.5"	014047	4.10
IPBD5	5" dia.	3.0"	014048	4.60
IPBD6	6" dia.	3.0"	014049	5.40

Contractor:		Inline Plastic Backdraft Damper		
Architect:	Job:	Date	Supersedes	Drawing No.
Engineer:	Date Submitted:			

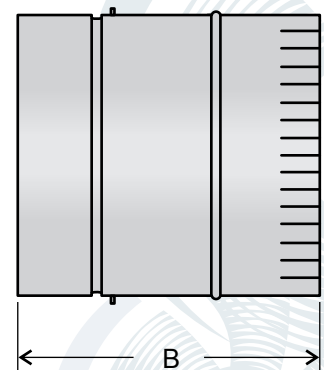
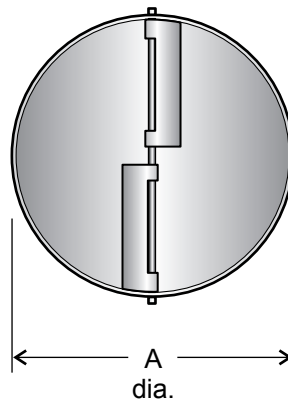
BACK DRAFT DAMPERS

ROUND, COMPLETE WITH A SPRING



BACK DRAFT DAMPER FOR ROUND DUCT WORK (Model Rd is a butterfly round back draft damper)

TYPE	A	B
Rd4	4"	4 1/2"
Rd5	5"	4 1/2"
Rd6	6"	4 1/2"
Rd7	7"	4 1/2"
Rd8	8"	4 1/2"
Rd9	9"	4 1/2"
Rd10	10"	6"
Rd12	12"	6"
Rd14	14"	6"
Rd16	16"	6"
Rd18	18"	8"
Rd20	20"	8"
Rd24	24"	10"



Contractor:		Backdraft Damper		
Architect:	Job:	Date	Supersedes	Drawing No.
Engineer:	Date Submitted:			

Reversomatic Manufacturing Ltd.

790 Rowntree Dairy Road, Woodbridge, ON Canada L4L 5V3 • Tel: 905-851-6701 • Fax: 905-851-8376
www.reversomatic.com • info@www.reversomatic.com



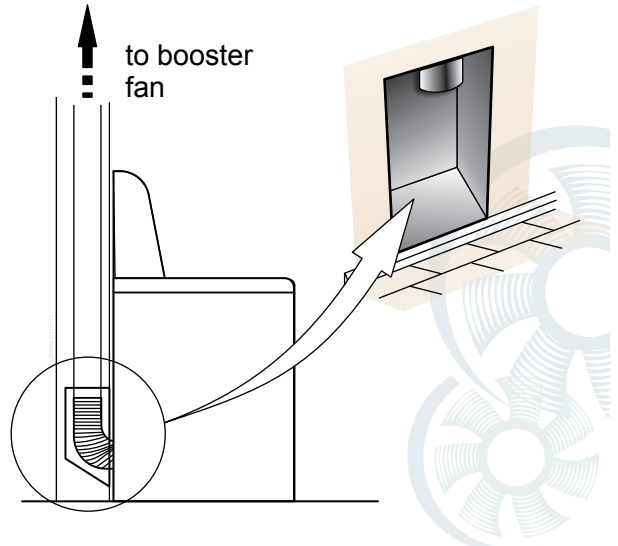
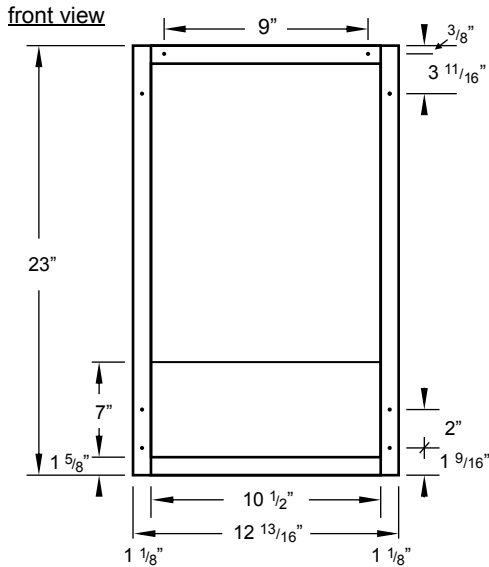
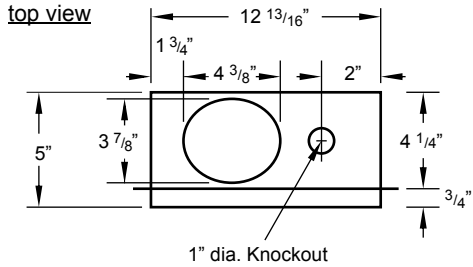
DRYER - BOX

RDB - 100

Reversomatic Dryer-box allows the dryer to be located closer to the wall and protects the dryer flexible exhaust duct from getting kinked. It also improved dryer efficiency by reducing one 90° elbow from the dryer exhaust system.



DIMENSIONS:



Contractor:		DRYER-BOX		
Architect:	Job:	Date	Supersedes	Drawing No.
Engineer:	Date Submitted:			



Constant air volume controller

APPLICATION

As regulation unit in ventilation and air conditioning systems, on the supply or exhaust duct side.

WORKING METHOD

A plastic control flap with a stainless steel balance spring calibrates the air stream in the unit in relation to pressure difference to obtain a constant air flow within a pressure range between 50 and 200 Pa.

ADVANTAGES

The installation of a constant volume control damper in a ventilation system has some advantages compared with other control systems (control register, diaphragm, etc...)

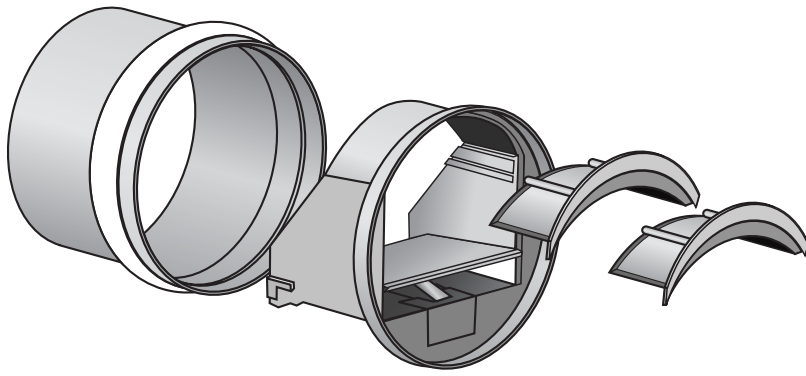
- System regulation or calibration is not needed
- The air volume is always the same whatever the pressure variation in the ventilation system

Reversomatic Mfg. Ltd.

790 ROWNTREE DAIRY ROAD WOODBRIDGE

ONTARIO, CANADA L4L 5V3

PHONE (905) 851-6701 ■ FAX (905) 851-8376



REVERSOMATIC CONSTANT AIR VOLUME CONTROLLER - CVC

available
in 4", 5", 6", 7" & 8" dia

The Reversomatic airflow regulator CVC is an element placed inside the duct in order to obtain a constant Airflow within pressure range from 0.2 to 0.8 inch watercolumn. It is used for both the exhaust and supply air in Ventilation systems and Reversomatic fans.

The installation of Reversomatic flow regulators in air systems or Reversomatic fans has many advantages compared to traditional systems of adjustment (balancing dampers, Iris Dampers, etc...)

- No balance or setting manipulations
- Constant Airflow independent of air pressure variations in the ductwork.

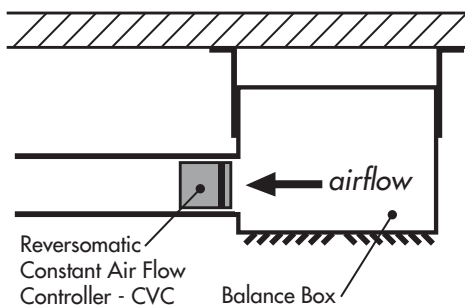
OPERATION

The patented Reversomatic type CVC air volume dampers operate by means of a special air balancing damper, which automatically calibrates the air stream independent of the pressure.

INSTALLATION

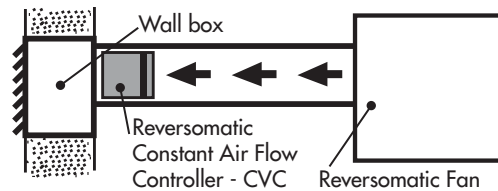
REMOTE FAN INSTALLATION

Double or triple inlets
CVC installed in Balance Box

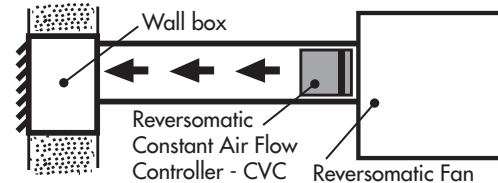


SINGLE FAN INSTALLATION

CVC installed close to wall box



CVC installed close to fan



CONTRACTOR		Constant Air Volume Controller- CVC		
ARCHITECT	JOB	DATE	SUPERSEDES	DRAWING NO.
ENGINEER	DATE SUBMITTED	REVERSOMATIC Manufacturing Ltd Toronto, Ontario		



REVERSOMATIC
MANUFACTURING LIMITED

RF-100 MEDIA AIR CLEANER

September, 2008

Models: DS-1625, DS-2025, DS-2020

WHOLE - HOUSE AIR FILTRATION, HELPING TO MAKE YOUR HOME:

- Cleaner
- Healthier
- Safer
- More comfortable

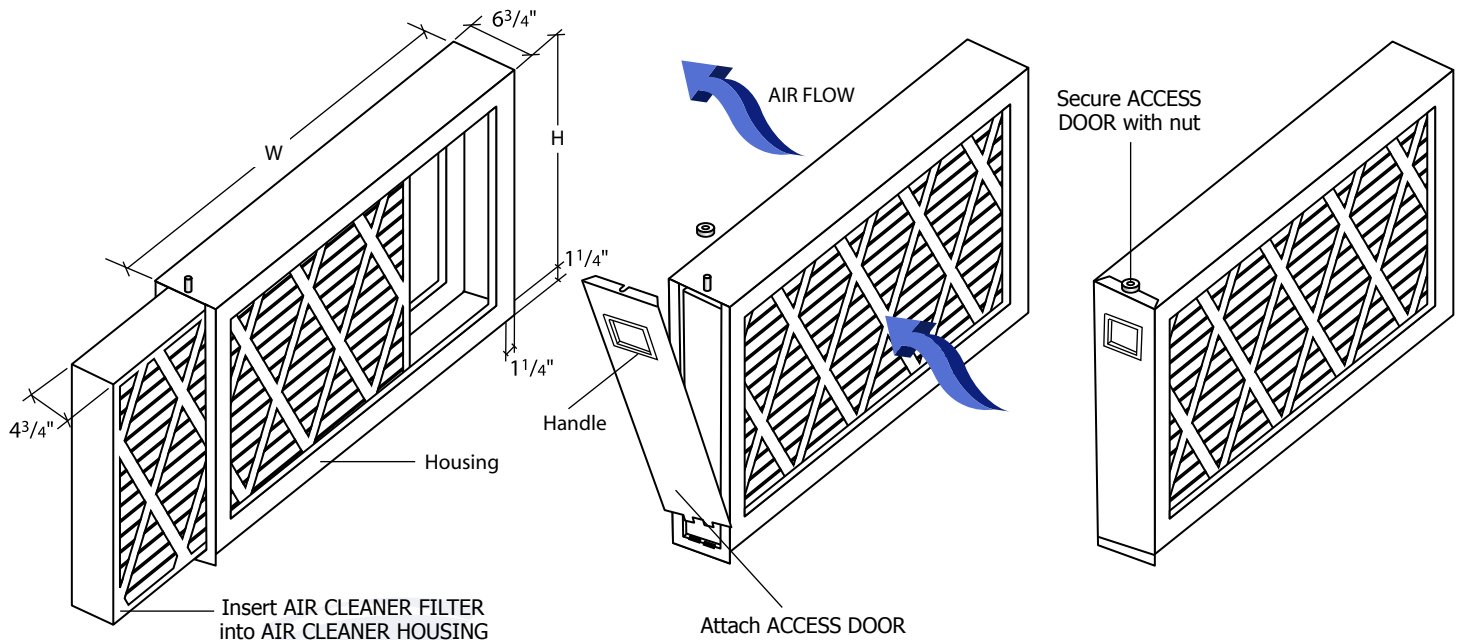


Available in 8 to 14 merv with 3M filters

Get cleaner indoor air now. Upgrade from your 1" filter to the Reversomatic RF-100 Media Air Filter Cleaner. RF-100 High-Capacity, High-Efficiency is up to 40 times more efficient than traditional 1" filters at removing airborne dust, pollen and other contaminants, that are potentially harmful to your health.

Reversomatic Manufacturing Ltd.

790 Rowntree Dairy Road, Woodbridge, ON Canada L4L 5V3 • Tel: 905-851-6701 • Fax: 905-851-8376
www.reversomatic.com • info@reversomatic.com



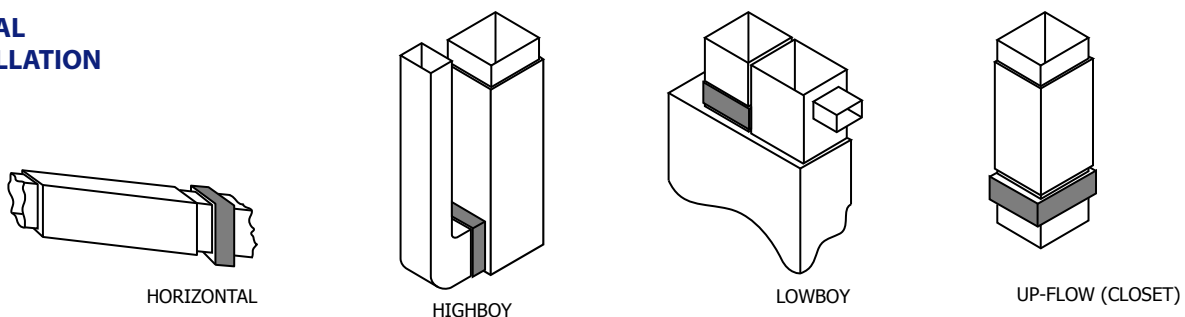
Up to 99.9% filtering efficiency
(see filter manufacturer's specifications)

MODEL	H	W	FILTER SIZE (filter model #)
DS-1625	16"	25"	24.75" x 15.75" x 4.75" (RF-1625)
DS-2025	20"	25"	24.75" x 19.75" x 4.75" (RF-2025)
DS-2020	20"	20"	19.75" x 19.75" x 4.75" (RF-2020)

The Reversomatic high efficiency air cleaner housing is easily installed with any type of forced air heating/cooling system. Standard sheet metal procedures are followed and no special tools are required. The Reversomatic air cleaner housing is mounted in the Return Air Duct - horizontally, vertically, or at an angle as required.

Continuous air circulation is recommended for best results. Set the furnace blower to run constantly.

TYPICAL INSTALLATION



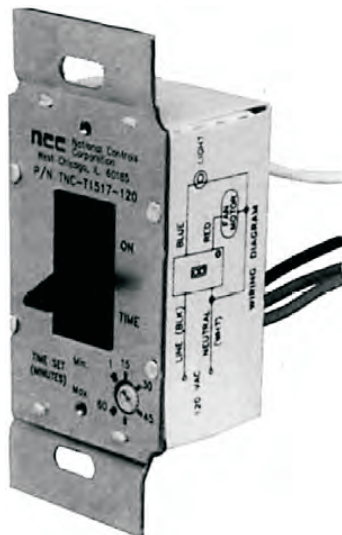
Contractor:		RF-100 Media Air Cleaner		
Architect:	Job:	Date	Supersedes	Drawing NO.
Engineer:	Date Submitted:			

Reversomatic Manufacturing Ltd.



OPERATING LOGIC

Voltage is applied to the unit at all times via the black and white wires. When the switch is placed in the "On" position, power is applied to the Lamp and Fan Output. When the switch is placed in the "Timed" position, the power is removed from the Lamp Output and the Fan Output stays on for the preset delay time. After the delay time the power is removed from the Fan Output. Should the switch be placed in the "On" position during the delay time, the timer will be reset and both outputs will be "On" as defined above. Should power be interrupted, when in the "Timed" position, the timer will be reset and when power is reapplied the Fan Output will be "On" for the preset delay time after the power is re-applied.



OPERATING INSTRUCTIONS:

- To turn fan and light ON for continuous operation move paddle switch upwards to the ON position.
- To turn the light off, move paddle switch downward to the TIME position . The fan will stay ON for the timing cycle.

SPECIFICATIONS

TIME DELAY

Adjustment: On-board Trimpot

Range: 1 to 60 minutes

Repeatability: $\pm 0.5\%$ +8ms max.

Accuracy:

Maximum time -0%, +10%

Minimum time -30%, +0%

INPUT

Operating Voltage: 120 VAC $\pm 10\%$

Power Consumption: 3.5 VA max. at 120 VAC
(exclusive of loads)

Frequency: 50/60 Hz

OUTPUT

A-Lamp Load (Switch): 500 W at 120 VAC max.
(blue wire)

B-Fan Load (Switch and Relay Contact):
1/3 hp, 10 A (resistive) at 120 VAC max. (red wire)

Life: 100,000 cycles at full load

MECHANICAL

Mounting: Fits single switch outlet box

Electrical: Simple wire nut hook-up

Switch color: Black

ENVIRONMENTAL

Storage Temperature: -40°C to 70°C

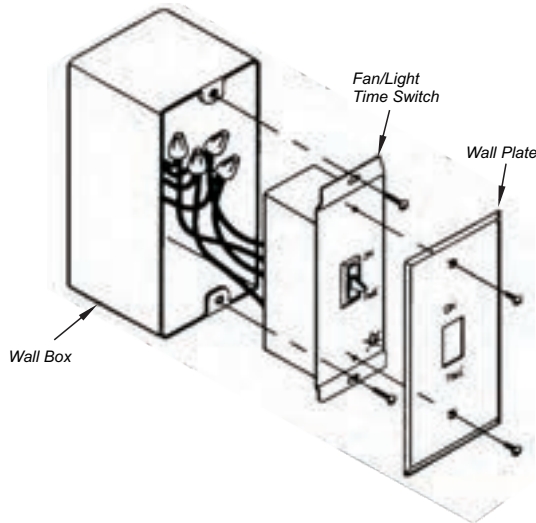
Operating Temperature: -40°C to 55°C

Humidity: 95% relative



Time Delay Switch

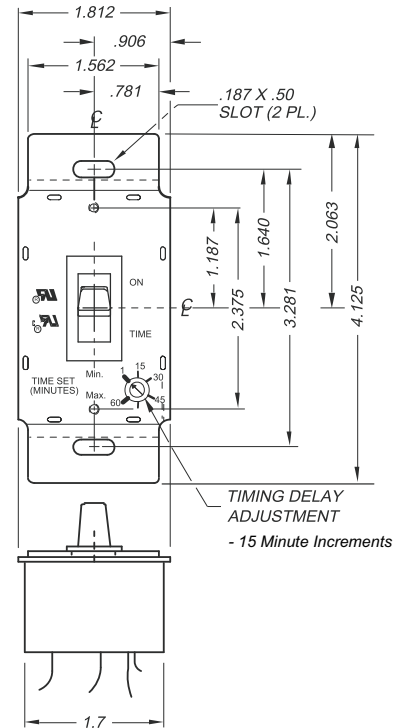
Model T1517



INSTALLATION INSTRUCTIONS

NOTE:
INSTALLATION BY A LICENSED ELECTRICIAN IS RECOMMENDED. INSTALLATION AND USE OF THIS EQUIPMENT SHOULD BE IN ACCORDANCE WITH PROVISIONS OF THE NATIONAL ELECTRICAL CODE. APPLICABLE LOCAL CODES AND PERTINENT INDUSTRY STANDARDS SHOULD BE VERIFIED BEFORE INSTALLATION.

1. Turn power OFF at circuit breaker or fuse panel.
2. Remove cover plate and existing switch from wall box if one is presently installed.
3. Referring to diagram 1 or 2, connect the wires in the wall box using the wire connectors supplied.
4. Carefully place wires and switch into wall box and secure with two mounting screws.
5. Using a small screwdriver set time required by dialling the TIME SET adjustment screw located in the lower right corner of plate to desired position.
6. Install wall plate. Make sure the switch is set to the TIME position.
7. Turn power on at circuit breaker or fuse panel.



WIRING DIAGRAMS

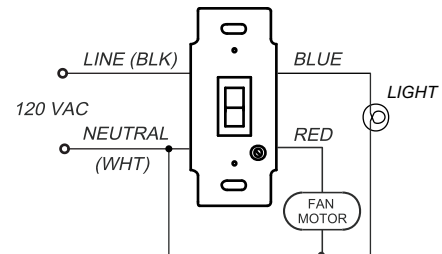


DIAGRAM 1 - Standard Fan/Light Application

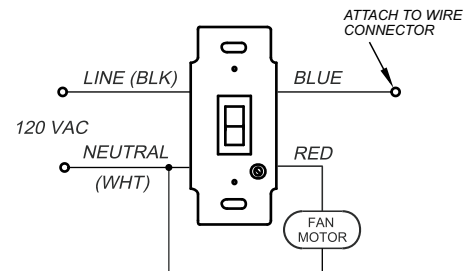


DIAGRAM 2 - Single Timed Load Application

Contractor:		Time Delay Switch		
Architect:	Job:	Date	Supersedes	Drawing No.
Engineer:	Date Submitted:			

Reversomatic Manufacturing Ltd.

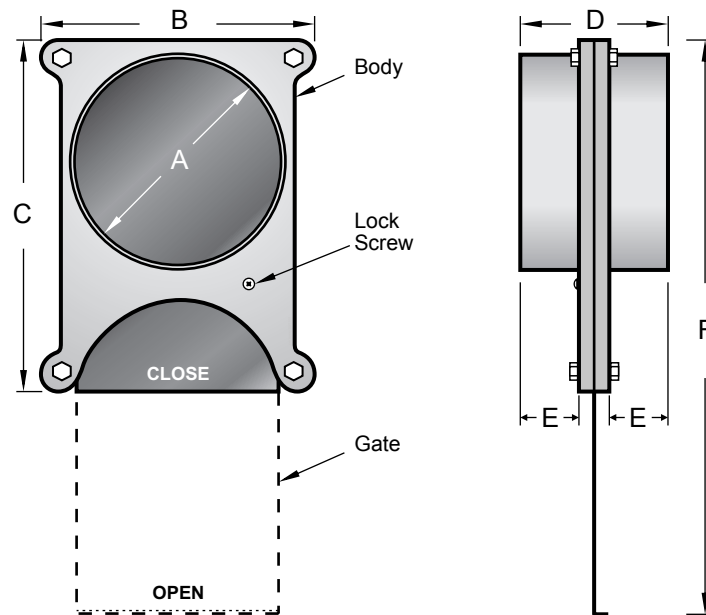
790 Rowntree Dairy Road, Woodbridge, ON Canada L4L 5V3 • Tel: 905-851-6701 • Fax: 905-851-8376

Toll Free: 1.800.810.3473 (Canada) • 1.866.890.6457 (U.S.A.)

www.reversomatic.com • info@reversomatic.com



Blast Gates maximize vacuum pressure by shutting off lines that are not in use. This will result in improvement of suction at a particular location. The body is made of cast aluminum alloy (Canadian Alloy 135 / American 356).



PART #	A (DIAMETER)	B	C	D	E	F
BG3	3"	4"	5"	2 ¼"	1"	8 ½"
BG4	4"	4 ¾"	6"	3"	1 ⅛"	10"
BG5	5"	6 ½"	7 ¼"	3"	1 ⅛"	12 ¼"
BG6	6"	7"	8 ⅜"	3"	1 ⅛"	14 ½"
BG7	7"	8"	11 ½"	4 ¼"	1 ¾"	19"
BG8	8"	9 ¾"	11 ¾"	4 ⅜"	1 ⅞"	20 ½"
BG9	9"	10 ¾"	14 ⅜"	4 ½"	1 ¾"	24"
BG10	10"	11 ¾"	15 ½"	4 ½"	1 ⅞"	25"
BG12	12"	13 ½"	17 ½"	4"	1 ⅞"	29 ½"

NOTE: Gate is made of 22/24 ga. satin coat steel.

Contractor:		Blast Gate		
Architect:	Job:	Date	Supersedes	Drawing No.
Engineer:	Date Submitted:			

AIR SPECIALTIES LTD.

EMBEDDED AIR DUCT SYSTEMS

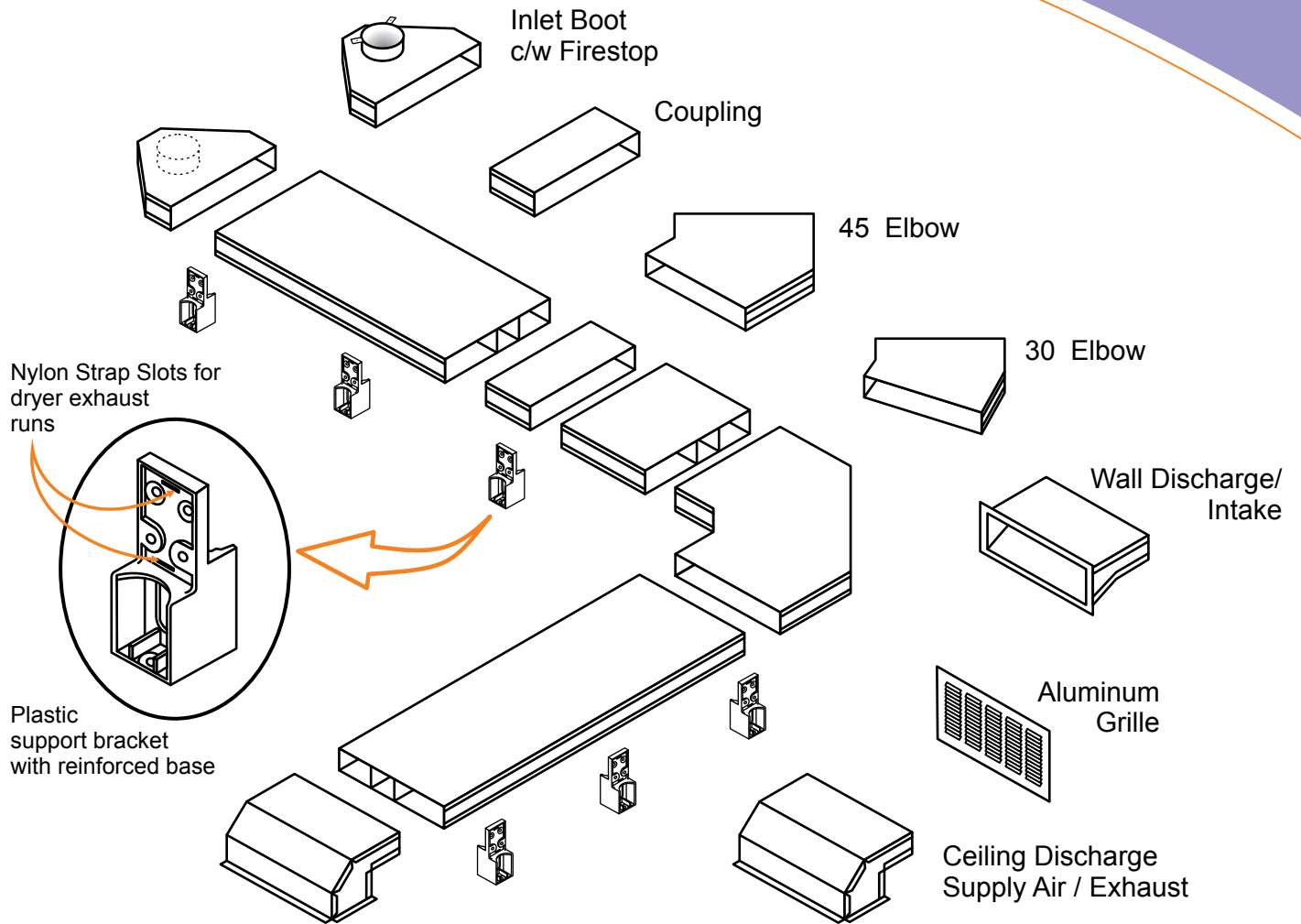


**A COMPLETE ALTERNATIVE
ENGINEERED SYSTEM FOR
AIR TRANSFER**

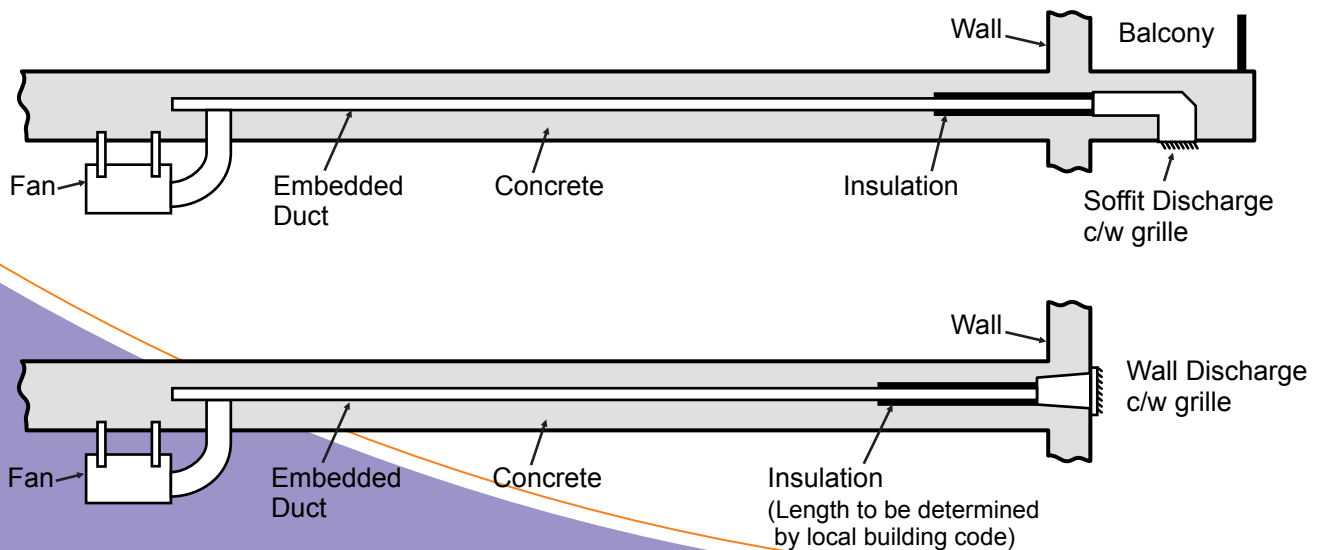
AIR SPECIALTIES LTD.

20 Pine Street, Toronto, Ontario M9N 2Y8
T : 416.248.0500 • F : 416.248.0900

DUCT COMPONENTS



DUCT INSTALLATION



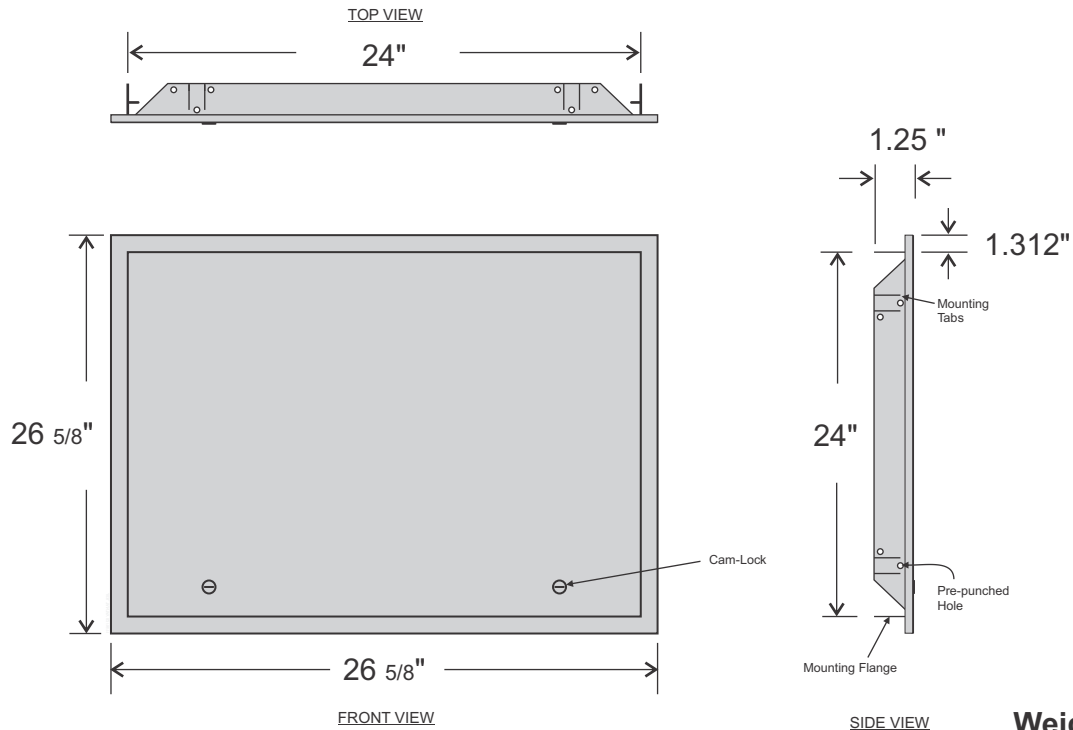


DETACHABLE - ADD 24

The "ADD 24" are manufactured from 20 gauge satin coat steel for corrosion resistance and come with a screwdriver operated cam-lock.

Featured with detachable door and designed to install on drywalls, masonry and tiled surfaces. For easy and quick installation bend back all mounting tabs onto drywall or use pre-punched holes to secure the door onto adjacent studs.

Custom Sizes, powder coated finishing and various color options are available upon request.



Weight:
App.10.7 lbs.

Contractor:		ADD 24		
Architect:	Job:	Date	Supersedes	Drawing No.
Engineer:	Date Submitted:			



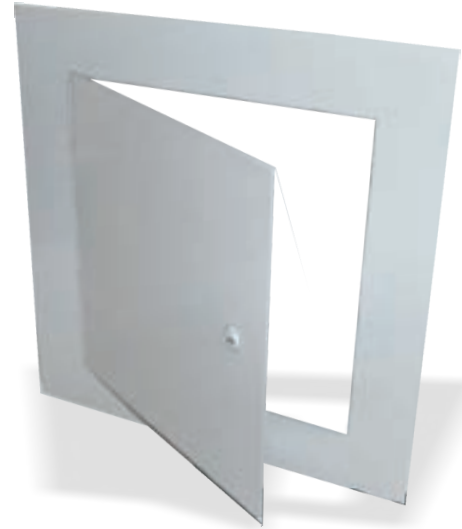
ACCESS DOOR

PROJECT - ADP SERIES

The “ADP” Series are manufactured from 20 gauge satin coat steel for corrosion resistance and come with a screwdriver operated cam-lock.

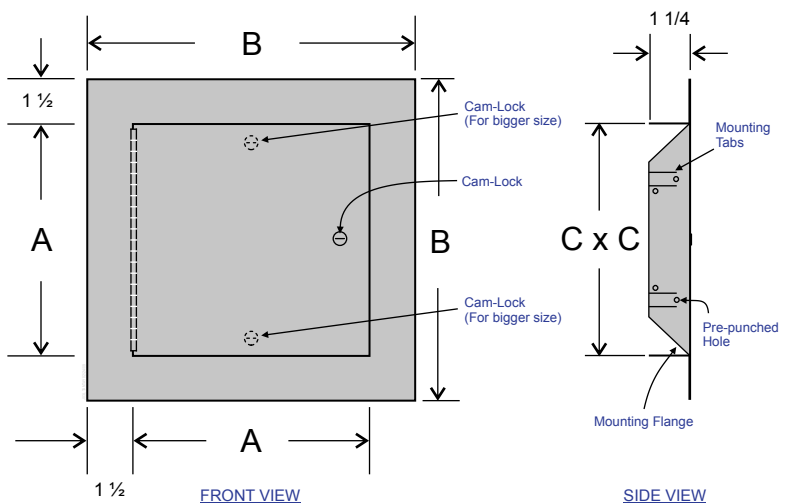
These doors are designed to install on drywalls, masonry and tiled surfaces. For easy and quick installation bend back all mounting tabs onto drywall or use pre-punched holes to secure the door onto adjacent studs.

Custom Sizes, powder coated finishing and various color options are available upon request.



STANDARD SIZES:

SIZES (INCH)	MODEL NUMBER	A (INCH)	B (INCH)	C (INCH)
6 x 6	ADP6	6	9	6
8 x 8	ADP8	8	11	8
10 x 10	ADP10	10	13	10
12 x 12	ADP12	12	15	12
14 x 14	ADP14	14	17	14
16 x 16*	ADP16	16	19	16
18 x 18*	ADP18	18	21	18
20 x 20*	ADP20	20	23	20
24 x 24*	ADP24	24	27	24
30 x 30*	ADP30	30	33	30



* Sizes 16" through 30" comes in 3 Cam-locks.

Contractor:		PROJECT - ADP SERIES		
Architect:	Job:	Date	Supersedes	Drawing No.
Engineer:	Date Submitted:			

Reversomatic Manufacturing Ltd.

790 Rowntree Dairy Road, Woodbridge, ON Canada L4L 5V3 • Tel: 905-851-6701 • Fax: 905-851-8376
www.reversomatic.com • info@reversomatic.com

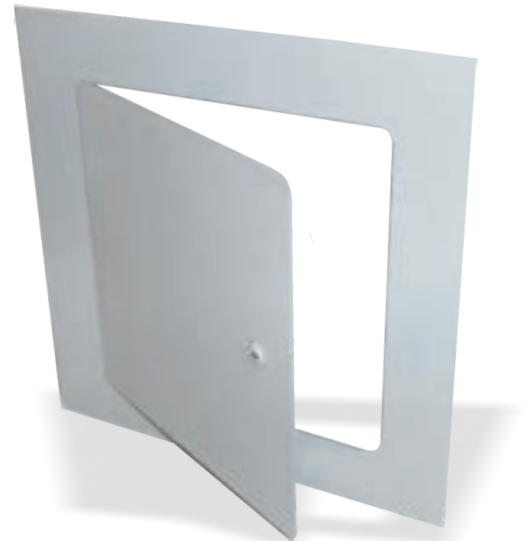


FLAT - ADF SERIES

The “**ADF**” Series are manufactured from 20 gauge satin coat steel for corrosion resistance and come with a screwdriver operated cam-lock.

These doors are featured with round cornered flange invisible hinge and flush mounted door panel. They can be installed on drywall, masonry and tiles surfaces.

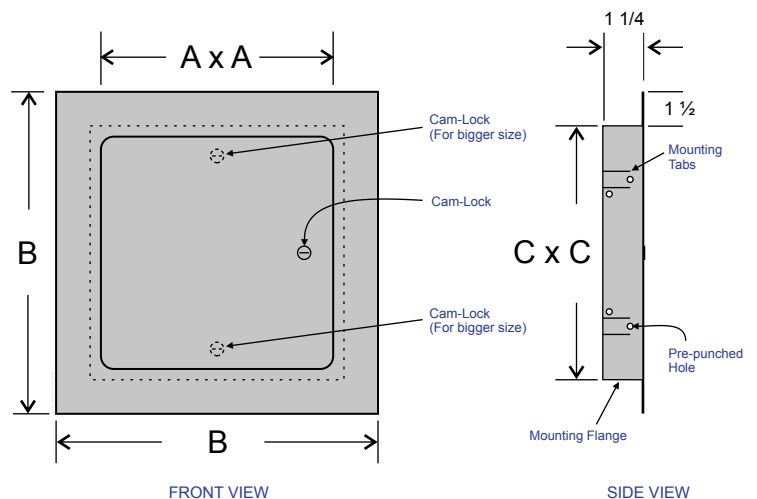
For easy and quick installation bend back all mounting tabs onto drywall or use pre-punched holes to secure the door onto adjacent studs.



Custom Sizes, powder coated finishing and various color options are available upon request.

STANDARD SIZES:

SIZES (INCH)	MODEL NUMBER	A (INCH)	B (INCH)	C (INCH)
6 x 6	ADF6	5	9	6
8 x 8	ADF8	7	11	8
10 x 10	ADF10	9	13	10
12 x 12	ADF12	11	15	12
14 x 14	ADF14	13	17	14
16 x 16	ADF16	15	19	16
18 x 18*	ADF18	17	21	18
20 x 20*	ADF20	19	23	20
24 x 24*	ADF24	23	27	24
30 x 30*	ADF30	29	33	30



* Sizes 16” through 30” comes in 3 Cam-locks.

Contractor:		FLAT - ADF SERIES		
Architect:	Job:	Date	Supersedes	Drawing No.
Engineer:	Date Submitted:			

Reversomatic Manufacturing Ltd.

790 Rowntree Dairy Road, Woodbridge, ON Canada L4L 5V3 • Tel: 905-851-6701 • Fax: 905-851-8376
www.reversomatic.com • info@reversomatic.com

LOUVERS
SHUTTERS
DAMPERS

by

REVER&SOMATIC

www.reversomatic.com

*any size
any gauge
any material
any colour*



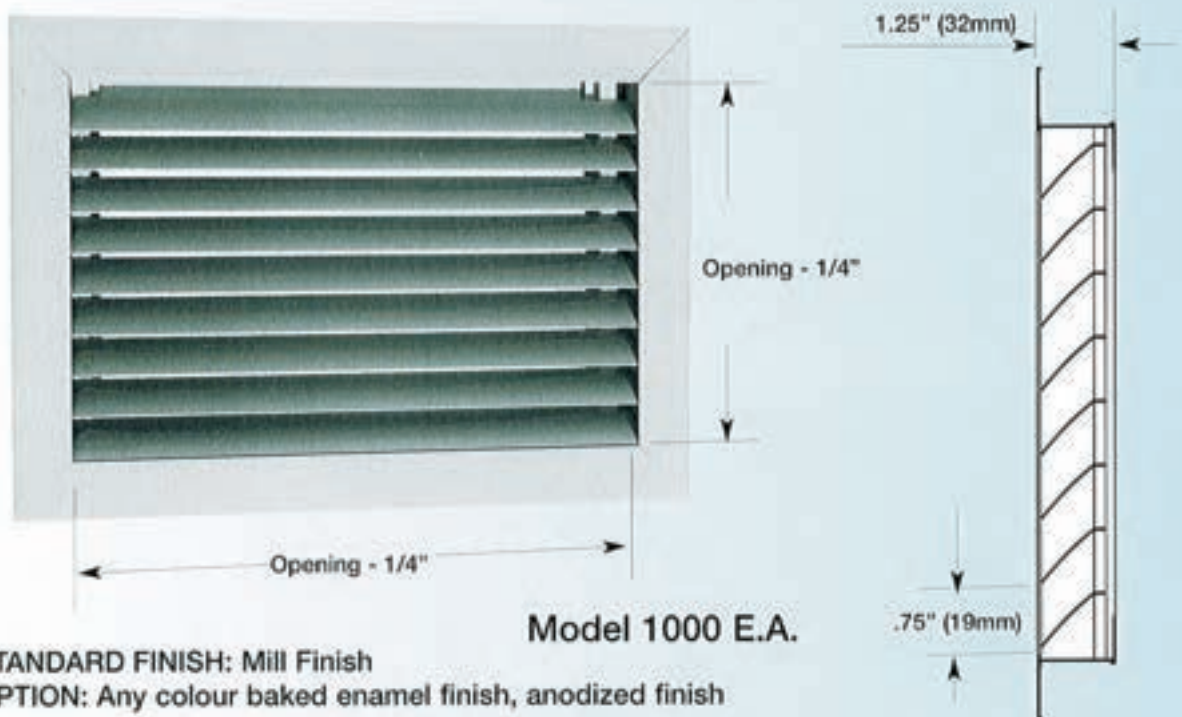
TABLE OF CONTENTS

EXTRUDED CUSTOM MADE LOUVERS OR GRILLS.....	1,2
2" EXTRUDED ALUMINUM CUSTOM LOUVERS.....	3,4
4" EXTRUDED ALUMINUM CUSTOM LOUVERS.....	5,6
FORMED STEEL LOUVER.....	7,8
HYDRO AND SIGHT PROOF LOUVERS.....	9,10
FORMED STEEL HYDRO AND SIGHT PROOF LOUVER.....	11,12
HEAVY DUTY MANUAL OR MOTORIZED CONTROL DAMPER.....	13
LIGHT DUTY MOTORIZED CONTROL DAMPER.....	14
LIGHT DUTY SHUTTER OR BACKDRAFT DAMPER.....	14

REVERSOMATIC

EXTRUDED CUSTOM MADE LOUVERS OR GRILLS SPECIAL DESIGN FOR WALL BOX AND OTHER APPLIANCES

REVERSOMATIC Ultra Thin line louver features an extremely high free area and provides minimal interference to the air passing through the louver. This louver is ideal for applications where standard depth louvers can not be used.



STANDARD FINISH: Mill Finish

OPTION: Any colour baked enamel finish, anodized finish

SPECIFICATIONS

Blade Material	Blade Angle	Blade Center	Frame Material	Louver Depth	Bird Screen
Extruded Alum. 0.062" (1.57mm)	45 deg.	0.75" 19 mm	Extruded Alum. 0.062" (1.57mm)	1.25" 31.75mm	.5" x .5" 19 ga. galv

FREE AREA IN SQUARE METERS

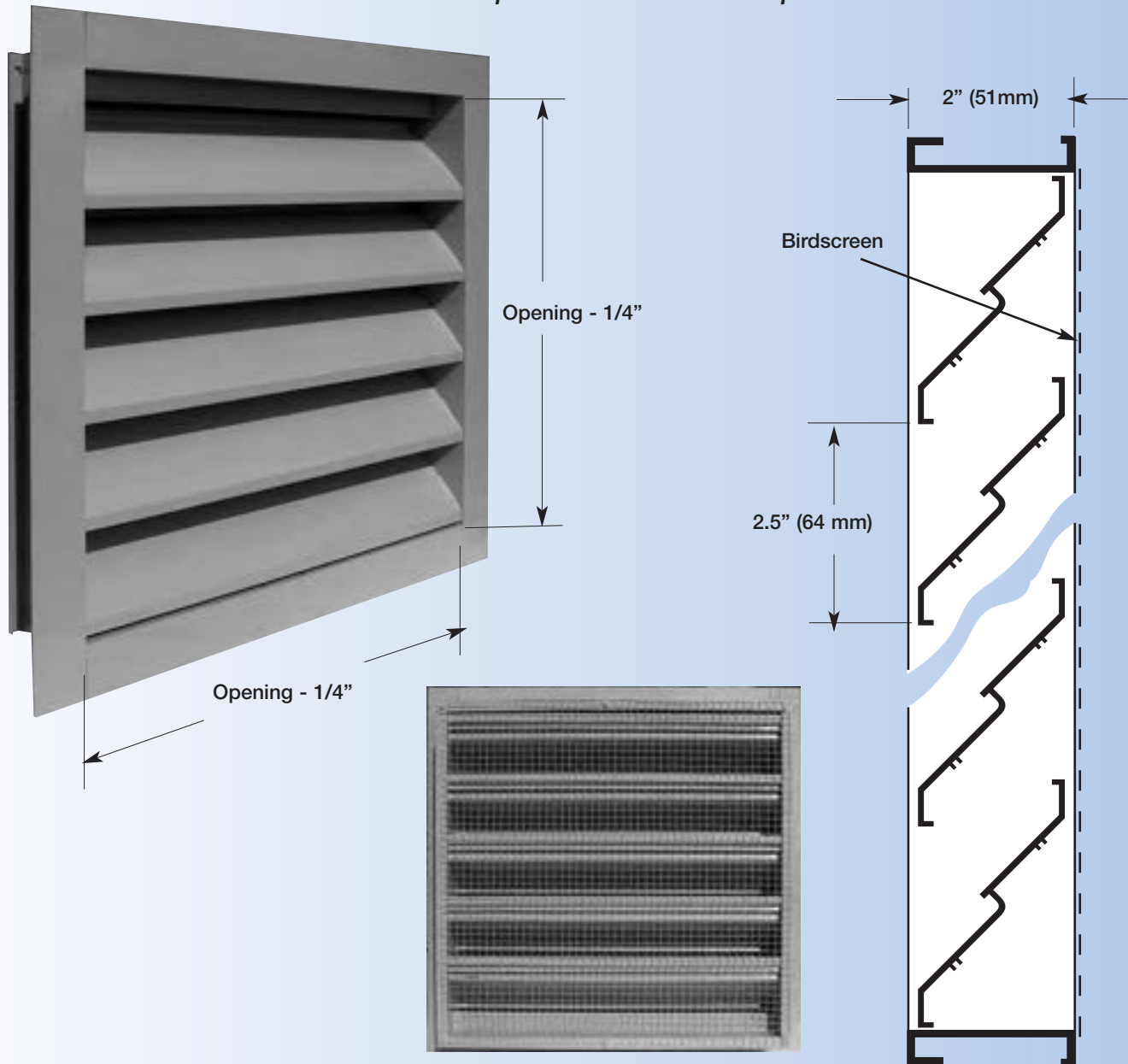
		WIDTH IN CENTIMETERS															
		30.5	40.6	50.8	61.0	71.1	81.3	91.4	101.6	111.8	121.9	132.1	142.4	152.2	162.6	172.7	182.9
H	30.5	0.046	0.064	0.078	0.096	0.114	0.133	0.151	0.165	0.183	0.201	0.219	0.238	0.251	0.270	0.288	0.306
E	40.6	0.062	0.086	0.105	0.130	0.155	0.179	0.205	0.223	0.248	0.272	0.298	0.323	0.341	0.365	0.391	0.416
I	50.8	0.078	0.110	0.133	0.165	0.195	0.227	0.259	0.282	0.313	0.344	0.376	0.406	0.431	0.461	0.493	0.525
G	61.0	0.095	0.132	0.161	0.198	0.236	0.274	0.312	0.340	0.378	0.416	0.454	0.491	0.520	0.558	0.595	0.633
H	71.1	0.111	0.155	0.188	0.233	0.277	0.321	0.365	0.399	0.443	0.487	0.532	0.576	0.609	0.654	0.698	0.742
T	81.3	0.127	0.178	0.216	0.267	0.317	0.368	0.419	0.458	0.508	0.559	0.610	0.660	0.698	0.750	0.800	0.851
	91.4	0.143	0.201	0.244	0.301	0.358	0.416	0.472	0.516	0.573	0.631	0.687	0.745	0.788	0.845	0.903	0.960
I	101.6	0.160	0.223	0.272	0.335	0.399	0.462	0.526	0.575	0.638	0.702	0.765	0.830	0.877	0.941	1.005	1.069
N	111.8	0.176	0.246	0.299	0.369	0.440	0.510	0.580	0.632	0.703	0.774	0.844	0.914	0.967	1.037	1.108	1.177
	121.9	0.193	0.269	0.326	0.404	0.480	0.557	0.633	0.691	0.768	0.845	0.922	0.999	1.056	1.133	1.210	1.287
C	132.1	0.208	0.292	0.354	0.437	0.521	0.605	0.687	0.750	0.833	0.917	1.000	1.083	1.146	1.229	1.312	1.396
E	142.4	0.224	0.314	0.381	0.472	0.562	0.651	0.741	0.808	0.898	0.988	1.078	1.168	1.235	1.325	1.415	1.505
N	152.2	0.241	0.338	0.409	0.506	0.602	0.698	0.795	0.867	0.963	1.059	1.156	1.253	1.324	1.421	1.517	1.614
T	162.6	0.257	0.360	0.437	0.539	0.643	0.746	0.848	0.925	1.029	1.131	1.234	1.336	1.414	1.517	1.619	1.722
I	172.7	0.273	0.382	0.465	0.574	0.684	0.792	0.902	0.984	1.094	1.202	1.312	1.421	1.503	1.613	1.722	1.831
M	182.9	0.289	0.405	0.492	0.608	0.724	0.840	0.956	1.043	1.159	1.274	1.390	1.506	1.593	1.708	1.825	1.896

FREE AREA IN SQUARE FEET

		WIDTH IN INCHES															
		12	16	20	24	28	32	36	40	44	48	52	56	60	64	68	72
H	12	0.49	0.69	0.84	1.03	1.23	1.43	1.62	1.77	1.97	2.16	2.36	2.56	2.70	2.90	3.10	3.29
E	16	0.67	0.93	1.13	1.40	1.67	1.93	2.20	2.40	2.67	2.93	3.20	3.47	3.67	3.93	4.20	4.47
I	20	0.84	1.18	1.43	1.77	2.10	2.44	2.78	3.03	3.37	3.70	4.04	4.37	4.63	4.96	5.30	5.64
G	24	1.02	1.42	1.73	2.13	2.54	2.95	3.35	3.66	4.06	4.47	4.88	5.28	5.59	6.00	6.40	6.81
H	28	1.19	1.67	2.02	2.50	2.98	3.45	3.93	4.29	4.76	5.24	5.72	6.19	6.55	7.03	7.50	7.98
T	32	1.37	1.91	2.32	2.87	3.41	3.96	4.51	4.92	5.46	6.01	6.56	7.10	7.51	8.06	8.60	9.15
	36	1.54	2.16	2.62	3.24	3.85	4.47	5.08	5.55	6.16	6.78	7.39	8.01	8.47	9.09	9.71	10.32
I	40	1.72	2.40	2.92	3.60	4.29	4.97	5.66	6.18	6.86	7.55	8.23	8.92	9.43	10.12	10.81	11.49
N	44	1.89	2.65	3.21	3.97	4.73	5.48	6.24	6.80	7.56	8.32	9.07	9.83	10.40	11.15	11.91	12.66
	48	2.07	2.89	3.51	4.34	5.16	5.99	6.81	7.43	8.26	9.09	9.91	10.74	11.36	12.18	13.01	13.84
I	52	2.24	3.14	3.81	4.70	5.60	6.50	7.39	8.06	8.96	9.86	10.75	11.65	12.32	13.21	14.11	15.01
N	56	2.41	3.38	4.10	5.07	6.04	7.00	7.97	8.69	9.66	10.62	11.59	12.56	13.28	14.25	15.21	16.18
C	60	2.59	3.63	4.40	5.44	6.47	7.51	8.55	9.32	10.36	11.39	12.43	13.47	14.24	15.28	16.31	17.35
N	64	2.76	3.87	4.70	5.80	6.91	8.02	9.12	9.95	11.06	12.16	13.27	14.37	15.20	16.31	17.41	18.52
E	68	2.94	4.11	5.00	6.17	7.35	8.52	9.70	10.58	11.76	12.93	14.11	15.28	16.16	17.34	18.52	19.69
S	72	3.11	4.36	5.29	6.54	7.78	9.03	10.28	11.21	12.46	13.70	14.95	16.19	17.13	18.37	19.62	20.39

REVERSOMATIC 2" EXTRUDED ALUMINUM CUSTOM LOUVERS

REVERSOMATIC 2" (50 mm) louver is designed to provide protection from water penetration



STANDARD FINISH: Mill Finish

OPTION: Any colour baked enamel finish, anodized finish

SPECIFICATIONS

Blade Material	Blade Angle	Blade Center	Frame Material	Louver Depth	Bird Screen
Extruded Alum. 0.062" (1.57mm)	45 deg.	2.5" 64 mm	Extruded Alum. 0.062" (1.57mm)	2" 51mm	.5" x .5" 19 ga. galv

FREE AREA IN SQUARE METERS

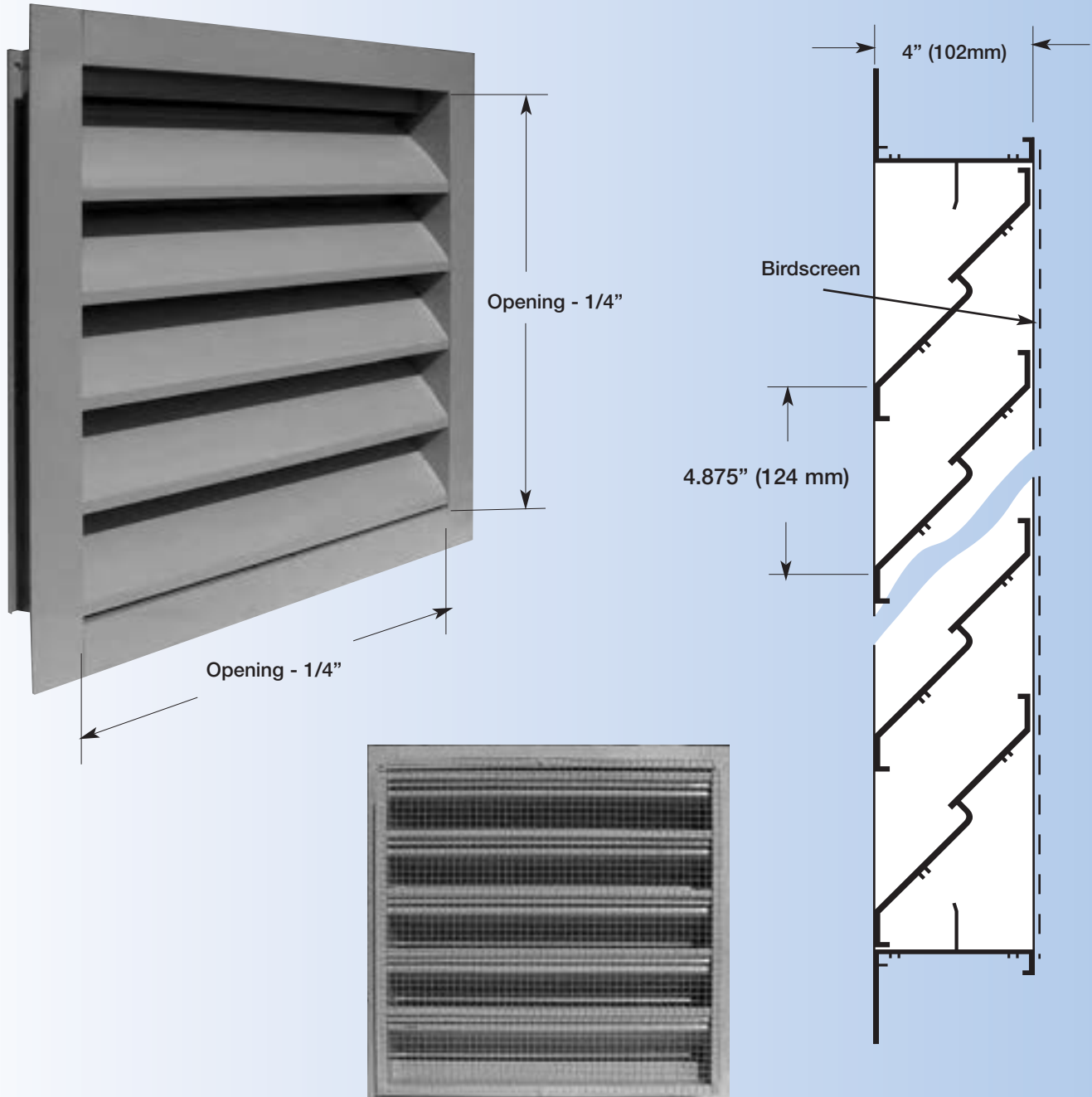
		WIDTH IN CENTIMETERS															
		30.5	40.6	50.8	61.0	71.1	81.3	91.4	101.6	111.8	121.9	132.1	142.2	152.4	162.6	172.7	182.9
H	30.5	0.027	0.037	0.047	0.058	0.068	0.078	0.089	0.100	0.110	0.120	0.130	0.140	0.152	0.162	0.172	0.182
E	40.6	0.037	0.051	0.066	0.080	0.095	0.109	0.124	0.138	0.153	0.166	0.181	0.195	0.210	0.224	0.239	0.254
I	50.8	0.047	0.066	0.085	0.103	0.121	0.140	0.158	0.177	0.195	0.214	0.233	0.251	0.269	0.287	0.306	0.325
G	61.0	0.058	0.080	0.103	0.126	0.148	0.170	0.193	0.216	0.238	0.260	0.283	0.306	0.328	0.351	0.373	0.396
H	71.1	0.068	0.095	0.121	0.148	0.175	0.201	0.228	0.254	0.281	0.307	0.334	0.361	0.387	0.414	0.440	0.467
T	81.3	0.078	0.109	0.140	0.170	0.201	0.232	0.262	0.293	0.324	0.354	0.385	0.416	0.446	0.477	0.508	0.538
	91.4	0.089	0.124	0.158	0.193	0.228	0.262	0.297	0.332	0.366	0.401	0.436	0.471	0.505	0.539	0.575	0.609
I	101.6	0.100	0.138	0.177	0.216	0.254	0.293	0.332	0.370	0.409	0.448	0.486	0.525	0.565	0.603	0.642	0.680
N	111.8	0.110	0.153	0.195	0.238	0.281	0.324	0.366	0.409	0.452	0.495	0.538	0.580	0.623	0.666	0.709	0.751
	121.9	0.120	0.166	0.214	0.260	0.307	0.354	0.401	0.448	0.495	0.541	0.589	0.635	0.682	0.729	0.776	0.822
C	132.1	0.130	0.181	0.233	0.283	0.334	0.385	0.436	0.486	0.538	0.589	0.639	0.690	0.741	0.792	0.843	0.894
E	142.2	0.140	0.195	0.251	0.306	0.361	0.416	0.471	0.525	0.580	0.635	0.690	0.745	0.800	0.855	0.910	0.964
N	152.4	0.152	0.210	0.269	0.328	0.387	0.446	0.505	0.565	0.623	0.682	0.741	0.800	0.859	0.918	0.977	1.036
T	162.6	0.162	0.224	0.287	0.351	0.414	0.477	0.539	0.603	0.666	0.729	0.792	0.855	0.918	0.981	1.044	1.107
I	172.7	0.172	0.239	0.306	0.373	0.440	0.508	0.575	0.642	0.709	0.776	0.843	0.910	0.977	1.044	1.111	1.178
M	182.9	0.182	0.254	0.325	0.396	0.467	0.538	0.609	0.680	0.751	0.822	0.894	0.964	1.036	1.107	1.178	1.249

FREE AREA IN SQUARE FEET

		WIDTH IN INCHES															
		12	16	20	24	28	32	36	40	44	48	52	56	60	64	68	72
H	12	0.29	0.40	0.51	0.62	0.73	0.84	0.96	1.07	1.18	1.29	1.40	1.51	1.63	1.74	1.85	1.96
E	16	0.40	0.55	0.71	0.86	1.02	1.17	1.33	1.48	1.64	1.79	1.95	2.10	2.26	2.41	2.57	2.73
I	20	0.51	0.71	0.91	1.11	1.30	1.50	1.70	1.90	2.10	2.30	2.50	2.70	2.89	3.09	3.29	3.49
G	24	0.62	0.86	1.11	1.35	1.59	1.83	2.07	2.32	2.56	2.80	3.04	3.29	3.53	3.77	4.01	4.26
H	28	0.73	1.02	1.30	1.59	1.88	2.16	2.45	2.73	3.02	3.30	3.59	3.88	4.16	4.45	4.73	5.02
T	32	0.84	1.17	1.50	1.83	2.16	2.49	2.82	3.15	3.48	3.81	4.14	4.47	4.80	5.13	5.46	5.78
	36	0.96	1.33	1.70	2.07	2.45	2.82	3.19	3.57	3.94	4.31	4.69	5.06	5.43	5.80	6.18	6.55
I	40	1.07	1.48	1.90	2.32	2.73	3.15	3.57	3.98	4.40	4.82	5.23	5.65	6.07	6.48	6.90	7.31
N	44	1.18	1.64	2.10	2.56	3.02	3.48	3.94	4.40	4.86	5.32	5.78	6.24	6.70	7.16	7.62	8.08
	48	1.29	1.79	2.30	2.80	3.30	3.81	4.31	4.82	5.32	5.82	6.33	6.83	7.33	7.84	8.34	8.84
I	52	1.40	1.95	2.50	3.04	3.59	4.14	4.69	5.23	5.78	6.33	6.87	7.42	7.97	8.52	9.06	9.61
N	56	1.51	2.10	2.70	3.29	3.88	4.47	5.06	5.65	6.24	6.83	7.42	8.01	8.60	9.19	9.78	10.37
C	60	1.63	2.26	2.89	3.53	4.16	4.80	5.43	6.07	6.70	7.33	7.97	8.60	9.24	9.87	10.51	11.14
H	64	1.74	2.41	3.09	3.77	4.45	5.13	5.80	6.48	7.16	7.84	8.52	9.19	9.87	10.55	11.23	11.90
E	68	1.85	2.57	3.29	4.01	4.73	5.46	6.18	6.90	7.62	8.34	9.06	9.78	10.51	11.23	11.95	12.67
S	72	1.96	2.73	3.49	4.26	5.02	5.78	6.55	7.31	8.08	8.84	9.61	10.37	11.14	11.90	12.67	13.43

REVERSOMATIC 4" EXTRUDED ALUMINUM CUSTOM LOUVERS

This louver is equipped with storm-proof blades and is designed for maximum free area. It can be used for a variety of applications and can be custom made to almost any size



SPECIFICATIONS

Blade Material	Blade Angle	Blade Center	Frame Material	Louver Depth	Bird Screen
Extruded Alum. 0.085" (2.16mm)	45 deg.	4.875" 124 mm	Extruded Alum. 0.085" (2.16mm)	4" 102mm	.5" x .5" 19 ga. galv

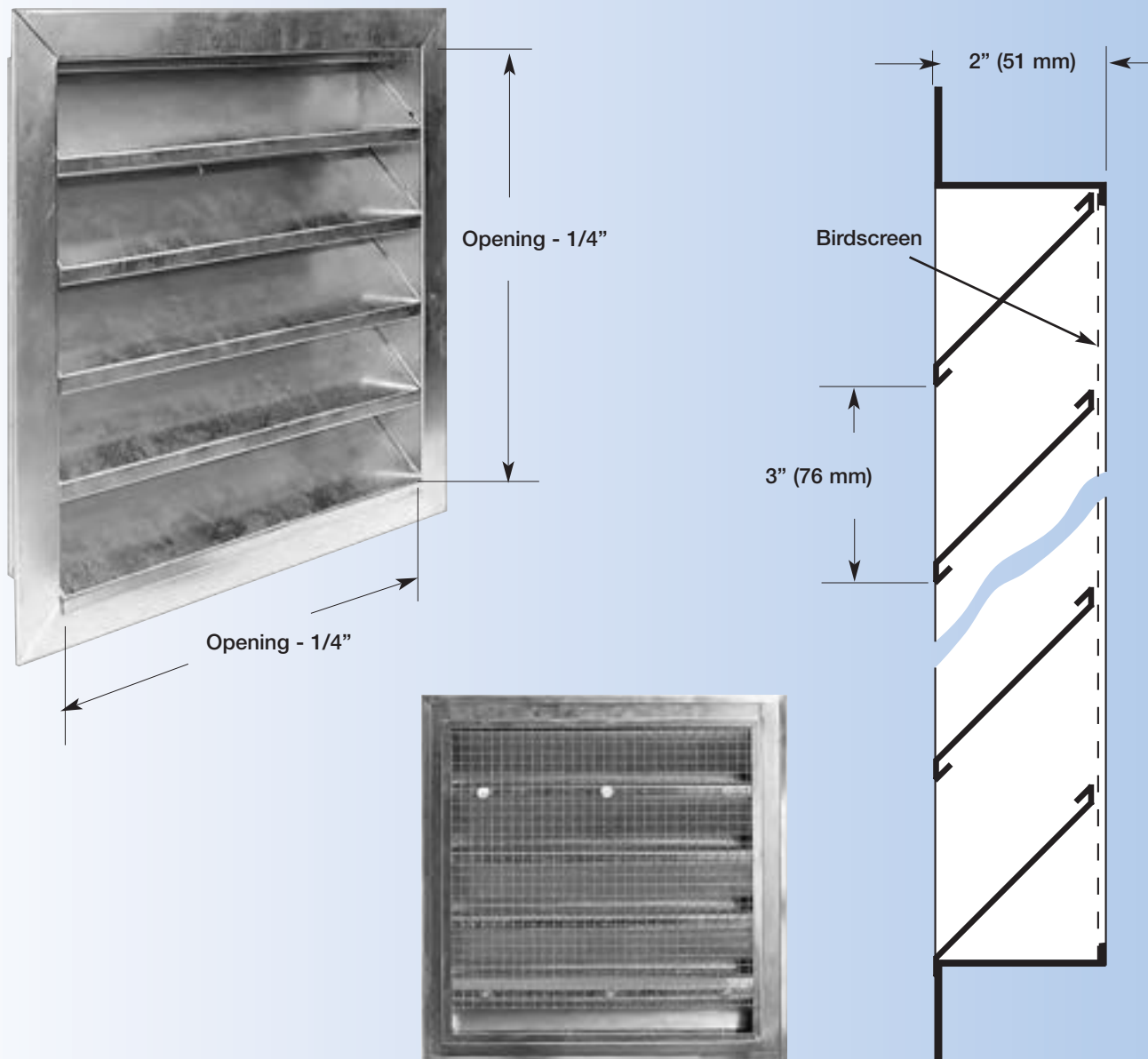
FREE AREA IN SQUARE METERS

		WIDTH IN CENTIMETERS															
		30.5	40.6	50.8	61.0	71.1	81.3	91.4	101.6	111.8	121.9	132.1	142.2	152.4	162.6	172.7	182.9
HEIGHT	30.5	0.022	0.031	0.040	0.048	0.057	0.065	0.073	0.083	0.091	0.100	0.108	0.117	0.126	0.134	0.142	0.151
	40.6	0.038	0.052	0.067	0.081	0.096	0.110	0.125	0.140	0.153	0.168	0.182	0.197	0.211	0.226	0.240	0.255
	50.8	0.054	0.073	0.094	0.114	0.135	0.155	0.176	0.196	0.217	0.237	0.258	0.278	0.299	0.318	0.339	0.359
	61.0	0.075	0.104	0.132	0.161	0.190	0.219	0.247	0.276	0.304	0.333	0.362	0.391	0.419	0.447	0.476	0.505
	71.1	0.088	0.122	0.155	0.190	0.223	0.257	0.290	0.324	0.358	0.392	0.425	0.458	0.492	0.526	0.560	0.593
	81.3	0.101	0.140	0.179	0.218	0.256	0.295	0.334	0.372	0.411	0.449	0.488	0.526	0.565	0.605	0.643	0.682
	91.4	0.117	0.162	0.206	0.251	0.296	0.340	0.385	0.430	0.474	0.519	0.564	0.608	0.653	0.698	0.742	0.787
	101.6	0.125	0.172	0.219	0.267	0.314	0.361	0.408	0.456	0.503	0.551	0.598	0.645	0.693	0.740	0.788	0.835
	111.8	0.155	0.214	0.273	0.332	0.391	0.450	0.509	0.568	0.627	0.686	0.745	0.804	0.863	0.923	0.981	1.041
	121.9	0.179	0.246	0.314	0.382	0.450	0.518	0.586	0.654	0.722	0.790	0.860	0.925	0.993	1.061	1.129	1.197
	132.1	0.183	0.253	0.323	0.392	0.462	0.533	0.603	0.672	0.742	0.812	0.882	0.951	1.021	1.091	1.161	1.230
	142.2	0.198	0.274	0.350	0.425	0.501	0.577	0.652	0.728	0.804	0.879	0.954	1.030	1.106	1.181	1.257	1.333
	152.4	0.219	0.303	0.387	0.471	0.554	0.638	0.722	0.805	0.889	0.973	1.056	1.140	1.224	1.308	1.391	1.475
	162.6	0.242	0.335	0.427	0.519	0.611	0.703	0.796	0.888	0.980	1.072	1.165	1.257	1.349	1.442	1.534	1.627
	172.7	0.247	0.342	0.436	0.530	0.625	0.719	0.813	0.908	1.002	1.096	1.190	1.284	1.379	1.473	1.568	1.662
	182.9	0.261	0.360	0.459	0.559	0.658	0.758	0.857	0.957	1.056	1.155	1.255	1.354	1.454	1.553	1.653	1.751
	193.0	0.280	0.387	0.494	0.601	0.708	0.815	0.921	1.028	1.135	1.242	1.349	1.455	1.561	1.668	1.775	1.882
203.2	0.299	0.413	0.526	0.641	0.754	0.869	0.982	1.096	1.210	1.324	1.438	1.552	1.666	1.780	1.893	2.008	
213.4	0.312	0.431	0.550	0.669	0.788	0.906	1.025	1.144	1.263	1.382	1.501	1.619	1.738	1.857	1.976	2.095	
223.5	0.327	0.452	0.578	0.702	0.827	0.951	1.076	1.202	1.326	1.451	1.575	1.700	1.826	1.950	2.075	2.199	
233.7	0.340	0.471	0.601	0.730	0.860	0.990	1.120	1.249	1.379	1.508	1.639	1.769	1.898	2.028	2.158	2.288	
243.8	0.357	0.494	0.630	0.765	0.902	1.038	1.174	1.310	1.446	1.583	1.719	1.854	1.991	2.127	2.263	2.399	
254.0	0.379	0.523	0.668	0.812	0.956	1.100	1.244	1.388	1.534	1.678	1.822	1.966	2.110	2.254	2.399	2.544	
264.2	0.383	0.529	0.675	0.821	0.967	1.113	1.259	1.405	1.551	1.697	1.843	1.989	2.135	2.280	2.426	2.572	
274.3	0.395	0.546	0.697	0.848	0.999	1.149	1.300	1.451	1.601	1.752	1.903	2.053	2.204	2.355	2.505	2.656	
284.5	0.407	0.563	0.718	0.873	1.028	1.183	1.338	1.494	1.649	1.804	1.960	2.114	2.269	2.425	2.580	2.735	
294.6	0.422	0.583	0.744	0.905	1.065	1.226	1.387	1.548	1.708	1.869	2.030	2.191	2.352	2.512	2.673	2.834	
304.8	0.438	0.605	0.771	0.938	1.105	1.272	1.439	1.605	1.773	1.939	2.106	2.273	2.439	2.606	2.773	2.940	

FREE AREA IN SQUARE FEET

		WIDTH IN INCHES															
		12	16	20	24	28	32	36	40	44	48	52	56	60	64	68	72
HEIGHT	12	0.24	0.33	0.43	0.52	0.61	0.70	0.79	0.89	0.98	1.07	1.16	1.26	1.35	1.44	1.53	1.62
	16	0.41	0.56	0.72	0.87	1.03	1.18	1.34	1.50	1.65	1.81	1.96	2.12	2.27	2.43	2.58	2.74
	20	0.58	0.79	1.01	1.23	1.45	1.67	1.89	2.11	2.33	2.55	2.77	2.99	3.21	3.42	3.64	3.86
	24	0.81	1.12	1.42	1.73	2.04	2.35	2.66	2.97	3.27	3.58	3.89	4.20	4.51	4.81	5.12	5.43
	28	0.95	1.31	1.67	2.04	2.40	2.76	3.12	3.48	3.85	4.21	4.57	4.93	5.29	5.66	6.02	6.38
	32	1.09	1.51	1.92	2.34	2.75	3.17	3.59	4.00	4.42	4.83	5.25	5.66	6.08	6.50	6.91	7.33
	36	1.26	1.74	2.22	2.70	3.18	3.66	4.14	4.62	5.10	5.58	6.06	6.54	7.02	7.50	7.98	8.46
	40	1.34	1.85	2.36	2.87	3.38	3.88	4.39	4.90	5.41	5.92	6.43	6.94	7.45	7.96	8.47	8.98
	44	1.67	2.30	2.94	3.57	4.20	4.84	5.47	6.11	6.74	7.38	8.01	8.65	9.28	9.92	10.55	11.19
	48	1.92	2.65	3.38	4.11	4.84	5.57	6.30	7.03	7.76	8.49	9.25	9.95	10.68	11.41	12.14	12.87
	52	1.97	2.72	3.47	4.22	4.97	5.73	6.48	7.23	7.98	8.73	9.48	10.23	10.98	11.73	12.48	13.23
	56	2.13	2.95	3.76	4.57	5.39	6.20	7.01	7.83	8.64	9.45	10.26	11.08	11.89	12.70	13.52	14.33
	60	2.36	3.26	4.16	5.06	5.96	6.86	7.76	8.66	9.56	10.46	11.36	12.26	13.16	14.06	14.96	15.86
	64	2.60	3.60	4.59	5.58	6.57	7.56	8.56	9.55	10.54	11.53	12.53	13.52	14.51	15.50	16.49	17.49
	68	2.66	3.68	4.69	5.70	6.72	7.73	8.74	9.76	10.77	11.79	12.80	13.81	14.83	15.84	16.86	17.87
	72	2.81	3.87	4.94	6.01	7.08	8.15	9.22	10.29	11.35	12.42	13.49	14.56	15.63	16.70	17.77	18.83
	76	3.01	4.16	5.31	6.46	7.61	8.76	9.90	11.05	12.20	13.35	14.50	15.64	16.79	17.94	19.09	20.24
80	3.22	4.44	5.66	6.89	8.11	9.34	10.56	11.79	13.01	14.24	15.46	16.69	17.91	19.14	20.36	21.59	
84	3.35	4.63	5.91	7.19	8.47	9.74	11.02	12.30	13.58	14.86	16.14	17.41	18.69	19.97	21.25	22.53	
88	3.52	4.86	6.21	7.55	8.89	10.23	11.57	12.92	14.26	15.60	16.94	18.28	19.63	20.97	22.31	23.65	
92	3.66	5.06	6.46	7.85	9.25	10.64	12.04	13.43	14.83	16.22	17.62	19.02	20.41	21.81	23.20	24.60	
96	3.84	5.31	6.77	8.23	9.70	11.16	12.62	14.09	15.55	17.02	18.48	19.94	21.41	22.87	24.33	25.80	
100	4.07	5.62	7.18	8.73	10.28	11.83	13.38	14.93	16.49	18.04	19.59	21.14	22.69	24.24	25.80	27.35	
104	4.12	5.69	7.26	8.83	10.40	11.97	13.54	15.11	16.68	18.25	19.82	21.39	22.96	24.52	26.09	27.66	
108	4.25	5.87	7.49	9.12	10.74	12.36	13.98	15.60	17.22	18.84	20.46	22.08	23.70	25.32	26.94	28.56	
112	4.38	6.05	7.72	9.39	11.05	12.72	14.39	16.06	17.73	19.40	21.07	22.73	24.40	26.07	27.74	29.41	
116	4.54	6.27	8.00	9.73	11.45	13.18	14.91	16.64	18.37	20.10	21.83	23.56	25.29	27.01	28.74	30.47	
120	4.71	6.50	8.29	10.09	11.88	13.68	15.47	17.26	19.06	20.85	22.64	24.44	26.23	28.02	29.82	31.61	

This louver offers a 50% free area plus the economy of steel construction makes it ideal for any installation



STANDARD FINISH: Galvanized or Satin Coat

OPTION: Any colour baked enamel finish

SPECIFICATIONS

Blade Material	Blade Angle	Blade Center	Frame Material	Louver Depth	Bird Screen
24 ga. up to 36 x 36, 22 ga. over 46", 20 ga. over 48"	45 deg.	3" / 76 mm	24 ga. up to 36 x 36, 22 ga. over 36", 20 ga. over 48"	2" / 51mm	.5" x .5" / 19 ga. galv

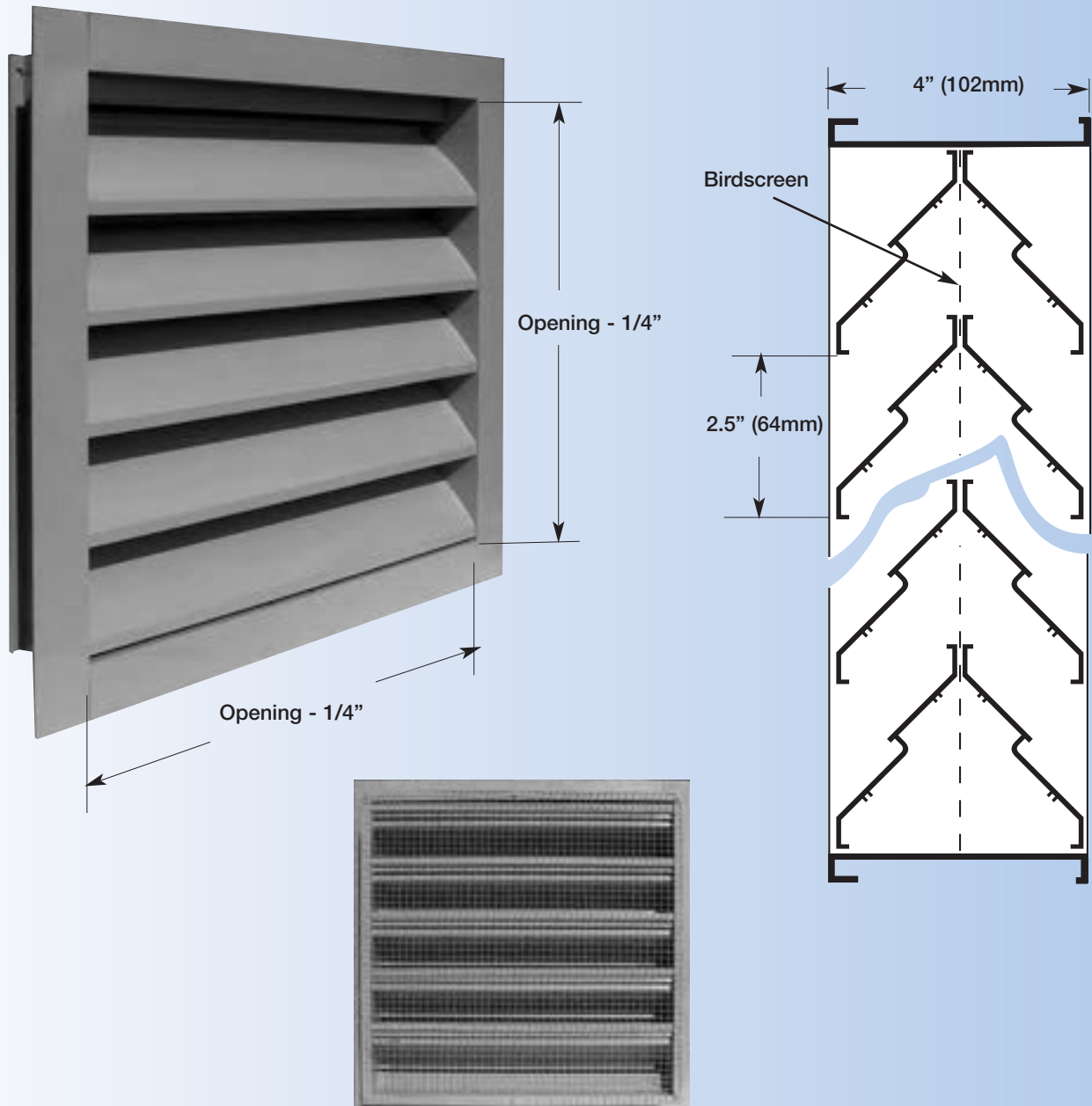
50% FREE AREA IN SQUARE METERS

		WIDTH IN CENTIMETER																	
		20.3	25.4	30.5	35.6	40.6	45.7	50.8	61.0	71.1	81.3	91.4	101.6	117.8	121.9	137.2	152.4	167.6	182.9
H	20.3	0.009	0.011	0.013	0.016	0.019	0.020	0.023	0.028	0.032	0.037								
E	25.4	0.013	0.017	0.020	0.023	0.027	0.031	0.033	0.041	0.047	0.054	0.060	0.073						
I	30.5	0.019	0.022	0.026	0.032	0.037	0.041	0.047	0.054	0.063	0.072	0.080	0.094	0.100	0.120				
G	35.6	0.022	0.028	0.033	0.039	0.045	0.050	0.056	0.067	0.078	0.089	0.101	0.126	0.140	0.152	0.155	0.173		
H	45.7	0.028	0.033	0.039	0.047	0.056	0.061	0.070	0.081	0.095	0.109	0.121	0.153	0.167	0.183	0.191	0.212	0.233	0.254
T	50.8	0.032	0.039	0.047	0.055	0.062	0.071	0.078	0.093	0.110	0.125	0.140	0.179	0.196	0.214	0.231	0.256	0.282	0.308
	61.0	0.037	0.045	0.052	0.063	0.074	0.082	0.093	0.108	0.125	0.140	0.160	0.205	0.225	0.246	0.266	0.296	0.325	0.354
I	71.1	0.044	0.055	0.066	0.074	0.087	0.099	0.108	0.132	0.153	0.176	0.197	0.251	0.269	0.303	0.364	0.374	0.411	0.448
N	81.3	0.053	0.066	0.079	0.092	0.106	0.119	0.132	0.158	0.185	0.211	0.238	0.305	0.335	0.365	0.411	0.458	0.503	0.549
	91.4	0.061	0.076	0.091	0.107	0.122	0.138	0.153	0.178	0.213	0.244	0.274	0.357	0.392	0.430	0.482	0.536	0.607	0.643
C	101.8	0.070	0.087	0.105	0.123	0.140	0.157	0.175	0.238	0.245	0.280	0.314	0.409	0.450	0.491	0.552	0.615	0.670	0.737
E	117.8	0.092	0.115	0.138	0.161	0.184	0.207	0.199	0.276	0.323	0.368	0.415	0.461	0.507	0.553	0.628	0.698	0.767	0.837
N	137.2	0.094	0.128	0.153	0.179	0.205	0.231	0.257	0.317	0.359	0.410	0.461	0.513	0.565	0.616	0.703	0.781	0.859	0.939
T	152.4	0.112	0.140	0.168	0.196	0.224	0.252	0.281	0.337	0.392	0.449	0.505	0.561	0.622	0.673	0.768	0.854	0.930	1.0236

50% FREE AREA IN SQUARE FEET

		WIDTH IN INCHES																	
		8	10	12	14	16	18	20	24	28	32	36	40	44	48	54	60	66	72
H	8	0.10	0.12	0.14	0.17	0.20	0.22	0.25	0.30	0.34	0.40								
E	10	0.14	0.18	0.22	0.25	0.29	0.33	0.36	0.44	0.50	0.58	0.65	0.79						
I	12	0.20	0.24	0.28	0.34	0.40	0.44	0.50	0.58	0.68	0.77	0.86	1.01	1.08	1.29				
G	14	0.24	0.30	0.36	0.42	0.48	0.54	0.60	0.72	0.84	0.96	1.09	1.36	1.50	1.63	1.67	1.86		
H	16	0.30	0.36	0.42	0.51	0.60	0.66	0.75	0.87	1.02	1.17	1.30	1.64	1.80	1.97	2.05	2.28	2.50	2.73
T	18	0.34	0.42	0.50	0.59	0.67	0.76	0.84	1.00	1.18	1.34	1.51	1.92	2.11	2.30	2.48	2.75	3.03	3.31
	20	0.40	0.48	0.56	0.68	0.80	0.88	1.00	1.16	1.34	1.51	1.72	2.20	2.42	2.64	2.86	3.18	3.49	3.81
I	24	0.47	0.59	0.71	0.80	0.94	1.06	1.16	1.42	1.65	1.89	2.12	2.70	2.89	3.26	3.91	4.02	4.42	4.82
N	28	0.57	0.71	0.85	0.99	1.14	1.28	1.42	1.70	1.99	2.27	2.56	3.28	3.60	3.93	4.42	4.92	5.41	5.90
	32	0.66	0.82	0.98	1.15	1.31	1.48	1.64	1.91	2.29	2.62	2.95	3.84	4.22	4.62	5.18	5.76	6.53	6.91
I	36	0.75	0.94	1.13	1.32	1.50	1.69	1.88	2.56	2.63	3.01	3.38	4.40	4.84	5.28	5.94	6.61	7.20	7.92
N	40	0.99	1.24	1.48	1.73	1.98	2.23	2.14	2.97	3.47	3.96	4.46	4.96	5.45	5.95	6.75	7.50	8.25	9.00
C	44	1.01	1.38	1.65	1.93	2.20	2.48	2.76	3.41	3.86	4.41	4.96	5.52	6.07	6.62	7.56	8.40	9.24	10.10
H	48	1.20	1.51	1.81	2.11	2.41	2.71	3.02	3.62	4.22	4.83	5.43	6.03	6.69	7.24	8.26	9.18	10.00	11.00

Extruded aluminum double 2" LOUVERS, bird screen in centre



STANDARD FINISH: Mill Finish

OPTION: Any colour baked enamel finish, anodized finish

SPECIFICATIONS

Blade Material	Blade Angle	Blade Center	Frame Material	Louver Depth	Bird Screen
Extruded Alum. 0.085" (2.16mm)	45 deg.	2.5" 64 mm	Extruded Alum. 0.085" (2.16 mm)	4" 102mm	.5" x .5" 19 ga. galv

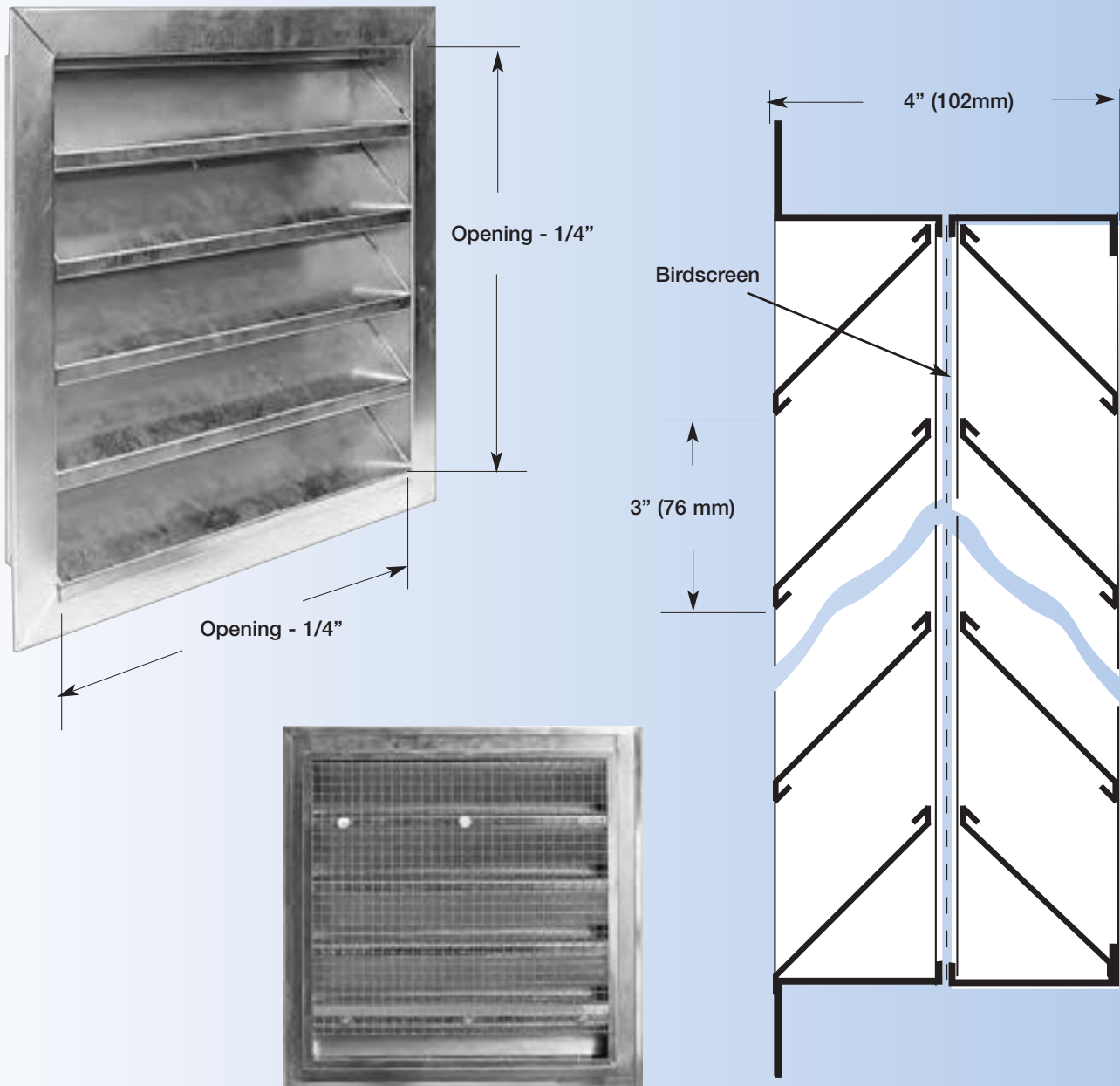
FREE AREA IN SQUARE METERS

		WIDTH IN CENTIMETERS															
		30.5	40.6	50.8	61.0	71.1	81.3	91.4	101.6	111.8	121.9	132.1	142.2	152.4	162.6	172.7	182.9
H	30.5	0.03	0.04	0.04	0.05	0.06	0.07	0.08	0.09	0.10	0.11	0.12	0.13	0.14	0.15	0.16	0.17
E	40.6	0.035	0.048	0.062	0.076	0.089	0.103	0.117	0.130	0.144	0.158	0.171	0.185	0.199	0.212	0.226	0.240
I	50.8	0.045	0.062	0.080	0.098	0.114	0.132	0.150	0.167	0.184	0.202	0.219	0.237	0.255	0.272	0.289	0.307
G	61.0	0.055	0.076	0.098	0.118	0.140	0.161	0.182	0.204	0.225	0.246	0.268	0.289	0.311	0.332	0.352	0.374
H	71.1	0.064	0.089	0.114	0.140	0.165	0.190	0.215	0.240	0.265	0.291	0.316	0.341	0.366	0.392	0.417	0.442
T	81.3	0.074	0.103	0.132	0.161	0.190	0.219	0.248	0.277	0.306	0.335	0.364	0.392	0.422	0.451	0.480	0.509
	91.4	0.084	0.117	0.150	0.182	0.215	0.248	0.281	0.313	0.346	0.379	0.412	0.445	0.478	0.511	0.543	0.576
I	101.6	0.094	0.130	0.167	0.204	0.240	0.277	0.313	0.351	0.387	0.423	0.460	0.497	0.534	0.570	0.606	0.644
N	111.8	0.103	0.144	0.184	0.225	0.265	0.306	0.346	0.387	0.427	0.468	0.508	0.549	0.589	0.630	0.670	0.711
	121.9	0.113	0.158	0.202	0.246	0.291	0.335	0.379	0.423	0.468	0.512	0.556	0.601	0.644	0.689	0.734	0.777
C	132.1	0.124	0.171	0.219	0.268	0.316	0.364	0.412	0.460	0.508	0.556	0.605	0.653	0.700	0.749	0.797	0.845
E	142.2	0.133	0.185	0.237	0.289	0.341	0.392	0.445	0.497	0.549	0.601	0.653	0.705	0.756	0.901	0.860	0.912
N	152.4	0.143	0.199	0.255	0.311	0.366	0.422	0.478	0.534	0.589	0.644	0.700	0.756	0.812	0.868	0.923	0.979
T	162.6	0.153	0.212	0.272	0.332	0.392	0.451	0.511	0.570	0.630	0.689	0.749	0.808	0.868	0.927	0.988	1.047
I	172.7	0.163	0.226	0.289	0.352	0.417	0.480	0.543	0.606	0.670	0.734	0.797	0.860	0.923	0.988	1.051	1.114
M	182.9	0.172	0.240	0.307	0.374	0.442	0.509	0.576	0.644	0.711	0.777	0.845	0.912	0.979	1.047	1.114	1.181
E	193.0	0.182	0.253	0.325	0.395	0.467	0.538	0.609	0.680	0.751	0.822	0.893	0.964	1.035	1.107	1.177	1.249
T	203.2	0.192	0.267	0.342	0.417	0.492	0.566	0.642	0.716	0.791	0.867	0.941	1.016	1.091	1.166	1.241	1.316
R	213.4	0.202	0.281	0.359	0.438	0.517	0.595	0.674	0.753	0.832	0.910	0.990	1.069	1.147	1.226	1.305	1.383
E	223.5	0.212	0.294	0.377	0.459	0.542	0.625	0.707	0.790	0.872	0.955	1.038	1.120	1.202	1.285	1.368	1.451
S	233.7	0.221	0.308	0.394	0.481	0.567	0.654	0.740	0.827	0.913	0.999	1.085	1.172	1.258	1.345	1.431	1.518
	243.8	0.232	0.322	0.412	0.502	0.592	0.683	0.773	0.863	0.953	1.043	1.134	1.224	1.314	1.404	1.495	1.585

FREE AREA IN SQUARE FEET

		WIDTH IN INCHES															
		12	16	20	24	28	32	36	40	44	48	52	56	60	64	68	72
	12	0.27	0.38	0.48	0.59	0.69	0.80	0.90	1.01	1.11	1.22	1.33	1.43	1.54	1.64	1.75	1.85
	16	0.38	0.52	0.67	0.82	0.96	1.11	1.26	1.40	1.55	1.70	1.84	1.99	2.14	2.28	2.43	2.58
	20	0.48	0.67	0.86	1.05	1.23	1.42	1.61	1.80	1.98	2.17	2.36	2.55	2.74	2.92	3.11	3.30
	24	0.59	0.82	1.05	1.27	1.50	1.73	1.96	2.19	2.42	2.65	2.88	3.11	3.34	3.57	3.79	4.02
	28	0.69	0.96	1.23	1.50	1.77	2.04	2.31	2.58	2.85	3.13	3.40	3.67	3.94	4.21	4.48	4.75
H	32	0.80	1.11	1.42	1.73	2.04	2.36	2.67	2.98	3.29	3.60	3.91	4.22	4.54	4.85	5.16	5.47
E	36	0.90	1.26	1.61	1.96	2.31	2.67	3.02	3.37	3.72	4.08	4.43	4.78	5.14	5.49	5.84	6.19
I	40	1.01	1.40	1.80	2.19	2.58	2.98	3.37	3.77	4.16	4.55	4.95	5.34	5.74	6.13	6.52	6.92
G	44	1.11	1.55	1.98	2.42	2.85	3.29	3.72	4.16	4.59	5.03	5.46	5.90	6.33	6.77	7.20	7.64
H	48	1.22	1.70	2.17	2.65	3.13	3.60	4.08	4.55	5.03	5.51	5.98	6.46	6.93	7.41	7.89	8.36
T	52	1.33	1.84	2.36	2.88	3.40	3.91	4.43	4.95	5.46	5.98	6.50	7.02	7.53	8.05	8.57	9.09
	56	1.43	1.99	2.55	3.11	3.67	4.22	4.78	5.34	5.90	6.46	7.02	7.58	8.13	8.69	9.25	9.81
I	60	1.54	2.14	2.74	3.34	3.94	4.54	5.14	5.74	6.33	6.93	7.53	8.13	8.73	9.33	9.93	10.53
N	64	1.64	2.28	2.92	3.57	4.21	4.85	5.49	6.13	6.77	7.41	8.05	8.69	9.33	9.97	10.62	11.26
	68	1.75	2.43	3.11	3.79	4.48	5.16	5.84	6.52	7.20	7.89	8.57	9.25	9.93	10.62	11.30	11.98
I	72	1.85	2.58	3.30	4.02	4.75	5.47	6.19	6.92	7.64	8.36	9.09	9.81	10.53	11.26	11.98	12.70
N	76	1.96	2.72	3.49	4.25	5.02	5.78	6.55	7.31	8.08	8.84	9.60	10.37	11.13	11.90	12.66	13.43
C	80	2.06	2.87	3.68	4.48	5.29	6.09	6.90	7.70	8.51	9.32	10.12	10.93	11.73	12.54	13.34	14.15
H	84	2.17	3.02	3.86	4.71	5.56	6.40	7.25	8.10	8.95	9.79	10.64	11.49	12.33	13.18	14.03	14.87
E	88	2.28	3.16	4.05	4.94	5.83	6.72	7.60	8.49	9.38	10.27	11.16	12.04	12.93	13.82	14.71	15.60
S	92	2.38	3.31	4.24	5.17	6.10	7.03	7.96	8.89	9.82	10.74	11.67	12.60	13.53	14.46	15.39	16.32
	96	2.49	3.46	4.43	5.40	6.37	7.34	8.31	9.28	10.25	11.22	12.19	13.16	14.13	15.10	16.07	17.04

This louver can be constructed of any material up to 10 ga. and has welded construction.



STANDARD FINISH: Galvanized or Satin Coat
OPTION: Any colour baked enamel finish

SPECIFICATIONS

Blade Material	Blade Angle	Blade Center	Frame Material	Louver Depth	Bird Screen
16 ga. Galv. or Satin Coat	45 deg.	3" 76 mm	16 ga. Galv. or Satin Coat	4" 102 mm	.5" x .5" 19 ga. galv

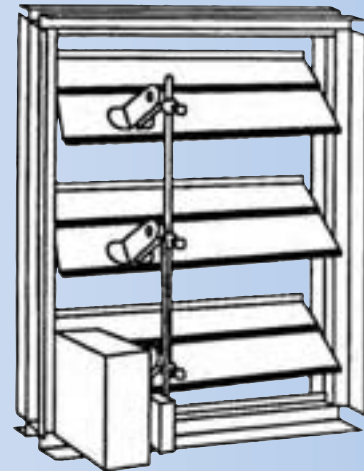
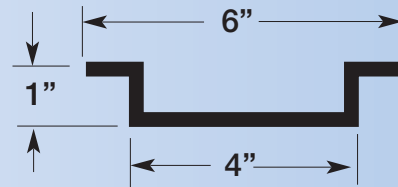
50% FREE AREA IN SQUARE METERS

		WIDTH IN CENTIMETER																	
		20.3	25.4	30.5	35.6	40.6	45.7	50.8	61.0	71.1	81.3	91.4	101.6	117.8	121.9	137.2	152.4	167.6	182.9
H	20.3	0.020	0.026	0.031	0.036	0.041	0.047	0.052	0.062	0.073	0.083	0.093	0.103	0.113	0.124				
E	25.4	0.026	0.033	0.039	0.046	0.052	0.059	0.064	0.077	0.090	0.103	0.116	0.129	0.142	0.155	0.175			
I	30.5	0.031	0.039	0.047	0.054	0.062	0.070	0.077	0.093	0.109	0.124	0.140	0.155	0.170	0.186	0.209	0.233		
G	35.6	0.036	0.046	0.054	0.063	0.073	0.082	0.090	0.109	0.126	0.145	0.163	0.180	0.199	0.217	0.245	0.272	0.299	
H	45.7	0.041	0.052	0.062	0.073	0.083	0.093	0.103	0.124	0.145	0.166	0.186	0.206	0.227	0.248	0.279	0.310	0.341	0.372
T	50.8	0.047	0.059	0.070	0.082	0.093	0.105	0.116	0.140	0.163	0.186	0.209	0.233	0.256	0.279	0.314	0.349	0.384	0.419
	61.0	0.052	0.064	0.077	0.090	0.103	0.116	0.129	0.155	0.180	0.206	0.233	0.259	0.285	0.310	0.349	0.388	0.426	0.465
I	71.1	0.062	0.077	0.093	0.109	0.124	0.140	0.155	0.186	0.217	0.248	0.279	0.310	0.341	0.372	0.419	0.465	0.512	0.558
N	81.3	0.073	0.090	0.109	0.126	0.145	0.163	0.180	0.217	0.253	0.289	0.326	0.362	0.398	0.434	0.488	0.542	0.597	0.651
	91.4	0.083	0.103	0.124	0.145	0.166	0.186	0.206	0.248	0.289	0.331	0.372	0.413	0.455	0.496	0.558	0.620	0.682	0.744
C	101.8	0.093	0.116	0.140	0.163	0.186	0.209	0.233	0.279	0.326	0.372	0.419	0.465	0.512	0.558	0.628	0.698	0.767	0.837
E	117.8	0.103	0.129	0.155	0.180	0.206	0.233	0.259	0.310	0.362	0.413	0.465	0.517	0.568	0.620	0.698	0.775	0.853	0.930
N	137.2	0.113	0.142	0.170	0.199	0.227	0.256	0.285	0.341	0.398	0.455	0.512	0.568	0.625	0.682	0.767	0.853	0.937	1.023
T	152.4	0.124	0.155	0.186	0.217	0.248	0.279	0.310	0.372	0.434	0.496	0.558	0.620	0.682	0.744	0.837	0.930	1.023	1.116

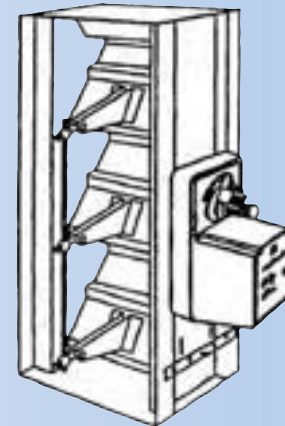
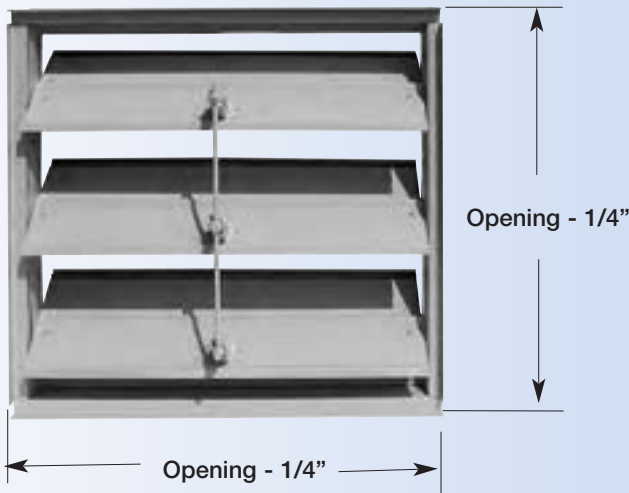
50% FREE AREA IN SQUARE FEET

		WIDTH IN INCHES																	
		8	10	12	14	16	18	20	24	28	32	36	40	44	48	54	60	66	72
H	8	0.22	0.28	0.33	0.39	0.44	0.50	0.56	0.67	0.78	0.89	1.00	1.11	1.22	1.33				
E	10	0.28	0.35	0.42	0.49	0.56	0.63	0.69	0.83	0.97	1.11	1.25	1.39	1.53	1.67	1.88			
I	12	0.33	0.42	0.51	0.58	0.67	0.75	0.83	1.00	1.17	1.33	1.50	1.67	1.83	2.00	2.25	2.50		
G	14	0.39	0.49	0.58	0.68	0.78	0.88	0.97	1.17	1.36	1.56	1.75	1.94	2.14	2.33	2.63	2.92	3.21	
H	16	0.44	0.56	0.67	0.78	0.89	1.00	1.11	1.33	1.56	1.78	2.00	2.22	2.44	2.67	3.00	3.33	3.67	4.00
T	18	0.50	0.63	0.75	0.88	1.00	1.13	1.25	1.50	1.75	2.00	2.25	2.50	2.75	3.00	3.38	3.75	4.13	4.50
	20	0.56	0.69	0.83	0.97	1.11	1.25	1.39	1.67	1.94	2.22	2.50	2.78	3.06	3.33	3.75	4.17	4.58	5.00
I	24	0.67	0.83	1.00	1.17	1.33	1.50	1.67	2.00	2.33	2.67	3.00	3.33	3.67	4.00	4.50	5.00	5.50	6.00
N	28	0.78	0.97	1.17	1.36	1.56	1.75	1.94	2.33	2.72	3.11	3.50	3.89	4.28	4.67	5.25	5.83	6.42	7.00
	32	0.89	1.11	1.33	1.56	1.78	2.00	2.22	2.67	3.11	3.56	4.00	4.44	4.89	5.33	6.00	6.67	7.33	8.00
I	36	1.00	1.25	1.50	1.75	2.00	2.25	2.50	3.00	3.50	4.00	4.50	5.00	5.50	6.00	6.75	7.50	8.25	9.00
N	40	1.11	1.39	1.67	1.94	2.22	2.50	2.78	3.33	3.89	4.44	5.00	5.56	6.11	6.67	7.50	8.33	9.17	10.00
C	44	1.22	1.53	1.83	2.14	2.44	2.75	3.06	3.67	4.28	4.89	5.50	6.11	6.72	7.33	8.25	9.17	10.08	11.00
H	48	1.33	1.67	2.00	2.33	2.67	3.00	3.33	4.00	4.67	5.33	6.00	6.67	7.33	8.00	9.00	10.00	11.00	12.00

The damper is equipped with blade rubber seal and stainless steel jamb seals for low leakage applications.



MOTOR INSIDE OF AIR STREAM
ANY POSITION



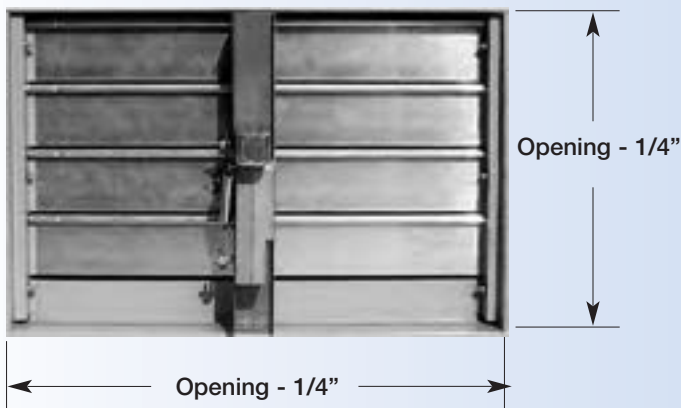
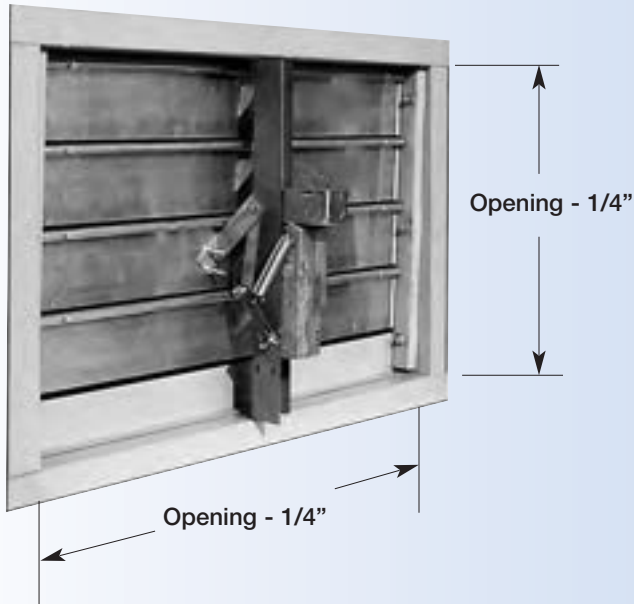
MOTOR OUTSIDE OF AIR STREAM
DIRECT COUPLED

STANDARD FINISH: Galvanized or Satin Coat

SPECIFICATIONS

Blade	Frame	Linkage	Axis	Control	Size	
					Minimum	Maximum
6" wide 16 ga.	6" 16 ga.	OH Blade	1/2" (13 mm). Pl. steel	Handyquad or Motor	6" x 6" (152 x 152 mm)	48" x 48" one motor (129 x 1219 mm)

**LIGHT DUTY
EXTRUDED ALUMINUM BLADE
AND GALVANIZED STEEL FRAME
MOTORIZED CONTROL DAMPER**

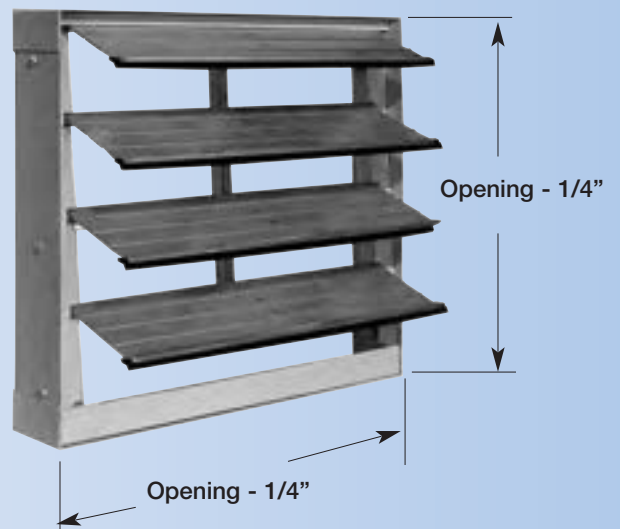
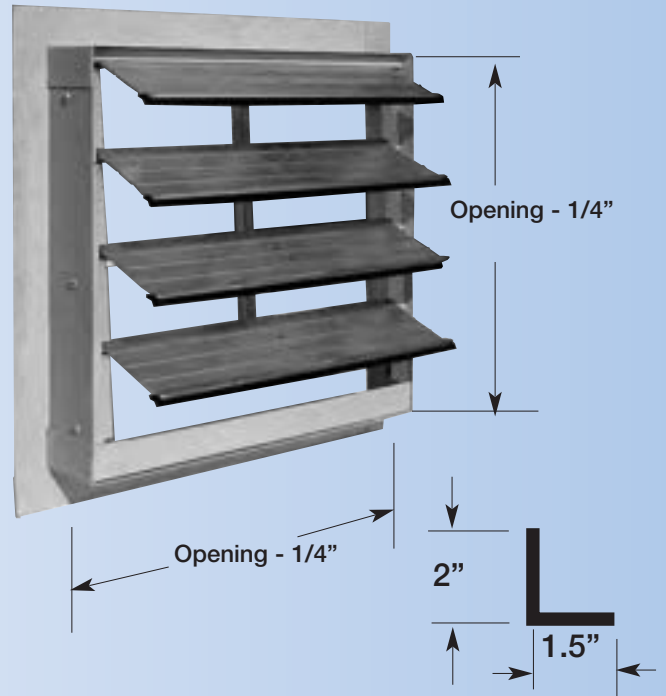


STANDARD FINISH: Galvanized or Satin Coat
(blades mill finish)
OPTION: Any colour baked enamel finish

SPECIFICATIONS

Blade Material	Frame Material	Linkage	Max. Size	Bird Screen
Extruded Alum. (1.57mm)	14 ga. Galv. or Satin Coat	St. Steel tiebar and removable washer	8 sq. ft.	.5" x .5" 19 ga. galv.

**LIGHT DUTY
EXTRUDED ALUMINUM BLADE
AND GALVANIZED STEEL FRAME
SHUTTER OR BACKDRAFT DAMPER**





REVERSOMATIC

MANUFACTURING LIMITED

HEAD OFFICE :

REVERSOMATIC CANADA

790 Rowntree Dairy Road
Woodbridge, Ontario
L4L 5V3

Phone (905) 851-6701
Fax (905) 851-8376
Toll Free (866) 890-6457

REVERSOMATIC U.S.A

2555 Porter Lake Drive, Suite 103
Sarasota, FL 34240

Phone (941) 870-2320
Fax (941) 870-0652
Toll Free (800) 499-5073

www.reversomatic.com
info@reversomatic.com