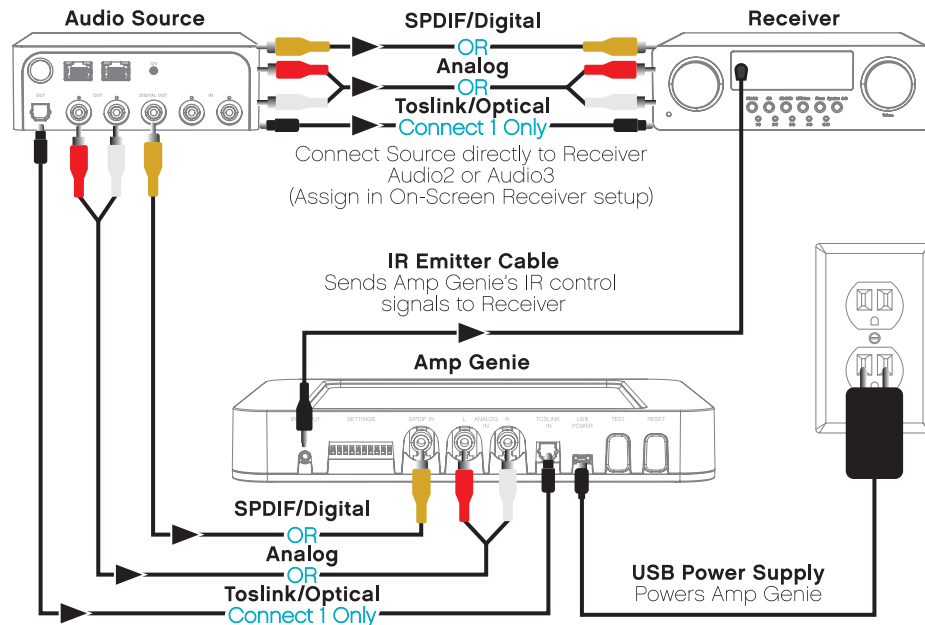


5 CONNECT AUDIO TO AMP GENIE

Connect a 2nd audio feed from your audio source to ONE of Amp Genie's 3 inputs (SPDIF/Analog/Optical). Connect ONLY ONE audio cable to Amp Genie. All 3 inputs are treated equally for triggering purposes. If your source has only 1 Analog output, then use the included Analog Audio Cable w/Built-in Splitter.



6 CUSTOMIZE ADVANCED FEATURES USING SWITCHES 2-6

Now that your receiver is controlled properly by Amp Genie, customize other settings using Switches 2-6. See Step 1 for a guide to each Switch's functionality.

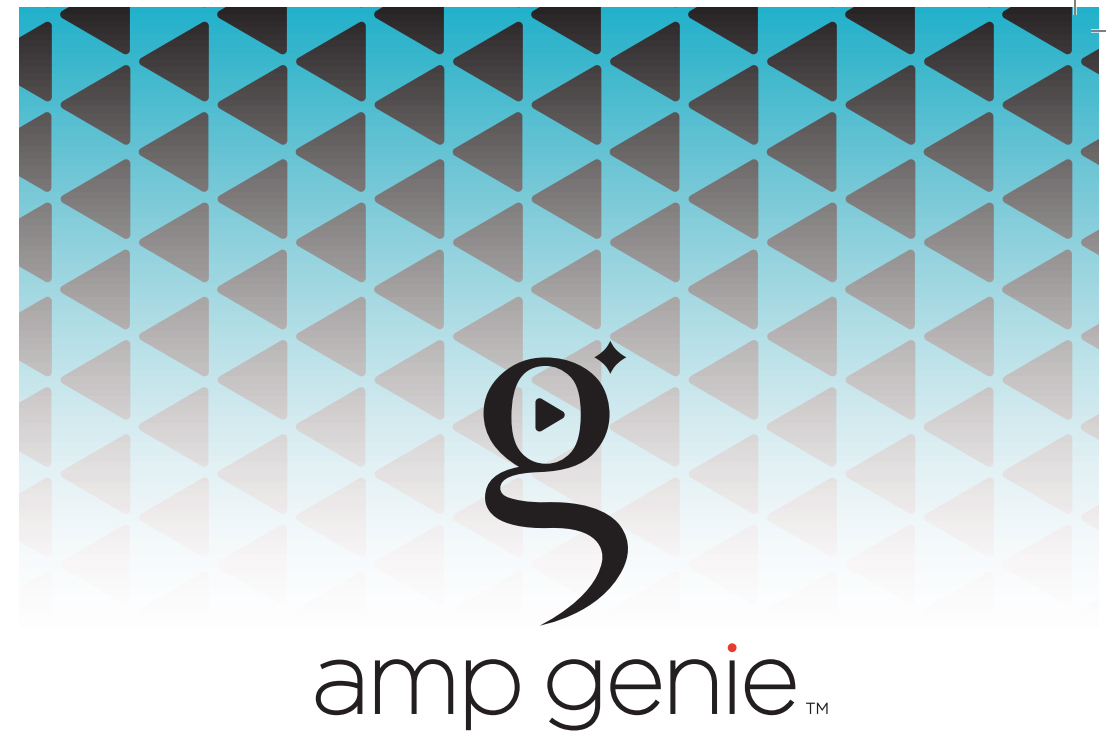
For a full list of advanced features, including how to use 2 Amp Genies with a single receiver, to automate multiple input sources, go to www.AmpGenie.com/support or scan the QR code below.



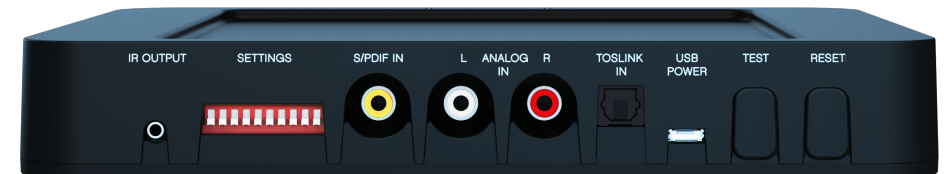
IMPORTANT TIPS

- Always press RESET or Cycle Power after changing Switch settings.
- Keep your audio source volume at minimum 40% so Amp Genie can hear it.
- For TV Audio (Optical or SPDIF), set TV's Digital Output Format to PCM.
- If you require further technical assistance, please visit www.AmpGenie.com/support.

888-3-Amp-Genie // www.AmpGenie.com
 333 Washington Boulevard, #444, Marina Del Rey, CA 90292
 Patent Pending // Copyright © 2023 // All Rights Reserved



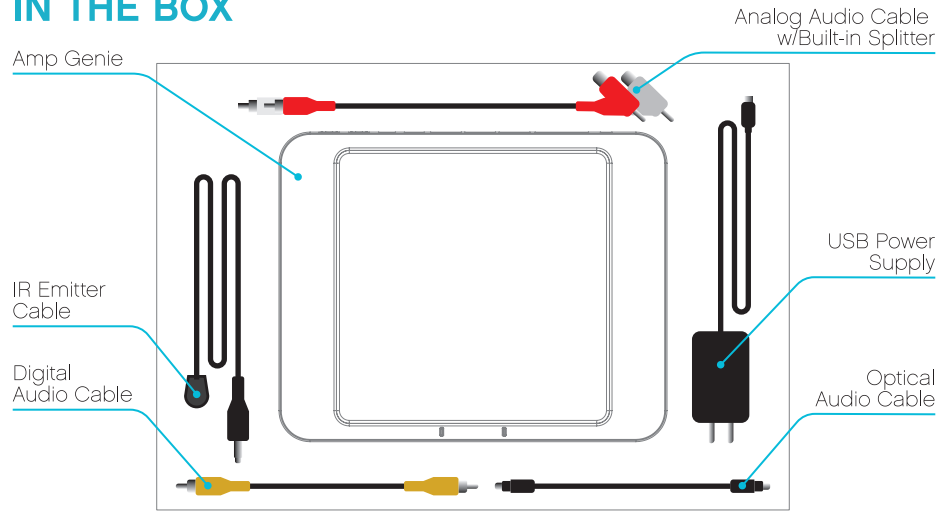
Signal-Sensing Automatic Remote Control



Performance Telecomm Inc. // Amp Genie - Gen 1
 SKU - 2112 // Designed in the USA
 Assembled in China // 5V DC @ 80mA max

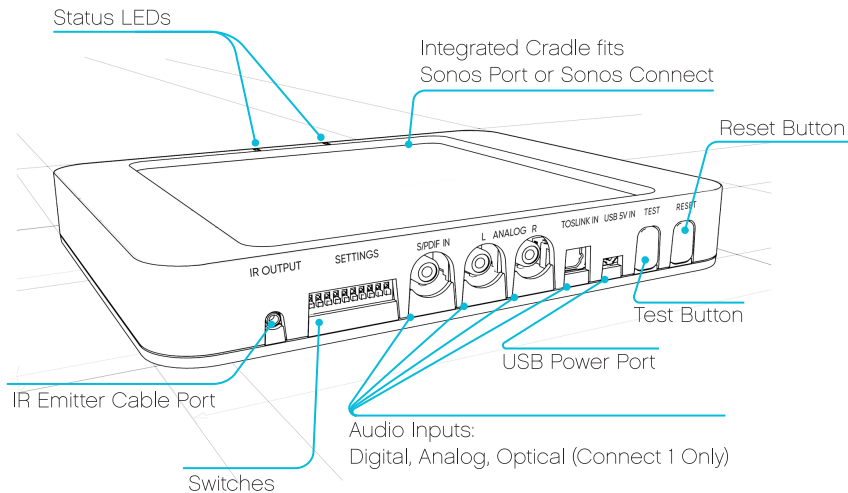


IN THE BOX



MEET YOUR AMP GENIE

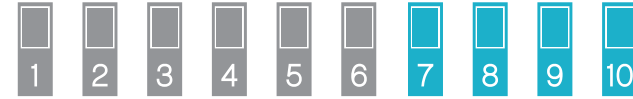
Feature	Function
LEFT STATUS LED	"Heartbeat" LED - blinks GREEN 1x per second.
RIGHT STATUS LED	"Standby" LED - solid RED when in Standby/Listening Mode, Blinks GREEN for ANALOG Audio, Blinks BLUE for DIGITAL Audio.
IR EMITTER LED	IR emitter blinks RED when Amp Genie sends IR commands to receiver.
RESET BUTTON	Resets device and saves settings.
TEST BUTTON	Short Press for Power On Sequence, Long Press for Power Off.



QUICK START INSTRUCTIONS

1 SET SWITCHES

A. Set Switches #1-6 to OFF for initial setup.



B. Set Switches #7-10 for your receiver brand.

Functionality Switches 1-6: UP=On, DOWN=Off

Receiver Brand Switches 7-10: UP=1, DOWN=0

1	Input Select	Input A / Input B	Yamaha	0000	Integra	0101
2	Volume Med / High	Med / High	AudioControl	0001	Pioneer	0110
3	Auto Volume	Enable / Disable	Denon	0010	Anthem	0111
4	All Ch Stereo DSP	Enable / Disable	Marantz	0011		
5	Auto Off Delay	10 Mins / 1 Min	Sony	0100		
6	Auto Off	Enable / Disable	Onkyo	0101		

2 CONNECT IR & USB POWER

If your receiver has an IR Input jack on the back, supply your own 1/8" male-male cable to connect Amp Genie's IR Output, connect USB power, and skip to Step 4.

Plug in the included IR Emitter. Then connect Amp Genie to USB power, front LEDs will turn on.

3 ATTACH IR EMITTER TO RECEIVER

IR placement is critical to Amp Genie's performance, so test carefully before adhering.

Locate the IR window on the front panel of your receiver. By repeatedly short-pressing the TEST button, identify the spot where the receiver responds to Amp Genie's commands.

Once you find the best location, remove the adhesive backing and stick it on the face of the receiver's IR window. Test again with the emitter in place to confirm operation.

4 CONNECT SOURCE AUDIO TO A SELECTABLE RECEIVER INPUT

Ensure that your source is connected to 1 of the 2 inputs that Amp Genie supports by short-pressing the TEST button and confirming that you can hear your source. Amp Genie supports 2 inputs (1 analog & 1 digital by default) for each receiver brand. Switch #1 toggles which input (A / B) is selected by Amp Genie.

On most newer receivers, you may need to assign your source to a Selectable Input in your receiver's on-screen setup.

On Denon receivers, Amp Genie sends "Quick Select 2" and "Quick Select 3". Configure your Denon Quick Select scenes 2-3 for the proper input you want Amp Genie to select.

Once setup properly, Amp Genie will power on and select the proper input when you short-press TEST, and will power off when you long-press TEST. Continue to page 4.

AMP GENIE SUPPORTED RECEIVER INPUTS - ASSIGNABLE ON-SCREEN

Receiver Brand	Analog Input	Digital Input
Anthem	Any	Any
Audio Control	BD	CD
Denon	Media Player (Quick Select 2)	Cbl / Sat (Quick Select 3)
Marantz	Blu-Ray / DVD	Cbl / Sat
Onkyo	Audio3 Strm Box	BD / DVD
Pioneer	Audio1 CD	Coaxial / CD
Sony	BD / DVD	Coaxial / CD
Yamaha	Audio3	Audio2