

VENOM X22R 250CC PARTS CATALOG

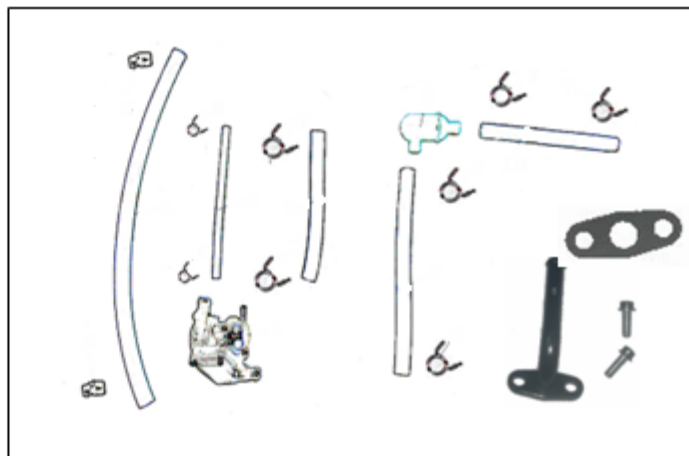


INTRODUCTION

When placing orders for parts, use this booklet as a reference. Refer to the illustrations for the name, item code, or fitment details by examining the size and appearance. Locate the corresponding number in the illustration to identify the name, item code, and quantity. Please note that changes to the information in this booklet may occur without prior notice.



发动机组件 Engine ASSY



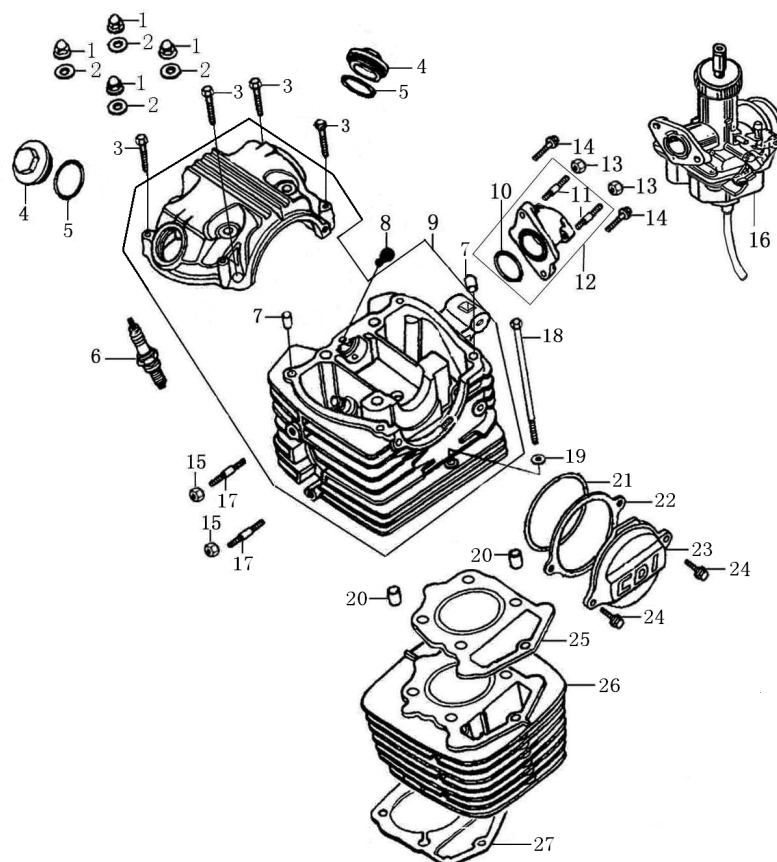
2

1

3

序 NO	件号 Item Code	中文名称 Chinese	英文名称 Description	数量 Q'ty	¥
1	01030008	化油器	Carburetor Assy	1	
2	01010022	发动机	Engine	1	
3	01990002	缸头二次补气装置	Secondary Air Injection Assy	1	

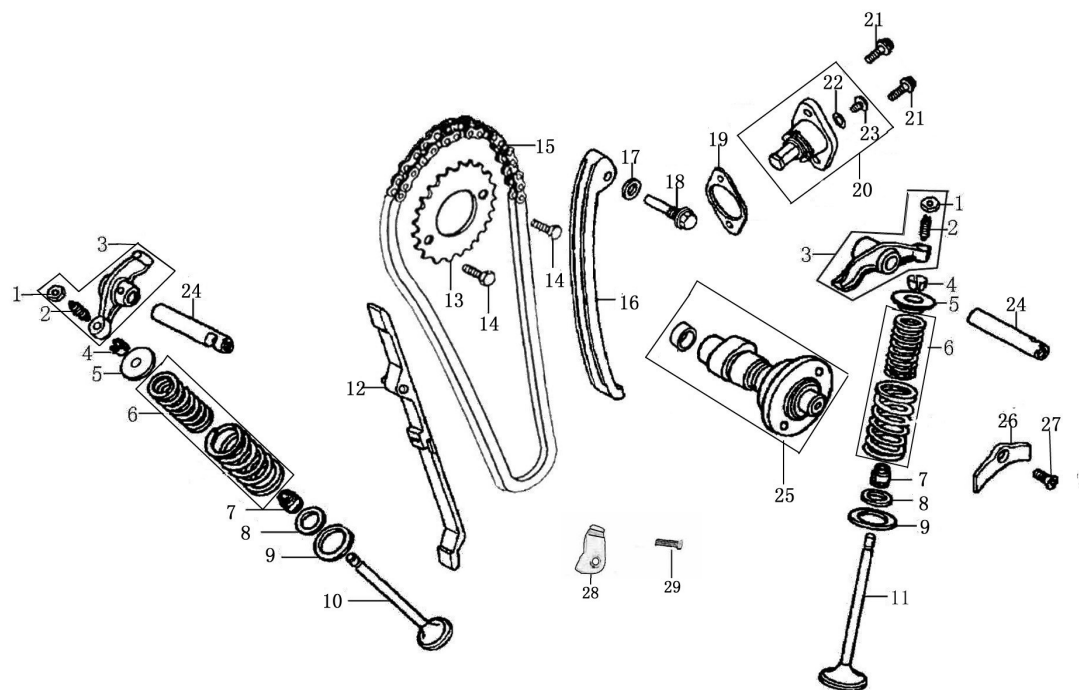
气缸头部件/气缸体部件 Cylinder Head ASSY/Cylinder ASSY



序 NO	件号 Item Code	中文名称 Chinese	英文名称 Description	数量 Q'ty	¥
1	91201-I006-00000X	CB125脚缸头盖盖形螺母M8(白铬)	Cap Nut M8	4	
2	93301-80852018000	CB125盖形螺母铜垫圈8.5×2×18	Cap Nut Copper Washer 8.5×2×18	4	
3	B166740A06003570X	GB16674小盘螺栓M6×35(兰白锌)	Bolt M6×35	4	
4	11230-I006-00000G	CB125脚气门室盖(6806)	Cover Valve Chamber	2	
5	90101-20350000300	CB125气门盖O形圈35×3(氟硅胶)	Valve Cover O-ring 35×3	2	
6	81300-I006-0000	CB125脚火花塞部件(CB125脚)	Spark Plug	1	
7	91521-08001400000	70定位销8×14×6.3	Pin 8×14×6.3	2	
8	11015-I006-0000	CB125脚橡胶油塞	Casing Cap	1	
9	1122B-ME05-000086	CB250D-G气缸头组合(环保II代 6806)M8/58	Cylinder Head Assy	1	
10	90101-20335000300	CB125进气管O形圈33.5×3(氟硅胶)	Inlet Pipe O-ring 33.5×3	1	
11	91127-I006-0000	CB125脚进气管双头螺栓(普通 L:27mm)	Inlet Pipe Stud Bolt	2	
12	15800-L044-0041	CB200进气管组合(JQ-9XHB)	Inlet Pipe Assy	1	
13	B061700006000090X	GB6170螺母M6(兰白锌)	Nut M6	2	
14	B057830006002070X	GB5783螺栓M6×20(兰白锌)	Bolt M6×20	2	
15	B061700008000090X	GB6170螺母M8(兰白锌)	Nut M8	2	
17	91138-I008-01000X	CG125D缸头排气口双头螺栓M8×38(兰白锌)	Stud Bolt M8×38	2	
18	B166740A06012570X	GB16674小盘螺栓M6×125(兰白锌)	Bolt M6×125	1	
19	93301-3062201300B	70缸头盖铁垫圈6.2×2×13(白锌)	Washer 6.2×2×13	1	
20	91521-10002000000	CG125脚定位销10×20	Pin 10×20	2	
21	90101-20750000265	CB125气缸头左盖O形圈75×2.65(氟硅胶)	Cylinder Head O-ring 75×2.65	1	
22	90202-I006-0000	CB125脚气缸头左盖密封垫	Cylinder Head Gasket	1	
23	11227-I006-100186	CB125脚气缸头左盖(老款)CDI 6806	Left Cover of Cylinder Head	1	

24	B166740A06002070X	GB16674小盘螺栓M6×20(兰白锌)	Bolt M6×20	2	
25	9022B-ME05-0000	CB250D-G气缸头密封垫组合(金属)	Cylinder Head Gasket Assy	1	
26	1110B-ME05-000086	CB250D-G气缸体部件(缸标250 6806)	Cylinder Block Assy	1	
27	90205-J025-0000	CB150D气缸体密封垫	Cylinder Block Gasket Assy	1	

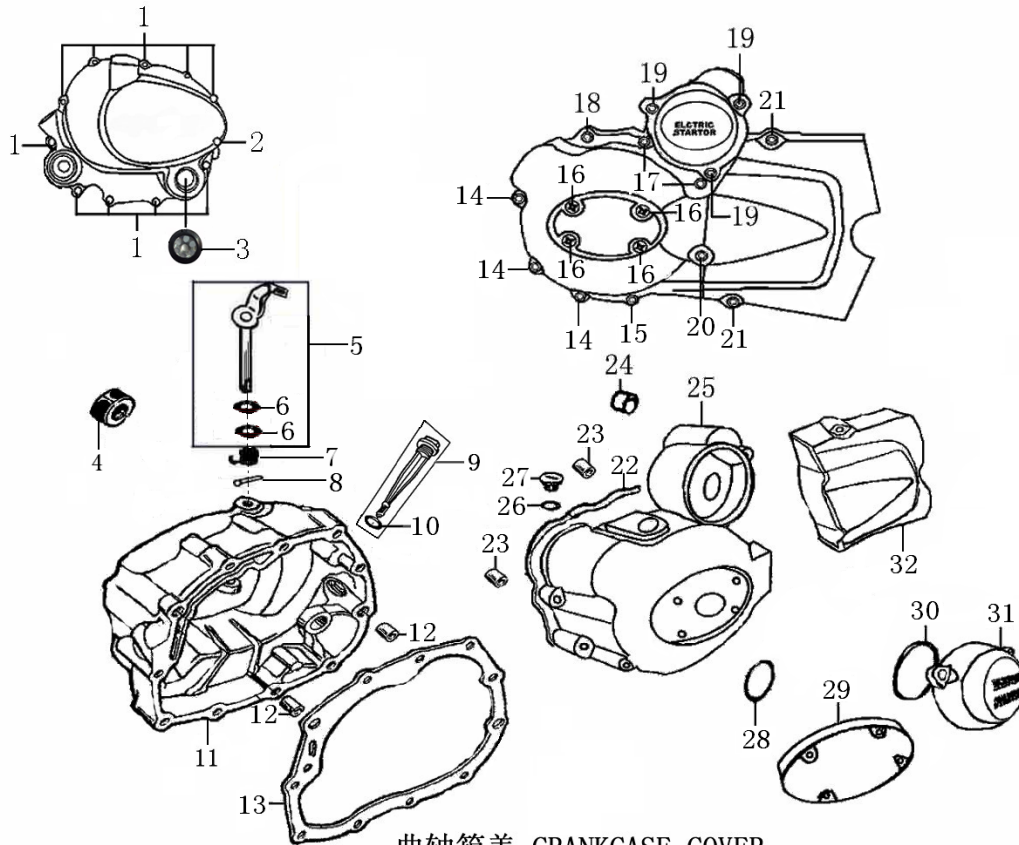
配气机构Camshaft & Valves



序 NO	件号 Item Code	中文名称 Chinese	英文名称 Description	数量 Q'ty	¥
1	15403-I006-0000	CB125脚气门间隙调节螺母	Nut, valve Clearance	2	
2	15404-I006-0000	CB125脚气门间隙调节螺钉	Screw, Valve Clearance	2	
3	1540A-I006-0000	CB125脚气门摇臂组合	Rocker Arm ASSY, valve	2	
4	15707-I006-0000	CB125脚气门锁夹	Valve Locker	4	
5	15705-I006-0000	CB125脚气门弹簧座(上)	Spring Seat(upper)	2	
6	15710-I006-0000	CB125脚气门内外弹簧组合	Inner Out Spring Assy	2	
7	1572B-I008-0000	CG125D挡油罩组合	Seal, Valve Stem	2	
8	15708-I008-0000	CG125D气门内弹簧座圈(下)	Spring Seat(lower)	2	
9	15706-I008-0000	CG125D气门外弹簧座圈(下)	Spring Seat(lower)	2	
10	15702-LA74-0000	CB200-C排气门(堆焊合金)	Exhaust Valve	1	
11	15701-LA74-0000	CB200-C进气门	Intake Valve	1	
12	1553A-ME05-0000	CB250D-G链条导向板组合	Chain Guide Plate	1	
13	15301-L044-0000	CB200正时从动链轮(34)	Timing Driven Sprocket	1	
14	B057830006001270B	GB5783螺栓M6×12(白锌)	Bolt M6×12(white zinc)	2	
15	1532B-ME05-0000	CB250D-G正时链条组合(7×104 齿形链)	Sprocket Chain	1	
16	1552A-ME05-0000	CB250D-G链条张紧板组合	Tension Plate ASSY	1	
17	93301-70851514000	70导向销轴铝垫圈8.5×1.5×14	Washer 8.5×1.5×14	1	
18	91109-I006-00000X	CB125脚张紧条芯轴螺栓(白铬)	Tensioner Axle Bolt	1	
19	90211-I049-0000	CB125D张紧器密封垫	Tensioner Gasket	1	
20	1554B-I049-000086	CB125D张紧器组合(6806)	Tensioner Assy	1	
21	B000700106001670X	GB70.1螺钉M6×16(兰白锌)	Bolt M6×16	2	
22	90101-20090000180	CB125张紧器O形圈9×1.8(氟硅胶)	Tensioner O-ring 9×1.8	1	
23	91120-I006-0000	CB125脚张紧调节螺栓M6×10	Tensioner Bolt M6×10	1	
24	15402-I006-0100	CB125脚-2#气门摇臂轴(PDK专用)	Rocker Shaft	2	

25	15100-ME05-0003	CB250D-G凸轮轴部件(TPI轴承)	CB250D-G Cam Shaft Assy	1	
26	11201-I006-0000	CB125脚气门摇臂轴定位板	Rocker Arm Positioning Plate	1	
27	B008190106001620B	GB819. 1螺钉M6×16(白锌)	Screw M6×16	1	
28	2143B-L044-0000	CB200链条护板组合	Chain Protect Plate Assy	1	
29	B166740006001670B	GB16674大盘螺栓M6×16(白锌)	Bolt M6×16	1	

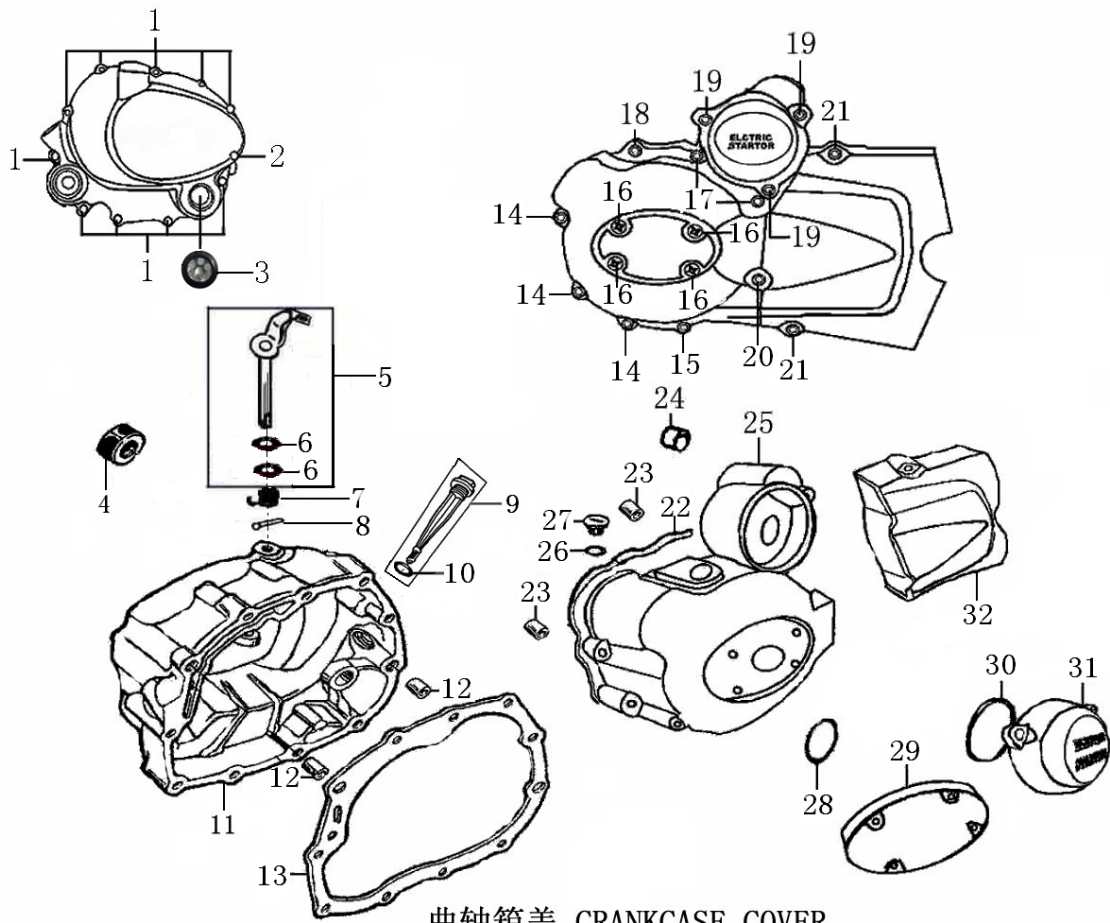
曲轴箱盖 Crankcase Cover 1



序 NO	件号 Item Code	中文名称 Chinese	英文名称 Description	数量 Q'ty	¥
1	B166740A06004070X	GB16674小盘螺栓M6×40(兰白锌)	Bolt M6×40	10	
2	B166740A06005070X	GB16674小盘螺栓M6×50(兰白锌)	Bolt M6×50	1	
3	12426-I008-0000	CG125D机油观察窗	Oil Lelve Sight Window	1	
4	90304-I006-0000	CB125脚启动轴油封16×28×7(丁腈胶)	Oil Seal16×28×7	1	
5	2242A-IA18-01000F	PZ125离合器操纵臂组合	Controlling Arm ASSY,Clutch	1	
6	90101-30087000190	CB125脚操纵臂O形圈8.7×1.9(氟橡胶)	O-ring 8.7×1.9	2	
7	22427-I006-0000	CB125脚离合器操纵臂弹簧	Clutch Controlling Arm Spring	1	
8	B0087901030120000	GB879.1销 3×12	Pin 3×12	1	
9	14301-I006-01000G	CB125脚机油尺组合(白板 镀铬)分体式	Oil Gauge ASSY	1	
10	90101-10180000300	CG125机油尺O形圈18×3(丁腈胶)	Oil Gauge O-ring 18×3	1	
11	12421-I008-660063	CG125D右曲轴箱盖[白板(超风款)6805]电感式	Cover COMP. Right Crankcase	1	
12	91521-08001400000	70定位销8×14×6.3	Pin 8×14×6.3	2	
13	90206-I008-0000	CG125D右曲轴箱盖密封垫	Gasket, R.Crankcase Cover	1	
14	B166740A06002570X	GB16674小盘螺栓M6×25(兰白锌)	Bolt M6×25(blue white zinc)	3	
15	B166740A06003570X	GB16674小盘螺栓M6×35(兰白锌)	Bolt M6×35(blue white zinc)	1	
16	B008180006001220X	GB818螺钉M6×12(兰白锌)	Bolt M6×12(blue white zinc)	4	
17	B166740A06005570X	GB16674小盘螺栓M6×55(兰白锌)	Bolt M6×55(blue white zinc)	2	
18	B166740A06003570X	GB16674小盘螺栓M6×35(兰白锌)	Bolt M6×35(blue white zinc)	1	
19	B166740A06002070X	GB16674小盘螺栓M6×20(兰白锌)	Bolt M6×20(blue white zinc)	3	
20	B166740A06006070X	GB16674小盘螺栓M6×60(兰白锌)	Bolt M6×60(blue white zinc)	1	
21	B166740A06002870X	GB16674小盘螺栓M6×28(兰白锌)	Bolt M6×28(blue white zinc)	2	

22	90204-I049-0000	CB125D左曲轴箱前盖密封垫	Gasket, L.crankcase Cover	1	
23	91521-08001400000	70定位销8×14×6.3	Pin 8×14×6.3	2	
24	92102-I008-0001	CG125D含油轴承(铁基)	Oil Bearing	1	

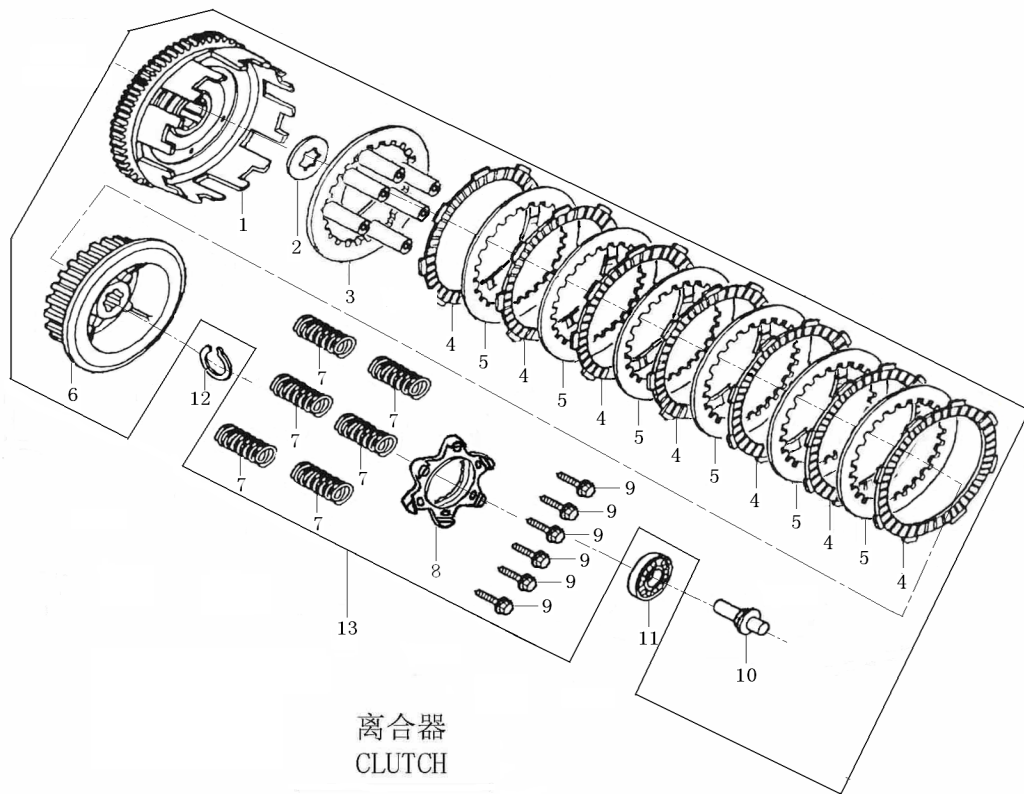
曲轴箱盖 Crankcase Cover 2



曲轴箱盖 CRANKCASE COVER

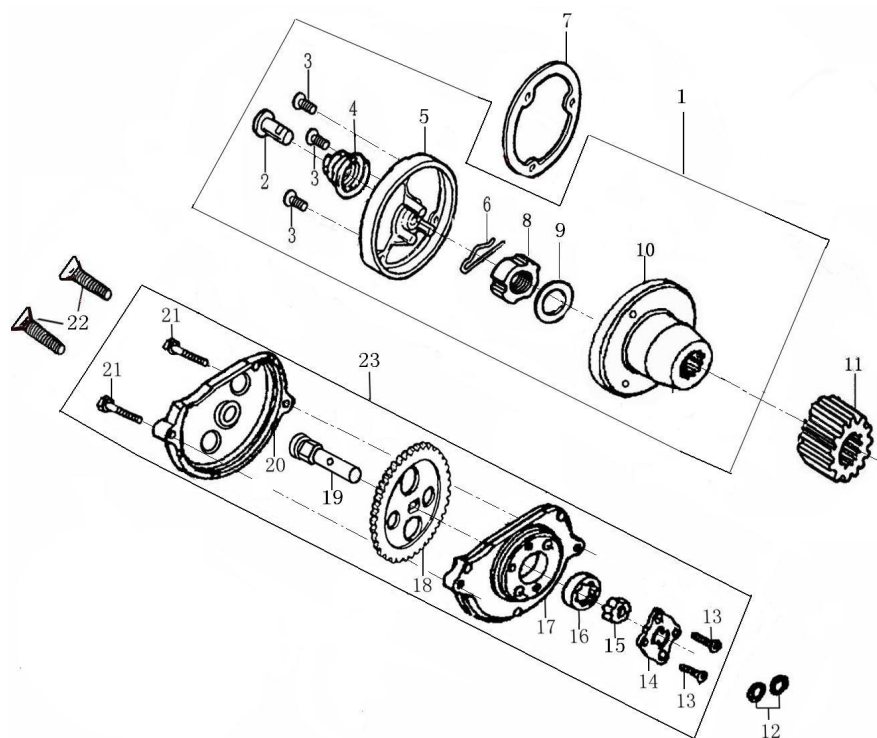
序 NO	件号 Item Code	中文名称 Chinese	英文名称 Description	数量 Q'ty	¥
25	12301-I049-000063	CB125D左曲轴箱前盖[白板(普通款) 6805]	Front part, L.Crankcase Cover	1	
26	90101-10132000265	C100小视孔盖O形圈13.2×2.65(丁腈胶)	Manhead O-ring 13.2×2.65	1	
27	12303-G011-00000G	C100小视孔盖(白铬)	Cap, Small View Hole	1	
28	90101-10274000265	C100大视孔盖O形圈27.4×2.65(丁腈胶)	O-ring 27.4×2.65	1	
29	12307-I008-10010G	CG125D左前盖装饰盖(ZONGSHEN 鲸鱼款白铬)	Decoratecover L.Crankcase Cover	1	
30	90101-10630000265	CB125D双联盖O形圈63×2.65(丁腈胶)	O-ring 63×2.65	1	
31	12308-I049-01000G	CB125D双联齿轮盖[白板(老款) 白铬]	Cover Reduction Gear	1	
32	12302-I049-430063	CB125D左曲轴箱后盖[(CB125D-PT-13#) 6805]	Rear Part,L.Crankcase Cover	1	

离合器总成 Clutch ASSY



序 NO	件号 Item Code	中文名称 Chinese	英文名称 Description	数量 Q' ty	
1	22150-LA73-0100	CG200-A水冷-3#离合器外罩组合	Out Case Cover, Clutch	1	¥
2	22002-I006-0000	CB125脚离合器花键垫圈	Washer For Spline	1	¥
3	22122-LA73-0000	CG200-A水冷离合器压盘	Pressure Board, Clutch	1	¥
4	22214-LA73-0000	CG200-A水冷离合器主动摩擦片	Drive Friction Dics	7	¥
5	22215-J034-0000	CG150D离合器从动摩擦片(六柱)	Outer Friction Dic A	6	¥
6	22105-LA73-0100	CG200-A水冷-3#离合器中心套	Central Sleeve, Clutch	1	¥
7	22142-LA73-0000	CG200-A水冷离合器弹簧	Clutch Spring	6	¥
8	22121-LA12-0000	CG200D-B离合器端盖	Cluct End Cover	1	¥
9	91129-J034-00000B	CG150D离合器法兰盘螺栓M5×20(白锌)	Bolt M5×20	6	¥
10	22403-I006-0000	CB125脚离合器推杆	Pushing Rod, Clucth	1	¥
11	92102-00000016003	轴承(16003)	Bearing (16003)	1	¥
12	91403-I008-0000	CG125D离合器挡圈20	Elastci Check Ring	1	¥
13	22000-LA73-0903	CG200-A水冷-3#离合器总成	Clutch Assy(Without Bearing)	1	¥

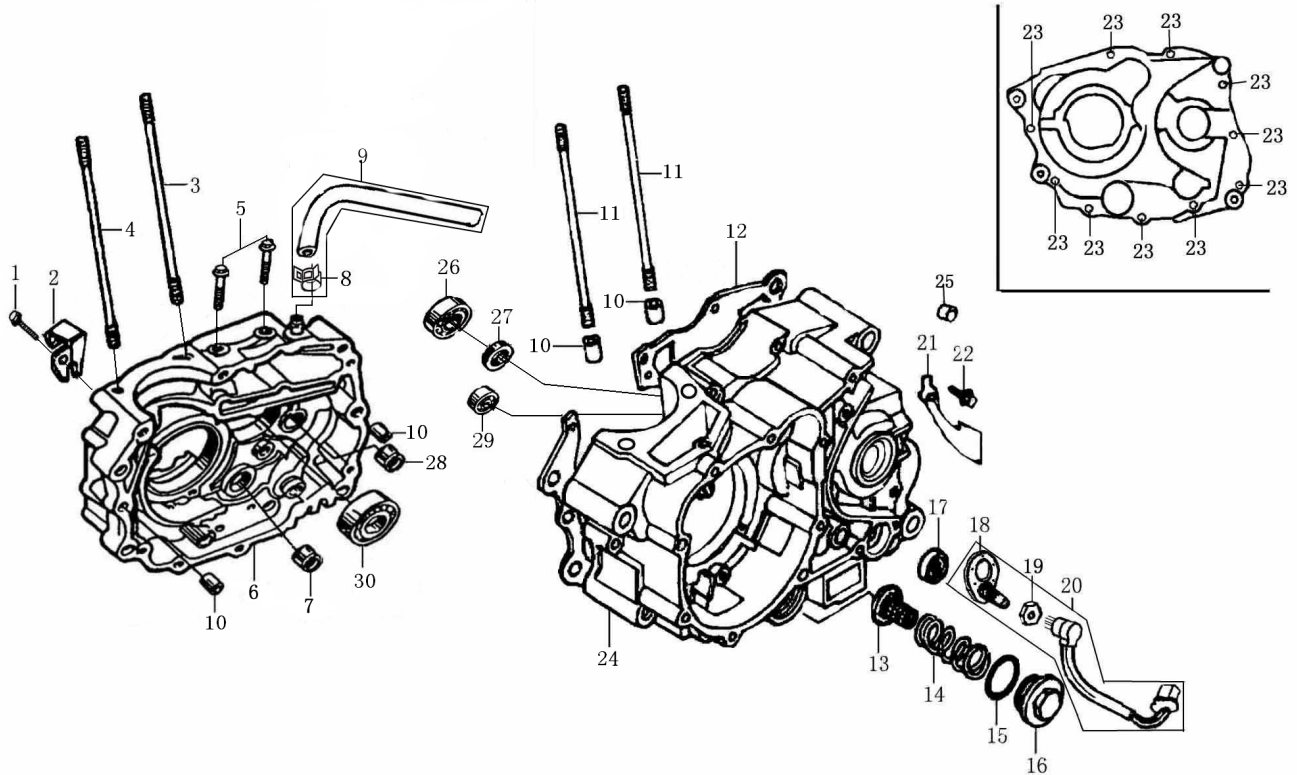
机油泵部件/机油滤清器部件 Oil Pump/ Oil Filter



序 NO	件号 Item Code	中文名称 Chinese	英文名称 Description	数量 Q'ty	¥
1	14200-IA20-0100	SB125-2#机油滤清器部件	Oil Filter	1	
2	14201-I006-0000	CB125脚机油滤清器出油管	Oil Pipe	1	
3	B008190105001220B	GB819.1螺钉M5×12(白锌)	Screw M5×12	3	
4	14202-I006-0000	CB125脚机油滤清器出油管弹簧	Spring of Oil Pipe	1	
5	14207-IA20-00000W	SB125机油滤清器盖(抛丸钝化)	Oli Filter Cover	1	
6	14208-I006-0000	CB125脚机油滤清器开口销	Oli Filter Pin	1	
7	90209-IA20-0000	SB125滤清器端盖密封垫	Gasket ,Oil Filter	1	
8	91203-IA20-0000	SB125机油滤清器螺母	Oli Filter Nut	1	
9	22004-I006-0000	CB125脚离合器碟形垫圈16.5×2×27	Dish Washer,Clutch	1	
10	14203-IA20-0100	SB125-2#机油滤清器转子组件	Rotor Assy.of Oil Filter	1	
11	23101-I006-0000	CB125脚主动齿	Primary Drive Gear	1	
12	90101-10094000240	CG125机油泵O形圈9.4×2.4(丁腈胶)	O-ring 9.4×2.4	2	
13	B008190104001020B	GB819.1螺钉M4×10(白锌)	Screw M4×10	2	
14	14108-L044-0200	CB200机油泵盖板(电感式 钢齿)	Oil Pump Cover	1	
15	14111-L044-0200	CB200机油泵内转子(电感式 钢齿)	Inner Rotor, Oil Pump	1	
16	14112-L044-0000	CB200机油泵外转子	Outer Rotor, Oil Pump	1	
17	14110-L044-0200	CB200机油泵体(电感式 钢齿)	Oil Pump Body	1	
18	14102-L044-0001	CB200机油泵齿轮(m=1.75 z=37 电感式 钢齿)	Gear,Oil Pump	1	
19	14107-L044-0200	CB200机油泵油泵轴(电感式 钢齿)	Shaft, Oil Pump	1	
20	14113-L044-0000	CB200机油泵齿轮盖(电感式 钢齿)	Gear Cover, Oil Pump	1	

21	B057820005002070B	GB5782螺栓M5×20(白锌)	Bolt M5×20	2	
22	B008190106003020B	GB819.1螺钉M6×30(白锌)	Screw M6×30	2	
23	14100-L044-0000	CB200机油泵部件(37齿 电感式)	Oil Pump Assy	1	

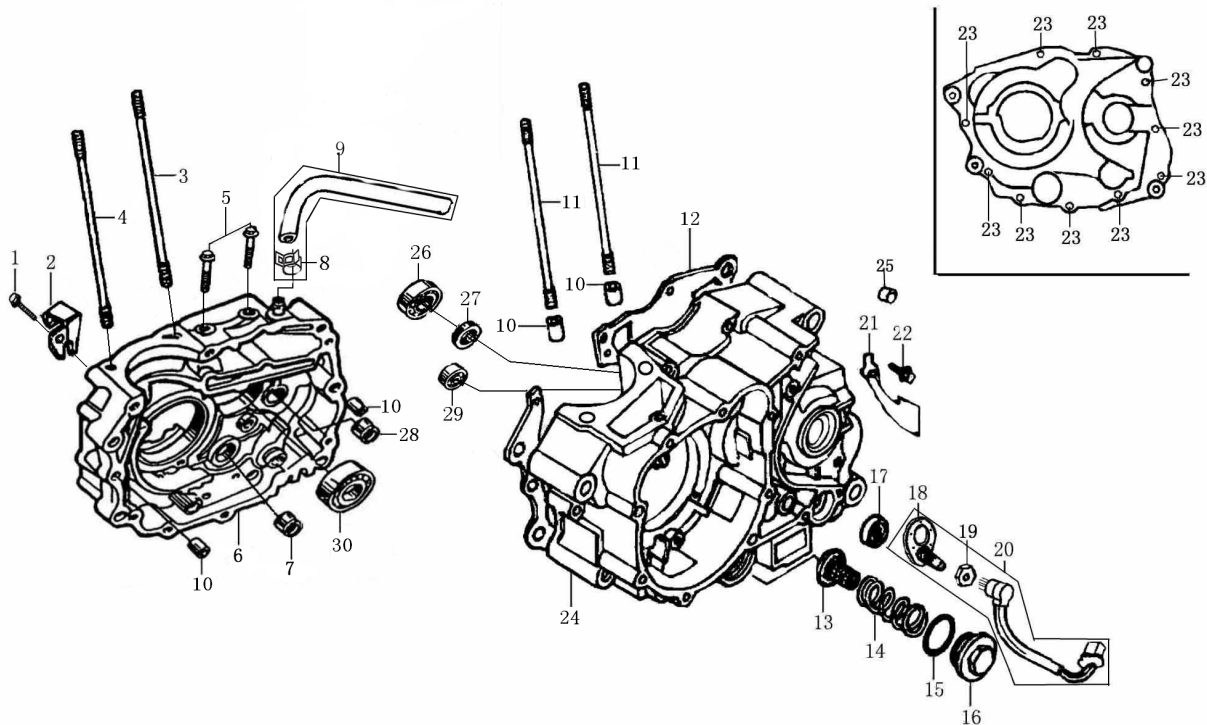
曲轴箱 Crankcase 1



序 NO	件号 Item Code	中文名称 Chinese	英文名称 Description	数量 Q'ty	¥
1	B166740A06005570X	GB16674小盘螺栓M6×55(兰白锌)	Bolt M6×55	1	
2	22422-IA18-01000G	PZ125-2#离合器钢索支架(白铬)	Clutch Cable Holder	1	
3	91102-L044-0000	CB200气缸双头螺栓B(229mm)	Cylinder Stud Bolt B	1	
4	91102-L044-0100	CB200-2#气缸双头螺栓B(229mm)	Cylinder Stud Bolt B	1	
5	B166740A06002870X	GB16674小盘螺栓M6×28(兰白锌)	Bolt M6×28	2	
6	1222B-ME05-010063	CB250D-G右曲轴箱组合(低噪音专用 6805)	Right Crankcase Assy	1	
7	92102-000HK212810	滚针轴承(HK21×28×10)	Bearing (HK212810)	1	
8	18097-I008-0000	CG125D废气循环管 I 卡箍	Clamp	3	
9	12130-MA95-0200	CG250-3#通气管组件(复合层材料 卡箍2个)	Pipe ASSY	1	
10	91521-10001400000	CG125脚定位销10×14	Pin 10×14	4	
11	91101-KA35-0000	IB175-FC气缸双头螺栓A(240mm)	Cylinder Stud Bolt A(240mm)	2	
12	90208-ME05-0000	CB250D-G曲轴箱密封垫	Crankcase Gasket	1	
13	1431B-I006-0000	CB125脚机油过滤网组合	Oil Filter Strainer	1	
14	14221-I006-0000	CB125脚机油过滤网弹簧	Spring of Oil Filter Strainer	1	
15	90101-20350000300	CB125气门盖O形圈35×3(氟硅胶)	O-ring 35×3	1	
16	11230-I006-00000W	CB125脚气门室盖(抛丸钝化)	Cover, Valve Chamber	1	
17	90301-I006-0000	CB125脚换挡臂油封14×28×7(丁腈胶)	Oil Seal 14×28×7	1	
18	88001-I049-0500	CB125D档显板(五档国际档)	Gearshift Switch plate	1	
19	91204-I049-0000	CB125D档显板螺母M10	Nut M10	1	
20	8803B-I049-050055	CB125D档显线束组合(五档国际 L:550)接口D01	Gearshift Switch Lamp	1	

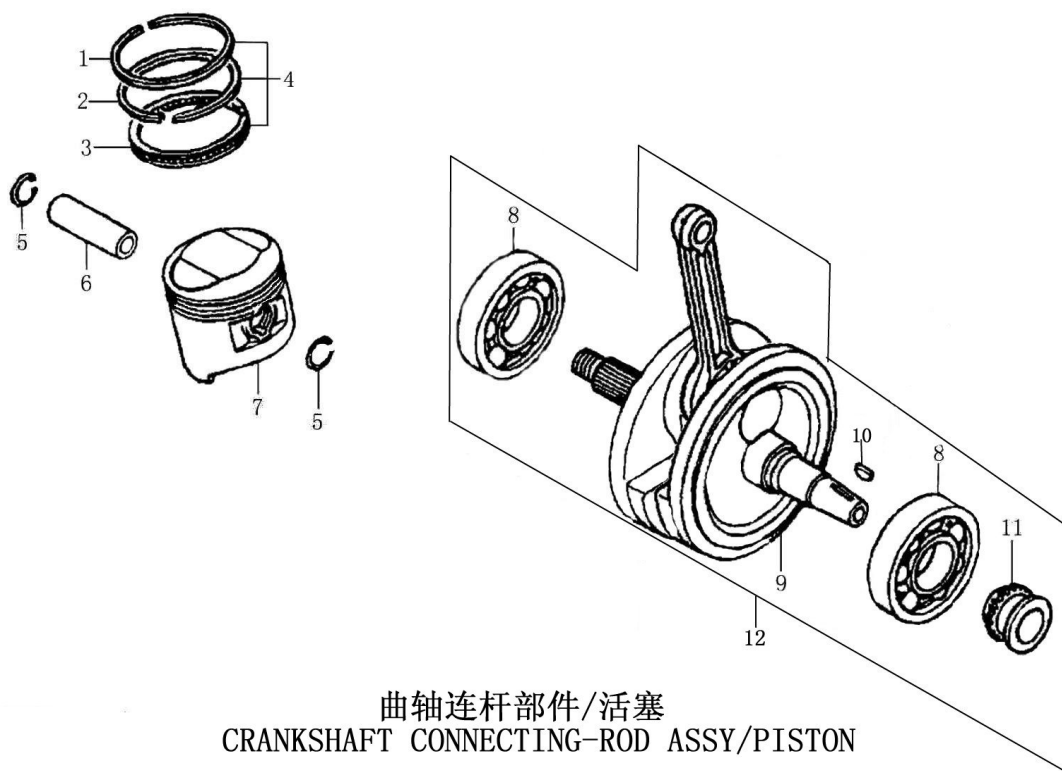
21	12103-I008-0000	CG125D挡线片	Positioning Plate	1	
22	B166740A06001270B	GB16674小盘螺栓M6×12(白锌)	Bolt M6×12	1	
23	B166740A06005070X	GB16674小盘螺栓M6×50(兰白锌)	Bolt M6×50	10	
24	1212B-IA27-000063	CB133左曲轴箱组合(6805)	Left Crankcase Assy	1	

曲轴箱 Crankcase 2



序	件号	中文名称	英文名称	数量	
NO	Item Code	Chinese	Description	Q'ty	¥
25	92102-I008-0001	CG125D含油轴承(铁基)	Bearing	1	
26	92102-00000006204	轴承(6204)	Bearing (6204)	1	
27	90303-I006-0000	CB125脚副轴油封20×34×7(丁腈胶)	Oil Seal 20×34×7	1	
28	92102-000NK152312	滚针轴承(NK15×23×12)	Bearing (NK15×23×12)	1	
29	92102-0000TM6202Z	轴承(TM6202Z)	BearingG (TM6202Z)	1	
30	92102-00000006006	轴承(6006)	Bearing (6006)	1	

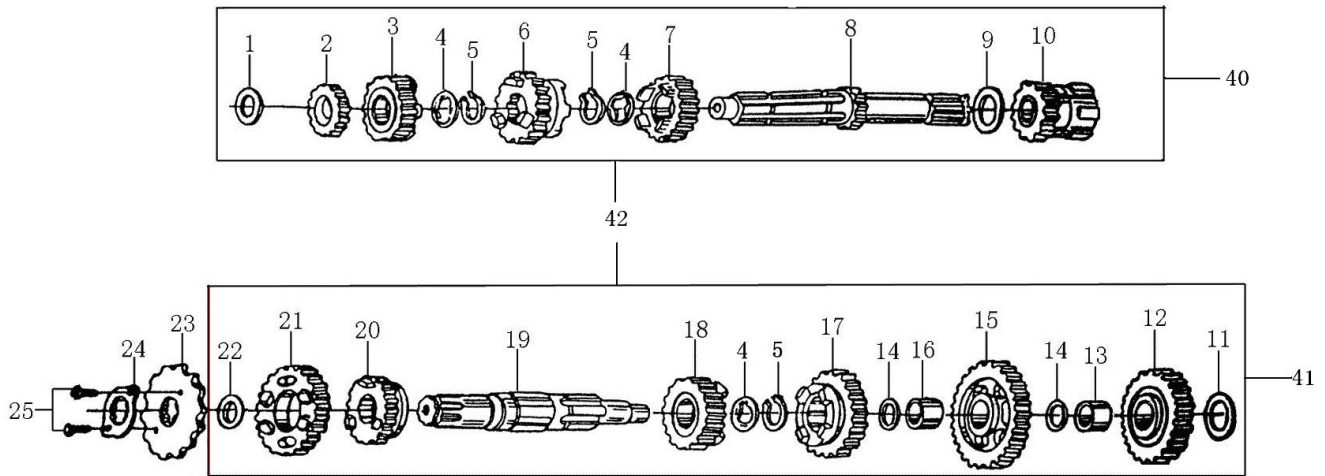
曲轴连杆部件/活塞 Crankcase Connecting Rod ASSY/Piston



曲轴连杆部件/活塞
CRANKSHAFT CONNECTING-ROD ASSY/PISTON

序 NO	件号 Item Code	中文名称 Chinese	英文名称 Description	数量 Q'ty	¥
1	13103-ME05-0000	CB250D-G活塞环一	Piston Ring 1	1	
2	13104-ME05-0000	CB250D-G活塞环二	Piston Ring 1	1	
3	13120-ME05-0000	CB250D-G油环组合	Oil Ring ASSY	1	
4	1310A-ME05-0100	CB250D-G活塞环总成	Pistonring ASSY	1	
5	91401-I006-0000	CB125脚活塞销挡圈	Check Piston Pin	2	
6	13102-LA66-0000	CG200-A活塞销	Pin Piston	1	
7	13101-LE26-0000	CBB200活塞	Piston	1	
8	92102-00TMS06B42	左曲柄轴承(TM-SC06B42)	Bearing (TM-SC06B42)	2	
9	13220-ME05-0000	CB250D-G曲轴连杆组合	Connection Rod Comp 3	1	
10	91601-I008-0000	CG125D半圆键25×14×4	Woodruff Key	1	
11	13222-ME05-0000	CB250D-G正时主动链轮	Drive Sprocket	1	
12	1320B-ME05-0000	CB250D-G曲轴连杆部件	Crankshaft Connection Rod Assy	1	

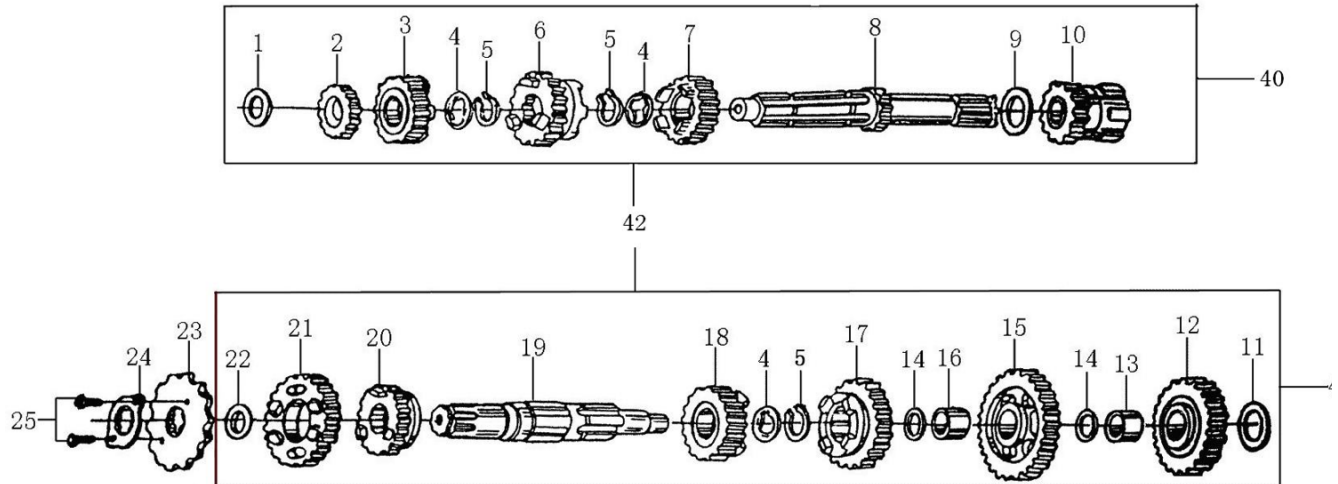
传动机构 Transmission Mechanism 1



序 NO	件号 Item Code	中文名称 Chinese	英文名称 Description	数量 Q'ty	¥
1	93301-61521025000	CB125主轴止推垫圈 15.2×1×25	Washer 15.2×1×25	1	
2	23222-LA73-0002	CG200-A水冷主轴2档齿轮	Gear M-2	1	
3	23222-LA73-0005	CG200-A水冷主轴5档齿轮	Gear M-5	1	
4	23223-I006-0000	CB125脚齿轮隔圈17.3(20)×1.6×26	Washer 17.3(20)×1.6×26	3	
5	91402-D002-0100	70启动轴挡圈φ18.5×1.2×φ22.1	Start Axle Check Ring φ18.5×1.2×φ22.1	3	
6	23222-LA73-0004	CG200-A水冷主轴4档齿轮	Gear M-4	1	
7	23222-LA73-0003	CG200-A水冷主轴3档齿轮	Gear M-3	1	
8	23221-LA73-0000	CG200-A水冷主轴芯轴	Transmission Main Shaft	1	
9	93301-62020527000	CB125主轴止推垫圈 20.2×0.5×27	Washer 20.2×0.5×27	1	
10	23231-I008-0000	CG125D主轴起动齿轮组合	Final Shaft	1	
11	93301-61521030000	CB125副轴止推垫圈 15.2×1×30	Washer 15.2×1×30	1	
12	23248-I008-0000	CG125D副轴启动过桥齿轮	Gear	1	
13	23203-I008-0003	CG125D副轴启动齿轮衬套	Gear Bush	1	
14	93301-51650524000	CG125D副轴止推垫圈 16.5×0.5×24	Washer 16.5×0.5×24	2	
15	23242-LA73-0001	CG200-A水冷副轴1档齿轮	Gear C-1	1	
16	23203-I006-0001	CB125脚副轴1档齿轮衬套	Gear Bush	1	
17	23242-LA73-0003	CG200-A水冷副轴3档齿轮	Gear C-3	1	
18	23242-LA73-0004	CG200-A水冷副轴4档齿轮	Gear C-4	1	
19	23241-I008-0000	CG125D-1#五档副轴芯轴	Transmission Counter Shaft	1	
20	23242-LA73-0005	CG200-A水冷副轴5档齿轮	Gear C-5	1	
21	23242-LA73-0002	CG200-A水冷副轴2档齿轮	Gear C-2	1	

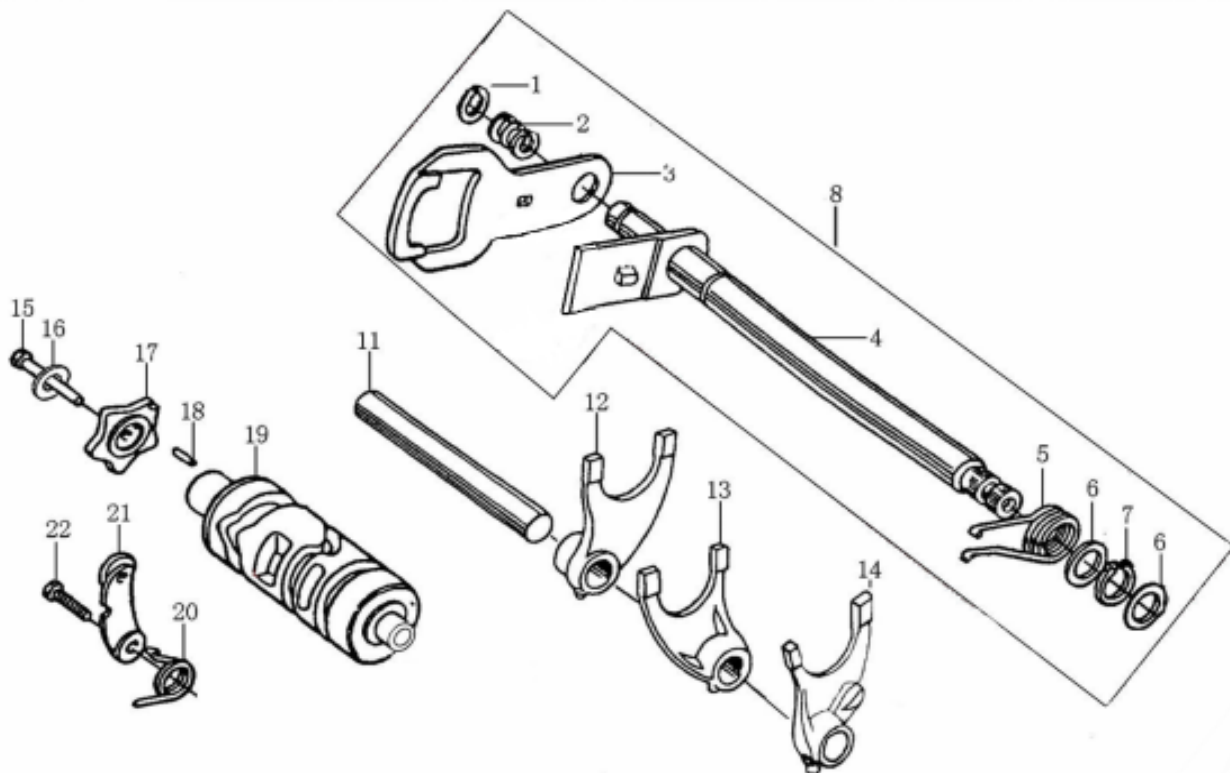
22	93301-52001027000	CG125D副轴止推垫圈 20×1×27	Washer 20×1×27	1	
23	23401-MA95-0001	CG250主动链轮(520.13)	Drive Sprocket(520.13)	1	
24	23402-I006-0000	CB125脚主动链轮固定板	Fixing Plate, Drive Sprocket	1	

传动机构 Transmission Mechanism 2



序 NO	件号 Item Code	中文名称 Chinese	英文名称 Description	数量 Q'ty	¥
25	B057830006001070B	GB5783螺栓M6×10(白锌)	Bolt M6×10	2	
26					
27					
28					
29					
30					
31					
32					
33					
34					
35					
36					
37					
38					
39					
40	23220-LA73-0000	CG200-A水冷主轴组合	Tansmmison Main Shaft	1	
41	23240-LA73-0000	CG200-A水冷-1#副轴组合	Transmmison Counter Shaft	1	
42	23200-LA73-0200	CG200-A水冷-2#主副轴组合	Tansmmison Shaft ASSY	1	

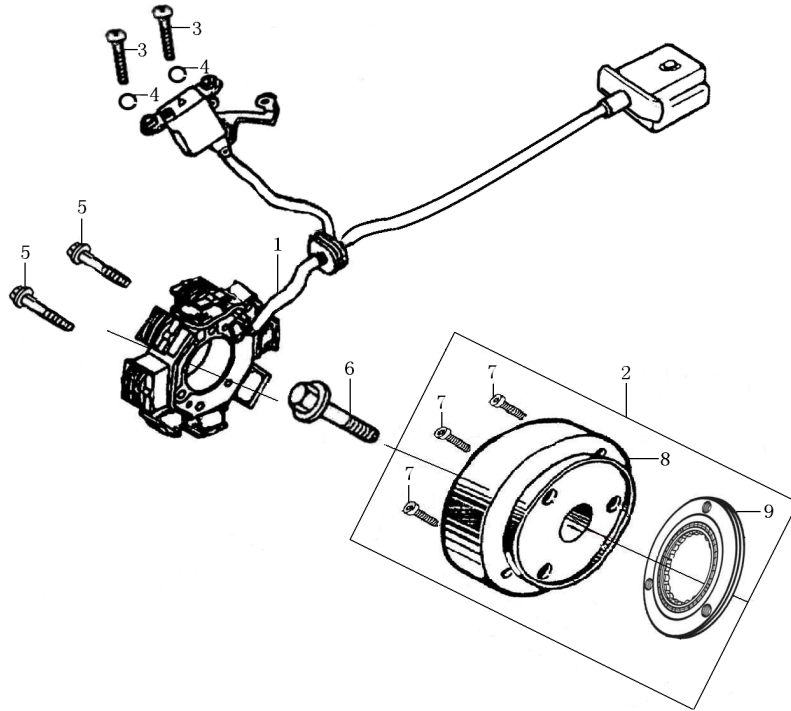
变速机构 Gearshift Mechanism



序 NO	件号 Item Code	中文名称 Chinese	英文名称 Description	数量 Q'ty	¥
1	B0089401120000000	GB894.1挡圈12	Circlip 12	1	
2	24303-I006-0000	CB125脚换档板弹簧	Gearshift Plate Spring	1	
3	24319-I006-0000	CB125脚换档板(五档国际档)	Gearshift Plate	1	
4	24301-I006-00000C	CB125脚换档轴组合(五档国际档 彩锌)	Gearshift Shaft ASSY	1	
5	24302-I008-0000	CG125D换档回位弹簧	Return Spring	1	
6	93301-51400520000	CB125脚换档臂垫圈14×0.5×20	Washer 14×0.5×20	2	
7	B0089401140000000	GB894.1挡圈14	CirClip 14	1	
8	24300-I006-00000C	CB125脚换档臂部件(CB125脚 五国 彩锌)	Gearshift Lever ASSY	1	
9					
10					
11	24107-I006-0000	CB125脚拨叉轴	Gearshift Spork Shaft	1	
12	24104-I006-0000	CB125脚副轴右拨叉	Right Fork, Countershaft	1	
13	24106-I006-0000	CB125脚主轴拨叉	Center Fork, Mainshaft	1	
14	24105-I006-0000	CB125脚副轴左拨叉	Left Fork, Countershaft	1	
15	91126-I008-00000B	CG125D五星板紧固螺栓(白锌)	Bolt	1	
16	B0009300060000000	GB93弹垫6	Washer φ6	1	
17	24202-I006-0500	CB125脚五星板(五档国际档)	Stopping Plate	1	
18	B0011901040100000	GB119.1销4×10	Pin 4×10	1	
19	24213-I006-0500	CB125脚变速鼓(五档国际档)档显	Gearshift Drum	1	
20	24304-I006-0000	CB125脚定位板弹簧	Spring, Locating Plate	1	

21	2434A-I008-0000	CG125D定位板组合(短压板四/五档国际档)	Locating Plate ASSY	1	
22	B057830006002070B	GB5783螺栓M6×20(白锌)	Bolt M6×20	1	

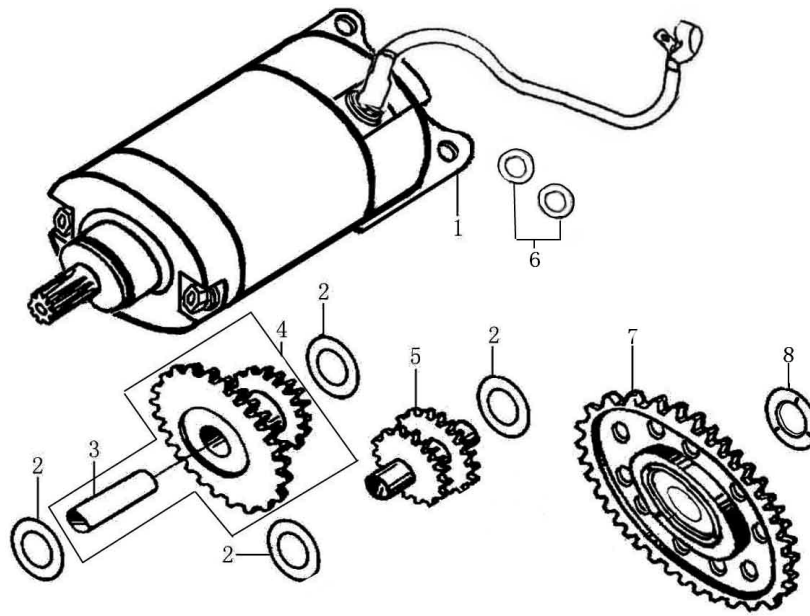
磁电机总成 Magneto ASSY



磁电机总成 MAGNETO COMP

序 NO	件号 Item Code	中文名称 Chinese	英文名称 Description	数量 Q'ty	¥
1	82120-IA27-000160	CB133磁电机定子组合((12V12极三相全波直流)L1:600)接口G1	Stator ASSY, Magneto	1	
2	82130-IA27-0200	CB133磁电机转子组合(12V12极带楔块分体式超离)	Rotor ASSY, Magneto	1	
3	B008230004001020B	GB823螺钉M4×10(白锌)	Screw M4×10	2	
4	B0009300040000000	GB93弹垫4	Washer φ4	2	
5	B166740A06002870B	GB16674小盘螺栓M6×28(白锌)	Bolt M6×28(white zinc)	2	
6	91106-I008-0000	CG125D磁电机安装螺栓M10×36	Magneto Mounting Bolt M10×36	1	
7	91197-I008-00000C	CG125D超越离合器紧固螺钉M8×18(彩锌)	Overrunning Bolt M8×18(color zinc)	3	
8	82130-I049-0301	CB125D-2#磁电机转子组合(12V8极不带超越离合器)	Rotor ASSY, Magneto	1	
9	21300-LA73-0000	CG200-A水冷超越离合器部件(模块式)	Overrunning Clutch Assy	1	

电启动机构 Electrical Starter



电启动机构
ELECTRIC STARTING MECHANISM

序 NO	件号 Item Code	中文名称 Chinese	英文名称 Description	数量 Q'ty	¥
1	82200-ME05-020280	CB250D-G-2#启动电机部件(6805 单线靴形800)	Starting Motor ASSY	1	
2	93301-51050518000	CG125D双联齿轮垫圈10.5×0.5×18	Washer 10.5×0.5×18	4	
3	21402-I049-0000	CB125D双联齿轮轴	Shaft, Reduction	1	
4	2140A-L044-0100	CB200-2#双联齿轮组合(一)	Gear, Reduction, 1	1	
5	21401-L044-0000	CB200双联齿轮(二)	Gear, Reduction, 2	1	
6	82202-ME05-0000	CB250D-G电机安装座圈	CB250D-G Electric Machine Mounting Base Washer	2	
7	2142A-IA27-0000	CB133启动大齿轮组合(整体式)	CB133 Plate Gear ASSY	1	
8	93301-E2203534000	CB125D-2#盘形齿垫圈22×3.5×34	CB125D-2#Disk Washer 22×3.5×34	1	

电器部件 Electrical components



序 NO	件号 Item Code	中文名称 Chinese	英文名称 Description	数量 Q' ty	¥
1	01020028	高压包（点火线圈）	Ignition Coil	1	
2	01020011	闪光器	Flasher	1	
3	10070001	喇叭	Horn	2	
4	01020025	整流器（电压调节器）	Voltage Regulator	1	
5	01020024	点火器（点火控制器）	Igniter	1	
6	01020027	启动继电器	Start Relay	1	
7	01020036	整流二极管	Commutation Diode	1	
8	02011448	整流桥支架	Voltage Regulator bracket	1	

车架及后平叉 Frame and Rear fork



序	件号	中文名称	英文名称	数量	
NO	Item Code	Chinese	Description	Q'ty	¥
1	02011455	仪表支架	Speedmeter Bracket	1	
2	06020036	尾灯工字形橡胶	Rubber Washer	4	
3	0201-250RTS	车架	Frame	1	
4	02011453	发动机前右固定板(平)	Engine fix board right	1	
5	02011452	发动机左固定板(弓形)	Engine fix board Left	1	
6	02011451	发动机上固定板	Engine fix board up	2	
7	07020036	双撑弹簧	Mainstand spring	1	
8	02011442	单撑	Side stand	1	
9	07010130	后减震	Rear shock	1	
10	02010460	(后减震)摇架B	Rocker Arm B For Rear shock	1	
11	02010459	(后减震)摇架A	Rocker Arm A For Rear shock	1	
12	02011456	调链器	Chain Tension Adjuster	2	
13	02011450	后平叉	Rear Fork	1	
14	06020034	平叉护套	Rubber Stand Of Chain	1	

锁、转向、



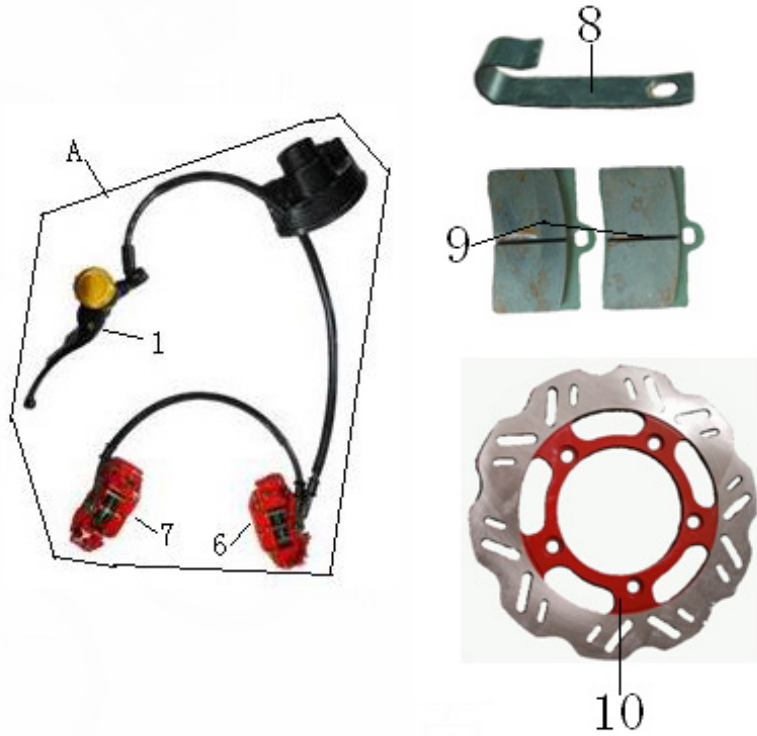
序 NO	件号 Item Code	中文名称 Chinese	英文名称 Description	数量 Q'ty	¥
1	10080023	套锁	Lock	1	
2	10020062	平衡块	Counterbalance Block	2	
3	10020060	油门把套	Accelerator Grip	1	
4	02030296	方向把固定座(总成)右	Handlebar Lock right	1	
5	02030298	上联板	Upper Handlebar connection plate	1	
6	10030012	离合器手柄组件	Clutchhandle Assembled	1	
7	02030295	方向把固定座(总成)左	Handlebar Lock Left	1	
8	10020061	左把套	Left Hand Grip	1	
9	12030038	钢碗	Bearing Kit	1	
10	02030297	下联板	Front shock connection plate	1	
11	07010132	前减震器右	Front shock Right	1	
12	07010131	前减震器左	Front shock Left	1	
13	10010030	组合开关(右)	Switch ASSY Right	1	
14	10010029	组合开关(左)	Switch ASSY Left	1	
15	15010021	前轮轴		1	
16	15010023	后轮轴		1	

轮胎、轮毂



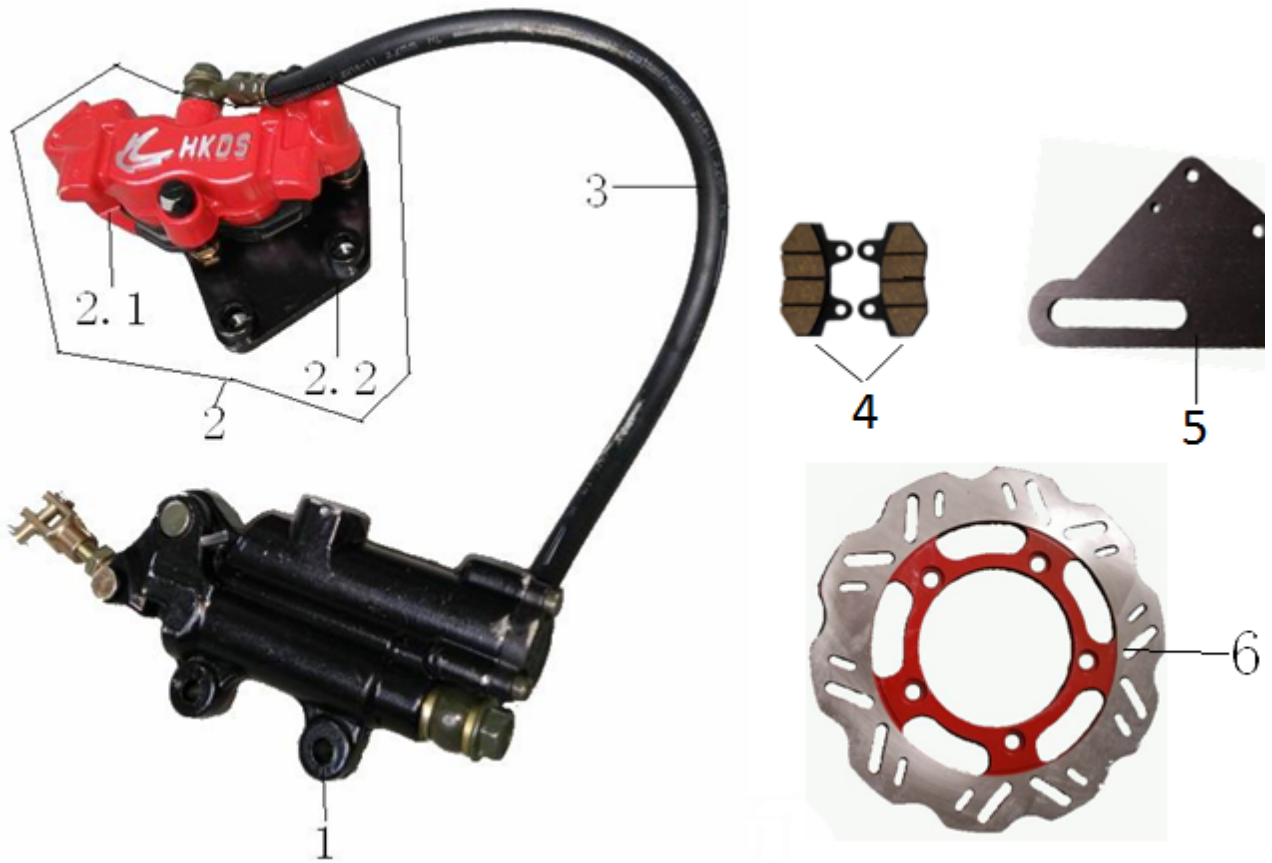
序 NO	件号 Item Code	中文名称 Chinese	英文名称 Description	数量 Q' ty	¥
1	06010020	前轮胎 (110/60-17)	Front tire 110/60-17	1	
2	06010021	后轮胎 (140/60-17)	Rear tire 140/60-17	1	
3	02040068	牙盘428-42	Sprocket Wheel 428-42	1	
4	02040206	前轮毂 (3.0*17)	Front rim 3.0*17	1	
5	02040205	后轮毂 (4.0*17)	Rear rim 4.0*17	1	
6	190015	气门嘴	Valve Stem	1	
7	10040065	车速传感器	Speed Sensor	1	

碟刹 Front Brake



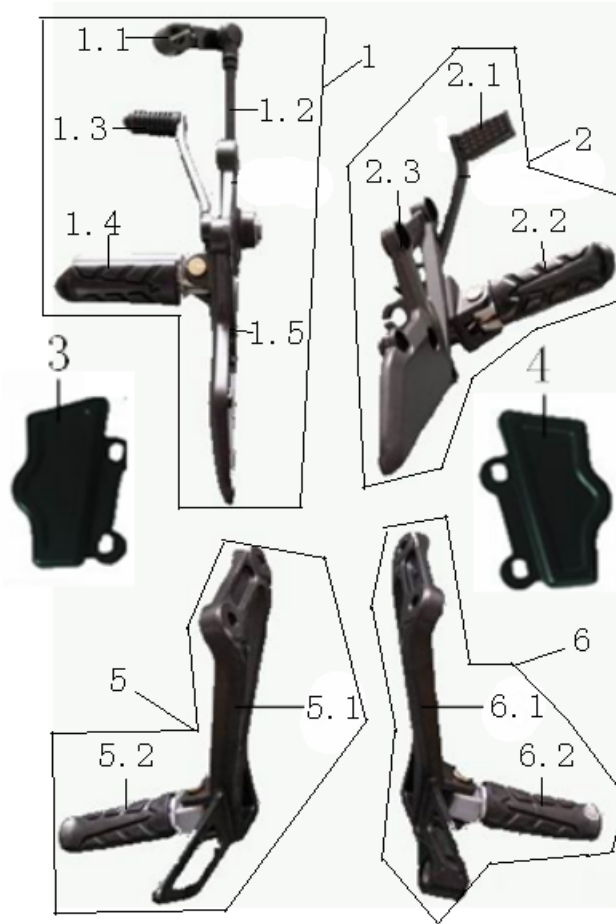
序 NO	件号 Item Code	中文名称 Chinese	英文名称 Description	数量 Q'ty	¥
A	04010076	前碟刹总成	Front Disc Brake ASSY	1	
1		前刹上泵总成	Front Brake oil Pump	1	
6	190511-3	前右制动钳	Front Caliper Right	1	
7	190511-2	前左制动钳	Front caliper Left	1	
8	12990032	直钩管夹	Hose Clip	1	
9	190511-6	前刹车片	Front Brake Pad	2	
10	04020040	(前) 碟刹盘300	Front Brake Disc	2	

碟刹 Rear brake



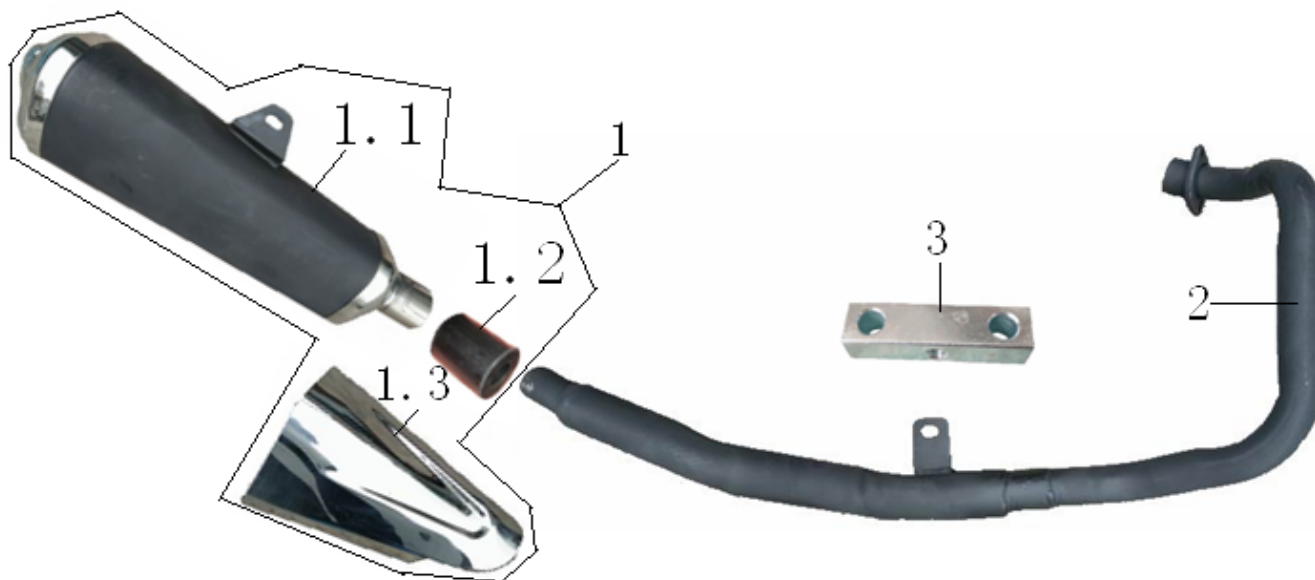
序 NO	件号 Item Code	中文名称 Chinese	英文名称 Description	数量 Q'ty	¥
A	04010075	后碟刹总成	Rear Brake ASSY	1	
1	190511-7	后制动泵	Rear Pump	1	
2	190511-4	制动钳总成	Rear Caliper	1	
2		制动钳	Caliper	1	
2		后制动钳支架	Caliper Bracket	1	
3		后碟刹管	Brake Hose	1	
4	190511-8	后刹车片	Brake Pads	1付	
5	04990008	后刹支架	Caliper connection board	1	
6	04020041	碟刹盘 (240)	Brake disc	1	

搁脚 Footrest



序 NO	件号 Item Code	中文名称 Chinese	英文名称 Description	数量 Q' ty	¥
1	02050042	搁脚组合前（左）	Front Footrest ASSY(L.)	1	
1	02050042-3	换挡花键座（带倒牙球头）		1	
1	02050042-2	换挡拉杆		1	
1	02050042-4	换挡踏板（带球头）		1	
1	02050042-5	前脚蹬左		1	
2	02050042-6	前搁脚本体左		1	
2	02050039	搁脚组合前（右）	Front Footrest ASSY(R.)	1	
2	02050039-2	刹车踏板		1	
2	02050039-3	前脚蹬右		1	
2	02050039-4	前搁脚本体右		1	
3	02010472	左护板支架	Footrest Support(L.)	1	
4	02010473	右护板支架	Footrest Support(R.)	1	
5	02050040	搁脚组合后（左）	Rear Foot rest ASSY(L.)	1	
5	02050040-2	后脚蹬左		1	
6	02050043	搁脚组合后（右）	Rear Foot rest ASSY(R.)	1	
6	02050043-2	后脚蹬右		1	

消声器 Muffler



序 NO	件号 Item Code	中文名称 Chinese	英文名称 Description	数量 Q'ty	¥
1	01050066	消声器筒体（管垫、装饰板）	Muffler	1	
1		筒体	Muffler	1	
1		石墨管垫	Washer	1	
1		装饰板（卡箍）	Decorative Board	1	
2	01050065	消声器前管（排气管）	Exhaust Pipe	1	
3	02011454	消声器固定板	Muffler bracket	1	



序 NO	件号 Item Code	中文名称 Chinese	英文名称 Description	数量 Q'ty	¥
1	10050065	仪表	Speedmeter	1	
2	08020100	离合线	Clutch Cable	1	
3	08020206	油门线	Throttle Cable	1	
4	08010102	电缆	Wire harness	1	
5	08020104	风门线	Choke Cable	1	
6	10010035	刹车开关	Brake Switch	1	
7	07020007	刹车开关拉簧	Spring of the Brake switch	1	



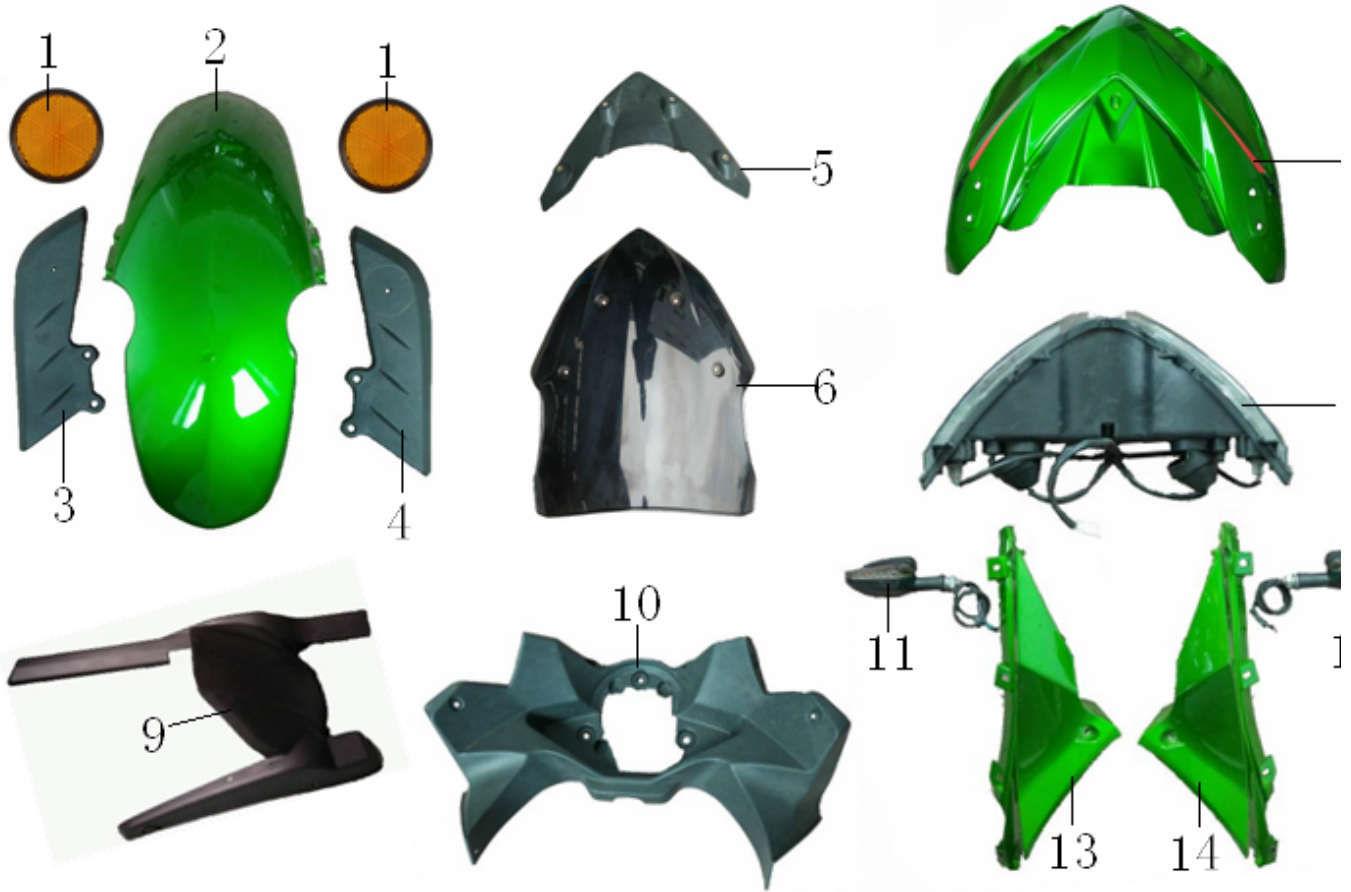
序 NO	件号 Item Code	中文名称 Chinese	英文名称 Description	数量 Q'ty	¥
1	01040029	空滤器	Air Cleaner	1	
2	06990001	二级过滤器	Second Filter	1	
3	09060026	后视镜	Rearview Mirror	1	
4	06030002	汽油管	Fuel Pipe	16cm	
5					
6	03030820	塑件安装扣	Fairing lock	8	
7	06020151	(仪表) 工字型橡胶	Rubber washer	3	
8	06990039	电瓶扎带	Battery Strap	1	
9	02040207	链条 (428H-124)	Chain 428H-124	124	
10	10990005	电瓶 (12V9A立式)	Battery	1	

油箱、坐墊 Gas Tanl & seat



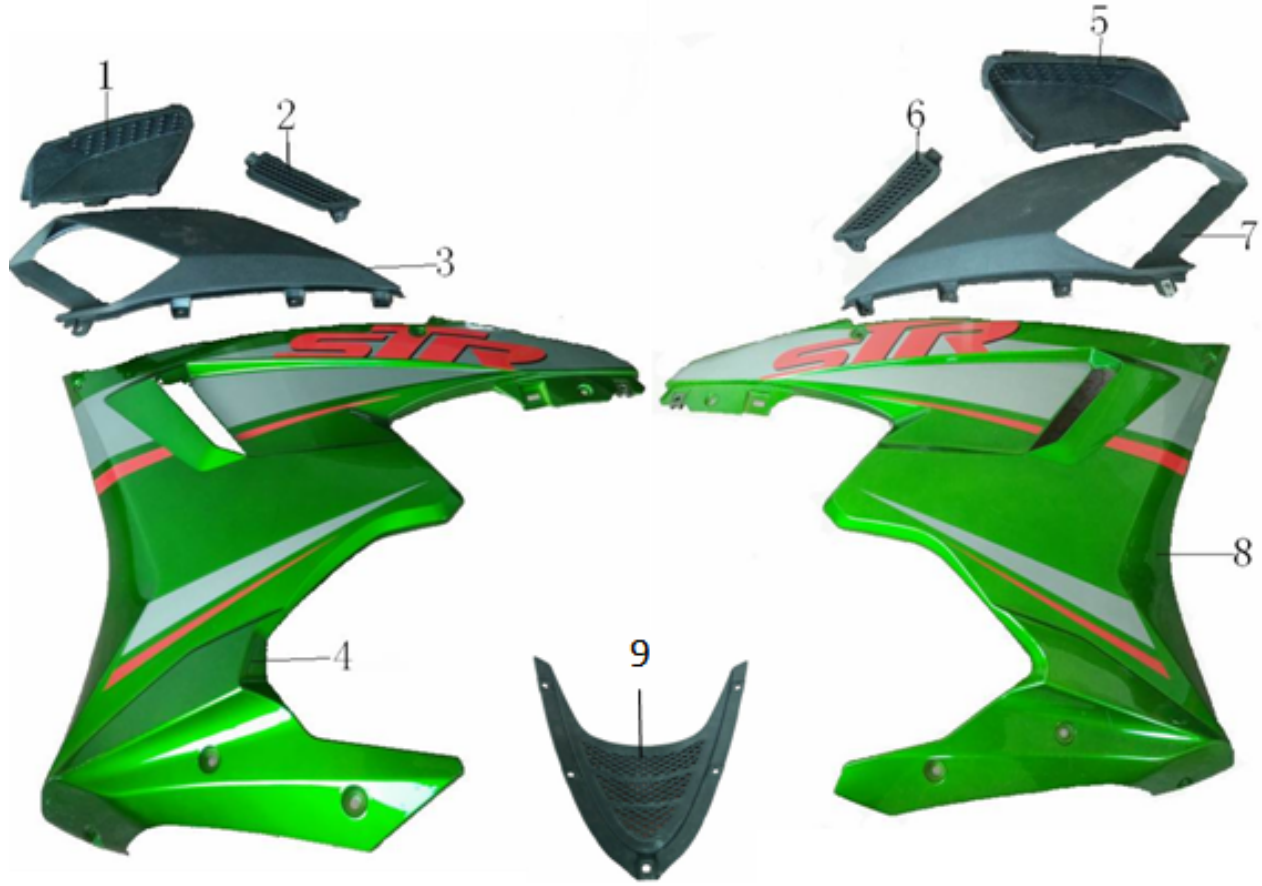
序 NO	件号 Item Code	中文名称 Chinese	英文名称 Description	数量 Q'ty	¥
1	06020033	油箱后缓冲橡胶	Fuel Tank Stand Rubber	1	
2	05030057	油箱	Fuel Tank	1	
3	06020032	油箱前缓冲橡胶	Rubber Stand Of Fuel Tank	2	
4	10060005	油箱开关	Switch of Fuel	1	
5	12010007	油管夹8.8	Pipe Clip 8.8	4	
6	10040069	油位传感器	Sensor, Fuel Gauge	1	
7	05010061	前坐墊	Front Seat	1	
8	05010062	后坐墊	Rear Seat	1	

包覆件 Body Covering



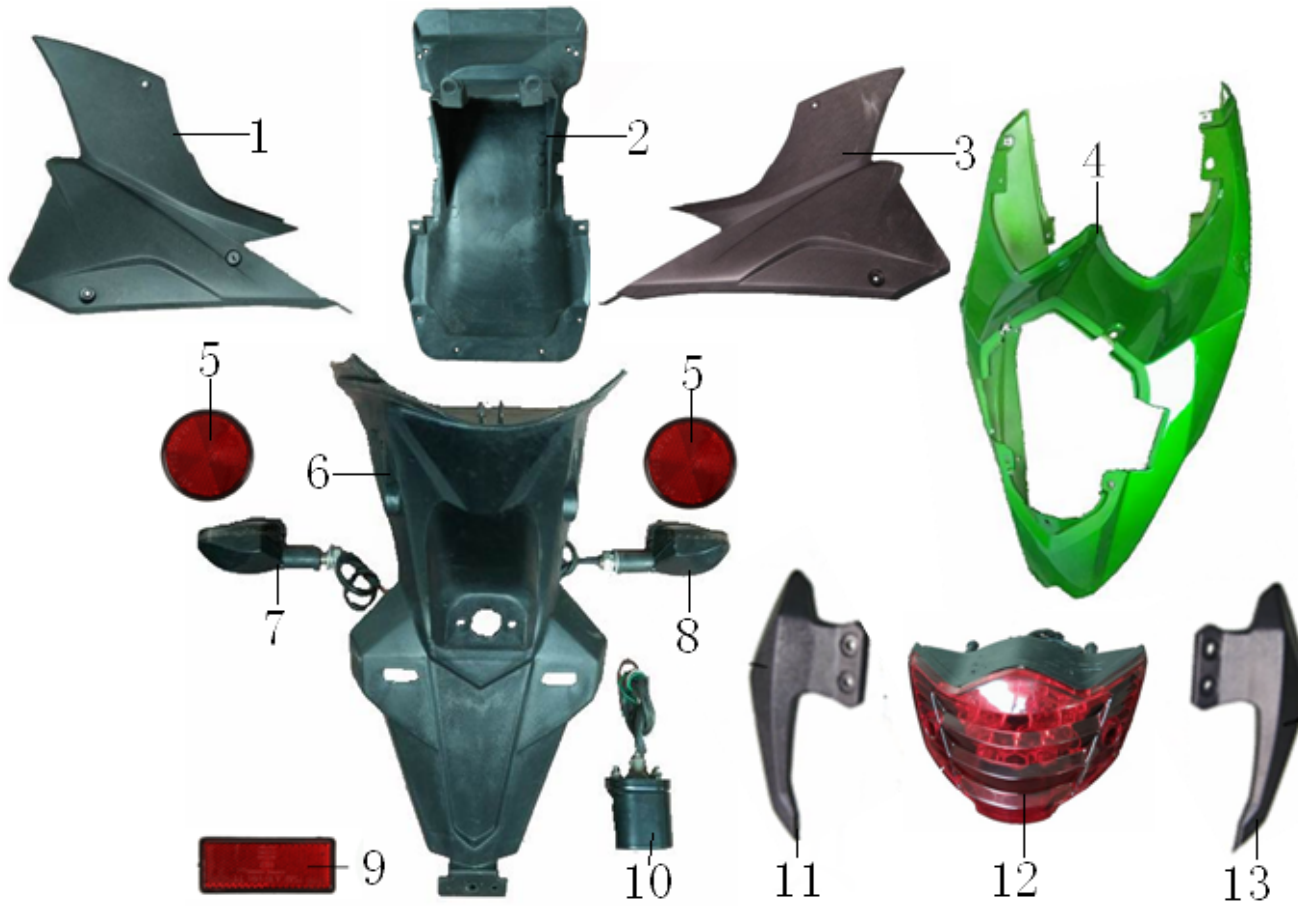
序 NO	件号 Item Code	中文名称 Chinese	英文名称 Description	数量 Q'ty	¥
1	09050002	反光片(圆)	Reflector (round)	2	
2	03010541	(倒置)前泥板	Front Fender	1	
3	03030818	前泥板附件左	Dustcover left		
4	03030819	前泥板附件右	Dustcover Right		
5	03030803	挡风座	Windshield seal		
6	03030817	挡风玻璃	Windshield		
7	03010535	头罩	Headlight Fairing		
8	09010072	前大灯	Head Light		
9	03030814	豪华平叉链罩	Chain guard		
10	03030804	仪表罩	Speedmeter fairing		
11	09020145	前转向灯左	Front indicator Left		
12	09020146	前转向灯右	Front Indicator Right		
13	03010536	油箱罩左	Tank Guard left		
14	03010537	油箱罩右	Tank guard Right		

包覆件 Body Covering



序 NO	件号 Item Code	中文名称 Chinese	英文名称 Description	数量 Q'ty	¥
1	03030807	进气网左	Inlet Mesh Left	1	
2	03030809	前侧板小件左	Air inlet surrounding left	1	
3	03030805	进气口左	Air inlet Left	1	
4	03010538	前侧板左	Left Body	1	
5	03030808	进气网右	Inlet Mesh Right	1	
6	03030810	前侧板小件右	Air inlet surrounding Right	1	
7	03030806	进气口右	Air inlet Right	1	
8	03010539	前侧板右	Right Body	1	
9	03030811	下前板	Bottom Connection board	1	

包覆件 Body Covering



序	件号	中文名称	英文名称	数量	
NO	Item Code	Chinese	Description	Q'ty	¥
1	03030815	中侧板左	Middle body fairing left	1	
2	03030813	内泥板	Rear Interior Fender	1	
3	03030816	中侧板右	Middle body fairing Right	1	
4	03010540	尾板	Tail Fairing	1	
5	09050003	反光片(圆/红色)	Reflector (round, red)	2	
6	03030812	后泥板	Rear Fender	1	
7	09020147	后转向灯左	Rear Indicator Left	1	
8	09020148	后转向灯右	Rear Indicator Right	1	
9	09050001	反光片(方/红色)	Reflector (Square, Red)	1	
10	09030073	牌照灯	License Light	1	
11	03030801	后扶手左	Rear Armrest Left	1	
12	09030072	尾灯	Rear Tail Light	1	
13	03030802	后护手右	Rear Armrest Right	1	
14					

工具包 Tool Kit



序 NO	件号 Item Code	中文名称 Chinese	英文名称 Description	数量 Q'ty	¥
1	16010005	12-14开口扳手	Open Spanner(12-14)	1	
2	16010004	8-10开口扳手	Open Spanner (8-10)	1	
3	16010006	双头螺丝刀	Dual-purpose Screwdriver	1	
4	16010008	18对边火花塞套筒	Spark Plug Box Spanner (S=18)	1	
5	16010002	6mm内六角扳手	Socket Head Screw Wrench(6mm)	1	