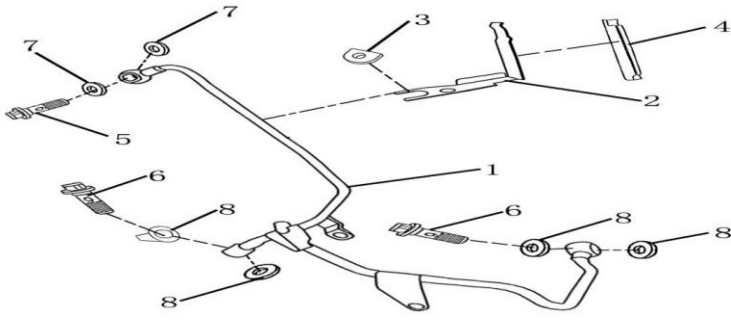


**VENOM X22GT 250CC AUTOMATIC
PARTS CATALOG**

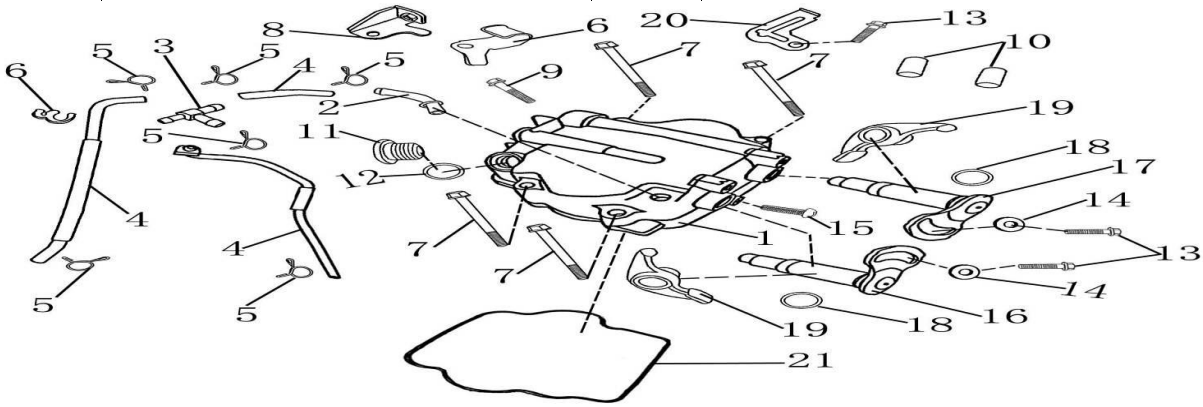


		Model	250 LONG 水冷 ENGINE
Draft 1	VENTILATION SYSTEM	Part No.	YYSSL2500100



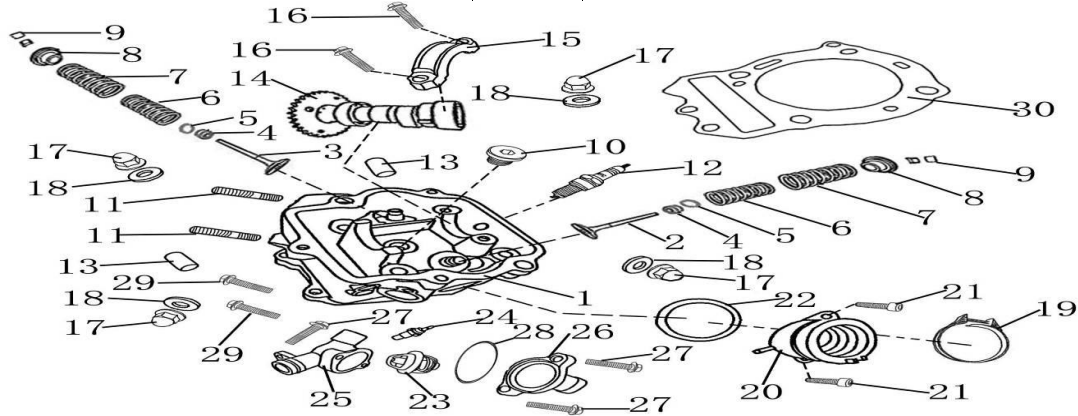
NO.	Part NO.	Description	QTY
1	YYSSL2500001	High Pressure Fuel Tube	1
2	YYSSL2500002	Bracket	1
3	YYSSL2500003	Rubber A	1
4	YYSSL2500004	Rubber B	1
5	YYSSL2500005	Bolt,Fuel Tube M12×28	1
6	YYSSL2500006	Bolt,Fuel Tube M8×25	2
7	YYSSL2500007	Gasket φ8	2
8	YYSSL2500008	Gasket φ12	4

		Model	250 LONG 水冷 ENGINE
Draft 2	CYLINDER HEAD COVER COMP	Part No.	YYSSL2500200



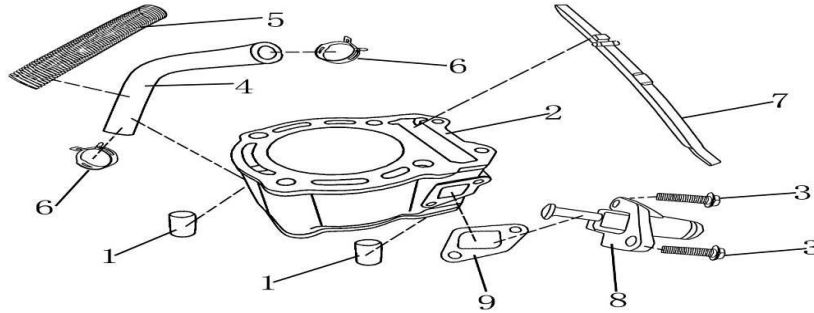
NO.	Part NO.	Description	QTY
1	YYSSL2500201	Cover, Cylinder Head	1
2	YYSSL2500202	Joint, Breather Tube	1
3	YYSSL2500203	Trifurcate Joint,Breather Tube	
4	YYSSL2500204	Breather Tube	3
5	YYSSL2500205	Circlip, Breather Tube	6
6	YYSSL2500206	Clip,Breather Tube	1
7	GB/T5789-M6×50	Flange Bolt M6×50	4
8	YYSSL2500207	Bracket,Air Cleaner	1
9	GB/T5789-M6×25	Flange Bolt M6×25	1
10	YYSSL2500208	Pin Dowel φ10×φ8×16	2
11	YYSSL2500209	Plug	1
12	YYSSL2500210	O Ring	1
13	GB/T5789-M6×12	Flange Bolt M6×12	3
14	GB/95- φ6	Gasket φ6	2
15	GB/T818-M5X15	Cross Screw M5×18	1
16	YYSSL2500211	Rocker Arm,Air Intake	1
17	YYSSL2500212	Rocker Arm,Air Outlet	1
18	YYSSL2500213	O Ring	2
19	YYSSL2500214	Rocker Arm	2
20	YYSSL2500215	Breather Plate	1
21	YYSSL2500216	Gasket, Cylinder Head Cover	1

		Model	250 LONG 水冷 ENGINE
Draft 3	CYLINDER HEAD COMP	Part No.	YYSSL2500300



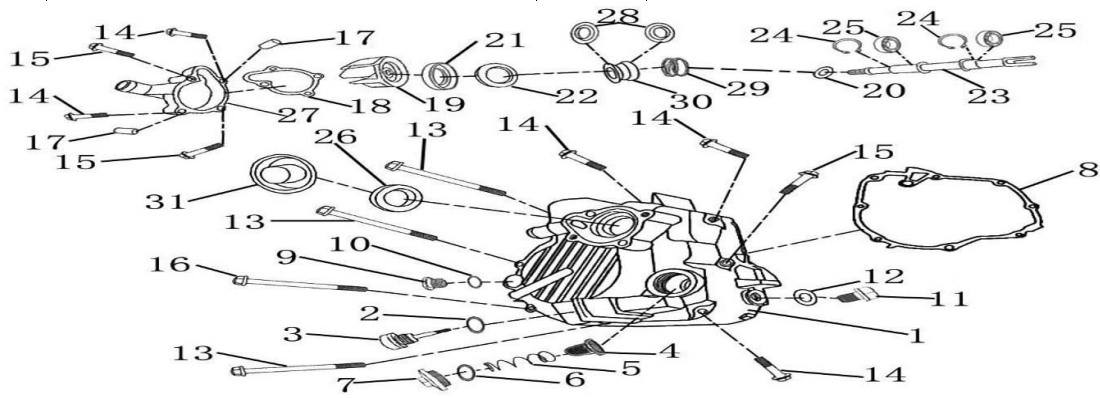
NO.	Part NO.	Description	QTY
1	YYSSL2500301	Cylinder Head	1
2	YYSSL2500302	Valve, In.	1
3	YYSSL2500303	Valve, Ex.	1
4	YYSSL2500304	Oil Seal, Valve Stem	2
5	YYSSL2500305	Washer, Valve Spring	2
6	YYSSL2500306	Spring, Valve Inner	2
7	YYSSL2500307	Spring, Valve Outer	2
8	YYSSL2500308	Retainer, Valve Spring	2
9	YYSSL2500309	Cotter, Valve	2
10	YYSSL2500310	Inner Hex Bolt	1
11	YYSSL2500311	Bolt, Ex. Valve Stud M8×	2
12	YYSSL2500312	Spark Plug DTRTC	1
13	YYSSL2500313	Pin, Dowel $\phi 10 \times \phi 8 \times 16$	2
14	YYSSL2500314	Camshaft	1
15	YYSSL2500315	Camshaft Fixing Plate	1
16	GB/T5789-M6×22	Flange Bolt M6×22	2
17		Bolt M8	4
18	YYSSL2500316	Gasket $\phi 8$	4
19	YYSSL2500317	Clip, Intake Pipe	1
20	YYSSL2500318	Intake Pipe	1
21		Inner Hex Bolt M6×16	2
22	YYSSL2500319	O Ring	1
23	YYSSL2500320		1
24	YYSSL2500321		1
25	YYSSL2500322		1
26	YYSSL2500323		1
27	GB/T5789-M6×16	Flange Bolt, M6×16	3
28	YYSSL2500324	O Ring	1
29	GB/T5789-M6×22	Flange Bolt, M6×22	2
30	YYSSL2500321	Paper Gasket, Cylinder	1

		Model	250 LONG 水冷 ENGINE
Draft 4	CYLINDER COMP	Part No.	YYSSL2500400



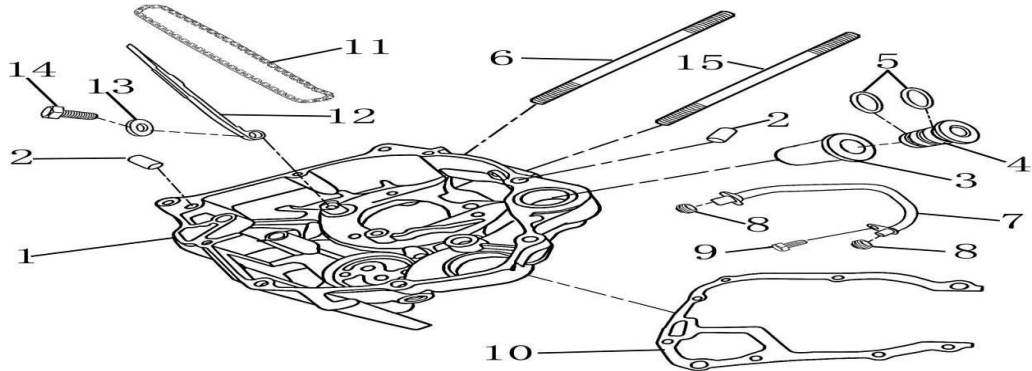
NO.	Part NO.	Description	QTY
1	YYSSL2500401	Pin, Dowel $\phi 10 \times \phi 8 \times 16$	2
2	YYSSL2500402	Cylinder	1
3	GB/T5789-M6×22	Flange Bolt, M6×22	2
4	YYSSL2500403	Tube	1
5	YYSSL2500404	Spring	1
6	YYSSL2500405	Clip	2
7	YYSSL2500406	Chain Stem	1
8	YYSSL2500407	Chain Adjusting	1
9	YYSSL2500408	Gasket, Chain Adjusting	1

		Model	250 LONG 水冷 ENGINE
Draft 5	RIGHT COVER COMP	Part No.	YYSSL2500500



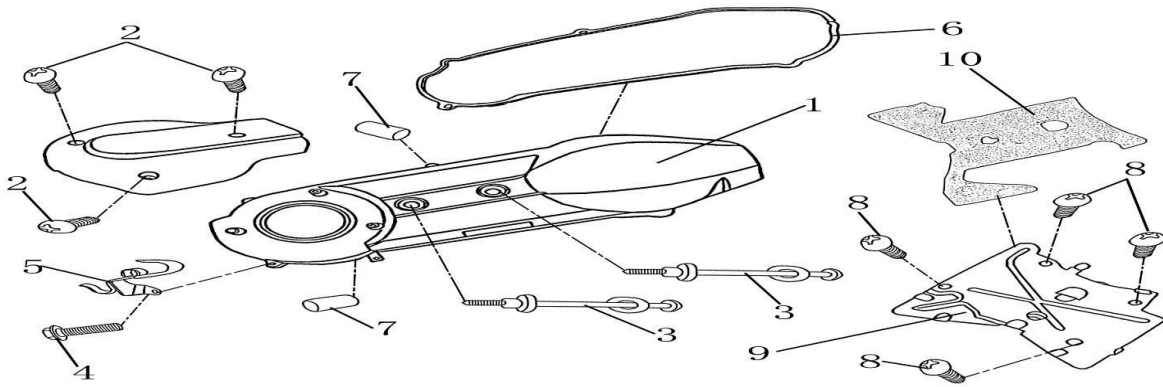
NO.	Part NO.	Description	QTY
1	YYSSL2500501	Cover, R. Crankcase	1
2	GB3452.1- φ 19	Seal O-Ring, Oil Level Gauge, φ19	1
3	YYSSL2500502	Oil Level Gauge	1
4	YYSSL2500503	Oil Filter Screen	1
5	YYSSL2500504	Spring, Oil Filter Screen	1
6	YYSSL2500505	O Ring,Oil Filter	1
7	YYSSL2500506	Oil Filter Cap	1
8	YYSSL2500508	Paper Gasket, R.Crankcase Cover	1
9	YYSSL2500509	Plug	1
10	YYSSL2500510	O Ring	1
11	GB/T5789-M12×15	Flange Bolt M12×15	1
12	YYSSL2500511	Gasket	1
13	GB/T5789-M6×70	Flange Bolt M6×70	3
14	GB/T5789-M6×40	Flange Bolt M6×40	5
15	GB/T5789-M6×25	Flange Bolt M6×25	3
16	GB/T5789-M6×80	Flange Bolt M6×80	1
17	YYSSL2500512	Pin, Dowel φ8×φ6×14	2
18	YYSSL2500513	Paper Gasket,Pump	1
19	YYSSL2500514	Impeller,Pump	1
23	YYSSL2500517	Pump Shaft	1
24	YYSSL2500518	Clip,Pump Shaft	2
25	YYSSL2500519	Bearing,Pump	2
26	YYSSL2500520	Oil Seal	1
20		Gasket φ6	1
21	YYSSL2500515	Waterproof Gasket	1
22	YYSSL2500516	Seal Ring	1
27	YYSSL2500521	Impeller Cover	1
28	YYSSL2500522	Spring Seat	2
29	YYSSL2500523	Spring	1
30	YYSSL2500524	Rubber	1
31	YYSSL2500527	Waterproof Seat	1

		Model	250 LONG 水冷 ENGINE
Draft 6	RIGHT CRANKCASE COMP	Part No.	YYSSL2500600



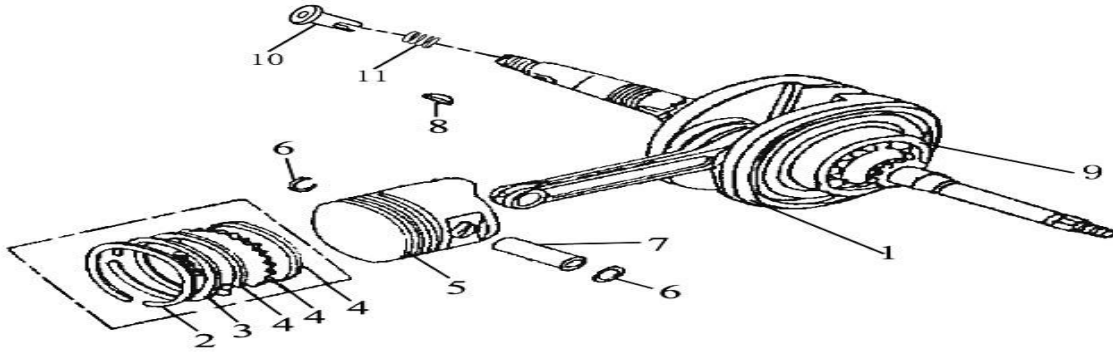
NO.	Part NO.	Description	QTY
1	YYSSL2500601	Right Crankcase Assy	1
2	YYSSL2500602	Pin, Dowel $\phi 10 \times \phi 8 \times 14$	2
3	YYSSL2500603	Cushion Collar, Engine Mount (Inner)	1
4	YYSSL2500604	Cushion Collar, Engine Mount (Outer)	1
5	YYSSL2500605	O Ring	2
6	YYSSL2500606	Bolt, M8 \times 177	2
7	YYSSL2500607	High Pressure Fuel Tube	1
8	YYSSL2500608	Seal Ring	2
9		Hex Bolt M6 \times 12	1
10	YYSSL2500609	Paper Gasket, Crankcase	1
11	YYSSL2500610	Timing Chain,Cam	1
12	YYSSL2500611	Tension Stem, Cam Timing Chain	1
13		Hex Bolt M6 \times 12	1
14		Gasket $\phi 6$	1
15	YYSSL2500612	Bolt M8 \times 185	1

		Model	250 LONG 水冷 ENGINE
Draft 8	LEFT CRANKCASE COVER	Part No.	YYSSL2500800



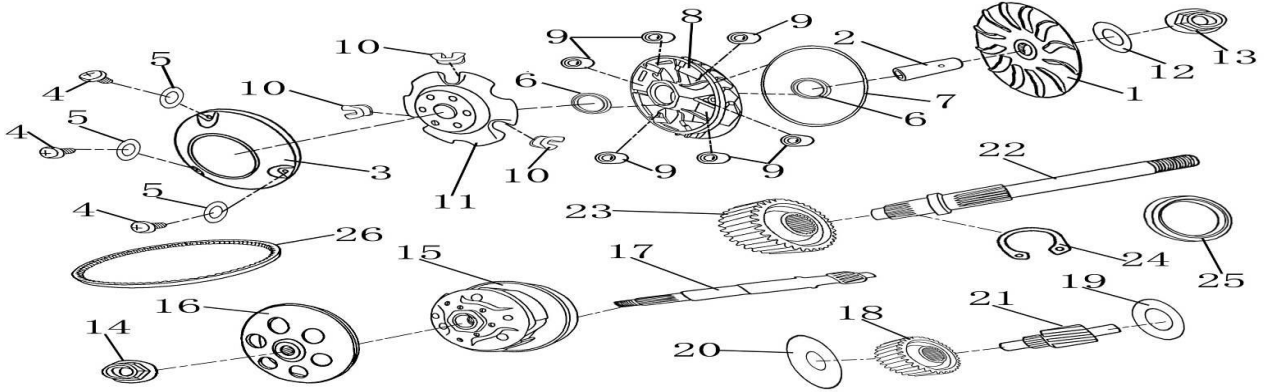
NO.	Part NO.	Description	QTY
1	YYSSL2500801	Left Crankcase Cover	1
2	GB/818 M5X8	Cross Screw M5×8	3
3	YYSSL2500802	Hex Bolt M6×108	2
4	GB/T5789-M6×16	Flange Bolt M6×16	1
5	YYSSL2500803	Clip, Brake Hose/Cable	1
6	YYSSL2500804	Rubber Gasket,Left Crankcase Cover	1
7	YYSSL2500805	Pin ,Dowel φ10×φ8×16	2
8	GB/818 M5X8	Cross Screw M5×8	4
9	YYSSL2500806	Guide Plate for Breather	1
10	YYSSL2500807	Asbestos	1

		Model	250 LONG 水冷 ENGINE
Draft 9	PISTON, CONNECTING ROD AND CRANKSHAFT COMP	Part No.	YYSSL2500900



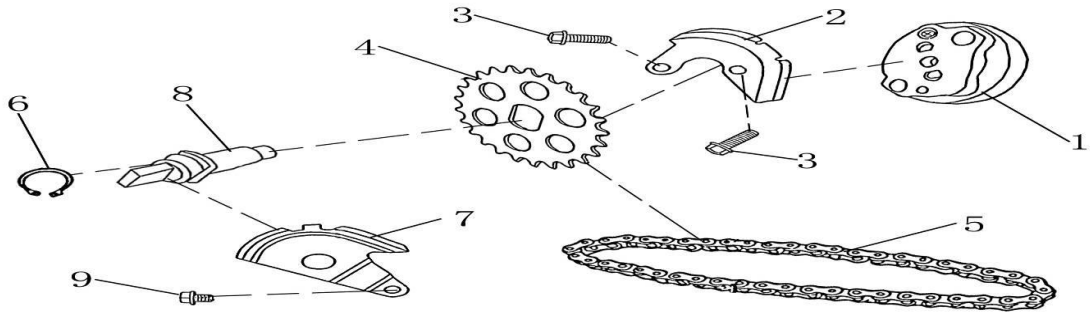
NO.	Part NO.	Description	QTY
1	YYSSL2500901	Crankshaft & Connecting Rod Comp	1
2	YYSSL2500902	Steel Ring (1st Ring), Piston	1
3	YYSSL2500903	Carbon Ring (2st Ring), Piston	1
4	YYSSL2500904	Oil Ring Set, Piston	1
5	YYSSL2500905	Piston	1
6	YYSSL2500906	Circlip, Piston Pin	2
7	YYSSL2500907	Pin, Piston	1
8	YYSSL2500908	Semi-circle Key	2
10	YYSSL2500910	Plug, Oil Pump	1
11	YYSSL2500911	Spring	1

		Model	250 LONG 水冷 ENGINE
Draft 10	CVT	Part No.	YYSSL2501000



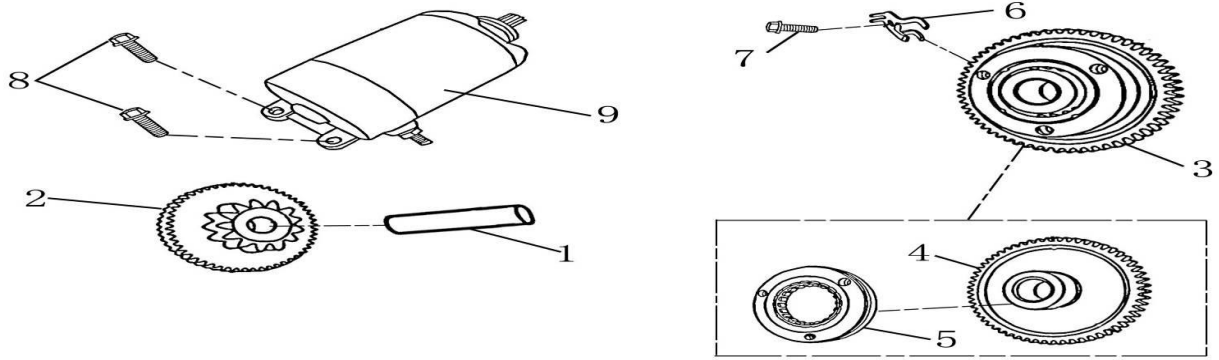
NO.	Part NO.	Description	QTY
1	YYSSL2501001	Impeller, Primary Driving System	1
2	YYSSL2501002	Collar, Primary Driving System, $\phi 27 \times \phi 17 \times 62$	1
3	YYSSL2501003	Cover, Primary Driving System	1
4	GB/T818 M4X10	Cross Screw M4X10	3
5	YYSSL2501004	Washer	3
6	YYSSL2501005	Oil Seal	2
7	YYSSL2501006	O Ring	1
8	YYSSL2501007	Primary Driving System	1
9	YYSSL2501008	Roll Rod, Speed Shift, Primary Driving System	6
10	YYSSL2501009	Cushion Rubber	3
11	YYSSL2501010	Speed Shift Tray	1
12	GB/T95- $\phi 14$	Washer, $\phi 14$	2
13	GB/T6177.1-M14	Nut, M14	1
14	GB/T6187.1-M12	Nut, M12	1
15	YYSSL2501011	Subordinate Driven System	1
16	YYSSL2501012	Subordinate Driven Cover	1
17	YYSSL2501013	Driven Mainshaft	1
18	YYSSL2501014	Center Gear	1
19	YYSSL2501015	Washer $\phi 14 \times \phi 27$	1
20	YYSSL2501016	Washer $\phi 20 \times \phi 32$	1
21	YYSSL2501017	Gear	1
22	YYSSL2501018	Final Shaft	1
23	YYSSL2501019	Final Gear	1
25	YYSSL2501021	Oil Seal 34x52x5	1
26	YYSSL2501022	Belt, CVT	1

		Model	250 LONG 水冷 ENGINE
Draft 11	OIL PUMP COMP	Part No.	YYSSL2501100



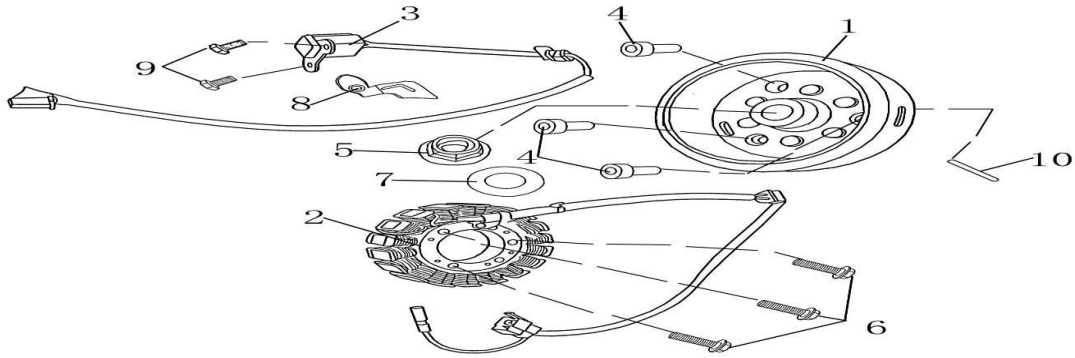
NO.	Part NO.	Description	QTY
1	YYSSL2501101	Oil Pump	1
8	YYSSL2501107	Oil Pump Shaft	1
2	YYSSL2501102	A Cover,Oil Pump	1
3	GB/T5789-M6×28	Flange Bolt, M6×28	2
4	YYSSL2501103	Sprocket, Oil Pump	1
5	YYSSL2501104	Chain, Oil Pump	1
6	YYSSL2501105	Circlip	1
7	YYSSL2501106	B Cover, Oil Pump	1
9	GB/T5789-M6×12	Bolt, M6×12	1

		Model	250 LONG 水冷 ENGINE
Draft 12	STARTER MOTOR	Part No.	YYSSL2501200

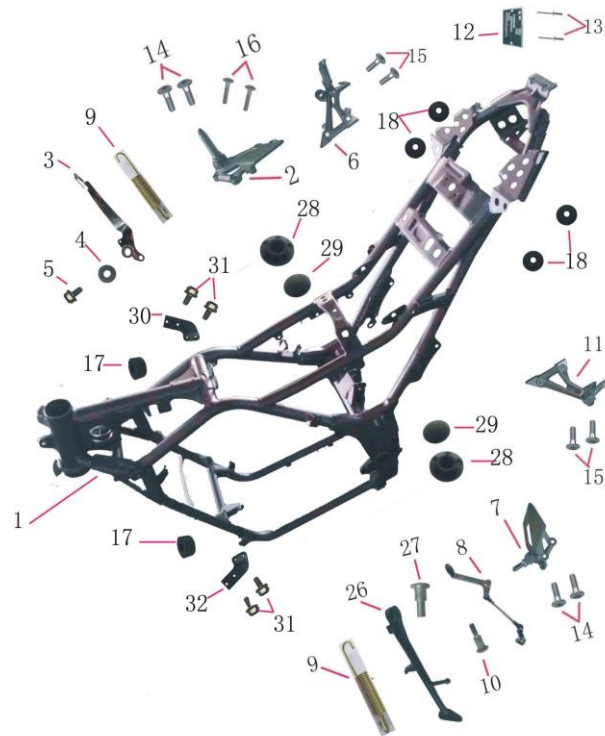


NO.	Part NO.	Description	QTY
1	YYSSL2501201	Electric Start Gear Shaft	1
2	YYSSL2501202	Electric Start Gear	1
3	YYSSL2501203	Start Clutch Subassembly	1
4	YYSSL2501204	Start Clutch Gear	1
5	YYSSL2501205	Start Clutch Cover	1
6	YYSSL2501206	Start Clutch Plate	1
7	GB/T5789-M6×16	Flange Bolt, M6×16	1
8	GB/T5789-M6×22	Flange Bolt, M6×22	2
9	YYSSL2501207	Start Motor	1

		Model	250 LONG 水冷 ENGINE
Draft 13	GENERATOR	Part No.	YYSSL2501300

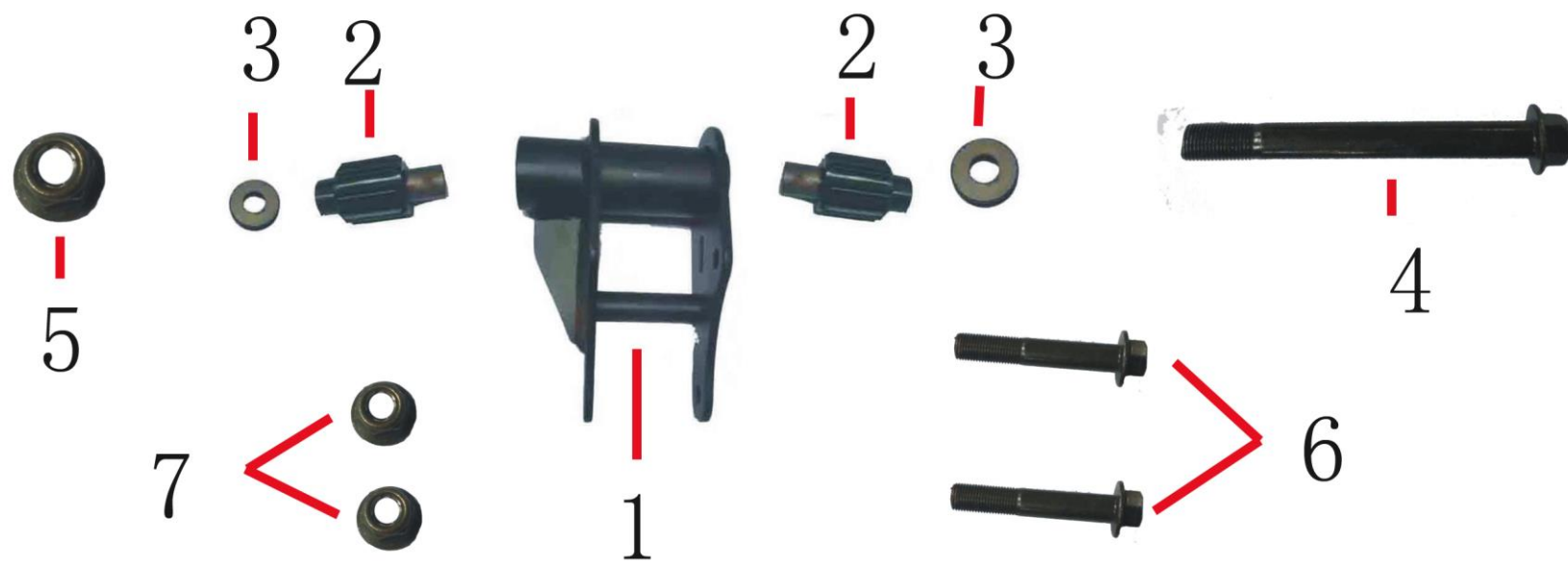


NO.	Part NO.	Description	QTY
1	YYSSL2501301	Generator Assy	1
2	YYSSL2501302	Magneto Coil, (Stator)	1
3	YYSSL2501303	Trigger, (Flywheel)	1
4		Inner Hex Bolt M8×18	3
5	GB/T6187.1-M16	Flange Lock Nut, M16	1
6	GB/T5789-M6×30	Flange Bolt, M6×30	3
7	GB/95-φ16	Washer φ16	1
8	YYSSL2501304	Fixing Plate, Trigger	1
9	GB/T5789-M6×30	Flange Bolt, M5×16	2
10	YYSSL2501305	Pin Φ2x14	1

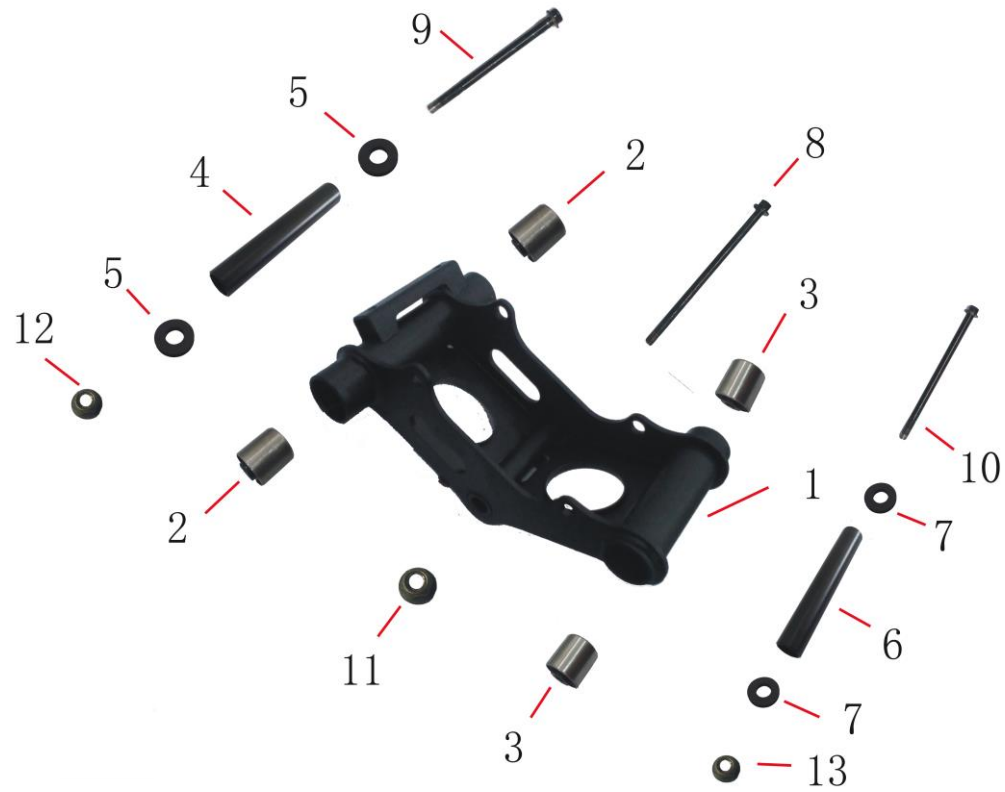


NO.	Part NO.	Description	QTY	Unit price	QTY of order	Remark
1	YY350-6E-2300000	Main Frame	1			
2	YY350-6E-2107200	Footrest Assy, Front left	1			
3	YY350-6E-2107220	Foot panel, rear break	1			
4	GB/T95-Φ6	Plain Washer, Φ16×Φ6×1	1			
5	GB/T6177-M6×16	Flange Bolt, M6×16	1			
6	YY350-6E-2107500	Right pedal stents	1			
7	YY350-6E-2107200	Footrest Assy, Front left	1			
8	YY350-6E-2107250	Possion pole, gearbox	1			
9	YY350-6E-2106012	Spring, Side Stand	2			
10	YY350-6E-2107251	Shift rod bolt	1			
11	YY350-6E-2107400	Left pedal stents	1			
12	YY350-6E-2106037	Statutory Inscription Plate	1			
13	GB/T12615-Φ4	Rivet	2			
14	GB/T 2671.2	Hex head bolt	4			
15	GB/T 2671.2	Hex head bolt	4			
16	GB/70-M6×30	Inner Hex Bolt, M6×30	2			

17	YY350-6E-2102008	Before the suspension plug	2			
18	YY350-6E-2102009	rubber ring	4			
26	YY350-6E-2107150	Side Stand Assy	1			
27	YY350-6E-2107151	Single stay bolt	1			
28	YY350-6E-2300001	After the flat fork plug	2			
29	YY350-6E-2300002	After the shock plug	2			
30	YY350-6E-2300003	On the right side of the plastic parts, the installation bracket	1			
31	GB/T6177-M6×12	Flange Bolt, M6×12	4			
32	YY350-6E-2300004	On the left side of the plastic pieces of the mounting bracket	1			

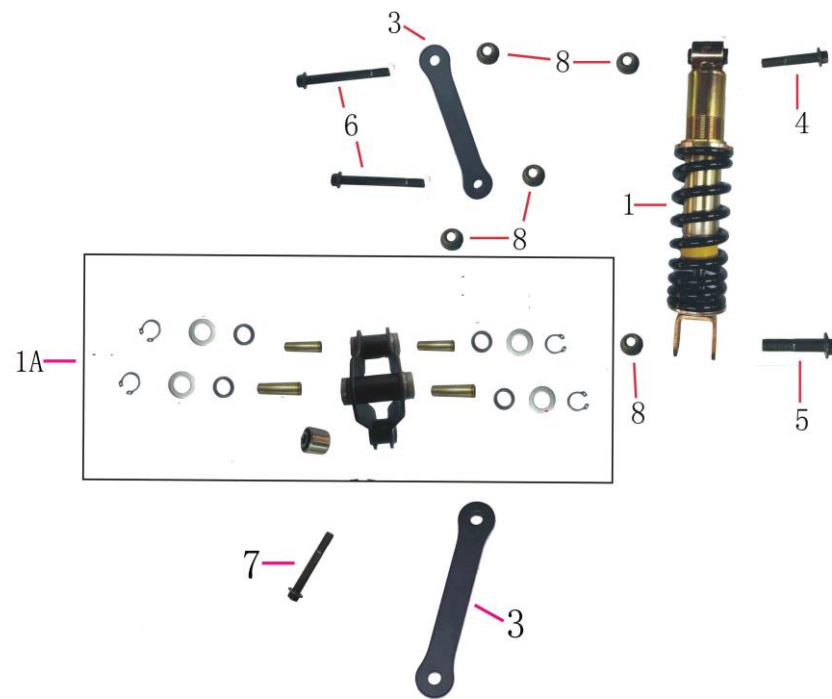


NO.	Part NO.	Description	QTY	Unit price	QTY of order	Remark
1			1			
2			2			
3			2			
4	GB/T6187. 1-M10	Flange Lock Nut, M10	1			
5	GB/T5789-M10×110	Flange Bolt, M10×110	1			
6	GB/T5789-M8×70	Flange Bolt, M8×70	2			
7	GB/T6187. 1-M8	Flange Lock Nut, M8	2			

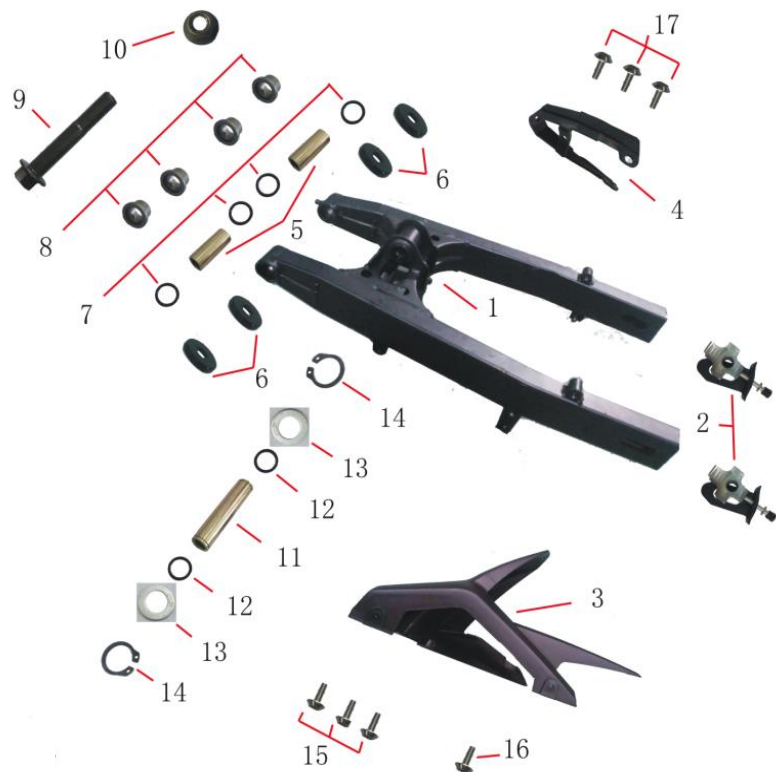


NO.	Part NO.	Description	QTY	Unit price	QTY of order	Remark
1		Support, engine	1			
2		Shock absorbing bushing	2			
3		Shock absorbing bushing	2			
4		Steel tube	1			
5		Rubber ring	2			
6		Steel tube	1			

7		Rubber ring	2		
8	GB/T5789-M14×275	Flange Bolt, M14×275	1		
9	GB/T5789-M10×150	Flange Bolt, M10×150	1		
10	GB/T5789-M12×205	Flange Bolt, M12×205	1		
11	GB/T6187.1-M14	Flange Lock Nut, M14	1		
12	GB/T6187.1-M10	Flange Lock Nut, M10	1		
13	GB/T6187.1-M12	Flange Lock Nut, M12	1		

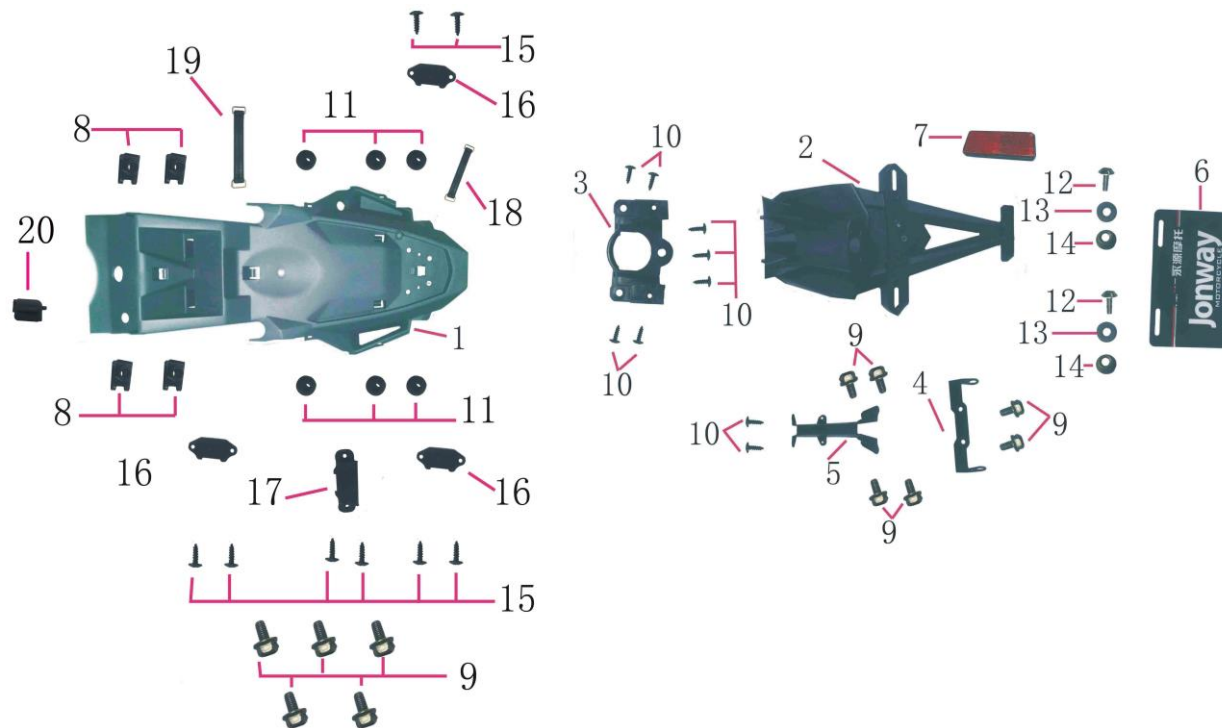


NO.	Part NO.	Description	QTY	Unit price	QTY of order	Remark
1	YY350-6E-2105030	Rear Shock Absorber Assy	1			
3	YY350-6E-2105031	After the suspension hanging connection plate	2			
4	GB/T5789-M12×70	Flange Bolt, M12×70	1			
5	GB/T5789-M12×60	Flange Bolt, M12×60	1			
6	GB/T5789-M12×115	Flange Bolt, M12×115	2			
7	GB/T5789-M12×90	Flange Bolt, M12×90	1			
8	GB/T6187.1-M12	Flange Lock Nut, M12	5			
1A	YY350-6E-2106100	After the suspension connection components	1			



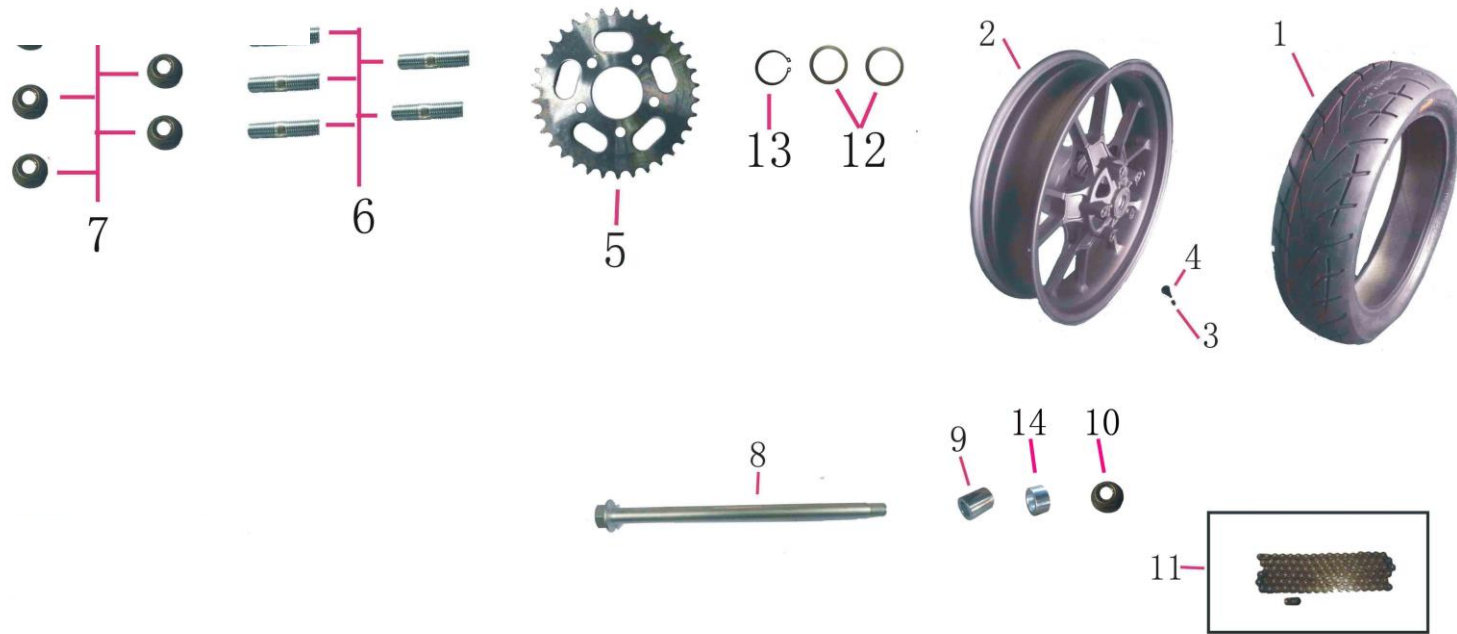
NO.	Part NO.	Description	QTY	Unit price	QTY of order	Remark
1	YY350-6E-2300010	Rear fork	1			
2	YY350-6E-2102018	Adjusting, chain	2			
3	YY350-6E-2106013	Cover, chain	1			
4	YY350-6E-2102002	Block, chain upon moving	1			
5	YY350-6E-2106027	Flat fork collar	2			
6	YY350-6E-2106026	Flat fork dust cover	4			
7	YY350-6E-2102019	Type 0 circle	4			
8		spacer	4			
9	GB/T5789-M14×255	Flange Bolt, M14×255	1			
10	GB/T6187.1-M14	Flange Lock Nut, M14	1			

11		After hang liner	1			
12		Type 0 circle	2			
13		Flat mat	2			
14		After the shock absorption spring	2			
15	GB/T70. 2-M6×16	Umbrella bolt, M6×16	3			
16	GB/T70. 2-M6×12	Umbrella bolt, M6×12	1			
17	GB/T70-M6×16	Umbrella bolt, M6×16	3			
18		spacer	2			

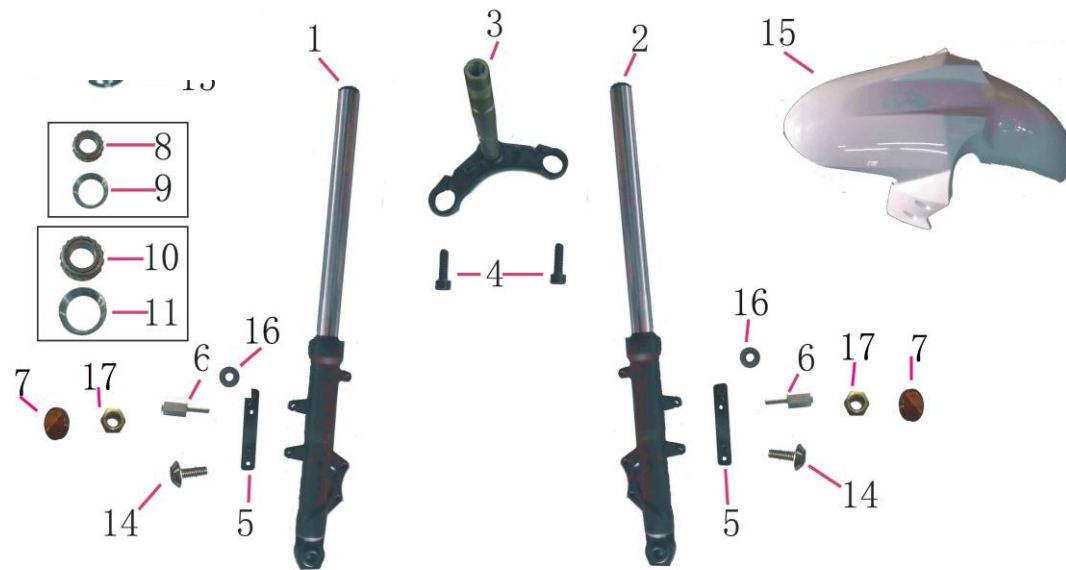


NO.	Part NO.	Description	QTY	Unit price	QTY of order	Remark
1	YY350-6E-2200081	The clay tablets	1			
2	YY350-6E-2200080	After clay tablets	1			
3	YY350-6E-2200082	Tail lamp connection plate	1			
4	YY350-6E-2200083	After the turn signal bracket	1			
5	YY350-6E-2200084	After the mudguard bracket	1			
6	YY350-6E-2200089	The license plate	1			
7	YY350-6E-2002060	Rear reflection device	1			
8	YY350-6E-2101031	Tapping a card	4			
9	GB/T5789-M6×16	Flange Bolt, M6×12	11			
10	GB/T845-S4.2×13	Self tapping screw, S4.2×13	9			
11	YY350-6E-2200090	rubber ring	6			
12	GB/T70 M6×20	Umbrella bolt	2			
13	GB/T95-φ22×φ6×1	Plain Washer, φ22×φ6×1	2			
14	GB/T6187.1-M6	Flange Lock Nut, M6	2			

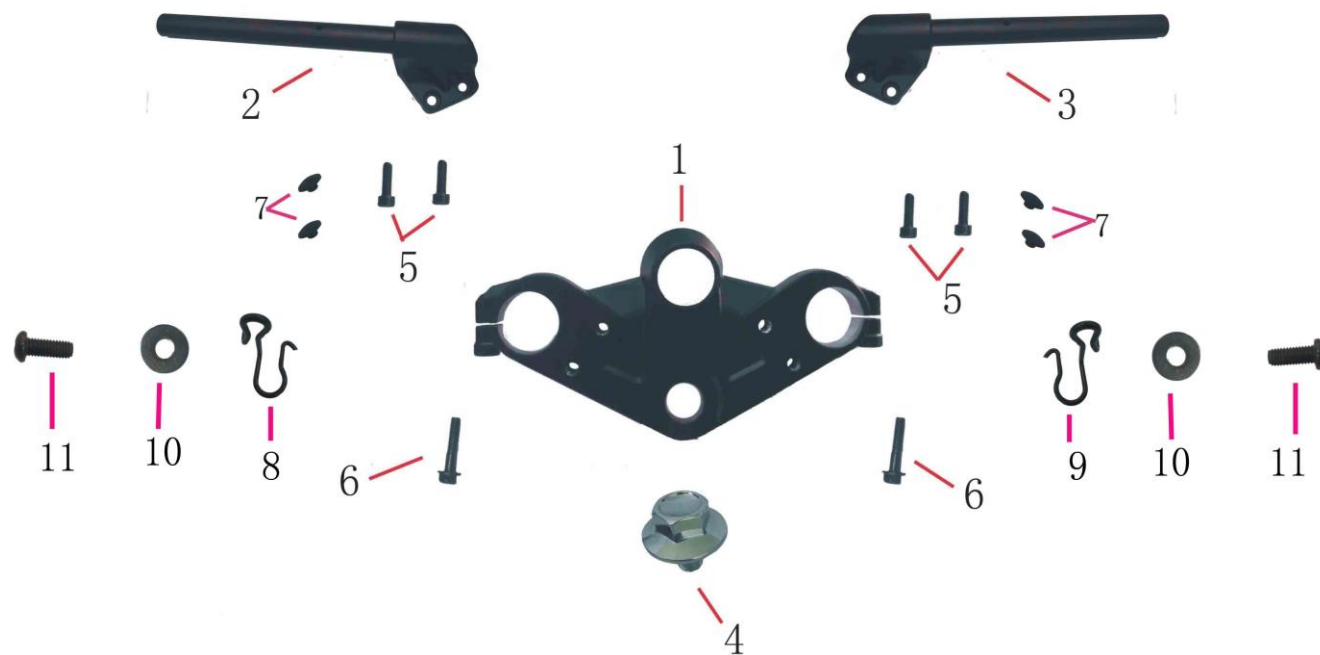
15	GB/T845-ST2.9×10	Self tapping screw, S2.9×10	8			
16	YY350-6E-2200085	The plug after 1	3			
17	YY350-6E-2200086	The plug after 2	1			
18	YY350-6E-2200087	Tools to bind	1			
19	YY350-6E-2200088	The battery strap	1			
20	YY350-6E-2200092	Tail lights line plug	1			



NO.	Part NO.	Description	QTY	Unit price	QTY of order	Remark
1	YY350-6E-2103220	Tyre, Rear Wheel	1			
2	YY350-6E-2103200	Rim, Rear Wheel	1			
3	YY350-6E-2103112	Cap, Tubeless Valve	1			
4	YY350-6E-2103111	Tubeless Valve	1			
5	YY350-6E-2106009	Driven chain gear	1			
6	YY350-6E-2103250	Bolt, chain gear	5			
7	GB/T6187-M10	Flange Lock Nut	5			
8	GB/T5789-M16×305	Flange Bolt, M16×305	1			
9	YY350-6E-2103221	Collar, $\phi 28 \times \phi 18 \times 38$	1			
10	GB/T6187.1-M16	Flange Lock Nut, M16	1			
11	YY350-6E-2106010	Chains	1			
12	YY350-6E-2103211	After the sprocket gasket	2			
13	YY350-6E-2103212	After the sprocket circlip	1			
14	YY350-6E-2103222	Collar, $\Phi 28 \times \Phi 17.5 \times 14.5$	1			



NO.	Part NO.	Description	QTY	Unit price	QTY of order	Remark
1	YY350-6E-2105010	L. Front Shock Absorber	1			
2	YY350-6E-2105020	R. Front Shock Absorber	1			
3	YY350-6E-2107140	Bottom allied board components	1			
4	GB/70-M10×30	Inner Hex Bolt, M10×30	2			
5	YY350-6E-2300061	Clay tablets before stent	2			
6	YY350-6E-2300051	The side reflector bolt	2			
7	YY350-6E-2002050	Reflector	2			
8	YY360-6E-2107143	Steel Ball Bowl Assy	1			
9	YY350-6E-2101057	Bearing steel bowl	1			
10	YY350-6E-2107144	Steel Ball Bowl Assy	1			
11	YY350-6E-2101058	Bearing steel bowl	1			
12	YY350-6E-2101062	Dust cover	1			
13	YY350-6E-2107141	FangXiangZhu lock nut	1			
14	GB/T70.2-M6×12	Umbrella bolt , M6×12	2			
15	YY350-6E-2200070	The horse before clay tablets	1			
16	GB/T95-φ6	Flat gasket	2			
17	GB/T6187.1-M6	Flange nut, M6	2			



NO.	Part NO.	Description	QTY	Unit price	QTY of order	Remark
1	YY350-6E-2107130	Above Bridge Assy, Steer Stem	1			
2	YY350-6E-2107110	The left direction	1			
3	YY350-6E-2107120	The right direction	1			
4	GB/T6177-M14×22	Flange Bolt, M14×22	1			
5	GB/70-M8×30	Inner Hex Bolt, M8×30	4			
6	GB/T6177-M8×40	Flange Bolt, M8×40	2			
7	YY350-6E-2107111	Bolts of rubber	4			
8	YY350-6E-2107112	The hook of the left line of hand switch	1			
9	YY350-6E-2107113	Hook hand switch right line	1			
10	GB/T95-φ16×φ5×1	Plain Washer, φ16×φ5×1	2			
11	GB/70-M5×12	The small dish head screw. M5×12	2			



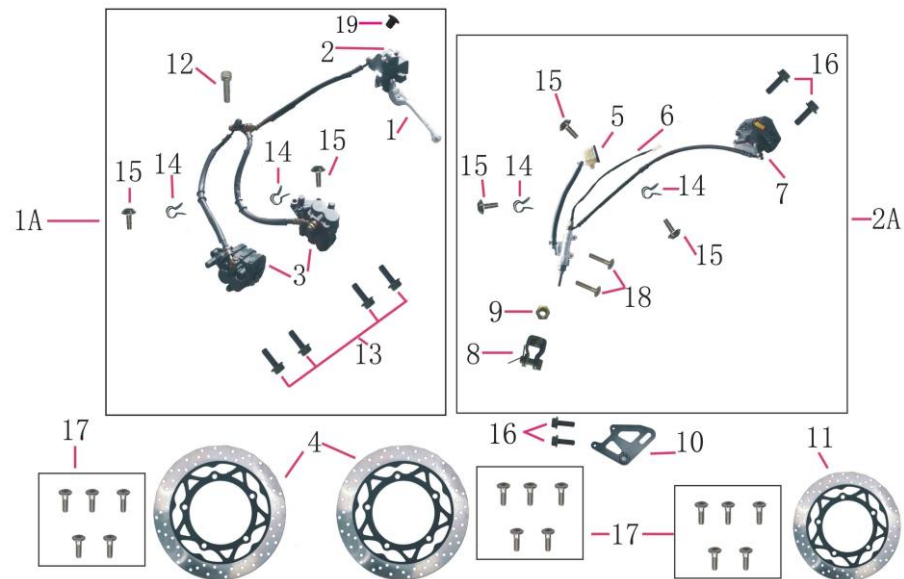
NO.	Part NO.	Description	QTY	Unit price	QTY of order	Remark
1	YY350-6E-2106001	Switch Assy, L. Handlebar	1			
2	YY350-6E-2106002	Switch Assy, R. Handlebar	1			
3	YY350-6E-2102006	Rubber Grip, L. Handle	1			
4	YY350-6E-2102007	Rubber Grip, R. Handle	1			
5	YY350-6E-2107142	Counterbalance	2			
6	YY350-6E-2106038	Clutch handle seat	1			
7	YY350-6E-2102011	Waterproofing cap, clutch	1			
8	YY350-6E-2106007	Throttle Cable	1			
9	YY350-6E-2106006	Cable, Clutch	1			
10	YY350-6E-2106039	Rubber plug	1			



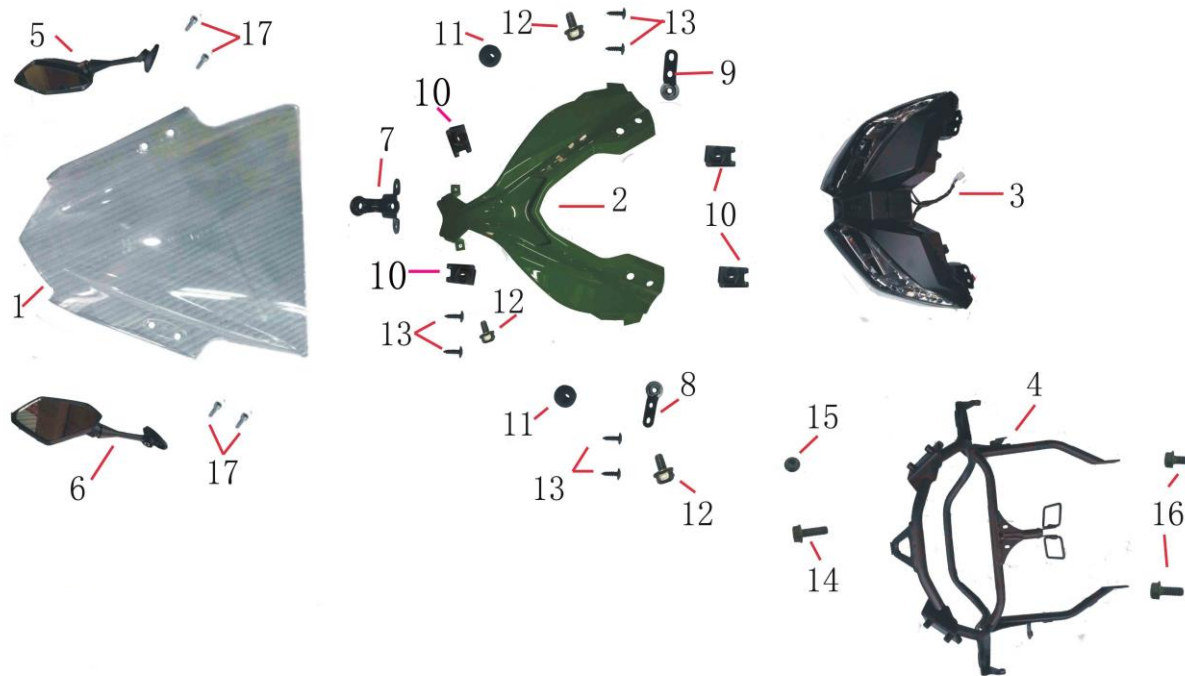
NO.	Part NO.	Description	QTY	Unit price	QTY of order	Remark
1	YY350-6E-2103100	Rim, Front Whee	1			
2	YY350-6E-2103110	Tyre, Front Wheel 110/70-16	1			
3	YY350-6E-2103111	Tubeless Valve	1			
4	YY350-6E-2103112	Cap, Tubeless Valve	1			
5	GB/T5789-M14×270×Φ15	Flange Bolt, M14×250×Φ15	1			
6	YY350-6E-2106008	Cable, Odometer	1			
7	YY350-6E-2103113	Collar, Φ25×Φ15.3×25	1			
8	GB/T6187.1-M14	Flange Lock Nut, M14	1			



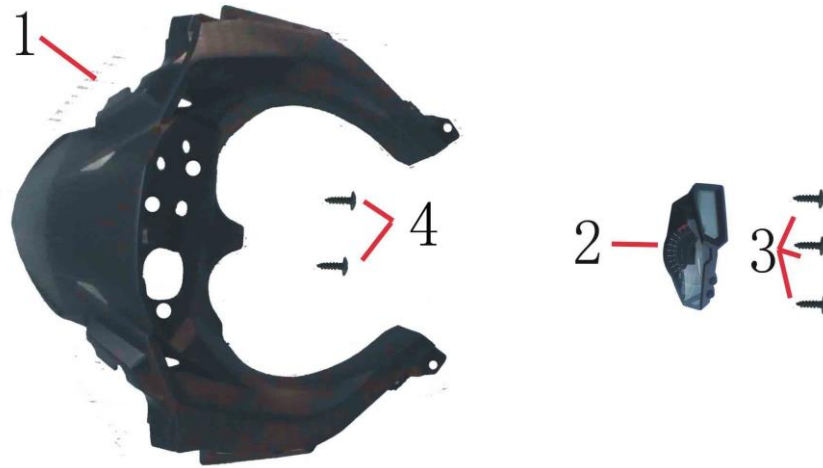
NO.	Part NO.	Description	QTY	Unit price	QTY of o	Remark
1	YY350-6E-2108005	Key	2			
2	YY350-6E-2108006	Electric door lock	1			
3	YY350-6E-2108007	Cap Assy, Fuel Tank	1			
4	YY350-6E-2108001	Lock Support, seat	1			
5	YY350-6E-2108002	Seat cushion lock is fixed plate	1			
6	YY350-6E-2108004	Jump ring	1			
7	YY350-6E-2108003	Seat cushion lock cable	1			
8	GB/70-M6×25	Inner Hex Bolt, M6×25	2			
9	GB/70-M5×27	Inner Hex Bolt, M5×27	3			
10	GB/70-M6×16	Hexagon nut, M6	2			



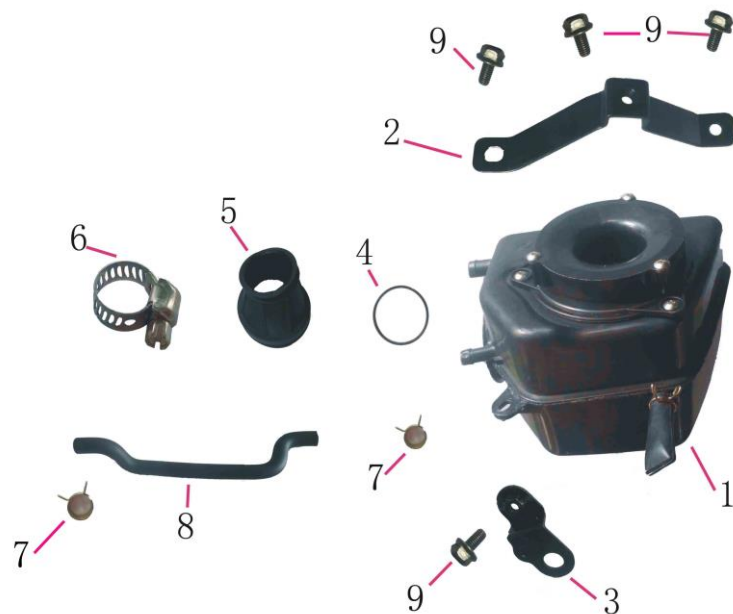
NO.	Part NO.	Description	QTY	Unit price	QTY of order	Remark
1	YY350-6E-2103131	Lever, Right Handle	1			
2	YY350-6E-2103132	Front Hydraulic CTKinder Comp	1			
3	YY350-6E-2103133	Caliper Comp, Front Brake	1			
4	YY350-6E-2103140	Brake Disc. Assy, Front Wheel	2			
5	YY350-6E-2103233	Rear Hydraulic Cylinder Comp	1			
6	YY350-6E-2103238	The rear brake lamp switch	1			
7	YY350-6E-2103232	Caliper Comp, Rear Brake	1			
8	YY350-6E-2103231	Universal head joint	1			
9	GB/T6170-M6	Hexagon nut, M6	1			
10	YY350-6E-2103241	Holder of Caliper Comp	1			
11	YY350-6E-2103240	Brake Disc. Assy, Rear Wheel	1			
12	GB/70-M8×35	Inner Hex Bolt, M8×35	1			
13	GB/T5789-M8×35	Flange Bolt, M8×35	4			
14	YY350-6E-21033133	Wire clip	4			
15	GB/TM6×12	Umbrella bolt	5			
16	GB/T5789-M8×22	Flange Bolt, M8×22	4			
17	YY350-6E-2103236	Hydraulic Hose, Rear Brake	15			
18	GB/70-M6×30	Inner Hex Bolt, M6×30	2			
19	YY350-6E-2106039	Rubber plug	1			
1A	YY350-6E-2103130	Front disc brake pump	1			
2A	YY350-6E-2103230	Disk brake pump after	1			



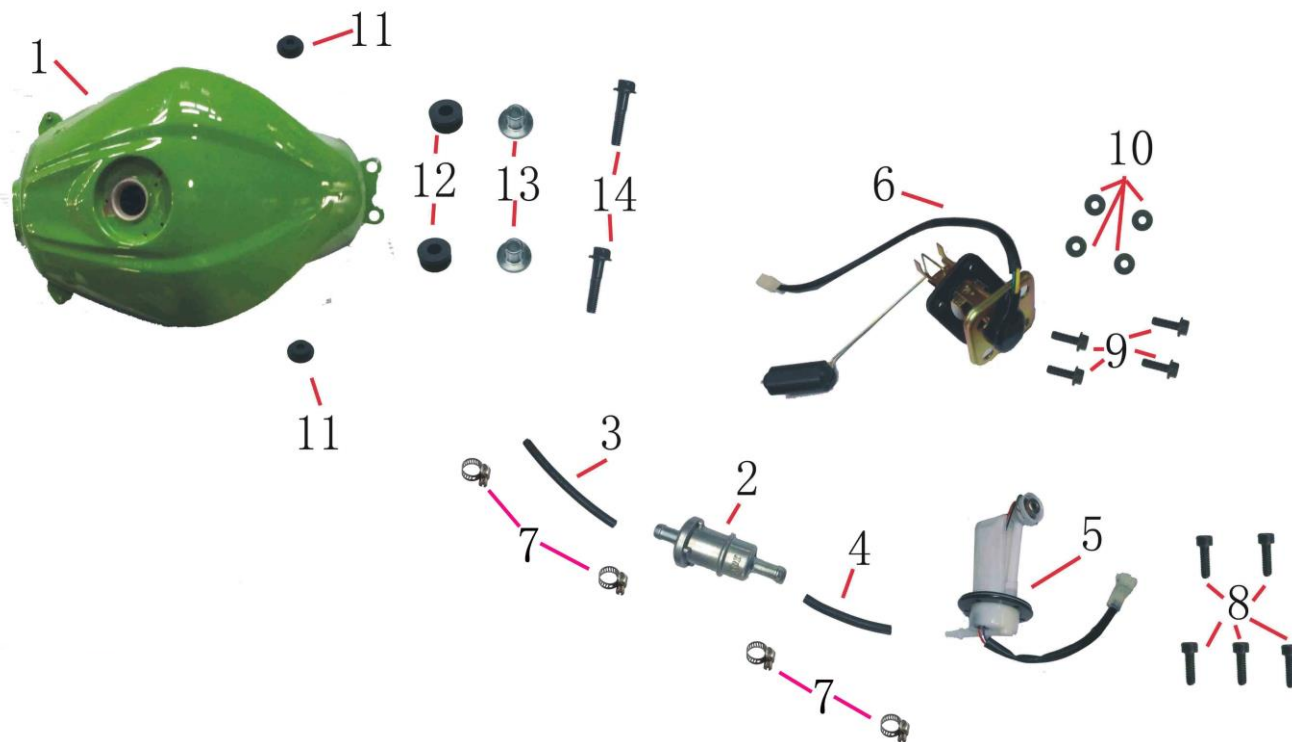
NO.	Part NO.	Description	QTY	Unit price	QTY of order	Remark
1	YY350-6E-2200113	Windshield	1			
2	YY350-6E-2200111	Instrument mask	1			
3	YY350-6E-2002001	Headlight Assy	1			
4	YY350-6E-2300040	Holder, headlight and meter	1			
5	YY350-6E-2106040	Rear View Mirror, L.	1			
6	YY350-6E-2106041	Rear View Mirror, R.	1			
7	YY350-6E-2300041	Former guard bracket	1			
8	YY350-6E-2300042	The headlight left fittings	1			
9	YY350-6E-2300043	The right headlight fittings	1			
10	YY350-6E-2101031	Tapping a card	4			
11	YY350-6E-2102009	Plastic parts fixed rubber ring	2			
12	GB/T5789-M6×12	Flange Bolt, M6×12	3			
13	GB/T845-S4.2×13	Self tapping screw, S4.2×13	6			
14	GB/T5789-M8×25	Flange Bolt, M8×25	1			
15	GB/T6187.1-M8	Flange Lock Nut, M8	1			
16	GB/T5789-M8×20	Flange Bolt, M8×20	2			
17	GB/70-M6×20	Inner Hex Bolt, M6×20	4			



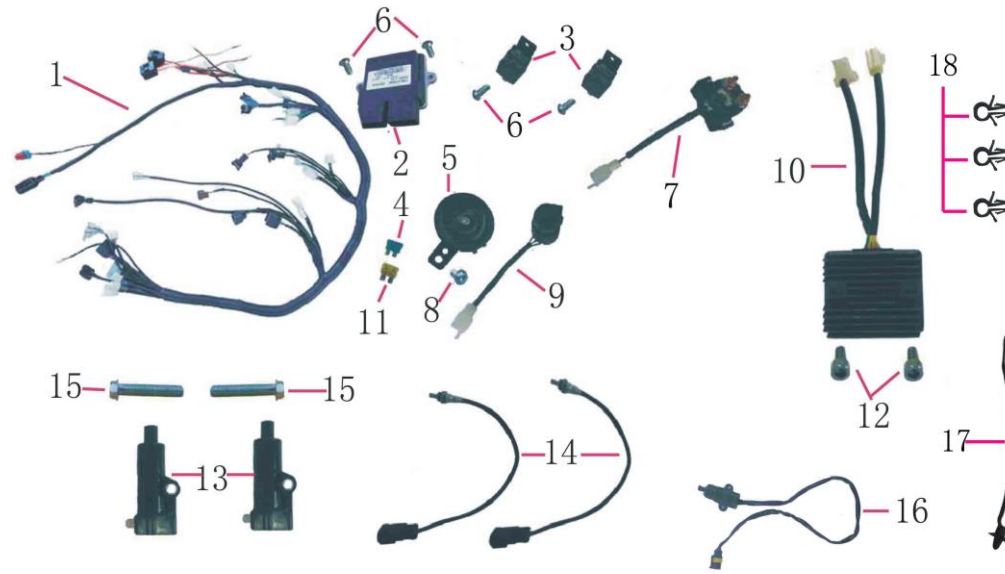
NO.	Part NO.	Description	QTY	Unit price	QTY of order	Remark
1	YY350-6E-2200114	speedometer decorative covers	1			
2	YY350-6E-2002200	speedometer	1			
3	GB/T845-ST4.8×13	Self tapping screw, ST4.8×13	3			
4	GB/T845-ST4.2×13	Self tapping screw, ST4.2×13	2			



NO.	Part NO.	Description	QTY	Unit price	QTY of order	Remark
1	YY350-6E-2200200	Empty filter	1			
2	YY350-6E-2200201	Under the air filter bracket	1			
3	YY350-6E-2200202	Air filter bracket	1			
4	YY350-6E-2200203	Empty filter spring	1			
5	YY350-6E-2101018	Empty filter guide duct	1			
6	YY350-6E-2106022	Clamp	1			
7	YY350-6E-2101047	Hoop, $\Phi 15$	2			
8	YY350-6E-2101046	Exhaust pipe	1			
9	GB/T5789-M6 \times 12	Flange Bolt, M6 \times 12	4			

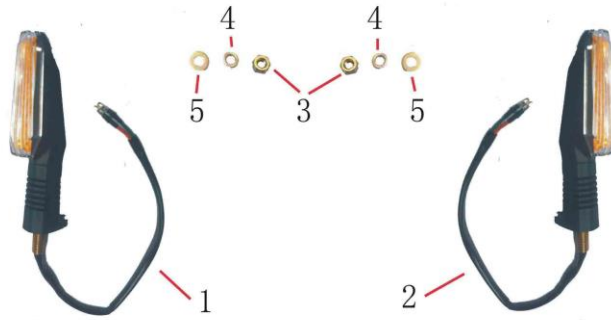


NO.	Part NO.	Description	QTY	Unit price	QTY of order	Remark
1	YY350-6E-2101050	Fuel tank	1			
2	YY350-6E-2101014	Fuel Filter	1			
3	YY350-6E-2101027	Fuel Tube	1			
4	YY350-6E-2101027	Fuel Tube	1			
5	YY350-6E-2001110	The oil pump	1			
6	YY350-6E-2002201	Fuel level sending unit	1			
7	YY350-6E-2106021	Hoop	4			
8	GB/70-M5×15	Inner Hex Bolt, M5×15	4			
9	GB/T5789-M5×16	Flange Bolt, M5×16	5			
10	GB/T95-φ6	Flat gasket	4			
11	YY350-6E-2102009	rubber ring A	2			
12	YY350-6E-2200090	rubber ring B	2			
13	YY350-6E-2101066	Inner bushing	2			
14	GB/T5789-M6×30	Flange Bolt, M6×30	2			

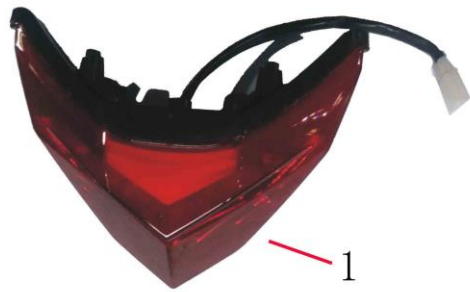


NO.	Part NO.	Description	QTY	Unit price	QTY of order	Remark
1	YY350-6E-2002100	Wire Harness	1			
2	YY350-6E-2001001	Engine Control Unit	1			
3	YY350-6E-2101004	Efi relay	2			
4	YY350-6E-2101035	Fuse Box, 15A	1			
5	YY350-6E-2101007	Horn	1			
6	GB/70-M6×16	Inner Hex Bolt, M6×16	4			
7	YY350-6E-2101003	Starting relay	1			
8	GB/70-M6×12	Inner Hex Bolt, M6×12	1			
9	YY350-6E-2101006	Winker Relay	1			
10	YY350-6E-2101005	Rectifier	1			
11	YY350-6E-2101036	Fuse Box, 20A	1			
12	GB/70-M6×25	Inner Hex Bolt, M6×25	2			
13	YY350-6E-2001003	Ignition Coil	2			
14	YY350-6E-2001002	Oxygen sensor	2			
15	GB/T5789-M6×40	Flange Bolt, M6×40	2			
16	YY350-6E-2109001	Flameout switch	1			

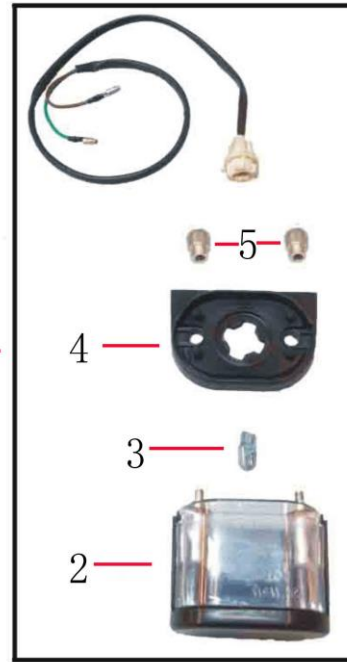
17	YY350-6E-2002004	The main cable clip	10			
18	YY350-6E-2002005	Deputy cable clip	3			



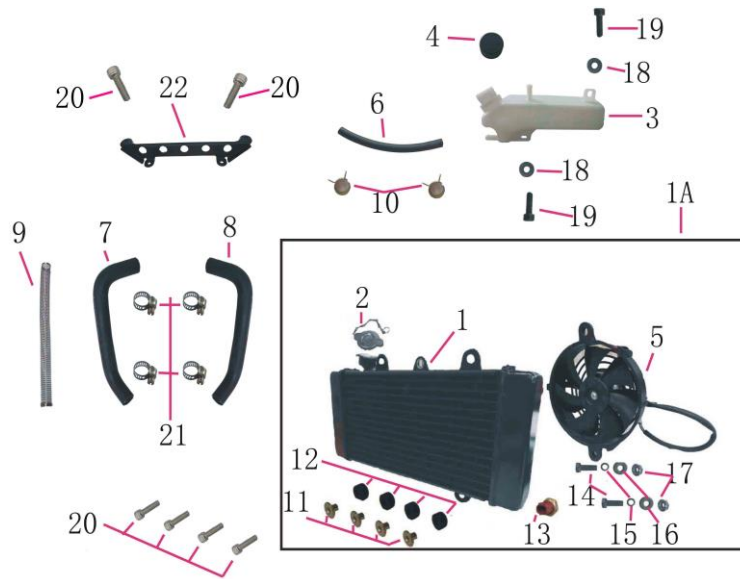
NO.	Part NO.	Description	QTY	Unit price	QTY of order	Remark
1	YY350-6E-2002011	Right Cable	2			
2	YY350-6E-2002012	Left Cable	2			
3	GB/T6170-M10	Hexagon nut, M10	4			
4	GB93-Φ10	Gasket, Φ10	4			
5	GB/T95-Φ10	Flat gasket	4			
6	YY350-6E-2002021	Before the left turn signal	1			
7	YY350-6E-2002022	Right turn signal before	1			
8	GB/T845-S4.2×13	Self tapping screw, S4.2×13	6			



1A —



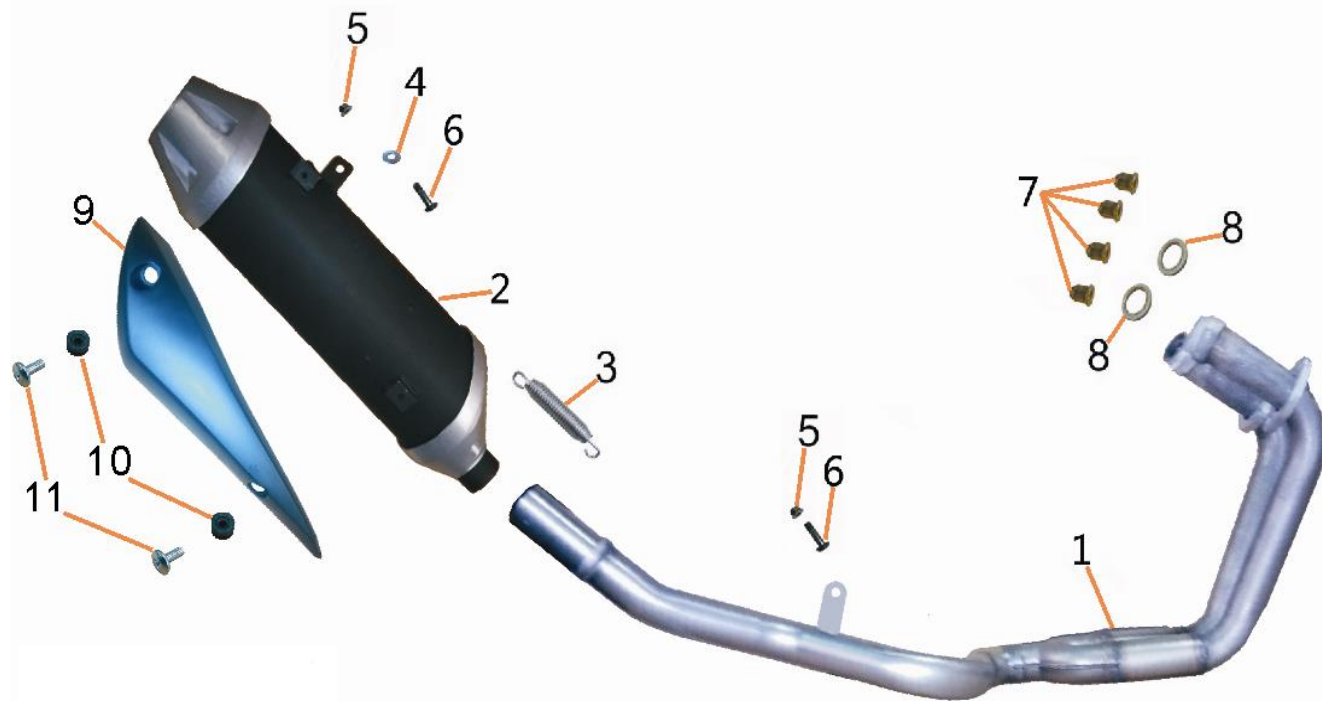
NO.	Part NO.	Description	QTY	Unit price	QTY of order	Remark
1A	YY350-6E-2002030	license plate lamp	1			
1	YY350-6E-2002040	Tail lamp	1			
2	YY350-6E-2002034	Lens, Rear Registration Plate Light	1			
3	YY350-6E-2002032	Bulb, Rear Registration Plate Light	1			
4	YY350-6E-2002031	Licence lamp back cover	1			
5	YY350-6E-2002043	Spacer bush	1			



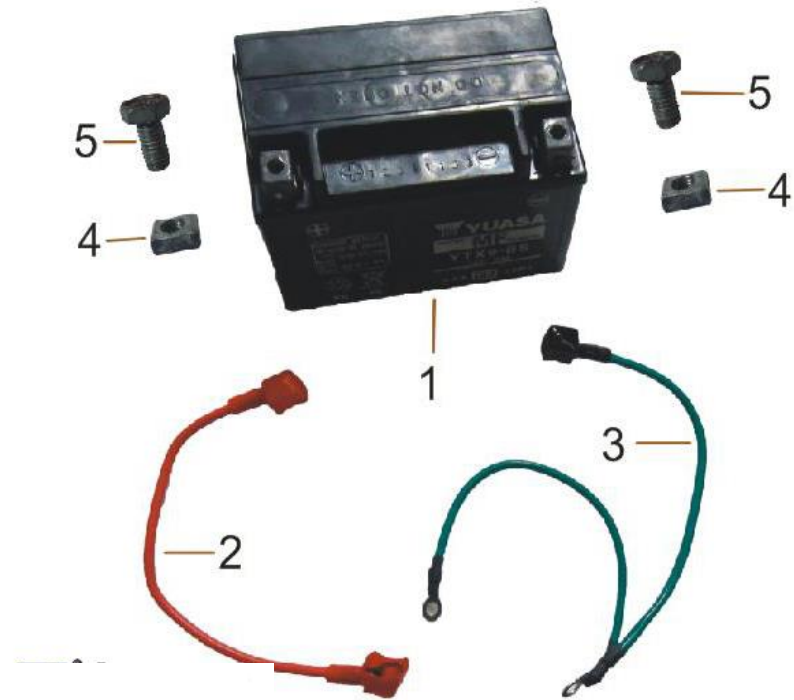
NO.	Part NO.	Description	QTY	Unit price	QTY of order	Remark
1	YY350-6E-2101048	Water bottle	1			
2	YY350-6E-2101028	Radiator cap	1			
3	YY350-6E-2101019	Auxiliary water tank	1			
4	YY350-6E-2101040	Auxiliary water tank, cap	1			
5	YY350-6E-2101029	Air fan	1			松下
6	YY350-6E-2101030	Side radiator hose	1			
7	YY350-6E-2101022	Radiator lower Hose	1			
8	YY350-6E-2101021	Radiator upper Hose	1			
9	YY350-6E-2101037	Adornment spring	1			
10	YY350-6E-2101032	Hoop, Φ10	2			
11	YY350-6E-2101059	Spacer bush	4			
12	YY350-6E-2101060	Rubber blanket	4			
13	YY350-6E-2101061	Thermoswitch	1			
14	GB29-M6	Hexagon bolt	2			
15	GB93-Φ6	Spring washer	2			
16	GB/T95-Φ6	Flat gasket	2			
17	GB/T6187.1-M6	Flange Lock Nut, M6	2			
18	GB/T95-Φ6	Flat gasket	2			
19	GB/70-M6×12	Inner Hex Bolt, M6×12	2			
20	GB/70-M6×20	Inner Hex Bolt, M6×20	6			
21	YY350-6E-2101070	Hoop	4			
22	YY350-6E-2001101	Former guard plate connection	1			
1A	YY350-6E-2101009	Water bottle, assembly	1			



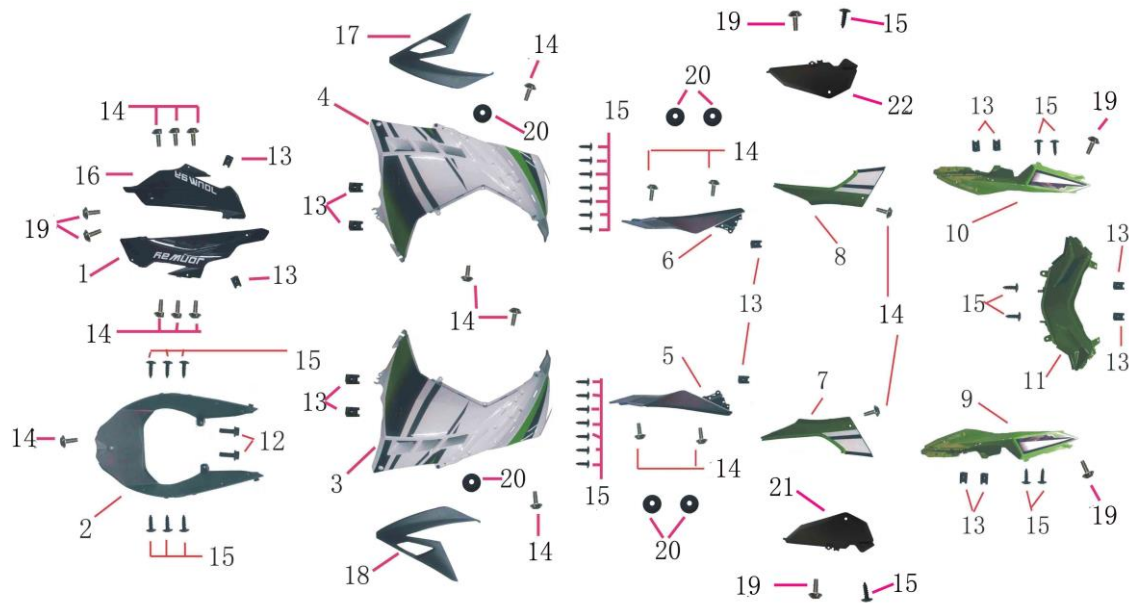
NO.	Part NO.	Description	QTY	Unit price	QTY of order	Remark
1	YY350-6E-2101001	Carbon tube	1			
2	YY350-6E-2101041	Carbon tube, Rubber sleeve	2			
3	YY350-6E-2101044	Rubber tube	1			
4	YY350-6E-2101045	Rubber tube	1			
5	YY350-6E-2101032	Hoop, $\Phi 10$	2			



NO.	Part NO.	Description	QTY	Unit price	QTY of order	Remark
1	YY350-6A-2104100B	Front Tube, Exhaust Muffler	1			
2	YY350-6A-2104101B	Pipe, Exhaust Muffler	1			
3	YY350-6A-2104102	Spring, Exhaust Muffler	1			
4	GB/T95-φ8	Plain Washer, φ8	1			
5	GB6170-M8	Flange Lock Nut, M15	2			
6	GB/70-M8×35	Inner Hex Bolt, M8×35	1			
7	GB 923-M8	Cap Nut, M8	4			
8	YY250-2104103	Washer, Exhaust Outlet	2			



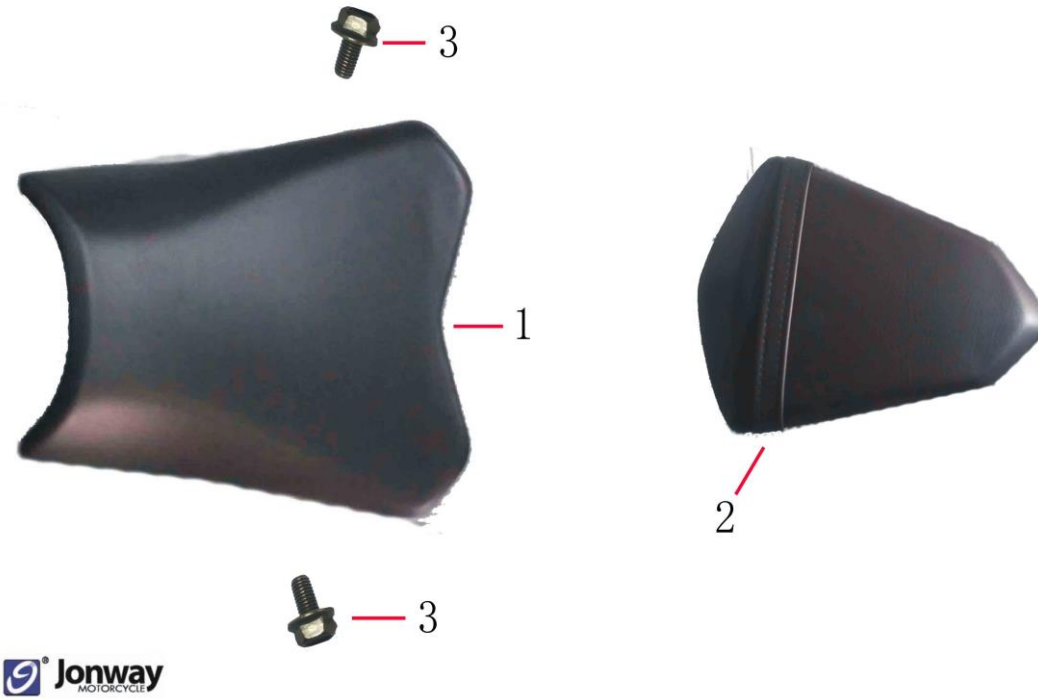
NO.	Part NO.	Description	QTY	Unit price	QTY of order	Remark
1	YY350-6E-2106005	Battery 12V9Ah	1			
2	YY350-6E-2106033	Cable, Positive Pole	1			
3	YY350-6E-2106034	Cable, Grounding	2			
4	GB39-M6	Block	2			
5	GB29.2-M6	Bolt, M6×10	2			



NO.	Part NO.	Description	QTY	Unit price	QTY of order	Remark
1	YY350-6E-2200164	The bottom right	1			
2	YY350-6E-2200112	Before the board	1			
3	YY350-6E-2200130	The left upper plate	1			
4	YY350-6E-2200131	Right front upper plate	1			
5	YY350-6E-2200120	The left fuel tank cover	1			
6	YY350-6E-2200121	The right fuel tank cover	1			
7	YY350-6E-2200160	In the left side of the plate	1			
8	YY350-6E-2200161	In the right side of the plate	1			
9	YY350-6E-2200162	The left rear plate	1			
10	YY350-6E-2200163	Right back plate	1			
11	YY350-6E-2200091	The tail board	1			
12	GB/T5789-M6×16	Flange Bolt, M6×16	2			
13	YY350-6E-2101031	Tapping a card	14			
14	GB/70.2-M6×16	Inner Hex Bolt, M6×16	17			
15	GB/T845-S4.8×16	Self tapping screw, S4.8×16	26			
16	YY350-6E-2200165	The bottom left	1			
17	YY350-6E-2200132	Right side before decorating plate	1			
18	YY350-6E-2200133	The left side before decorating plate	1			

19	GB/T70. 2-M6×12	Flange Bolt, M6×12	6			
20	YY350-6E-2102009	rubber ring	6			
21	YY350-6E-2200158	Left in the decorative	1			
22	YY350-6E-2200159	Right in the decorative	1			





NO.	Part NO.	Description	QTY	Unit price	QTY of order	Remark
1	YY350-6E-2101010	Seat Assy	1			
2	YY350-6E-2101020	Seat Assy	1			
3	GB/T5789-M6×20	Flange Bolt, M6×20	2			