

# VENOM X21 50CC

## PARTS CATALOG



### INTRODUCTION

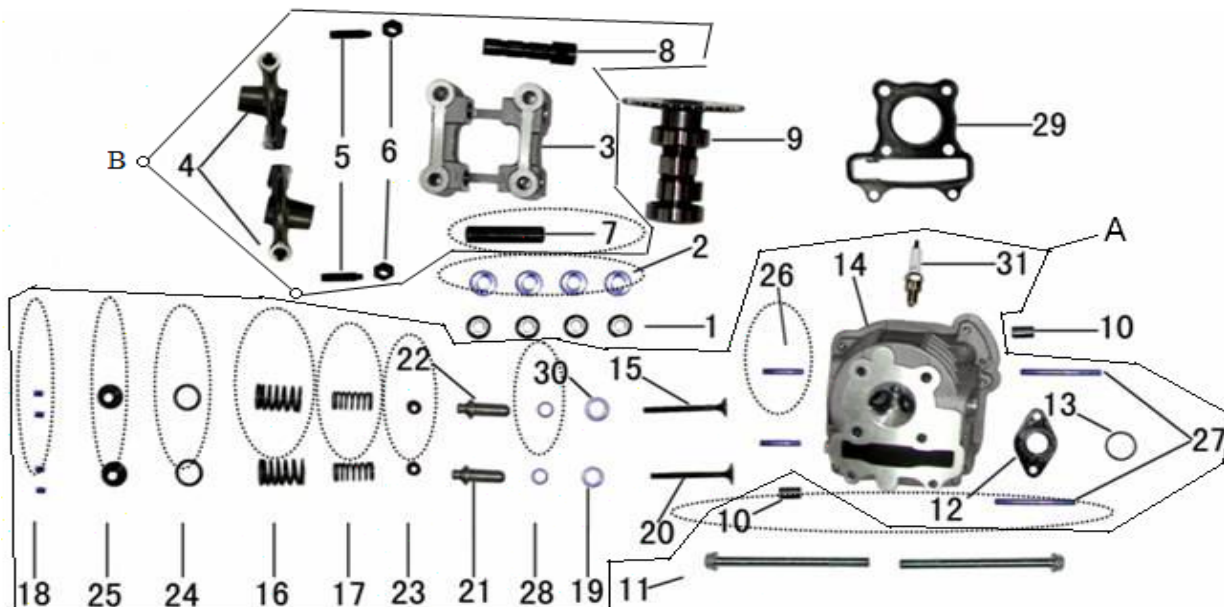
When placing orders for parts, use this booklet as a reference. Refer to the illustrations for the name, item code, or fitment details by examining the size and appearance. Locate the corresponding number in the illustration to identify the name, item code, and quantity. Please note that changes to the information in this booklet may occur without prior notice.







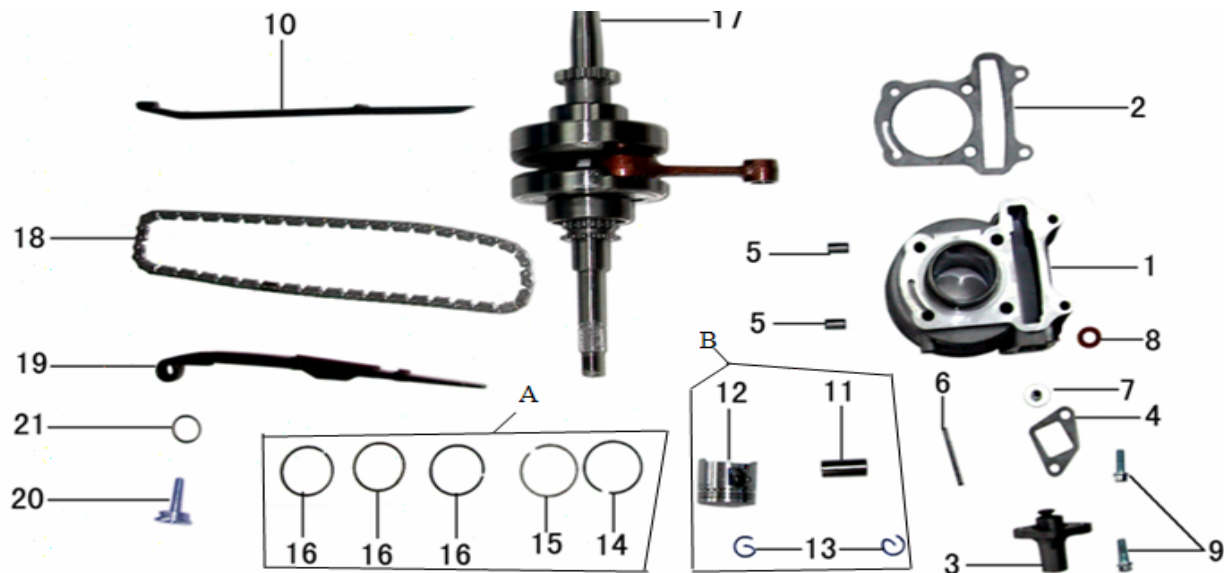
气缸头总成— Cylinder head assembly 1



序 NO.	件号 Code name	中文名称 Chinese	英文名称 Description	数量 Q'ty	¥
1	139220001	六角法兰面螺母M7	Hexagon nut M7	4	
2	139220002	平垫片Φ7×14	Washer Φ7×14	4	
3	139220003	气门摇臂座	Retainer, valve rocker	1	
4	139220004	气门摇臂	Arm, Valve rocker	2	
5	139220005	气门调整螺钉	Screw, lappet adjusting	2	
6	139220006	锁紧螺母M5	Lock nut	2	
7	139220007	进气门摇臂轴	In valve rocker axis	1	
8	139220008	排气门摇臂轴	Out valve rocker axis	1	
9	139220009	凸轮轴	Camshaft	1	
10	139220010	定位销Φ8×14	pinΦ8×14	2	
11	139220011	六角法兰面螺柱M6×85	Hexagon screw M6×85	2	
12	139220012	隔热板	Heat insulation plate	1	
13	139220013	隔热板垫	Mat of heat insulation	1	
14	139230001	气缸头	Cylinder head	1	
15	139220015	排气门	Exit valve	1	
16	139220016	气门大弹簧	Valve spring big	2	
17	139220017	气门小弹簧	Valve spring small	2	
18	139220018	气门锁夹	Cotter, valve	4	
19	139220019	排气门弹簧保持器	Spring holding	1	
20	139220020	进气门	In valve	1	
21	139220021	进气门导管	In valve leader	1	
22	139220022	排气门导管	Out valve leader	1	
A	139230001	气缸头总成(二次补气)	Cylinder head assembly	1	
B	139000001	凸轮轴座总成	Camshaft seat assembly	1	



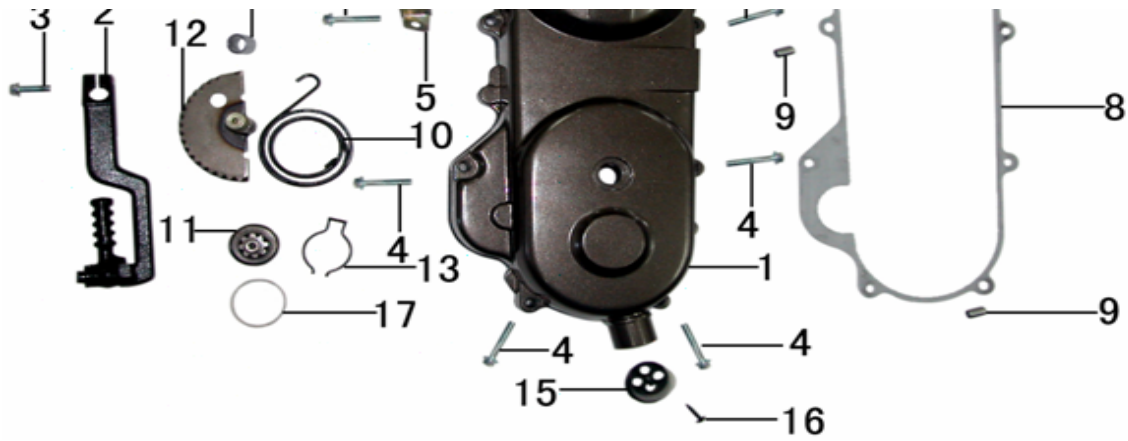




序 NO.	件号 Code name	中文名称 Chinese	英文名称 Description	数量 Q'ty	¥
1	139230001	气缸体	Cylinder	1	
2	139230002	气缸(纸)垫片	Gasket, cylinder	1	
3	139230003	链条调整器	Chain adjuster	1	
4	139230004	链条调整器垫片	Chain adjuster washer	1	
5	139220010	定位销Φ8×14	Pin Φ8×14	2	
6	139230005	调整器弹簧	Adjuster spring	1	
7	139230006	调整器弹簧固定螺母	Nut of adjuster spring	1	
8	139230007	固定螺母垫圈	Washer of nut	1	
9	139230008	六角法兰面螺栓M6×1.8	Hexagon M6×1.8	2	
10	139230009	导件	Guider	1	
11	139230010	活塞销	Stopcock pin	1	
12	139230011	活塞	Stopcock	1	
13	139230012	卡簧	Clip	2	
14					
15					
16					
17	139230016	曲轴连杆组合	Crankshaft comp.	1	
18	139230017	正时链条	Cam chain	1	
19	139230018	张紧杆	Cam chain tensioner	1	
20	139230019	张紧杆固定螺栓	Cam chain tensioner bolt	1	
21	139230020	O形环Φ15.2×1.5	O-ringΦ15.2×1.5	1	
A	139000008	活塞环组合	Piston ring combination	1	
B	139000007	50CC活塞总成(带销、挡圈)	50CC Piston assembly	1	

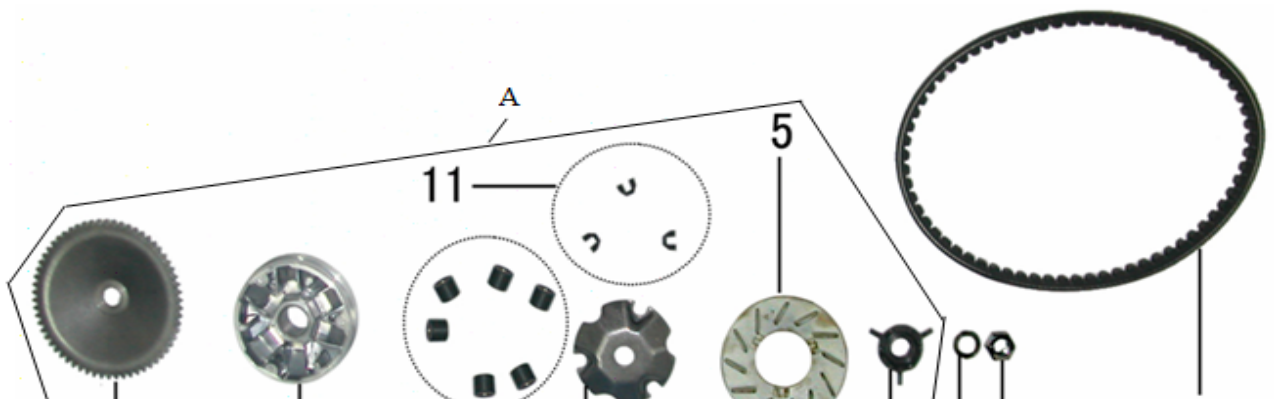
左边盖总成 Left cover assembly





序 NO.	件号 Code name	中文名称 Chinese	英文名称 Description	数量 Q'ty	¥
1	139240001-1	左边盖 (加长)	Left cover	1	
2	139240002	脚起动踏杆组	Kick start lever assy	1	
3	139010004	六角法兰面螺栓M6×20	Hexagon bolt M6×20	1	
4	139240003	六角法兰面螺栓M6×35	Hexagon bolt M6×35	8	
5	139240004	线扣	Clip	1	
6	139240005	起动轴垫圈	Starting axis washer	1	
7	139240006	外卡簧	Clip	1	
8	139240007-1	左边盖垫片 (加长)	Washer of left cover	1	
8	139240007	左边盖垫片	Washer of left cover	1	
9	139220010	定位销Φ8×14	Pin, dowelΦ8×14	2	
10	139240008	起动扭簧	Starter spring	1	
11	139240009	起动惰轮组	Ldle gear	1	
12	139240010	起动齿轮	Starting gear	1	
13	139240011	磨擦弹簧	Attrition spring	1	
14	139240012	扇形齿轮衬套	Sector gear bushing	1	
15	139240013	通风管	Vent pipe	1	
16	139240014	自攻螺钉ST3.8×16	Self-tapping screw ST3.8×16	1	
17	139240015	塑料垫圈Φ35	Plastic washerΦ35	1	

### 驱动轮 Driving Wheel



































油箱、减震 Fuel Tank, Shock



序 NO	件号 Code name	中文名称 Chinese	英文名称 Description	数量 Q'ty	¥
1	01990040	二次补气装置	Secondary Air injection Device	1	
2	02010351	二次补气阀固定片	Air Injection Fixture	1	
3	07010122	前减震器左	Front Shock left	1	
	07010123	前减震器右	Front Shock Right	1	
4	12050018	轴用卡簧15	Circlip 15	1	
5	02050045	搁脚左	Footrest left	1	
6	02050046	搁脚右	Footrest right	1	
7	05030060	油箱	Fuel Tank	1	
8	03030769	后泥板	Rear fender	1	
9	07010125	后减震	Rear Shock	1	
10	02011343	单撑	Side Stand	1	
11	07020061	弹簧	Spring	1	
12	15010046	前轮轴 (带衬套、螺母)		1	









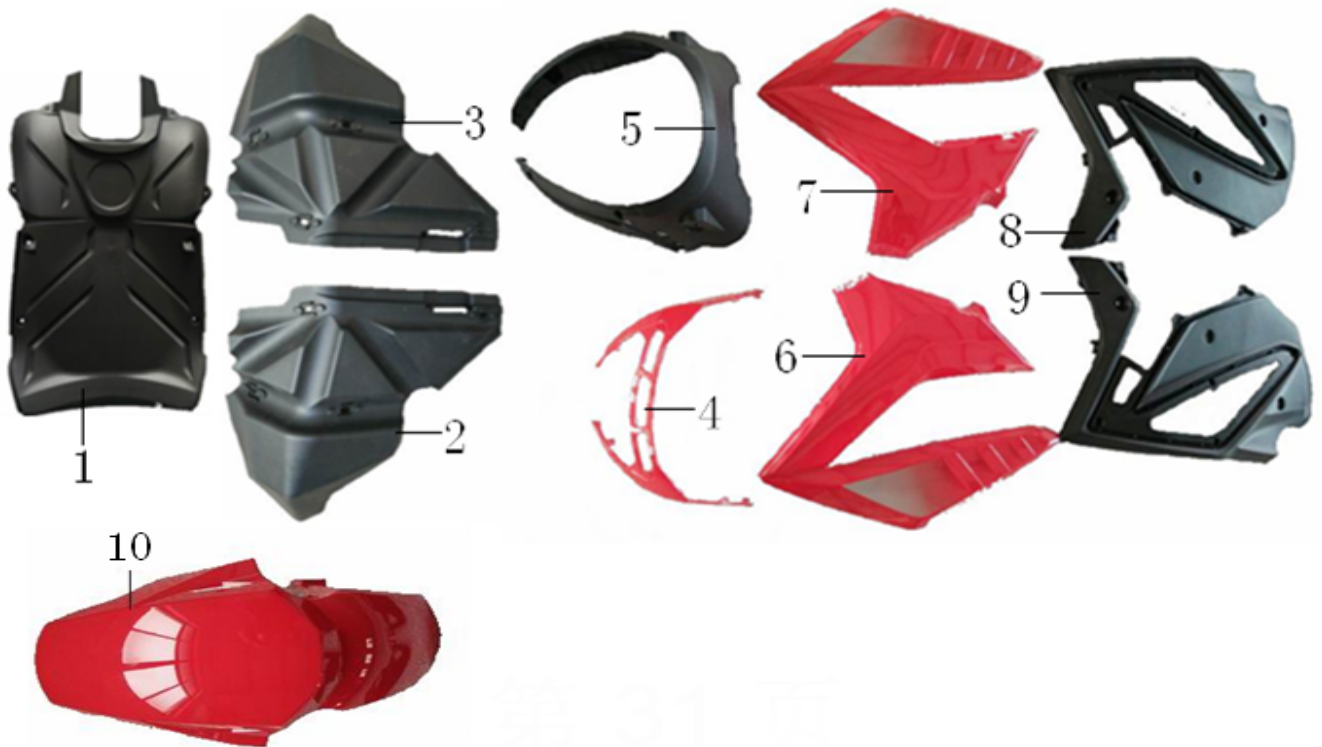






2	03030865	油箱护板前连接条	Gastank cover Front connection
3	03040075	油箱护板通风格左	Left net
4	03010603	油箱护板右	Gastank Cover Right
5	03030864	油箱盖外罩	Gastank Cap Cover
6	03010602	油箱护板左	Gastank Cover Right
7	03010606	油箱护板连接条	Gastank Cover Connection
8	03010608	侧盖右	Right side Cover
9	03030761	电池盒	Battery case
10	03010607	侧盖左	Left side Cover
11	03040078	侧盖通风格右	Right cover Net
12	03010611	尾罩右	Tail cover right
13	03030866	坐垫后装饰块	Seat decorative plate
14	03010609	坐垫后装饰罩	Seat Cover
15	03010610	尾罩左	Tail cover Left
16	03040077	侧盖通风左	Left cover Net
17	03010508	尾盖	Taillight Cover

**覆盖件2 Body Covering 2**



序 NO	件号 Code name	中文名称 Chinese	英文名称 Description	数量 Q'ty	¥
1	03030867	电池盒前罩	Battery case Front cover	1	
2	03030862	油箱护板下罩左	Gastank bottom cover left	1	
3	03030863	油箱护板下罩右	Gastank bottom cover Right	1	
4	03010605	大灯玻璃装饰条	Headlight Slip	1	
5	03030861	大灯装饰罩	Headlight fairing	1	
6	03010613	电池盒护罩上装饰盖左	Battery case Fairing left	1	
7	03010614	电池盒护罩上装饰盖右	Battery case fairing Right	1	









