

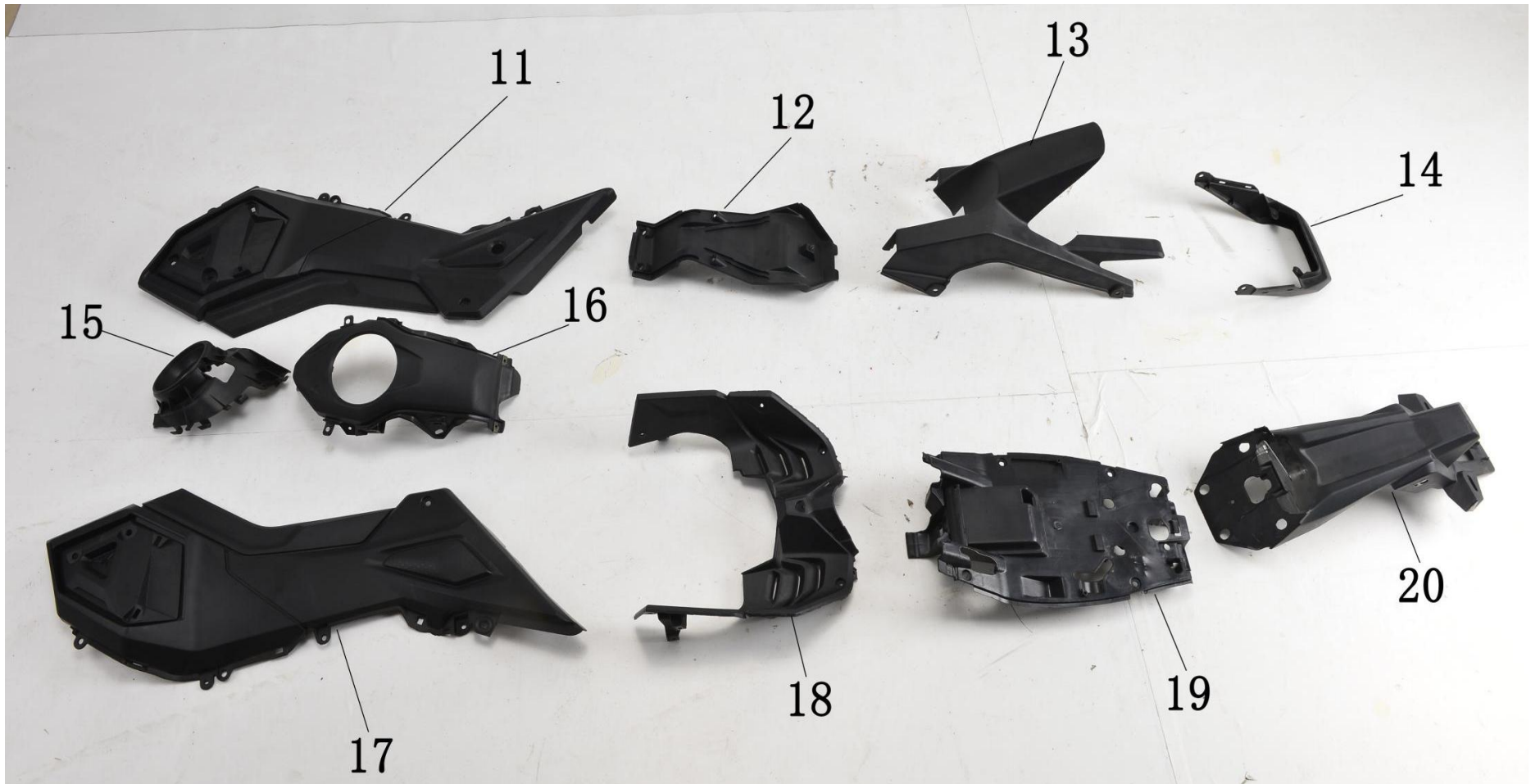
**VENOM X20 125CC MOTORCYCLE 4-SPEED
(VIN STARTS WITH L2B)**



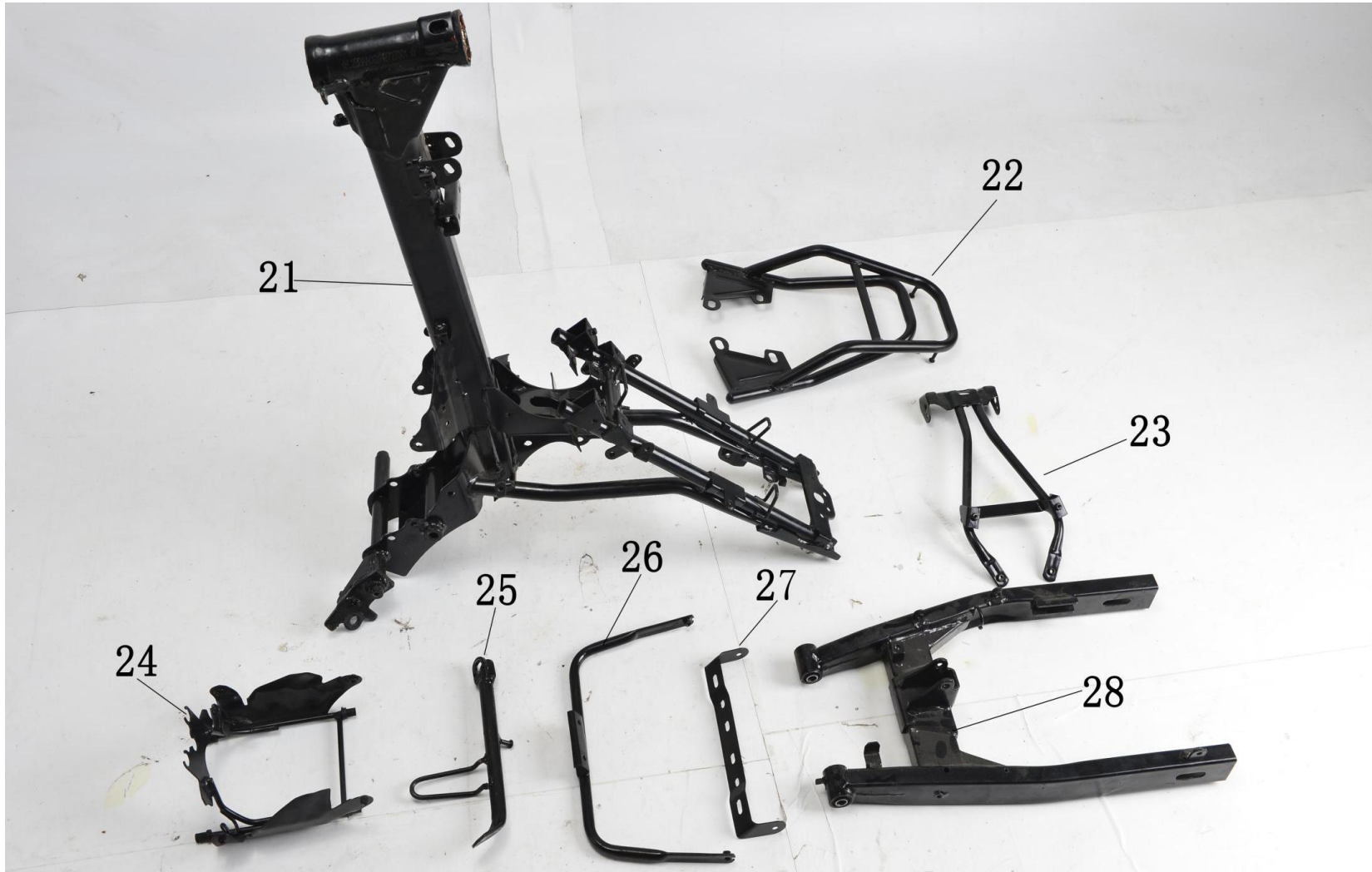
PARTS CATALOG



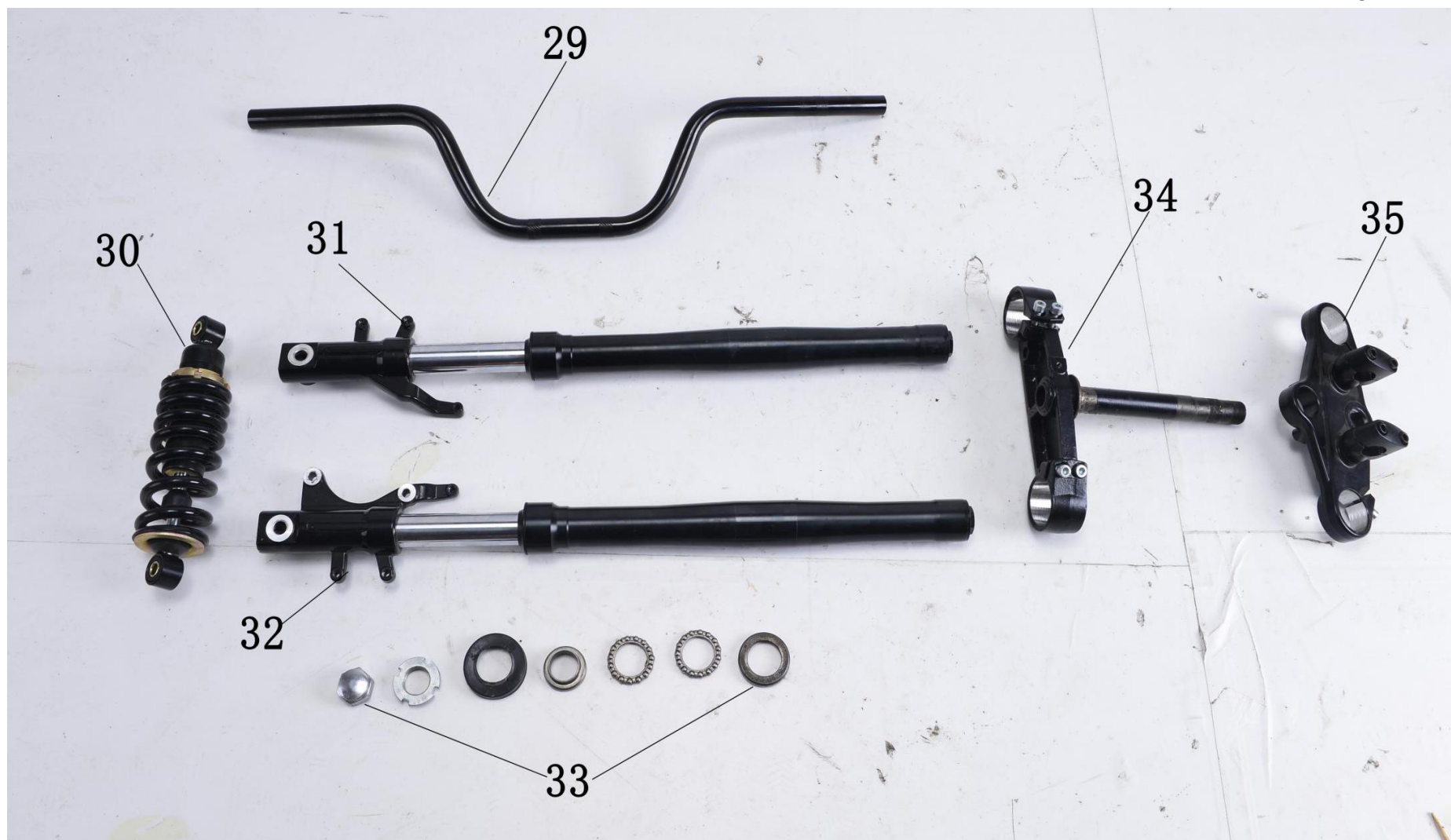
Ref. No	Part No.		Description		
1	125010001				
2	125010002				
3	125010003				
4	125010004				
5	125010005				
6	125010006				
7	125010007				
8	125010008				
9	125010009				
10	125010010				



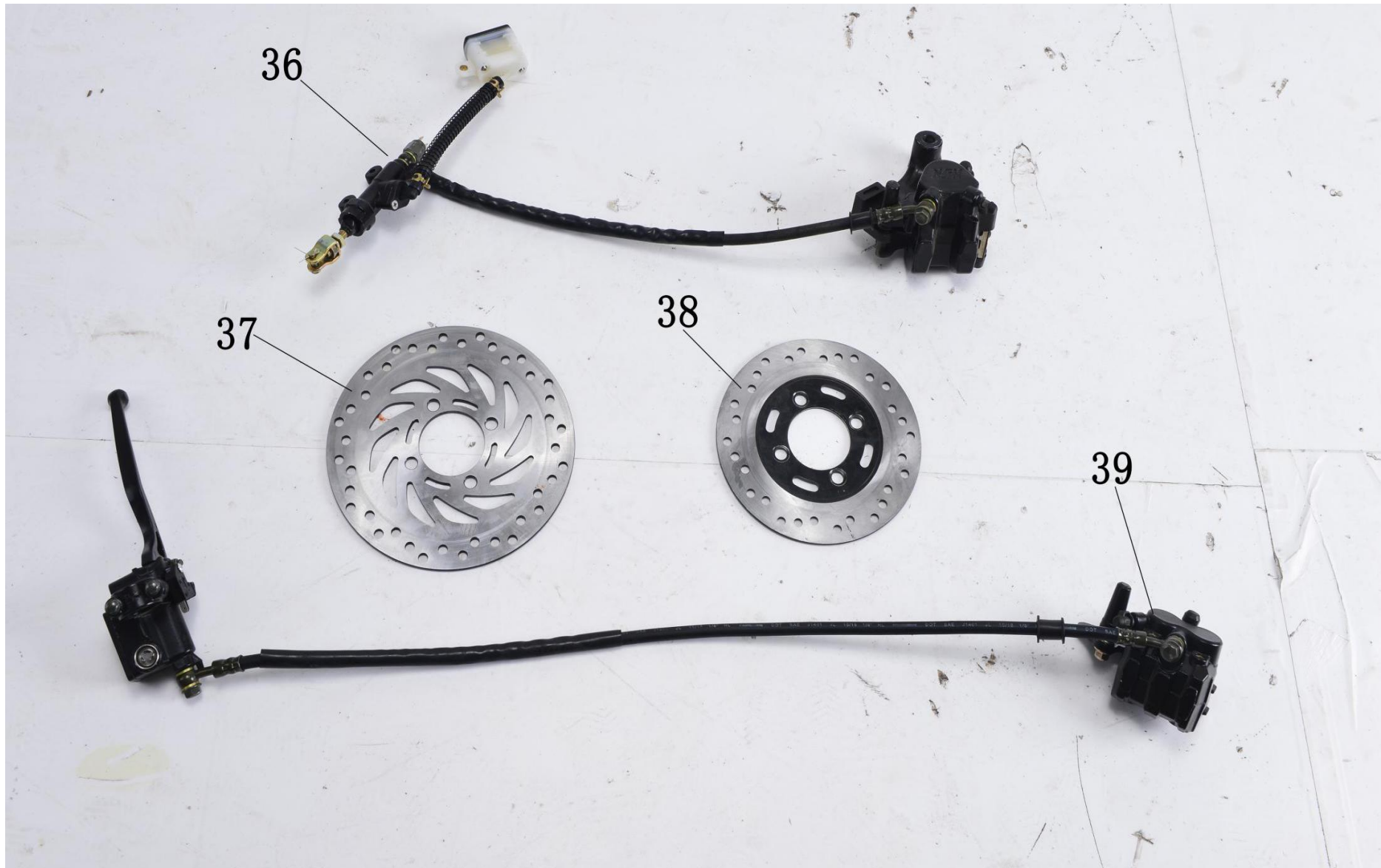
Ref. No	Part No.		Description		
11	125010011				
12	125010012				
13	125010013				
14	125010014				
15	125010015				
16	125010016				
17	125010017				
18	125010018				
19	125010019				
20	125010020				



Ref. No	Part No.		Description		
21	125010021				
22	125010022				
23	125010023				
24	125010024				
25	125010025			210	
26	125010026				
27	125010027				
28	125010028				



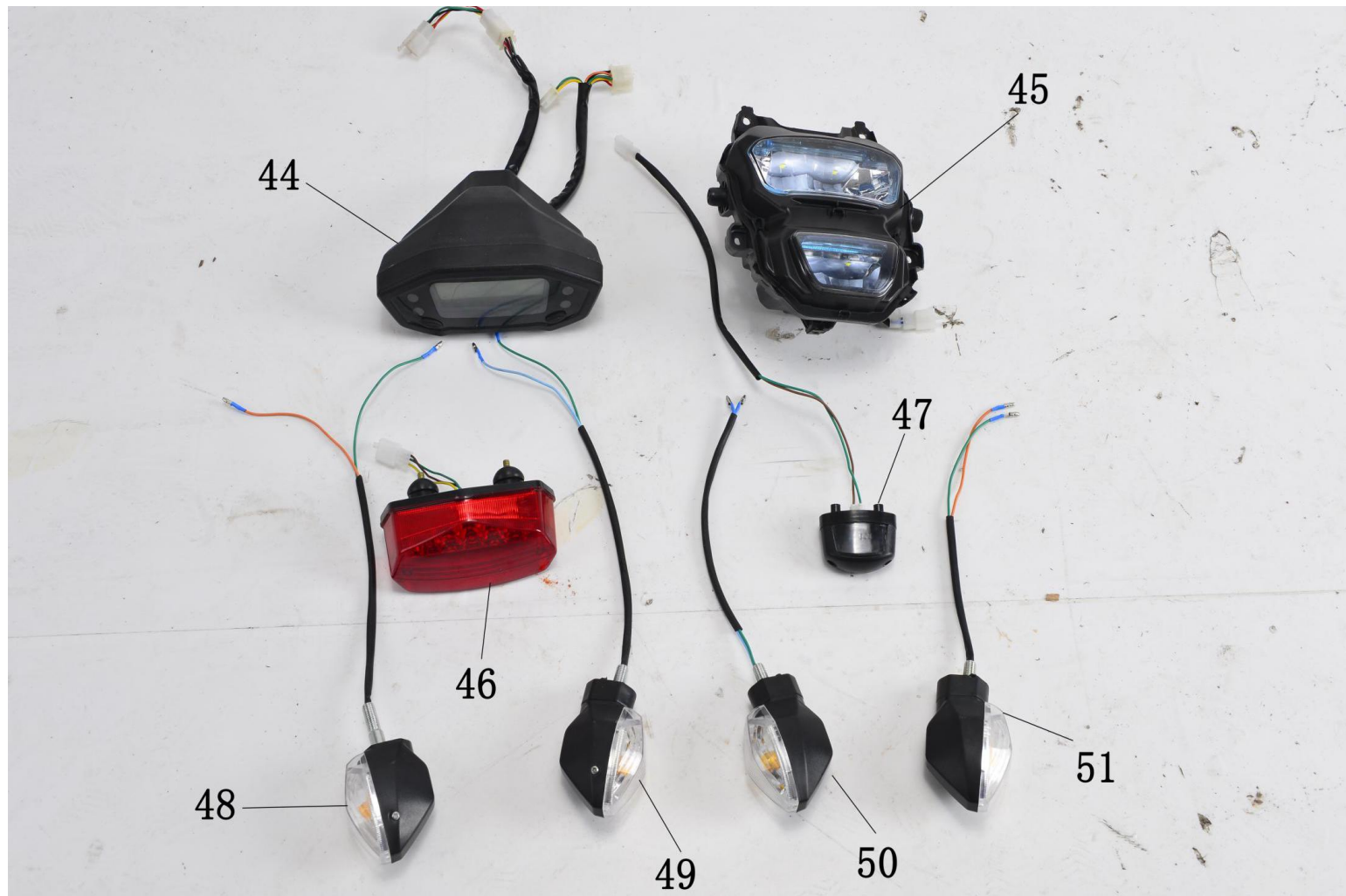
Ref. No	Part No.	Description		
29	125010029			
30	125010030		上:Ø10 下:Ø10, 中心距240	
31	125010031		长675 孔 Ø12	
32	125010032		长675 孔 Ø12	
33	125010033			
34	125010034			
35	125010035			



Ref. No	Part No.		Description		
36	125010036			500	
37	125010037			Ø220	
38	125010038			Ø190	
39	125010039			800	



Ref. No	Part No.		Description		
40	125010040			3.5×12	
41	125010041			2.75×12	
42	125010042			130/70-12	
43	125010043			120/70-12	



Ref. No	Part No.	Description	
44	125010044		
45	125010045		LED 12V9W/9W
46	125010046		LED 12V5W/2W
47	125010047		LED 12V2W
48	125010048		LED 12V2W
49	125010049		LED 12V2W
50	125010050		LED 12V2W
51	125010051		LED 12V2W

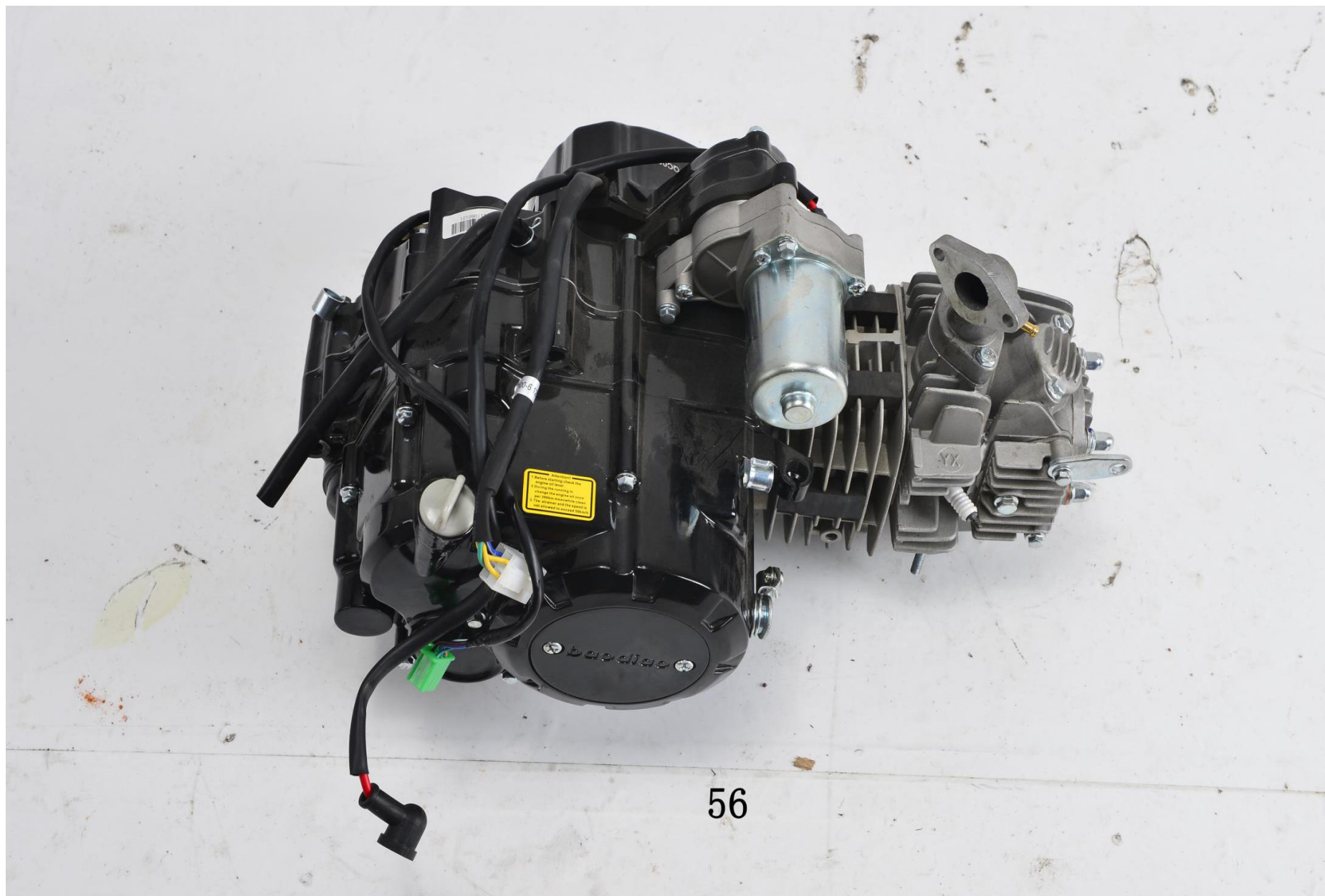


52

Ref. No	Part No.	Description		
52	125000914		12V 7Ah	



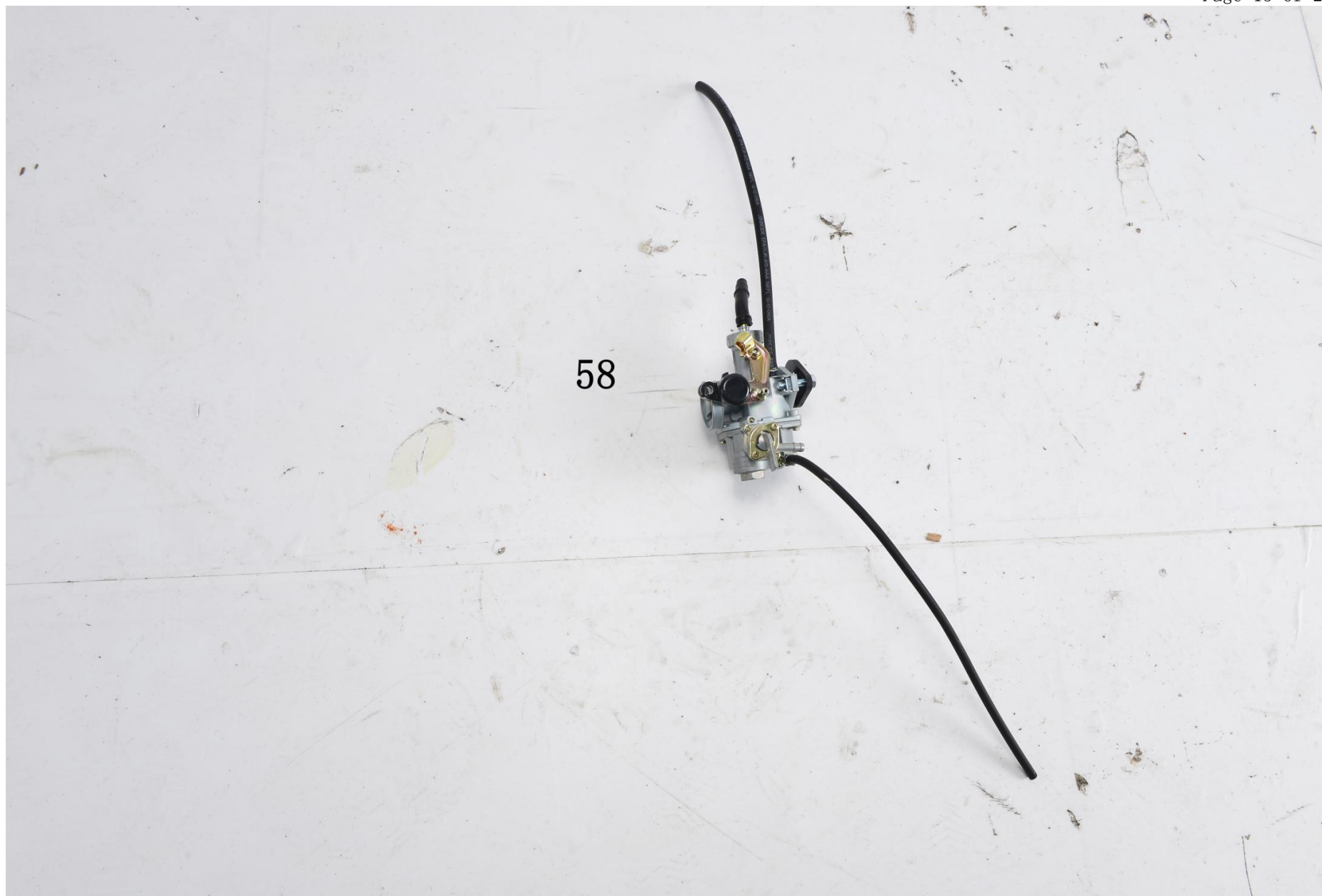
Ref. No	Part No.		Description		
53	125000916				
54	125010054				
55	125000915				



Ref. No	Part No.		Description		
56	125000901			1P54FMI	



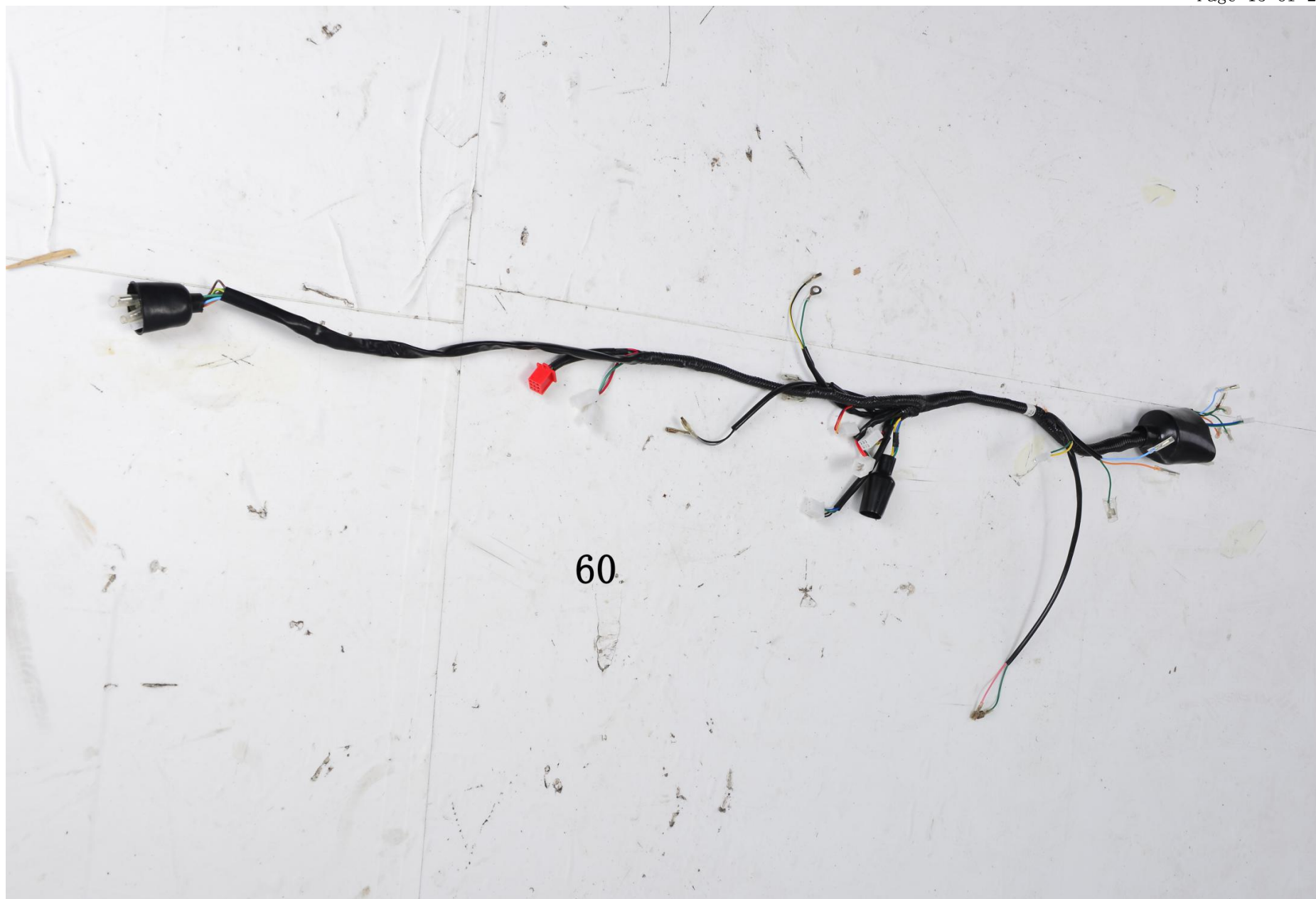
Ref. No	Part No.		Description		
57	125010057				



Ref. No	Part No.		Description		
58	125000902			PZ20	



Ref. No	Part No.		Description		
59	125010059				



60

Ref. No	Part No.		Description		
60	125010060				



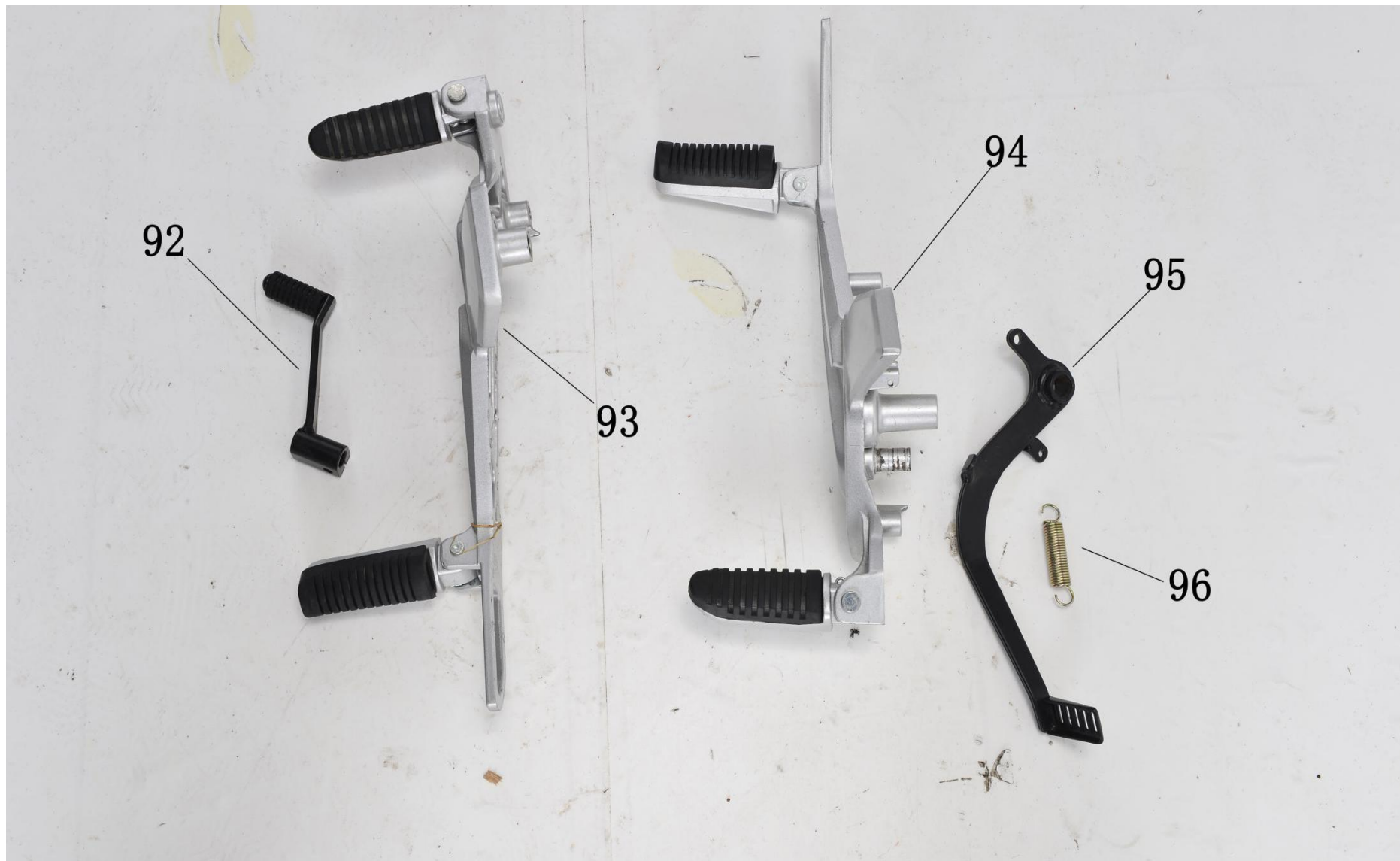
Ref. No	Part No.		Description		
61	125010061				
62	125010062				
63	125010063				
64	125010064				
65	125010065				



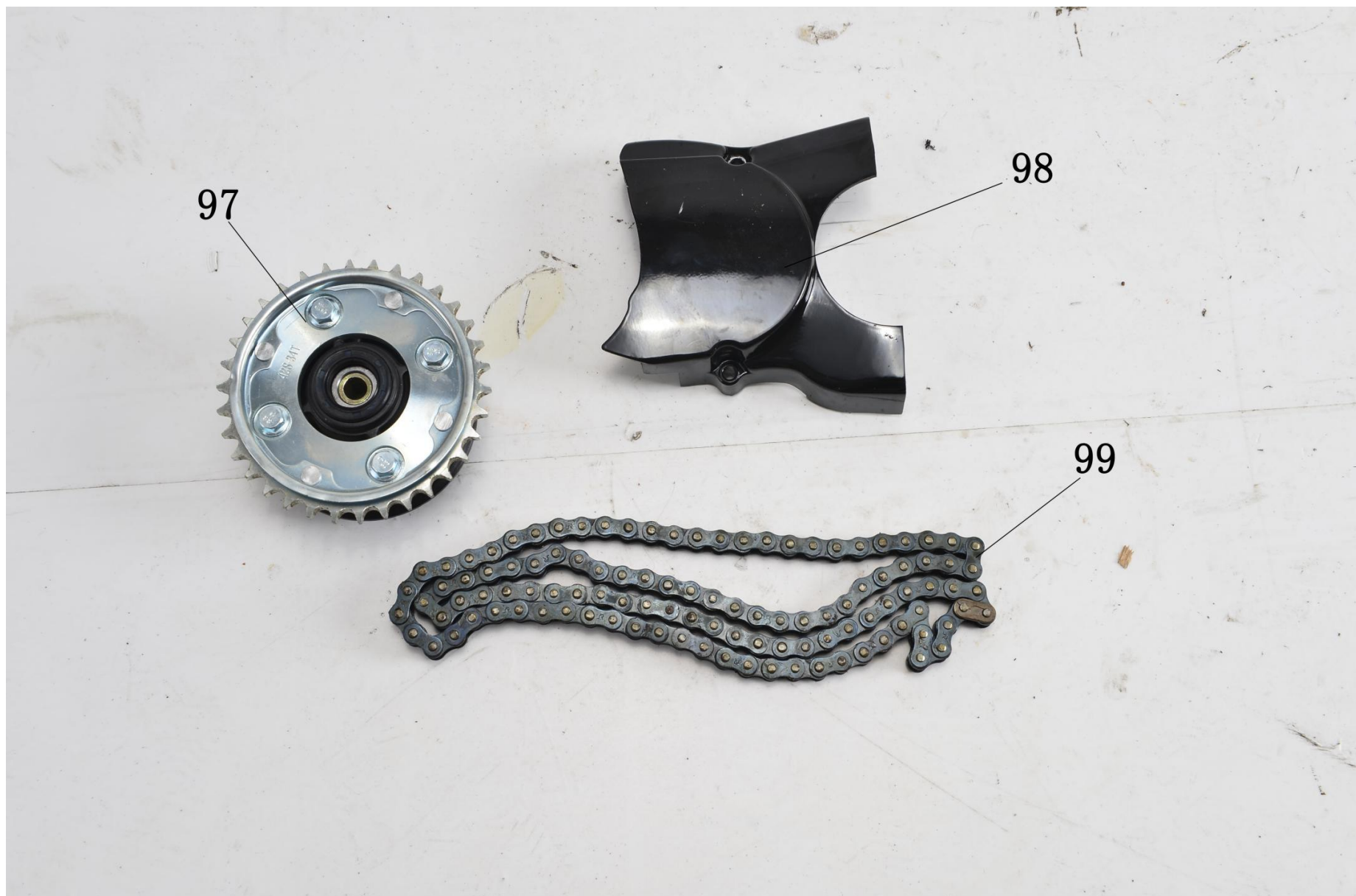
Ref. No	Part No.	Description		
66	125010066		∅12×300	
67	125010067		M12	
68	125010068		∅12×300	
69	125010069		∅12×25×25×∅25	
70	125010070		M12	
71	125010071		∅12×250	
72	125010072		∅12×28×∅25	
73	125010073		M12	
74	125010074			
75	125010075			
76	125010076			
77	125010077			
78	125010078			
79	125010079			
80	125010080			



Ref. No	Part No.	Description		
81	125000920			
82	125010082			
83	125000908			
84	125000911			
85	125000912			
86	125000910			
87	125000909			
88	125010088			
89	125010089			
90	125010090			M10
91	125010091			M10



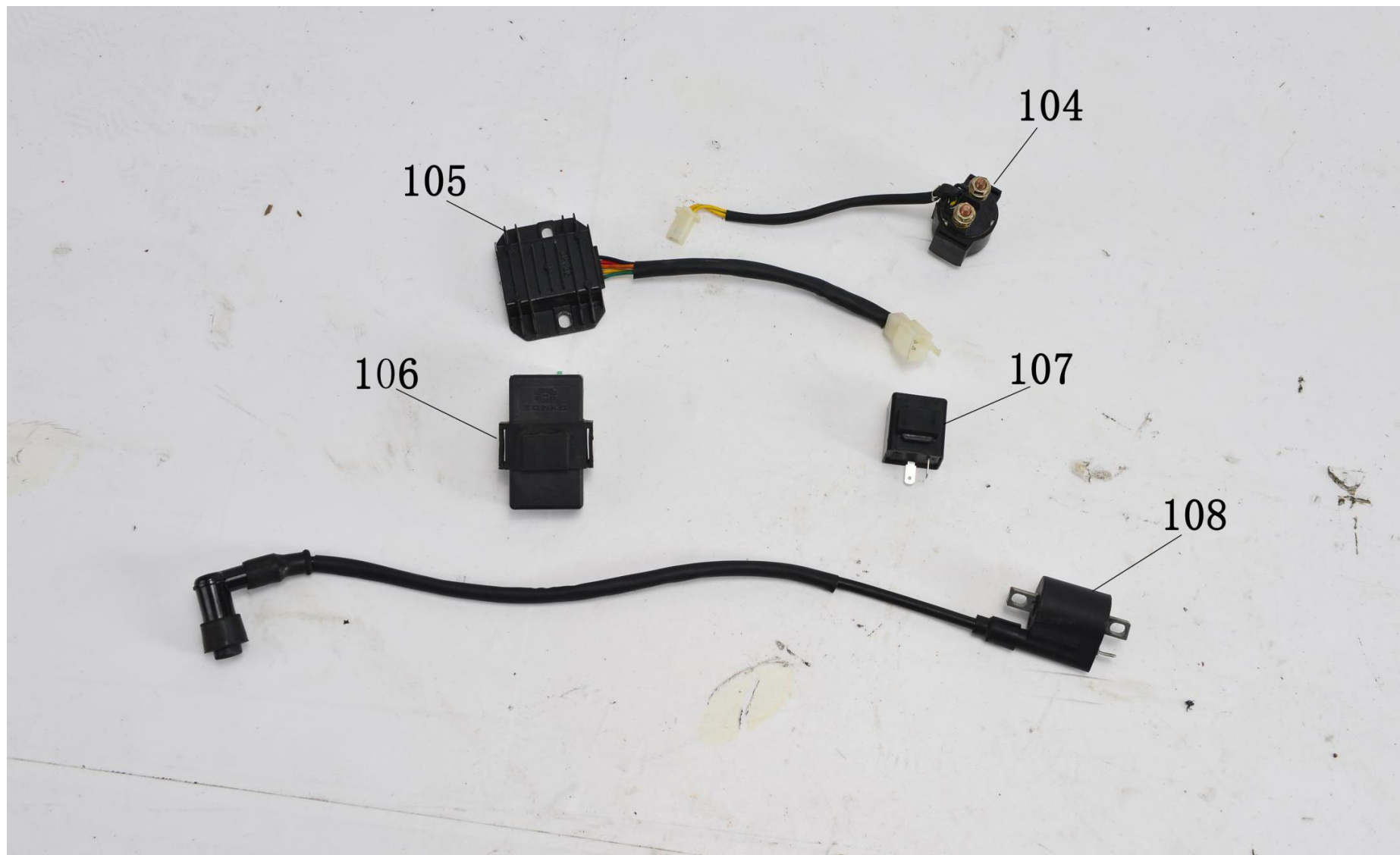
Ref. No	Part No.		Description		
92	125010092				
93	125010093				
94	125010094				
95	125010095				
96	125010096				



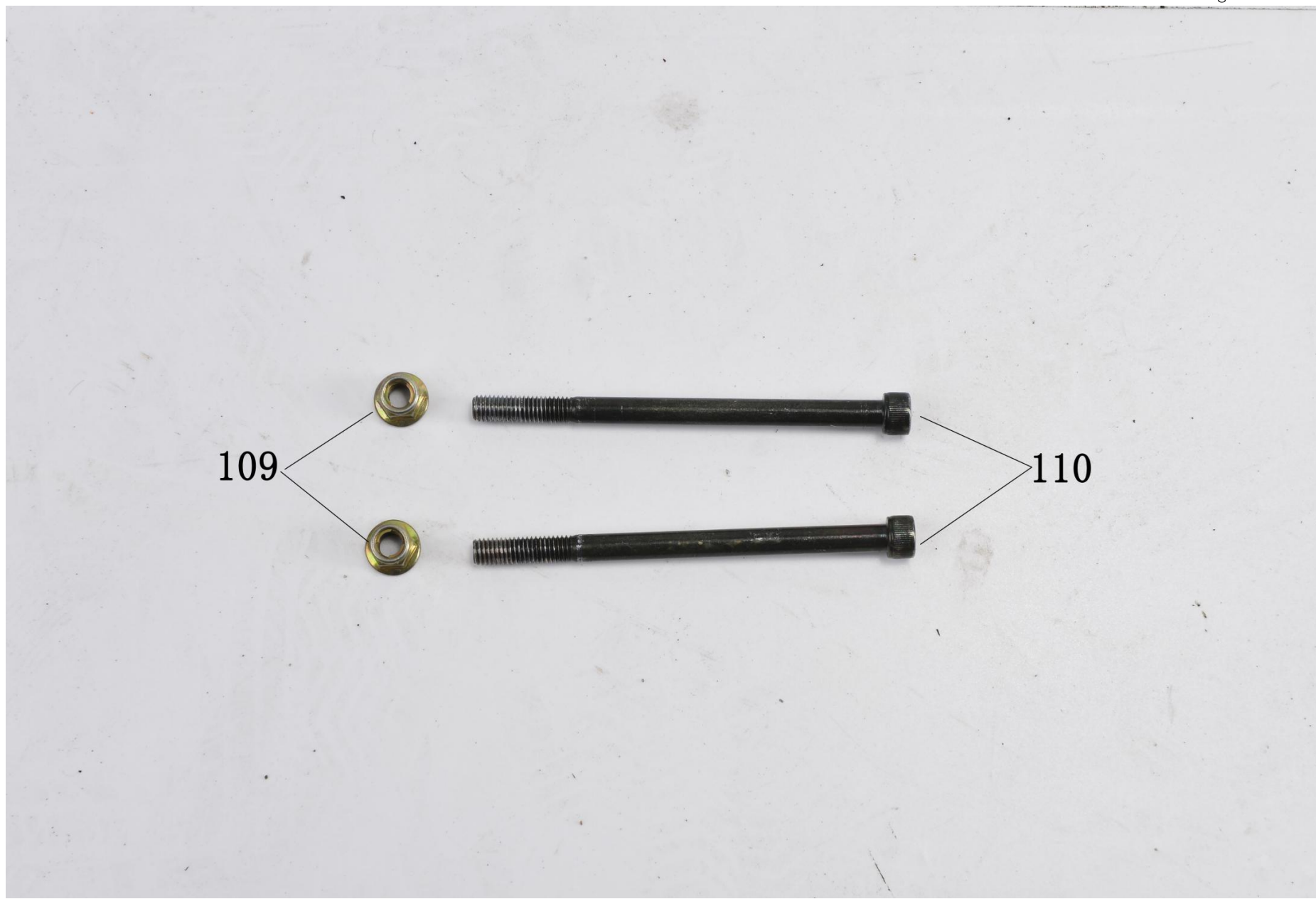
Ref. No	Part No.		Description		
97	125010097			34	
98	125010098				
99	125010099			428H-108	



Ref. No	Part No.		Description		
100	125010100			管长:670 露长:80	
101	125010101			管长:630 露长:110	
102	125010102			管长:880 露长:75	
103	125010103			管长:200 露长:40	



Ref. No	Part No.		Description		
104	125000903				
105	125000905				
106	125000904				
107	125000906				
108	125000907				



Ref. No	Part No.		Description		
109	125010109				
110	125010110				

Ref. No	Part No.	Description		
1	125010001			
2	125010002			
3	125010003			
4	125010004			
5	125010005			
6	125010006			
7	125010007			
8	125010008			
9	125010009			
10	125010010			
11	125010011			
12	125010012			
13	125010013			
14	125010014			
15	125010015			
16	125010016			
17	125010017			
18	125010018			
19	125010019			
20	125010020			
21	125010021			
22	125010022			
23	125010023			
24	125010024			
25	125010025		210	
26	125010026			
27	125010027			
28	125010028			
29	125010029			
30	125010030		上:Ø10 下:Ø10, 中心距240	
31	125010031		长675 孔 Ø12	
32	125010032		长675 孔 Ø12	
33	125010033			
34	125010034			
35	125010035			

Ref. No	Part No.	Description		
36	125010036		油管长: 500	
37	125010037		Ø220	
38	125010038		Ø190	
39	125010039		油管长: 800	
40	125010040		3.5×12	
41	125010041		2.75×12	
42	125010042		130/70-12	
43	125010043		120/70-12	
44	125010044		英制	
45	125010045		LED 12V9W/9W	
46	125010046		LED 12V5W/2W	
47	125010047		LED 12V2W	
48	125010048		LED 12V2W	
49	125010049		LED 12V2W	
50	125010050		LED 12V2W	
51	125010051		LED 12V2W	
52	125000914		12V 7Ah	
53	125000916			
54	125010054			
55	125000915			
56	125000901		1P54FMI	
57	125010057			
58	125000902		PZ20	
59	125010059			
60	125010060			
61	125010061			
62	125010062			
63	125010063			
64	125010064			
65	125010065			
66	125010066		Ø12×300	
67	125010067		M12	
68	125010068		Ø12×300	
69	125010069		Ø12×25×25×Ø25	
70	125010070		M12	

Ref. No	Part No.	Description		
71	125010071		∅12×250	
72	125010072		∅12×28×∅25	
73	125010073		M12	
74	125010074			
75	125010075			
76	125010076			
77	125010077			
78	125010078			
79	125010079			
80	125010080			
81	125000920			
82	125010082			
83	125000908			
84	125000911			
85	125000912			
86	125000910			
87	125000909			
88	125010088			
89	125010089			
90	125010090		螺杆 M10	
91	125010091		螺杆 M10	
92	125010092			
93	125010093			
94	125010094			
95	125010095			
96	125010096			
97	125010097		34牙	
98	125010098			
99	125010099		428H-108	
100	125010100		管长:670 露长:80	
101	125010101		管长:630 露长:110	
102	125010102		管长:880 露长:75	
103	125010103		管长:200 露长:40	
104	125000903			
105	125000905			

Ref. No	Part No.	Description		
106	125000904			
107	125000906			
108	125000907			
109	125010109			
110	125010110			