

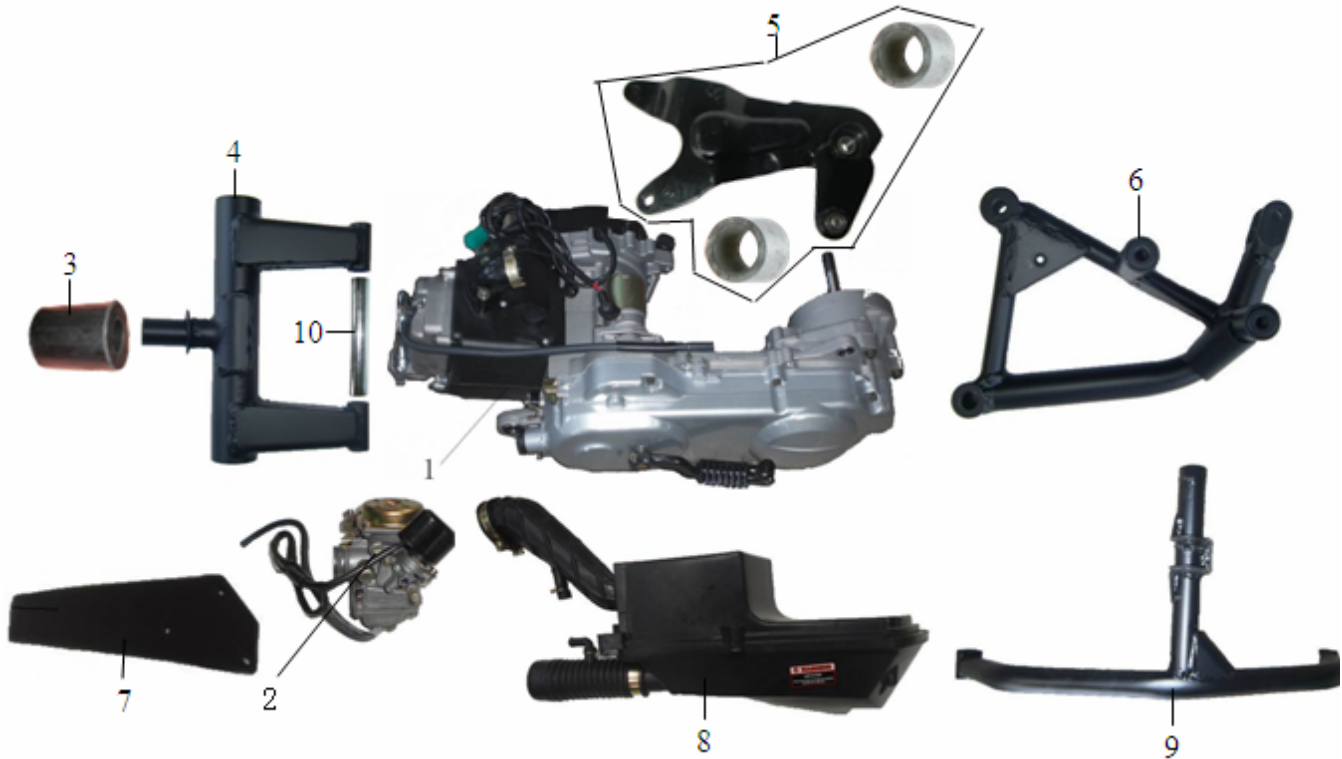
# VENOM X18 50CC PARTS CATALOG



## INTRODUCTION

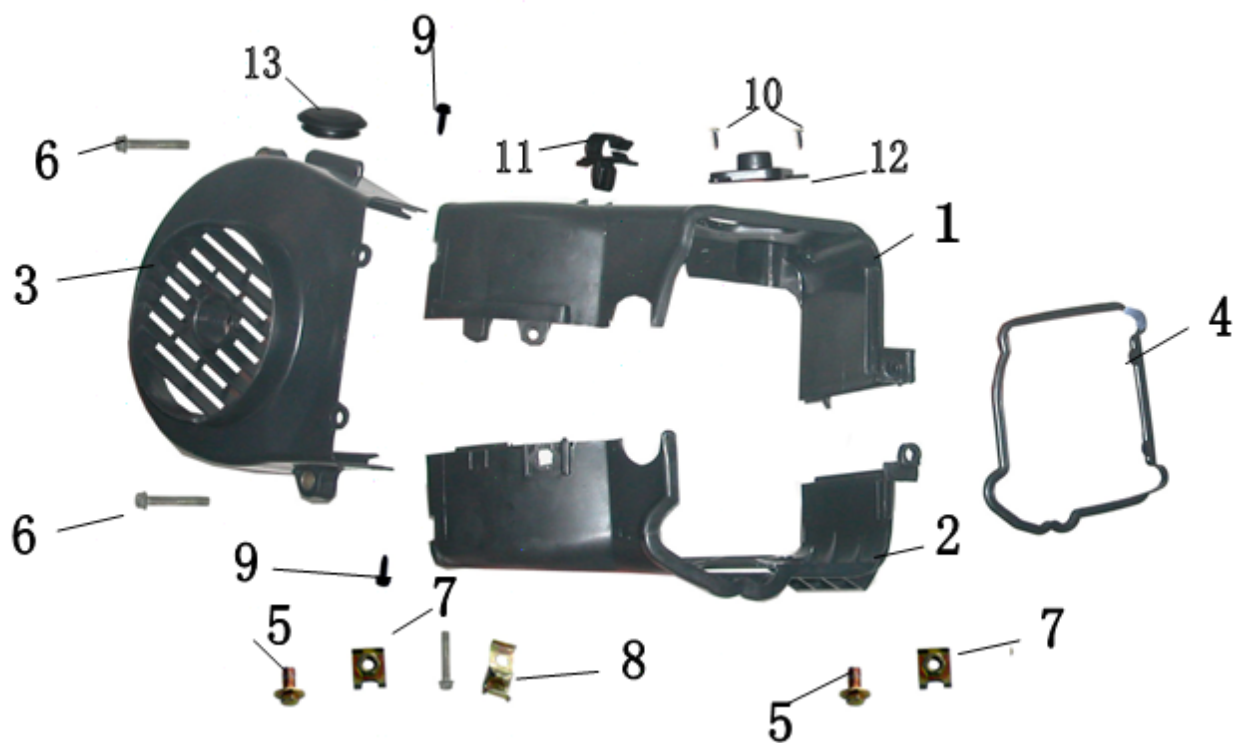
When placing orders for parts, use this booklet as a reference,. Refer to the illustrations for the name, item code, or fitment details by examining the size and appearance. Locate the corresponding number in the illustration to identify the name, item code, and quantity. Please note that changes to the information in this booklet may occur without prior notice.

动力机构(Power Mechanism)



序	件号	中文名称	英文名称	数量	
No.	Code name	Chinese	Description	Q'ty	¥
1	01010055	发动机 (50CC)	Engine	1	
2	01030003	化油器(PD20J)	Carbureter	1	
3	06020003	50TK吊架缓冲橡胶	Rubber for Engine Hanger	1	
4	02011023	动力吊架	Engine Hanger	1	
5	02011020	动力连接板	Engine connection Board	1	
6	02011013	后平叉右	Rear Fork (right)	1	
7	190045	空滤器滤芯	Filter Element	1	
8	01040003	空滤器	Air Filter	1	
9	02011012	后平叉左	Rear Fork (Left)	1	
10	02010040	吊架衬管73.5mm	Engine Hanger Bushing L: 73.5mm	1	

A/B罩总成 A/B Cover assembly



序 NO.	件号 Code name	中文名称 Chinese	英文名称 Description	数量 Q'ty	¥
1	139200001	A罩	Cover A	1	
2	139200002	B罩	Cover B	1	
3	139200003	风扇罩	Fan cover	1	
4	139200004	密封圈	Ring	1	
5	139030011	六角法兰面螺栓M6×12	Hexagon bolt M6×12	2	
6	139190014	六角法兰面螺栓M6×25	Hexagon bolt M6×25	2	
7	139190013	插片Φ6	ClipΦ6	2	
8	139200005	线扣	Lock cord	1	
9	139010011	自攻螺钉ST4.8×16	Self tapping screw ST4.8×16	2	
10	139200006	自攻螺钉ST3.8×16	Self tapping screw ST3.8×16	2	

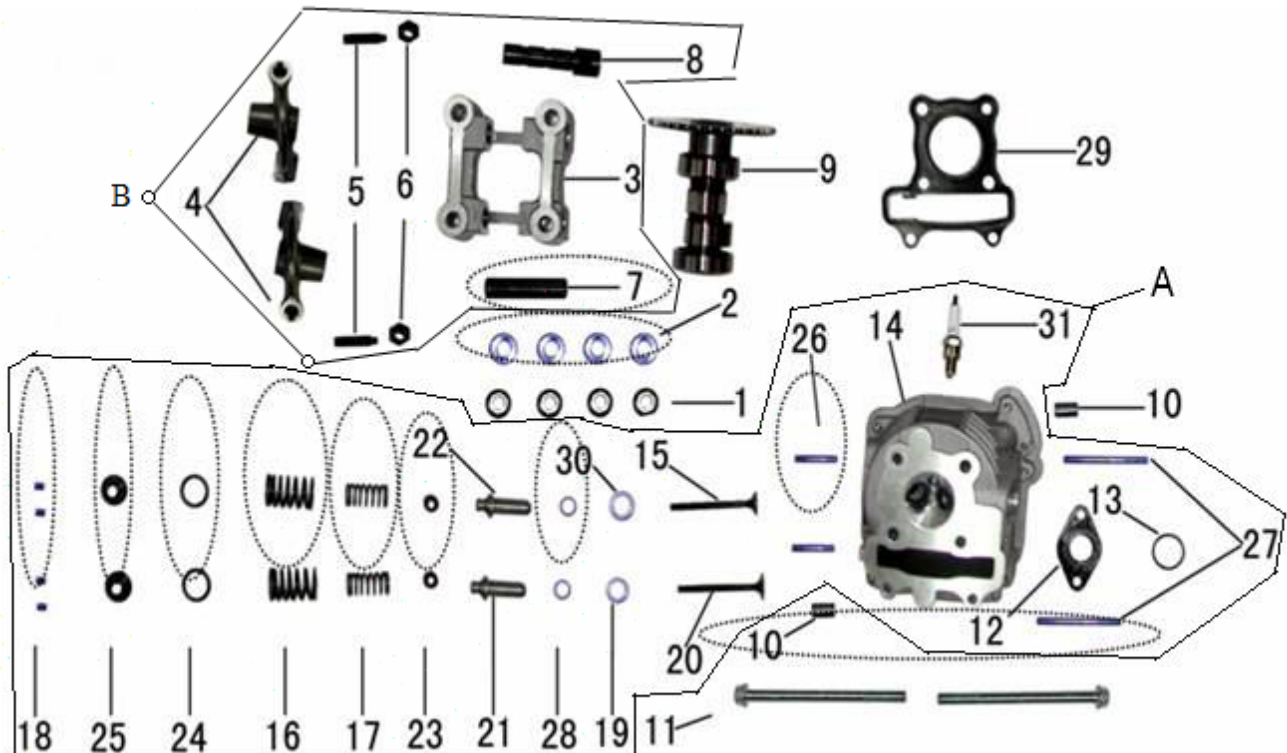




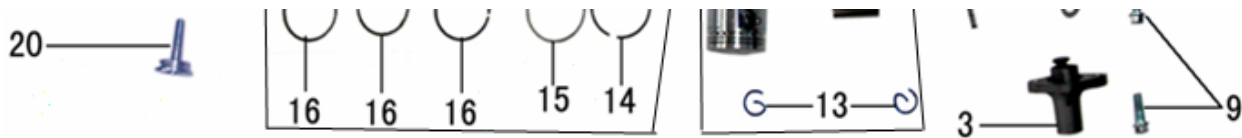


2	139220002	平垫片Φ7×14	Washer Φ7×14	4
3	139220003	气门摇臂座	Retainer, valve rocker	1
4	139220004	气门摇臂	Arm, Valve rocker	2
5	139220005	气门调整螺钉	Screw, lappet adjusting	2
6	139220006	锁紧螺母M5	Lock nut	2
7	139220007	进气门摇臂轴	In valve rocker axis	1
8	139220008	排气门摇臂轴	Out valve rocker axis	1
9	139220009	凸轮轴	Camshaft	1
10	139220010	定位销Φ8×14	pinΦ8×14	2
11	139220011	六角法兰面螺柱M6×85	Hexagon screw M6×85	2
12	139220012	隔热板	Heat insulation plate	1
13	139220013	隔热板垫	Mat of heat insulation	1
14	139220014	气缸头(50CC)	Cylinder head	1
15	139220015	排气门	Exit valve	1
16	139220016	气门大弹簧	Valve spring big	2
17	139220017	气门小弹簧	Valve spring small	2
18	139220018	气门锁夹	Cotter, valve	4
19	139220019	排气门弹簧保持器	Spring holding	1
20	139220020	进气门	In valve	1
21	139220021	进气门导管	In valve leader	1
22	139220022	排气门导管	Out valve leader	1
A	139220000	气缸头总成(二次补气)	Cylinder head assembly	1
B	139000001	凸轮轴座总成	Camshaft seat assembly	1

气缸头总成二 Cylinder head assembly 2







序 NO.	件号 Code name	中文名称 Chinese	英文名称 Description	数量 Q'ty	¥
1	139230001	气缸体	Cylinder	1	
2	139230002	气缸(纸)垫片	Gasket, cylinder	1	
3	139230003	链条调整器	Chain adjuster	1	
4	139230004	链条调整器垫片	Chain adjuster washer	1	
5	139220010	定位销Φ8×14	Pin Φ8×14	2	
6	139230005	调整器弹簧	Adjuster spring	1	
7	139230006	调整器弹簧固定螺母	Nut of adjuster spring	1	
8	139230007	固定螺母垫圈	Washer of nut	1	
9	139230008	六角法兰面螺栓M6×18	Hexagon M6×18	2	
10	139230009	导件	Guider	1	
11	139230010	活塞销	Stopcock pin	1	
12	139230011	活塞	Stopcock	1	
13	139230012	卡簧	Clip	2	
14					
15					
16					
17	139230016	曲轴连杆组合	Crankshaft comp.	1	
18	139230017	正时链条	Cam chain	1	
19	139230018	张紧杆	Cam chain tensioner	1	
20	139230019	张紧杆固定螺栓	Cam chain tensioner bolt	1	
21	139230020	O形环Φ15.2×1.5	O-ringΦ15.2×1.5	1	
A	139000008	活塞环组合	Piston ring combination	1	
B	139000007	50CC活塞总成(带销、挡圈)	50CC Piston assembly	1	

左边盖总成 Left cover assembly







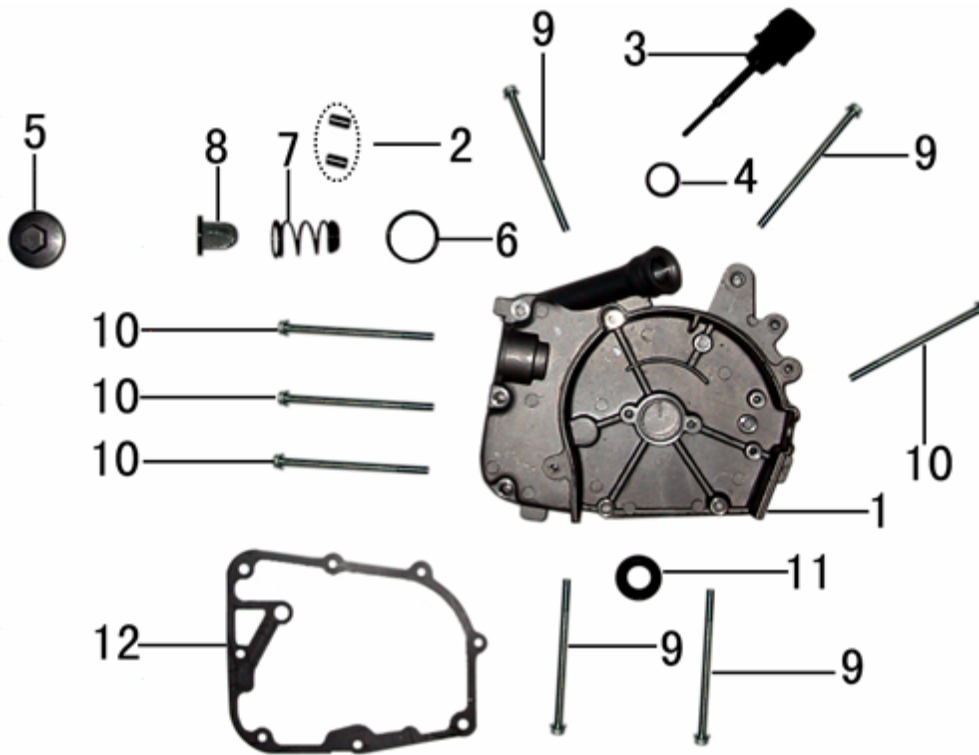








右曲轴箱盖 R. Crank case cover assy



序 NO.	件号 Code name	中文名称 Chinese	英文名称 Description	数量 Q'ty	¥
1	139290001	右曲轴箱盖	Cover L crankcase	1	
2	139220010	定位销Φ8×14	Pin, DowelΦ8×14	2	
3	139290002	机油标尺	Gauge, oil level	1	
4	139290003	O形圈Φ18×3	O-ringΦ18×3	1	
5	139290004	滤油网盖	Fuel strainer cover	1	
6	139290005	O形圈Φ30×3	O - ringΦ30×3	1	
7	139290006	滤油网弹簧	Fuel strainer spring	1	
8	139290007	滤油网	Fuel strainer	1	
9	139290008	六角法兰面螺栓M6×85	Hexagon bolt M6×85	4	
10	139290009	六角法兰面螺栓M6×100	Hexagon bolt M6×100	4	























油箱、后减震 Fuel Tank, Rear Shock



序 NO	件号 Code name	中文名称 Chinese	英文名称 Description	数量 Q'ty	¥
1	01990040	二次补气装置	Secondary Air injection Device	1	
2	02010351	二次补气阀固定片	Air Injection Fixture	1	
3	02011028	装饰网右	Body Mesh (right)	1	
4	02011029	电瓶盖扣板	Fixture plate for Battery Cover	2	
5	05030055	油箱	Fuel Tank	1	
6	06020013	油箱缓冲垫(带衬套)	Fuel Tank Plate	4	
7	02011027	装饰网左	Body Mesh (Left)	1	
8	07010099	后减震	Rear Shock Absorber	1	
9	10040067	油位传感器	Fuel Sensor	1	



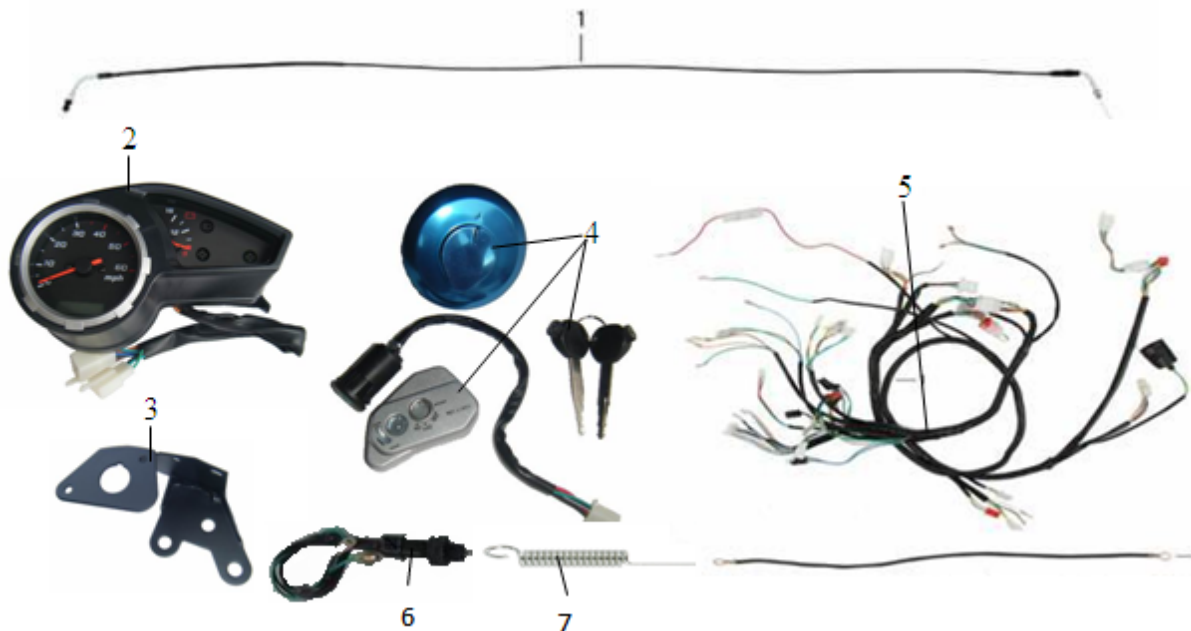






NO	Code name	Chinese	Description	Q'ty	¥
A	04010097	前碟刹总成	Front Disc Brake ASSY	1	
1		平头十字槽螺钉M4X.7X10	Phillips Screw M4X.7X10	1	
2	190191	前刹上泵	Upper Pump	1	
3		手柄台阶螺栓,M6X1.0X23	HEX Shoulder Bolt M6X1.0X23	1	
4	190193	前刹车杆(氧化手柄)	Front Brake Lever	1	
5		六角螺母,M6X1.0	HEX Nut M6X1.0	1	
6		螺栓M10X1.25X22	Bolt M10X1.25X22	1	
7		垫圈	Washer	1	
8		压板	Master Cylinder Clamp	1	
9		六角法兰螺栓,M6X1.0X20	Hex Flange Bolt M6X1.0X20	1	
10		平头十字槽螺钉,M4X.7X7	Screw M4X.7X7	1	
11	190043	方(形)碟刹开关(右)	Microswitch	1	
12		制动开关线		1	
13	190411	前制动油管	Front Brake Hose	1	
14		六角法兰螺栓,M6X1.0X12	Hex Flange Bolt M6X1.0X12	1	
15	12990030	碟刹管线夹	Brake Hose Retainer	3	
16	190192	前刹下泵(带支架)	Front Caliper Bracket	1	
17		支架,	Caliper Bracket	1	
18		六角法兰螺栓,M8X1.25X25	Hex Flange Bolt M8X1.25X25	1	
19	190041	前刹车片	Front Brake Pad	1	
20		台阶螺栓,M8X1.25X25	Shoulder Bolt M8X1.25X25	1	
21	04020048	前碟盘	Front Brake Disc	1	

仪表、电缆、锁 Speedmeter, Wire harness, Lock









序 NO	件号 Code name	中文名称 Chinese	英文名称 Description	数量 Q'ty	¥
1	03030590	侧板左	Body Guard (Left)	1	
2	03030591	侧板右	Body Guard (Right)	1	
3	03030592	油箱边侧板左	Fuel Tank Guard (Left)	1	
4	03030593	油箱边侧板右	Fuel Tank Guard (Right)	1	
5	03030594	后泥板	Rear Fender	1	
6	03030600	鹰嘴	Red Decorating for Headlight	1	
7	03030597	下网罩左	Bottom Mesh Guard (Left)	1	
8	03030598	下网罩右	Bottom Mesh Guard (Right)	1	
9	03030595	上网罩左	Up Mesh Guard (Left)	1	
10	03030596	上网罩右	Up Mesh Guard (Right)	1	
11	03010389	尾灯壳	Tail Light Cover	1	
12	03030599	挡风玻璃	Windshield	1	
13	03030589	电池盒	Battery Tank	1	
14	03030493	电池盒盖	Battery Tank Cover	1	
15	03030002	后轮挡泥板(带支架)	Rear Wheel Fender	1	
16	02011014	后泥板固定板	Rear Wheel Fender Plate	1	
17	09050001	反光片(方-红)	Square Reflector (Red)	1	
18	03030422	G300网罩	G300 Net Cover	1	
19	03030311	工具箱	Tools Box	1	

覆盖件2 Body Covering 2



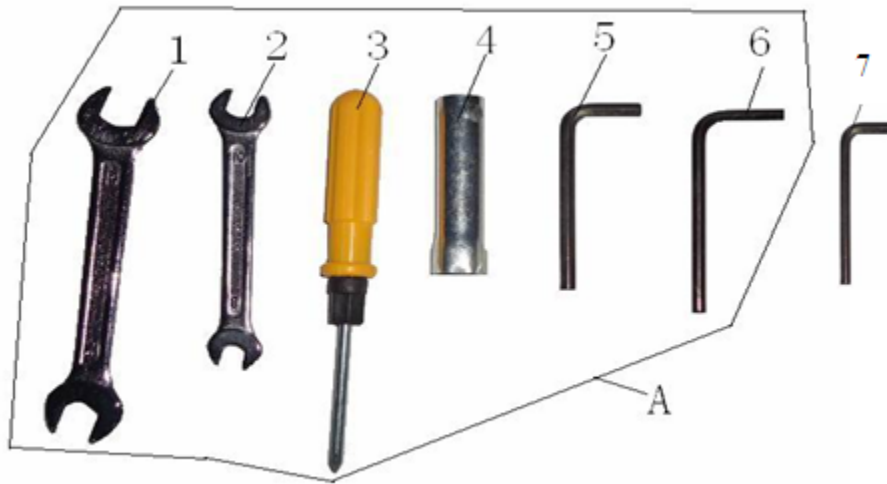








随车工具 Tools Kit



序 NO.	件号 Code name	中文名称 Chinese	英文名称 Description	数量 Q'ty	¥
A		随车工具	Tools	1	
1	16010005	12-14开口扳手	Open Spanner (12-14)	1	
2	16010004	8-10开口扳手	Open Spanner (8-10)	1	
3	16010006	双头螺丝刀	Dual-Purpose Screwdriver	1	
4	16010007	火花塞套筒S=16	Spark Plug Box Spanner (S=16)	1	
5	16010002	6mm内六角扳手	Socket Head Screw Wrench (6mm)	1	
6	16010001	5mm内六角扳手	Socket Head Screw Wrench (5mm)	1	
7	16010116	4mm内六角扳手	Socket Head Screw Wrench (4mm)	1	

