

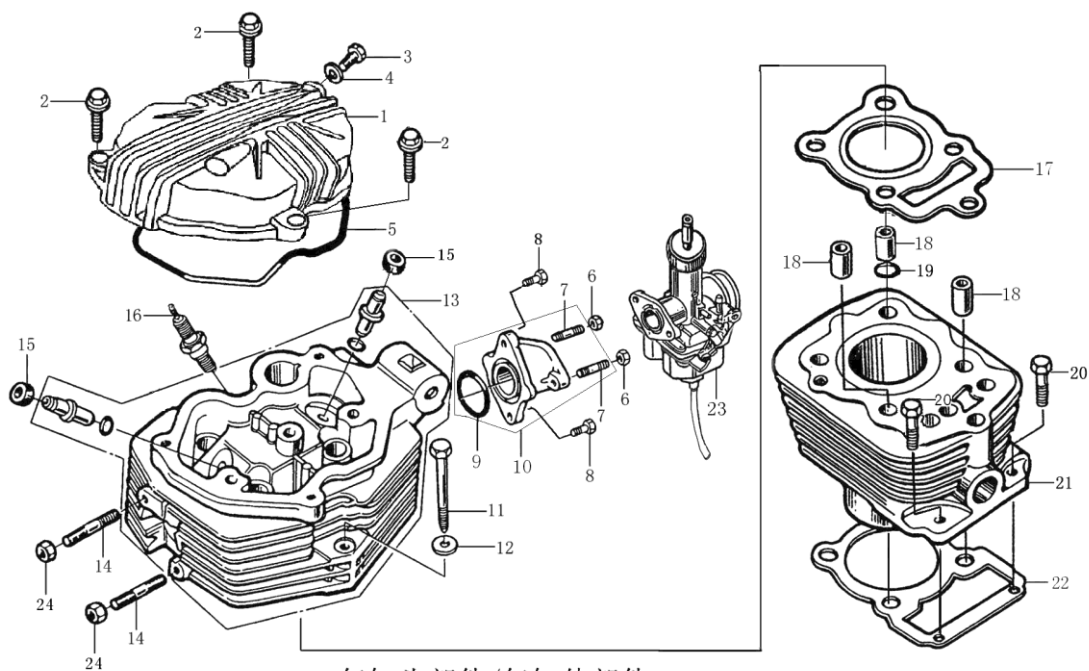
VENOM VILLAIN 250CC PARTS CATALOG



INTRODUCTION

When placing orders for parts, use this booklet as a reference. Refer to the illustrations for the name, item code, or fitment details by examining the size and appearance. Locate the corresponding number in the illustration to identify the name, item code, and quantity. Please note that changes to the information in this booklet may occur without prior notice.

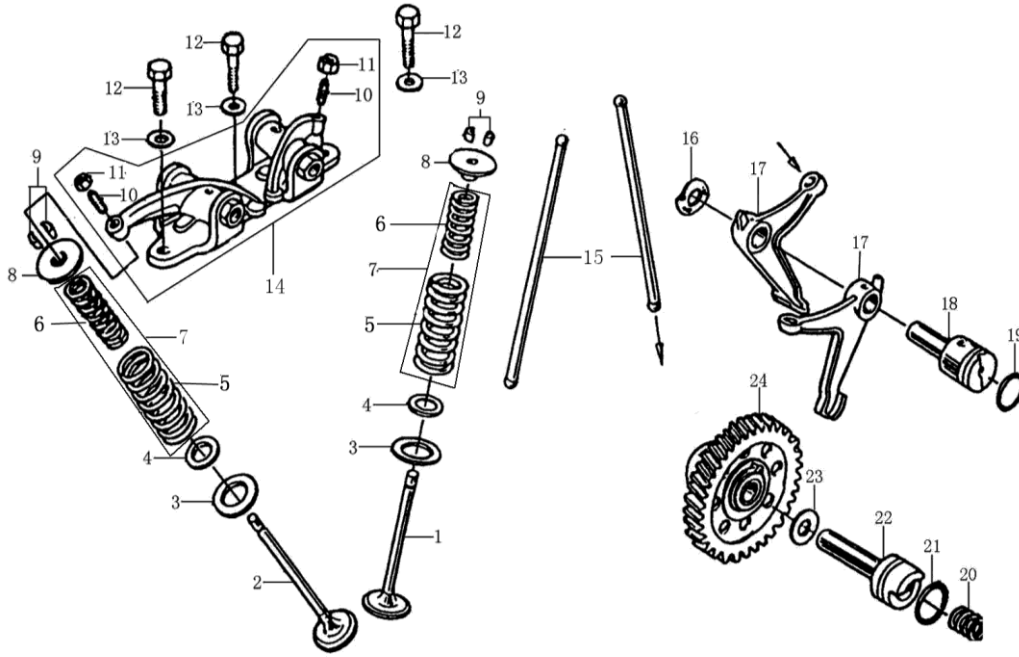
气缸体、气缸头 Cylinder Block & Cylinder Head



气缸头部件/气缸体部件
CYLINDER HEAD ASSY/CYLINDER ASSEMBLY

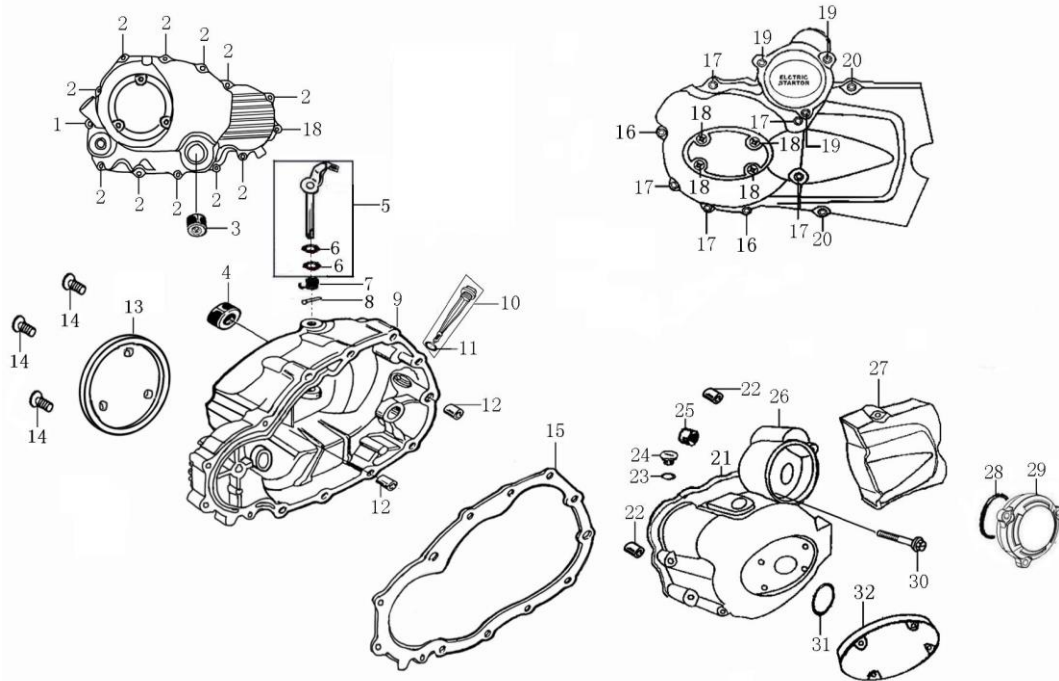
序	件号	中文名称	英文名称	数量	单价	
NO	Code name	Chinese	Description	Q' ty	¥	\$
1	11226-LA12-000086	CG200D-B气缸头上盖(8806)	Upper cover,cylinder head	1		
2	B057890006002870X	GB5789螺栓M6×28(兰白锌)	Bolt M6×28	3		
3	B057890006001270X	GB5789螺栓M6×12(兰白锌)	Bolt M6×12	1		
4	93301-70651512000	70张紧杆注油铝垫圈6.5×1.5×12	Washer 6.5×1.5×12	1		
5	90103-LA12-0000	CG200D-B气缸头上盖密封圈	Seal ring of upper cover,cylinder head	1		
6	B061700006000090X	GB6170螺母M6(兰白锌)	Nut 6	2		
7	91127-I006-0000	CB125脚进气管双头螺栓(普通 L:27mm)	Bolt	2		
8	B057830006002070X	GB5783螺栓M6×20(兰白锌)	Bolt M6×20	2		
9	90101-20335000300	CB125进气管O形圈33.5×3(氟硅胶)	O-Ring 33.5×3	1		
10	15800-L044-0041	CB200进气管组合(JQ-41)	Inlet pipe	1		
11	91104-MA95-00000X	CG250缸头缸体螺栓M8×86	Bolt M8×86	1		
12	93301-80852018000	CB125盖形螺母铜垫圈8.5×2×18	Washer 8.5×2×18	1		
13	1122B-MA95-010086	CG250气缸头组合(8806)M8/58	Cylinder head assy	1		
14	91138-G012-00000X	AX100缸头排气口双头螺栓M8×36	Bolt M8×36	2		
15	1572B-I008-0000	CG125D挡油罩组合	Seal, valve stem	2		
16	81300-I006-0000	CB125脚火花塞部件	Spark plug	1		
17	9022B-LA12-0000	CG200D-B气缸头密封垫组合	Gasket assy,cylinder head	1		
18	91521-10002000000	CG125脚定位销10×20	Pin 10×20	3		
19	90101-20100000160	CB125缸头气门导管O形圈10×1.6(氟硅胶)	O-Ring 10×1.6	1		
20	91113-I008-00000X	CG125D缸体箱体连接螺栓M6×22	Bolt M6×22	2		
21	1110B-MA95-000086	CG250气缸体部件(缸标250 8806)	Cylinder block assembly	1		
22	90205-MZ09-0000	CG250-B气缸体密封垫	Gasket,cylinder block	1		
24	B061700008000090X	GB6170螺母M8(兰白锌)	Nut M8	2		

配气机构Camshaft & Valves



序	件号	中文名称	英文名称	数量	单价	
NO	Code name	Chinese	Description	Q'ty	¥	\$
1	15701-LA01-0001	CB200-A油冷进气门(高频淬火)	INTAKE VALVE	1		
2	15702-LA01-0000	CB200-A油冷排气门	EXHAUST VALVE	1		
3	15706-I008-0000	CG125D气门外弹簧座圈(下)	OUTER VALVE SPRING RETAINER	2		
4	15708-I008-0000	CG125D气门内弹簧座圈(下)	SPRING SEAT	2		
5	15703-I008-0000	CG125D气门外弹簧	VALVE OUTER SPRING	2		
6	15704-I008-0000	CG125D气门内弹簧	VALVE INNER SPRING	2		
7	15710-I008-0000	CG125D气门内外弹簧组合	INNER SPRING,ASSY	2		
8	15705-I008-0000	CG125D气门弹簧座(上)	SPRING SEAT	2		
9	15707-I008-0001	CG125D气门锁夹(改进型)	VALVE LOCKER	4		
10	15404-I008-0000	CG125D气门间隙调节螺钉	SCREW, VALVE CLEARANCE	2		
11	15403-I008-0000	CG125D气门间隙调节螺母	NUT, VALVE CLEARANCE	2		
12	91180-IA20-0000	SB125上摇臂螺栓M8×33	BOLT M8×33	3		
13	93301-80852018000	平垫圈 φ8.5×2×φ18	WASHER 8.5×2×18	3		
14	1540A-LA12-0100	CG200D-B-2#气门上摇臂组合	ROCKER ARM ASSEMBLY, VALVE	1		
15	1532A-MA95-0200	CG250-2#推杆组合(铝合金)	ALUMINUM ALLOY PUSH ROD ASSEMBLY	2		
16	93303-51230220900	波形弹性垫圈 φ12.3×0.2×φ20.9	WAVE WASHER 12.3×0.2×20.9	1		
17	15407-I008-0000	CG125D下摇臂	LOWER ROCKER ARM	2		
18	15408-LA12-0100	CG200D-B-2#下摇臂轴	SHAFT, LOWER ROCKER ARM	1		
19	90101-20180000250	O型圈 φ18×2.5(氟硅胶)	O-RING 18×2.5	1		
20	15109-I008-0000	CG125D配气凸轮轴弹簧	SPRING	1		
21	90101-20200000250	O型圈 φ20×2.5(氟硅胶)	O-RING 20×2.5	1		
22	15105-LA12-0100	CG200D-B-2#配气凸轮芯轴	AIR MLET CAM SHAFT	1		
23	93301-51421024000	平垫圈 φ14.2×1×φ24	WASHER 14.2×1×24	1		
24	1510A-I008-0000	CG125D正时从动齿部件	NG DRIVEN SPROCKET COMP	1		

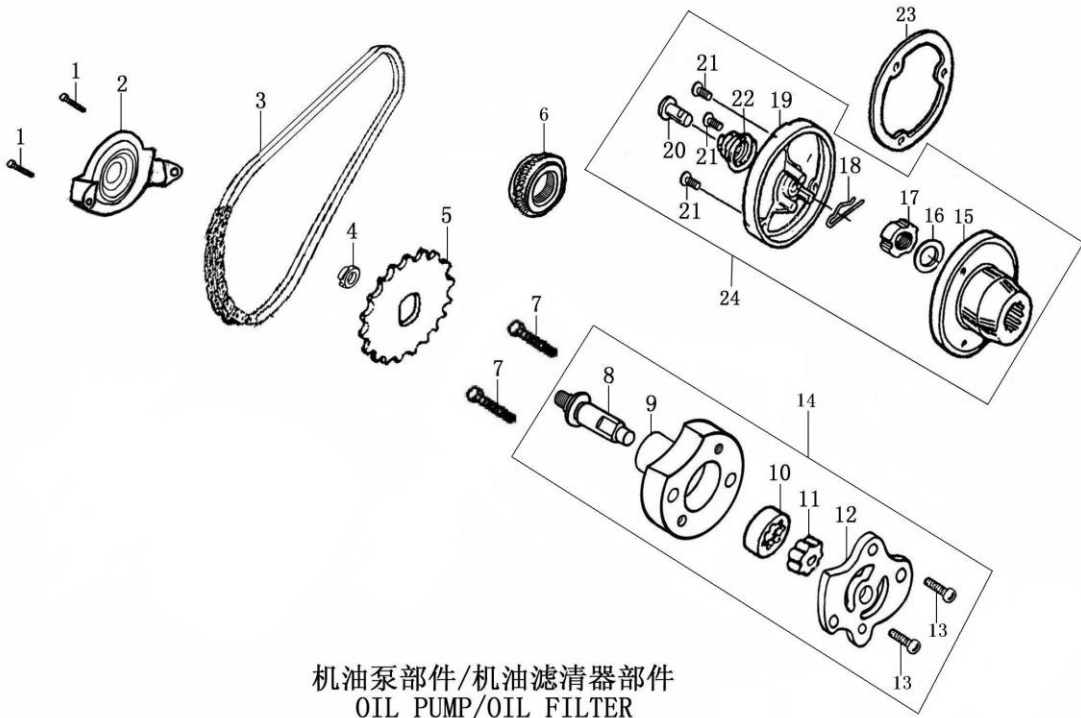
曲轴箱盖 CRANKCASE COVER(一)



曲轴箱盖
CRANKCASE COVER

序	件号	中文名称	英文名称	数量	单价	
NO	Code name	Chinese	Description	Q' ty	¥	\$
1	B166740A06004570X	GB16674小盘螺栓M6×45(兰白锌)	Bolt M6×45	1		
2	B166740A06004070X	GB16674小盘螺栓M6×40(兰白锌)	Bolt M6×40	12		
3	12426-I008-0000	CG125D机油观察窗	Oil lelve sight window	1		
5	2242A-I006-03010X	CB125脚-3#离合器操纵臂组合(氟橡胶 兰白锌)	Controlling arm assembly,clutch	1		
7	22427-I006-0000	CB125脚离合器操纵臂弹簧	Clutch contrilling arm spring	1		
8	B0087901030120000	GB879.1销 3×12	Pin 3×12	1		
9	12421-LA12-000085	CG200D-B右曲轴箱盖(白板 标准款 8805)电感式	Cover comp right crankcase	1		
10	14301-I006-0000	CB125脚机油尺组合(白板 本色)整体式	Oil ruler assy	1		
11	90101-10180000300	CG125机油尺O形圈18×3(丁腈胶)	O-Ring 18×3	1		
12	91521-08001400000	70定位销8×14×6.3	Pin 8×14×6.3	2		
13	12425-I008-50010G	CG125D右盖装饰盖(ZONGSHEN 铁汉款 白铬)	Decorate cover crankcase cover	1		
14	B008180006001020X	GB818螺钉M6×10(兰白锌)	Screw M6×10	3		
15	90206-I042-0000	CG125D-B右曲轴箱盖密封垫	Gasket,R.Crankcase cover	1		
16	B166740A06005070X	GB16674小盘螺栓M6×50(兰白锌)	Bolt M6×50	2		
17	B166740A06004070X	GB16674小盘螺栓M6×40(兰白锌)	Bolt M6×40	5		
18	B008180006001220X	GB818螺钉M6×12(兰白锌)	Screw M6×12	4		
19	B166740A06002070X	GB16674小盘螺栓M6×20(兰白锌)	Bolt M6×20	3		
20	B166740A06002870X	GB16674小盘螺栓M6×28(兰白锌)	Bolt M6×28	2		
21	90204-I008-0000	CG125D左曲轴箱前盖密封垫	Gasket,L.Crankcase cover	1		
22	91521-10001400000	CG125脚定位销10×14	Pin 10×14	2		
23	90101-10132000265	C100小视孔盖O形圈13.2×2.65(丁腈胶)	O-Ring 13.2×2.65	1		
24	12303-G011-000085	C100小视孔盖(8805)	Cap,small view hole	1		

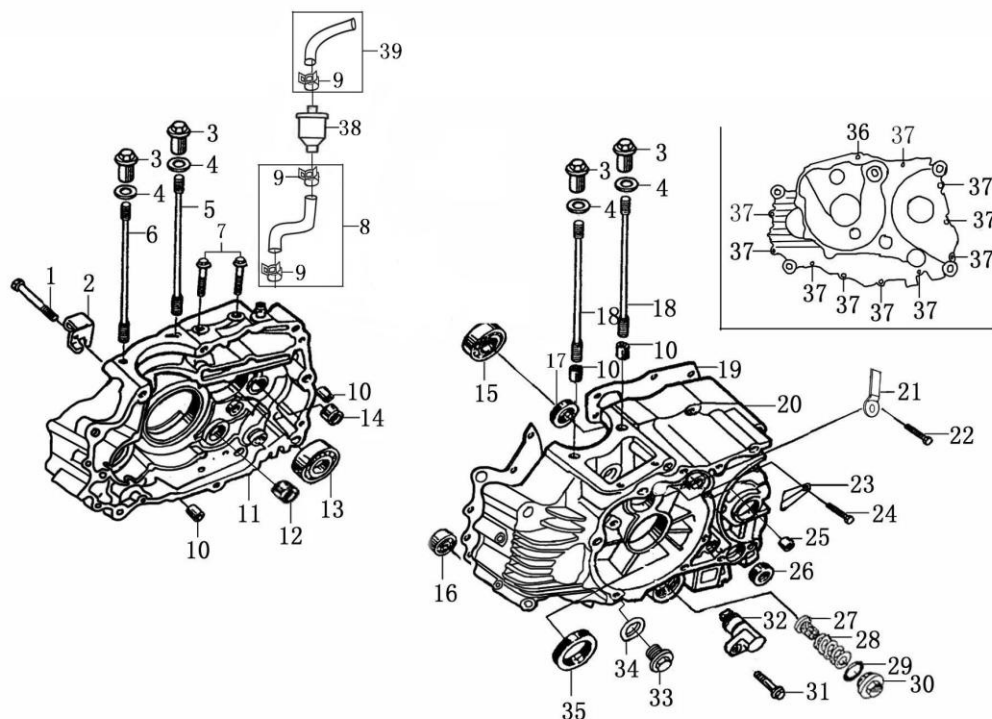
机油泵部件/机油滤清器部件 OIL PUMP/OIL FILTER



机油泵部件/机油滤清器部件
OIL PUMP/OIL FILTER

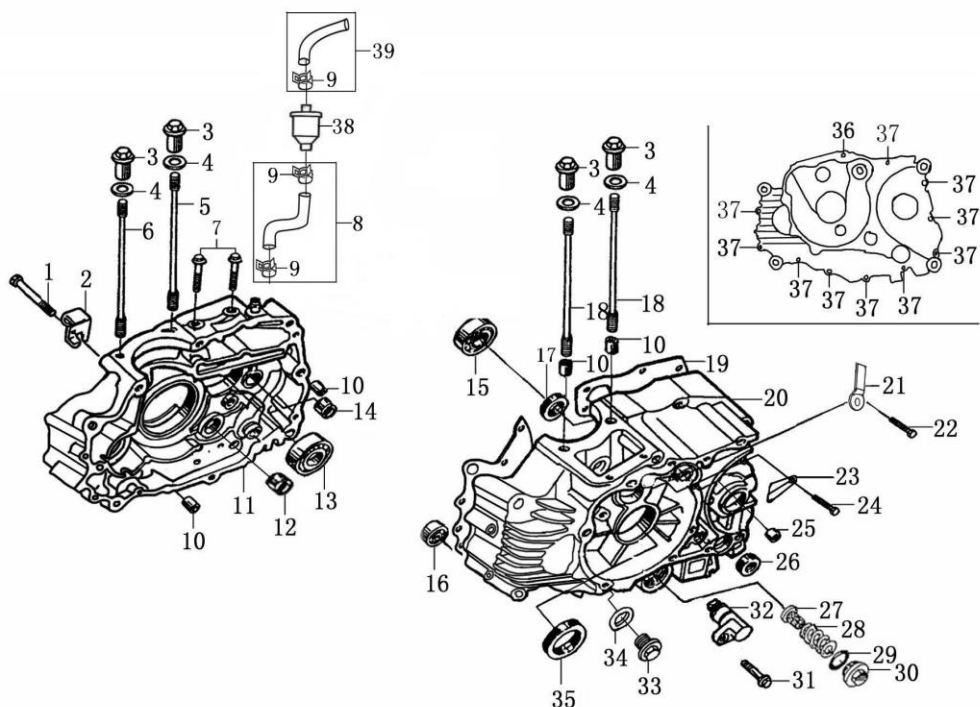
序 NO	件号 Code name	中文名称 Chinese	英文名称 Description	数量 Q'ty	单价	
					¥	\$
1	B166740A06001270B	GB16674小盘螺栓M6×12(白锌)	Bolt M6×12	2		
2	14113-LA12-0000	CG200D-B机油泵齿轮盖	Oil pump gear cover	1		
3	14103-I042-0000	CG125D-B机油泵传动链条	Chain,oil pump	1		
4	B061770106000090B	GB6177.1螺母M6(白锌)	Nut 6	1		
5	1432B-I015-0000	GY6机油泵传动链轮	Hub dump chain sprocket,oil pump	1		
6	14001-I042-0000	CG125D-B机油泵主动链轮	Sprocket-P	1		
7	B166740A06003270B	GB16674小盘螺栓M6×32(白锌)	Bolt M6×32	2		
8	14107-LA12-0000	CG200D-B机油泵油泵轴	Shaft,oil pump	1		
9	14110-LA12-0000	CG200D-B机油泵体	Oil pump body	1		
10	14112-LA12-0000	CG200D-B机油泵外转子	Outer rotor,oil pump	1		
11	14111-LA12-0000	CG200D-B机油泵内转子	Inner rotor,oil pump	1		
12	14108-LA12-0000	CG200D-B机油泵盖板	Oil pump cover	1		
13	B008180003000820B	GB818螺钉M3×8(白锌)	Screw M3×8	2		
14	14100-LA12-0000	CG200D-B机油泵部件	Oil pump assy	1		
15	14203-LA12-0000	CG200D-B机油滤清器转子组件	Rotor assy of filter	1		
16	22004-I006-0000	CB125脚离合器碟形垫圈16.5×2×27	Dish washer,clutch	1		
17	91203-I006-0000	CB125脚机油滤清器螺母	Nut	1		
18	14208-I006-0000	CB125脚机油滤清器开口销	Open pin	1		
19	14207-I006-0000	CB125脚机油滤清器盖	Oil filter cover	1		
20	14201-I006-0000	CB125脚机油滤清器出油管	Oil pipe	1		
21	B008190105001220B	GB819.1螺钉M5×12(白锌)	Screw M5×12	3		
22	14202-I006-0000	CB125脚机油滤清器出油管弹簧	Spring,pipe	1		
23	90209-I006-0000	CB125脚机油滤清器端盖密封垫	Gasket,oil filter	1		
24	14200-LA12-0000	CG200D-B机油滤清器部件	Oil filter,comp	1		

曲轴箱 CRANKCASE (1)



序	件号	中文名称	英文名称	数量	单价	
NO	Code name	Chinese	Description	Q'ty	¥	\$
1	B166740A06005570X	GB16674小盘螺栓M6×55(兰白锌)	Bolt M6×55	1		
2	22422-I006-00010X	CB125脚-2#离合器钢索支架(兰白锌)	Holder,cliutch cable	1		
3	91212-I008-00000C	CG125D气缸头AB栓长螺母M8×32(彩锌)	Nut	4		
4	93301-C125202200B	CG125D B栓平垫圈12.5×2×22(白锌)	Washer 12.5×2×22	4		
5	91101-MA95-0000	CG250气缸双头螺栓A	Cylinder stud bolt A	1		
6	91101-LA66-0300	CG200-A-4#气缸双头螺栓A	Cylinder stud bolt A	1		
7	B057890006002870X	GB5789螺栓M6×28(兰白锌)	Bolt M6×28	2		
8	12130-MA95-0200	CG250-3#通气管组件(复合层材料 卡箍2个)	Breath tube	1		
9	18097-I008-0000	CG125D废气循环管 I 卡箍	Clamp	3		
10	91521-10001400000	CG125脚定位销10×14	Pin 10×14	4		
11	1222B-MZ09-000085	CG250-B右曲轴箱组合(8805)	Right crankcase block	1		
12	92102-000HK212810	滚针轴承(HK21×28×10)	Bearing (HK212810)	1		
13	92102-00000006006	轴承(6006)	Bearing (6006)	1		
14	92102-000NK152312	滚针轴承(NK15×23×12)	Bearing (NK152312)	1		
15	92102-00000006204	轴承(6204)	Bearing (6204)	1		
16	92102-00000006202Z	轴承(6202Z)	Bearing (6202Z)	1		
17	90303-I006-0000	CB125脚副轴油封20×34×7(丁腈胶)	Oil seal 20×34×7	1		
18	91102-MA95-0200	CG250-3#气缸双头螺栓B	Cylinder stud bolt B	2		
19	90208-LA12-0000	CG200D-B曲轴箱密封垫	Gasket,crankcase	1		
20	1212B-MZ09-000085	CG250-B左曲轴箱组合(8805)	Left crankcase block	1		
21	12103-I006-0000	CB125脚挡线片	Position plate	1		
22	B166740A06001270B	GB16674小盘螺栓M6×12(白锌)	Bolt M6×12	1		
23	15108-I008-0000	CG125D凸轮轴挡板	Stop plate,camshaft	1		
24	B057830006001270B	GB5783螺栓M6×12(白锌)	Bolt M6×12	1		

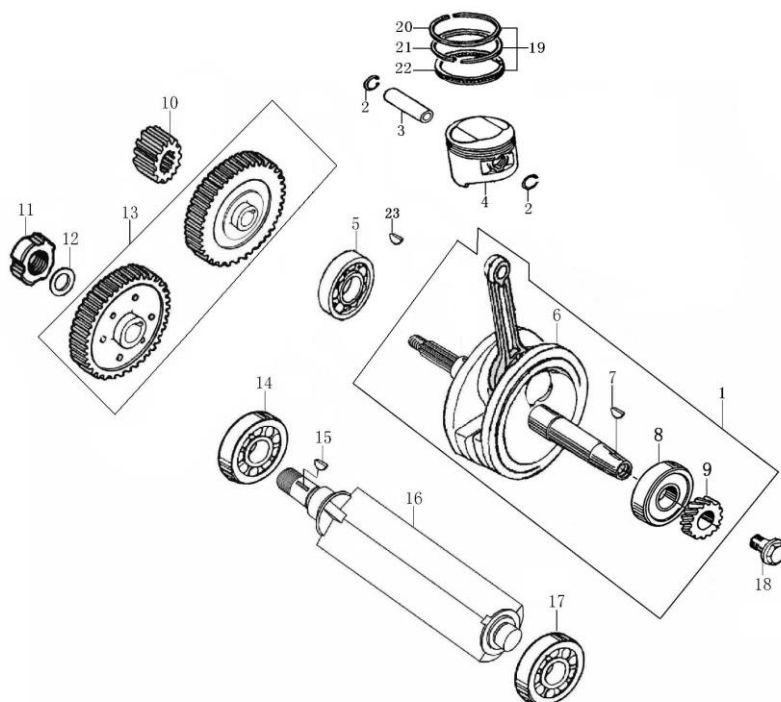
曲轴箱 CRANKCASE (2)



曲轴箱 CRANKCASE

序	件号	中文名称	英文名称	数量	单价	
NO	Code name	Chinese	Description	Q'ty	¥	\$
25	92102-I008-0001	CG125D含油轴承(铁基)	Bearing	1		
26	90301-I006-0000	CB125脚换挡臂油封14×28×7(丁腈胶)	Oil-seal 14×28×7	1		
27	1431B-I006-0000	CB125脚机油过滤网组合	Strainer ,oil filter	1		
28	14221-I006-0000	CB125脚机油过滤网弹簧	Spring,oil filter strainer	1		
29	90101-20350000300	CB125气门盖O形圈35×3(氟硅胶)	O-Ring 35×3	1		
30	11230-I006-00000W	CB125脚气门室盖(抛丸钝化)	Cover, valve chamber	1		
31	B166740A06002570B	GB16674小盘螺栓M6×25(白锌)	Bolt M6×25	1		
32	1213B-MA95-0000	CG250压销体组合	Pressing pin body assy	1		
33	91103-I008-00000X	CG125D放油螺塞(兰白锌)	Oil drain	1		
34	93301-71242020000	CG125D放油螺塞铝垫圈12.4×2×20	Washer 12.4×2×20	1		
35	90302-I008-0000	CG125D曲轴油封34×50×7(丁腈胶)	Oil-seal 34×50×7	1		
36	B166740A06009570X	GB16674小盘螺栓M6×95(兰白锌)	Bolt M6×95	1		
37	B166740A06005070X	GB16674小盘螺栓M6×50(兰白锌)	Bolt M6×50	10		
38	12162-MA95-0000	CG250油气分离器(两通)	Oil air filter	1		
39	12130-ME13-0101	SB250海啸-2#通气管组件(复合层材料 卡箍1个)	Breath tube	1		

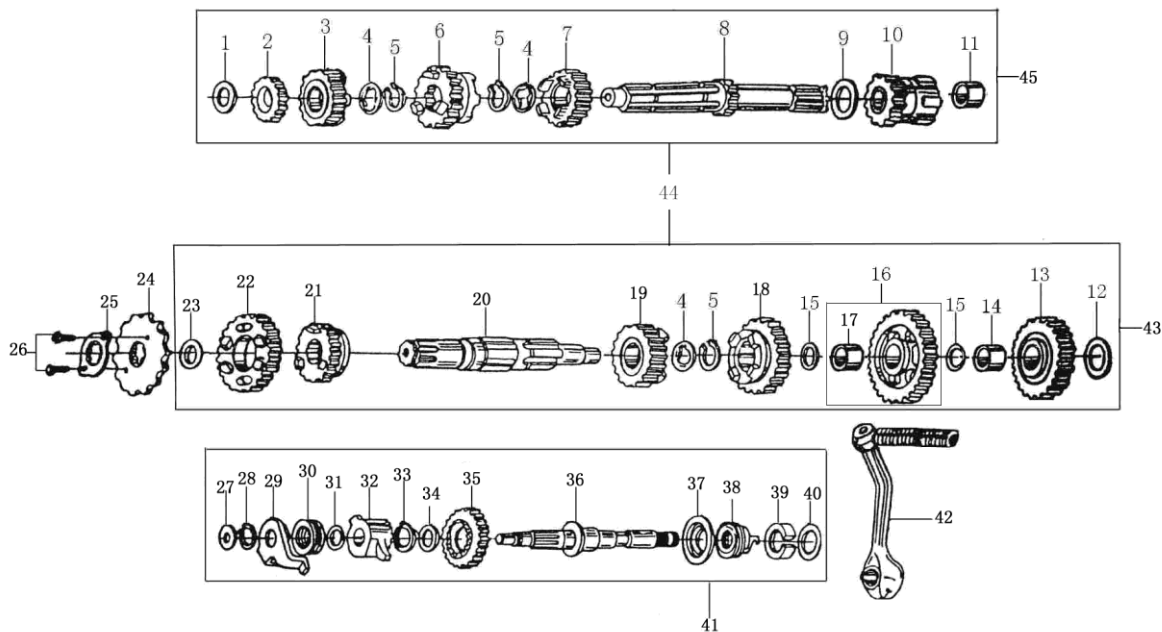
曲轴连杆部件/活塞 CRANKSHAFT CONNECTING-ROD ASSY/PISTON



曲轴连杆部件 / 活塞
CRANKSHAFT CONNECTING-ROD ASSY/PISTON

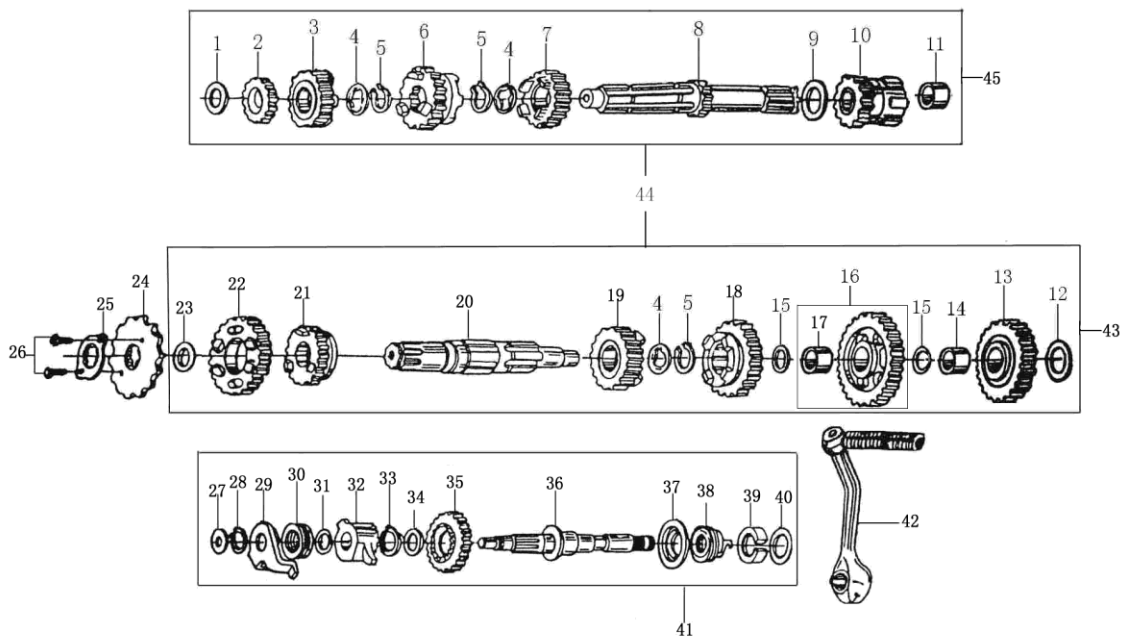
序	件号	中文名称	英文名称	数量	单价	
NO	Code name	Chinese	Description	Q' ty	¥	\$
1	1320B-MZ09-0000	CG250-B曲轴连杆部件无右轴承	Crankshaft connecting-god assy	1		
2	91401-L067-0000	LY200活塞销挡圈	Check ring,piston pin	2		
3	13102-L067-0000	LY200活塞销	Pin piston	1		
4	13101-MZ09-0000	CG250-B活塞	Piston	1		
5	92102-0063-28X1P5	轴承(63/28X1P5)	Bearing (63/28X1P5)	1		
6	13220-MZ09-0000	CG250-B曲轴连杆组	Connecting rod comp 3	1		
7	91601-I008-0000	CG125D半圆键25×14×4	Semicircular key	1		
8	92102-0063-28-1RS	轴承(63/28-1RS)	Bearing (63/28-1RS)	1		
9	13222-I008-0000	CG125D曲轴正时主动齿轮	Hub dump chain sprocket	1		
10	23101-LA12-0000	CG200D-B主动齿	Primary driv gear	1		
11	91220-I042-0000	CG125D-B平衡轴锁紧螺母M16×1-6H(左)	Nut	1		
12	93316-1162272250B	CG125D-B平衡轴止推垫圈16.2×2.7×22.5	Washer 16.2×2.7×22.5	1		
13	13310-I042-0200	CG125D-B-3#平衡轴主从动齿轮组件	Left cover,cylinder head	1		
14	92102-00000006303	轴承(6303)	Bearing (6303)	1		
15	91606-MZ09-0000	CG250-B平衡轴平键12.5×4×4	Tabulate key	1		
16	13301-MZ09-0000	CG250-B平衡轴	Balance shaft	1		
17	92102-00000006203	轴承(6203)	Bearing (6203)	1		
18	91106-I008-0000	CG125D磁电机安装螺栓M10×36	Bolt M10×36	1		
19	1310A-L067-0000	LY200活塞环总成	Piston ring comp	1		
20	13103-L067-0000	LY200活塞环一	Piston ring 1	1		
21	13104-L067-0000	LY200活塞环二	Piston ring 2	1		
22	13120-L067-0000	LY200油环组合	Oil ring assy	1		
23	91601-MZ09-0100	CG250-B曲轴平衡齿半圆键19×11.4×4	Semicircular key	1		
24	93301-11052524000	平垫圈φ10.5×2.5×φ24	WASHER 10.5×2.5×24	1		

传动机构 TRANSMISSION MECHANISM (1)



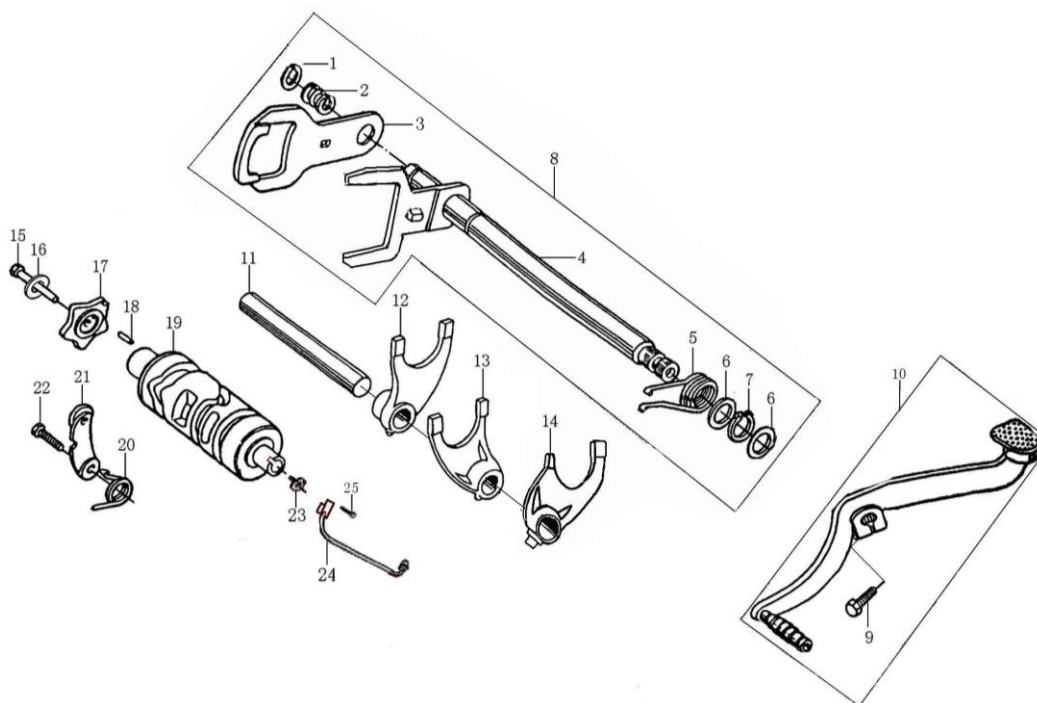
序	件号	中文名称	英文名称	数量	单价
NO	Code name	Chinese	Description	Q'ty	¥ \$
1	93301-61521025000	CB125主轴止推垫圈 15.2×1×25	Washer 15.2×1×25	1	
2	23222-LA73-0002	CG200-A水冷主轴2档齿轮	Gear M-2	1	
3	23222-LA73-0005	CG200-A水冷主轴5档齿轮	Gear M-5	1	
4	23223-I006-0000	CB125脚齿轮隔圈17.3(20)×1.6×26	Washer	3	
5	23226-D002-0000	70主轴齿轮卡圈	Circlip	3	
6	23222-LA73-0004	CG200-A水冷主轴4档齿轮	Gear M-4	1	
7	23222-LA73-0003	CG200-A水冷主轴3档齿轮	Gear M-3	1	
8	23221-LA12-0000	CG200D-B主轴芯轴	Transmission main shaft	1	
9	93301-62020527000	CB125主轴止推垫圈 20.2×0.5×27	Washer 20.2×0.5×27	1	
10	23231-I042-0000	CG125D-B起动齿轮组合	Final shaft	1	
11	23225-I042-0000	CG125D-B主轴定位轴套	Bush	1	
12	93301-61521030000	CB125副轴止推垫圈 15.2×1×30	Washer 15.2×1×30	1	
13	23248-I008-0000	CG125D副轴启动过桥齿轮	Gear	1	
14	23203-I008-0003	CG125D副轴启动齿轮衬套	Gear bush	1	
15	93301-51650524000	CG125D副轴止推垫圈 16.5×0.5×24	Washer 16.5×0.5×24	2	
16	23242-LA73-0001	CG200-A水冷副轴1档齿轮	Gear C-1	1	
17	23203-I008-0001	CG125D副轴1档齿轮衬套	Gear bush	1	
18	23242-LA73-0003	CG200-A水冷副轴3档齿轮	Gear C-3	1	
19	23242-LA73-0004	CG200-A水冷副轴4档齿轮	Gear C-4	1	
20	23241-I008-0000	CG125D-1#五档副轴芯轴	Transmission counter shaft	1	
21	23242-LA73-0005	CG200-A水冷副轴5档齿轮	Gear C-5	1	
22	23242-LA73-0002	CG200-A水冷副轴2档齿轮	Gear C-2	1	
23	93301-52001027000	CG125D副轴止推垫圈 20×1×27	Washer 20×1×27	1	
24	23401-I008-0008	CG125D主动链轮(428.15)	Drive sprocket	1	

传动机构 TRANSMISSION MECHANISM(2)



序	件号	中文名称	英文名称	数量	单价	
NO	Code name	Chinese	Description	Q'ty	¥	\$
25	23402-I006-0000	CB125脚主动链轮固定板	Fixing plate,drive sprocket	1		
26	B057830006001070B	GB5783螺栓M6×10(白锌)	Bolt M6×10	2		
27	93301-51211018000	CG125D启动轴垫圈12.1×1×18	Washer 12.1×1×18	1		
28	B0089401160000000	GB894.1挡圈16	Circlip 16	1		
29	2112B-I008-0000	CG125D棘轮导板组合	Guide plate assy	1		
30	21119-I008-0000	CG125D启动棘轮弹簧	Spring,kick starting ratchet wheel	1		
31	93301-51611024000	CG125D启动轴垫圈16.1×1×24	Washer 16.1×1×24	1		
32	21118-I008-0000	CG125D启动棘轮	Starting ratchet	1		
33	91402-I008-0000	CG125D启动轴弹性挡圈φ18.5×1.2×φ22.4	Circlip φ18.5×1.2×φ22.4	1		
34	93301-62000527000	CG125启动轴垫圈20×0.5×27	Washer20×0.5×27	1		
35	21117-I008-0000	CG125D启动齿轮	Gear,kick starter	1		
36	21107-I008-0001	CG125D启动轴芯轴(油封光杆L:60)兰白锌	Pivot,kick starting shaft	1		
37	21104-I008-0000	CG125D启动轴弹簧座	Seat,spring,kick starting shaft	1		
38	21106-I008-0000	CG125D启动轴复位弹簧	Return spring,kick starting shaft	1		
39	21111-I008-0000	CG125D启动轴轴环	Collapsible	1		
40	93301-51611030000	CG125D启动轴垫圈16.1×1×30	Washer 16.1×1×30	1		
43	23240-LA12-0000	CG200D-B副轴组合	Coutershaft transmission	1		
44	23200-LA12-0000	CG200D-B主副轴组合	Transmission,counter shaft	1		
45	23220-LA12-0000	CG200D-B主轴组合	Main shaft,transmission	1		

变速机构 GEARSHIFT MECHANISM



序 NO	件号 Code name	中文名称 Chinese	英文名称 Description	数量 Q'ty	单价 ¥	单价 \$
1	B0089401120000000	GB894. 1挡圈12	Circlip12	1		
2	24303-I008-0000	CG125D换档板弹簧	Spring,gearshift platre	1		
3	24319-I008-0000	CG125D换档板(五档循环档)	Gearshift plate	1		
4	24301-I008-00000C	CG125D换档轴组合	Gearshift shaft comp	1		
5	24302-I008-0000	CG125D换档回位弹簧	Return spring	1		
6	93301-51400520000	CB125脚换档臂垫圈14×0.5×20	Washer 14×0.5×20	2		
7	B0089401140000000	GB894. 1挡圈14	Circlip 14	1		
8	24300-I008-00010C	CG125D换档臂部件(五档循环档 彩锌)	Gearshift lever comp	1		
9	B057830006002070G	GB5783螺栓M6×20(白铬)	Bolt M6×20	1		
11	24107-I006-0000	CB125脚拨叉轴	Shaft,gearshift fork	1		
12	24104-I006-0000	CB125脚副轴右拨叉	Right fork,countershaft	1		
13	24106-I006-0000	CB125脚主轴拨叉	Center fork,mainshaft	1		
14	24105-I006-0000	CB125脚副轴左拨叉	Left fork,countershaft	1		
15	91126-I008-00000B	CG125D五星板紧固螺栓(白锌)	Bolt	1		
16	B0009300060000000	GB93弹垫6	Washer φ6	1		
17	24202-I008-0600	CG125D五星板(五档循环档)	Stopping plate	1		
18	B0011901040100000	GB119. 1销4×10	Pin4×10	1		
19	24213-I008-0600	CG125D变速鼓(五档循环档)	Gearshift drum	1		
20	24304-I006-0200	CB125脚-3#定位板弹簧	Spring ,locating plate	1		
21	2434A-I008-0400	CG125D-2#定位板组合	Locating plate assy	1		
22	91115-I008-00000B	CG125D档位定位板螺栓(五档循环档 白锌)	Bolt fixing plate	1		
23	88004-I008-0100	CG125D-2#档显动触头	Contact,cearindication	1		
24	88031-I008-150045	CG125D-2A#档显线束	Gearshift switch comp	1		
25	B008190106002020B	GB819. 1螺钉M6×20(白锌)	Screw M6×20	1		

车架、车架附件、消声器 Fram and Accessories, Muffler



序	件号	中文名称	英文名称	数量	单价	
NO.	Code name	Chinese	Description	Q'ty	¥	\$
1	02010430	电瓶盒 (带盖)	Battery box	1		
2	02010399-250CHB	车架	Chassis	1		
3	07010045	前减震 (左)	Front shock absorber (left)	1		
4	07010046	前减震 (右)	Front shock absorber (right)	1		
5	02050007	前搁脚组合 (左)	Front separate the unit (left)	1		
6	02050008	前搁脚组合 (右)	Front separate the unit (right)	1		
7	01050020	(排气)消声器总成	Exhaust muffler unit	1		
8	07020013	单撑弹簧	side stand spring	1		
9	02010400	单撑	side stand spring	1		
10	01990026	CG石棉垫 $\phi 30 * \phi 40 * 5$	CG Asbestos seat	1		
11	02010409	前标牌支架	Down yoke plate decorating	1		
12	12990008	里程线线夹	Speedmeter cable assy support	1		
13	02010413	后平叉	Rear Fork	1		

车架附件 Frame Accessories



序 NO.	件号 Code name	中文名称 Chinese	英文名称 Description	数量 Q'ty	单价	
					¥	\$
1	02010408	副轴加强板	The countershaft strengthens	1		
2	02010482	仪表支架	Instrument support	1		
3	02010402	尾灯支架（后牌照支架）	Rear registration plate support	1		
4	02010403	后泥板左支架	Rear fender support (left)	1		
5	02010404	后泥板右支架	Rear fender support (right)	1		
6	02010410	后碟刹泵支架	Rear brake disc support	1		
7	02010406	油管夹（碟刹管线夹）	Front brake tubing clamp	1		
8	02010428	发动机上吊板	Engine upper hangerplate	2		
9	02010407	前搁脚支架	Front separate the foot support	1		
10	12010007	油管夹8.5	Tubing cap 8.8	4		
11	02010422	变档杆组件	Shift component level	1		
12	02010414	导链轮支架	Chain sprocket Bracket	1		
13	02010415	消声器支架	Muffler Bracket	1		
14	020104201	侧板后支架左	Rear Side Fairing Bracket	1		
15	020104202	侧板后支架右	Rear Side Fairing Bracket	1		
16	02010481	二次补气支架	Air Injection Device Bracket	1		
17	02010419	侧板连接螺柱	Side Fairing Connecting bolt	4		
18	02010451	废气管接头	Exhaust pipe Ender	1		
19	12990010	电瓶线线扣	Battery Cable Clip	1		
20	07020040	导链轮扭簧	Sprocket Spring	1		

方向把、方向柱 Steering Stem



序	件号	中文名称	英文名称	数量	单价	
NO.	Code name	Chinese	Description	Q'ty	¥	\$
1	02030097	方向把	Handbar	1		
2	01040014	空滤器 (42mm)	Air filter (42mm)	1		
3	03040020	前标牌	Down yoke plate decorating	1		
4	06990026	导链轮	Leadingchain wheel	1		
5	10020031	左把套	Left grips	1		
6	10020030	油门把套	Throttle grips	1		
7	10060007	油开关	Oil tank switch	1		
8						
9	02010401	调链器	Transfer chain device	2		
10		前转向灯衬套	Front steering lamp bush	2		
11	02010421	车架前装饰板	Decorating cover support	1		
12	02030095	方向柱总成 (下联板立管组合)	Direction column unit	1		
13	12030040	钢碗	Steel bowl	1		
14	01020011	闪光器	Flasher	1		
15	06030002	汽油管4.5*8.5	Oil tube	15CM		
16	02040059	链条(428H/136节)	Chain (428H/136 node)	1		
17	02030096	上联板	Upper Connection Plate	1		
18	12990009	油管线夹 (汽油管线扣)	Fuel pipe Clip	1		
19	07010047	后减震	Rear Shock	1		

油箱、覆盖件、橡胶件 Gas Tank, Body Covering



序	件号	中文名称	英文名称	数量	单价	
NO.	Code name	Chinese	Description	Q'ty	¥	\$
1	03010174	坐垫油箱连接板	Cushion bottom	1		
2	03010175	左侧板	Left pleuron	1		
3	03010176	右侧板	Right pleuron	1		
4	05030014	油箱	Oil tank	1		
5	03990023	前轮挡泥板	Front wheel fender	1		
6	03010173	后挡泥板	Rear wheel fender	1		
7	06020027	脚踏杆橡胶 (小)	Footrest Rubber (small)	8		
8	06020026	脚踏杆橡胶 (大)	Footrest Rubber (Big)	8		
9	03050007	坐垫底板后段	Cushion Bottom (rear)	1		
10	05010022	坐垫	Cushion	1		
11	03010274	边盖 (发动机尾盖)	Engine tail-hood	1		
12	09050001	方反光片	Square Reflector	2		
13	02010416	后平叉固定螺柱左	L. Rear Fork bolt	1		
14	02010417	后平叉固定螺柱右	R. Rear Fork bolt	1		
15	02010418	固定螺母	Rear Fork Nut	2		
16	06020028	28闷盖	Rubber Cover 28	4		
17	06020015	橡胶管塞38	Plug 38	2		
18	06020082	橡胶垫	Rubber Washer kit	3		
19	06020030	30压块 (链条缓冲块)	Chain Tensioner 30	1		
20	06020029	38压块 (链条缓冲块)	Chain Tensioner 38	1		
21	06020018	工字型胶圈8*20*12	Rubber ring 8*20*12	2		
22	06990037	钢片装饰条	Steel Plate	41cm		
23	06020025	座垫橡胶	Cushion Rubber	5		
24	06020045	椭圆工字形橡胶圈	Rubber Washer kit	2		
25	09050001	圆反光片 (橙)	Round Reflector (Orange)	2		

碟刹、轮胎 Brake and Wheels



序	件号	中文名称	英文名称	数量	单价	
NO.	Code name	Chinese	Description	Q'ty	¥	\$
1	06010016	轮胎 (70/70-15)	Tyre (70/70-15)	1		
2	04020015	后碟盘	Rear brake disc	1		
3	04020014	前碟盘	Front brake disc	1		
4	02040060	链轮 (牙盘) 428-42齿	Chain wheel hub unit	1		
5	06010017	轮胎 (205/40-14)	Tyre (205/4.0-14)	1		
6	04010029	前碟刹总成	Front brake disc unit	1		
7	04010030	后碟刹总成	Rear brake disc unit	1		
8	10040025	计速器 (22: 10)	Speed record machine	1		
9	02040057	前轮毂 (1.6*15)	Front hub (1.6*15)	1		
10	02040058	后轮毂 (6.5*14)	Rear hub (6.5*14)	1		
11	190225	气门嘴	Cycle valve	2		
12	12990004	碟刹管线夹	Brake disc pipeline cap	3		
13	02990005	轴用卡簧 φ58	Clip 58	1		
14	190453	前刹上泵 (带手柄)	Brake Pump	1		
15	190490	本田王手柄	Hand Lever	1		
16	190461	前刹下泵 (带支架)	Front brake Caliper	1		
17	190462	前制动油管 (L:1120MM)	Front Brake Hose (1120mm)	1		
18	190463	后刹总泵	Rear Brake Pump	1		
19	190464	后制动泵 (带支架)	Rear Brake Caliper	1		
20	190465	后制动油管 (L:1480MM)	Rear Brake Hose(1480mm)	1		
21	190489	母盒液压开关线L: 550MM	Rear Brake Switch	1		
22	190041	A博士刹车片 (7006)	Brake Pads (7006)	2付		