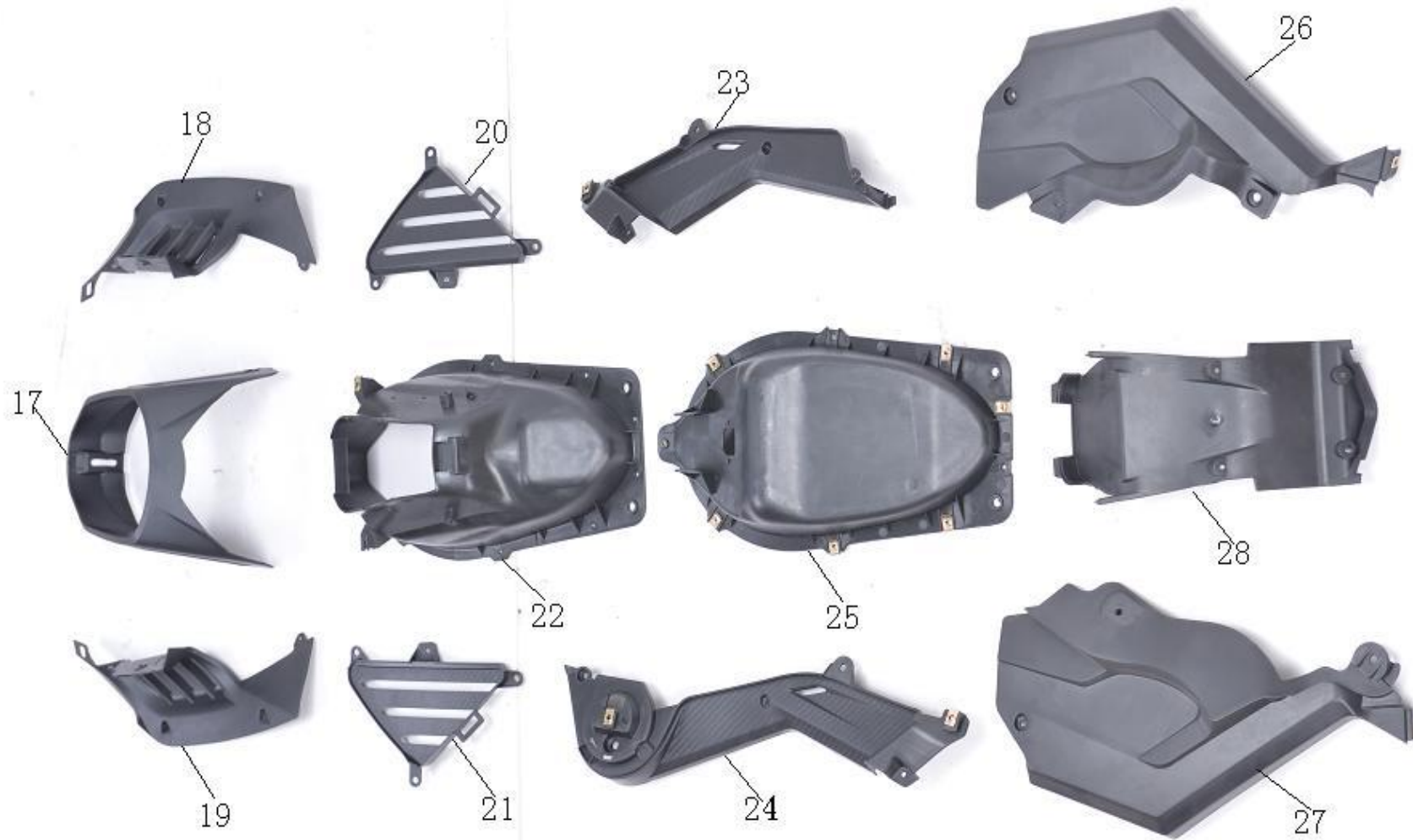


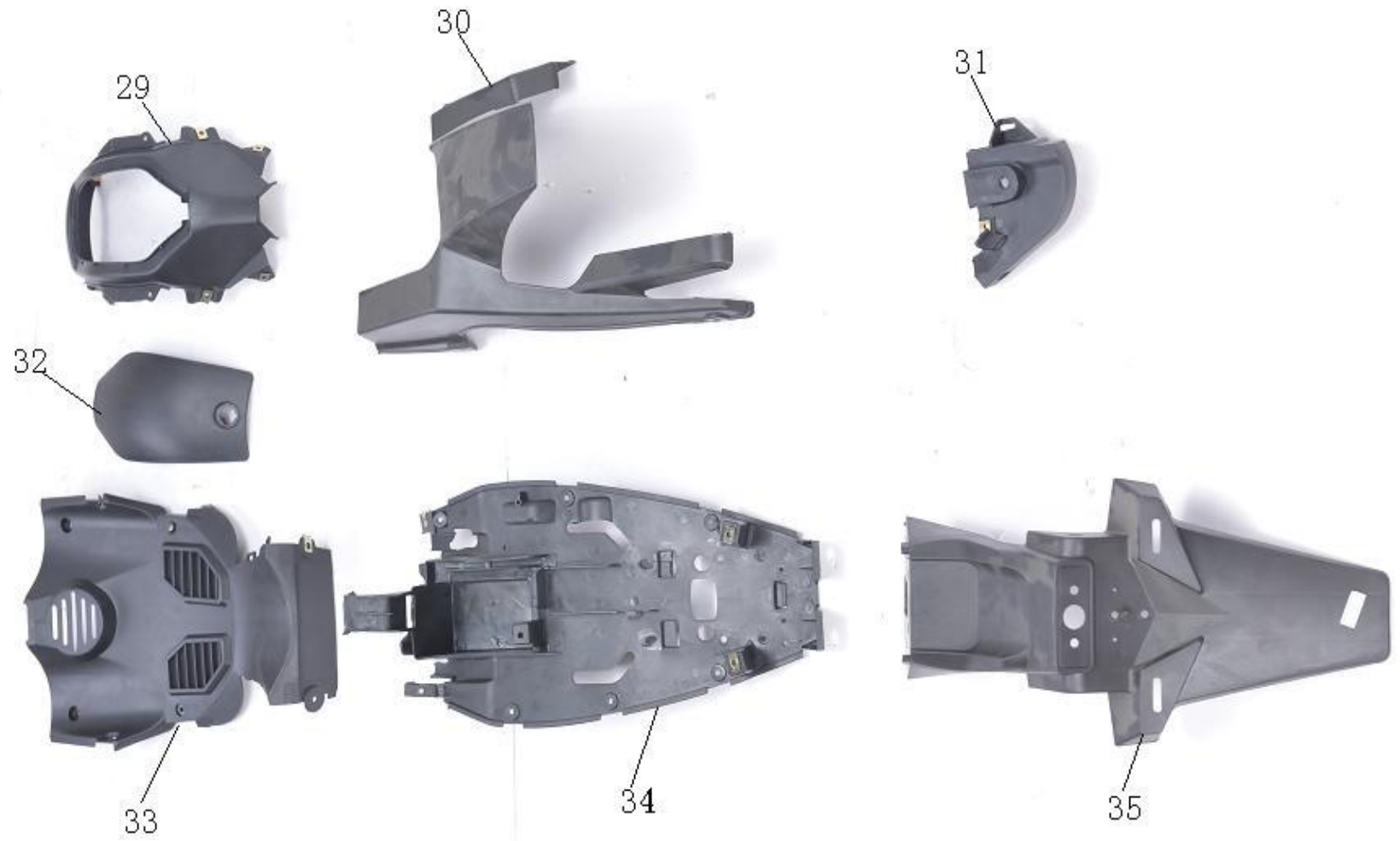
VENOM E-VADER 2000W 72V ELECTRIC MOTORCYCLE



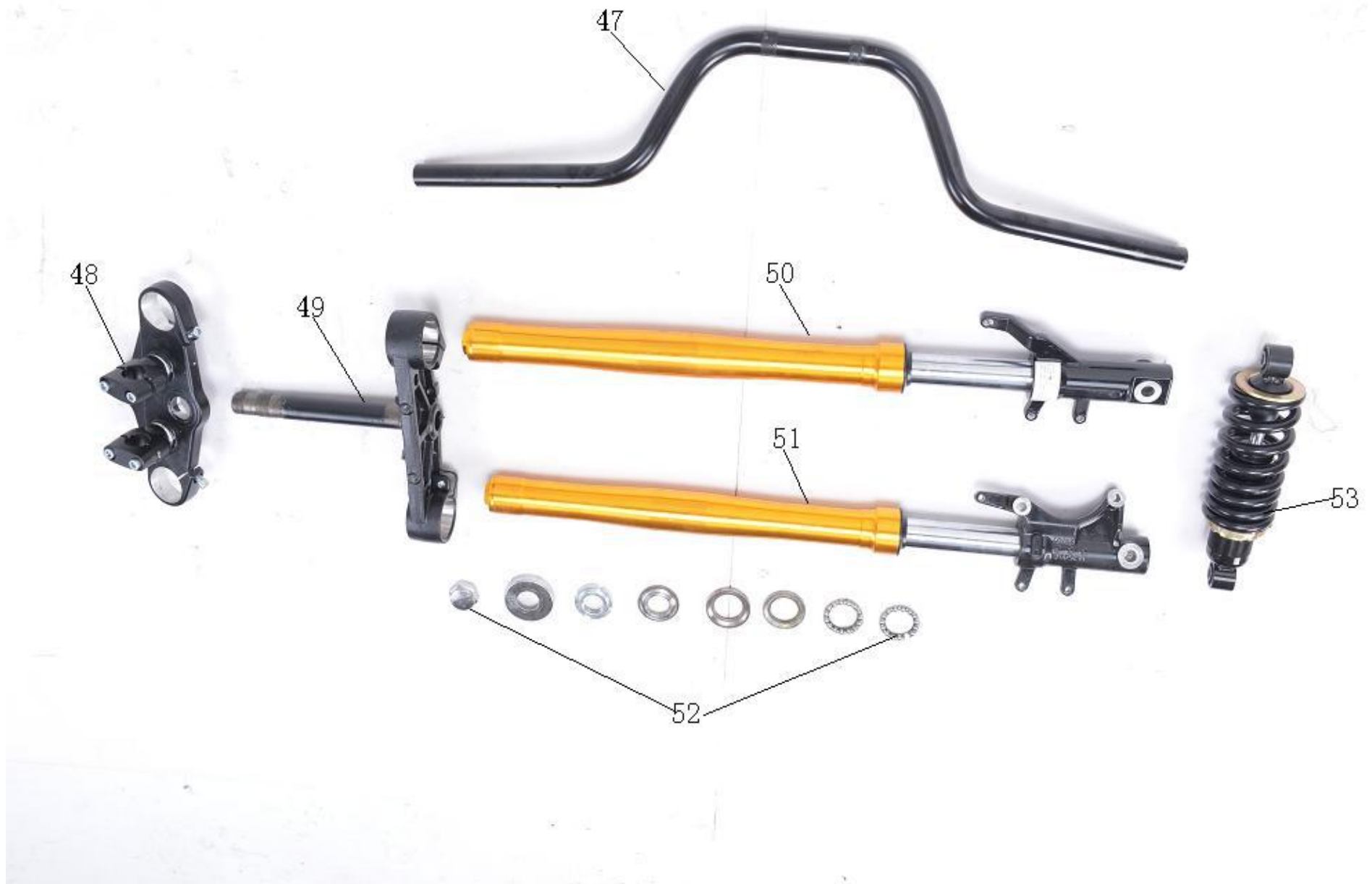
PARTS CATALOG

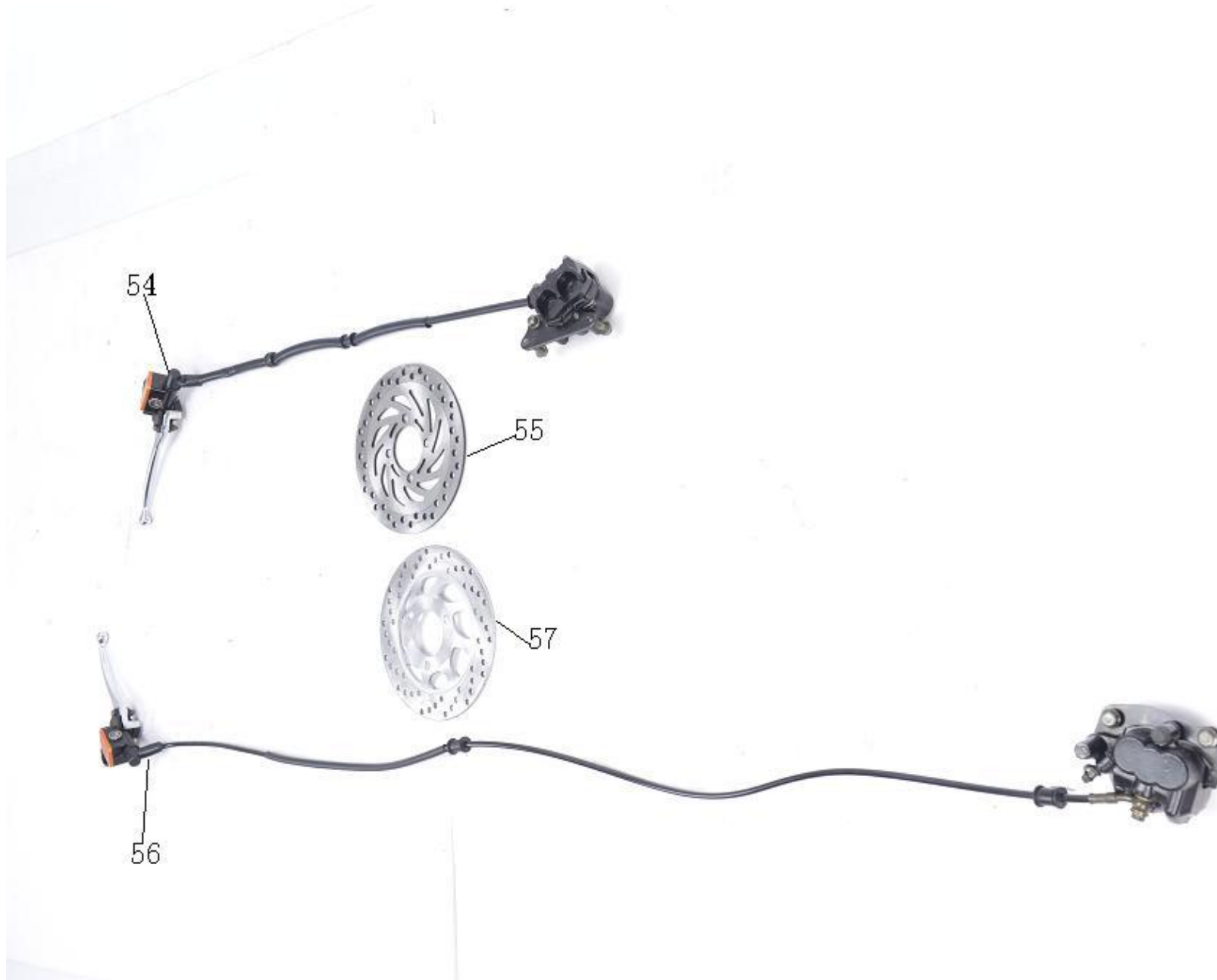




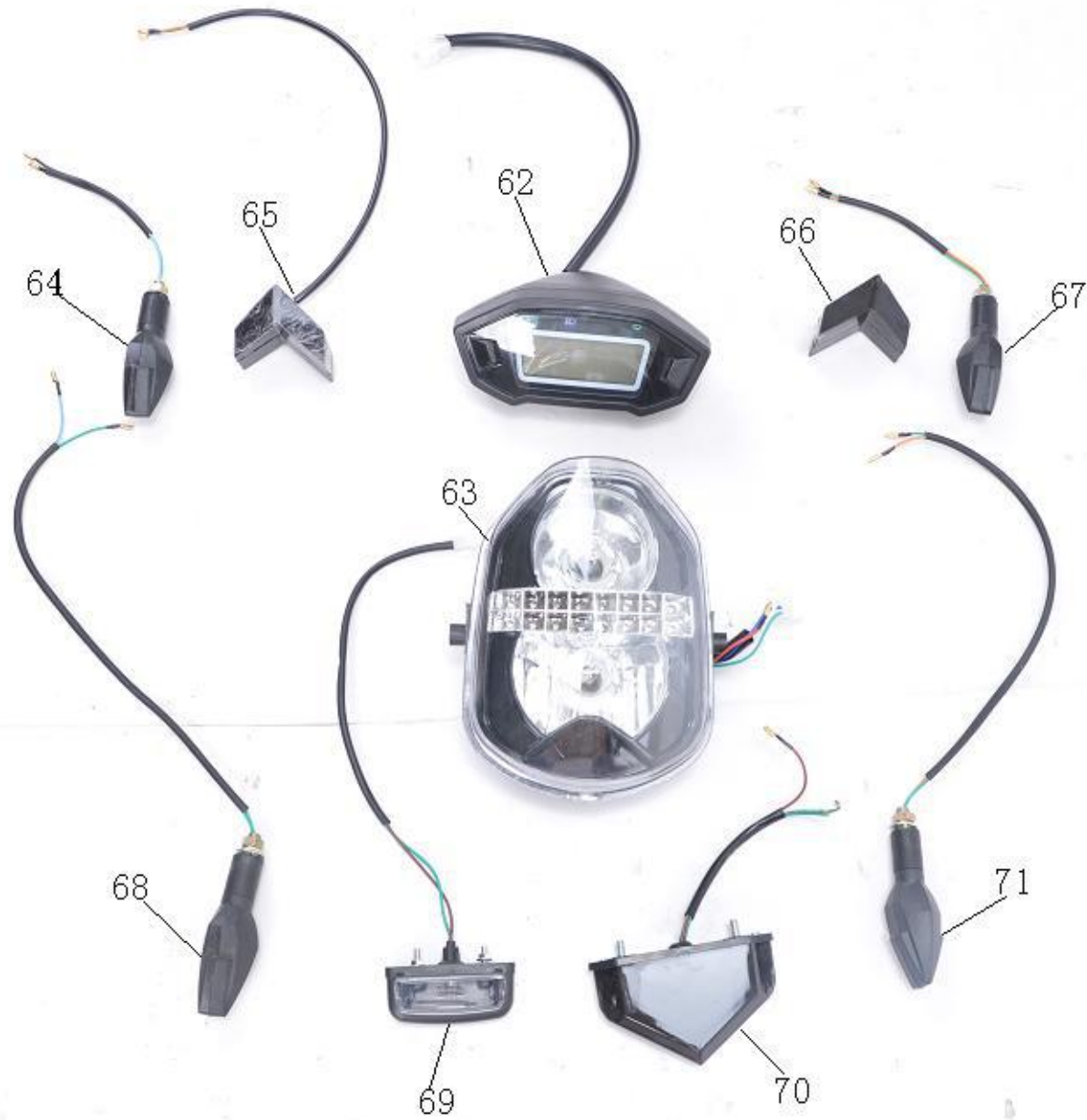






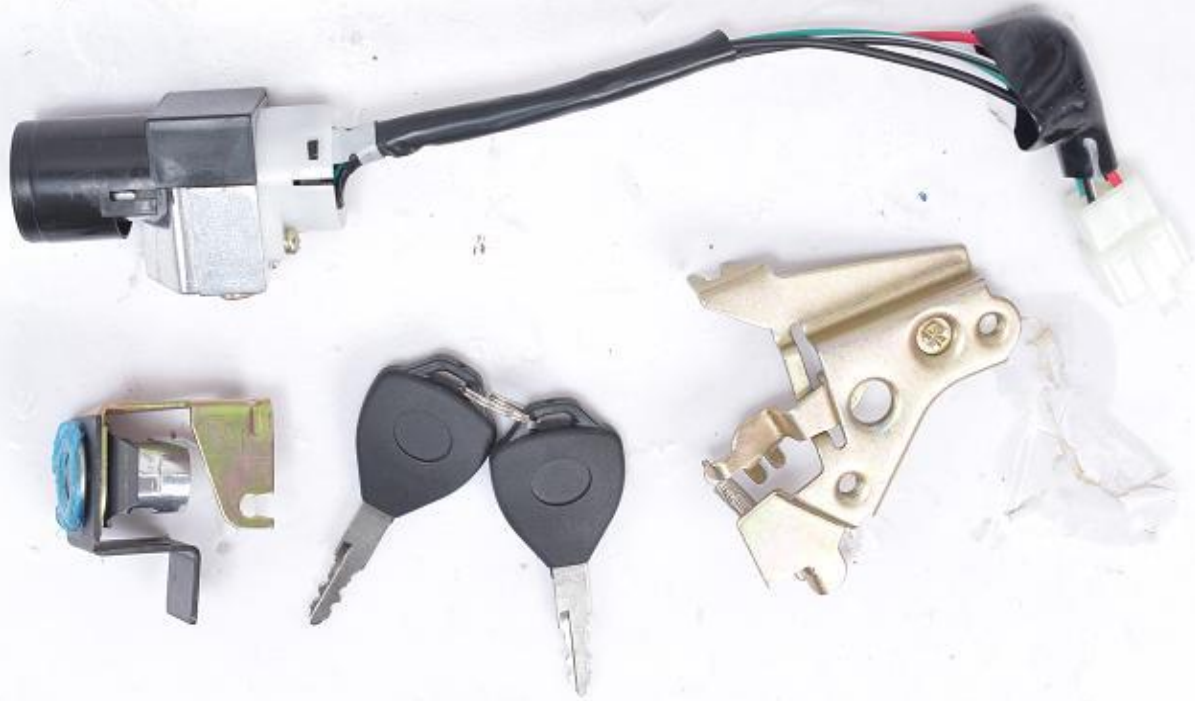




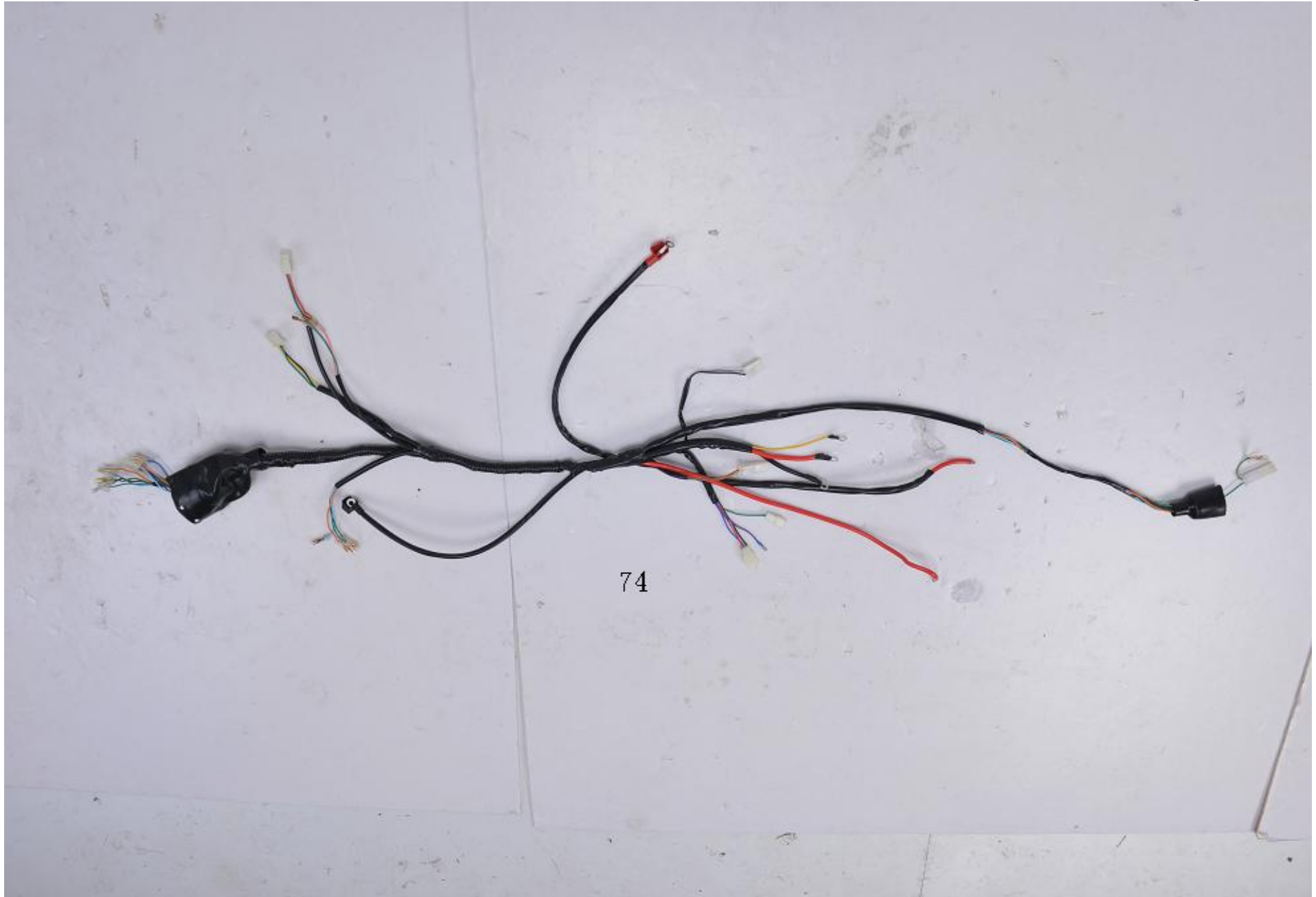




72



73



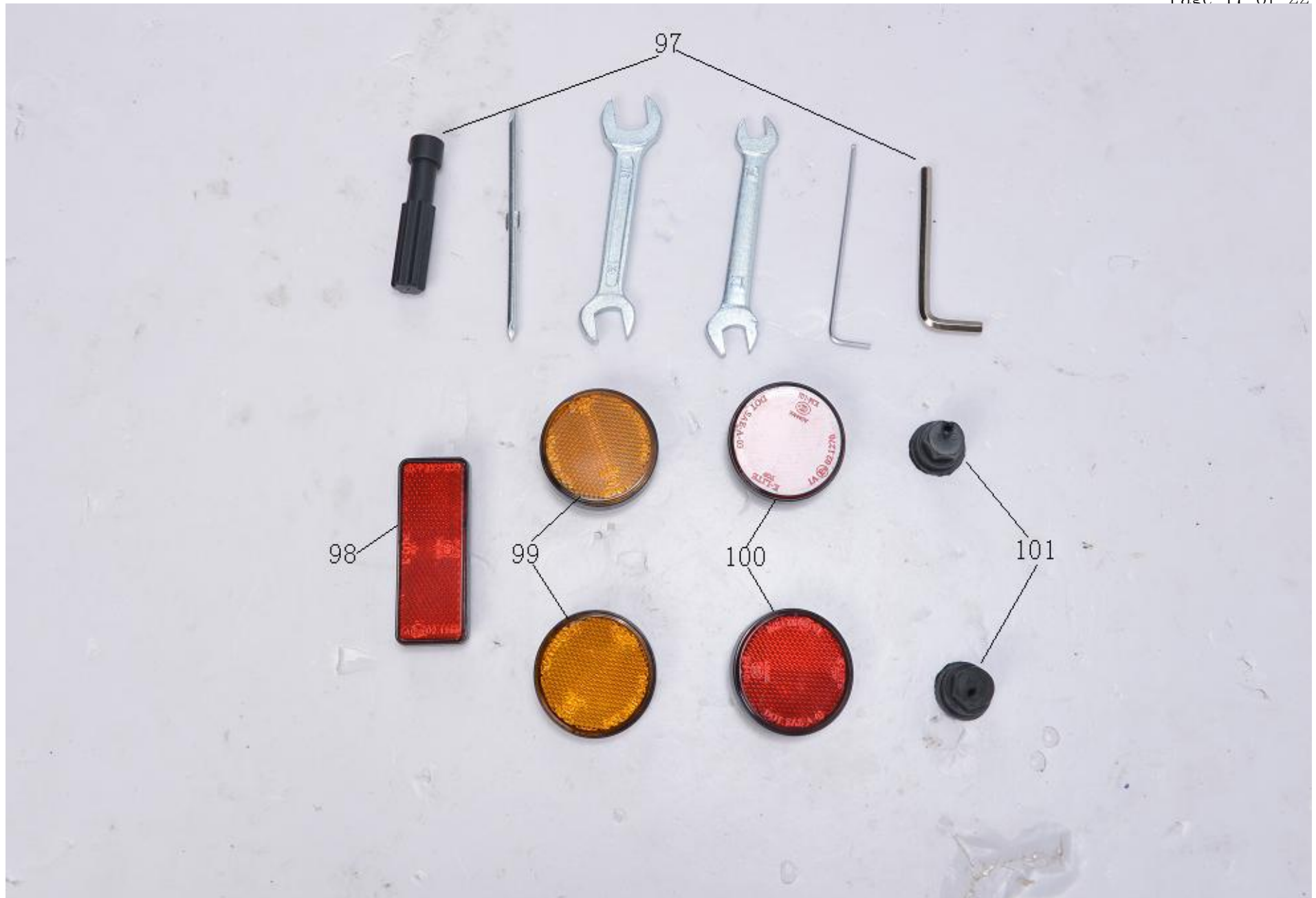
74











Ref. No	Part No.		Description
1	200578001		
2	200578002		
3	200578003		
4	200578004		
5	200578005		
6	200578006		
7	200578007		
8	200578008		
9	200578009		
10	200578010		
11	200578011		
12	200578012		
13	200578013		
14	200578014		
15	200578015		
16	200578016		
17	200578017		
18	200578018		
19	200578019		
20	200578020		
21	200578021		
22	200578022		
23	200578023		
24	200578024		

25	200578025		
26	200578026		
27	200578027		
28	200578028		
29	200578029		
30	200578030		
31	200578031		
32	200578032		
33	200578033		
34	200578034		
35	200578035		
36	200578036		
37	200578037		
38	200578038		
39	200578039		
40	200578040		
41	200578041		
42	200578042		
43	200578043		
44	200578044		
45	200578045		
46	200578046		
47	200578047		
48	200578048		
49	200578049		
50	200578050		

51	200578051		
52	200578052		
53	200578053		
54	200578054		
55	200578055		
56	200578056		
57	200578057		
58	200578058		
59	200578059		120/70-12
60	200000801		2000W
61	200578061		120/70-12
62	200578062		
63	200578063		
64	200578064		
65	200578065		
66	200578066		
67	200578067		
68	200578068		
69	200578069		
70	200578070		
71	200578071		
72	200578072		
73	200578073		
74	200578074		
75	200578075		
76	200578076		

77	200578077		
78	200578078		
79	200578079		
80	200000812		
81	200000813		
82	200000803		
83	200000811		
84	200000802		72V
85	200000810		
86	200000814		
87	200000809		
88	200000804		
89	200578089		
90	200578090		
91	200578091		
92	200578092		
93	200578093		
94	200578094		
95	200578095		
96	200578096		
97	200578097		
98	200000806		
99	200000807		
100	200000808		
101	200578101		
102	200000805		12V×6/72V