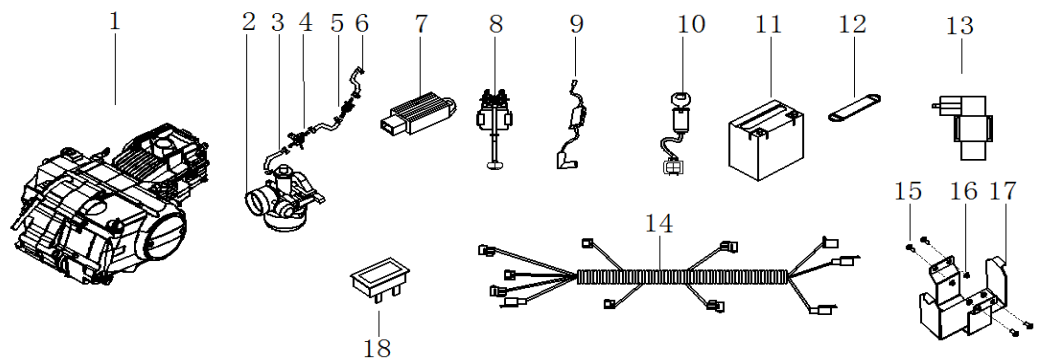


VENOM THUNDER 125CC DIRT BIKE PARTS CATALOG



INDEX

PAGE	DESCRIPTION
1	ENGINE ASSY./CARBURETOR/ ELECTRIC
2	HANDLE CONTROLLER
2	AIR FILTER/MUFFLER
3	FR.DAMPER
3	FRAME
4	FR.WHEEL/FR.BRAKE ASSY.
4	RR.WHEEL/RR.BRAKE ASSY.
5	HANDLE BAR/STEERING STEM
5	RR.SWING ARM
6	FOOT PEG/KICK STAND

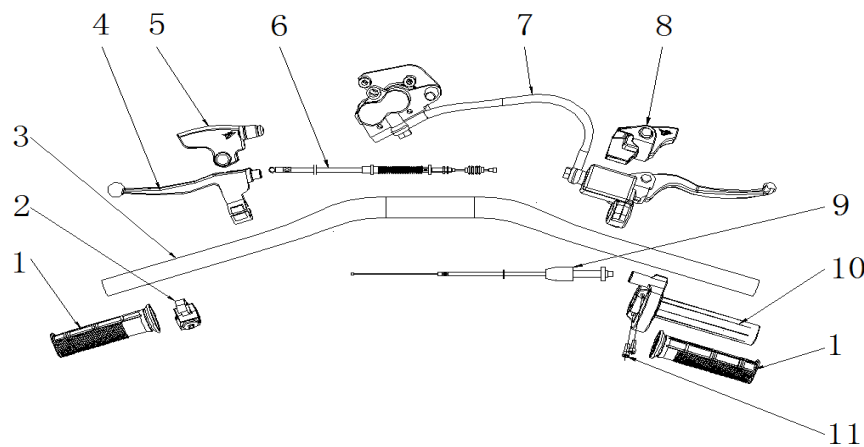


汽油机总成 /化油器/电器件ELECTRIC

ENGINE ASSY./CARBURETOR/ ELECTRIC

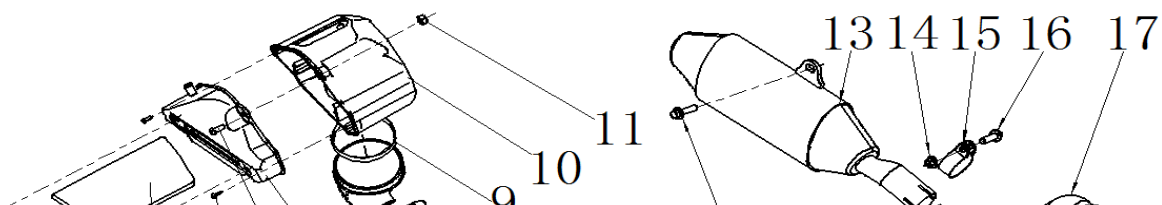
No.	Part No.	Type	English Description	Q'ty	Order Quantity
1	202037291001	37-3C 卧下电手_W120-2 铝缸153FMI缸标124cm3 无标 A7RTC火花塞	Engine	1	
2	301014158001	配37-3C车型125状态_油针PE26J-02.02.03-01(A5)	Carburetor	1	
3	312004001001	φ 4.5Xφ 10mm(1m=0.09公斤)	Fuel hose	0.45	
4	312005005001	29	Fuel tank switch	1	
5	312003005001	塑料_黄色纸芯式	Fuel filter	1	
6	319005003001	φ 9X8X0.8	Hose clamp	5	

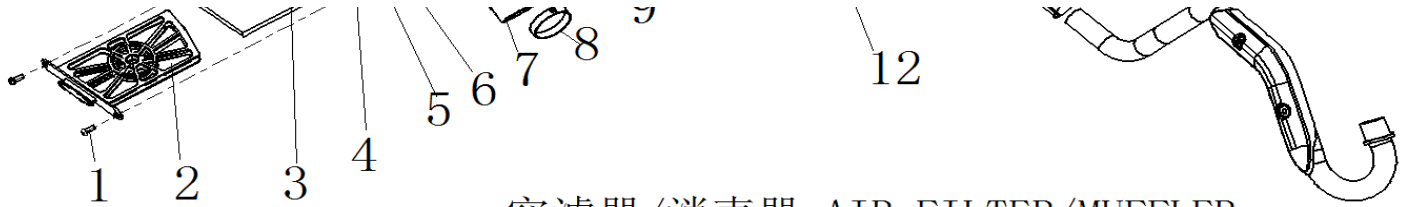
7	315002004003		DT07-001_70全波调压器_四孔插件_6.8插片	Voltage rectifier	1	
8	315005001003		AJ32-301AJ_通用	Relay	1	
9	315003029003		CG01-026L_12V_2.8插片2孔插件_红色硅胶高压包帽_配C7RTC	Coil assy, Ignition	1	
10	316008117001		带大灯开关功能-三档5线	Ignition key assy	1	
11	315006005001		12V5Ah_长宽高112X70X106_出口型_英文版(带使用说明)	Battery	1	
12	318005007001		宽25_长90_厚2MM_带半圆拉环	Battery tie	1	
13	315001016003		AC21-002J_12V_5孔插件-横插胶套	CDI assy	1	
14	315007292001		thunder系列_AGB35_电启动_带大灯计时器(空档启动)	Harness	1	
15	403004015001		M6X16mm_4.8级_圆头直径14mm(GB/T70.2)	hex bolt	4	
16	404004001001		M6(GB/T 6187.1)	Nut	4	
17	303046017002		thunder系列_AGB35_车型_铁	Battery case	1	
18	317003003001		RXF_型号: F-1	Timer	1	



HANDLE CONTROLLER

No.	Part No.	Type	English Description	Q'ty	Order Quantity
1	310003014006	AM款_弹性体TPE	Grip	1	
2	316004001001	35-圆形-750mm	switch on/off	1	
3	310001053050	37-7_低缩管变径_长770mm_配全包熄火开关_铁	handlebar	1	
4	310009029001	37-5_安装孔到球头中心度130mm_铝把_配螺丝_上下座	clutch lever	1	
5	310018008002	RXF-带商标_厚度1.5mm_橡胶	clutch lever dust cover	1	
6	310015029001	长900mm_露71mm_双截型	clutch cable	1	
7	308001083001	37-3C- (17/14轮_配770mm前减震)- 大油泵配大双泵卡钳-	front disk brake assy.	1	
8	310018007002	RXF-带商标_厚度1.5mm_橡胶	brake lever dust cover	1	
9	310013041001	长810mm_露124±1mm_配铁螺母_配698Z轴承油门座和 PZ26三国化油器	throttle cable	1	
10	310007014001	配22mm方向把_M10油门线安装孔_铝	throttle housing sets	1	
11	403005020002	M5X16mm_4.8级(GB/T70.1)	hex bolt	2	

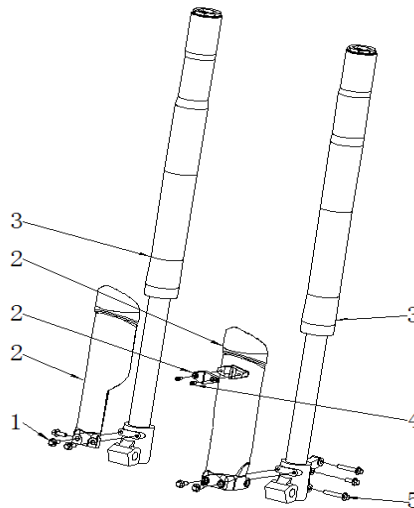




空滤器/消声器 AIR FILTER/MUFFLER

AIR FILTER/MUFFLER

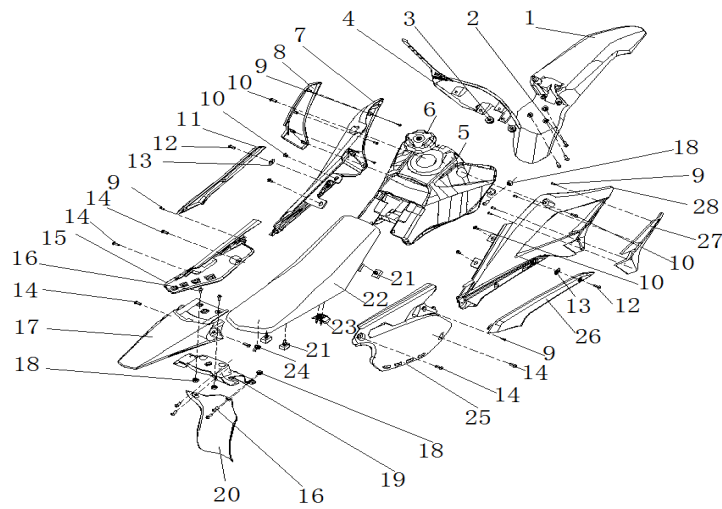
No.	Part No.	Type	English Description	Q'ty	Order Quantity
1	403005019003	M5X14mm_4.8级(GB/T70.1)	bolt	2	
2	609024007001	thunder系列_AGB35_30g	air cleaner cover	1	
3	301032012001	AGB35-海绵155X90X10	air cleaner element	1	
4	403015005003	ST4.2X12mm_4.8级	bolt	2	
5	403004021002	M6X30mm_4.8级(GB/T70.2)	bolt	1	
6	301025003001	thunder系列_AGB35_95g	air cleaner left cover	1	
7	301033011001	AGB35-YL三元乙丙橡胶_黑色	connecting pipe		
8	301034006001	38-57	air cleaner hoop	1	
9	301034010001	φ 80-φ 100mm	air cleaner hoop	1	
10	301026003001	thunder系列_AGB35_56g	air cleaner right cover	1	
11	404004001001	M6(GB/T 6187.1)	Nut	1	
12	401001049001	M8X20mm_8.8级(GB/T 5789)	hex bolt	1	
12	405006050005	φ 8X φ 22X2	washer	1	
13	302003142001	thunder系列_AGB35_附件_排气管与消声器连接密封垫_	muffler	1	
14	401001053001	M8X30mm_8.8级(GB/T 5789)	hex bolt	1	
15	302002091001	thunder系列_AGB35_车型_带接口垫	exhaust pipe	1	
16	404008004001	M6X22mm(GB/T 923)	hex domed cap nut	2	
17	302008007001	37-5	muffler hoop	1	



FR.FORK

No.	Part No.	Type	English Description	Q'ty	Order Quantity
1	401001007004	M6X16mm_8.8级(GB/T 5789)	hex bolt	6	
2	304010076004	37-7	front fork cover	1	
3	305001067002	37-3C_S01(Q3J)_不可调_770mm_45/48(配14/17轮状态)	front fork	1	

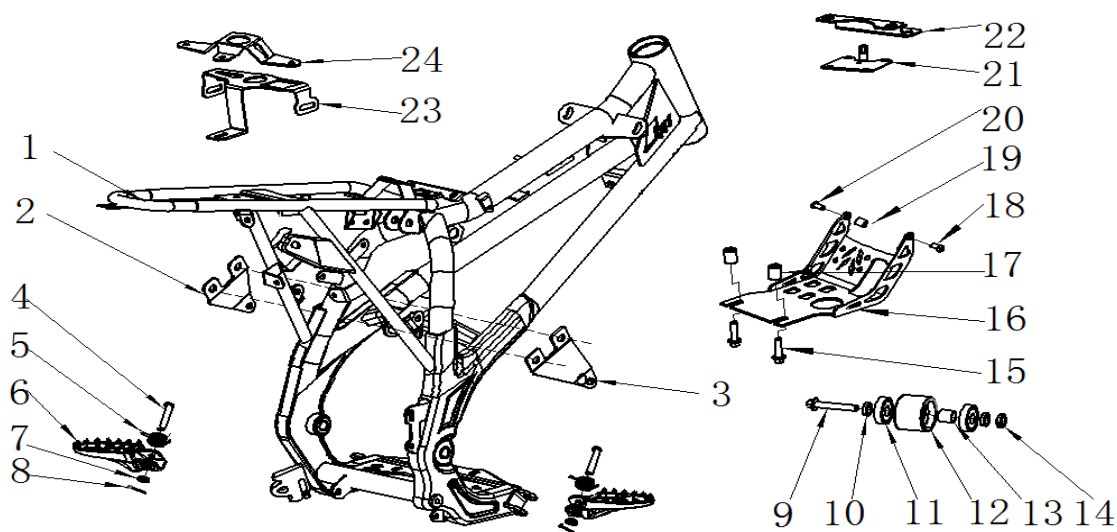
4	403015005001		ST4.2X12mm_4.8级	crossed screw	2	
5	401001020001		M6X40mm_8.8级(GB/T 5789)	hex bolt	4	



SEAT / PLASTICS

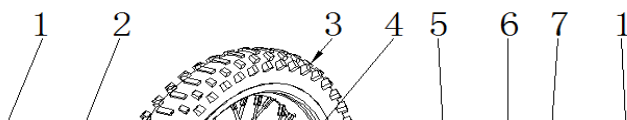
No.	Part No.	Type	English Description	Q'ty	Order Quantity
1	304015022001	thunder系列_AGB35_272g	Front Fender	1	
2	401001007001	M6X16mm_8.8级(GB/T 5789)	Bolt	3	
3	304013022002	CRF110款	Number Plate	1	
4	319016008001	φ 7.2X φ 15X6.2mm橡胶	rubber cushion sleeve	2	
5	312001008001	37TTR-带油箱盖	Fuel tank	1	
6	312002030001	Y系RFZ250CC-塑料	fuel tank cap	1	
7	304002008001	thunder系列_AGB35_272g	Left front side plastic	1	
8	301055002001	thunder系列_AGB35_43g	L..Plastic For Gas tank	1	
9	403015005001	ST4.2X12mm_4.8级	Bolt	4	
10	403004008007	M6X10mm_4.8级_圆头直径14mm(GB/T70.2)	bolt	6	
11	301051002001	thunder系列_AGB35_46g	Left middle plastic	1	
12	403004004002	M5X14mm	Bolt	2	
13	404009001002	M5	nut	2	
14	403004015001	M6X16mm_4.8级_圆头直径14mm(GB/T70.2)	Bolt	7	
15	301053002001	thunder系列_AGB35_184g	Left rear side plastic	1	
16	403004016001	M6X20mm_4.8级_圆头直径14mm(GB/T70.2)	Bolt	6	
17	304009018001	thunder系列_AGB35_137g	Rear fender	1	
18	404004001001	M6(GB/T 6187.1)	nut	6	
19	304019012001	thunder系列_AGB35_125g	Rear fender	1	
20	304018014001	thunder系列_AGB35_70g	Rear fender	1	
21	313018001001	三元乙丙橡胶_黑色	Seat bottom plate cushion sleeve	4	
22	313001231001	thunder系列	Seat	1	
23	313019001001	三元乙丙橡胶_黑色	Cushion limit cushion sleeve	1	
24	404020002001	M8	nut	1	
25	301052002001	thunder系列_AGB35_196g	Right rear side plastic	1	
26	301050002001	thunder系列_AGB35_46g	Right middle side plastic	1	
27	301054002001	thunder系列_AGB35_43g	R..Plastic For Gas tank	1	

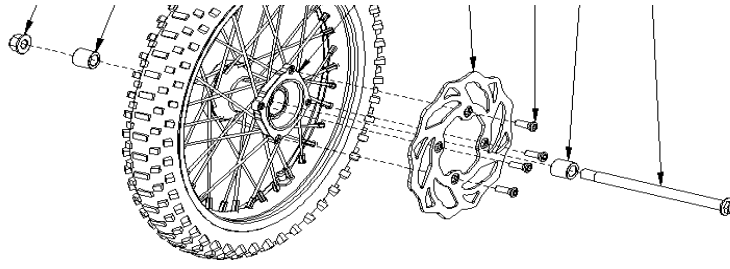
28	304003009001		thunder系列_AGB35_272g	Right front side plastic	1	
----	--------------	--	----------------------	--------------------------	---	--



FRAME

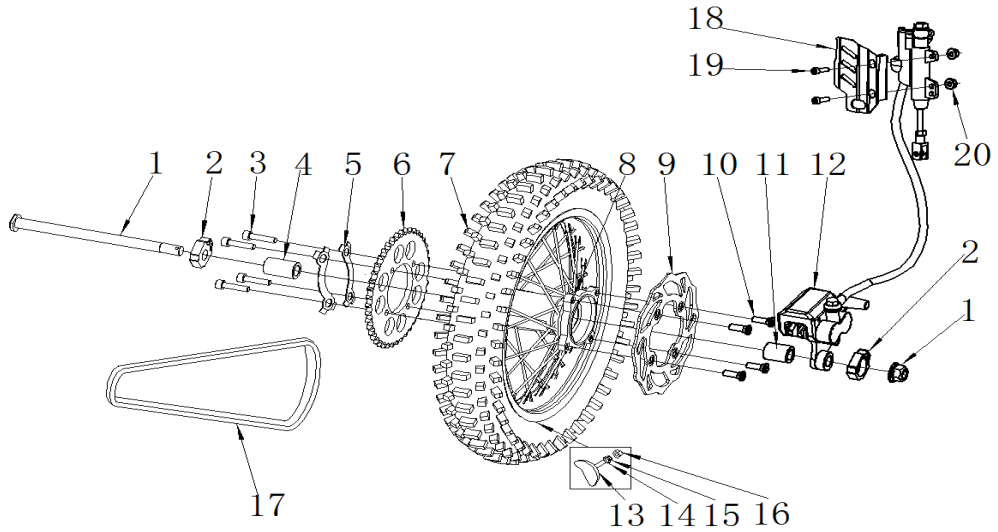
No.	Part No.	Type	English Description	Q'ty	Order Quantity
1	303001452002	thunder系列_AGB35_车型_铁	Frame	1	
2	601015003052	thunder系列_AGB35_车型_铁	Left engine bracket	1	
3	601015002051	thunder系列_AGB35_车型_铁	Right engine bracket	1	
4	407006002003	Φ 8X38mm-孔位34 (GB/T882-1986)	Foot peg pin	2	
5	319007012002	37-5_3圈_内径Φ 18mm_弹簧钢丝直径Φ 2.0mm	Foot peg spring	1	
6	303010003101	37-5 安装孔为Φ 8.2mm 安装头部开档尺寸为22mm(2014)	Foot peg	1	
7	405006047001	Φ 8X Φ 16X1	Washer	2	
8	407005004001	Φ 2.5X20mm(GB/T 91-2000)	Split pin	2	
9	401001034002	M8X1.25X50-F_8.8级(GB/T5789)	Bolt	1	
10	319001082001	Φ 8.5X Φ 11X4mm_铁	Spacer	2	
11	409002023001	GB/T 276_608ZZ(d=8,D=22,B=7)	Deep groove ball bearing	2	
12	311005001001	通用	chain roller (bottom)	1	
13	319001115001	Φ 9X Φ 12X12mm_铁	Spacer	1	
14	404006005002	M8[GB/T 889.1-2000]	Nut	1	
15	401001057001	M8X40mm_8.8级(GB/T5789)	Bolt	2	
16	303049018050	37-9_90/110-电启动_铁	Engine bottom plate	1	
17	319001088001	Φ 8.5X Φ 16X20mm_铁	Spacer	2	
18	401001009005	M6X20mm_8.8级(GB/T 5789)	Bolt	1	
19	319001075001	Φ 7.5X Φ 12X24mm_铁	Spacer	1	
20	401001020001	M6X40mm_8.8级(GB/T 5789)	Bolt	1	
21	601067001002	37-3C	Front fender bracket	1	
22	303028220002	37-3C	Front headlight bracket (down)	1	
23	303028119001	37-3C	Front headlight bracket	1	
24	303028009002	37-3C_冷轧板_2.0mm	Number plate bracket	1	





FR.WHEEL/FR.BRAKE ASSY.

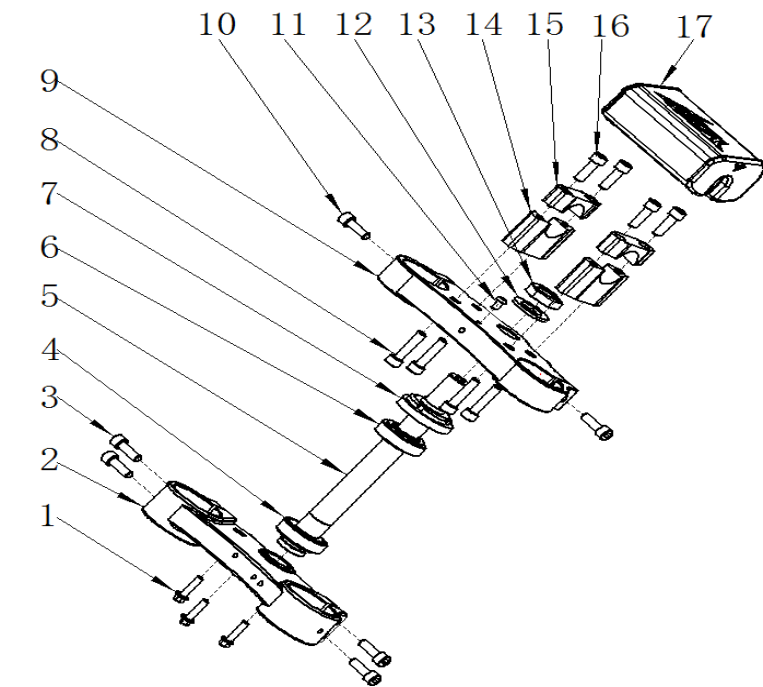
No.	Part No.	Type	English Description	Q'ty	Order Quantity
1	401002075006	M14X1.5X215mm (轴Φ15mm)_10.9级_带螺母 (GB/T 16674.2)	Bolt with nut	1	
2	319001179002	Φ15.5XΦ22X17.5mm	Spacer	1	
3	307005025001	深纹_70/100-17(内胎2.5/2.25-17)_YUANXING 商标	Tire with inner tube	1	
4	307003007006	37-5_F-M14-1.6X17(广东款)_轮毂内衬套内孔为15.5	Front wheel	1	
5	308002012001	37-3_内孔Φ76_外径Φ220_花盘	Front disc rotor	1	
6	403004026002	M8X14mm_台阶2mm(GB/T70.2)-广东款碟刹盘用	Bolt	4	
7	319001191001	Φ15.5XΦ22X28mm	Spacer	1	
	307010001001	通用	Front wheel anti-skid block	1	
	404001005001	M8_要求S=12mm(GB/T 6170)	Nut	1	
	405006048001	Φ8XΦ16X1.6(GB/T 97.1)	Washer	1	
	405003011002	Φ8(GB/T 93)	Washer	1	



RR.WHEEL/RR. BRAKE ASSY.

No.	Part No.	Type	English Description	Q'ty	Order Quantity
1	401002080001	M14X1.5X225mm_10.9级_带螺母(GB/T 16674.2)	Bolt with nut	1	
2	306006013004	37-5_铝_方形_Φ15.5mm_36*31mm	Chain adjuster	1	
3	401003005001	M8X25mm_8.8级(GB/T 5783)	Bolt	4	
4	319001260001	Φ15.5XΦ22X33.5mm	Spacer	1	
5	318017004002	定位孔直径92mm	Sprocket stop piece	2	
6	311003036004	定位直径76mm 428-41T_铁_(淬火处理)	Rear sprocket	1	
7	307005026001	深纹_90/100-14(内胎3.00/2.75-14)_YUANXING 商标	Tire with inner tube	1	
8	307004019005	F-M14-1.85X14(广东款)_带防滑块固定孔Φ8.5mm	Rear wheel	1	
9	308004010001	37-3_内孔Φ76_外径Φ190_花盘	Rear disc rotor	1	

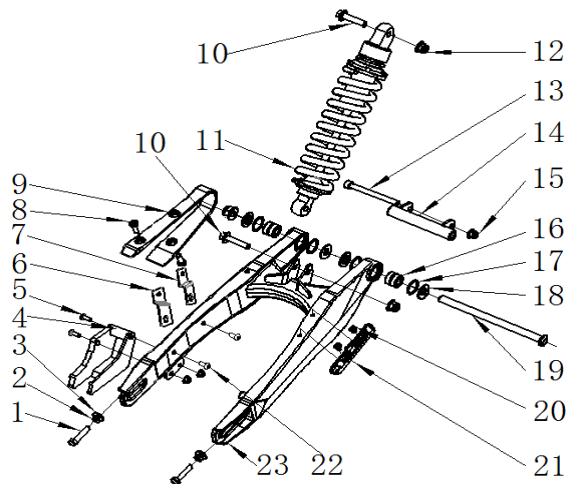
10	403004026002		M8X14mm_台阶2mm(GB/T70.2)-广东款碟刹盘用	Bolt	4	
11	319001188002		Φ 15.5XΦ 22X24mm	Spacer	1	
12	308003092002		37-8_大双泵黑色_支架黑色_后碟刹上泵附件均为黑色	Rear disc capliper assy	1	
13	307010101001		通用	Rear wheel anti-skid block	1	
14	405006048001		Φ 8XΦ 16X1.6(GB/T 97.1)	Washer	1	
15	405003011002		Φ 8(GB/T 93)	Washer	1	
16	404001005001		M8_要求S=12mm(GB/T 6170)	Nut	1	
17	311001025002		428-110节_KMC	Chain	1	
18	304030001003		37-3_ABS材料	Rear brake pump cover	1	
19	401001020001		M6X40mm_8.8级(GB/T 5789)	Bolt	2	
20	404004001001		M6(GB/T 6187.1)	Nut	2	



HANDLE BAR/STEERING STEM

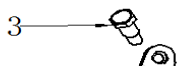
No.	Part No.	Type	English Description	Q'ty	Order Quantity
1	401001007001	M6X16mm_8.8级(GB/T 5789)	Bolt	5	
2	310022124001	37(样式同29)_铝锻造(不带螺栓)_方向柱安装孔Φ 25mm	Bottom clamp	1	
3	403005077001	M6X20mm	Bolt	4	
4	409003008001	RXF_GB/T 297-1994_320/23.5(非标)_	Tapered roller bearing	1	
5	608002013001	RXF37-7_内孔直径10mm_橡胶塞位置直径13mm_M22X1_长23	Steering column	1	
6	409003009001	RXF_GB/T 297-1994_320/22_(d=Φ22,D=Φ44,T=15,B=15,C=11.5)	Tapered roller bearing	1	
7	310024001002	M22_小锁母(M22X1XΦ 48盖内孔)	Nut	1	
8	401001057001	M8X40mm_8.8级(GB/T5789)	Bolt	4	
9	310021022001	37_铝锻造_减震固定孔径45mm(不带螺栓)方向柱安装孔Φ 22mm	Upper Clamp	1	
10	403005058003	M8X20mm_8.8级(GB/T70.1)	Bolt	2	
11	403004008002	M6X10mm_4.8级(GB/T70.2)	Bolt	1	
12	405006025001	Φ 22XΦ 36X1	Washer	1	
13	404012001001	M22mm_厚度10mm	Nut	1	

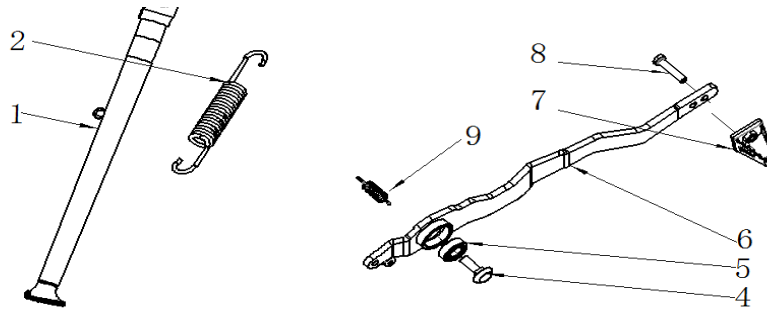
14	310020011001		37-5_60X22X54mm_内孔直径28mm_低配	Handlebar riser bottom	2	
15	310019016001		37-3_60X22X20mm_内孔直径28mm_低配	Handlebar riser upper	2	
16	403005061002		M8X25mm_8.8级/耐落胶(GB/T70.1)	Bolt	2	
17	304035008002		37-7_Volt商标	Handlebar foam	1	



RR.SWINGARM

No.	Part No.	Type	English Description	Q'ty	Order Quantity
1	401003012001	M8X60X1.25_8.8级_全螺纹(GB/T 5789)	Bolt	2	
2	404001005001	M8_要求S=12mm(GB/T 6170)	Nut	2	
3	405006048001	Φ 8X Φ 16X1.6(GB/T 97.1)	Washer	2	
4	306007005006	37-5_铁后叉	Chain guide	1	
5	401001046002	M8X16mm_8.8级(GB/T 5789)	Bolt	2	
6	303073012050	RXF_AGB37-7_铁板2.0mm	Chain cover fixing bracket	1	
7	303073011050	RXF_AGB37-7_铁板2.0mm	Chain cover fixing bracket	1	
8	403011020001	M6X10mm_4.8级(GB/T819.1)	Bolt	3	
9	304034004001	37-5	Chain guide for swing arm	1	
10	401001001001	M10X1.25X40-F_8.8级(GB/T5789)	Bolt	2	
11	306001108002	37-3C_(S03(H3D))单可调_L=350mm_不带摇架后平叉	Rear shock	1	
12	404005003001	M10X1.25(GB/T 6187.2)	Nut	2	
13	403005050001	M8X105mm_8.8级(GB/T70.1)	Bolt	1	
14	303017005002	37RFX-3C	Engine rear bracket	1	
15	404004002001	M8(GB/T 6187.1)	Nut	1	
16	409004001001	NA 6901 (d=12,D=24,B=22)	Bearing	2	
17	262002001001	23.5X2.65_G_GB/T 3452.1-1992	O-ring	4	
18	319002129001	Φ 12.5X Φ 28.5X2.5mm(台阶 Φ 17X0.5)_铁	Bearing spacer	4	
19	603001093001	M12X1.25X250mm_有效螺纹22mm_10.9级_带螺母	Bolt	1	
20	403011020001	M6X10mm_4.8级(GB/T819.1)	Bolt	2	
21	318001026002	APOLLO_材料ABS_16.5X125- Φ 6.6-55mm	Rear brake tube clip	2	
22	403004008007	M6X10mm_4.8级_圆头直径12mm(GB/T70.2)	Bolt	2	
23	306005154002	thunder系列_AGB35_后减震安装孔距113mm	Rear swing arm	1	

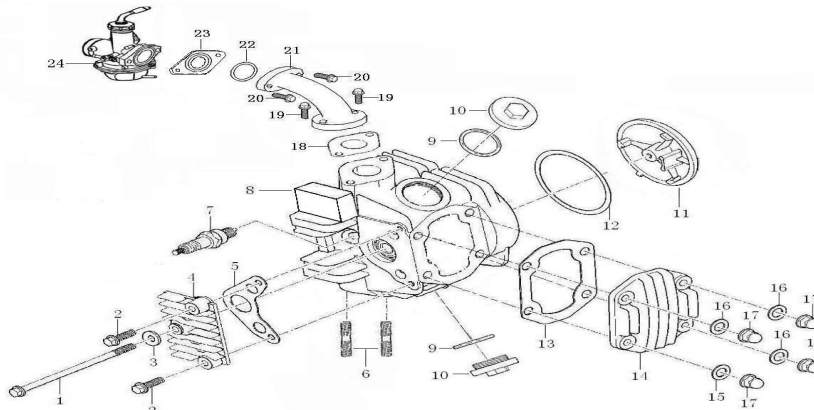




FOOT PEGS / SIDE STAND

No.	Part No.	Type	English Description	Q'ty	Order Quantity
1	303012259002	thunder系列_AGB35_(17/14)_焊缝管 ϕ 22X2.0mm长315mm	Kick Stand	1	
2	319007029001	总长115_中心距100_中心直径 ϕ 14_弹簧直径 ϕ 2.5	Kick stand Spring	1	
3	319011017001	M10X24.5mmX1.25(台阶 ϕ 12X12.5mm)_8.8级	Bolt	1	
4	401005004001	M10X1.5X25	Bolt	1	
5	409002021001	GB/T 276_6000RS(d=10,D=26,B=8)	Bearing	1	
6	310031069002	thunder系列_AGB35_板厚_6.0mm	Foot brake lever	1	
7	310032002002	Y系RFZ250CC_热轧板_6.0mm	Head of foot brake lever	1	
8	401001007001	M6X16mm_8.8级(GB/T 5789)	Bolt	1	
9	319007039002	总长45mm_弹簧直径 ϕ 1mm_有效圈数15圈	Foot brake lever spring	1	

S125-S Engine Part list

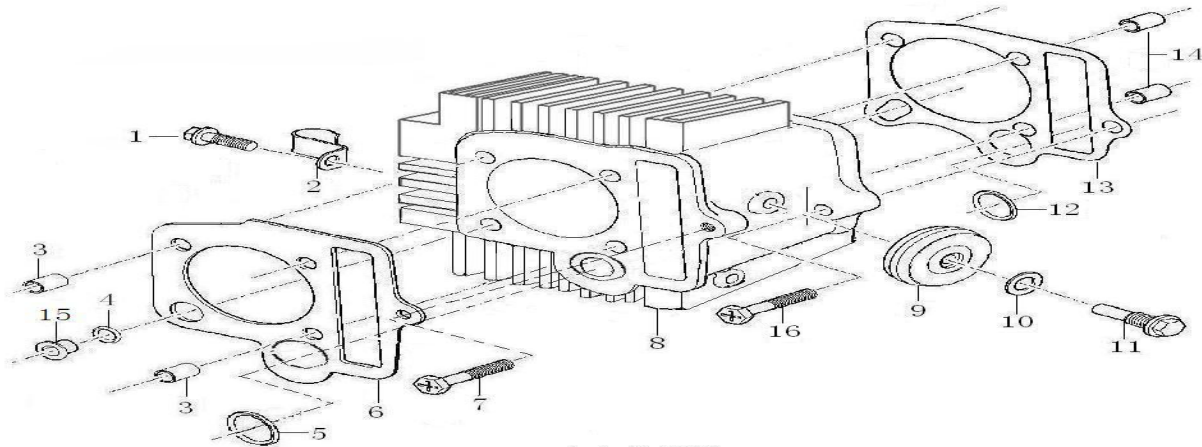


气缸头部件
CYLINDER HEAD ASSY

CYLINDER HEAD ASSY

No.	Part No.	English Description	quantity-per
1	251506001001	BOLT M6 \times 110	1
2	251652027001	BOLT M6 \times 25	2
3	251658026001	WASHER 6.5 \times 1 \times 12	1
4	251506006001	RIGHT COVER, CYLINDER HEAD	1
5	251505002001	GASKET, R. CYLINDER HEAD COVER	1
6	251179005001	BOLT M6 \times 32	2
7	252242001001	Sprk Plug	1
8	251636005001	CYLINDER HEAD ASSY	1
9	251002021001	O-RING 29.6 \times 3.2	2
10	251535005001	COVER, VALVE CHAMBER	2
11	251511008001	LEFT COVER, CYLINDER HEAD	1

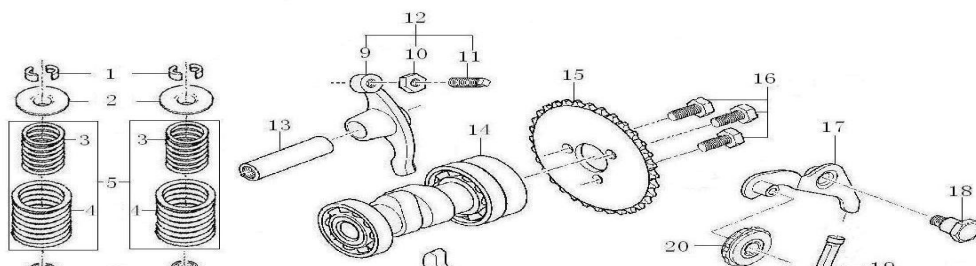
12	251513008001	GASKET, L, CYLINDER HEAD COVER			1
13	251501011001	GASKET, CYLINDER HEAD UPPER COVER			1
14	251509001001	UPPER COVER, CYLINDER HEAD			1
15	251658027001	WASHER 7.3×2.5×14			1
16	251658028001	WASHER 7.3×2.5×14			3
17	251176004001	NUT M7			4
18	251301003001	GASKET, INLET PIPE			1
19	251416023001	BOLT M6×20			2
20	251416024001	BOLT M6×28			2
21	251303004001	INLET PIPE			1
22	251002022001	O-RING 29×2.4			1
23	251210003001	GASKET, CARBURETOR			1

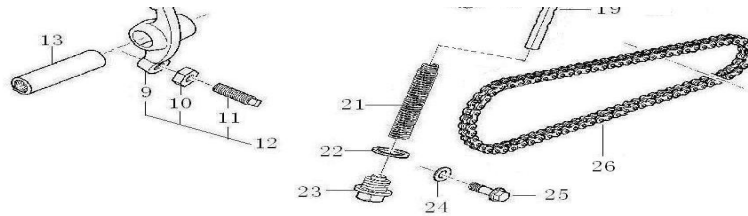
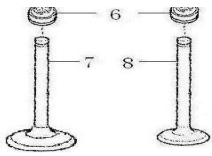


气缸体部件
CYLINDER ASSEMBLY

CYLINDER ASSEMBLY

No.	Part No.	English Description	quantity-per
1	251652028001	BOLT M6×16	1
2	251537002001	CLIP, HIGH VOLTAGE WIRE	1
3	251130034001	PIN 8×14×7	2
4	251307003001	RECTANGLE RING 8×10.8×1.5	1
5	251307004001	RECTANGLE RING 14×18.2×2.5	1
6	251499015001	GASKET ASSY, CYLINDER HEAD	1
7	251600002001	BOLT M6×23	1
8	251634006001	CYLINDER BLOCK ASSEMBLY	1
9	251390004001	GUIDE CHAIN ROLLER SET	1
10	251658029001	WASHER 8.5×1.5×14	1
11	251508001001	GUIDE CHAIN ROLLER PIN	1
12	251307005001	RECTANGLE RING 11.5×16×2.5	1
13	251490013001	GASKET, CYLINDER BLOCK	1
14	251130035001	PIN 8×12×7	2
15	251510001001	BUSH 9.5	1
16	251600003001	BOLT M6×30	1

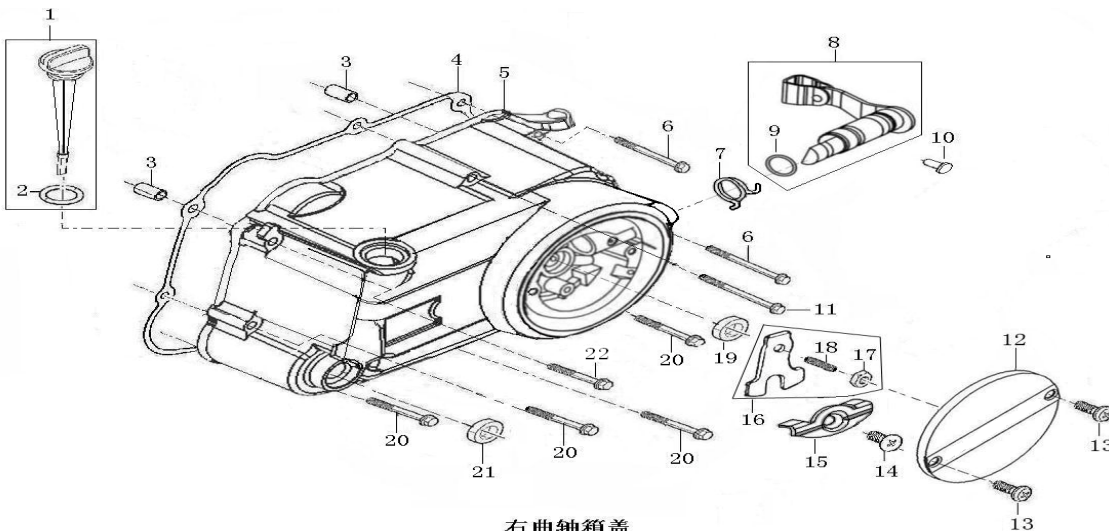




配气机构
VALVE MECHANISM

VALVE MECHANISM

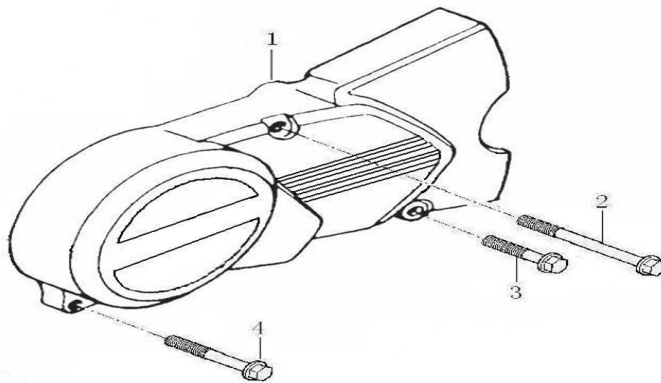
No..	Part No.	English Description	quantity-per
1	251536005001	VALVE LOCKER	4
2	251081005001	SPRING SEAT	2
3	251539002001	VALVE INNER SPRING	2
4	251541002001	VALVE OUTER SPRING	2
5	251531004001	INNER SPRING, ASSY	2
6	251083005001	SEAL, VALVE STEM	2
7	251304012001	INTAKE VALVE	1
8	251428011001	EXHAUST VALVE	1
9	251542005001	ROCKER ARM	2
10	251528003001	NUT, VALVE CLEARANCE	2
11	251527003001	SCREW, VALVE CLEARANCE	2
12	251544006001	ROCKER ARM ASSEMBLY, VALVE	2
13	251542006001	ROCKER SHAFT	2
14	251627005001	GAMP SHAFT COMP	1
15	251712005001	TIMING DRIVEN SPROCKET	1
16	251503001001	BOLT M5×12	3
17	251398003001	CHAIN ADJUSTING SET	1
18	251397002001	AXLE, TENSIONER LEVER	1
19	251511001001	CHAIN TYHT SET	1
20	251517001001	PLUG OF TIGHTENER	1
21	251400002001	SPRING	1
22	251658030001	WASHER 14.5×1.5×20	1
23	251518001001	SEALING PLUG M14×1.5	1
24	251658031001	WASHER 6.2×1.5×13	1
25	251504001001	BOLT M6×18	1
26	251717008001	SPROKET CHAIN	1



右曲轴箱盖
RIGHT CRANKCASE COVER

RIGHT CRANKCASE COVER

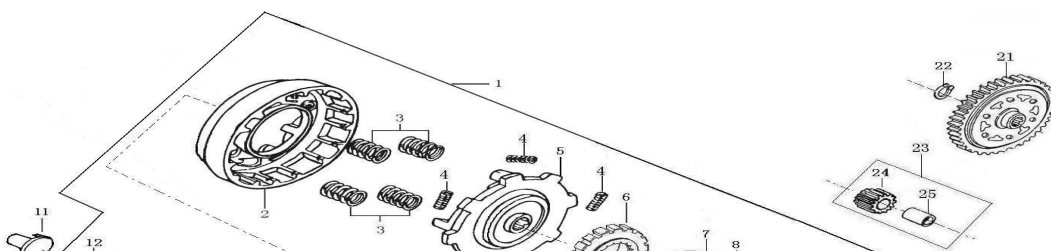
No..	Part No.	English Description	quantity-per
1	251268005001	OIL RULER ASSY	1
2	251002023001	O-RING 18×3	1
3	251130036001	PIN 8×12×6.3	2
4	251679011001	GASKET, R. CRANKCASE COVER	1
5	251678008001	COVER COMP. RIGHT CRANKCASE	1
6	251652029001	BOLT M6×80	2
7	251316004001	CLUTCH CONTROLLING ARM SPRING	1
8	251519001001	CONTROLLING ARM ASSEMBLY, CLUTCH	1
9	251002024001	O-RING 14×1.5	1
10	251507001001	CLUTCH LEVER PIN	1
11	251652030001	BOLT M6×65	1
12	251520001001	DECORATE COVER, R. CRANKCASE COVER	1
13	251412016001	SCREW M6×16	2
14	251412017001	SCREW M6×12	1
15	251525001001	CLUTCH PRESSURE CLIP	1
16	251526001001	CLUTCH SHIFTING PLATE	1
17	251413003001	NUT M6	1
18	251521001001	SCREW M6×15	1
19	251527001001	OIL-SEAL 12×21×4	1
20	251652031001	BOLT M6×40	4
21	251484005001	OIL SEAL 13.8×24×5	1
22	251652032001	BOLT M6×42	1

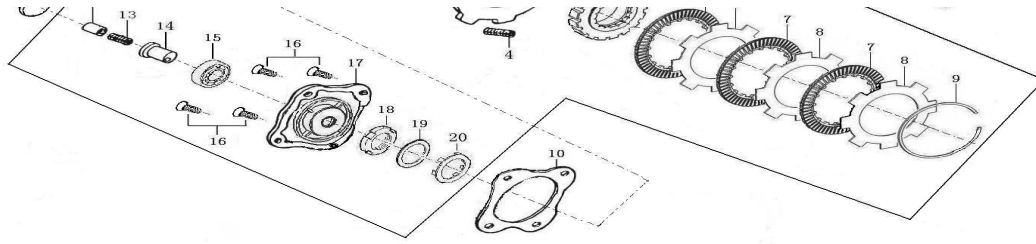


左曲轴箱边盖
L. CRANKCASE COVER FRONT PART

L. CRANKCASE COVER FRONT PART

No..	Part No.	English Description	quantity-per
1	251528001001	L. CRANKCASE COVER FRONT PART	1
2	251652033001	BOLT M6×35	1
3	251652034001	BOLT M6×28	1
4	251652035001	BOLT M6×32	1

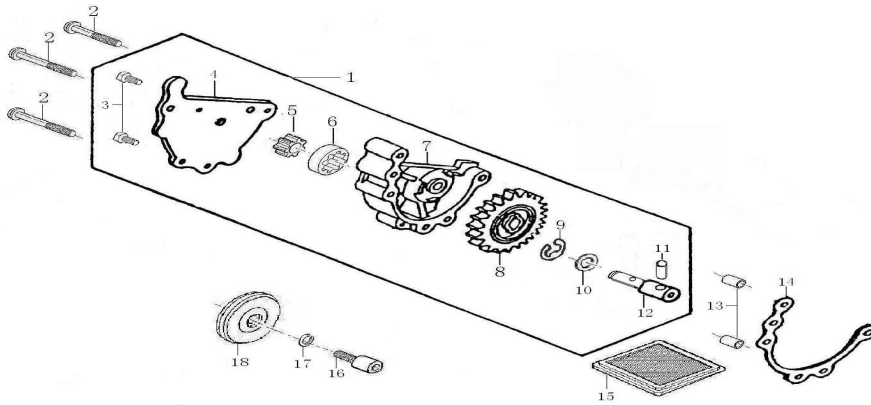




离合器总成
CLUTCH ASSY

CLUTCH ASSY

No..	Part No.	English Description	quantity-per
1	251382016001	CLUTCH ASSY	1
2	251639004001	OUTER CASE, CLUTCH	1
3	251547001001	CLUTCH CUT SPRING	4
4	251548001001	ABSORBING SPRING	4
5	251549001001	DRIVER PLATE	1
6	251551001001	PRIMARY DRIVE GEAR OUTER COVER	1
7	251744003001	DRIVE FRICTION DISK	3
8	251552001001	CLUTCH DOWN PLATE	3
9	251332003001	ELASTIC CHECK RING	1
10	251337004001	GASKET, END COVER	1
11	251365005001	PUSHING ROD, CLUTCH	1
12	251553001001	OIL TUBE	1
13	251117002001	OIL THIMBLE SPRING	1
14	251666002001	OIL THIMBLE	1
15	251726032001	BEARING (6001)	1
16	251412018001	SCREW M5×12	4
17	259749005001	END COVER, CLUTCH	1
18	251355003001	LOCK NUT, CLUTCH	1
19	251345007001	DISH WASHER, CLUTCH	1
20	251007002001	STOP WASHER, CLUTCH	1
21	251710005001	DRIVEN GEAR COMP	1
22	251554001001	CIRCLIP	1
23	251555001001	DRIVEN GEAR	1
24	251730008001	PRIMARY DRIVE GEAR	1
25	251556001001	AXLE SLEEVE	1

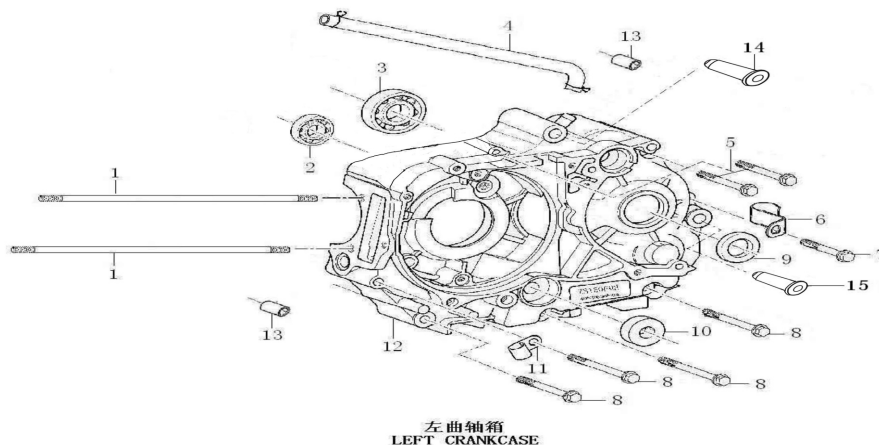


机油泵部件
OIL PUMP

OIL PUMP

No..	Part No.	English Description	quantity-per
------	----------	---------------------	--------------

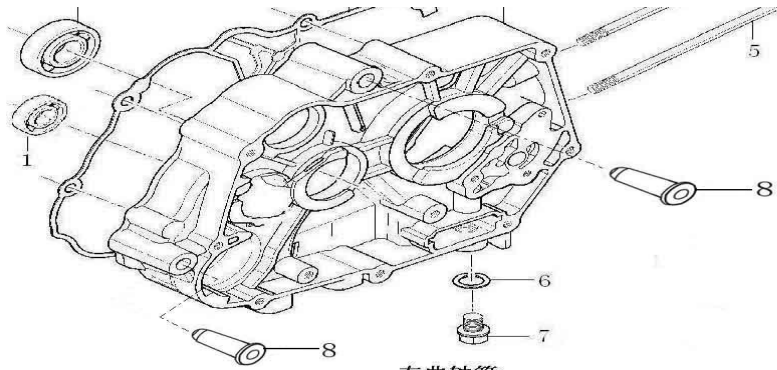
1	251246011001	OIL PUMP ASSY			1
2	251412019001	SCREW M6×30			3
3	251412020001	SCREW M5×10			2
4	251625002001	OIL PUMP COVER			1
5	251659005001	INNER ROTOR, OIL PUMP			1
6	251659006001	OUTER ROTOR, OIL PUMP			1
7	251627006001	OIL PUMP BODY			1
8	251628002001	GEAR, OIL PUMP			1
9	251244009001	CIRCLIP 4			1
10	251658032001	WASHER 6.5×0.8×11.5			1
11	251557001001	PIN 3×16			1
12	251660003001	SHAFT, OIL PUMP			1
13	251130036001	PIN 8×12×6.3			2
14	251692002001	GASKET, OIL PUMP			1
15	251273005001	STRAINER, OIL FILTER			1
16	251522001001	SCREW			1
17	251078004001	WASHER φ6			1
18	251249002001	HUB DUMP CHAIN SPROCKET, OIL PUMP			1



LEFT CRANKCASE

No..	Part No.	English Description	quantity-per
1	251488012001	CYLINDER STUD BOLT A	2
2	251726032001	BEARING (6001)	1
3	251726033001	BEARING (6203)	1
4	251623006001	PIPE ASSY	1
5	251652036001	BOLT M6×60	2
6	251537002001	CLIP, HIGH VOLTAGE WIRE	1
7	251652037001	BOLT M6×45	1
8	251652030001	BOLT M6×65	4
9	251163005001	OIL SEAL 17×29×5	1
10	251225004001	OIL-SEAL 11.6×24×10	1
11	251558001001	CLIP, OVERFLOW PIPE	1
12	251108005001	LEFT CRANKCASE BLOCK	1
13	251130037001	PIN 10×14	2
14	251686002001	ABSORBER SLEEVE	1
15	251684002001	ABSORBER SLEEVE	1

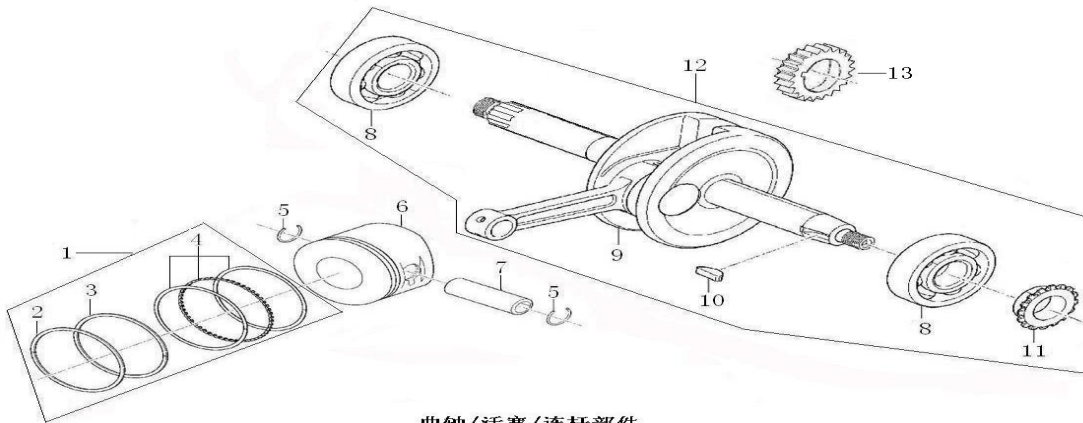




右曲轴箱
RIGHT CRANKCASE

RIGHT CRANKCASE

No..	Part No.	English Description	quantity-per
1	251726034001	BEARING (6201)	1
2	251726033001	BEARING (6203)	1
3	251578009001	GASKET, CRANKCASE	1
4	251663004001	RIGHT CRANKCASE BLOCK	1
5	251488013001	CYLINDER STUD BOLT B	2
6	251104005001	WASHER 12.4×2×20	1
7	251104004001	OIL DRAIN PLUG	1
8	251684002001	ABSORBER SLEEVE	2

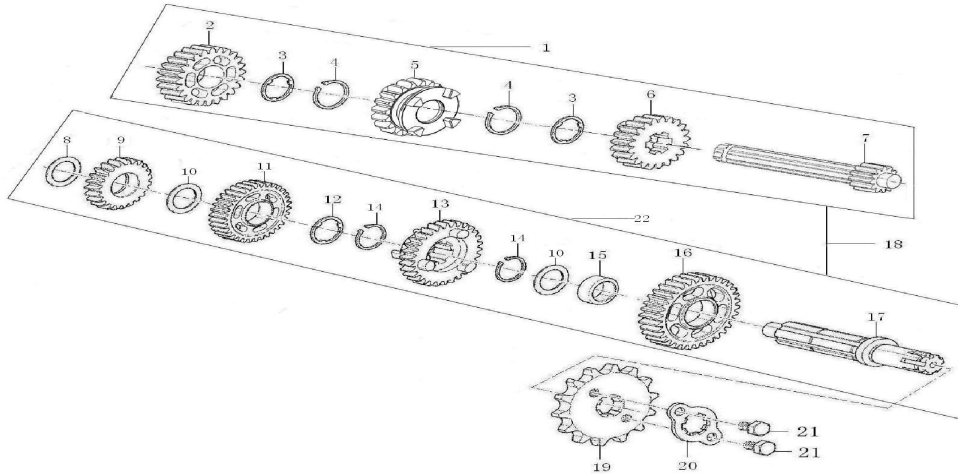


曲轴/活塞/连杆部件
CRANKSHAFT/PISTON/CONNECTING ROD COMP

CRANKSHAFT CONNECTING-ROD ASSY/PISTON

No..	Part No.	English Description	quantity-per
1	251238013001	PISTON RING COMP	1
2	251558002001	PISTON RING 1	1
3	251558003001	PISTON RING 2	1
4	251690002001	OIL RING ASSY	1
5	251240014001	CHECK RING, PISTON PIN	2
6	251559001001	PISTON	1
7	251239014001	PIN PISTON	1
8	251726035001	BEARING (6205/P63)	2
9	251631002001	CONNECTING ROD COMP 3	1
10	251055004001	SEMICIRCULAR KEY	1
11	251693002001	HUB DUMP CHAIN SPROCKET	1
12	251574009001	CRANKSHAFT CONNECTING-ROD ASSY	1

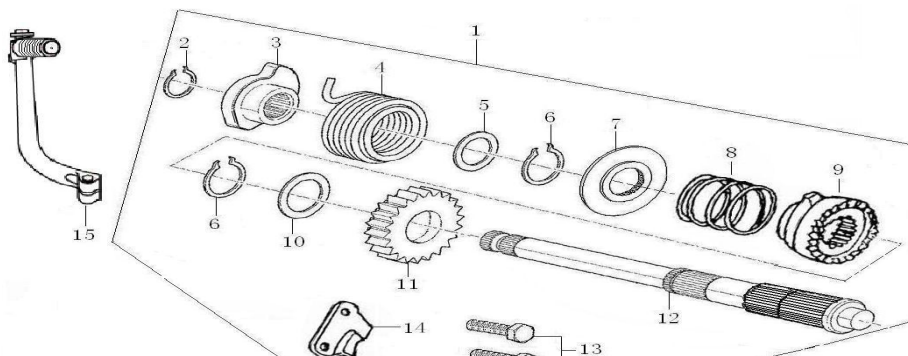
13	251356002001	DRIVE GEAR, OIL PUMP		1
----	--------------	----------------------	--	---



主副轴组合
TRANSMISSION MAIN, COUNTER SHAFT

TRANSMISSION MAIN, COUNTER SHAFT

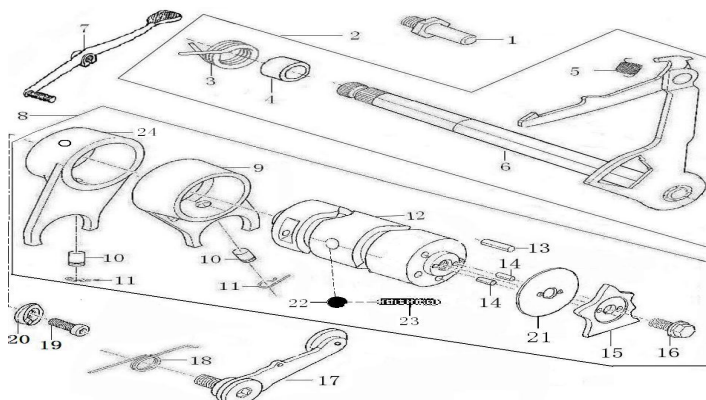
No..	Part No.	English Description	quantity-per
1	251005007001	MAIN SHAFT, TRANSMISSION	1
2	251749005001	GEAR M-4	1
3	251563001001	WASHER	2
4	251554001001	CIRCLIP	2
5	251140005001	GEAR M-3	1
6	251694002001	GEAR M-2	1
7	251696002001	TRANSMISSION MAIN SHAFT	1
8	251658034001	WASHER 13.7×0.5×26	1
9	251120006001	GEAR C-4	1
10	251658035001	WASHER 15.2×1×30	2
11	251154006001	GEAR C-3	1
12	251643003001	WASHER	1
13	251150004001	GEAR C-2	1
14	251564001001	CHECK RING	2
15	251565001001	COLLAR 22×20	1
16	251154007001	GEAR C-1	1
17	251068003001	TRANSMISSION COUNTER SHAFT	1
18	251107005001	TRANSMISSION MAIN, COUNTER SHAFT	1
19	251155004001	DRIVE SPROCKET	1
20	251734004001	FIXING PLATE, DRIVE SPROCKET	1
21	251416025001	BOLT M6×10	2
22	251006007001	COUTERSHAFT TRANSMISSION	1



启动轴总成
KICK STARTING SHAFT ASSEMBLY

KICK STARTING SHAFT ASSEMBLY

No..	Part No.	English Description	quantity-per
1	251485007001	KICK STARTING SHAFT ASSEMBLY	1
2	251733003001	CIRCLI $\phi 15.5 \times 1.2 \times \phi 19$	1
3	251715002001	SEAT, SPRING, KICK STARTING SHAFT	1
4	251716002001	RETURN SPRING, KICK STARTING SHAFT	1
5	251658036001	WASHER $17.2 \times 1.0 \times 24$	1
6	251733004001	CIRCLI $\phi 18.5 \times 1.2 \times \phi 22.1$	2
7	251566001001	SPRING SUPPORT	1
8	251703002001	SPRING, KICK STARTING RATCHET WHEEL	1
9	251567001001	STARTING RATCHET	1
10	251658037001	WASHER $20.2 \times 1.0 \times 27$	1
11	251756003001	GEAR, KICK STARTER	1
12	251711002001	PIVOT, KICK STARTING SHAFT	1
13	251416026001	BOLT M6 $\times 20$	2
14	251569001001	SPACE, RATCHET WHEEL	1
15	251718002001	START-UP BAR COMP	1

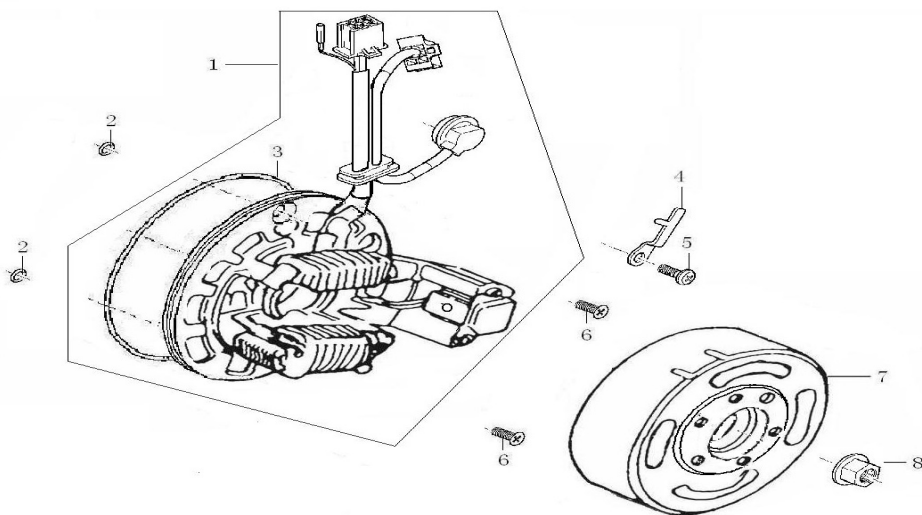


变速机构
GEARSHIFT MECHANISM

GEARSHIFT MECHANISM

No..	Part No.	English Description	quantity-per
1	251668002001	BOLT, RETURN SPRING FIXING 8×11	1
2	251221009001	GEARSHIFT LEVER COMP	1
3	251227003001	RETURN SPRING	1
4	251570001001	SLEEVE OF GEARSHIFT LEVER COMP	1
5	251571001001	GEARSHIFT LEVER TENSION SPRING	1
6	251722002001	GEARSHIFT SHAFT COMP	1
7	251723002001	GEARSHIFT SHAFT	1
8	251012002001	GEARSHIFT DRUM COMP	1
9	251572001001	GEARSHIFT FORK	2
10	251573001001	GUIDE PIN	2
11	251574001001	CLIP, SPRING	2
12	251010006001	GEARSHIFT DRUM	1
13	251131004001	PIN 4×13	3
14	251131005001	PIN 3×8.5	2
15	251635006001	STOPPING PLATE	1

16	251725002001	BOLT M6×16			1
17	251129004001	LOCATING PLATE ASSY			1
18	251126004001	SPRING ,LOCATING PLATE			1
19	251575001001	SCREW			1
20	251098003001	CONTACT, CEARINDICATION			1
21	251576001001	PRESS PLATE OF GEARSHIFT DRUM			1
22	251577001001	STEEL BALL			1
23	251579001001	SPRING			1
24	251572002001	GEARSHIFT FORK			1



磁电机总成
MAGNETO COMP

MAGNETO COMP

No..	Part No.	English Description	quantity-per
1	251056013001	STATOR ASSY, MAGNETO	1
2	251002025001	O-RING 6.5×1.8	2
3	251002026001	O-RING 106.8×2	1
4	251089003001	GEARSHIFT SWITCH PRESSING PLATE	1
5	251412021001	SCREW M6×12	1
6	251412022001	SCREW M6×16	2
7	251665007001	ROTOR ASSY, MAGNETO	1
8	251580001001	NUT	1