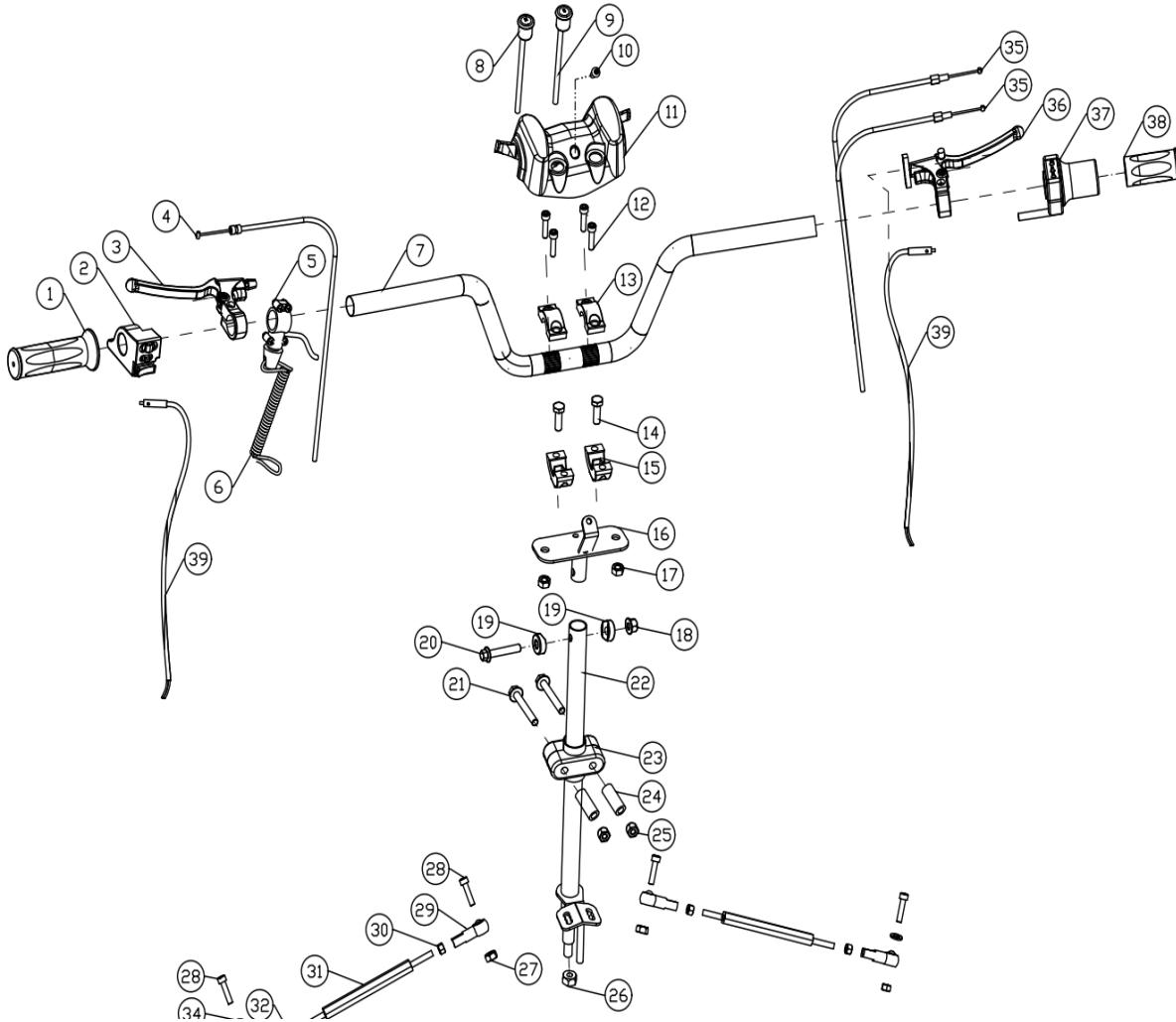


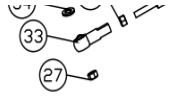


VENOM MOTORSPORTS E-RACER 1000W 36V Parts Diagram

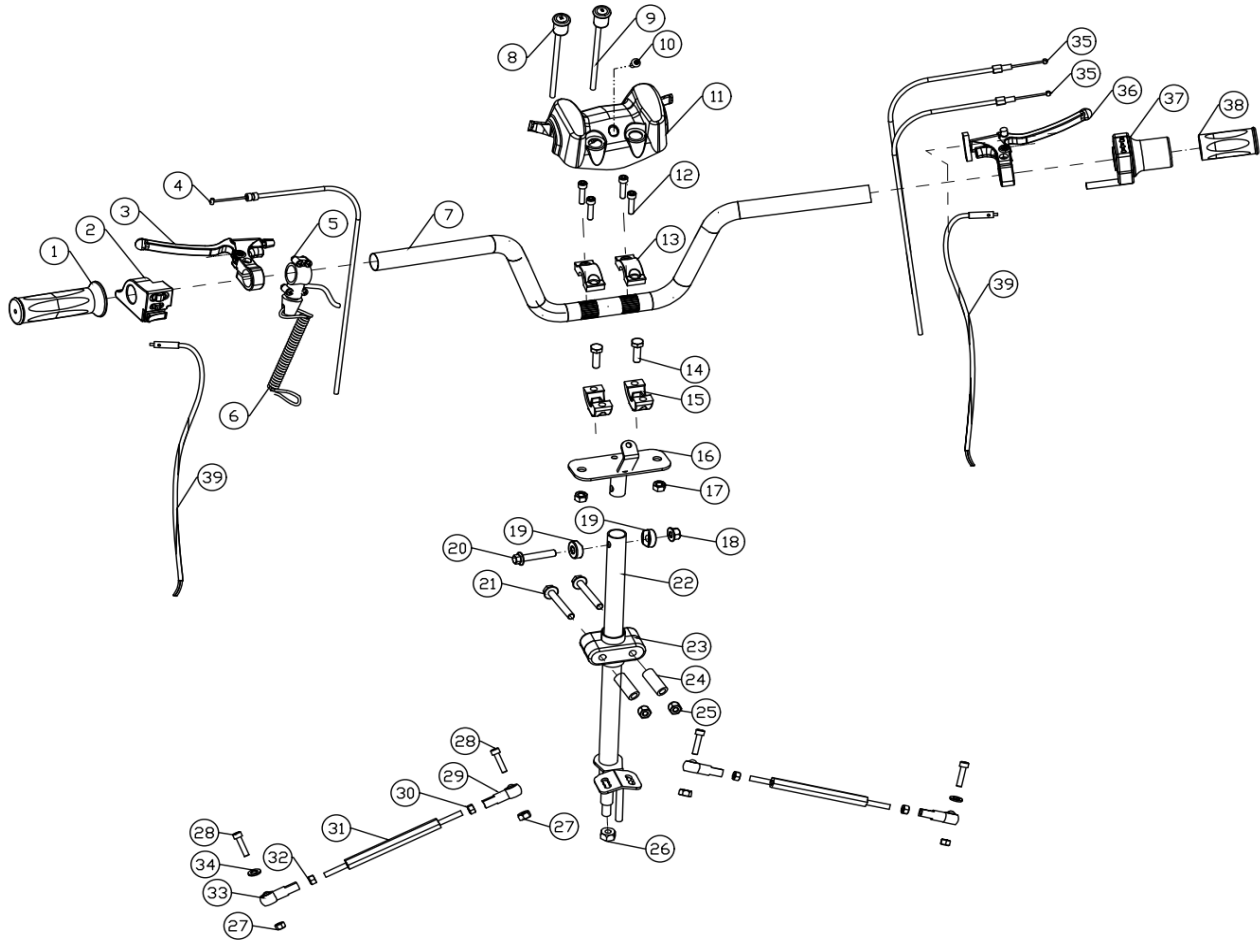
Direction steering system assembly



Item No.	PART #	English name
1	17805000010	handlebar grip(Left)
2-1	17809000120	Combination switch
2-2	17809000340	Combination switch
2-3	17805000020	Combination switch
3-1	17806000010	The rear brake handle
3-2	17806000130	The rear brake handle
4	17806000020	Rear brake cable
5	17809000130	Safety switch
6	17809000140	Safety rope
7-1	17805000310	Steering Handle
7-2	17805000030	Steering Handle
8-1	17809000150	Neutral indicator light
8-2	17805000390	Plastic cover plug for handlebars
9-1	17809000160	Reverse indicator light
9-2	17805000390	Plastic cover plug for handlebars
10	03314060165YK	Hexagon socket head flat head screws(Large pan head)
11-1	17805000220	Plastic handlebar protective cover
11-2	17805000420	Plastic handlebar protective cover
11-3	17809000350	Instrument display
11-4	04313060021YK	Hexagon cap nut
11-5	17805000400	Instrument mounting plate
11-6	3314060125YK	Hexagon socket Head screws (Large pan head)

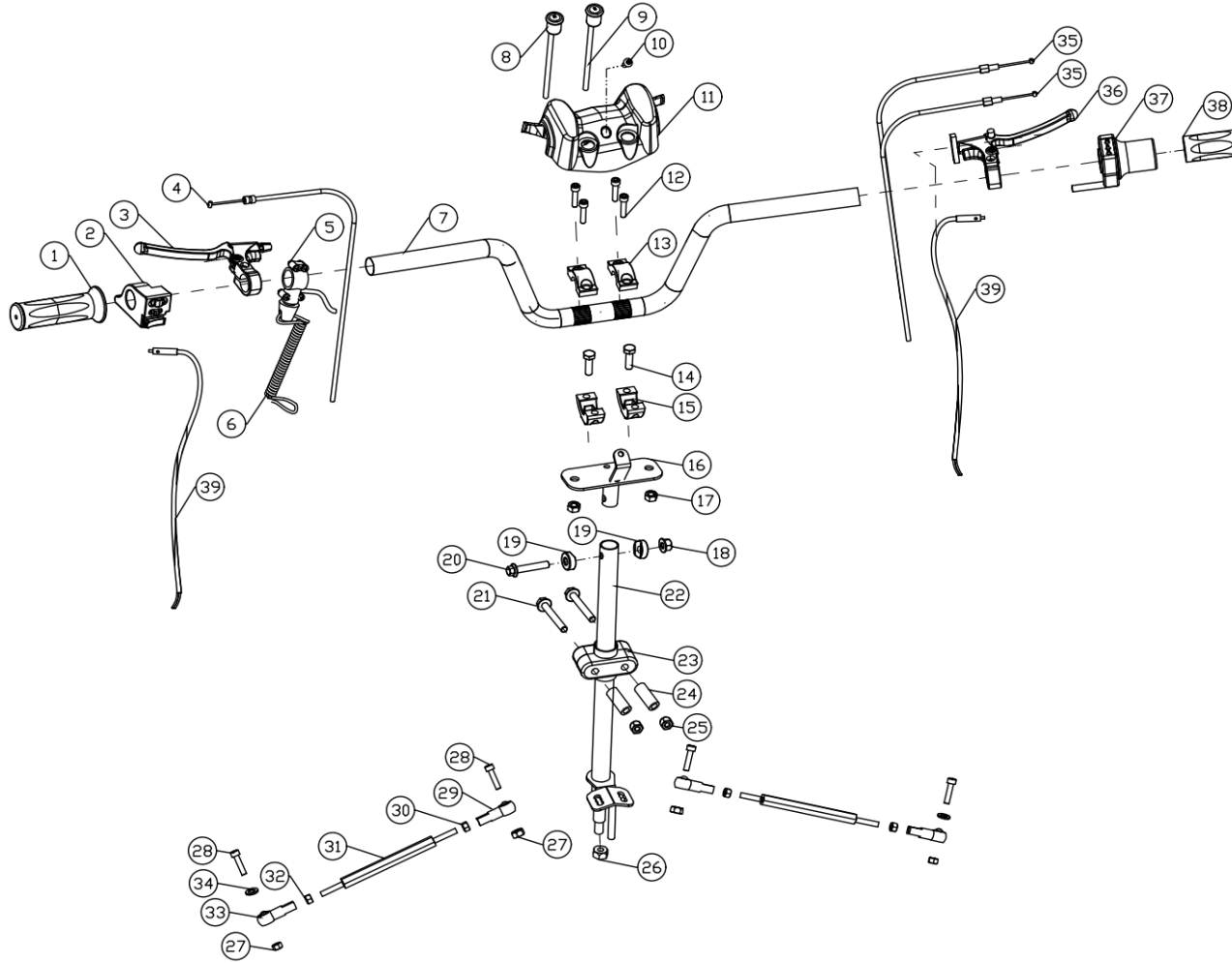


Direction steering system assembly



Item No.	PART #	English name
11-7	4512060025YK	Hexagon nuts with flange, all metal
11-8	17805010010	Protective Foreskin
11-9	17805010030	Protective Foreskin
11-10	17805010020	Protective Cover
12	3344080255YK	Hexagon socket cap screws
13	17805020010	Fixed base(Top half)
14	01124080205YK	Hexagon bolt
15	17805020020	Fixed base(Bottom half)
16-1	17805000260	Handlebar mounting frame
16-2	17805000430	Handlebar mounting frame
17	04212080025YK	Hexagon lock nuts with non-metallic insert
18	04512080025YK	Hexagon nuts with flange, all metal
19	17805000290	Spacer parallel
20	01214080455YK	Hexagon bolt with flange
21	01234100555YK	Hexagon bolt with flange
22-1	17805000340	Direction rotation shaft
22-2	17805000040	Direction rotation shaft
23	17805000050	Axle seat
24	17805000060	Inner sleeve of steering column clamp base
25	04622100025YK	Hexagon nuts with flange, all metal
26	04212100025YK	Hexagon lock nuts with non-metallic insert
27	04212080025YK	Hexagon lock nuts with non-metallic insert
28	03344080355YK	Hexagon socket cap screws
29	17805000070	Articulated bearing

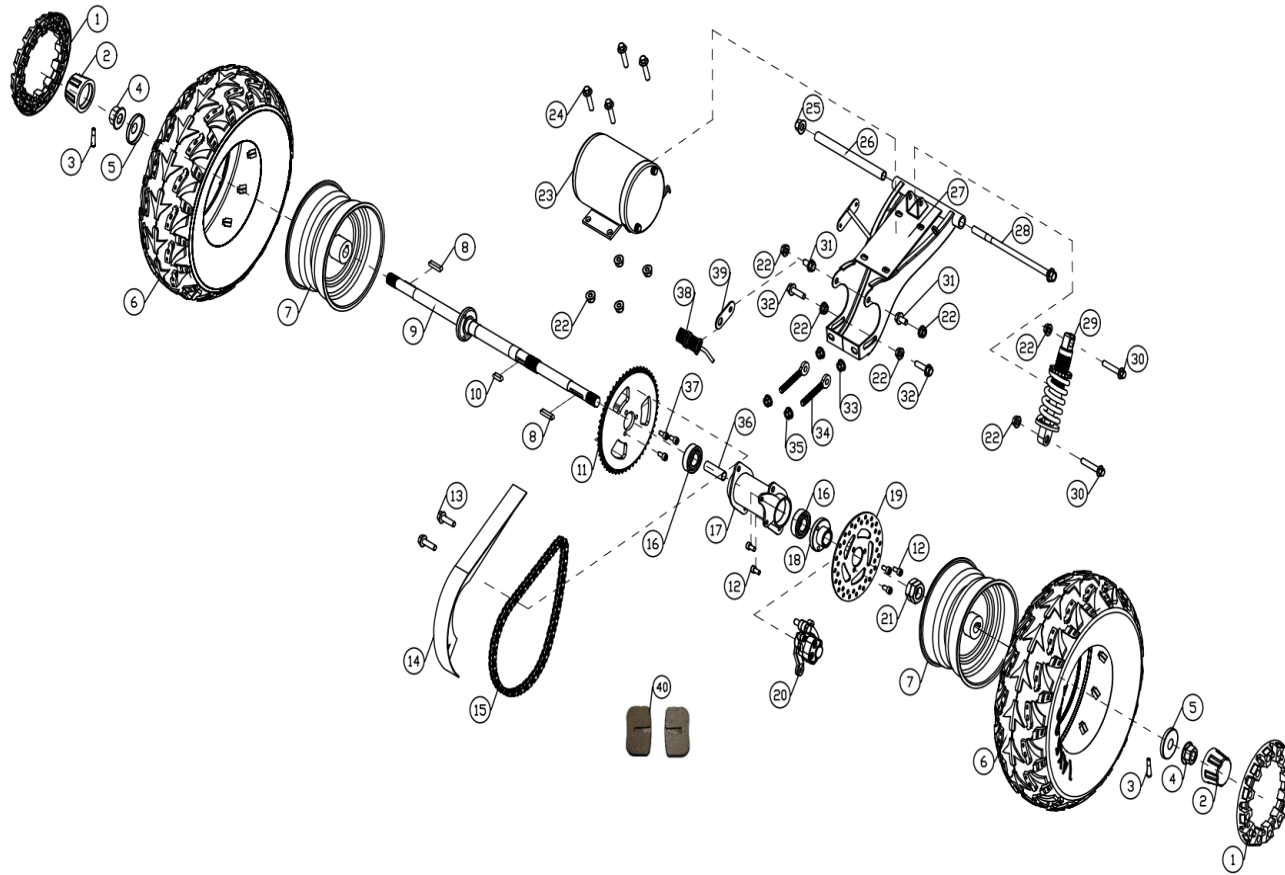
Direction steering system assembly



Item No.	PART #	English name
30	04212080020YK	Hexagon nut
31	17805000080	Adjusting rod
32	04212080010YK	Hexagon nut with reverse thread
33	17805000090	Anti-threaded spherical plain bearing
34	17805000410	Articulated bearing pads
35	17805000100	Front Brake cable
36-1	17805000110	The front brake handle
36-2	17805000450	The front brake handle
37	17805000120	Electron accelcrator
38	17805000130	handlebar grip(Right)
39-1	17805000490	Brake light switch
39-2	17805000500	Brake light switch
41		
42		
43		
44		
45		
46		
47		
48		
49		
50		
51		

Rear drive system assembly

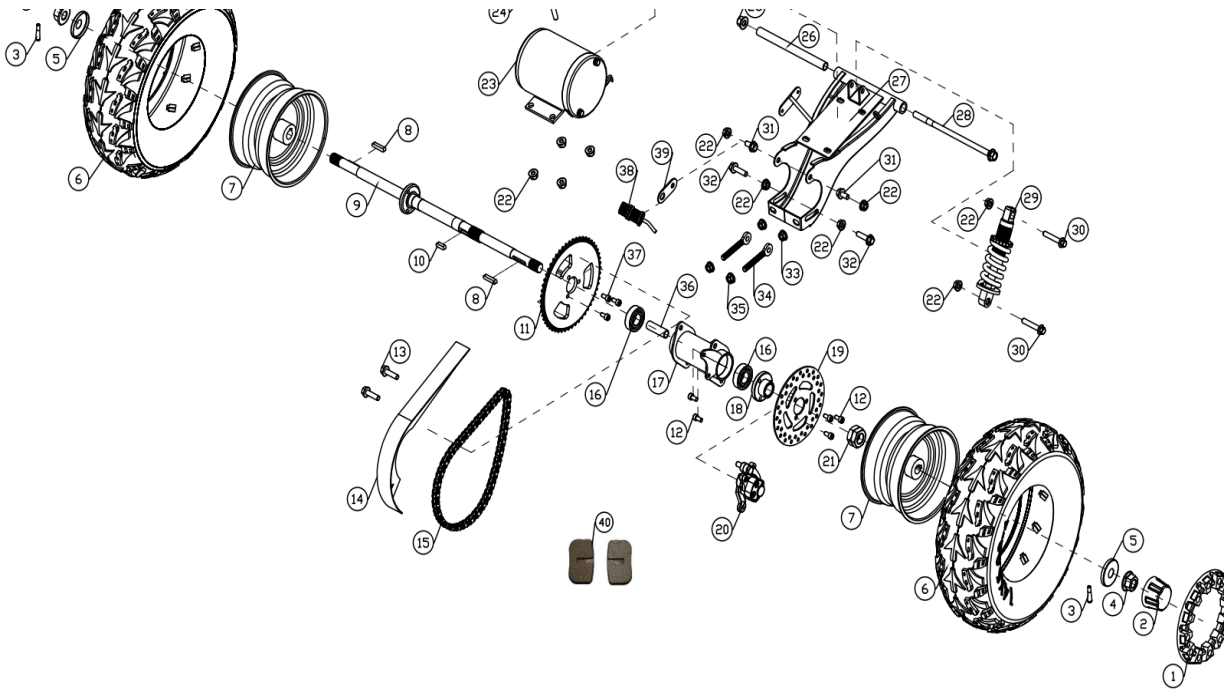
Item No.	PART #	English name
----------	--------	--------------



Rear drive system assembly

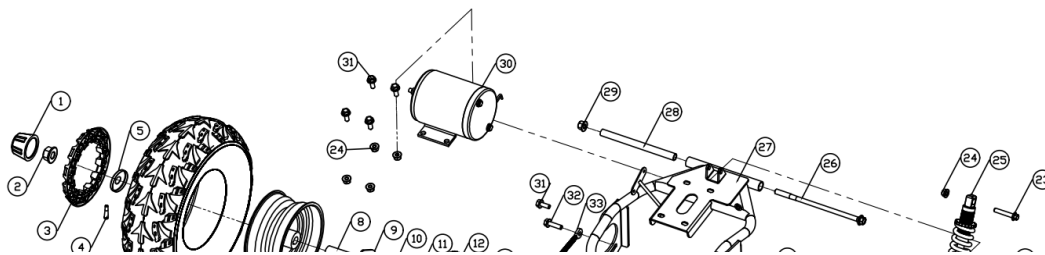


1	17805000230	Hubcap
2	17805000240	Axle cover
3	17805030010	Cycle valve
4	04622160025YK	All-metal Hexagon Flange face lock nut
5	17805000270	Axle cover fixing cover
6	17805030020	Rear Tire
7	17805030030	Rear Rim
8	17803000010	Flat key
9	17803000020	Rotating shaft
10	17803000030	Flat key
11	17803000040	Driven sprocket
12	03344060125YK	Hexagon socket cap screws
13	03314060125YK	Hexagon socket head flat head screws
14	17810000010	Chain cover
15	17803000050	Chain
16	09560006004YK	Deep groove ball bearing
17	17803000060	Bearing sleeve
18	17803000070	Fixed flange
19	17806000070	Rear Brake disc
20	17806000080	Brake Caliper(Left)
21	04222200025	Hexagon thin nut
22	04512080025YK	All-metal Hexagon Flange face lock nut
23-1	17803000080	Driving motor
Item No.	PART #	English name
23-2	17803000100	Driving motor
24	01224080205YK	Hexagon flange bolt
25	04522100025YK	All-metal Hexagon Flange face lock nut

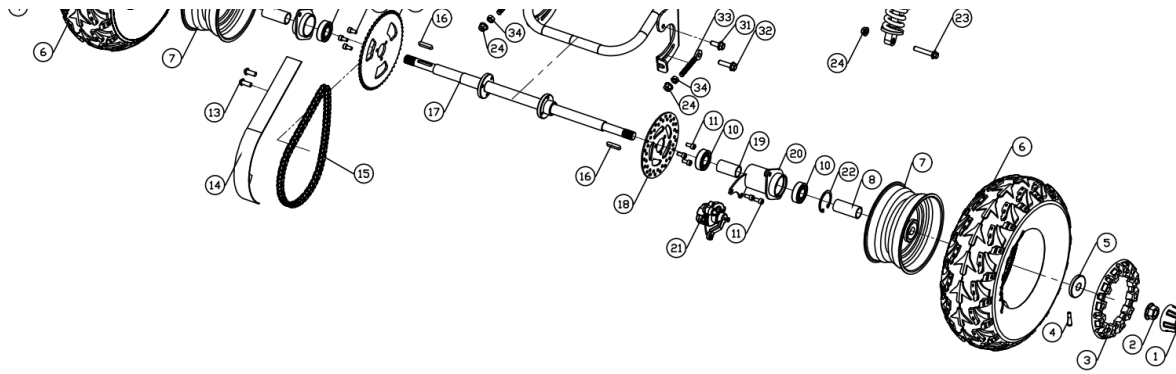


26	17805000140	Rear cradle spacer
27-1	17805000150	rear cradle(matte black)
27-2	17805000320	rear cradle(Red)
27-3	17805000330	rear cradle(Blue)
28	01254101955YK	Hexagon flange bolt
29	17801000010	Rear shock
30	01214080405YK	Hexagon flange bolt
31	01214080205YK	Hexagon flange bolt
32	01214080255YK	Hexagon flange bolt
33	04212080025YK	Hexagon nut
34	17805000160	Adjusting Bolt
35	04512080025YK	All-metal Hexagon Flange face lock nut
36	17803000090	Bearing sleeve lining sleeve
37	03334060125YK	Hexagon socket head flat head screws
38	17809000360	Speed sensor
39	17805000440	Speed sensor mounting plate
40	17806000120	Brake caliper friction plate
41		
42		
43		

Rear drive system assembly (New rear cradle)

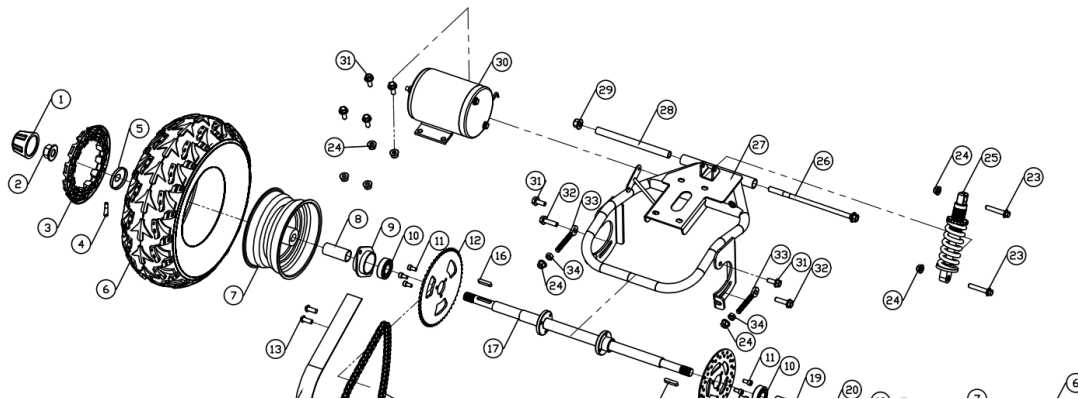


Item No.	PART #	English name
1	17805000240	Axle cover
2	04622160025YK	All-metal Hexagon Flange face lock nut
3	17805000230	Hubcap
4	17805030010	Cycle valve
5	17805000270	Axle cover fixing cover
6	17805030020	Rear Tire

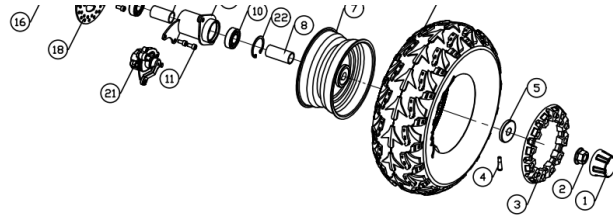


7	17805030030	Rear Rim
8	17803000110	Rear axle spacer sleeve
9	17803000120	Back bearing sleeve 2
10	09560006004YK	Deep groove ball bearing
11	03334060125YK	Hexagon socket head flat head screws
12	17803000040	Driven sprocket
13	03314060125YK	Hexagon socket head flat head screws
14	17810000010	Chain cover
15	17803000050	Chain
16	17803000010	Flat key
17	17803000130	Rotating shaft
18	17806000070	Rear Brake disc
19	17803000140	Bearing sleeve lining sleeve
20	17803000150	Back bearing sleeve 1
21	17806000100	Brake Caliper (Right)
22	07011420007	Internal circlips
23	01214080405YK	Hexagon flange bolt

Rear drive system assembly (New rear cradle)

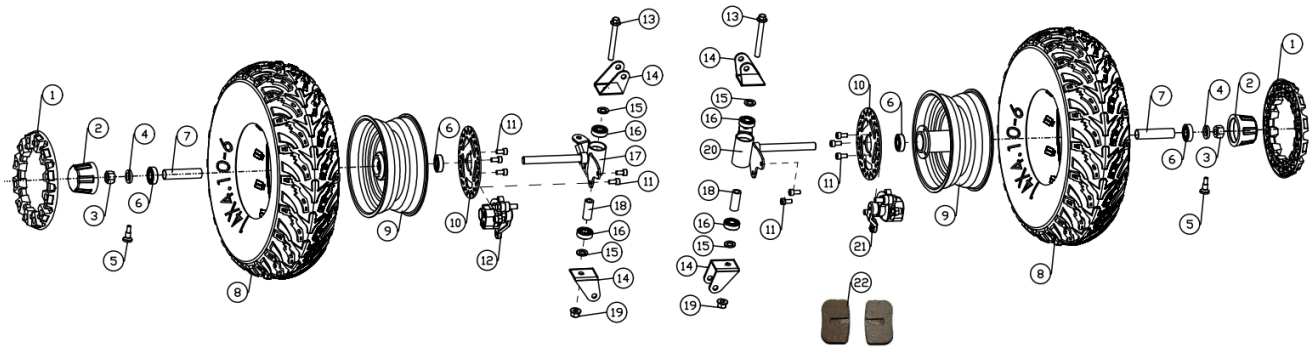


Item No.	PART #	English name
24	04512080025YK	All-metal Hexagon Flange face lock nut
25	04522100025YK	All-metal Hexagon Flange face lock nut
26	01254101955YK	Hexagon flange bolt
27-1	17805100150	rear cradle(matte black)
27-2	17805100320	rear cradle(Red)
27-3	17805100330	rear cradle(Blue)
28	17805000140	Rear cradle spacer
29	04522100025YK	All-metal Hexagon Flange face lock nut
30-1	17803000080	Driving motor



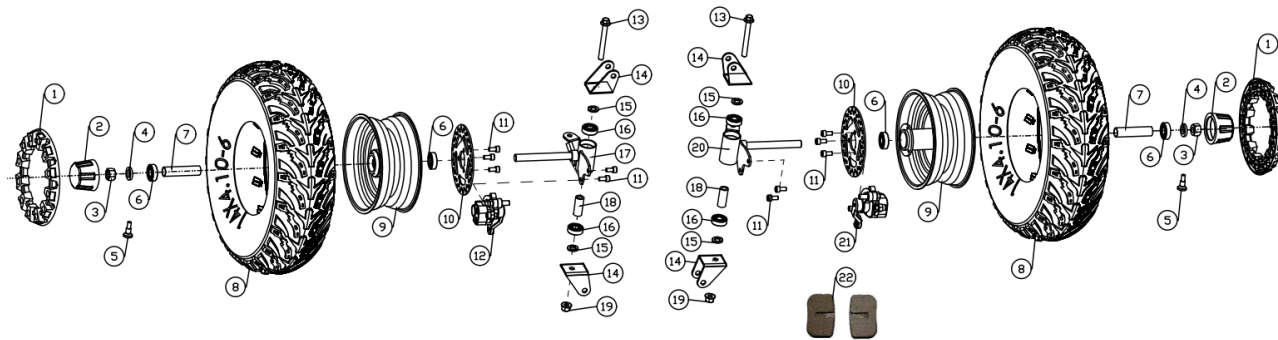
30-2	17803000100	Driving motor
31	01224080205YK	Hexagon flange bolt
32	01214080255YK	Hexagon flange bolt
33	17805000160	Adjusting Bolt
34	04212080025YK	Hexagon nut
35		
36		
37		
38		
39		
40		
41		
42		
43		

Front wheel group



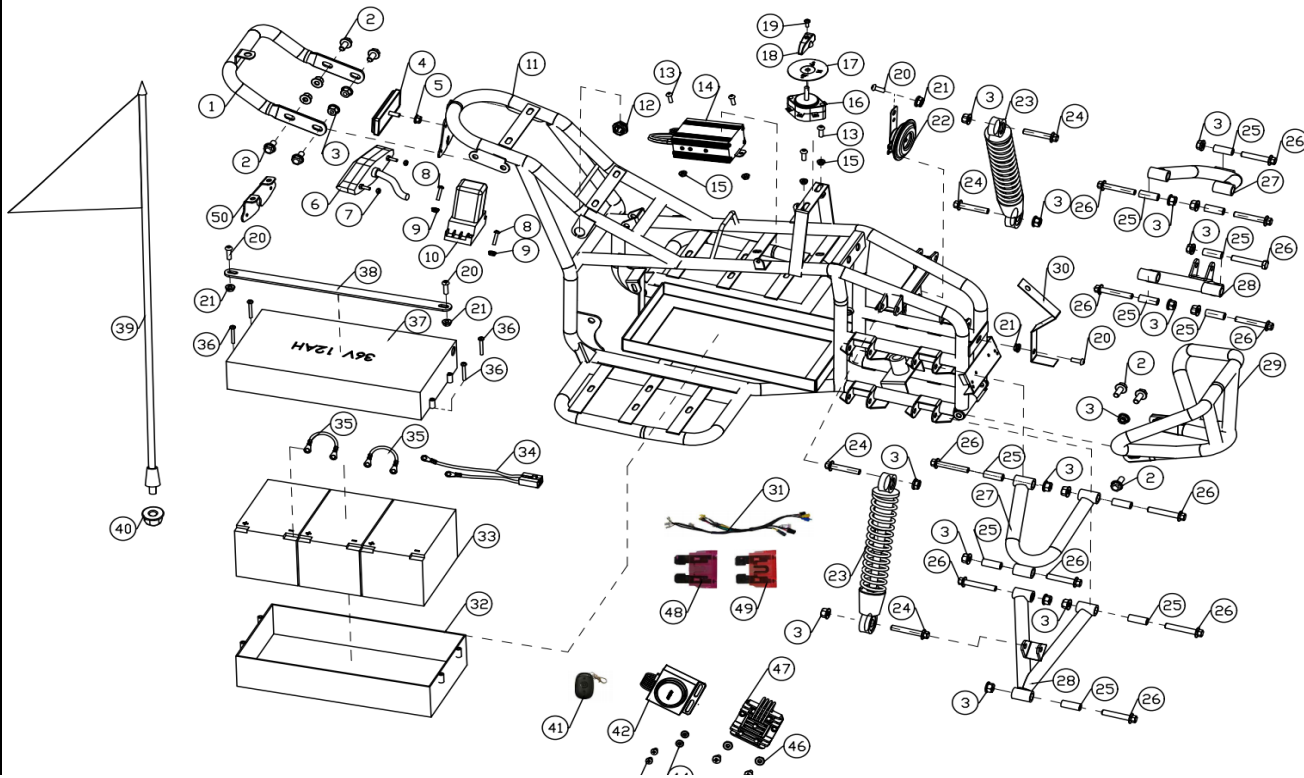
Item No.	PART #	English name
1	17805000230	Rim cover
2	17805000240	Axle cover
3	04212120025YK	Hexagon lock nuts with non-metallic insert
4	06619121805	Spring washer
5	17805030010	Cycle valve
6	09560006001YK	Deep groove ball bearing
7	17806000110	Front wheel bushing
8	17805040010	Front tire
9	17805040020	Front hub
10	17806000090	Front brake disc
11	03334060125YK	Hexagon socket head flat head screws
12	17806000100	Brake Caliper (Right)

Front wheel group



13	01254100755YK	Hexagon flange bolt
14	17801000030	Swing arm connecting frame
15	06119112005	Flat washer
16	09560006000YK	Deep groove ball bearing
17-1	17805000170	Steering Knuckle(Right)
17-2	17805000460	Steering Knuckle(Right)
18	17805000180	Front steering knuckle inner spacer
19	04212100025YK	Hexagon lock nuts with non-metallic insert
20-1	17805000190	Steering Knuckle(Left)
20-2	17805000450	Steering Knuckle(Left)
21	17806000080	Brake Caliper(Left)
Item No.	PART #	English name
22	17806000120	Brake caliper friction plate
23		
24		
25		
26		
27		
28		
29		
30		
31		
32		
33		
34		
35		
36		

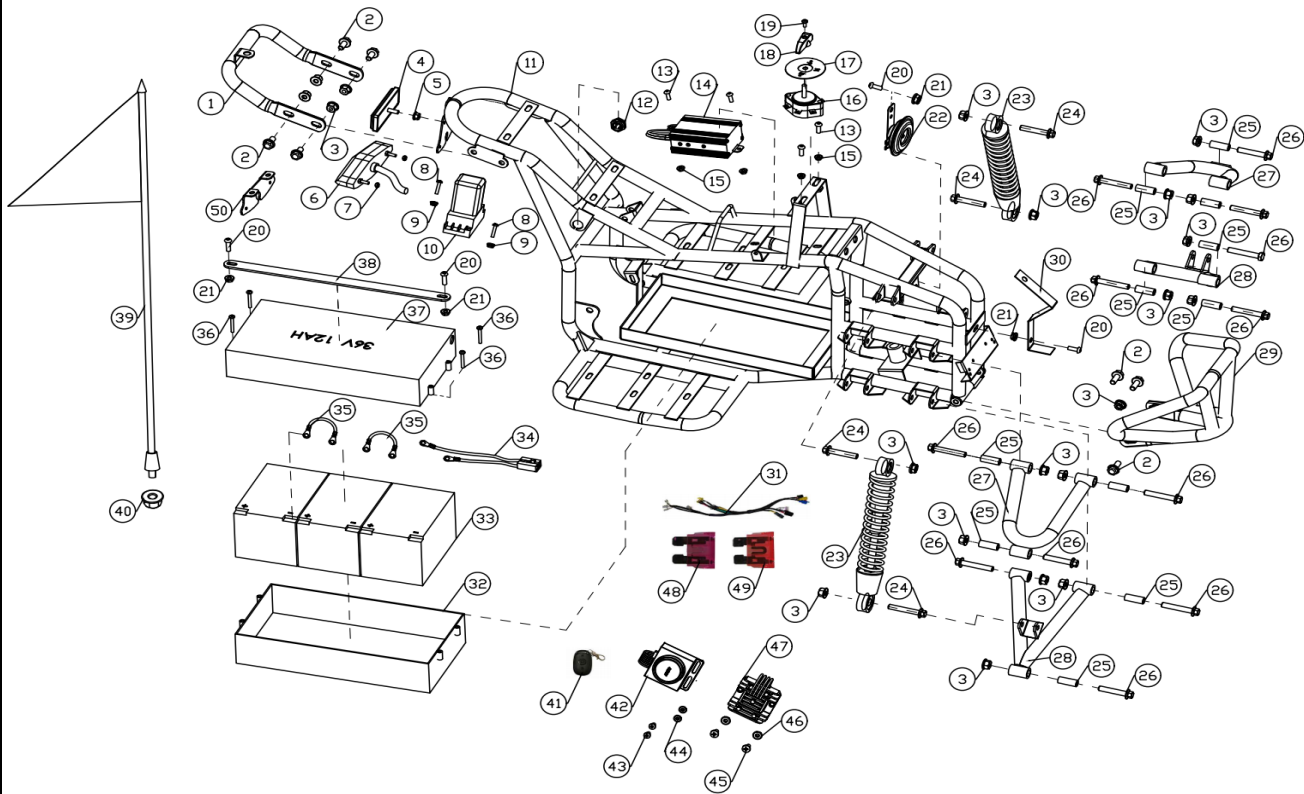
Frame and accessories assembly



Item No.	PART #	English name
37		
38		
39		
40		
41		
42		
43		
44		
1	1780800010	rear bumper
2	01224080165YK	Hexagon bolt with flange
3	04512080025YK	All-metal Hexagon Flange face lock nut
4-1	17814000040	Retro reflector
4-2	17814000150	Retro reflector
5	04212060025YK	Hexagon lock nuts with non-metallic insert
6	17809000100	Rear lamp
7	04512040025YK	All-metal Hexagon Flange face lock nut
8	03114040125YK	Cross recessed PAN head screws
9	04512040025YK	Hexagon nut with flange
10	17809000110	Emergency stop relay
11-1	17808000120	Frame
11-2	17808000160	Frame
11-3	17808000020	Frame
12-1	17809000010	Battery charging interface
12-2	17809000290	Charging seat cover
13	03114050125YK	Cross Recess Head Screw

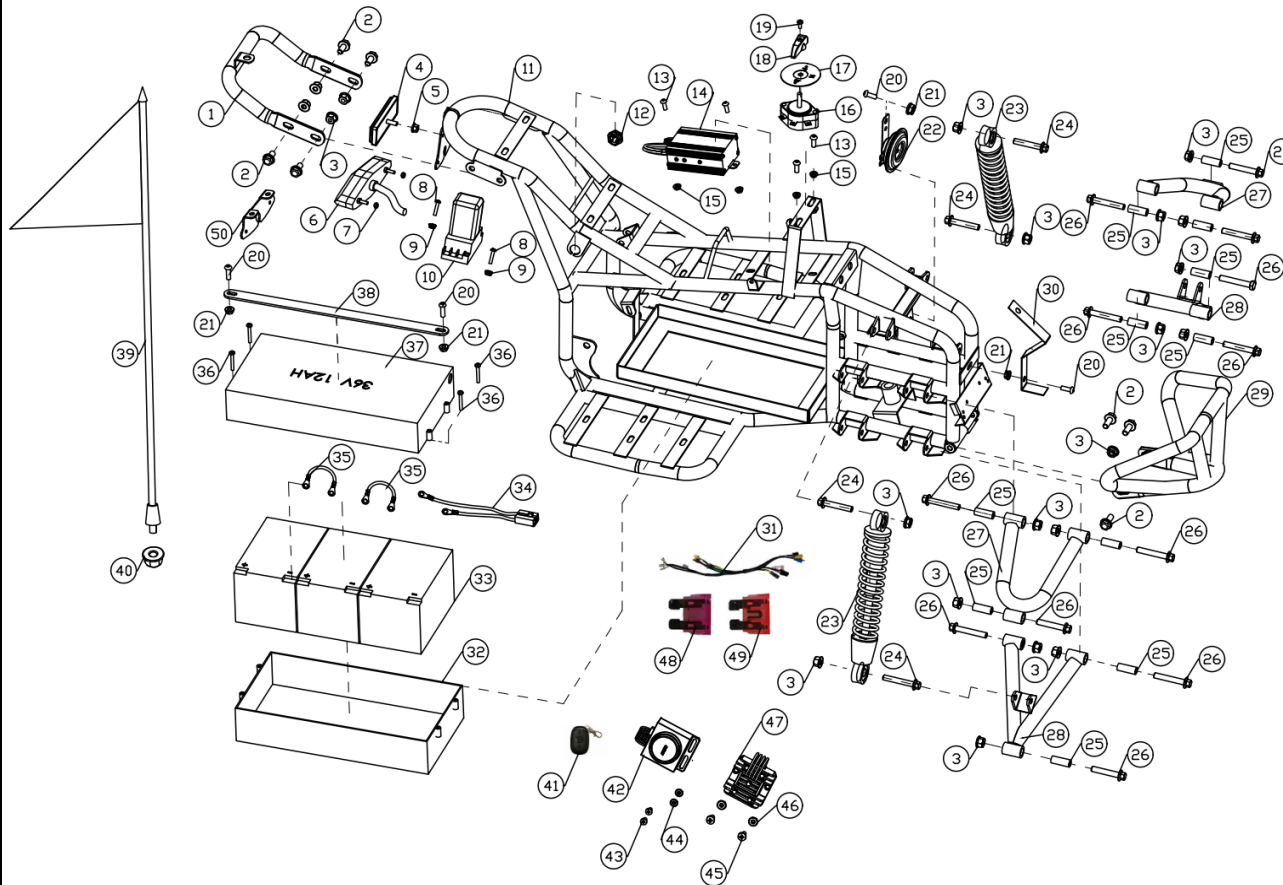


Frame and accessories assembly



14-1	17809000170	Controller
14-2	17809000320	Controller
15	04512050025YK	All-metal Hexagon Flange face lock nut
16	17809000180	Shift switch
17-1	17814000020	Plastic marking cover for gear
17-2	17813010370	Shift logo paste
Item No.	PART #	English name
18	17809010020	Gear switch knob
19	03114030085YK	Cross recessed pan head screw and spring washer and flat washer
20	01224060165YK	Hexagon bolt with flange
21	04512060025YK	All-metal Hexagon Flange face lock nut
22-1	17809000190	Horn
22-2	17809000030	Horn
23	17801000040	Front shock
24	01214080405YK	Hexagon bolt with flange
25	17801000050	Swing arm bushing
26	01214080505YK	Hexagon bolt with flange
27-1	17801000060	Upper swing arm(Red)
27-2	17801000080	Upper swing arm(Blue)
27-3	17801000090	Upper swing arm(Black)
27-4	17801000120	Upper swing arm(Red)
27-5	17801000130	Upper swing arm(Blue)
27-6	17801000140	Upper swing arm(Black)
28-1	17801000070	Lower arm(Red)
28-2	17801000100	Lower arm(Blue)
28-3	17801000110	Lower arm(Black)

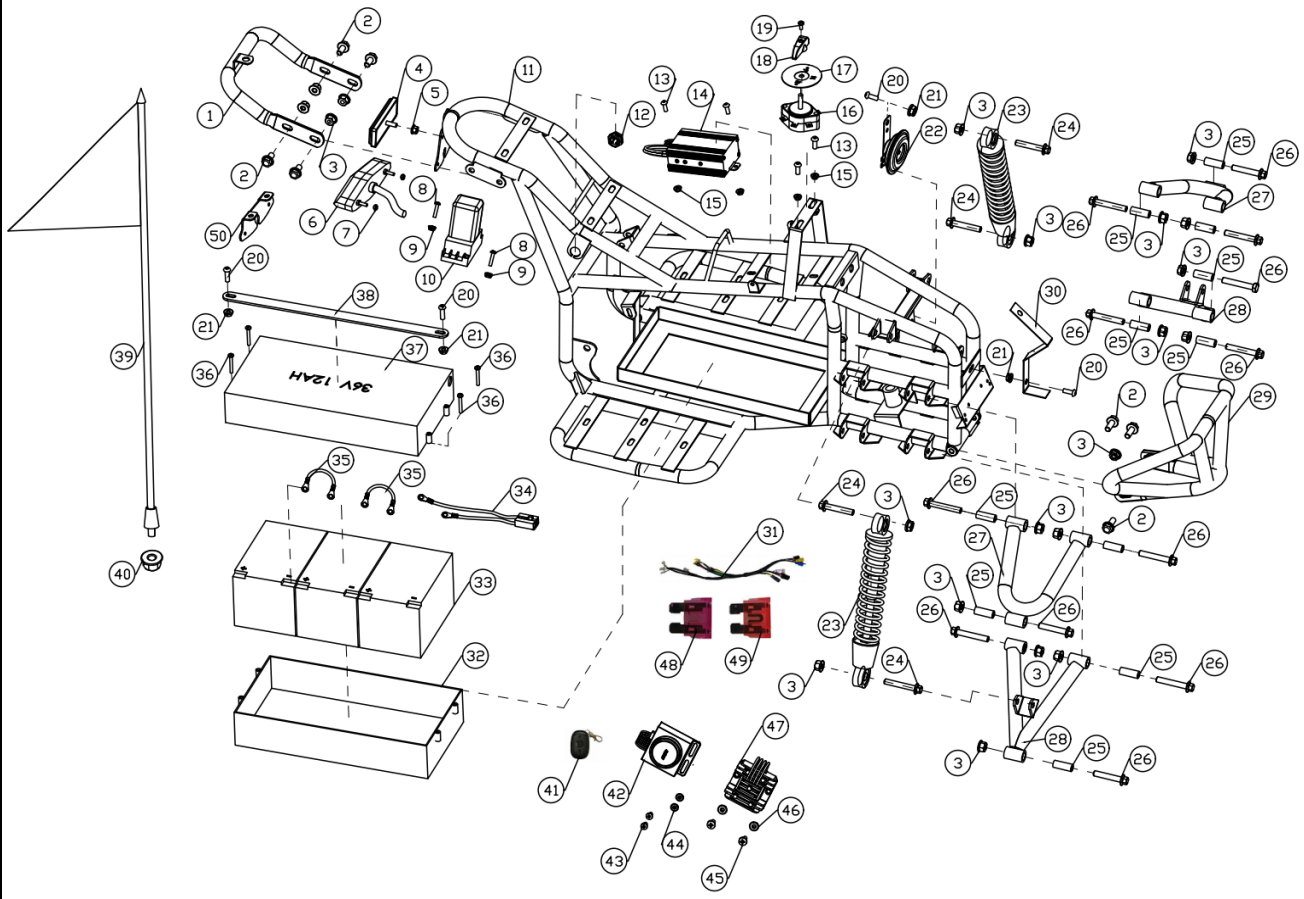
Frame and accessories assembly



29	17808000030	Front bumper
30	17808000040	Plastic fixing frame
31-1	17809000200	Wire harness

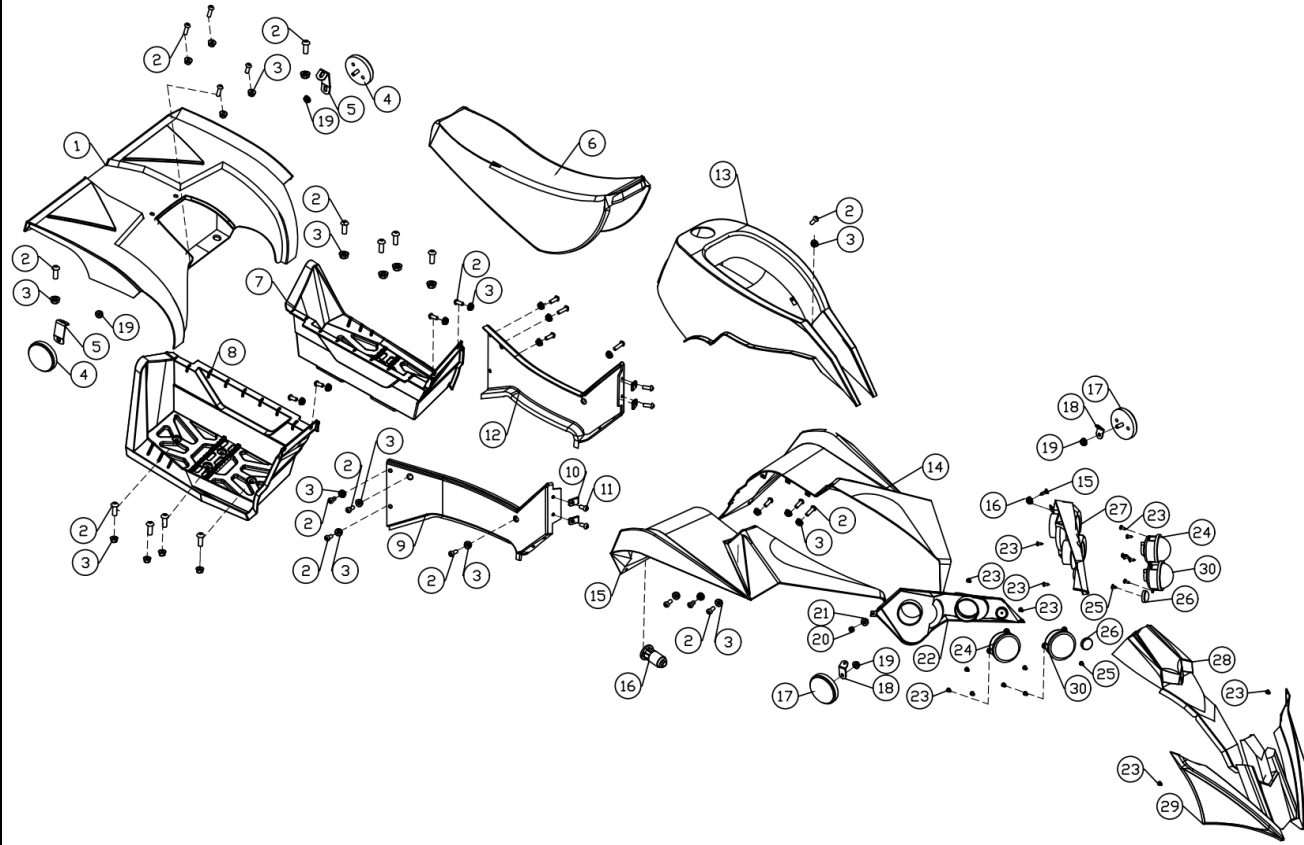
图号 Item No.	ERP 配件编号 ERP NO	英文名称 English name
31-2	17809000310	Wire harness
31-3	17809000370	Wire harness
32	17809020010	Lower cover of battery case
33	17809020020	Lead-acid power battery
34-1	17809000210	Battery pack output harness
34-2	17809000330	Battery pack output harness
35	17809020040	battery cable
36	03714040255YK	Cross recessed pan head tapping screws
37	17809020050	Top cover of battery case
38	17808000050	Battery fixing board
39-1	17814000030	Flagpole
39-2	17814000160	Flagpole
40	04112100025YK	Hexagon flange nut
41	17809000220	Remote control
42	17809000230	Remote receiver
43	03114050165YK	Cross Recess Head Screw
44	04512050025YK	Hexagon nuts with flange, all metal
45	04512060025YK	Hexagon nuts with flange, all metal
46	03114060205YK	Cross Recess Head Screw
47	17809000240	DC-Convertor
48	17809000250	Fuse

Frame and accessories assembly



49-1	17809000260	Fuse
49-2	17809000390	Fuse
Item No.	PART #	English name
50	17808000130	Rear taillight mounting plate
51		
52		
53		
54		
55		
56		
57		
58		
59		
60		
61		
62		
63		
64		
65		
66		
67		
68		
69		
70		
71		
72		

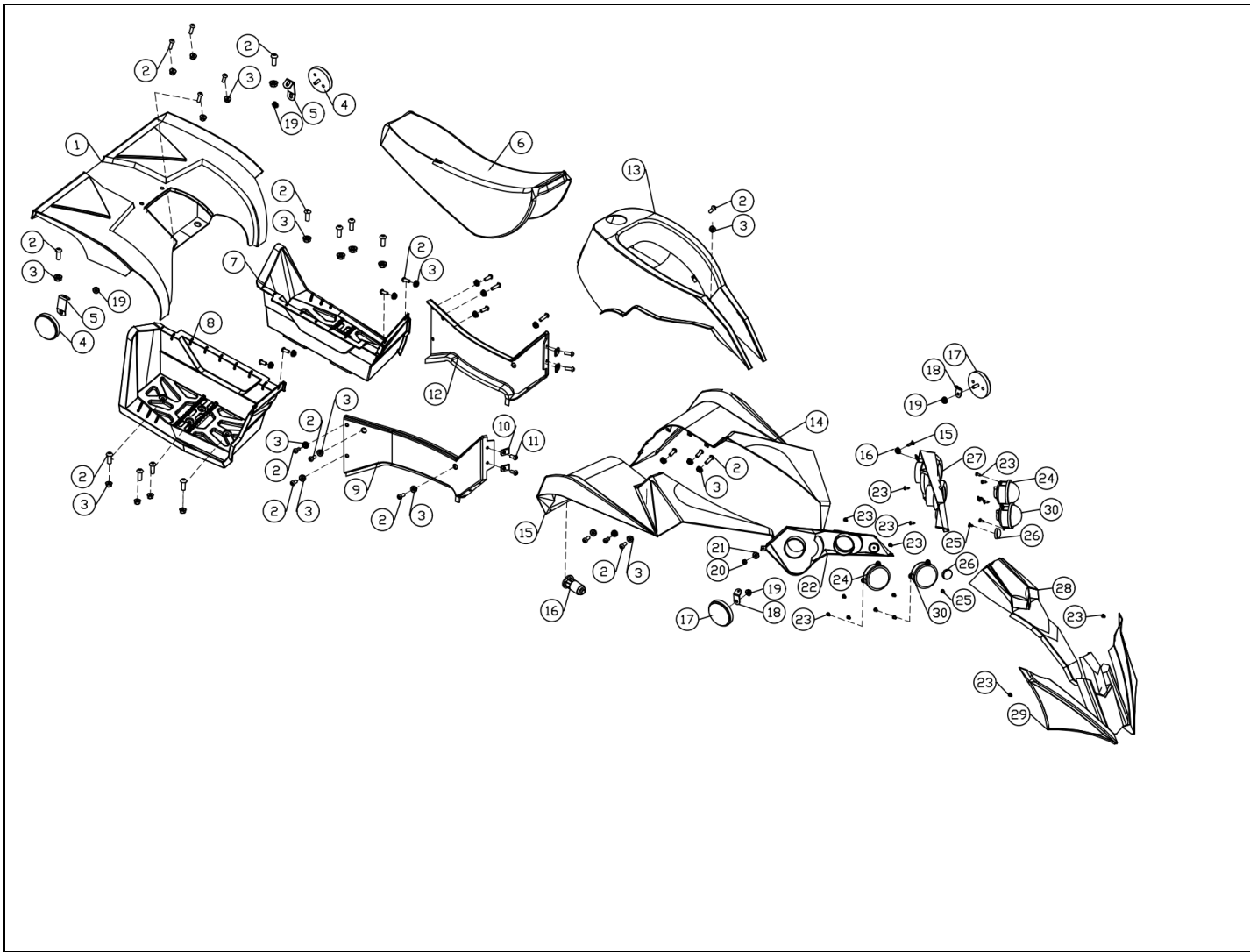
Outer cladding component



Item No.	PART #	English name
1-1	1781000020	Back piece (Black)
1-2	17810000320	Back piece (Pearly white)
1-3	17810000330	Back piece (Champagne gold)
2	03314060165YK	Hexagon socket Head screws (Large pan head)
3	04512060025YK	Hexagon nuts with flange, all metal
4-1	17808000060	Reflector(Round, red)
4-2	17808000140	Reflector(Round, red)
5	17808000070	Mounting frame
6-1	17810000030	Seat cushion (Black, Red)
6-2	17810000160	Seat cushion(Red)
6-3	17810000170	Seat cushion(Blue)
6-4	17810000180	Seat cushion (Black)
7	17810000040	Left Pedal
8	17810000050	Right Pedal
9-1	17810000060	Right-side plastic protective panel(Dark Blue)
9-2	17810000190	Right-side plastic protective panel(Pearly white)
9-3	17810000200	Right-side plastic protective panel(Champagne gold)
9-4	17810000210	Right-side plastic protective panel(Ruby red)
10	04912040025YK	Splint nut
11	03714040135YK	Cross recessed pan head tapping screws
12-1	17810000070	Left-side plastic protective panel(Dark Blue)
12-2	17810000220	Left-side plastic protective panel(Pearly white)
12-3	17810000230	Left-side plastic protective panel(Champagne gold)

Outer cladding component

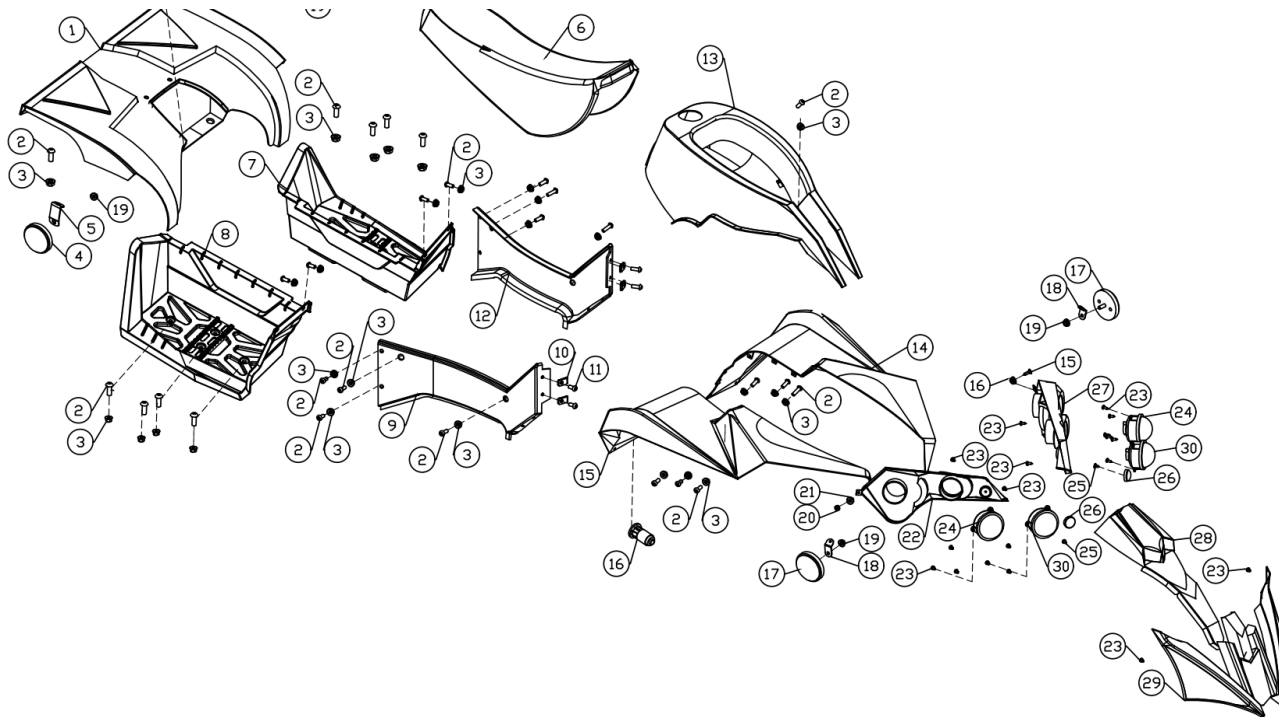
Item No.	PART #	English name
----------	--------	--------------



Outer cladding component



12-4	17810000240	Left-side plastic protective panel (Ruby red)
13-1	17810000080	Plastic front-car protective cover (Dark Blue)
13-2	17810000250	Plastic front-car protective cover (Pearly white)
13-3	17810000260	Plastic front-car protective cover (Champagne gold)
13-4	17810000270	Plastic front-car protective cover (Ruby red)
14-1	17810000090	Left front plastic fender (Black)
14-2	17810000280	Left front plastic fender (Pearly white)
14-3	17810000290	Left front plastic fender (Champagne gold)
15-1	17810000100	Right front plastic fender (Black)
15-2	17810000300	Right front plastic fender (Pearly white)
15-3	17810000310	Right front plastic fender (Champagne gold)
16	17809000050	key switch
17-1	17808000080	Retro reflector (Round, yellow)
17-2	17808000150	Retro reflector (Round, yellow)
18	17808000090	Retro-reflector mounting plate
19	04212060025YK	Hexagon lock nuts with non-metallic insert
20	03114040125YK	Cross recessed pan head tapping screws
21	04512040025YK	Hexagon nuts with flange, all metal
22	17810000110	Right front lamp holder
23	03714040105YK	Cross recessed pan head tapping screws
24-1	17809000270	Headlight
24-2	17809000060	Headlight
25	03714030105YK	Cross recessed pan head tapping screws
Item No.	PART #	English name
26	17810000120	Decorative lamp
27	17810000130	Left front lamp holder
28	17810000140	Car hood decoration cover 1



29	17810000150	Car hood decoration cover 2
30	17810000340	Headlamp decorative lamp
31		
32		
33		
34		
35		
36		
37		
38		
39		
40		
41		
42		
43		
44		
45		
46		
47		
48		

Packing

Item No.	PART #	English name
1-1	17813010300	Warning
1-2	17813020890	Warning
2	17813030880	ASI hangtag
3	17813030890	Warning hangtag (6 years old)
4	17813030900	ATV Hangtag
5	17813030910	CPSC hangtag

6	17813030920	GCC hangtag
7	17813030930	Hangtag of certification
8-1	17813020870	ANSI plate
8-2	17813020890	ANSI plate
9-1	17813020880	VIN plate
9-2	17813020900	VIN plate
10-1	17813010310	Rear left reflective sticker (red)
10-2	17813010320	Rear right reflective sticker (red)
11-1	17813010330	Rear left reflector (red)
11-2	17813010340	Rear right reflective sticker (red)
12	17813010350	Front left reflective sticker (yellow)
13	17813010360	Front right reflective sticker (yellow)
14-1	17813040500	neutral Sticker

Packing	Item No.	PART #	English name
----------------	-----------------	---------------	---------------------

14-6	17813040550	
14-7	17813040560	
15	17814030010	Tire pressure pen mounting frame
16	17814030020	Tire pressure pen
17	17814050170	Owers manual
18-1	17814071110	Color signal (Champagne gold)
18-2	17814071120	Color signal (Dark Blue)
18-3	17814071130	Color signal (Ruby red)
18-4	17814071140	Color signal (Pearly white)

18-5	17814071150	Color signal(Black)
19	17808000100	PVC transparent hose
20	17808000110	Iron Wire
21-1	17814000050	Front bumper bubble bag
21-2	17814000220	Tires bubble bag
21-3	17814000230	Steering Handle bubble bag
21-4	17814000240	rear bumper bubble bag
21-5	17814000250	Flagpole bubble bag
21-6	17814000260	Front shock bubble bag
21-7	17814000270	Braking caliper bubble bag
22	17814000060	Plastic bag
23-1	17814000100	Self-sealing plastic bag (Owers manual)
23-2	17814000210	Self-sealing plastic bag (Fuse)
23-3	17814000300	zippered bag

6、打包附件 Packing

Item No.	PART #	English name
24	17814000070	Plastic Rope
25	17814000080	Packing fastener
26	17814000090	Packing tape
27	17814060420	Bottom of crate
28	17814060430	Top cover of crate
29	17814060440	Cardboard
30	17809000280	Chargers
31-1	17814060450	Carton (neutral)