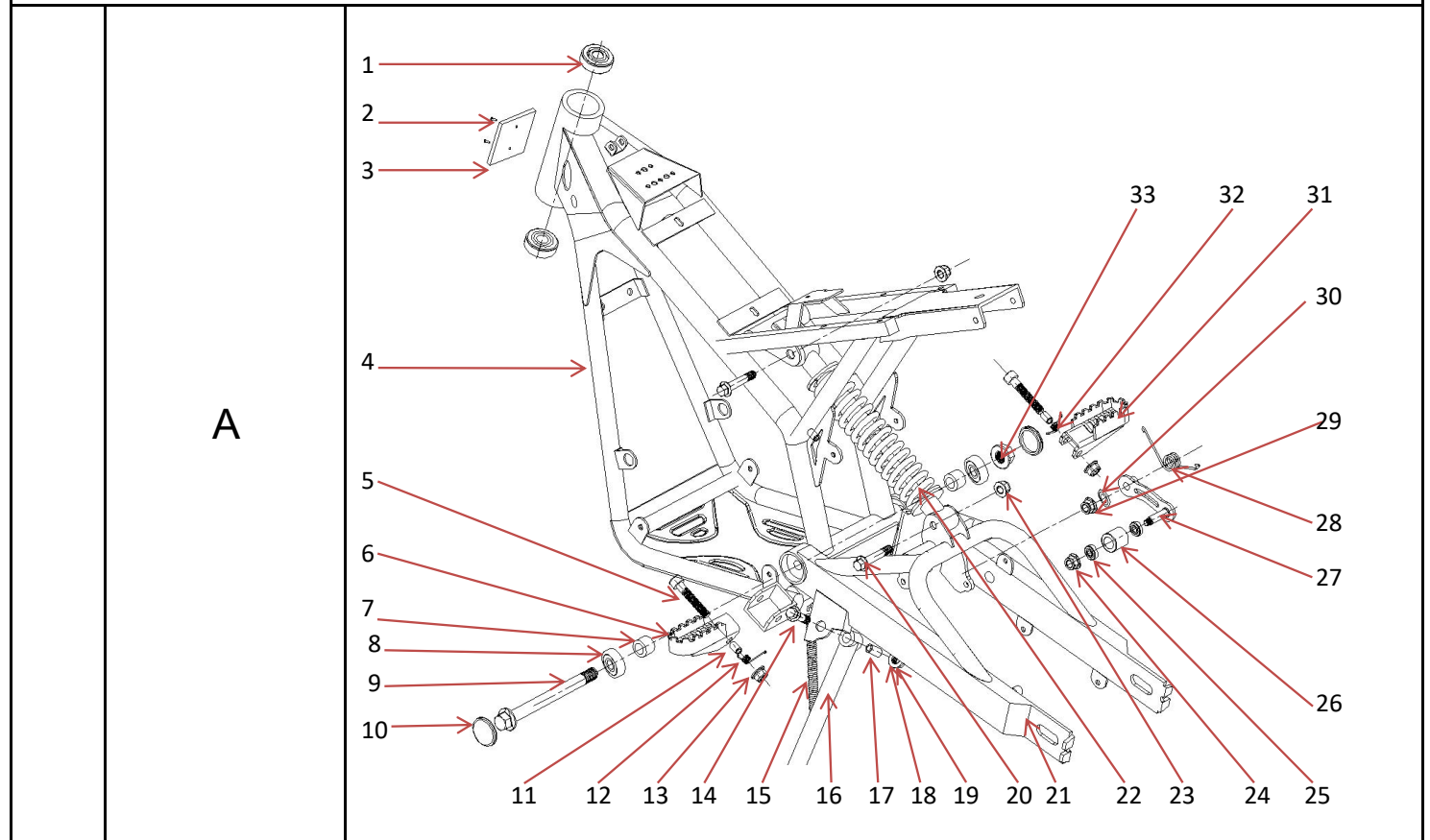




VENOM 1600W PRO 48V ELECTRIC DIRTBIKE

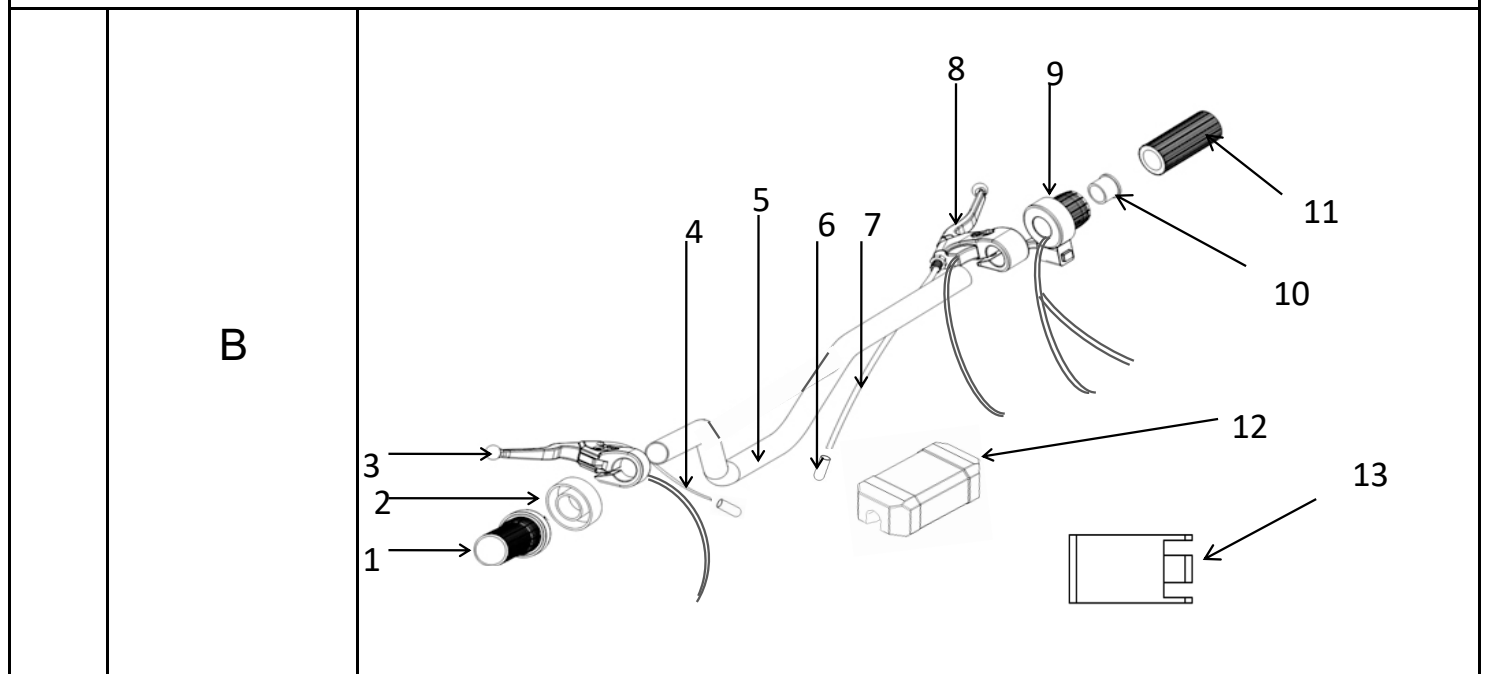
FRAME



	SKU	Spare part name in English	Specification	
A-1	3 012 0090 077	Tapered Bearing Kit Upper	91683/22.5	
	3 012 0100 077	Tapered Bearing Kit Lower	91683/24	
A-3	6 025 0010 026	CE Plate		
A-4	2 001 0430 026	Frame	E-MD07无刷款	
A-6	2 014 0080 026	Footrest, L	新款	
A-31	2 014 0090 026	Footrest, R	新款	
A-7	2 010 0610 088	Rear Swing Arm Spacer	Φ12.5*Φ20*5	
A-8	3 012 0070 077	Rear Swing Arm Bearing	6200	12mm
A-9	8 001 0070 067	Flange Bolt	M12*180	
A-33	8 010 0020 067	Self-lock Nut	M12*1.25	
A-10	6 068 0010 052	Rear Swing Arm Axle	D=32	
A-11	2 010 0570 026	Middle Spacer Of Footrest	Φ8*Φ6-24	
A-12	4 014 0031 052	Left Footrest Spring	新款脚踏专配	
A-32	4 014 0041 052	Right Footrest Spring	新款脚踏专配	
A-15	4 014 0010 052	Side Stand Spring	φ2.5×φ14.5×100mm	
A-16	2 013 0060 026	Side Stand	L: 295mm	
A-17	2 010 0080 088	Side Stand Spacer	Φ16*Φ10*20	
A-21	2 003 0180 026	Rear Swing Arm -12	E-MD07 14/12专用	
A-22	3 004 0260 023	Rear Shock Absorber	φ8.0*250	

A-25	3 012 0110 077	Chain Tensioner Bearing	698	
A-26	3 019 0050 080	Chain Tensioner	新款软制	
A-27	2 023 0050 026	Chain Tensioner Bracket	新款MD07专用	
A-28	4 014 0090 052	Chain Tensioner Spring	新款MD07专用	
A-2	8 017 0070 067	Rivet	3.2*9	
A-5	8 004 0170 067	Hex Socket Cap Bolt	M6*40	
A-13	8 009 0020 067	Lock Nut	M6	
A-14	8 006 0020 067	Hex Socket Cap Bolt	M10*1.5*35	
A-18	8 015 0020 067	Washer	Φ10Φ20*1.5	
A-19	8 009 0040 067	Lock Nut	M10*1.5	
A-20	8 001 0310 067	Flange Bolt	M10*1.25*40	
A-23	8 010 0010 067	Self-lock Nut	M10*1.25	
A-24	8 009 0020 067	Lock Nut	M6	
A-29	8 009 0030 067	Lock Nut	M8	
A-30	8 015 0060 067	Washer	Φ8Φ16*1.0	

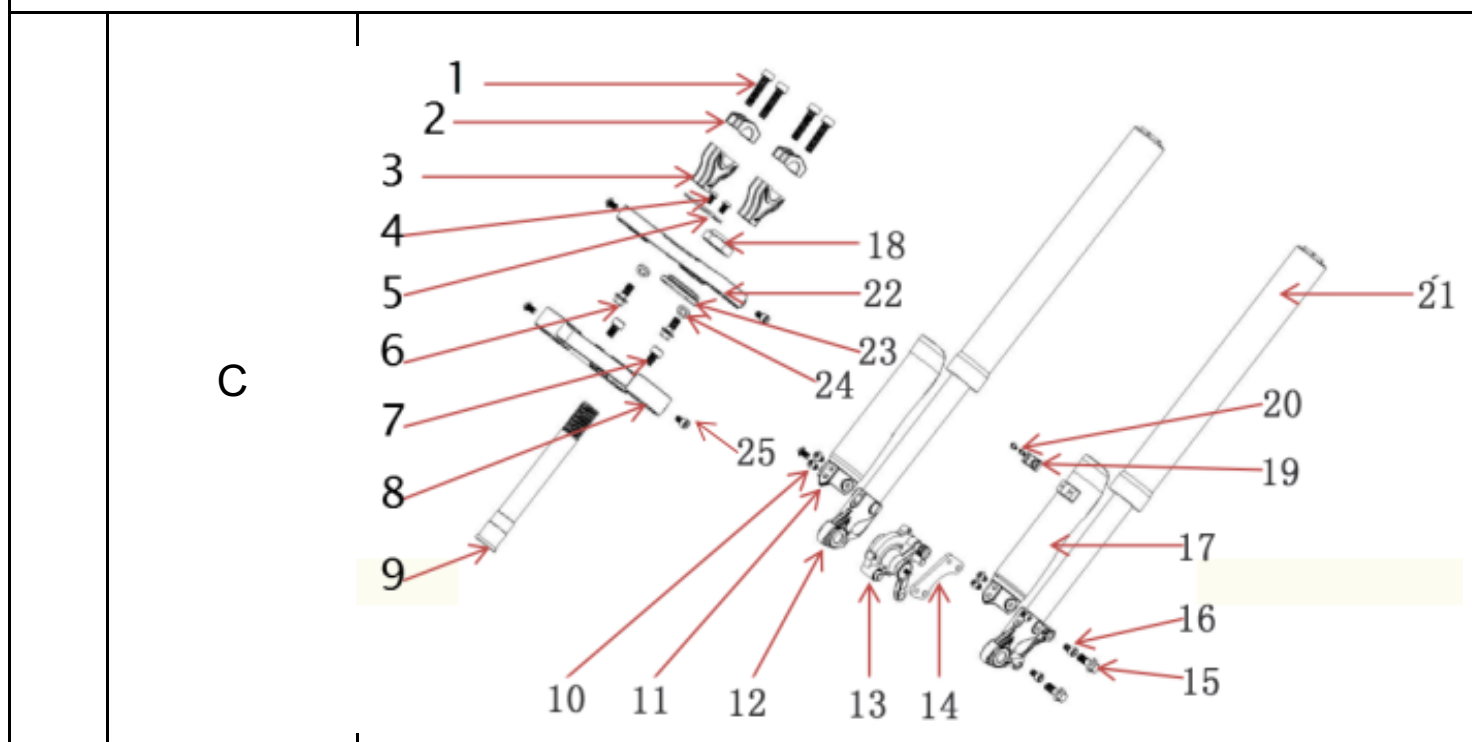
HANDLEBAR



	SKU	Spare part name in English	Specification	
B-1	4 003 0070 001	Left Rubber Grip		
B-2	4 003 0090 001	Left Rubber Grip Holder		
B-3	4 016 0080 099	Left Brake Lever		
B-4	4 022 0030 036	Rear Brake Cable	1100X1250mm	
B-5	2 022 0090 098	Handlebar	总长600mm	
B-6	4 022 0040 036	Brake Cable End Cap		
B-7	4 021 0010 036	Front Brake Cable	850X1000mm	
B-8	4 017 0080 099	Right Brake Lever		
B-9	4 018 0230 001	Throttle Assy With Electric Volume Meter 36V Lithium	48V 锂电电量	
B-10	4 003 0100 001			
B-11	4 003 0080 001	Right Rubber Grip		

B-12	6 004 0030 047	Handlebar Foam		
B-13	6 005 0030 084	Foam Cover		

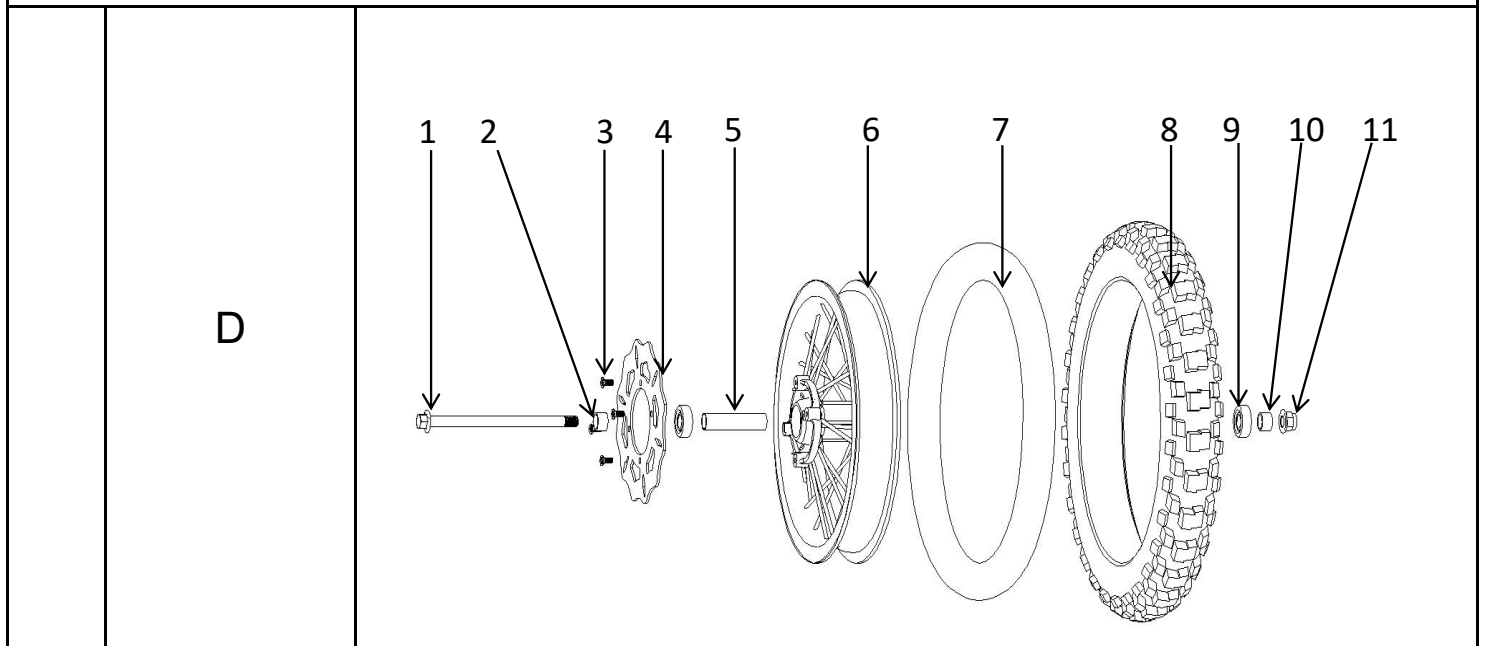
FRONT FORK



	SKU	Spare part name in English	Specification	
C-2	3 007 0040 097	Handlebar Clamp Kit (2pcs/set)		
C-3	3 007 0050 097	Handlebar Holder Kit (2pcs/set)		
C-5	2 031 0170 026	Number Plate Bracket		
C-22	3 006 0130 097	Upper Splintage		14-Dec
C-8	3 006 0140 097	Lower Splintage		14-Dec
C-9	3 006 0150 088	Steering Rod	长度为195mm	195mm
C-11	6 036 0050 064	Front Fork Cover, R		
C-17	6 036 0040 064	Front Fork Cover, L		
C-12	3 003 0250 023	Front Fork, R	Φ39*Φ42 L:630mm	
C-21	3 003 0240 023	Front Fork, L	Φ39*Φ42 L:630mm	
C-13	4 010 0112 103	Front Brake Caliper (mechanical)	E-MD07 正2-7款	
	4 011 0192 104	Front Hydraulic brake assy--with brake power-off switch.(complete with brake lever, pump, hose, caliper)		OPTION
C-14	2 008 0070 026	Front Brake Caliper Bracket		
C-19	6 061 0030 059	Front Brake Cable Holder		
C-18	8 018 0010 052	Nut Cap	M22*1.0	
C-23	8 018 0020 052	Lock Nut	M22	
C-1	8 004 0080 067	Hex Socket Cap Bolt	M8*20	
C-4	8 004 0140 067	Hex Socket Cap Bolt	M6*12	
C-6	8 004 0030 067	Hex Socket Cap Bolt	M10*1.5*25	
C-7	8 004 0090 067	Hex Socket Cap Bolt	M8X16	
C-10	8 003 0050 067	Hex Socket Cap Bolt	M6*8	11mm
C-15	8 001 0350 067	Flange Bolt	M6*25	
C-16	8 004 0140 067	Hex Socket Cap Bolt	M6*12	

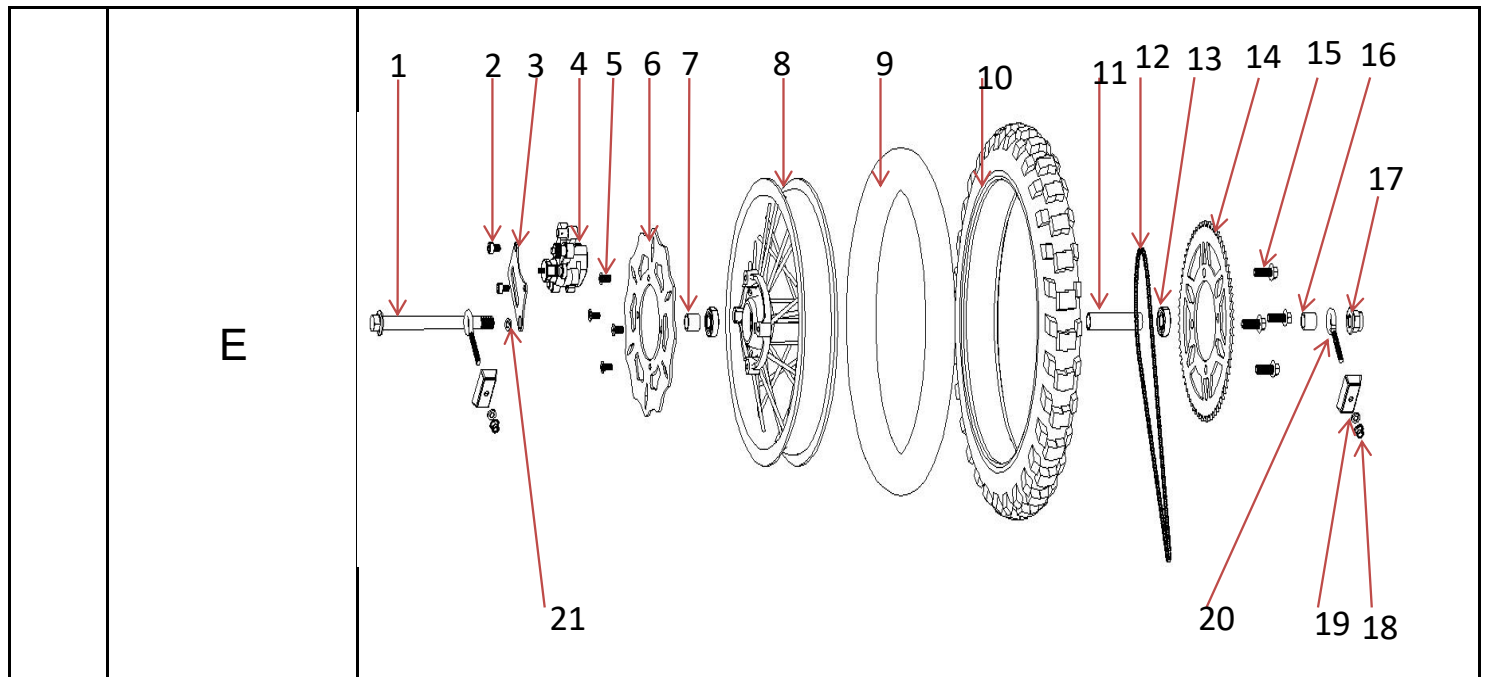
C-20	8 008 0040 067	Philip's Head Screw	M4*12	
C-24	8 016 0030 067	Spring Washer	Φ10	
C-25	8 004 0080 067	Hex Socket Cap Bolt	M8X20	

FRONT WHEEL & TIRE



	SKU	Spare part name in English	Specification	
D-2	2 010 0500 088	Front Wheel Spacer, L	Φ12.5*Φ20*25	
D-4	4 013 0171 103	Front Wheel Brake Disc	Φ180mm*2.0	
D-5	2 010 0510 033	Middle Spacer Of Front Wheel	Φ12.5*Φ16*54	
D-6	3 001 0230 033	Front Wheel	1.4*14	
D-7	3 002 0300 028	Front Wheel Inner Tube		
D-8	3 002 0290 028	Front Wheel Outer Tire	60/100-14	
D-9	3 012 0120 033	Front Wheel Bearing	6301	
D-10	2 010 0520 088	Front Wheel Spacer, R	Φ12.5*Φ20*23	
D-1	8 001 0040 067	Flange Bolt(Front wheel axle)	M12*1.25*200	
D-11	8 010 0020 067	Self-lock Nut	M12*1.25	
D-3	8 002 0040 067	Hex Socket Cap Bolt	M6*16	

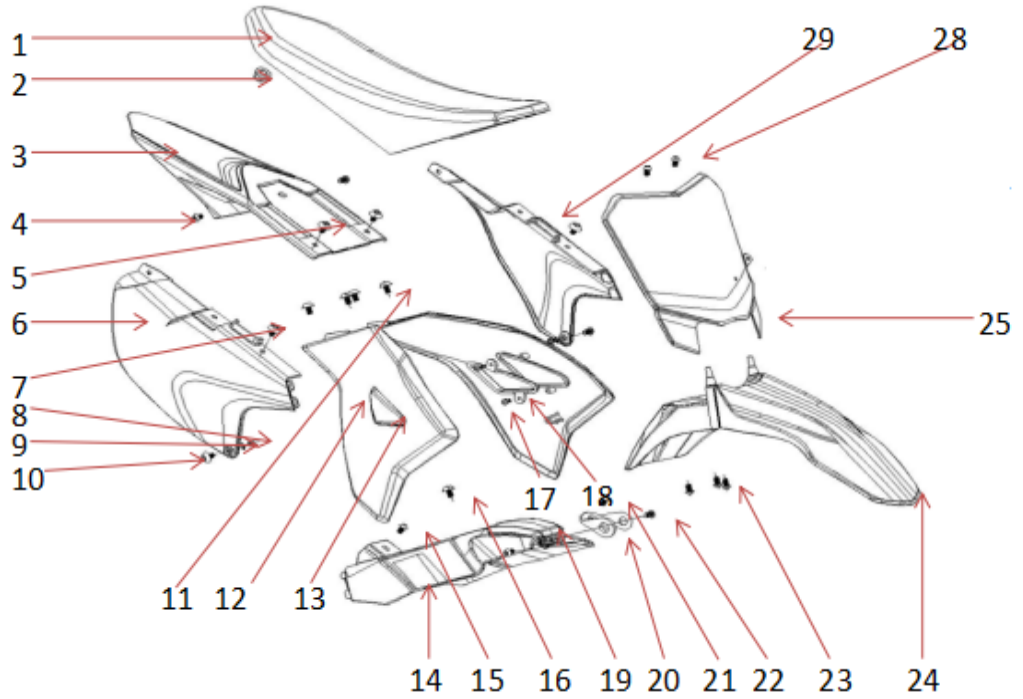
REAR WHEEL & TIRE



	SKU	Spare part name in English	Specification	
E-3	2 008 0080 026	Rear Brake Caliper Holder		E-MD07 14/12 (180mm)
E-4	4 010 0112 103	Rear Brake Caliper (mechanical)	E-MD07 正2-7款	
	4 011 0211 104	Rear Hydraulic brake assy--with brake power-off switch.(complete with brake lever, pump, hose, caliper)		OPTION
E-6	4 013 0171 103	Rear Brake Disc	Φ180mm*2.0	
E-7	2 010 0530 026	Rear Wheel Spacer, L	Φ12.5*Φ20*17	
E-8	3 001 0240 033	Rear Wheel	1.85*12	
E-9	3 002 0320 028	Rear Wheel Inner Tube	12"	
E-10	3 002 0310 028	Rear Wheel Outer Tire	80/100-12	
E-11	2 010 0540 033	Middle Spacer Of Rear Wheel	Φ12*Φ16*72	
E-12	4 020 0240 096	Chain	219H-126 links	
E-13	3 012 0120 033	Rear Wheel Bearing	6301	
E-14	4 019 0130 016	Rear sprocket	219H76T	
E-16	2 010 0550 026	Rear Wheel Spacer, R	Φ12.5*Φ20*34	
E-20	3 009 0020 086	Chain Adjuster	Φ12*45	
E-1	8 001 0070 067	Flange bolt (Rear Wheel Axlle)	M12*1.25*180	
E-17	8 010 0020 067	Self-lock Nut	M12*1.25	
E-2	8 004 0140 067	Hex Socket Cap Bolt	M6*12	
E-5	8 002 0040 067	Hex Socket Cap Bolt	M6*16	
E-15	8 001 0500 067	Flange Bolt	M8*16	
E-18	8 009 0020 067	Lock Nut	M6	
E-19	8 016 0030 067	Spring Washer	Φ6	
E-22	8 015 0030 067	Washer	Φ12*24*3	

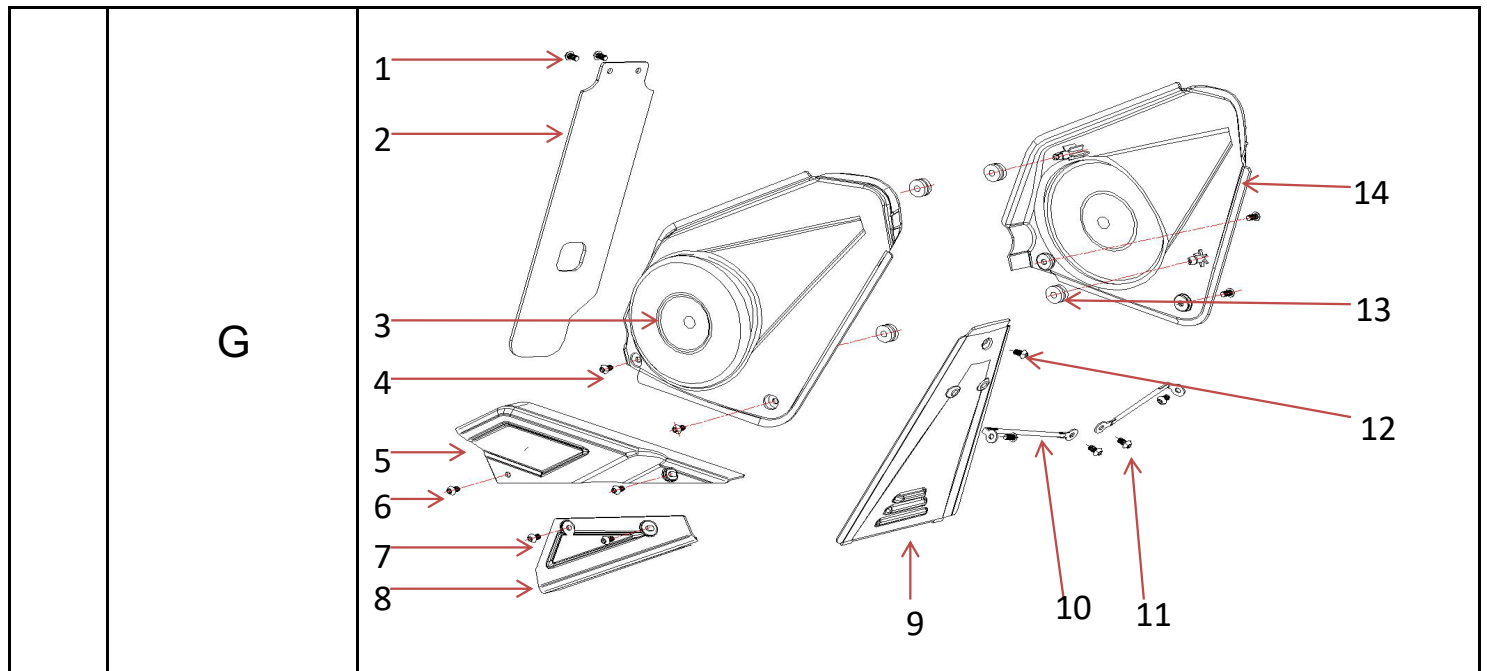
PLASTIC BODY

F



	SKU	Spare part name in English	Specification	
F-1	6 001 0150 062	Seat		
F-3	6 014 0010 064	Tail Plastic		
F-6	6 018 0020 064	Rear Plastic Cover, R		
F-29	6 017 0110 064	Rear Plastic Cover, L		
F-12	6 016 0030 064	Front Plastic Cover, R		
F-30	6 015 0120 064	Front Plastic Cover, L		
F-14	6 042 0040 064	Fuel Tank	E-MD07专用	
F-13	6 016 0040 064	Decorative Triangle Plastic, R		
F-18	6 015 0050 064	Decorative Triangle Plastic, L		
F-19	6 042 0060 064	Fuel Tank Cap		
F-20	2 011 0070 026	Fuel Tank Cap Holder		
F-24	6 013 0050 059	Front Mud-guard		
F-25	6 011 0040 059	Number Plate		
F-2	8 009 0030 067	Lock Nut	M8	
F-4	8 002 0010 067	Hex Socket Cap Bolt	M6*12	
F-5	8 005 0040 067	Philip's Head Screw	M5*25	
F-7	8 013 0020 067	Non-slip Nut	M5	
F-8	8 009 0020 067	Lock Nut	M6	
F-9	8 015 0050 067	Washer	Φ6*Φ16*1.5	
F-10	8 002 0040 067	Hex Socket Cap Bolt	M6*16	
F-11	8 005 0010 067	Philip's Head Screw	M5*8	
F-15	8 003 0020 067	Hex Socket Cap Bolt	M6*16	
F-16	8 003 0010 067	Hex Socket Cap Bolt	M6*12	
F-17	8 008 0030 067	Lock Nut	M4*10	
F-21	8 002 0010 067	Hex Socket Cap Bolt	M6*12	
F-22	8 004 0140 067	Hex Socket Cap Bolt	M6*12	
F-23	8 003 0010 067	Hex Socket Cap Bolt	M6*12	
F-28	8 003 0010 067	Hex Socket Cap Bolt	M6*12	

PLASTIC PARTS

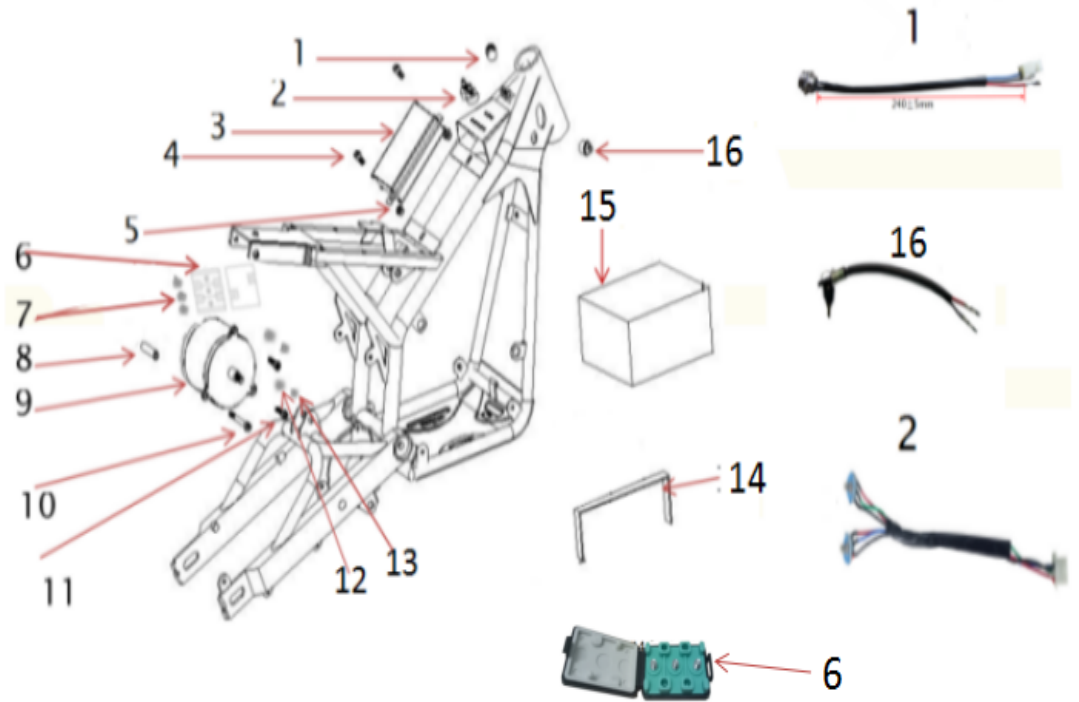


G

	SKU	Spare part name in English	Specification	
G-2	6 069 0010 085	Rear Mud-guard		
G-3	6 040 0141 059	Frame Cover, R		
G-14	6 039 0181 059	Frame Cover, L		
G-5	6 034 0151 059	Chain Cover, Upper		
G-8	6 034 0160 064	Chain Cover, Down		
G-9	6 034 0161 059	Frame Cover, FRONT		
G-10	2 011 0080 026	Front Plastic Holder Bracket		
G-13	6 008 0010 052	Rubber Plug		
G-1	8 003 0010 067	Hex Socket Cap Bolt	M6*12	
G-4	8 003 0050 067	Hex Socket Cap Bolt	M6*8	
G-6	8 003 0050 067	Hex Socket Cap Bolt	M6*8	
G-7	8 003 0050 067	Hex Socket Cap Bolt	M6*8	
G-11	8 002 0040 067	Hex Socket Cap Bolt	M6*16	
G-12	8 002 0010 067	Hex Socket Cap Bolt	M6*12	

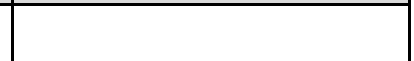
ELECTRIC PARTS

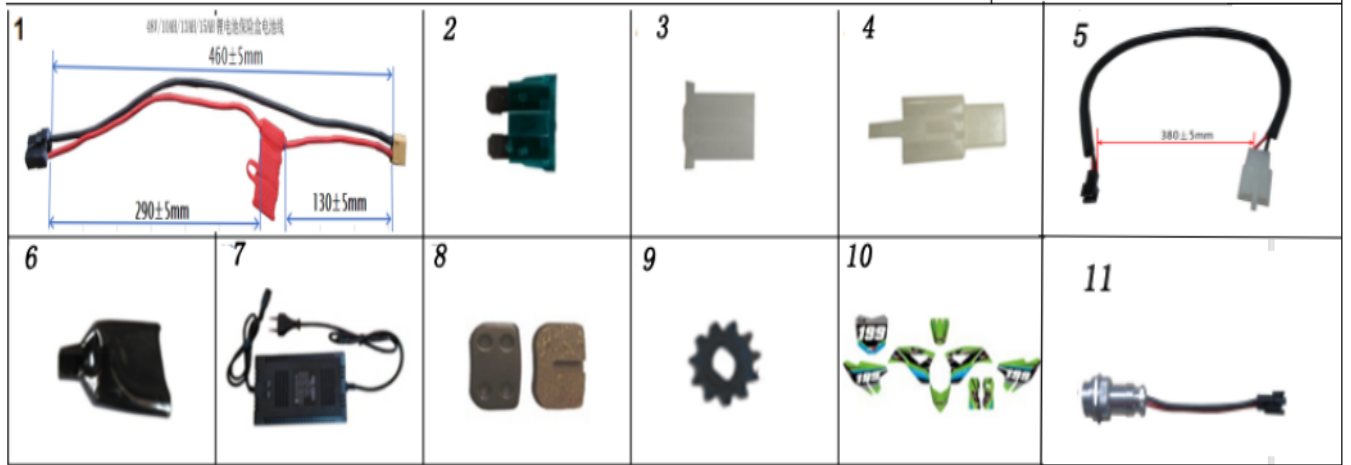
H



	SKU	Spare part name in English	Specification	
H-1	5 001 0410 113	Charger Port	for 48v li-battery only	
H-2	5 001 0211 113	2 Adjustable Function Wiring		
H-3	5 020 0380 108	Controller 48V/1500W	48V1500W	
H-6	6 036 0010 052	Wiring junction box		
H-8	2 010 0560 026	Spacer	Φ8*14*20	
H-9	5 019 0130 108	Brushless Motor 48V/1500W	48V1500W	
H-14	6 027 0050 052	Battery Belt	L:260mm	
H-15	5 037 0080 008	LITHIUM Battery Group 48V10AH	48V10AH (5C)	
	5 037 0090 008	LITHIUM Battery Group 48V13AH	48V13AH	OPTION
	5 037 0100 008	LITHIUM Battery Group 48V15AH	48V15AH	OPTION
H-16	5 001 0220 013	Key Switch Assy	ED11	
H-4	8 004 0110 067	Hex Socket Cap Bolt	M6*16	
H-5	8 013 0010 067	Non-slip Nut	M6	
H-6	8 009 0020 067	Lock Nut	M6	
H-7	8 009 0010 067		M5	
H-10	8 004 0160 067	Hex Socket Cap Bolt	M6*80	
H-11	8 004 0100 067	Hex Socket Cap Bolt	M6*20	
H-12	8 015 0050 067	Washer	Φ6*Φ16*1.5	
H-13	8 016 0020 067	Spring Washer	Φ6	

WIRINGS





	SKU	Spare part name in English	Specification	
I-1	5 001 0203 113	fues box wiring for lithium battery	for 48v li-battery only	460±5mm 290+130mm, 48V
I-2	5 016 0031 013	Fuse 35A	35A	
I-3	5 035 0020 052	plug for charge port		
I-4	5 035 0030 052	plug for key switch		
I-5	5 001 0400 113	Charging adaptor wiring	for 48v li-battery only	48V
I-11	5 001 0380 113	Charging adaptor plug	for 48v li-battery only	48V
I-6	6 059 0010 082	wiring protective cover		
I-7	5 026 0200 039	48V charger for lithium battery	48V2A	
I-8	4 023 0100 103	mechanical brake pad,2pcs/set	铜基	
	4 023 0080 104	hydraulic brake pad,2pcs/set	for hydraulic brake only	OPTION
I-9	4 019 0142 108	motor sprocket	219H/10T	
I-10	6 026 0190 084	graphic sticker kits		