

LIFAN X-PECT 200 DUAL SPORT PARTS CATALOG



LF200GY-4R F-06 挡泥板、座垫 FENDER & SEAT

F-06 挡泥板、座垫 FENDER & SEAT



Part No.	Description		Unit	Remark
XPECTF06-01	Front Fender		PC	
XPECTF06-02	Seat Mounting Bracket		PC	
XPECTF06-03	Seat Assy		PC	
XPECTF06-04	Rear Reflector		PC	
XPECTF06-05	Ornament, Rear Guard Panel		PC	
XPECTF06-06	Rear Fender		PC	
XPECTF06-07	Rear Handrail, RH		PC	
XPECTF06-08	Rear Handrail, LH		PC	
XPECTF06-09	Rear License Plate Bracket		PC	
XPECTF06-10	Side Reflector		PC	

LF200GY-4R F-07 覆盖件 COVER

F-07 覆盖件 COVER



Part No.	Description		Unit	Remark
XPECTF07-01	Fuel Tank Cover Lining, LH		PC	
XPECTF07-02	Fuel Tank Cover, LH		PC	
XPECTF07-03	Fuel Tank Cover Lining, RH		PC	
XPECTF07-04	Fuel Tank Cover Lining, RH		PC	
XPECTF07-05	Cover, Right Side		PC	
XPECTF07-06	Cover, Left Side		PC	
XPECTF07-07	Body Cover, Right		PC	
XPECTF07-08	Body Cover, Left		PC	
XPECTF07-09	Cover Comp., Tail		PC	
XPECTF07-10	Fuse box holder		PC	
XPECTF07-11	Battery Cover		PC	
XPECTF07-12	Pressing Plate, Battery		PC	

LF200GY-4R F-08 油箱 FUEL TANK

F-08 油箱 FUEL TANK



Part No.	Description		Unit	Remark
XPECTF08-01	Lock Kit		SET	
XPECTF08-02	Rubber Jacket,Fuel Tank Prop		PC	
XPECTF08-03	Fuel Tank Comp.		PC	
XPECTF08-04	Sensor, Fuel Level		PC	
XPECTF08-05	Fuel Switch Assy.		PC	
XPECTF08-06	Pad,Fuel Tank Cushion		PC	
XPECTF08-07	Fuel Hose		PC	
XPECTF08-08	Fuel Hose II		PC	
XPECTF08-09	Sub-Fuel Tank Comp.		PC	
XPECTF08-10	Fuel Pump		PC	
XPECTF08-11	Fuel Pipe		PC	

LF200GY-4R F-09 前轮 FRONT WHEEL

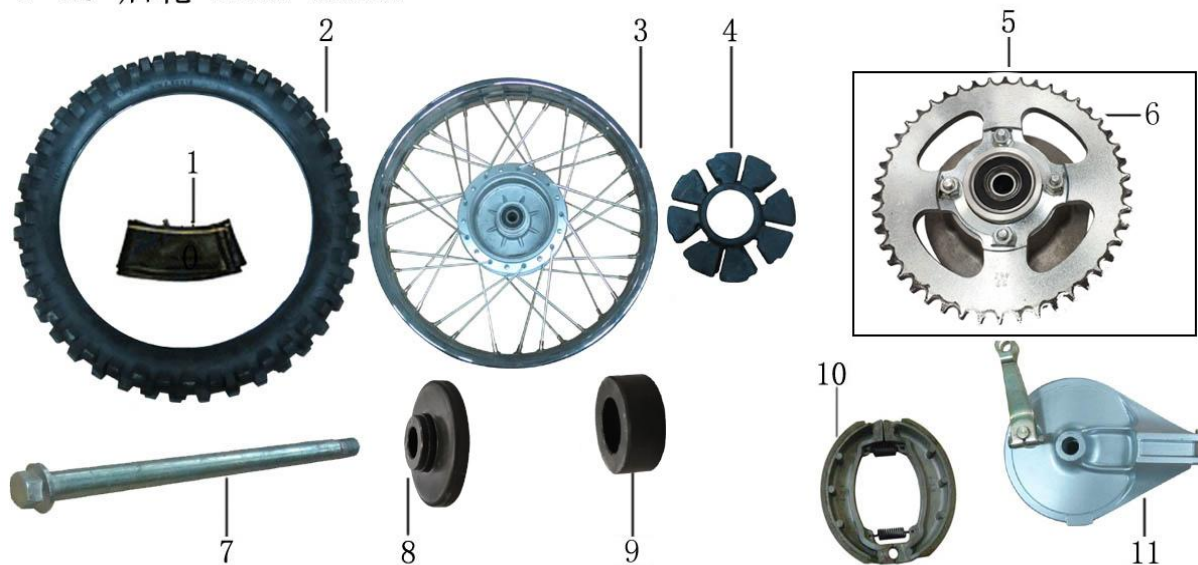
F-09 前轮 FRONT WHEEL



Part No.	Description		Unit	Remark
XPECTF09-01	Tube,Front Wheel		PC	
XPECTF09-02	Tire,Front Wheel		PC	
XPECTF09-03	Wheel,Front		PC	
XPECTF09-04	Disk Comp.,Front Brake		PC	
XPECTF09-05	Axle,Front Wheel		PC	
XPECTF09-06	Bush, Front Wheel, LH		PC	
XPECTF09-07	Speed Sensor		PC	
XPECTF09-08	Disc-Brake Assy.,Front		PC	
XPECTF09-09	Pad Comp.,Front Brake		Set	
XPECTF09-10	Front Brake Lever		PC	
XPECTF09-11	Switch, Front Brake		PC	

LF200GY-4R F-10 后轮 REAR WHEEL

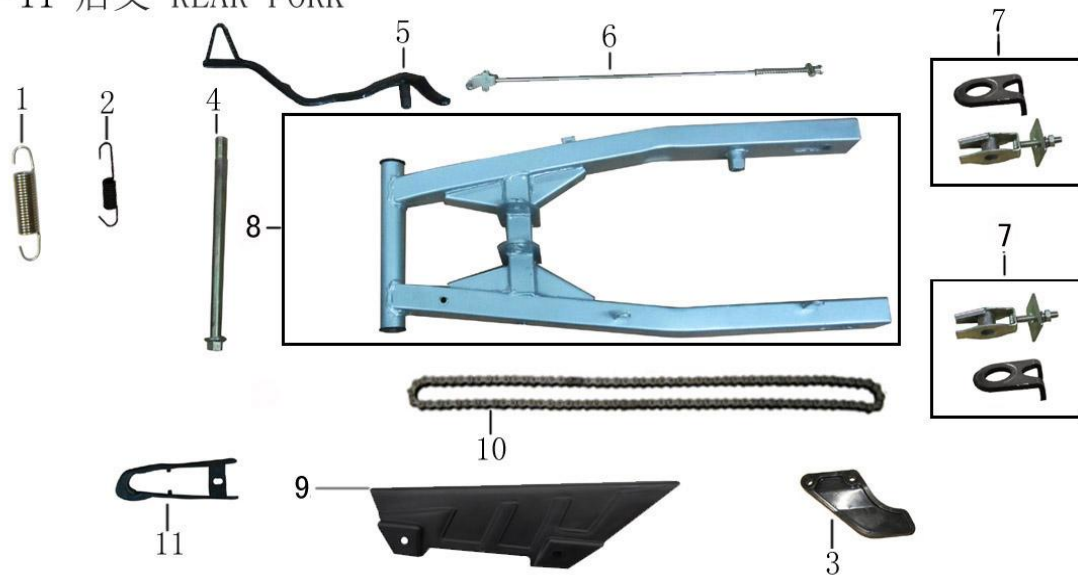
F-10 后轮 REAR WHEEL



Part No.	Description		Unit	Remark
XPECTF10-01	Tube,Rear Wheel		PC	
XPECTF10-02	Tire,Rear Wheel		PC	
XPECTF10-03	Wheel,Rear		PC	
XPECTF10-04	Rear Wheel Buffer		PC	
XPECTF10-05	Hub Assy, Sprocket		PC	
XPECTF10-06	Sprocket		PC	
XPECTF10-07	Axle,Rear Wheel		PC	
XPECTF10-08	Rear Wheel Bush, LH		PC	
XPECTF10-09	Rear Wheel Bush, RH		PC	
XPECTF10-10	Rear Brake Assy		PC	
XPECTF10-11	Rear Brake Shoe Comp.		SET	

LF200GY-4R F-11 后叉 REAR FORK

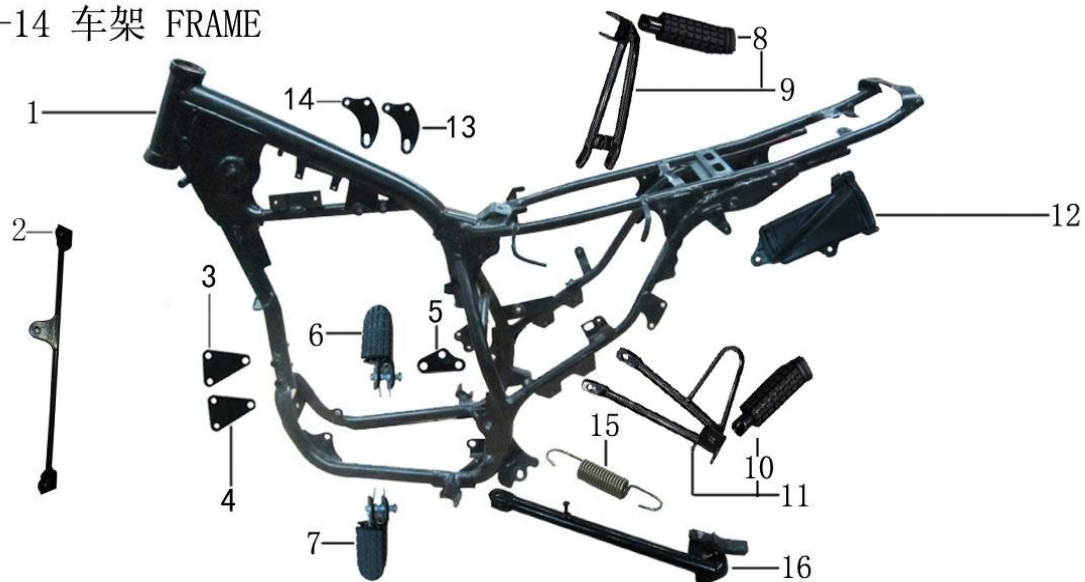
F-11 后叉 REAR FORK



Part No.	Description		Unit	Remark
XPECTF11-01	Return Spring,Rear Brake Pedal		PC	
XPECTF11-02	Extension Spring,Rear Brake Switch		PC	
XPECTF11-03	Chain Link Guard Shield		PC	
XPECTF11-04	Axle, Rear Fork		PC	
XPECTF11-05	Pedal Comp.,Rear Brake		PC	
XPECTF11-06	Rod Comp.,Rear Brake		PC	
XPECTF11-07	Adjuster,Drive Chain		PC	
XPECTF11-08	Welding Comp.,Rear Fork		PC	
XPECTF11-09	Case,Drive Chain		PC	
XPECTF11-10	Chain,Drive 08MC×128		PC	
XPECTF11-11	Slider,Drive Chain		PC	

LF200GY-4R F-14 车架 FRAME

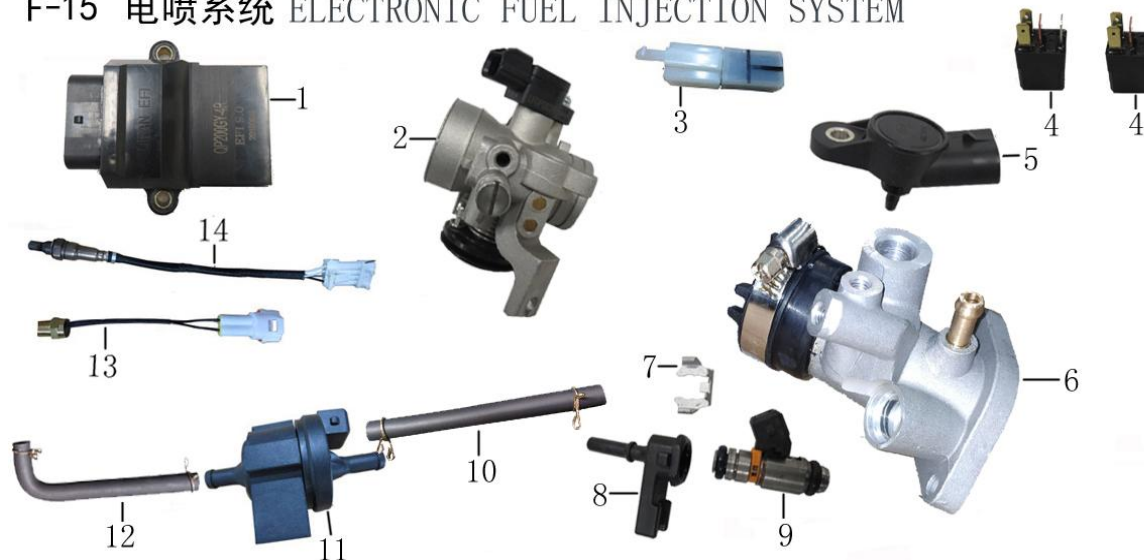
F-14 车架 FRAME



Part No.	Description		Unit	Remark
XPECTF14-01	Body Comp.,Frame		PC	
XPECTF14-02	Bracket, Fuel Tank Cover		PC	
XPECTF14-03	Plate,Front Engine Hanger Right		PC	
XPECTF14-04	Plate,Front Engine Hanger Left		SET	
XPECTF14-05	Plate,Rear Engine Hanger		PC	
XPECTF14-06	Footrest, Rider, RH		PC	
XPECTF14-07	Footrest, Rider, LH		PC	
XPECTF14-08	Step,Right Pillion		PC	
XPECTF14-09	Passenger Footrest Comp.,RH		PC	
XPECTF14-10	Step,Left Pillion		PC	
XPECTF14-11	Passenger Footrest Comp.,LH		PC	
XPECTF14-12	Tool Box		PC	
XPECTF14-13	Plate,Upper Engine Hanger Left		PC	
XPECTF14-14	Plate,Upper Engine Hanger Right		PC	
XPECTF14-15	Spring,Side Stand		PC	
XPECTF14-16	Side Stand Comp.		PC	

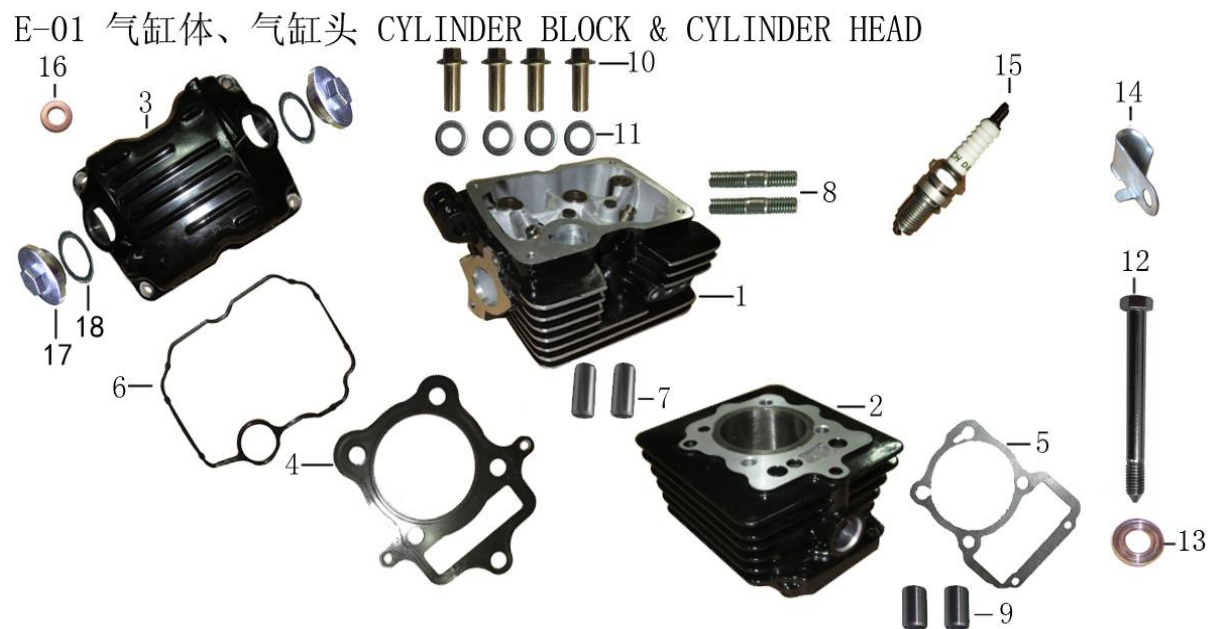
LF200GY-4R F-15 电喷系统 EFI SYSTEM

F-15 电喷系统 ELECTRONIC FUEL INJECTION SYSTEM



Part No.	Description		Unit	Remark
XPECTF15-01	EFI Controller		PC	
XPECTF15-02	Throttle Body		PC	
XPECTF15-03	Air Temperature Sensor		PC	
XPECTF15-04	EFI Main Relay		PC	
XPECTF15-05	Intake pressure sensor		PC	
XPECTF15-06	Intake manifold comp		PC	
XPECTF15-07	Spacer, Injector		PC	Canceled
XPECTF15-08	Rail, fuel		PC	
XPECTF15-09	Injector		PC	
XPECTF15-10	Pipe, idling gulp valve inlet		PC	
XPECTF15-11	Valve, carbon canister		PC	
XPECTF15-12	Pipe, idling gulp		PC	
XPECTF15-13	Cylinder temperature sensor		PC	
XPECTF15-14	Oxygen sensor		PC	

162FML-2L E-01 气缸体、气缸头 CYLINDER BLOCK & CYLINDER HEAD



Part No.	Description	QTY	Unit
163FMLE01-01	Cylinder Head Comp	1	PCS
163FMLE01-02	Cylinder Block Comp	1	PCS
163FMLE01-03	Cylinder Head Cover	1	PCS
163FMLE01-04	Cylinder Head Gasket Comp	1	PCS
163FMLE01-05	Gasket, Cylinder Block	1	PCS
163FMLE01-06	Cylinder Head Cover Gasket	1	PCS
163FMLE01-07	Cylinder Head Dowel Pin $\Phi 10 \times 20$	2	PCS
163FMLE01-08	Stud M8 \times 40	2	PCS
163FMLE01-09	Crankcase Dowel Pin $\Phi 10 \times 14$	2	PCS
163FMLE01-10	Cap Nut	4	PCS
163FMLE01-11	Washer	4	PCS
163FMLE01-12	Cylinder Head Screw M8 \times 84.6	1	PCS
163FMLE01-13	Cylinder Head Washer	1	PCS
163FMLE01-14	Ignition Coil Wire Clip	1	PCS
163FMLE01-15	Spark Plug DR8EA、NGK	1	PCS
163FMLE01-16	Cylinder Head Cover Oil Passage Washer	1	PCS
163FMLE01-17	Valve Cover	2	PCS
163FMLE01-18	Valve Cover O-Ring	2	PCS

162FML-2L E-02 配气机构 CAMSHAFT & VALVES

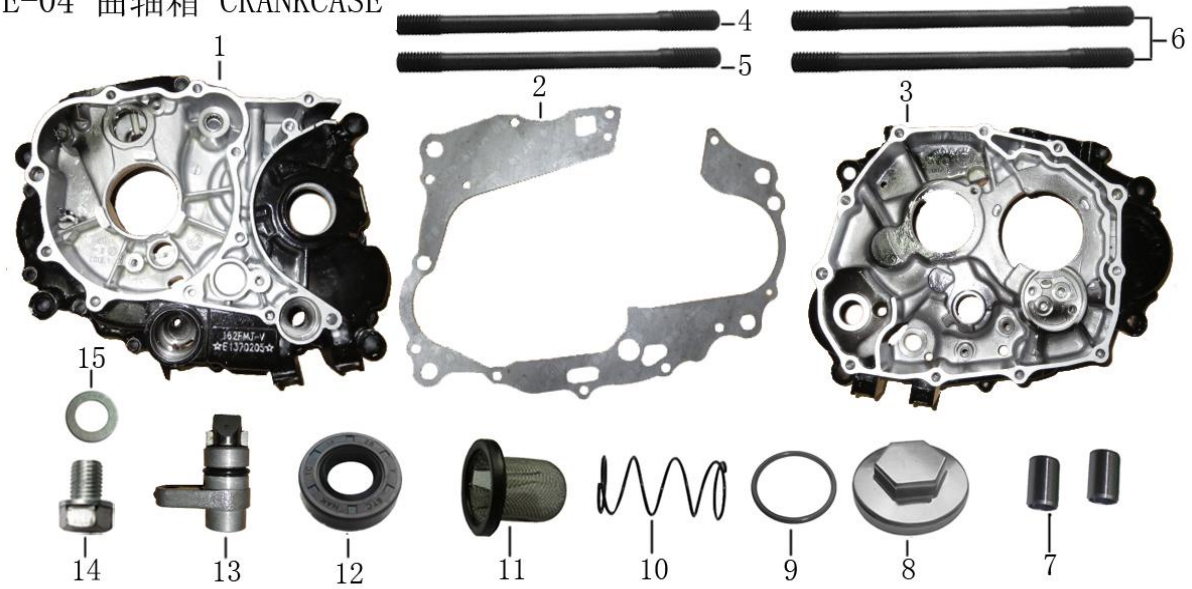
E-02 配气机构 CAMSHAFT & VALVES



Part No.	Description	QTY	Unit
163FMLE02-01	Rocker Bracket Comp	1	PCS
163FMLE02-02	Intake Valve	1	PCS
163FMLE02-03	Exhaust Valve	1	PCS
163FMLE02-04	Valve Split Cone	4	PCS
163FMLE02-05	Valve Spring Retainer	2	PCS
163FMLE02-06	Valve Stem Seal	2	PCS
163FMLE02-07	Valve Inner Spring Seat	2	PCS
163FMLE02-08	Valve Spring Outer Seat	2	PCS
163FMLE02-09	Valve Outer Spring	2	PCS
163FMLE02-10	Valve Inner Spring	2	PCS
163FMLE02-11	Timing Driven Gear Set	1	PCS
163FMLE02-12	Camshaft Adjusting Shim	1	PCS
163FMLE02-13	Camshaft	1	PCS
163FMLE02-14	Camshaft O-Ring	1	PCS
163FMLE02-15	Camshaft Spring	1	PCS
163FMLE02-16	Camshaft Stopper	1	PCS
163FMLE02-17	Rocker Arm Pusher	2	PCS
163FMLE02-18	Lower Rocker O-Ring	1	PCS

162FML-2L E-04 曲轴箱 CRANKCASE

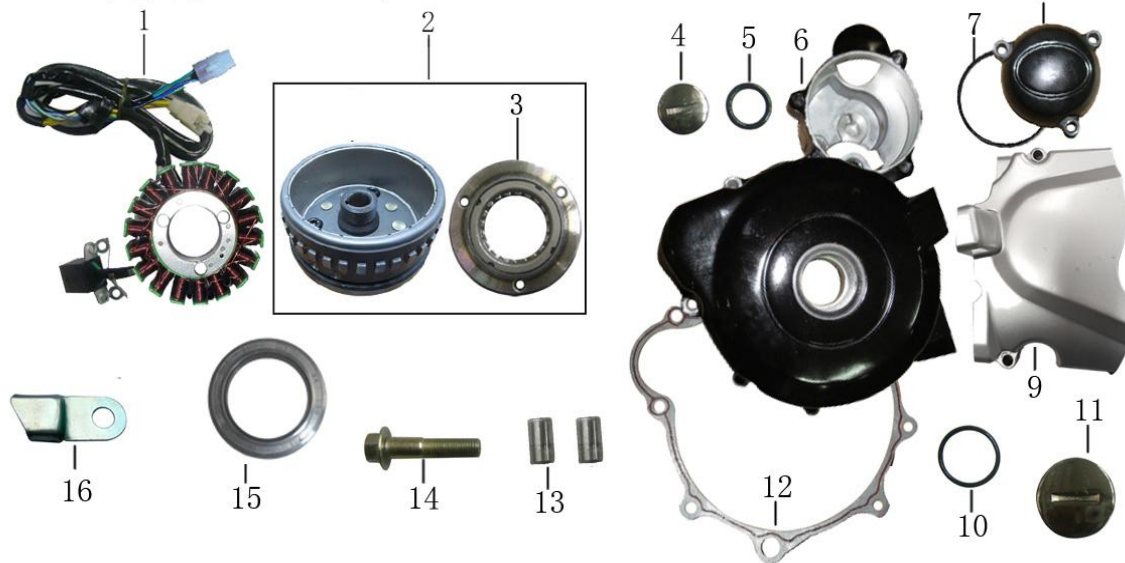
E-04 曲轴箱 CRANKCASE



Part No.	Description	QTY	Unit
163FMLE04-01	Crankcase Comp LH	1	PCS
163FMLE04-02	Crankcase Gasket	1	PCS
163FMLE04-03	Crankcase Comp RH	1	PCS
163FMLE04-04	Cylinder Bolt A	1	PCS
163FMLE04-05	Cylinder Bolt C	1	PCS
163FMLE04-06	Cylinder Bolt B	2	PCS
163FMLE04-07	Crankcase Dowel Pin Φ 10 \times 14	2	PCS
163FMLE04-08	Gauze Cover	1	PCS
163FMLE04-09	Gauze Cover O-Ring	1	PCS
163FMLE04-10	Gauze Spring	1	PCS
163FMLE04-11	Gauze Set	1	PCS
163FMLE04-12	Gearshift Shaft Oil Seal	1	PCS
163FMLE04-13	Pin-Keeping Body Comp	1	PCS
163FMLE04-14	Crankcase Drain Plug	1	PCS
163FMLE04-15	Plug Drain Washer	1	PCS

162FML-2L E-07 左曲轴箱盖、磁电机 LEFT CRANKCASE COVER & MAGNETO

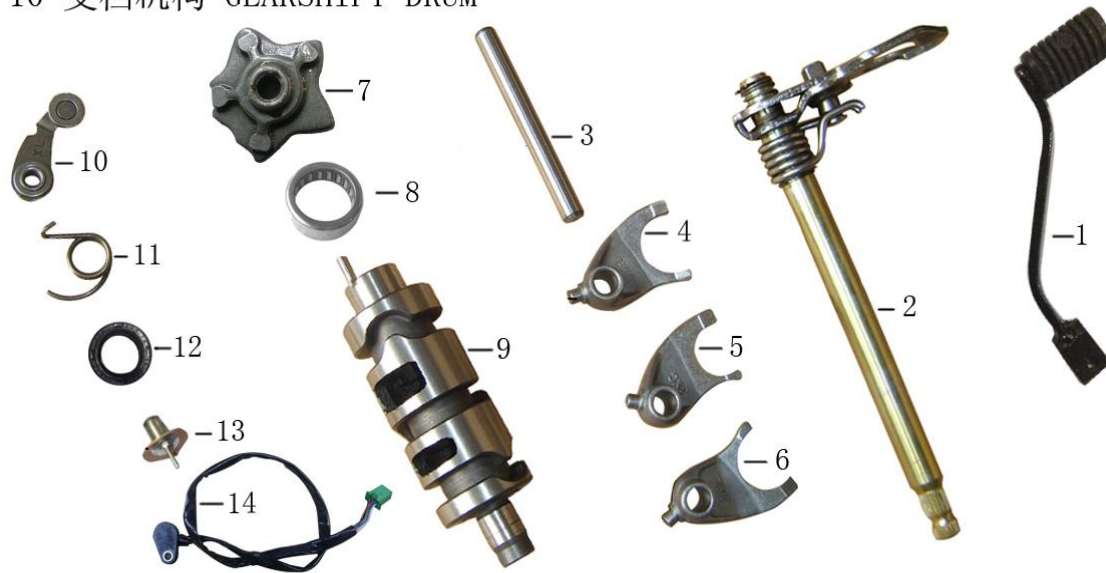
E-07 左曲轴箱盖、磁电机 LEFT CRANKCASE COVER & MAGNETO 8



Part No.	Description	QTY		Unit
163FMLE07-01	Magneto Stator Comp	1		PCS
163FMLE07-02	Magneto Rotor Assy	1		PCS
163FMLE07-03	Starting Clutch Comp.	1		PCS
163FMLE07-04	View Hole Plug	1		PCS
163FMLE07-05	View Hole Plug O-Ring	1		PCS
163FMLE07-06	Crankcase Cover LH	1		PCS
163FMLE07-07	Idler Cover O-Ring	1		PCS
163FMLE07-08	Idlercover	1		PCS
163FMLE07-09	Rear Cover, LH	1		PCS
163FMLE07-10	Plug O-Ring	1		PCS
163FMLE07-11	Plug	2		PCS
163FMLE07-12	Crankcase Cover Gasket LH	1		PCS
163FMLE07-13	Dowel pin $\Phi 10 \times 14$	2		PCS
163FMLE07-14	Magneto Screw	1		PCS
163FMLE07-15	Crankshaft Oil Seal, LH	1		PCS
163FMLE07-16	Ignition Coil Wire Clamp	1		PCS

162FML-2L E-10 变档机构 GEARSHIFT DRUM

E-10 变档机构 GEARSHIFT DRUM



Part No.	Description	QTY		Unit
163FMLE10-01	Gearshift Rod Assy	1		PCS
163FMLE10-02	Gearshift Shaft Assy	1		PCS
163FMLE10-03	Fork Shaft	1		PCS
163FMLE10-04	Fork III	1		PCS
163FMLE10-05	Fork II	1		PCS
163FMLE10-06	Fork I	1		PCS
163FMLE10-07	Gearshift Cam	1		PCS
163FMLE10-08	Needle Bearing 21×28×10	1		PCS
163FMLE10-09	Gearshift Drum Comp	1		PCS
163FMLE10-10	Gear Setting Plate Comp	1		PCS
163FMLE10-11	Setting Plate Torsion Spring	1		PCS
163FMLE10-12	Indicator Oil Seal	1		PCS
163FMLE10-13	Gear Indicator Contact Point Comp	1		PCS
163FMLE10-14	Gear Indicator Comp	1		PCS

