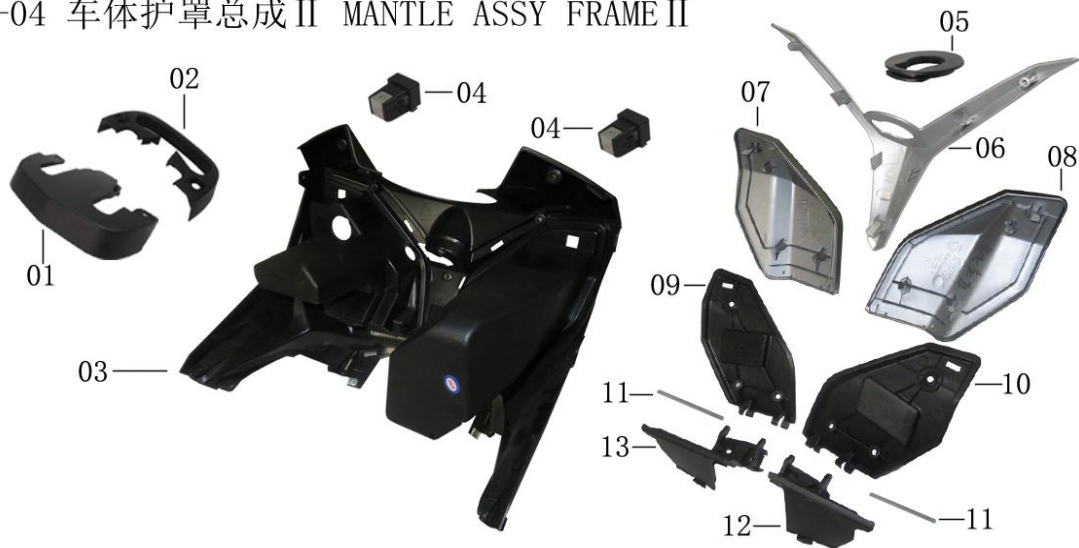


LIFAN KPV 150 PARTS CATALOG



LF150T-8(KPV) F-04 车体护罩总成 II MANTLE ASSY FRAME II

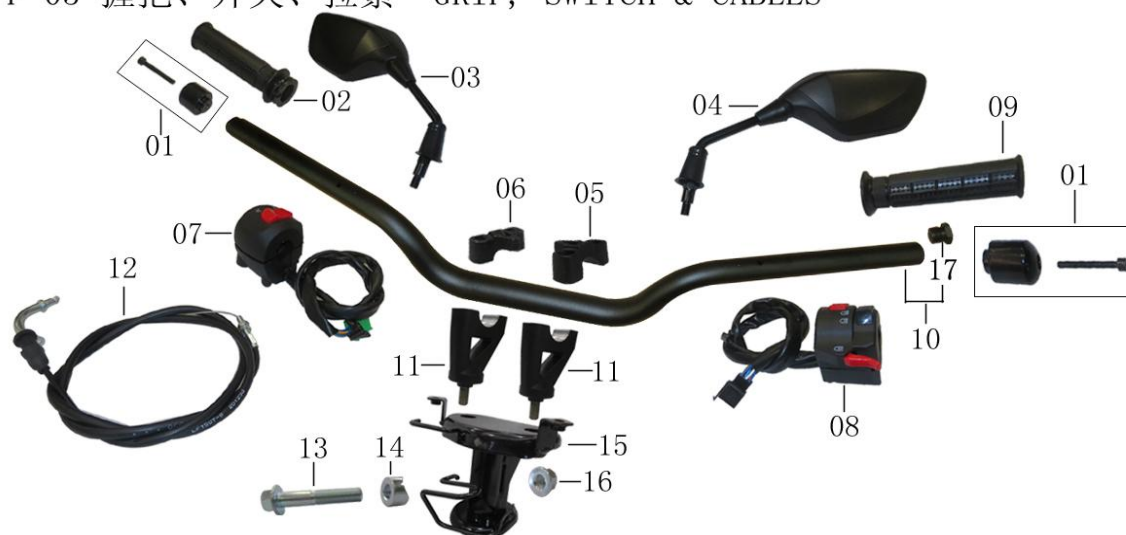
F-04 车体护罩总成 II MANTLE ASSY FRAME II



Parts code	Description	Unit	Remark
KPVF04-01	Hood, steering bar top	PC	
KPVF04-02	Hood, steering bar, bottom	PC	
KPVF04-03	Trunk, front	PC	
KPVF04-04	Lock set, front trunk	PC	
KPVF04-05	Boot, ignition switch hood	PC	
KPVF04-06	Hood, ignition switch	PC	
KPVF04-07	Cover, front trunk, RH	PC	
KPVF04-08	Cover, front trunk, LH	PC	
KPVF04-09	Inner Cover, front trunk, RH	PC	
KPVF04-10	Inner Cover, front trunk, LH	PC	
KPVF04-11	Pin, ϕ 4-73	PC	
KPVF04-12	Cover, front trunk cover hinge, LH	PC	
KPVF04-13	Cover, front trunk cover hinge, RH	PC	

LF150T-8(KPV) F-05 握把、开关、拉索 GRIP, SWITCH & CABLES

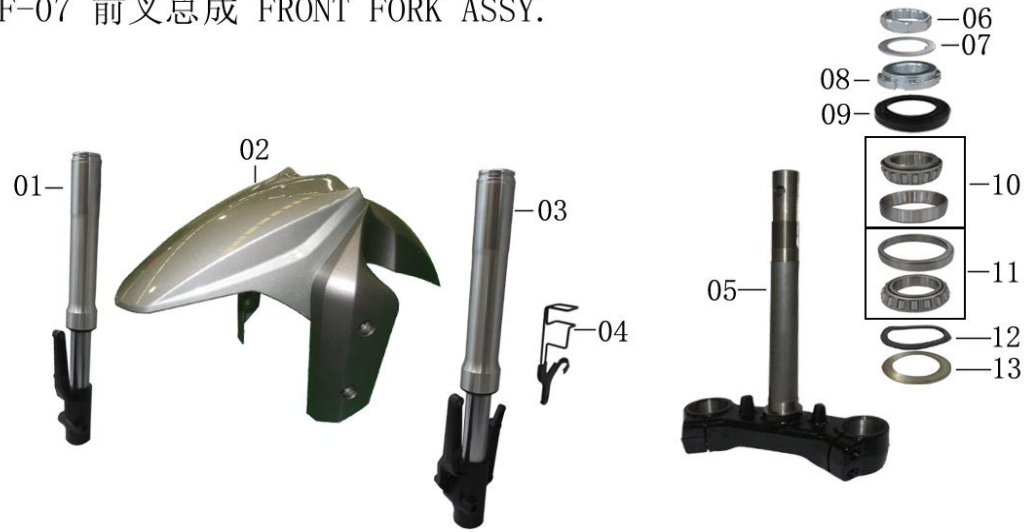
F-05 握把、开关、拉索 GRIP, SWITCH & CABLES



Parts code	Description	Unit	Remark
KPVF05-01	Weight, steering bar	PC	
KPVF05-02	Grip comp., throttle	PC	
KPVF05-03	Mirror, rearview, RH	PC	
KPVF05-04	Mirror, rearview, LH	PC	
KPVF05-05	Clamp, steering bar, RH	PC	
KPVF05-06	Clamp, steering bar, LH	PC	
KPVF05-07	Switch, handlebar, RH	PC	
KPVF05-08	Switch, handlebar, LH	PC	
KPVF05-09	Grip, LH	PC	
KPVF05-10	Pipe set, steering bar	PC	
KPVF05-11	Holder set, steering bar pipe, LH	PC	
KPVF05-12	Cable, throttle	PC	
KPVF05-13	Bolt, M10×1.25×50-Zn c2C(SJ)	PC	
KPVF05-14	Clamp, steering bar pipe	PC	
KPVF05-15	Rod set, steering bar pipe	PC	
KPVF05-16	Nut, M10×1.25-Zn c2C(SJ)	PC	
KPVF05-17	Shaft, steering bar balance	PC	

LF150T-8(KPV) F-07 前叉总成 FRONT FORK ASSY

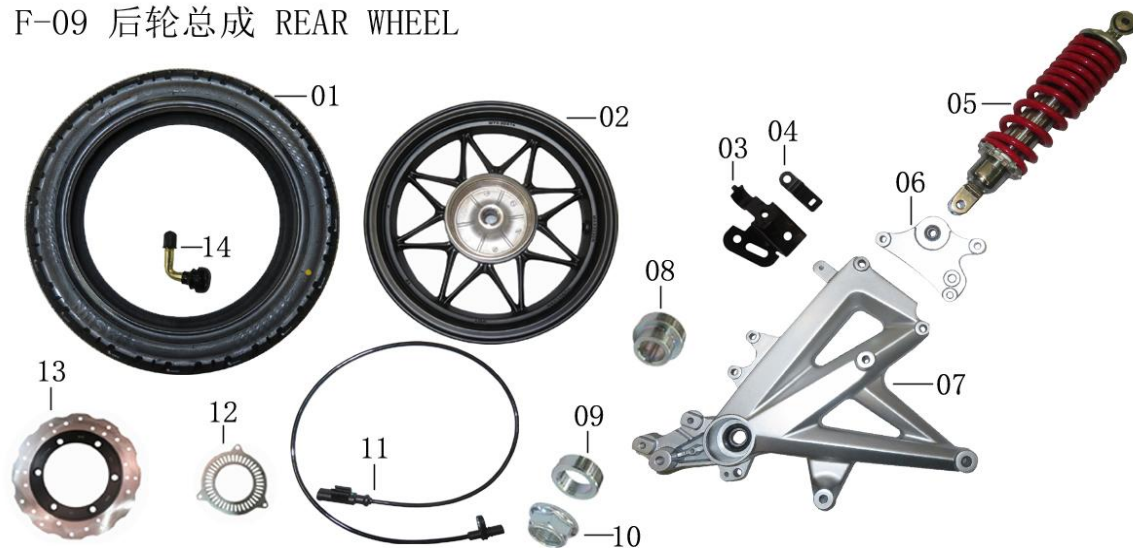
F-07 前叉总成 FRONT FORK ASSY.



Parts code	Description	Unit	Remark
KPVF07-01	Shock absorber, front, RH	PC	
KPVF07-02	Fender, front	PC	
KPVF07-03	Shock absorber, front, LH	PC	
KPVF07-04	Stay set, front brake hose	PC	
KPVF07-05	Stem set, steering	PC	
KPVF07-06	Nut, square	PC	
KPVF07-07	Lock ring, adjusting nut	PC	
KPVF07-08	Nut, adjusting	PC	
KPVF07-09	Dust cover, steering stem	PC	
KPVF07-10	Bearing set, steering stem top	PC	
KPVF07-11	Bearing set, steering stem bottom	PC	
KPVF07-12	Washer, plain	PC	
KPVF07-13	Dust ring, steering stem	PC	

LF150T-8(KPV) F-09 后轮总成 REAR WHEEL

F-09 后轮总成 REAR WHEEL



Parts code	Description	Unit	Remark
KPVF09-01	Tyre, rear	PC	
KPVF09-02	Hub set, rear wheel	PC	
KPVF09-03	Stay set, rear brake hose	PC	
KPVF09-04	Clamp, rear brake hose	PC	
KPVF09-05	Shock absorber Assy, rear	PC	
KPVF09-06	Rocker comp., rear-top, RH	PC	
KPVF09-07	Rocker comp., rear-bottom, RH	PC	
KPVF09-08	Sleeve, rear fork inner	PC	
KPVF09-09	Sleeve, rear fork outer	PC	
KPVF09-10	Nut, M16×1.5-Zn c2C(SJ)	PC	
KPVF09-11	ABS sensor	PC	
KPVF09-12	Ring, rear gear	PC	
KPVF09-13	Disc, rear brake	PC	
KPVF09-14	Valve, Tube	PC	

LF150T-8(KPV) F-10 油箱总成 FUEL TANK

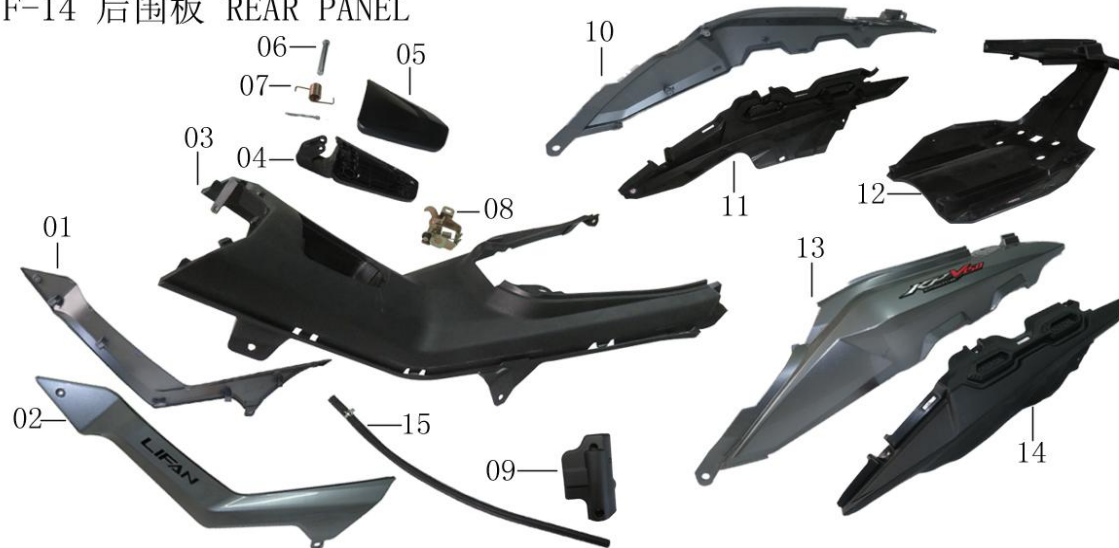
F-10 油箱总成 FUEL TANK



Parts code	Description	Unit	Remark
KPVF10-01	Filler cap, reserve tank	PC	
KPVF10-02	Cable Clips, Fuel Sensor	PC	
KPVF10-03	Hose, radiator outlet	PC	
KPVF10-04	Body, reserve tank	PC	
KPVF10-05	Pipe, reserve tank outlet	PC	
KPVF10-06	Sensor, fuel	PC	
KPVF10-07	Cap Holder, Fuel tank	PC	
KPVF10-08	Cap, Fuel tank	PC	
KPVF10-09	Hood, auxiliary tank	PC	
KPVF10-10	Tank weldment, fuel	PC	
KPVF10-11	Fuel pump	PC	
KPVF10-12	oil Pipe, Comp.	PC	
KPVF10-13	Circlip, hose	PC	

LF150T-8(KPV) F-14 后围板 REAR PANEL

F-14 后围板 REAR PANEL



Parts code	Description	Unit	Remark
KPVF14-01	Cover, side, RH	PC	
KPVF14-02	Cover, side, LH	PC	
KPVF14-03	Guard, mid	PC	
KPVF14-04	Cover, fuel tank lock ornamental inner	PC	
KPVF14-05	Cover, fuel tank lock ornamental outer	PC	
KPVF14-06	Pin, $\Phi 5-43$	PC	
KPVF14-07	Return Spring, Cover, Fuel filler	PC	
KPVF14-08	Lock Set, Fuel Filler Cover	PC	
KPVF14-09	Ornament, engine	PC	
KPVF14-10	Panel, rear, RH	PC	
KPVF14-11	Guard, rear skirt, RH	PC	
KPVF14-12	Plate, rear panel connecting	PC	
KPVF14-13	Panel, rear, LH	PC	
KPVF14-14	Guard, rear skirt, LH	PC	
KPVF14-15	Pipe, Overflow	PC	

LF150T-8(KPV) F-16 电喷系统 EFI SYSTEM

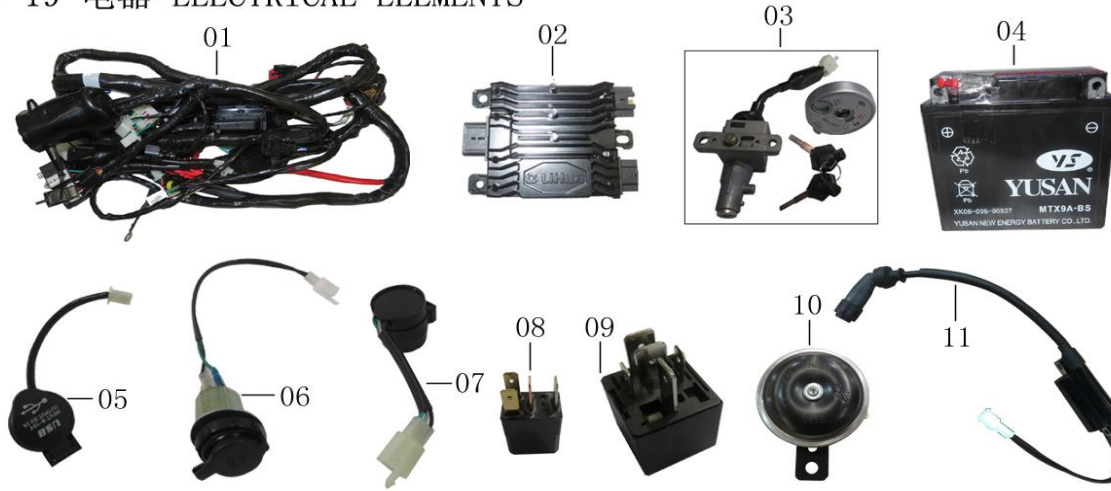
F-16 电喷系统 EFI SYSTEM



Parts code	Description	Unit	Remark
KPVF16-01	Sensor, oxygen	PC	
KPVF16-02	Cable Clips, Fuel Sensor	PC	
KPVF16-03	Carbon canister solenoid valve	PC	
KPVF16-04	Pipe, idling gulp	PC	
KPVF16-05	Pipe, idling gulp valve inlet	PC	
KPVF16-06	Rail, fuel	PC	
KPVF16-07	Nozzle	PC	
KPVF16-08	Sensor, intake air pressure	PC	
KPVF16-09	Pipe set, inlet	PC	
KPVF16-10	ECU	PC	
KPVF16-11	Body comp., throttle valve	PC	
KPVF16-12	Sensor, intake air temperature	PC	

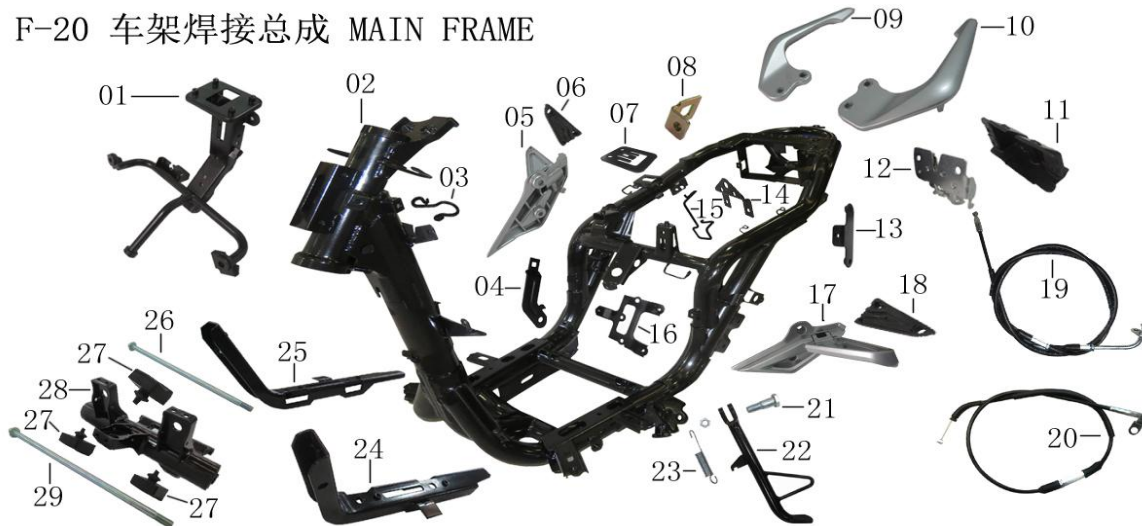
LF150T-8(KPV) F-19 电器 ELECTRICAL ELEMENTS

F-19 电器 ELECTRICAL ELEMENTS



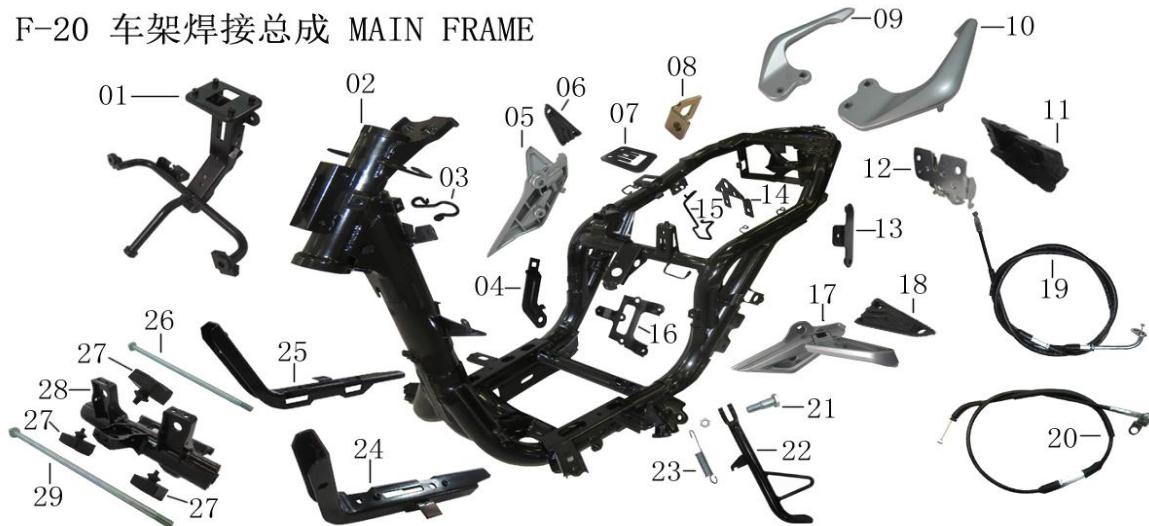
Parts code	Description	Unit	Remark
KPVF19-01	Cable, main	PC	
KPVF19-02	Controller, Automatic start-up and shutdown	PC	
KPVF19-03	Switch, ignition	PC	
KPVF19-04	Battery	PC	
KPVF19-05	Charger comp.	PC	
KPVF19-06	Socket, Cigarette lighter	PC	
KPVF19-07	Relay, flashing	PC	
KPVF19-08	Relay, EFI main	PC	
KPVF19-09	Auxiliary Relay	PC	
KPVF19-10	Horn	PC	
KPVF19-11	Ignition coil	PC	

LF150T-8(KPV) F-20 车架焊接总成 MAIN FRAME



Parts code	Description	Unit	Remark
KPVF20-01	Stay comp., headlight	PC	
KPVF20-02	Frame weldment	PC	
KPVF20-03	Clamp II	PC	
KPVF20-04	Bracket, Oxygen Sensor	PC	
KPVF20-05	Footrest comp., RH	PC	
KPVF20-06	Treadle, pillion, RH	PC	
KPVF20-07	Bracket, Fuse Box	PC	
KPVF20-08	Connecting Board, Auxiliary Relay	PC	
KPVF20-09	Handrail, RH	PC	
KPVF20-10	Handrail, LH	PC	
KPVF20-11	Cover, Seat Lock Base	PC	
KPVF20-12	Body set, Seat lock base	PC	
KPVF20-13	Bracket, ECU	PC	
KPVF20-14	Connecting Board, Relay, EFI main	PC	
KPVF20-15	Clamp III, rear brake hose	PC	
KPVF20-16	Stay set, power controller	PC	
KPVF20-17	Footrest comp., LH	PC	

LF150T-8(KPV) F-20 车架焊接总成 MAIN FRAME



Parts code	Description	Unit	Remark
KPVF20-18	Treadle, pillion, LH	PC	
KPVF20-19	Cable, seat lock	PC	
KPVF20-20	Cable, Fuel tank lock	PC	
KPVF20-21	Bolt, pivot M10×1.25×35-Φ12×17	PC	
KPVF20-22	Stand, side	PC	
KPVF20-23	Spring, side stand	PC	
KPVF20-24	Footrest comp., rider, LH	PC	
KPVF20-25	Footrest comp., rider, RH	PC	
KPVF20-26	Shaft II, engine mounting	PC	
KPVF20-27	Cushion, engine front connecting plate	PC	
KPVF20-28	Shaft, engine mounting	PC	
KPVF20-29	Shaft , engine mounting	PC	

1P57MJ E-01 散热器总成、水泵总成 RADIATOR ASSY & WATER PUMP

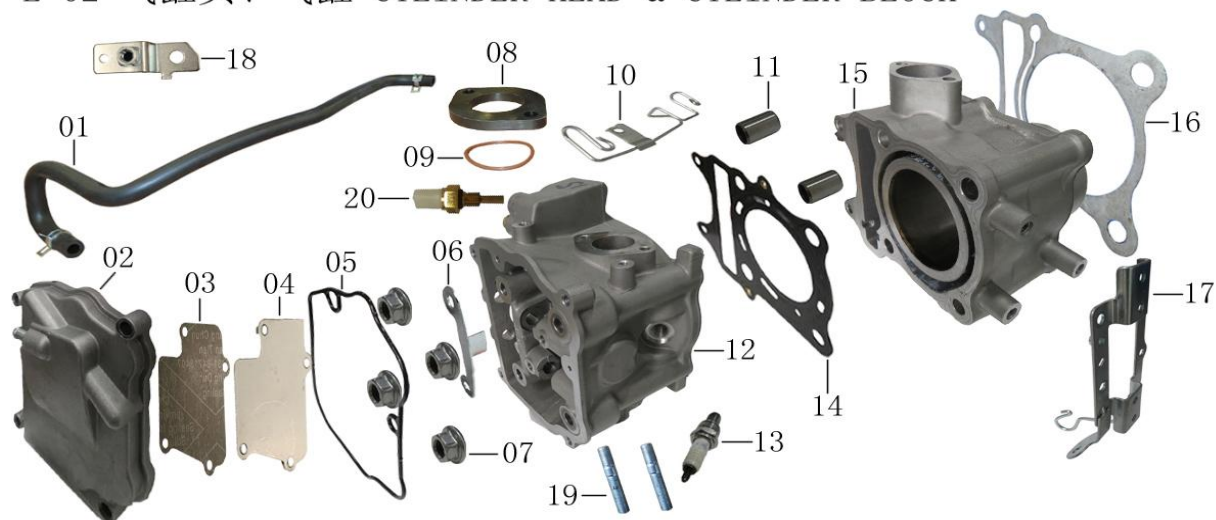
E-01 散热器总成、水泵总成 RADIATOR ASSY & WATER PUMP



Parts code	Description	Unit	Qty	Remark
1P57MJE01-01	Hood, radiator, RH	PC	1	
1P57MJE01-02	Cap, Radiator	PC	1	
1P57MJE01-03	Radiator Assy	PC	1	
1P57MJE01-04	Cover unit, fan	PC	1	
1P57MJE01-05	Outlet pipe, Radiator	PC	1	
1P57MJE01-06	Clamp (12-22)	PC	3	
1P57MJE01-07	Thermostat valve	PC	1	
1P57MJE01-08	Cover, thermostat	PC	1	
1P57MJE01-09	Small cycle Pipe (III)	PC	1	
1P57MJE01-10	Small cycle Pipe Comp.	SET	1	
1P57MJE01-11	Inlet pipe, Radiator	PC	1	
1P57MJE01-12	Water pipe, engine	PC	1	
1P57MJE01-13	Water pump assy	PC	1	
1P57MJE01-14	O-ring, water pump	PC	1	(IN 1P57MJE01-13)
1P57MJE01-15	Clamp (16-24)	PC	3	
1P57MJE01-16	Gasket, water pump	PC	1	

1P57MJ E-02 气缸头、气缸体 CYLINDER HEAD & CYLINDER BLOCK

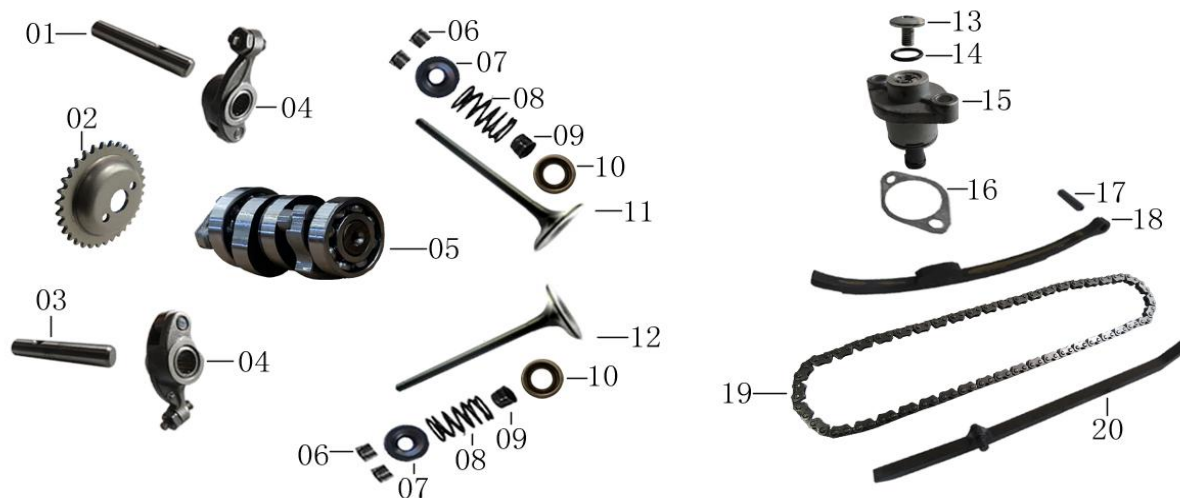
E-02 气缸头、气缸 CYLINDER HEAD & CYLINDER BLOCK



Parts code	Description	Unit	Qty	Remark
1P57MJE02-01	Pipe, exhaust	PC	1	
1P57MJE02-02	Cylinder Head Cover	PC	1	
1P57MJE02-03	Gasket, Labyrinth Cover	PC	1	
1P57MJE02-04	Labyrinth Cover	PC	1	
1P57MJE02-05	Gasket, Cylinder Head Cover	PC	1	
1P57MJE02-06	Retainer, camshaft	PC	1	
1P57MJE02-07	Nut M8	PC	4	
1P57MJE02-08	Inlet Pipe Insulator	PC	1	
1P57MJE02-09	O-ring, Inlet Pipe Insulator	PC	1	
1P57MJE02-10	Clamp set, exhaust pipe	PC	1	
1P57MJE02-11	Dowel pin 10×16	PC	2	
1P57MJE02-12	Cylinder head	PC	1	
1P57MJE02-13	Spark Plug NGK/CPR8EA-9	PC	1	
1P57MJE02-14	Gasket, Cylinder head	PC	1	
1P57MJE02-15	Cylinder Block	PC	1	
1P57MJE02-16	Gasket, Cylinder Block	PC	1	
1P57MJE02-17	Stay, Ignition Coil Assy	PC	1	
1P57MJE02-18	Stay, High-Pressure pipe	PC	1	
1P57MJE02-19	Stud Bolt M7*42.5	PC	2	
1P57MJE02-20	Sensor, Water temperature	PC	1	

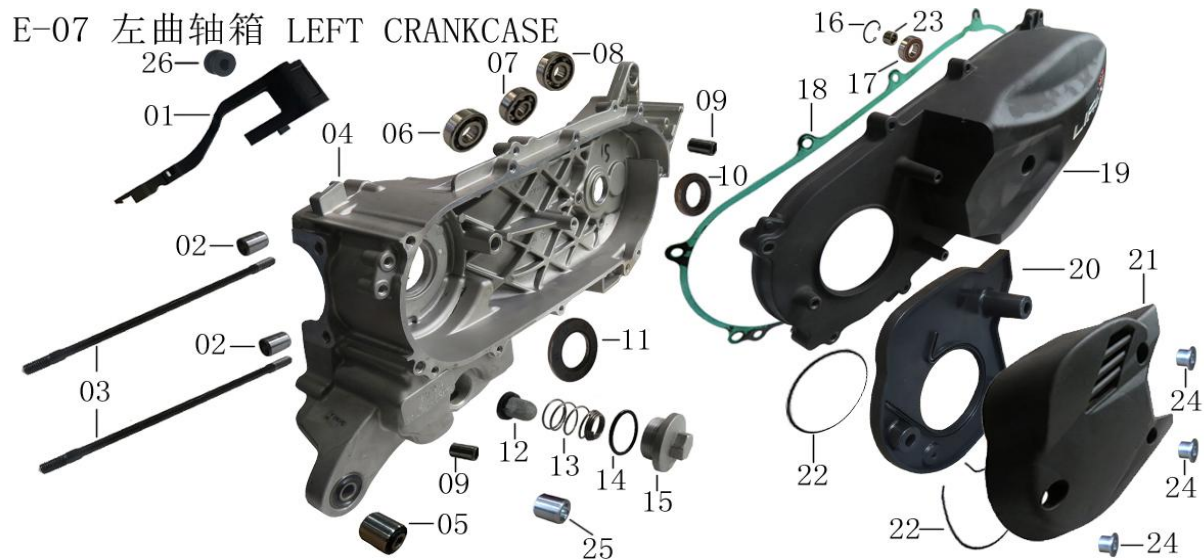
1P57MJ E-03 配气机构 VALVE TRAIN

E-03 配气机构 VALVE TRAIN



Parts code	Description	Unit	Qty	Remark
1P57MJE03-01	Shaft, rocker arm	PC	1	
1P57MJE03-02	Sprocket, timing driven	PC	1	
1P57MJE03-03	Shaft, rocker arm(II)	PC	1	
1P57MJE03-04	Rocker arm	PC	2	
1P57MJE03-05	Camshaft unit	PC	1	
1P57MJE03-06	Split cone, valve	PC	4	
1P57MJE03-07	Seat, valve spring, upper	PC	2	
1P57MJE03-08	valve spring	PC	2	
1P57MJE03-09	Oil seal, valve stem	PC	2	
1P57MJE03-10	Seat, valve spring, lower	PC	2	
1P57MJE03-11	Valve, intake	PC	1	
1P57MJE03-12	Valve, exhaust	PC	1	
1P57MJE03-13	Plug, tensioner	PC	1	
1P57MJE03-14	Adjusting screw O-ring, ,tensioner	PC	1	
1P57MJE03-15	Body unit, tensioner	PC	1	
1P57MJE03-16	Gasket,Tensioner	PC	1	
1P57MJE03-17	Bush, tensioner	PC	1	
1P57MJE03-18	Tensioner	PC	1	
1P57MJE03-19	Chain, timing	PC	1	
1P57MJE03-20	Guiding plate	PC	1	

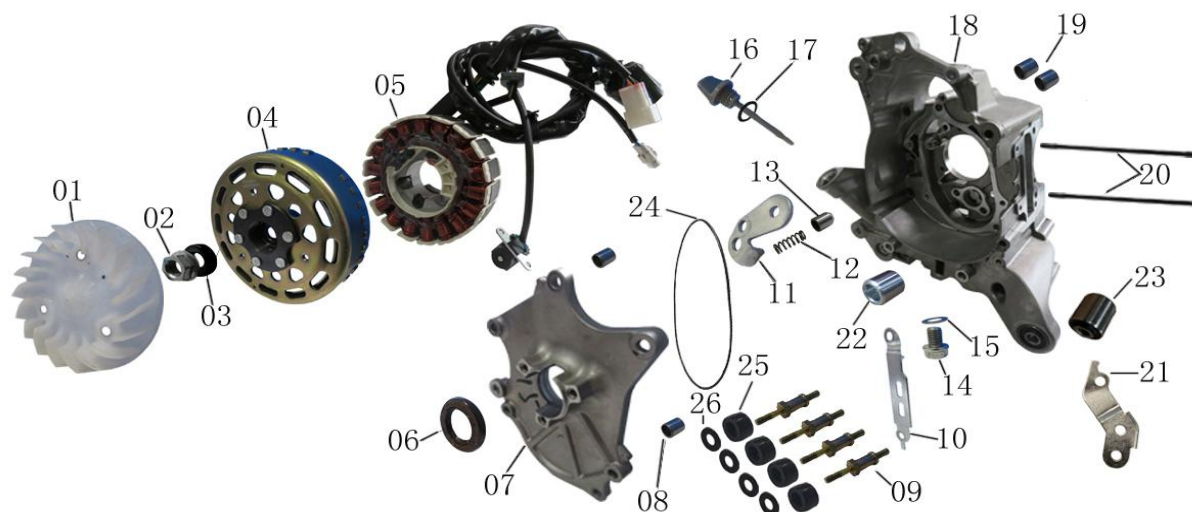
1P57MJ E-07 左曲轴箱 LEFT CRANKCASE



Parts code	Description	Unit	Qty	Remark
1P57MJE07-01	Hood, speed sensor	PC	1	
1P57MJE07-02	Dowel pin Φ 10 \times 16	PC	2	
1P57MJE07-03	Bolt, cylinder B	PC	2	
1P57MJE07-04	Crankcase unit, LH	PC	1	
1P57MJE07-05	Sleeve set, engine suspension	PC	1	
1P57MJE07-06	Bearing6204	PC	1	
1P57MJE07-07	Bearing6301	PC	1	
1P57MJE07-08	Bearing6302	PC	1	
1P57MJE07-09	Dowel pin Φ 8 \times 14	PC	2	
1P57MJE07-10	Oil seal, drive shaft	PC	1	
1P57MJE07-11	Oil seal, crankshaft, LH	PC	1	
1P57MJE07-12	Gauze set	PC	1	
1P57MJE07-13	Spring, Gauze	PC	1	
1P57MJE07-14	O-ring, cover gauze	PC	1	
1P57MJE07-15	Cover, gauze	PC	1	
1P57MJE07-16	Retainer32	PC	1	
1P57MJE07-17	Bearing6002-2RS	PC	1	
1P57MJE07-18	Gasket, crankcase cover, LH	PC	1	
1P57MJE07-19	Cover, crankcase, LH	PC	1	
1P57MJE07-20	Lower body, Dust Cover, Air inlet	PC	1	

1P57MJ E-08 右曲轴箱 RIGHT CRANKCASE

E-08 右曲轴箱盖 RIGHT CRANKCASE



Parts code	Description	Unit	Qty	Remark
1P57MJE08-01	Impeller set, fan	PC	1	
1P57MJE08-02	Nut M12	PC	1	
1P57MJE08-03	Washer 12	PC	1	
1P57MJE08-04	Rotor set, magneto	PC	1	
1P57MJE08-05	Stator set, magneto	PC	1	
1P57MJE08-06	Oil seal, crankshaft, RH	PC	1	
1P57MJE08-07	Small lid, RH	PC	1	
1P57MJE08-08	Dowel pin $\Phi 8 \times 10$	PC	2	
1P57MJE08-09	Connecting Bolt, Radiator	PC	4	
1P57MJE08-10	Pressing Plate, wire, magneto	PC	1	
1P57MJE08-11	Limiting plate, timing chain	PC	1	
1P57MJE08-12	Spring, pressing pin	PC	1	
1P57MJE08-13	Pressing pin	PC	1	
1P57MJE08-14	Drain plug	PC	1	
1P57MJE08-15	Washer, drain plug	PC	1	
1P57MJE08-16	Dipstick	PC	1	
1P57MJE08-17	Oil, dipsitck	PC	1	
1P57MJE08-18	Crankcase, RH	PC	1	
1P57MJE08-19	Dowel pin $\Phi 10 \times 14$	PC	2	
1P57MJE08-20	Bolt, cylinder A	PC	2	

