

**LIFAN KPR 200 EFI 6-SPEED  
PARTS CATALOG**



165ML-P E-01 气缸、气缸头 CYLINDER BLOCK & CYLINDER HEAD

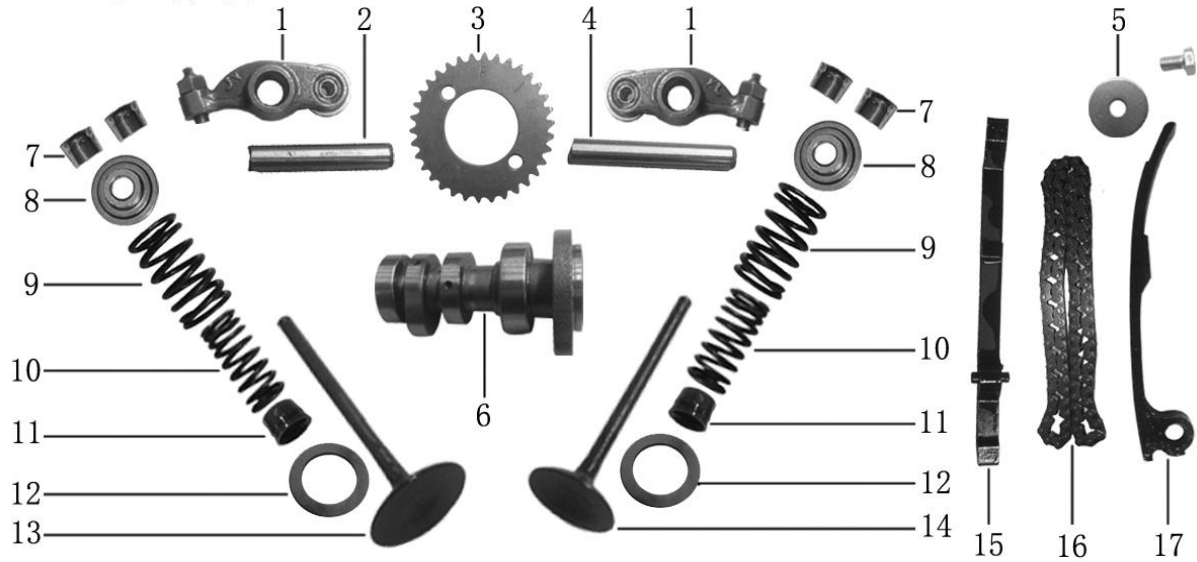
E-01 气缸、气缸头 CYLINDER BLOCK & CYLINDER HEAD



S/N	PartNo.	Description	Unit	QTY
1	165MLE01-01	Cap nut M8	PC	4
2	165MLE01-02	washer 8×φ18-2.5	PC	4
3	165MLE01-03	Spark plug	PC	1
4	165MLE01-04	Thermostat Cover	PC	1
5	165MLE01-05	Block unit, cylinder	PC	1
6	165MLE01-06	Cover, cylinder head, LH	PC	1
7	165MLE01-07	Bolt, M8×45	PC	2
8	165MLE01-08	O-ring, cover, cylinder head, LH	PC	1
9	165MLE01-09	Head unit, cylinder	PC	1
10	165MLE01-10	Retainer, distributing camshaft	PC	1
11	165MLE01-11	Cover, valve	PC	2
12	165MLE01-12	Valve Cover O-Ring	PC	2
13	165MLE01-13	Gasket, cylinder head	PC	1
14	165MLE01-14	Gasket, cylinder block	PC	1
15	165MLE01-15	Dowel pin, cylinder headφ10×20	PC	2
16	165MLE01-16	Gasket, Tensioner	PC	1
17	165MLE01-17	Tensioner Assy	PC	1
18	165MLE01-18	Thermostat Valve	PC	1

165ML-P E-02 配气机构 VALVE TRAIN

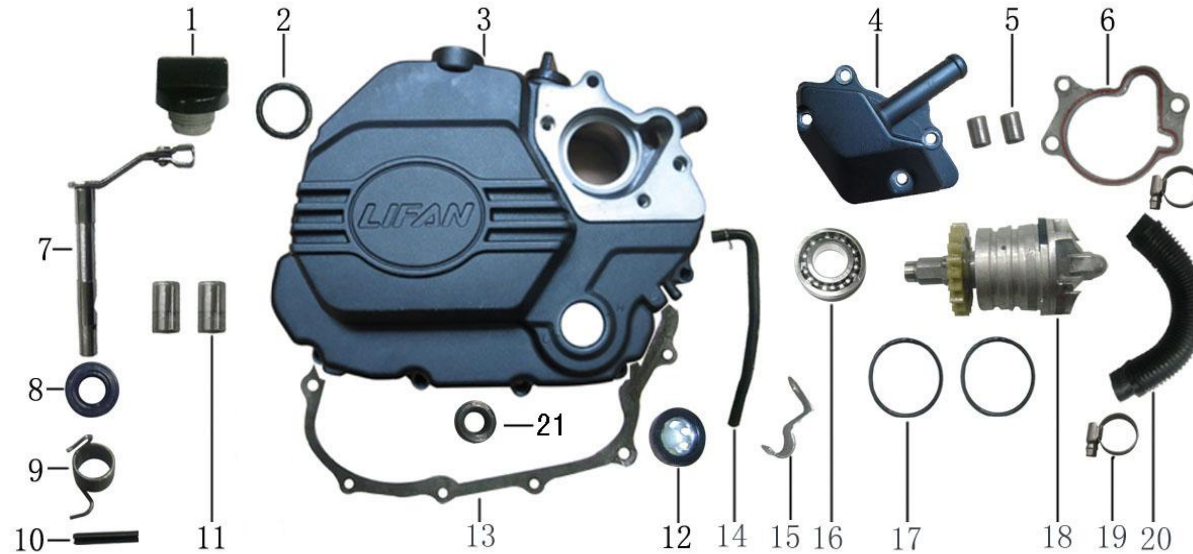
E-02 配气机构 VALVE TRAIN



S/N	PartNo.	Description	Unit	QTY
1	165MLE02-01	Rocker arm Assy,	PC	2
2	165MLE02-02	Shaft, rocker arm II	PC	1
3	165MLE02-03	Sprocket, timing driven	PC	1
4	165MLE02-04	Shaft, rocker arm I	PC	1
5	165MLE02-05	Washer, tensioning plate	PC	1
6	165MLE02-06	Camshaft Assy I	PC	1
7	165MLE02-07	Split cone, valve	PC	4
8	165MLE02-08	Seat, spring, upper	PC	2
9	165MLE02-09	Spring, valve, outer	PC	2
10	165MLE02-10	Spring, valve, inner	PC	2
11	165MLE02-11	Oil seal, valve stem	PC	2
12	165MLE02-12	Valve Outer Spring Seat	PC	2
13	165MLE02-13	Valve, intake	PC	1
14	165MLE02-14	Valve, exhaust	PC	1
15	165MLE02-15	Guiding plate	PC	1
16	165MLE02-16	Chain, timing	PC	1
17	165MLE02-17	Tensioner	PC	1

165ML-P E-03 右曲轴箱盖、水泵组件 RIGHT CRANKCASE COVER & WATER PUMP ASSY

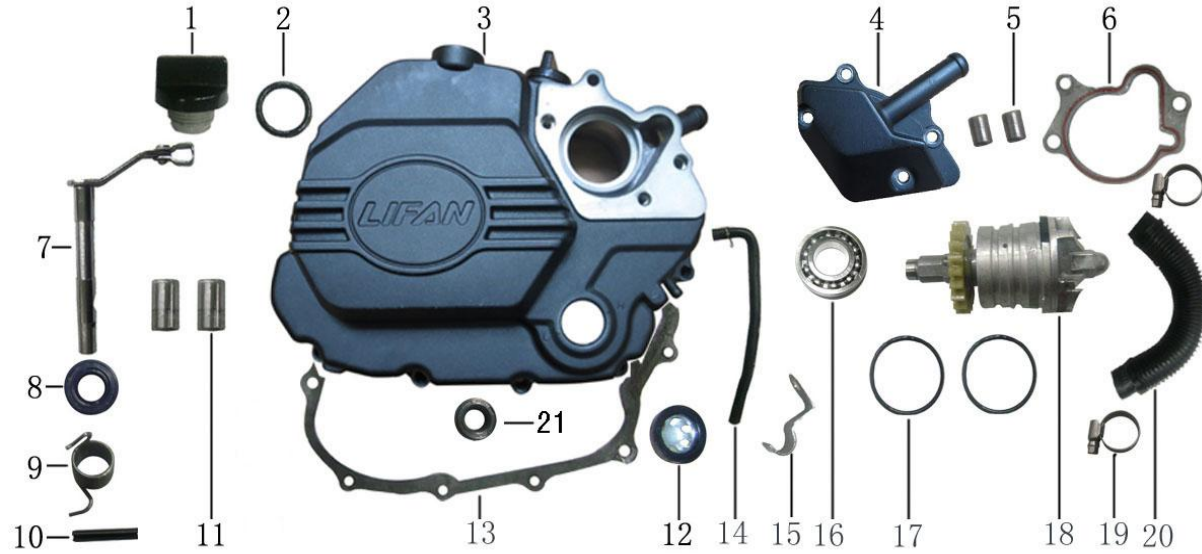
E-03 右曲轴箱盖、水泵组件 RIGHT CRANKCASE COVER & WATER PUMP ASSY



S/N	PartNo.	Description	Unit	QTY
1	165MLE03-01	Dipstick Assy	PC	1
2	165MLE03-02	O-ring	PC	1
3	165MLE03-03	Cover unit, crankcase, RH	PC	1
4	165MLE03-04	Pump Cover	PC	1
5	165MLE03-05	Dowel PinΦ8×10	PC	2
6	165MLE03-06	Pump Hermetical Circle	PC	1
7	165MLE03-07	Clutch Controlling Rod	PC	1
8	165MLE03-08	Clutch Lever Oil Seal	PC	1
9	165MLE03-09	Clutch Lever Spring	PC	1
10	165MLE03-10	Spring, operating shaft, clutch	PC	1
11	165MLE03-11	Head, cylinder Set Pin (Φ8×14)	PC	2
12	165MLE03-12	Sight Glass	PC	1
13	165MLE03-13	Crankcase Cover Gasket,RH	PC	1
14	165MLE03-14	Overflow Pipe	PC	1
15	165MLE03-15	Overflow Pipe Clamp	PC	1
16	165MLE03-16	Bearing 6900	PC	1
17	165MLE03-17	O-ring (Φ34.5×φ1.8)	PC	2
18	165MLE03-18	Pump Assy	PC	1

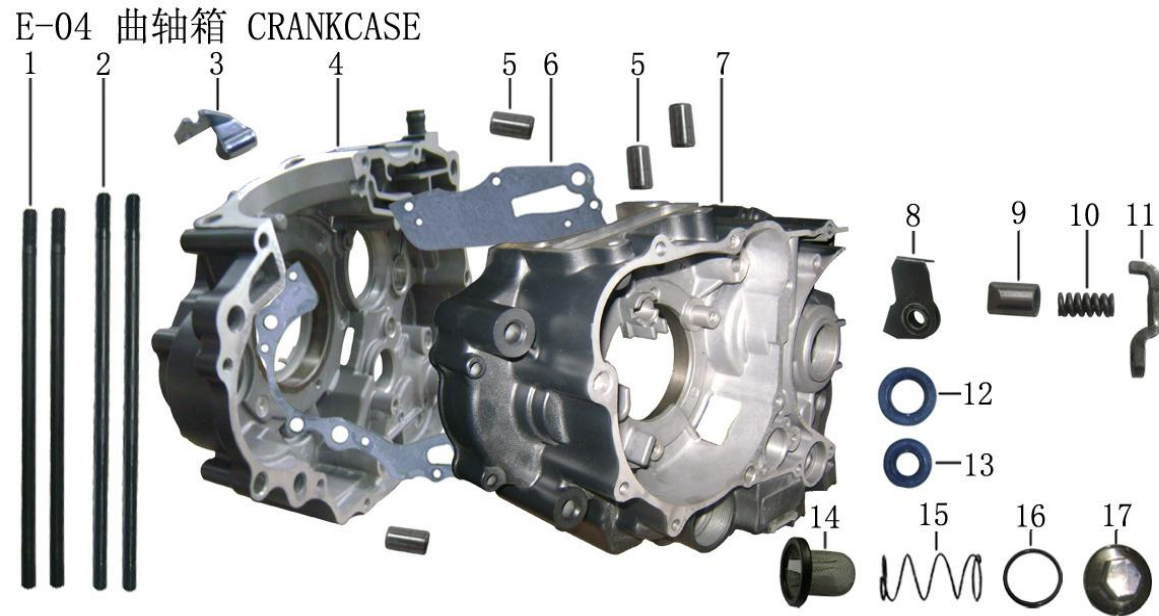
165ML-P E-03 右曲轴箱盖、水泵组件 RIGHT CRANKCASE COVER & WATER PUMP ASSY

E-03 右曲轴箱盖、水泵组件 RIGHT CRANKCASE COVER & WATER PUMP ASSY



S/N	PartNo.	Description	Unit	QTY
19	165MLE03-19	Clamp Comp, Water Pipe	PC	2
20	165MLE03-20	Water pipe	PC	1
21	165MLE03-21	Oil seal, crankshaft, RH	PC	1

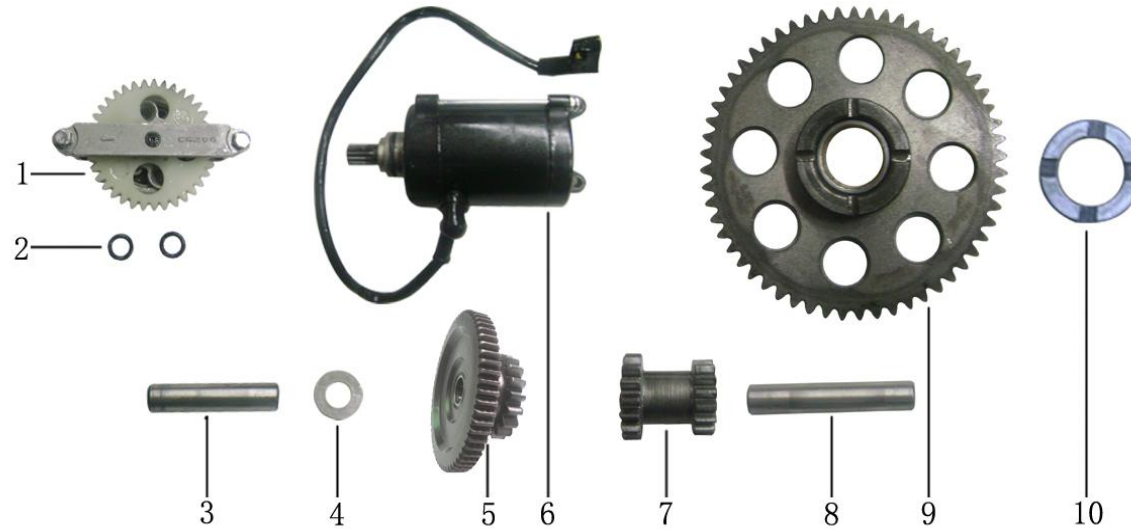
165ML-P E-04 曲轴箱 CRANKCASE



S/N	PartNo.	Description	Unit	QTY
1	165MLE04-01	Stud B (M8×196.5)	PC	2
2	165MLE04-02	Stud A (M8×205)	PC	2
3	165MLE04-03	Adjusting support, clutch cable	PC	1
4	165MLE04-04	Crankcase, RH	PC	1
5	165MLE04-05	Dowel pin (Φ10×14)	PC	4
6	165MLE04-06	Gasket, crankcase	PC	1
7	165MLE04-07	Crankcase, LH	PC	1
8	165MLE04-08	Timing Chain Limited Plate	PC	1
9	165MLE04-09	Pin-Keeping	PC	1
10	165MLE04-10	Pin-Keeping Spring	PC	1
11	165MLE04-11	Pin-Keeping Spring Plate	PC	1
12	165MLE04-12	Oil seal, 20×34×7	PC	1
13	165MLE04-13	Oil seal, gearshift shaft	PC	1
14	165MLE04-14	Gauze filter	PC	1
15	165MLE04-15	Spring	PC	1
16	165MLE04-16	O-ring, cover gauze(Φ35×Φ3)	PC	1
17	165MLE04-17	Cover, gauze filter	PC	1

165ML-P E-05 机油泵、起动电机 OIL PUMP & STARTING MOTOR

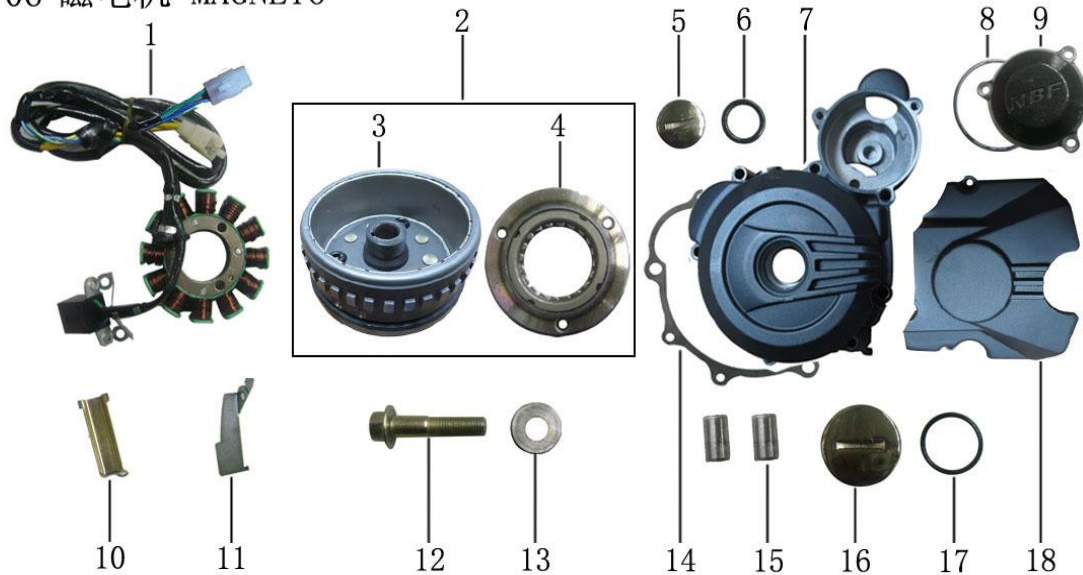
E-05 机油泵、起动电机 OIL PUMP & STARTING MOTOR



S/N	PartNo.	Description	Unit	QTY
1	165MLE05-01	Oil Pump Assy	PC	1
2	165MLE05-02	O-Ring (φ9.4×φ2.4)	PC	2
3	165MLE05-03	Shaft, dual-gear I	PC	1
4	165MLE05-04	Washer, Dual-gear	PC	1
5	165MLE05-05	Dual-gear comp. I	PC	1
6	165MLE05-06	Starting motor	PC	1
7	165MLE05-07	Dual-gear comp. II	PC	1
8	165MLE05-08	Shaft, dual-gear II	PC	1
9	165MLE05-09	Gear set, starting clutch	PC	1
10	165MLE05-10	Washer, gear, starting clutch	PC	1

165ML-P E-06 磁电机 MAGNETO

E-06 磁电机 MAGNETO

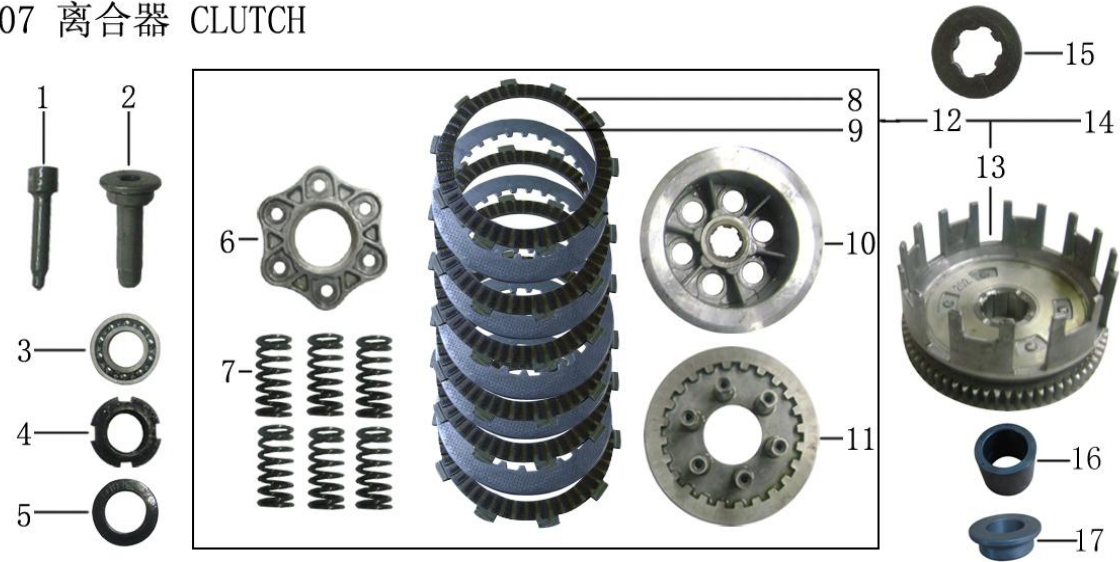


S/N	PartNo.	Description	Unit	QTY
1	165MLE06-01	Stator set, magneto	PC	1
2	165MLE06-02	Flywheel clutch Assy	PC	1
3	165MLE06-03	Rotor set, magneto	PC	1
4	165MLE06-04	Starting clutch Assy	PC	1
5	165MLE06-05	Plug, watch hole	PC	1
6	165MLE06-06	O-ring, watch hole plug	PC	1
7	165MLE06-07	Cover, crankcase, LH	PC	1
8	165MLE06-08	O-ring, Φ63×Φ3	PC	1
9	165MLE06-09	Cover, upper	PC	1
10	165MLE06-10	Clip, magneto wire	PC	1
11	165MLE06-11	Stopper, magneto wiring harness	PC	1
12	165MLE06-12	Bolt, M10×45	PC	1
13	165MLE06-13	Thrust washer	PC	1
14	165MLE06-14	Gasket, crankcase cover, LH	PC	1
15	165MLE06-15	Dowel pin, crankcase	PC	2
16	165MLE06-16	Cover, LH	PC	1
17	165MLE06-17	O-ring, plug,	PC	1
18	165MLE06-18	Rear cover, LH	PC	1



165ML-P E-07 离合器 CLUTCH

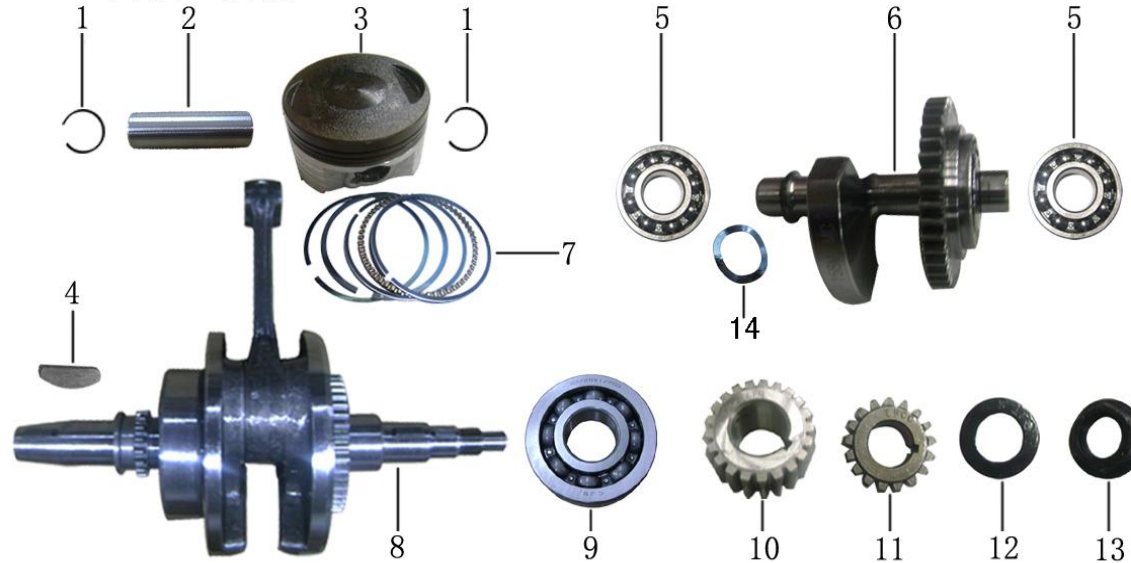
E-07 离合器 CLUTCH



S/N	PartNo.	Description	Unit	QTY
1	165MLE07-01	Clutch Mandrel	PC	1
2	165MLE07-02	Clutch Pusher	PC	1
3	165MLE07-03	Bearing, 16003	PC	1
4	165MLE07-04	Lock nut	PC	1
5	165MLE07-05	Thrust washer	PC	1
6	165MLE07-06	Plate, clutch lifter	PC	1
7	165MLE07-07	Spring, Clutch	SET	6
8	165MLE07-08	Disc set, clutch friction	SET	6
9	165MLE07-09	Plate, clutch	SET	6
10	165MLE07-10	Plate, clutch pressure	PC	1
11	165MLE07-11	Center comp., clutch	PC	1
12	165MLE07-12	Clutch Assy	PC	1
13	165MLE07-13	Outer comp., clutch	PC	1
14	165MLE07-14	Body, clutch	PC	1
15	165MLE07-15	Spline washer	PC	1
16	165MLE07-16	Clutch Bush	PC	1
17	165MLE07-17	clutch isolation bush	PC	1

165ML-P E-08 曲轴、活塞 CRANKSHAFT & PISTON

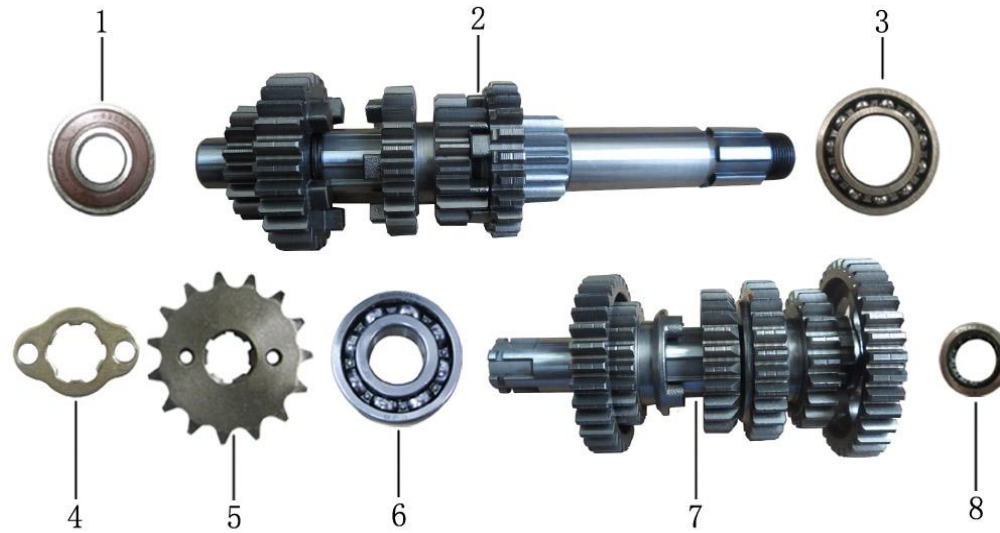
E-08 曲轴、活塞 CRANKSHAFT & PISTON



S/N	PartNo.	Description	Unit	QTY
1	165MLE08-01	Circlip, piston pin	PC	2
2	165MLE08-02	Pin, piston	PC	1
3	165MLE08-03	Piston	PC	1
4	165MLE08-04	Key, woodruff	PC	1
5	165MLE08-05	Bearing, 6202 (15x35x11)	PC	2
6	165MLE08-06	Balanced Shaft Assy	PC	1
7	165MLE08-07	Ring set, piston	PC	1
8	165MLE08-08	Crankshaft & connecting rod	PC	1
9	165MLE08-09	Bearing, crankshaft, RH	PC	1
10	165MLE08-10	Drive gear (sprocket), primary	PC	1
11	165MLE08-11	Drive gear, water pump	PC	1
12	165MLE08-12	Thrust washer	PC	1
13	165MLE08-13	Lock nut	PC	1
14	165MLE08-14	Corrugated washer, Balanced Shaft	PC	1

165ML-P E-09 传动装置 TRANSMISSION

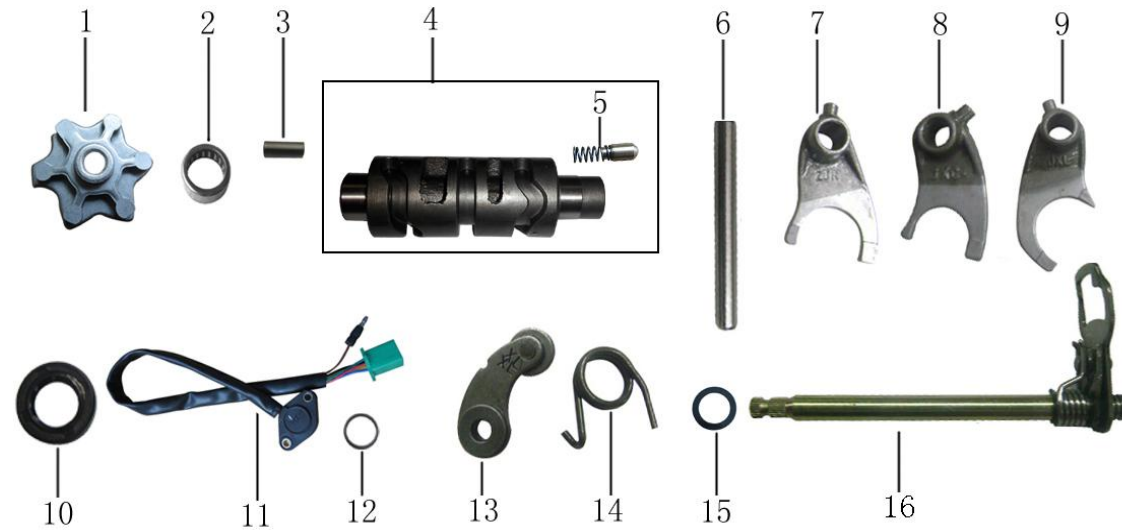
E-09 传动装置 TRANSMISSION



S/N	PartNo.	Description	Unit	QTY
1	165MLE09-01	Bearing, 6202 RS	PC	1
2	165MLE09-02	Main shaft Assy	PC	1
3	165MLE09-03	Bearing,Main shaft	PC	1
4	165MLE09-04	Locating plate, sprocket	PC	1
5	165MLE09-05	Sprocket, output	PC	1
6	165MLE09-06	Bearing, 6204	PC	1
7	165MLE09-07	Countershaft Assy	PC	1
8	165MLE09-08	Bearing, needle,NK152312	PC	1

165ML-P E-10 变档机构 GEARSHIFT DEVICE

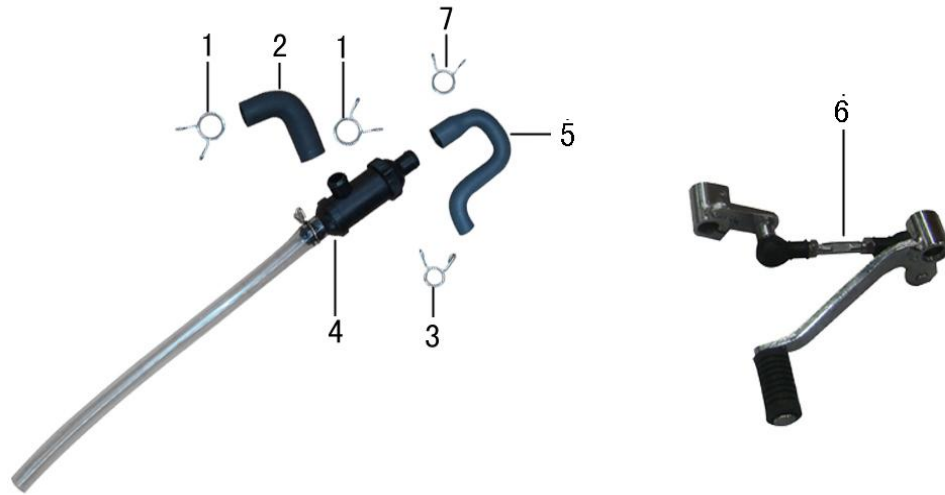
E-10 变档机构 GEARSHIFT DEVICE



S/N	PartNo.	Description	Unit	QTY
1	165MLE10-01	Cam	PC	1
2	165MLE10-02	Bearing, needle, HKS212810	PC	1
3	165MLE10-03	Set pin, 4x10	PC	1
4	165MLE10-04	Drum	PC	1
5	165MLE10-05	Gear Indicator Contact Point Comp	PC	1
6	165MLE10-06	Shaft, fork	PC	1
7	165MLE10-07	Fork (III)	PC	1
8	165MLE10-08	Fork (II)	PC	1
9	165MLE10-09	Fork (I)	PC	1
10	165MLE10-10	Oil seal,gear indicator contrac point	PC	1
11	165MLE10-11	Gear Indicating Wire Harness	PC	1
12	165MLE10-12	O-ring, Gear Indicator	PC	1
13	165MLE10-13	Limit plate	PC	1
14	165MLE10-14	Spring	PC	1
15	165MLE10-15	Gearshif Shaft Washer	PC	1
16	165MLE10-16	Gearshift shaft Assy	PC	1

165ML-P E-11 变档杆 GEARSHIFT PEDAL

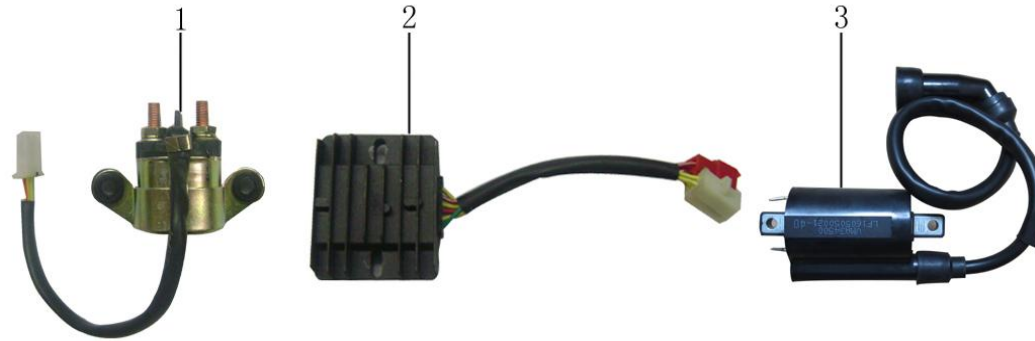
E-11 变档杆 GEARSHIFT PEDAL



S/N	PartNo.	Description	Unit	QTY
1	165MLE11-01	Clip,Crankcase Waste Pipe	PC	2
2	165MLE11-02	Innet Pipe,Secondary Air Aeration Valve	PC	1
3	165MLE11-03	Clip $\Phi 11$	PC	1
4	165MLE11-04	Fuel/Vapor Separator	PC	1
5	165MLE11-05	Crankcase Waste Pipe	PC	1
6	165MLE11-06	Gearshift pedal Assy	PC	1
7	165MLE11-07	Clip 13.5	PC	1

**165ML-P E-12 电器 ELECTRIC ELEMENTS**

## E-12 电器 ELECTRIC ELEMENTS



S/N	PartNo.	Description	Unit	QTY
1	165MLE12-01	Start Relay	PC	1
2	165MLE12-02	Voltage Regulator	PC	1
3	165MLE12-03	Ignition Coil	PC	1

LF200-10P F-01 前照灯总成 前导流罩 HEADLIGHT & FRONT FAIRING

F-01 前照灯总成 前导流罩 HEADLIGHT & FRONT FAIRING



S/N	PartNo.	Description	Unit	Qty
1	KPR200F01-01	Headlight Assy	PC	1
2	KPR200F01-02	Front Windshield	PC	1
3	KPR200F01-03	Headlight Hood	PC	1
4	KPR200F01-04	Headlight Hood Ornament, RH	PC	1
5	KPR200F01-05	Headlight Hood Ornament, LH	PC	1

LF200-10P F-02 仪表总成 METER

F-02 仪表总成 METER



S/N	PartNo.	Description	Unit	Qty
1	KPR200F02-01	Meter Assy	PC	1
2	KPR200F02-02	Cable, clutch	PC	1
3	KPR200F02-03	Cable comp., throttle	PC	1
4	KPR200F02-04	Seat Lock Cable	PC	1
5	KPR200F02-02-F	Cable, clutch (For new engine)	PC	1



LF200-10P F-03 握把 开关 GRIP & SWITCH

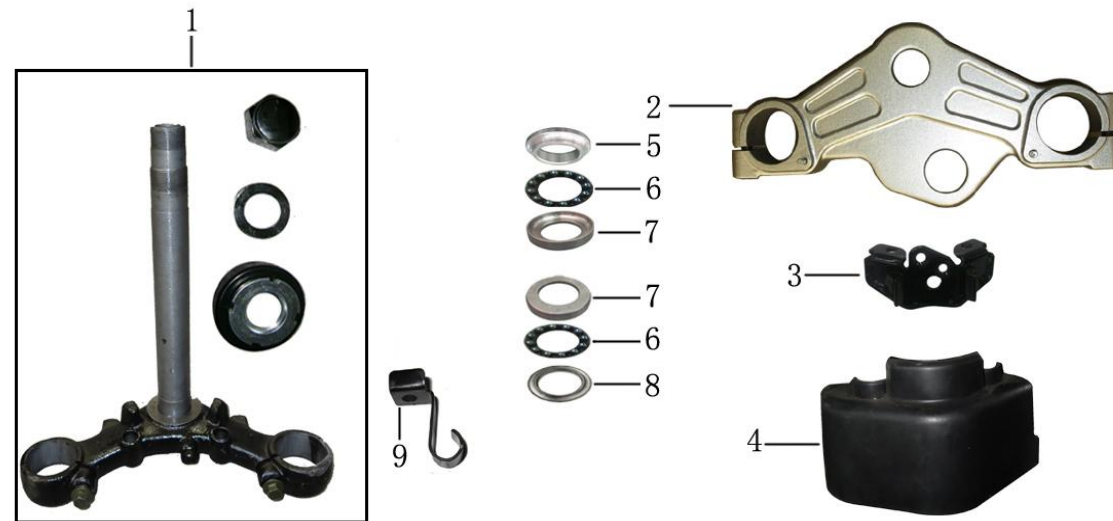
F-03 握把 开关 GRIP & SWITCH



S/N	PartNo.	Description	Unit	Qty
1	KPR200F03-01	Lever comp., clutch	PC	1
2	KPR200F03-02	Mirror, rearview, LH	PC	1
3	KPR200F03-03	Mirror, rearview, RH	PC	1
4	KPR200F03-04	Rubber, Stay, rearview mirror	PC	2
5	KPR200F03-05	Weight, steering bar	PC	2
6	KPR200F03-06	Grip, LH	PC	1
7	KPR200F03-07	Switch, handlebar, LH	PC	1
8	KPR200F03-08	Switch, handlebar, RH	PC	1
9	KPR200F03-09	Grip comp., throttle	PC	1
10	KPR200F03-10	Pipe set, steering bar, LH	PC	1
11	KPR200F03-11	Pipe set, steering bar, RH	PC	1

LF200-10P F-04 方向柱 STEERING STEM

F-04 方向柱 STEERING STEM



S/N	PartNo.	Description	Unit	Qty
1	KPR200F04-01	Stem set, steering	PC	1
2	KPR200F04-02	Bridge, upper	PC	1
3	KPR200F04-03	Lid comp., ignition switch lock	PC	1
4	KPR200F04-04	Hood, ignition switch	PC	1
5	KPR200F04-05	Top Bearing Top Ball Race	PC	1
6	KPR200F04-06	Steering Stem Bearing Set	PC	2
7	KPR200F04-07	Top Bearing Bottom Ball Race	PC	2
8	KPR200F04-08	Bottom Bearing Bottom Ball Race	PC	1
9	KPR200F04-09	Clamp, speed sensor	PC	1

LF200-10P F-05 前挡泥板 FRONT FENDER

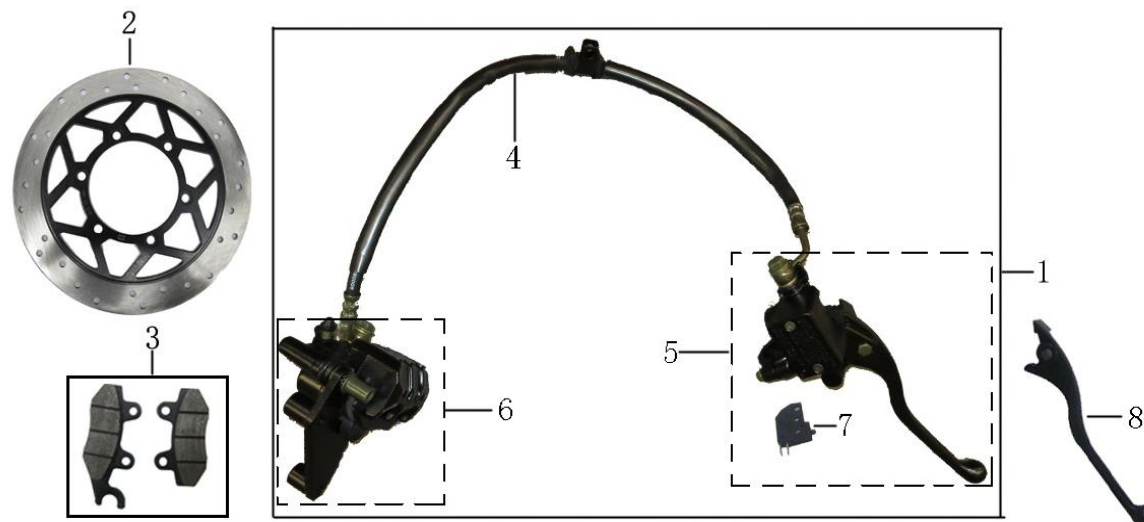
F-05 前挡泥板 FRONT FENDER



S/N	PartNo.	Description	Unit	Qty
1	KPR200F05-01	Front Fender	PC	1
2	KPR200F05-02	Lining set, front fender	PC	1
3	KPR200F05-03	Grommet, side cover	PC	6

LF200-10P F-06 前液压制动器总成 FRONT HYDRAULIC BRAKE ASSY

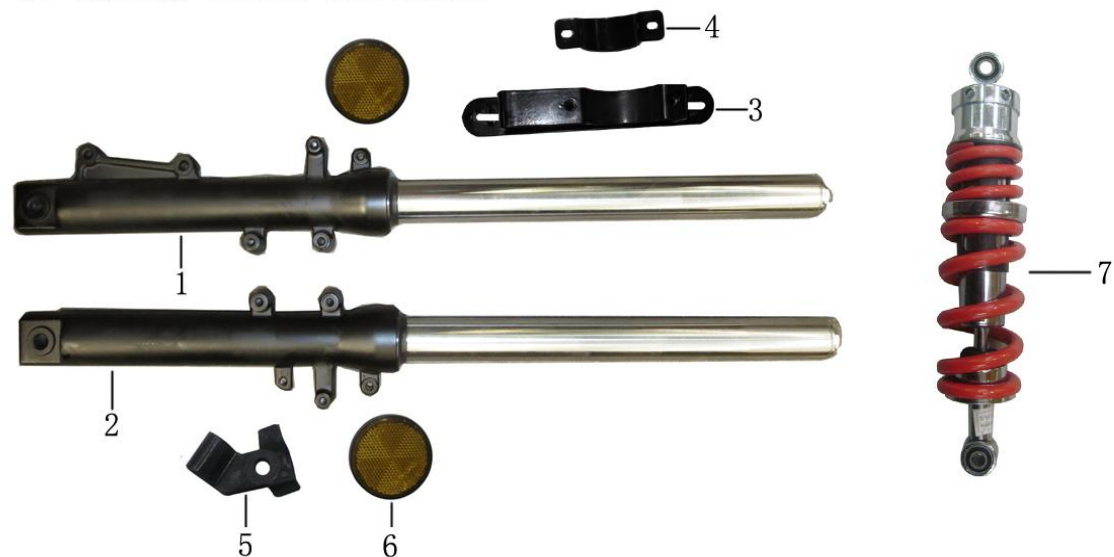
F-06 前液压制动器总成 FRONT HYDRAULIC BRAKE ASSY



S/N	PartNo.	Description	Unit	Qty
1	KPR200F06-01	Front Hydraulic Brake Assy	PC	1
2	KPR200F06-02	Disc, front brake	PC	1
3	KPR200F06-03	Front Brake Shoe Set	SET	1
4	KPR200F06-04	Hose, front brake	PC	1
5	KPR200F06-05	Cylinder, front brake master	PC	1
6	KPR200F06-06	Caliper, front brake	PC	1
7	KPR200F06-07	Front Brake Switch	PC	1
8	KPR200F06-08	Front Brake Lever	PC	1

LF200-10P F-07 減震器 SHOCK ABSORBER

F-07 減震器 SHOCK ABSORBER



S/N	PartNo.	Description	Unit	Qty
1	KPR200F07-01	Shock absorber, front, RH	PC	1
2	KPR200F07-02	Shock absorber, front, LH	PC	1
3	KPR200F07-03	Front License Bracket Comp.	PC	1
4	KPR200F07-04	Front License Bracket Press Plate	PC	1
5	KPR200F07-05	Stay, speed sensor	PC	1
6	KPR200F07-06	Reflector, front	PC	1
7	KPR200F07-07	Shock absorber Assy, rear	PC	1

LF200-10P F-08 油箱 FUEL TANK

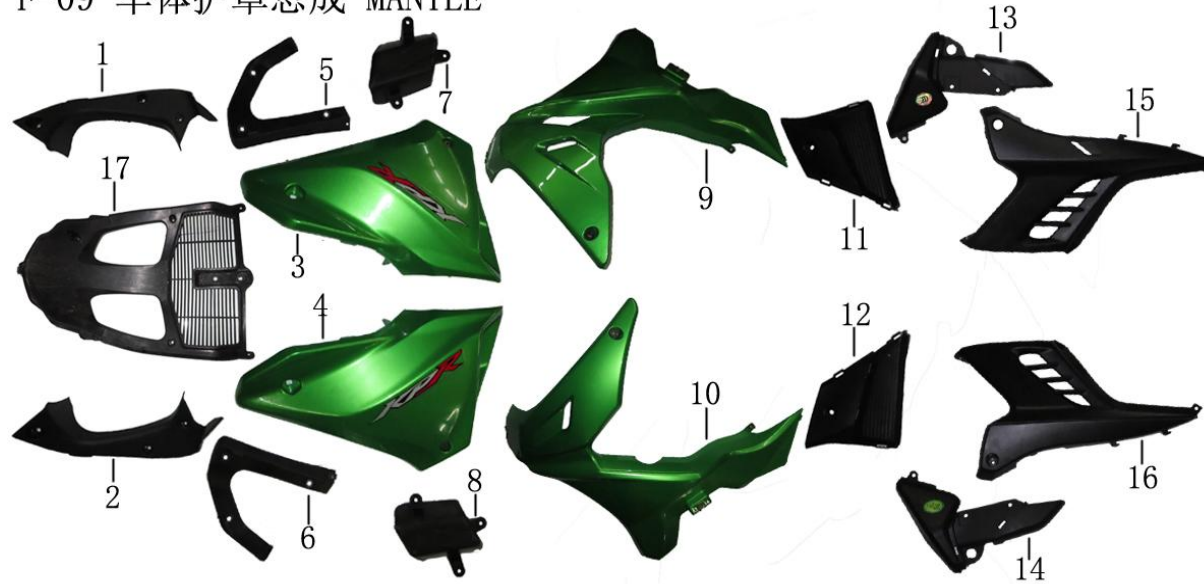
F-08 油箱 FUEL TANK



S/N	PartNo.	Description	Unit	Qty
1	KPR200F08-01	Tank weldment, fuel	PC	1
2	KPR200F08-02	Cushion, fuel tank front	PC	2
3	KPR200F08-03	Rubber, front fuel tank	PC	2
4	KPR200F08-04	Cushion, rear fuel tank	PC	1
5	KPR200F08-05	Sensor, fuel	PC	1
6	KPR200F08-06	Bolt M8×25	PC	1
7	KPR200F08-07	Washer, Flange Ø8.5×Ø32-13	PC	1
8	KPR200F08-08	Grommet, side cover	PC	7
9	KPR200F08-09	Fuel pump assembly	PC	1
10	KPR200F08-10	fuel pipe	PC	1
11	KPR200F08-11	Foam cushion II	PC	1
12	KPR200F08-12	Foam cushion	PC	1

LF200-10P F-09 车体护罩总成 MANTLE

F-09 车体护罩总成 MANTLE



S/N	PartNo.	Description	Unit	Qty
1	KPR200F09-01	Body, meter case upper, RH	PC	1
2	KPR200F09-02	Body, meter case upper, LH	PC	1
3	KPR200F09-03	Fuel Tank Ornament, RH Comp.	PC	1
4	KPR200F09-04	Fuel Tank Ornament, LH Comp.	PC	1
5	KPR200F09-05	Ornament set, fuel tank, RH II	PC	1
6	KPR200F09-06	Ornament set, fuel tank, LH II	PC	1
7	KPR200F09-07	Ornament, fuel tank inner, RH	PC	1
8	KPR200F09-08	Ornament, fuel tank inner, LH	PC	1
9	KPR200F09-09	Front Fairing Guard, RH	PC	1
10	KPR200F09-10	Front Fairing Guard, LH	PC	1
11	KPR200F09-11	Ornament, engine, RH	PC	1
12	KPR200F09-12	Ornament, engine, LH	PC	1
13	KPR200F09-13	Ornament, side cover, RH	PC	1
14	KPR200F09-14	Ornament, side cover, LH	PC	1
15	KPR200F09-15	Side Cover, RH	PC	1
16	KPR200F09-16	Side Cover, LH	PC	1
17	KPR200F09-17	Hood, radiator	PC	1

LF200-10P F-10 前轮 FRONT WHEEL

F-10 前轮 FRONT WHEEL

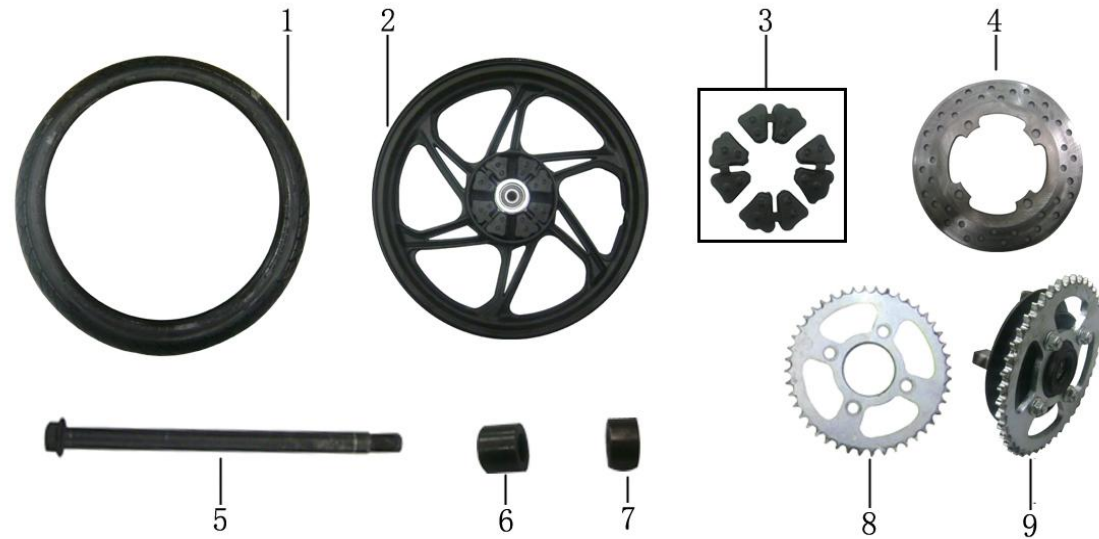


S/N	PartNo.	Description	Unit	Qty
1	KPR200F10-01	Tire, front	PC	1
2	KPR200F10-02	Hub comp., front wheel	PC	1
3	KPR200F10-03	Sensor, speed	PC	1
4	KPR200F10-04	Axle, frontM12×1.25×240	PC	1
5	KPR200F10-05	Bush, front wheel, RH	PC	1



LF200-10P F-11 后轮 REAR WHEEL

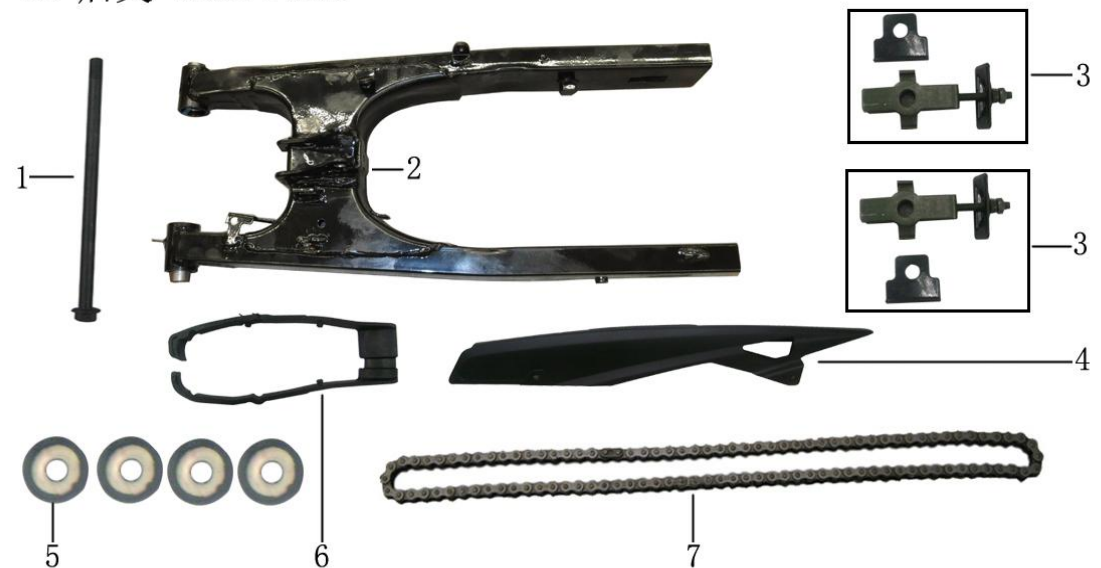
F-11 后轮 REAR WHEEL



S/N	PartNo.	Description	Unit	Qty
1	KPR200F11-01	Tire, rear	PC	1
2	KPR200F11-02	Hub, rear wheel	PC	1
3	KPR200F11-03	Buffer, rear wheel	SET	1
4	KPR200F11-04	Disc, rear brake	PC	1
5	KPR200F11-05	Axle, rear M14×1.5×275	PC	1
6	KPR200F11-06	Rear Wheel Bush, LH	PC	1
7	KPR200F11-07	Rear Wheel Bush, RH	PC	1
8	KPR200F11-08	Sprocket	PC	1
9	KPR200F11-09	Hub Assy, sprocket	PC	1

LF200-10P F-12 后叉 REAE FORK

F-12 后叉 REAE FORK



S/N	PartNo.	Description	Unit	Qty
1	KPR200F12-01	Shaft, rear fork M14×1.5×295	PC	1
2	KPR200F12-02	Fork comp., rear	PC	1
3	KPR200F12-03	Adjuster set, chain	PC	2
4	KPR200F12-04	Chaincase	PC	1
5	KPR200F12-05	Dust cover, rear fork shaft	PC	4
6	KPR200F12-06	Guide, chain	PC	1
7	KPR200F12-07	Chain, 08MC×128	PC	1

F-13 坐墊 空濾器 SEAT & AIR CLEANER



S/N	PartNo.	Description	Unit	Qty
1	KPR200F13-01	Seat Assy, rider	PC	1
2	KPR200F13-02	Pad, seat rear	PC	1
3	KPR200F13-03	Cleaner Assy, air	PC	1
4	KPR200F13-04	Element, air cleaner	PC	1
5	KPR200F13-05	Plate, seat rear connecting	PC	1
6	KPR200F13-06	Grommet, side cover	PC	2

LF200-10P F-14 排气消声器总成 EXHAUST MUFFLER

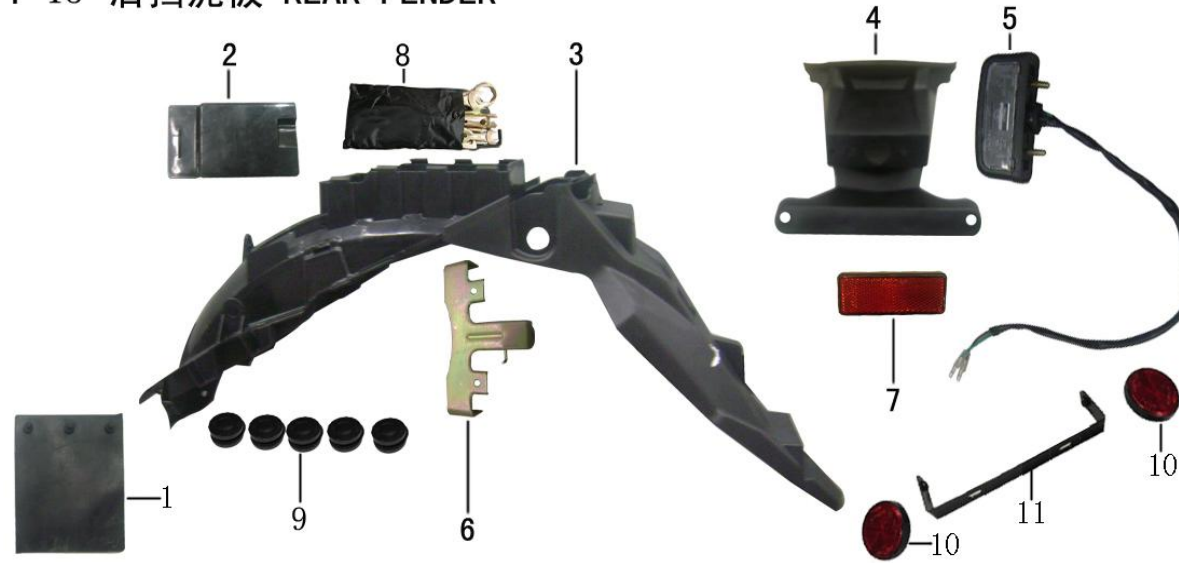
F-14 排气消声器总成 EXHAUST MUFFLER



S/N	PartNo.	Description	Unit	Qty
1	KPR200F14-01	Muffler Assy, exhaust	PC	1
2	KPR200F14-02	Ornament, muffler	PC	1
3	KPR200F14-03	Gasket set, muffler	PC	1

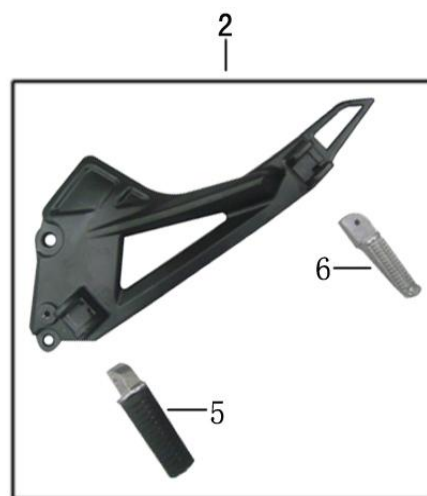
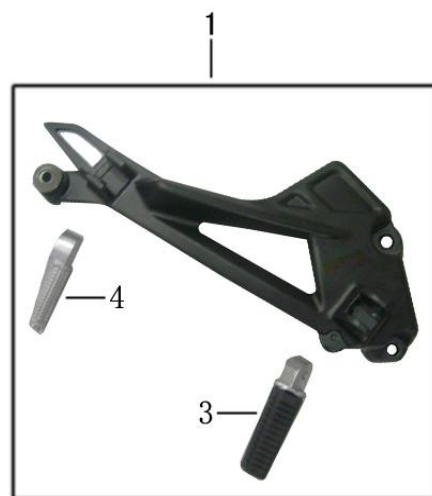
LF200-10P F-15 后挡泥板 REAR FENDER

F-15 后挡泥板 REAR FENDER



S/N	PartNo.	Description	Unit	Qty
1	KPR200F15-01	Flap, rear mud	PC	1
2	KPR200F15-02	Cover, tool box	PC	1
3	KPR200F15-03	Fender, rear	PC	1
4	KPR200F15-04	Ornament, rear fender	PC	1
5	KPR200F15-05	Light comp., license plate	PC	1
6	KPR200F15-06	Bracket set, front body	PC	1
7	KPR200F15-07	Reflector, rear	PC	1
8	KPR200F15-08	Kit, tool	SET	1
9	KPR200F15-09	Grommet, side cover	PC	5
10	KPR200F15-10	Side Reflector	PC	2
11	KPR200F15-11	Rear license plate bracket	PC	1

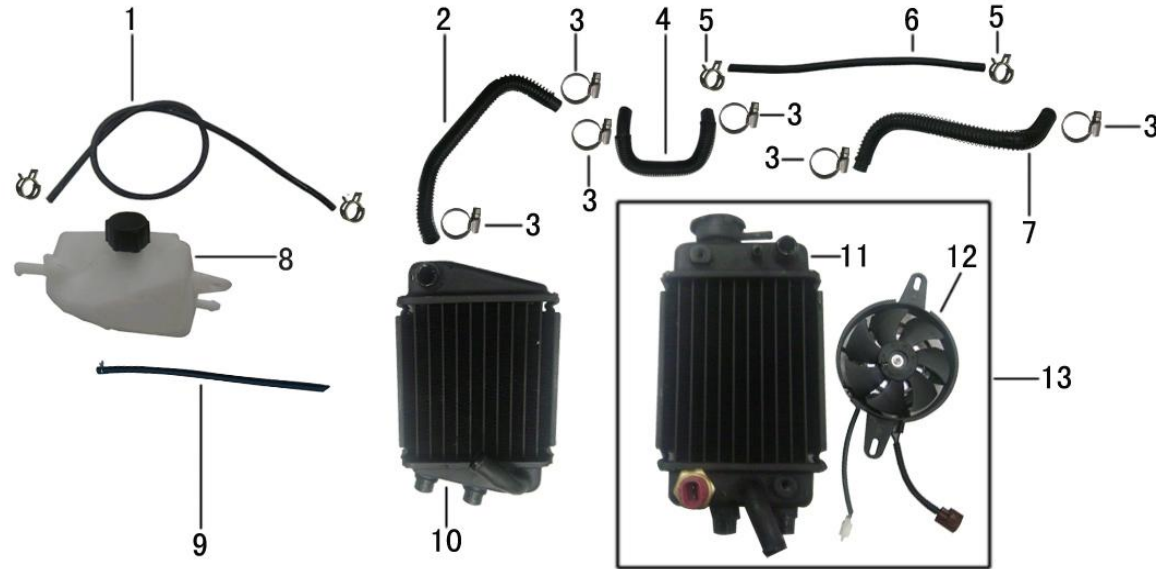
F-16 搁脚组合 FOOTRESTS



S/N	PartNo.	Description	Unit	Qty
1	KPR200F16-01	Footrest Assy, rider, RH	PC	1
2	KPR200F16-02	Footrest Assy, rider, LH	PC	1
3	KPR200F16-03	Footrest comp., rider, RH	PC	1
4	KPR200F16-04	Treadle, pillion, RH	PC	1
5	KPR200F16-05	Footrest comp., rider, LH	PC	1
6	KPR200F16-06	Treadle, pillion, LH	PC	1

LF200-10P F-17 散热器总成 RADIATOR

F-17 散热器总成 RADIATOR



S/N	PartNo.	Description	Unit	Qty
1	KPR200F17-01	Pipe, storage reservoir outlet	PC	1
2	KPR200F17-02	Hose, radiator inlet	PC	1
3	KPR200F17-03	Clamp, 25	PC	6
4	KPR200F17-04	Pipe., connecting	PC	1
5	KPR200F17-05	Clamp	PC	2
6	KPR200F17-06	Pipe, small	PC	1
7	KPR200F17-07	Hose, radiator outlet	PC	1
8	KPR200F17-08	Reservoir, storage	PC	1
9	KPR200F17-09	Pipe II, storage reservoir outlet	PC	1
10	KPR200F17-10	Radiator set	PC	1
11	KPR200F17-11	Radiator II	PC	1
12	KPR200F17-12	Fan Assy	PC	1
13	KPR200F17-13	Radiator set II	PC	1

F-18 电器 ELECTRICAL ELEMENTS



S/N	PartNo.	Description	Unit	Qty
1	KPR200F18-01	Cable, main	PC	1
2	KPR200F18-02	Horn	PC	1
3	KPR200F18-03	Relay, flashing	PC	1
4	KPR200F18-04	EFI Relay	PC	2
5	KPR200F18-05	Battery, 12N9-BS	PC	1
6	KPR200F18-06	Fuse	PC	1



LF200-10P F-19 转向灯 尾灯 WINKER & TAILLIGHT

F-19 转向灯 尾灯 WINKER & TAILLIGHT



S/N	PartNo.	Description	Unit	Qty
1	KPR200F19-01	Winker, front, LH	PC	1
2	KPR200F19-02	Winker, front, RH	PC	1
3	KPR200F19-03	Winker, rear, LH	PC	1
4	KPR200F19-04	Winker, rear, RH	PC	1
5	KPR200F19-05	Taillight Assy	PC	1

LF200-10P F-20 后围板 REAR PANEL & SS/NE COVER

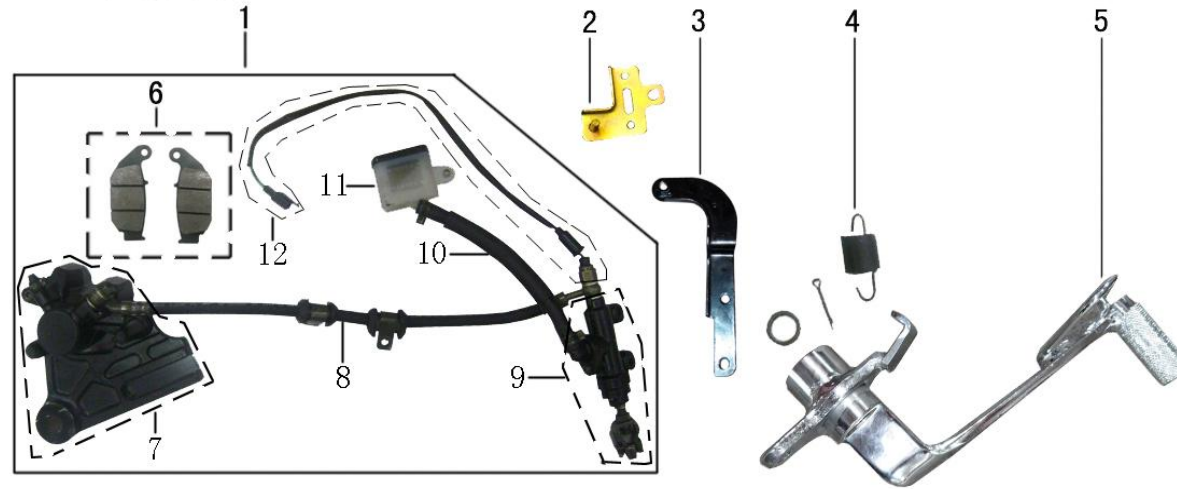
F-20 后围板 REAR COWL



S/N	PartNo.	Description	Unit	Qty
1	KPR200F20-01	Ornament, rear panel, RH	PC	1
2	KPR200F20-02	Ornament, rear panel, LH	PC	1
3	KPR200F20-03	Plate, rear panel connecting, RH	PC	1
4	KPR200F20-04	Plate, rear panel connecting, LH	PC	1
5	KPR200F20-05	Panel, rear	PC	1
6	KPR200F20-06	Grommet, side cover	PC	4

LF200-10P F-21 后制动器 REAR BRAKE

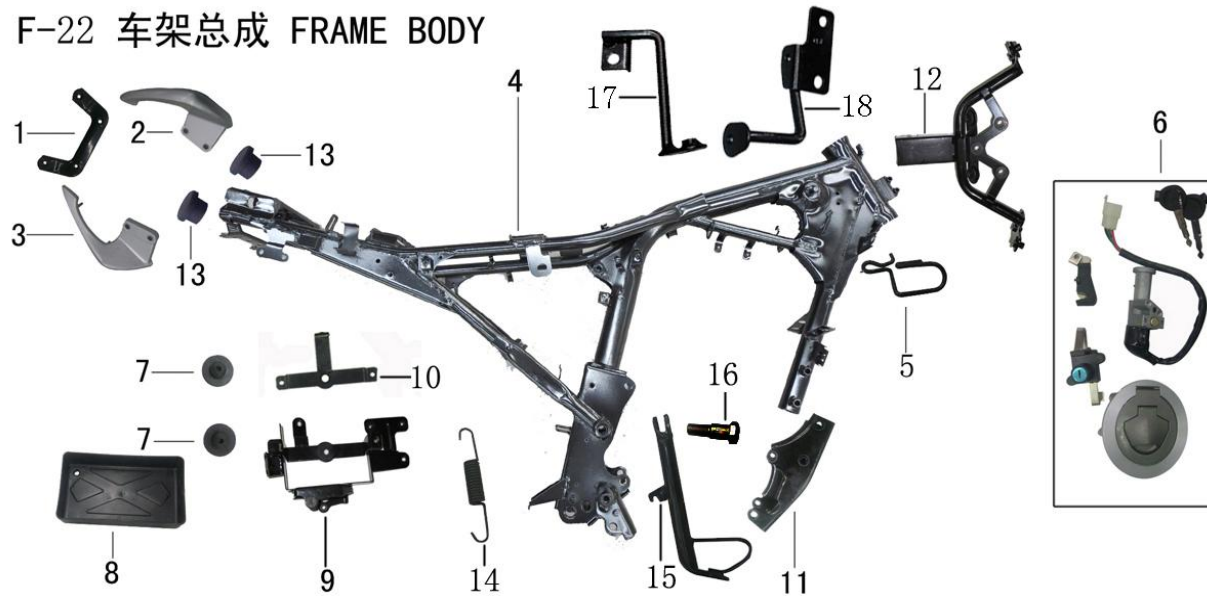
F-21 后制动器 REAR BRAKE



S/N	PartNo.	Description	Unit	Qty
1	KPR200F21-01	Rear Hydraulic Disc Brake	PC	1
2	KPR200F21-02	Bracket set, rear brake reservoir	PC	1
3	KPR200F21-03	Bracket set, rear brake master	PC	1
4	KPR200F21-04	Spring set, rear brake pedal	PC	1
5	KPR200F21-05	Pedal, rear brake	PC	1
6	KPR200F21-06	Rear Brake Shoe Set	SET	1
7	KPR200F21-07	Sub-cylinder, rear brake	PC	1
8	KPR200F21-08	Hose comp., rear brake	PC	1
9	KPR200F21-09	Cylinder, rear brake master	PC	1
10	KPR200F21-10	Connecting pipe, Reservoir comp	PC	1
11	KPR200F21-11	Reservoir comp, rear brake	PC	1
12	KPR200F21-12	Switch, rear brake	PC	1

LF200-10P F-22 车架总成 FRAME BODY

F-22 车架总成 FRAME BODY



S/N	PartNo.	Description	Unit	Qty
1	KPR200F22-01	Bracket set, rear panel	PC	1
2	KPR200F22-02	Handrail, LH	PC	1
3	KPR200F22-03	Handrail, RH	PC	1
4	KPR200F22-04	Body weldment, frame	PC	1
5	KPR200F22-05	Clamp, main cable	PC	1
6	KPR200F22-06	Lock Assy	SET	1
7	KPR200F22-07	Cushion, battery	PC	2
8	KPR200F22-08	Case, battery	PC	1
9	KPR200F22-09	Stay set, battery	PC	1
10	KPR200F22-10	Plate set, battery pressing	PC	1
11	KPR200F22-11	Plate, engine front connecting	PC	1
12	KPR200F22-12	Stay comp., headlight	PC	1
13	KPR200F22-13	Frame Hole Plug	PC	2
14	KPR200F22-14	Spring, side stand	PC	1
15	KPR200F22-15	Stand, side	PC	1
16	KPR200F22-16	Bolt, pivot	PC	1
17	KPR200F22-17	Stay set, front fairing, LH	PC	1
18	KPR200F22-18	Stay set., front fairing, RH	PC	1

LF200-10P F-23 燃油蒸发系统 FUEL EVAPORATING SYSTEM

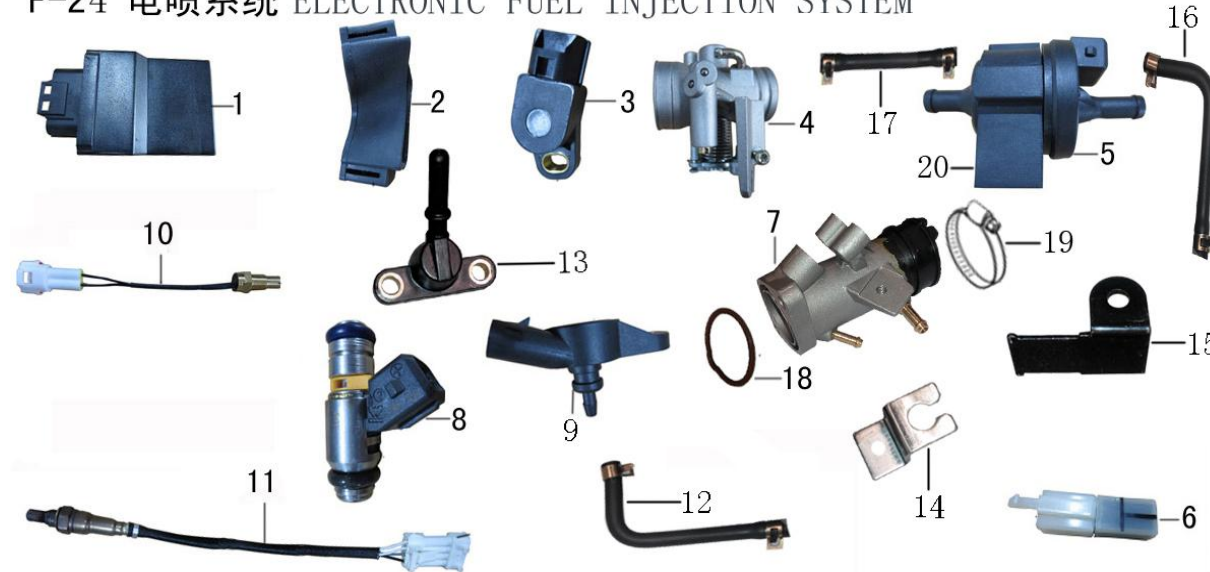
F-23 燃油蒸发系统 FUEL EVAPORATING SYSTEM



S/N	PartNo.	Description	Unit	Qty
1	KPR200F23-01	Fuel Evaporating System	SET	1
2	KPR200F23-02	Stay, Canister, active carbon	PC	1

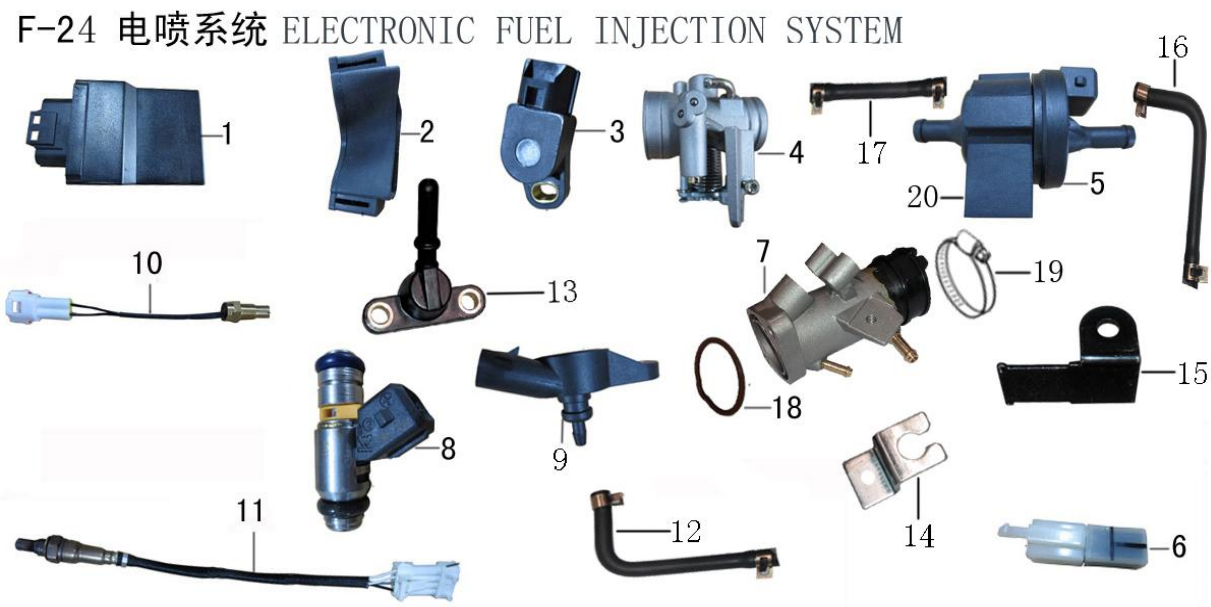
LF200-10P F-24 电喷系统 ELECTRONIC FUEL INJECTION SYSTEM

F-24 电喷系统 ELECTRONIC FUEL INJECTION SYSTEM



S/N	PartNo.	Description	Unit	Qty
1	KPR200F24-01	EFI controller	PC	1
2	KPR200F24-02	Boot, ECU	PC	1
3	KPR200F24-03	Throttle position sensor	PC	1
4	KPR200F24-04	Throttle body	PC	1
5	KPR200F24-05	Idle valve (carbon canister)	PC	1
6	KPR200F24-06	Air temperature sensor	PC	1
7	KPR200F24-07	Intake manifold comp	PC	1
8	KPR200F24-08	Injector	PC	1
9	KPR200F24-09	Intake pressure sensor	PC	1
10	KPR200F24-10	Water temperature sensor	PC	1
11	KPR200F24-11	Oxygen sensor	PC	1
12	KPR200F24-12	Throttle pressure collecting pipe	PC	1
13	KPR200F24-13	Fuel Rail	PC	1
14	KPR200F24-14	Stay, Intake pressure sensor	PC	1
15	KPR200F24-15	Stay, Idle valve	PC	1

LF200-10P F-24 电喷系统 ELECTRONIC FUEL INJECTION SYSTEM



S/N	PartNo.	Description	Unit	Qty
16	KPR200F24-16	Inlet pipe, Idle valve	PC	1
17	KPR200F24-17	Pipe, Idle valve	PC	1
18	KPR200F24-18	Inlet Pipe Gasket	PC	1
19	KPR200F24-19	Clamp, inlet pipe	PC	1
20	KPR200F24-20	Boot, carbon canister	PC	1