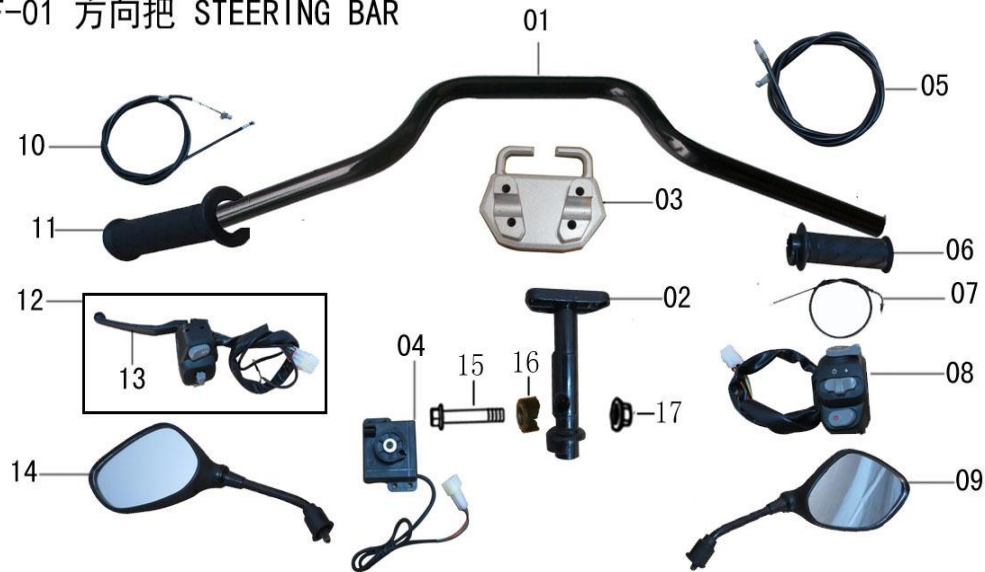


**LIFAN E3 1200W 60V LITHIUM
PARTS CATALOG**



LF1200DT F-01 方向把 STEERING BAR

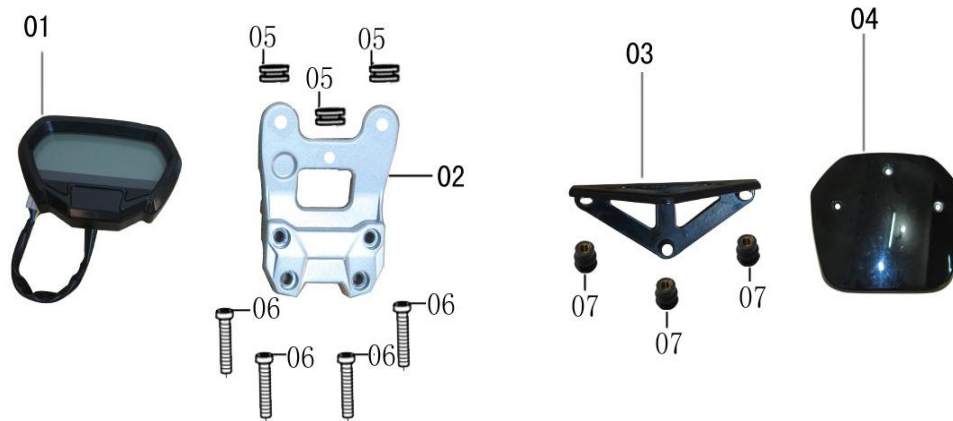
F-01 方向把 STEERING BAR



Parts No.	Description	Unit
LF1200DTF01-01	Steering bar pipe	PC
LF1200DTF01-02	Steering stem connecting set	PC
LF1200DTF01-03	Steering stem top bridge	PC
LF1200DTF01-04	Accelerator comp.	PC
LF1200DTF01-05	Seat lock cable	PC
LF1200DTF01-06	Throttle Grip	PC
LF1200DTF01-07	Throttle cable comp.	PC
LF1200DTF01-08	Handlebar switch, RH	PC
LF1200DTF01-09	Rearview mirrow, RH	PC
LF1200DTF01-10	Rear brake cable	PC
LF1200DTF01-11	Grip, LH	PC
LF1200DTF01-12	Handlebar switch, LH	PC
LF1200DTF01-13	Rear Brake Lever	PC
LF1200DTF01-14	Rearview mirrow, RH	PC
LF1200DTF01-15	Bolt M10×1.25×50	PC
LF1200DTF01-16	Clamp, steering bar pipe	PC
LF1200DTF01-17	Nut M10×1.25	PC

LF1200DT F-02 仪表总成 METER ASSY

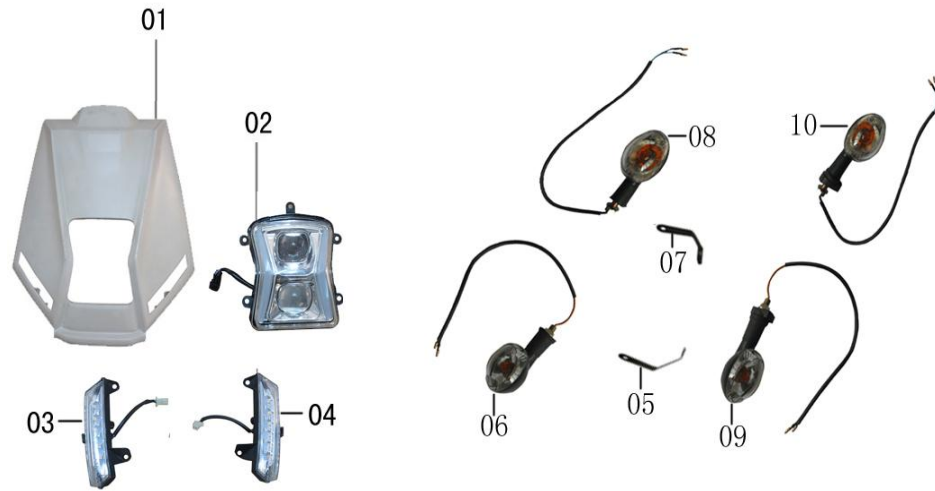
F-02 仪表总成 METER ASSY



Parts No.	Description	Unit
LF1200DTF02-01	Meter assy.	PC
LF1200DTF02-02	Steering bar clamp	PC
LF1200DTF02-03	Meter bracket	PC
LF1200DTF02-04	Meter case	PC
LF1200DTF02-05	Grommet, side cover	PC
LF1200DTF02-06	Screw, hexagon socket head, M8×40	PC
LF1200DTF02-07	Nut set, round	PC

LF1200DT F-03 前面板&前大灯 FRONT COVER & HEADLIGHT

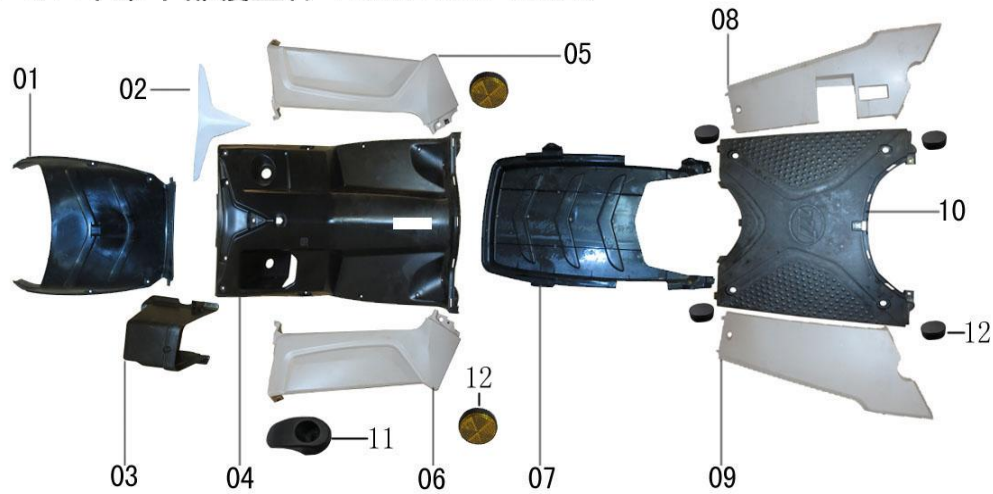
F-03 前面板 & 前大灯 FRONT COVER & HEADLIGHT



Parts No.	Description	Unit
LF1200DTF03-01	Front cowl	PC
LF1200DTF03-02	Headlight assy.	PC
LF1200DTF03-03	Front Blinker, LH	PC
LF1200DTF03-04	Front Blinker, RH	PC
LF1200DTF03-05	Front Blinker Bracket, LH	PC
LF1200DTF03-06	Front Blinker II, LH	PC
LF1200DTF03-07	Front Blinker Bracket, RH	PC
LF1200DTF03-08	Front Blinker II, RH	PC
LF1200DTF03-09	Rear Blinker II, LH	PC
LF1200DTF03-10	Rear Blinker II, RH	PC

LF1200DT F-04 车架中部覆盖件 FRAME MID COVER

F-04 车架中部覆盖件 FRAME MID COVER



Parts No.	Description	Unit
LF1200DTF04-01	Front guard	PC
LF1200DTF04-02	Front trunk ornament	PC
LF1200DTF04-03	Front trunk connecting plate	PC
LF1200DTF04-04	Front trunk	PC
LF1200DTF04-05	Windshield, RH	PC
LF1200DTF04-06	Windshield, LH	PC
LF1200DTF04-07	Lower guard	PC
LF1200DTF04-08	Guard, RH	PC
LF1200DTF04-09	Guard, LH	PC
LF1200DTF04-10	Rider treadle	PC
LF1200DTF04-11	Hook, helmet	PC
LF1200DTF04-12	Dust cover	PC
LF1200DTF04-13	Fronrt Reflector	PC

LF1200DT F-05 覆盖件 COVER

F-05 覆盖件 COVER



Parts No.	Description	Unit
LF1200DTF05-01	Rear panel, LH	PC
LF1200DTF05-02	Pillion footrest plate, LH	PC
LF1200DTF05-03	Rear panel, RH	PC
LF1200DTF05-04	Pillion footrest plate, RH	PC
LF1200DTF05-05	Rear carrier	PC

LF1200DT F-06 后置物箱 REAR LUGGAGE

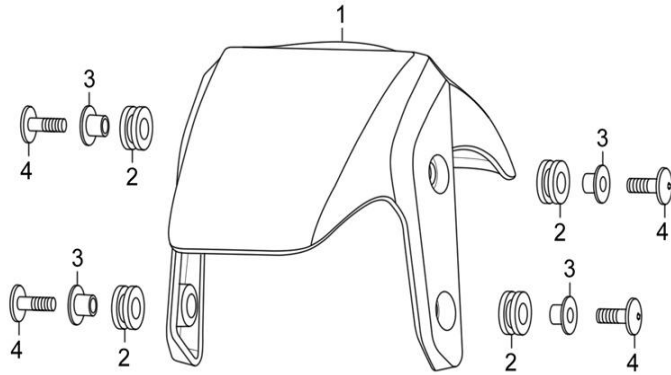
F-6 后置物箱 REAR LUGGAGE



Parts No.	Description	Unit
LF1200DTF06-01	Rear trunk front hood	PC
LF1200DTF06-02	Rear lower trunk	PC
LF1200DTF06-03	Rear trunk	PC
LF1200DTF06-04	Rear trunk cover set	PC
LF1200DTF06-05	Rear trunk cover buckle	PC
LF1200DTF06-06	Rear trunk cover buckle spring	PC
LF1200DTF06-07	Seat	PC
LF1200DTF06-08	Battery pressing spring	PC
LF1200DTF06-09	Battery pressing plate	PC
LF1200DTF06-10	Battery Cushion	PC
LF1200DTF06-11	VIN cover	PC
LF1200DTF06-12	Pin $\phi 5.5 \times 87$	PC
LF1200DTF06-13	Stop Collar	PC
LF1200DTF06-14	Pin $\phi 5.5 \times 80$	PC
LF1200DTF06-15	Spring, rear trunk cover	PC
LF1200DTF06-16	Lining, rear trunk inner	PC

LF1200DT F-07 前挡泥板 FRONT FENDER

F-07 前挡泥板 FRONT FENDER



Parts No.	Description	Unit
LF1200DTF07-01	Front fender	PC
LF1200DTF07-02	Grommet, side cover	PC
LF1200DTF07-03	Collar, $\Phi 6.5 \times \Phi 18-7$	PC
LF1200DTF07-04	Steel, stainless, M6 \times 20- $\Phi 16$	PC

LF1200DT F-08 后挡泥板 REAR FENDER

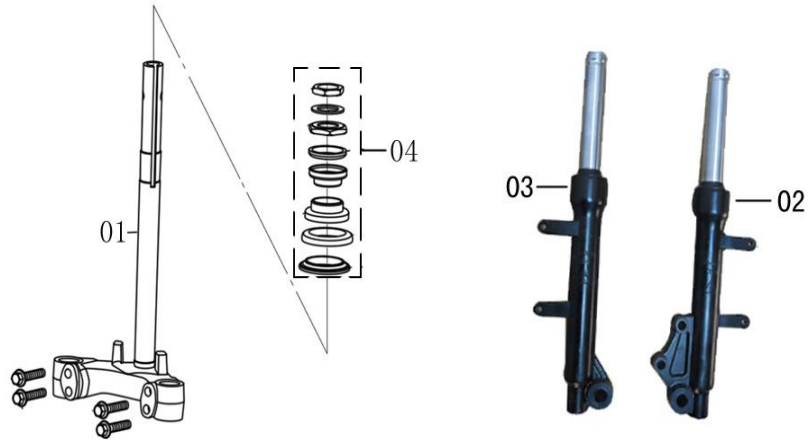
F-08 后挡泥板 REAR FENDER



Parts No.	Description	Unit
LF1200DTF08-01	Rear head fender	PC
LF1200DTF08-02	Rear mid fender	PC
LF1200DTF08-03	Taillight assy.	PC
LF1200DTF08-04	Rear tail fender	PC
LF1200DTF08-05	Winker, rear, RH	PC
LF1200DTF08-06	Rear winker, LH	PC
LF1200DTF08-07	Side Reflector, Rear	SET
LF1200DTF08-08	Rear license plate bracket set	PC
LF1200DTF08-09	License plate light comp.	PC
LF1200DTF08-10	Bulb	PC
LF1200DTF08-11	Rear Reflector	PC
LF1200DTF08-12	Rear Fender Rear part	PC

LF1200DT F-09 前叉 FRONT FORK

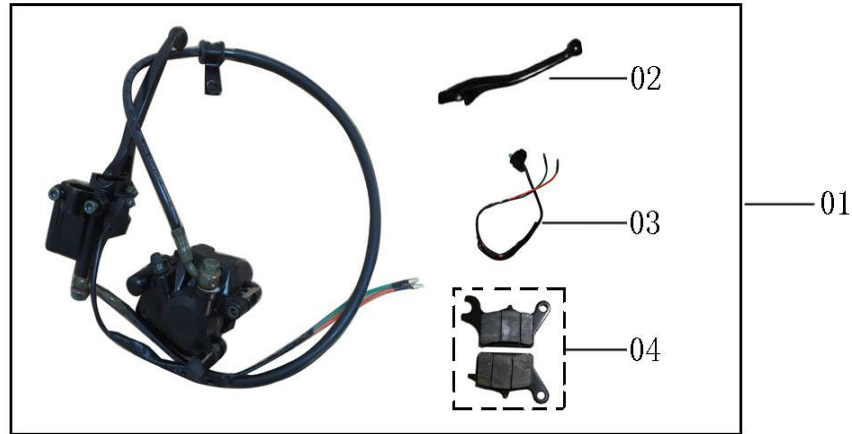
F-09 前叉 FRONT FORK



Parts No.	Description	Unit
LF1200DTF09-01	Steering stem comp.	PC
LF1200DTF09-02	Front shock absorber, LH	PC
LF1200DTF09-03	Front shock absorber, RH	PC
LF1200DTF09-04	Steering stem bearing set	SET

LF1200DT F-10 前液压制动器总成 FRONT HYDRAULIC BRAKE ASSY

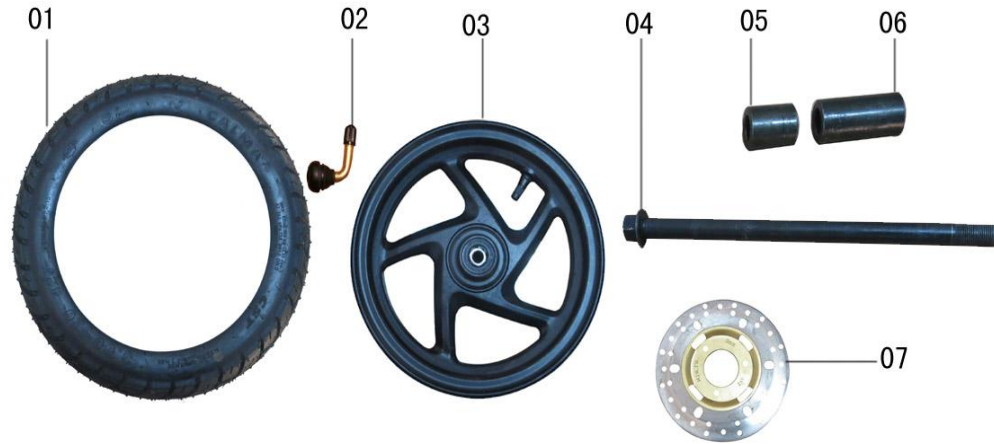
F-10 前液压制动器总成 FRONT HYDRAULIC BRAKE ASSY



Parts No.	Description	Unit
LF1200DTF10-01	Front hydraulic brake assy.	PC
LF1200DTF10-02	Front Brake Lever	PC
LF1200DTF10-03	Front Brake Switch	PC
LF1200DTF10-04	Front Disc Brake Pad	SET

LF1200DT F-11 前轮 FRONT WHEEL

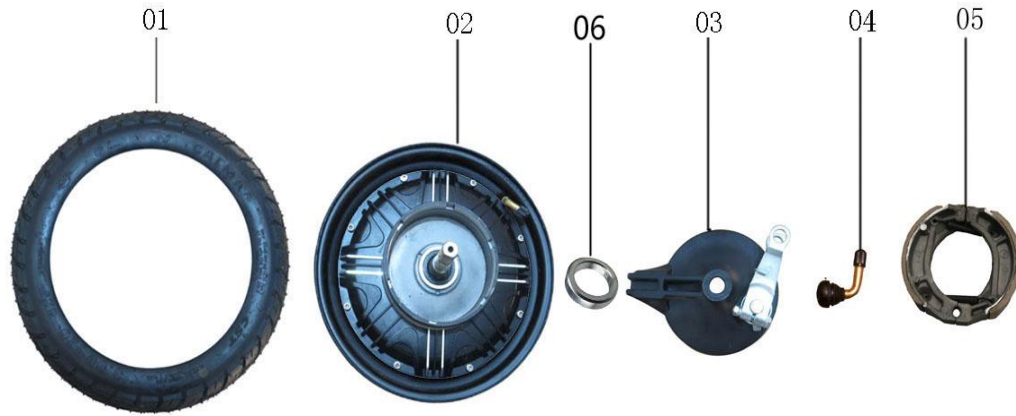
F-11 前轮 FRONT WHEEL



Parts No.	Description	Unit
LF1200DTF11-01	Front Tyre 3.00-10	PC
LF1200DTF11-02	Tube Valve	PC
LF1200DTF11-03	Front wheel hub comp. 2.15-10	PC
LF1200DTF11-04	Front Axle M12×1.25×220	PC
LF1200DTF11-05	Front wheel bush, LH φ 12 × φ 20 × 23	PC
LF1200DTF11-06	Front wheel bush, RH φ 12 × φ 20 × 40	PC
LF1200DTF11-07	Front brake disk	PC

LF1200DT F-12 后轮 REAR WHEEL

F-12 后轮 REAR WHEEL



Parts No.	Description	Unit
LF1200DTF12-01	Rear Tyre 100/80-10	PC
LF1200DTF12-02	Motor	PC
LF1200DTF12-03	Rear brake	PC
LF1200DTF12-04	Tube Valve	PC
LF1200DTF12-05	Rear Disc Brake Pad	PC

LF1200DT F-13 后减震器总成 REAR SHOCK ABSORBER ASSY

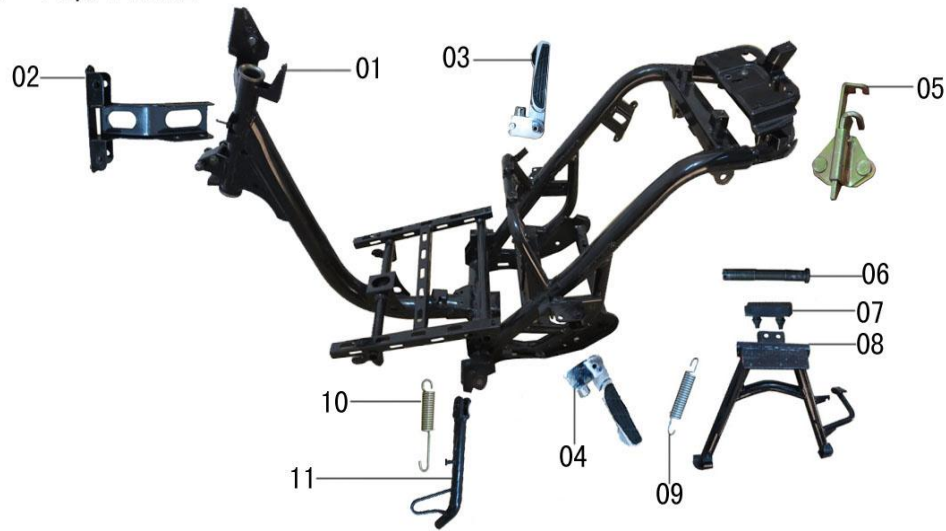
F-13 后减震器总成 REAR SHOCK ABSORBER ASSY



Parts No.	Description	Unit
LF1200DTF13-01	Rear shock absorber	PC

LF1200DT F-14 车架 FRAME

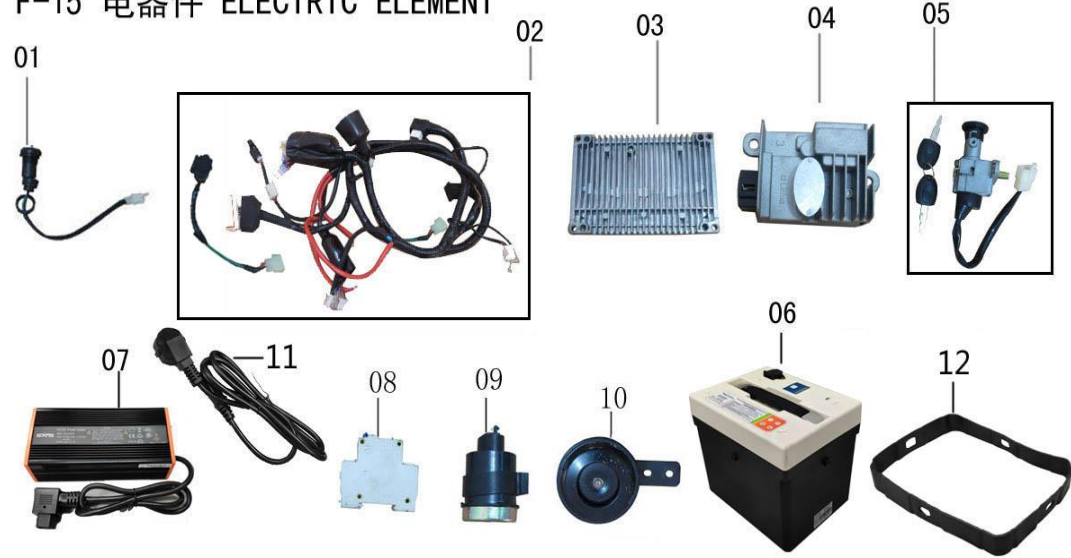
F-14 车架 FRAME



Parts No.	Description	Unit
LF1200DTF14-01	Frame weldment	PC
LF1200DTF14-02	Front cowl stay set	PC
LF1200DTF14-03	Pillion footrest assy., RH	PC
LF1200DTF14-04	Pillion footrest assy., LH	PC
LF1200DTF14-05	Seat Lock Set	PC
LF1200DTF14-06	Center stand shaft	PC
LF1200DTF14-07	Rubber, Center Stand	PC
LF1200DTF14-08	Center stand	PC
LF1200DTF14-09	Center stand spring	PC
LF1200DTF14-10	Side stand spring	PC
LF1200DTF14-11	Side stand comp.	PC

LF1200DT F-15 电器件 ELECTRIC ELEMENT

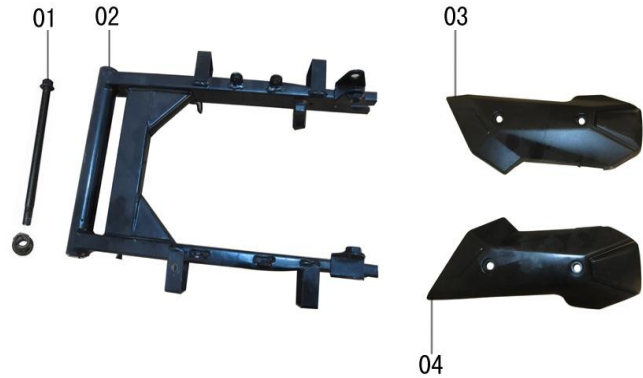
F-15 电器件 ELECTRIC ELEMENT



Parts No.	Description	Unit
LF1200DTF15-01	USB	PC
LF1200DTF15-02	Main cable	PC
LF1200DTF15-03	Controller	PC
LF1200DTF15-04	DC-DC transformer	PC
LF1200DTF15-05	Lock Kit	PC
LF1200DTF15-06	Lithium battery	PC
LF1200DTF15-07	Charger comp.	PC
LF1200DTF15-08	Overload protective switch	PC
LF1200DTF15-09	Flashing relay	PC
LF1200DTF15-10	Horn	PC
LF1200DTF15-11	Power line	PC
LF1200DTF15-12	Cushion	PC

LF1200DT F-16 后叉焊接组合 REAR FORK

F-16 后叉焊接组合 REAR FORK



Parts No.	Description	Unit
LF1200DTF16-01	Rear Fork Axle M12×1.25×290	PC
LF1200DTF16-02	Rear fork comp.	PC
LF1200DTF16-03	Rear wheel guard, RH	PC
LF1200DTF16-04	Rear wheel guard, LH	PC