

WILLY'S 200CC UTILITY VEHICLE PARTS CATALOG



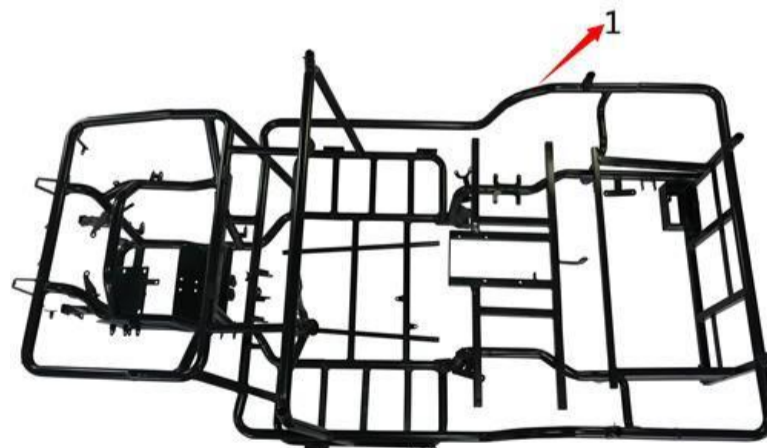
8893307

PARTS LIST

V 1.1



Item No.	Part No.	Description	Quantity
1	PAZ200-1-A-1	Seat	2
2	PAZ200-1-A-2	Safety belt	2



Item No.	Part No.	Description	Quantity
1	PAZ200-1-B-1	Frame	1

V 1.1

PARTS LIST

8893307



Item No.	Part No.	Description	Quantity
1	PAZ200-1-C-1	Foot Board	1
2	PAZ200-1-C-2	Cargo Bed Cover	1
3	PAZ200-1-C-3	Grille	1
4	PAZ200-1-C-4	Side Foot Boards	2
5	PAZ200-1-C-5	Shifter/Handbrake Cover	1



Item No.	Part No.	Description	Quantity
1	PAZ200-1-D-1	Rear Body	1

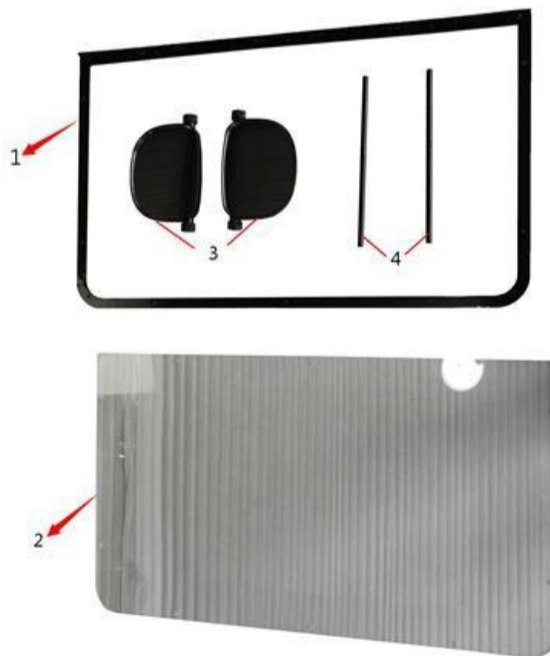
8893307

PARTS LIST

V 1.1



Item No.	Part No.	Description	Quantity
1	PAZ200-1-E-1	Floorboard	1
2	PAZ200-1-E-2	Hood	2



Item No.	Part No.	Description	Quantity
1	PAZ200-1-G-1	Windscreen Frame	1
2	PAZ200-1-G-2	Windscreen	1
3	PAZ200-1-G-3	Rearview Mirror	2
4	PAZ200-1-G-4	Rearview Mirror Post	2

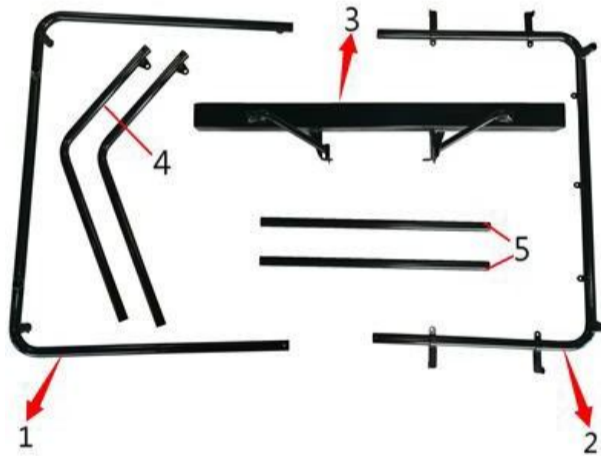
V 1.1

PARTS LIST

8893307



Item No.	Part No.	Description	Quantity
1	PAZ200-1-R-1	Front Body	1



Item No.	Part No.	Description	Quantity
1	PAZ200-1-H-1	Canopy Bracket 1	1
2	PAZ200-1-H-2	Canopy Bracket 2	1
3	PAZ200-1-H-3	Front Bumper	1
4	PAZ200-1-H-4	Canopy Bracket 3	2
5	PAZ200-1-H-5	Canopy Bracket 4	2

8893307

PARTS LIST

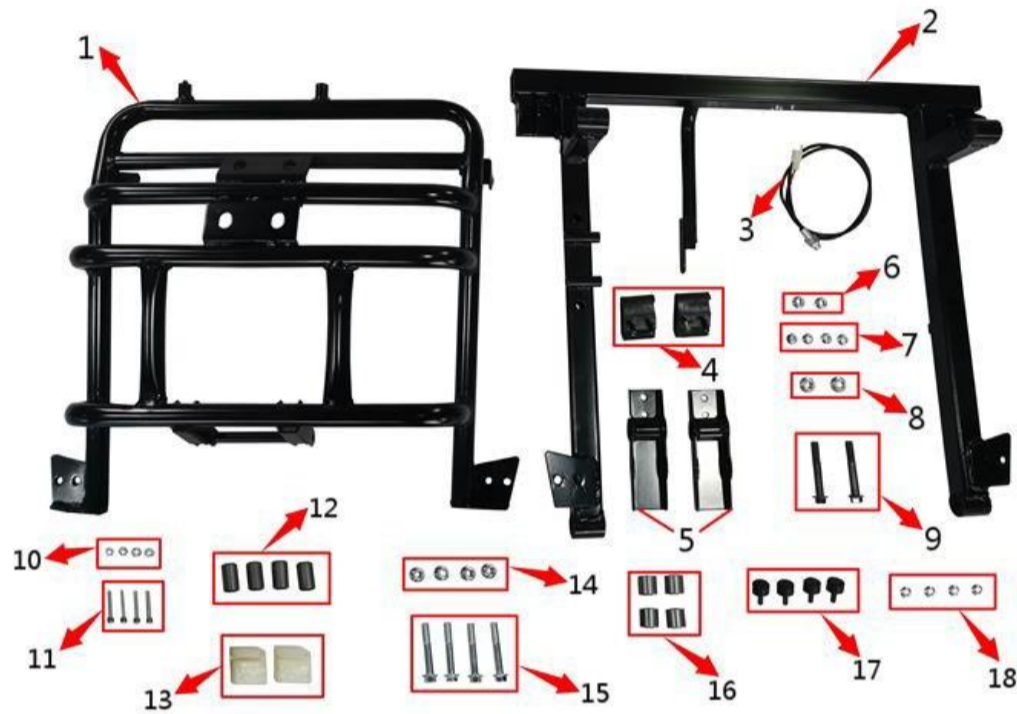
V 1.1



Item No.	Part No.	Description	Quantity
1	PAZ200-1-F-1	Wiring Harness	1
2	PAZ200-1-F-2	Headlight	2
3	PAZ200-1-F-3	Tachometer	1
4	PAZ200-1-F-4	Fuel Gage	1
5	PAZ200-1-F-5	Keyed Ignition Switch	1
6	PAZ200-1-F-6	Headlight Switch	1
7	PAZ200-1-F-7	Turn Signal Switch	1
8	PAZ200-1-F-8	Hi/Lo Beam Switch	1
9	PAZ200-1-F-9	Ground Wire	1
10	PAZ200-1-F-10	Horn	1
11	PAZ200-1-F-11	Relay	1
12	PAZ200-1-F-12	Horn Pushbutton	1
13	PAZ200-1-F-13	Fault Indicator	1
14	PAZ200-1-F-14	Reverse Light x 2	1
15	PAZ200-1-F-15	Brake Light x 2	2
16	PAZ200-1-F-16	Turn Light x 2	1
17	PAZ200-1-F-17	Flasher	1
18	PAZ200-1-F-18	Gel Battery	1
19	PAZ200-1-F-19	Battery Bolts & Nuts	1
20	PAZ200-1-F-20	Rubber Battery Strap	1

V 1.1

PARTS LIST



Item No.	Part No.	Description	Quantity
1	PAZ200-1-I-1	Engine Cradle	1
2	PAZ200-1-I-2	Rear Suspension Frame	1
3	PAZ200-1-I-3	Speed Sensor	1
4	PAZ200-1-I-4	Rubber Cushion Block	2
5	PAZ200-1-I-5	Rear Suspension Shock Bracket	2
6	PAZ200-1-I-6	M10 Self-Locking Nut	2
7	PAZ200-1-I-7	M8 Self-Locking Nut	4
8	PAZ200-1-I-8	M12 Self-Locking Nut	2
9	PAZ200-1-I-9	M12 x 80 Bolt	2
10	PAZ200-1-I-10	M8 Hex Nut	4
11	PAZ200-1-I-11	M8 x 50 Bolt	4
12	PAZ200-1-I-12	Shock Bushing	4
13	PAZ200-1-I-13	Shock Cushion Block	2
14	PAZ200-1-I-14	M10 Self-Locking Nut	4
15	PAZ200-1-I-15	M10 x 70 Bolt	4
16	PAZ200-1-I-16	Shock Cushion Bushing	4
17	PAZ200-1-I-17	Rear Suspension Frame Bushing	4
18	PAZ200-1-I-18	M8 Self-Locking Nut	4

8893307

PARTS LIST

V 1.1



Item No.	Part No.	Description	Quantity
1	PAZ200-1-J-1	Steering Wheel	1
2	PAZ200-1-J-2	Steering U-joint	1
3	PAZ200-1-J-3	Rack & Pinion Steering Assembly	1
4	PAZ200-1-J-4	Steering Column	1
5	PAZ200-1-J-5	Left and Right Front Wheel Spindles	2
6	PAZ200-1-J-6	M14 Crown Nut	2
7	PAZ200-1-J-7	Cotter Pin	2
8	PAZ200-1-J-8	Steering Column Tube	1
9	PAZ200-1-J-9	Left and Right Wheel Hub	2
10	PAZ200-1-J-10	Front Disc Brake	2
11	PAZ200-1-J-11	Circlip	1
12	PAZ200-1-J-12	M6x16 Panhead Bolt	3
13	PAZ200-1-J-13	M8x20 Panhead Bolt	8
14	PAZ200-1-J-14	M8 Self-Locking Nut	4
15	PAZ200-1-J-15	M8x65 Bolt	2
16	PAZ200-1-J-16	M8x30 Bolt	2

V 1.1

PARTS LIST

8893307



Item No.	Part No.	Description	Quantity
1	PAZ200-1-K-1	25x10-12 Spare Tire	1
2	PAZ200-1-K-2	Utility Container	1
3	PAZ200-1-K-3	Spare Tire Bracket	1
4	PAZ200-1-K-4	Utility Container Bracket	1
5	PAZ200-1-K-5	Utility Container Strap	1
6	PAZ200-1-K-6	Spare Tire Center Cap	1
7	PAZ200-1-K-7	Spare Tire Mounting Nut	4
8	PAZ200-1-K-8	Utility Container Bracket Plate	2
9	PAZ200-1-K-9	Utility Container Strap Hasp	2

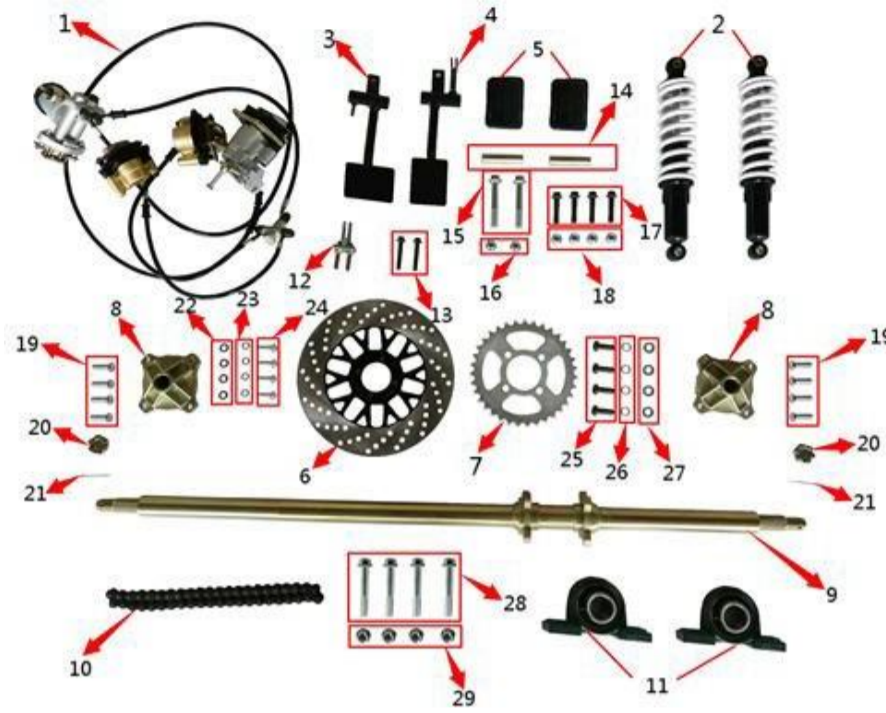


Item No.	Part No.	Description	Quantity
1	PAZ200-1-O-1	25x10-12 Rear Tire	2
2	PAZ200-1-O-2	25x8-12 Front Tire	2
3	PAZ200-1-O-3	Tire Lug Nuts	16
4	PAZ200-1-O-4	Wheel Center Cap	4

8893307

PARTS LIST

V 1.1

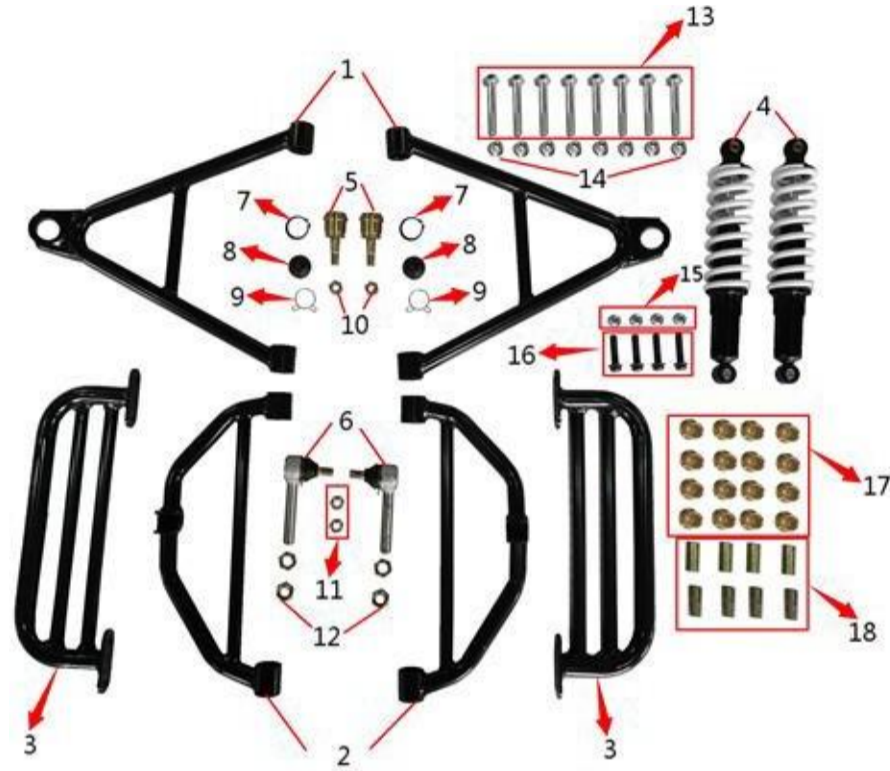


Item No.	Part No.	Description	Quantity
1	PAZ200-1-L-1	Brake Mechanical and Hydraulic System	1
2	PAZ200-1-L-2	Rear Shock Absorber	2
3	PAZ200-1-L-3	Brake Pedal	1
4	PAZ200-1-L-4	Accelerator Pedal	1
5	PAZ200-1-L-5	Pedal Rubber Cover	2
6	PAZ200-1-L-6	Rear Brake Disc	1
7	PAZ200-1-L-7	Large Sprocket	1
8	PAZ200-1-L-8	Rear Axle Flange	1
9	PAZ200-1-L-9	Rear Axle	1
10	PAZ200-1-L-10	Chain	1
11	PAZ200-1-L-11	Rear Axle Bearing Hubs	2
12	PAZ200-1-L-12	Brake Adjustment Stop	1
13	PAZ200-1-L-13	M8x60 Bolt	2
14	PAZ200-1-L-14	72x16x10.5 Inner Sleeve	2
15	PAZ200-1-L-15	M10x113 Bolt	2
16	PAZ200-1-L-16	M10 Self-Locking Nut	2
17	PAZ200-1-L-17	M10x45 Bolt	4
18	PAZ200-1-L-18	M10 Self-Locking Nut	4
19	PAZ200-1-L-19	M10x30 Bolt	8
20	PAZ200-1-L-20	M20 Crown Nut	2
21	PAZ200-1-L-21	Cotter Pin	2
22	PAZ200-1-L-22	M8 Flatwasher	4
23	PAZ200-1-L-23	M8 Lockwasher	4
24	PAZ200-1-L-24	M8x20 Bolt	4
25	PAZ200-1-L-25	M10 Bolt w/ Magnets	4
26	PAZ200-1-L-26	M10 Lockwasher	4
27	PAZ200-1-L-27	M10 Flatwasher	4
28	PAZ200-1-L-28	M12x80 Bolt	4
29	PAZ200-1-L-29	M10 Self-Locking Nut	4

V 1.1

PARTS LIST

8893307



Item No.	Part No.	Description	Quantity
1	PAZ200-1-M-1	Lower A-Frame	2
2	PAZ200-1-M-2	Upper A-Frame	2
3	PAZ200-1-M-3	Left and Right Foot Step	2
4	PAZ200-1-M-4	Front Shock Absorber	2
5	PAZ200-1-M-5	Ball Joint	2
6	PAZ200-1-M-6	Tie-Rod End	2
7	PAZ200-1-M-7	Circlip	2
8	PAZ200-1-M-8	Dust Cover	2
9	PAZ200-1-M-9	Snapring	2
10	PAZ200-1-M-10	M12 Crown Nut	2
11	PAZ200-1-M-11	M12 Crown Nut	2
12	PAZ200-1-M-12	M16 Locknut	4
13	PAZ200-1-M-13	M12 x 70 Bolt	8
14	PAZ200-1-M-14	M12 Self-Locking Nut	8
15	PAZ200-1-M-15	M10 Self-Locking Nut	4
16	PAZ200-1-M-16	M10x45 Bolt	4
17	PAZ200-1-M-17	Brass Bushing Set	16
18	PAZ200-1-M-18	40x18x12.5 Inner Sleeve	8

8893307

PARTS LIST

V 1.1

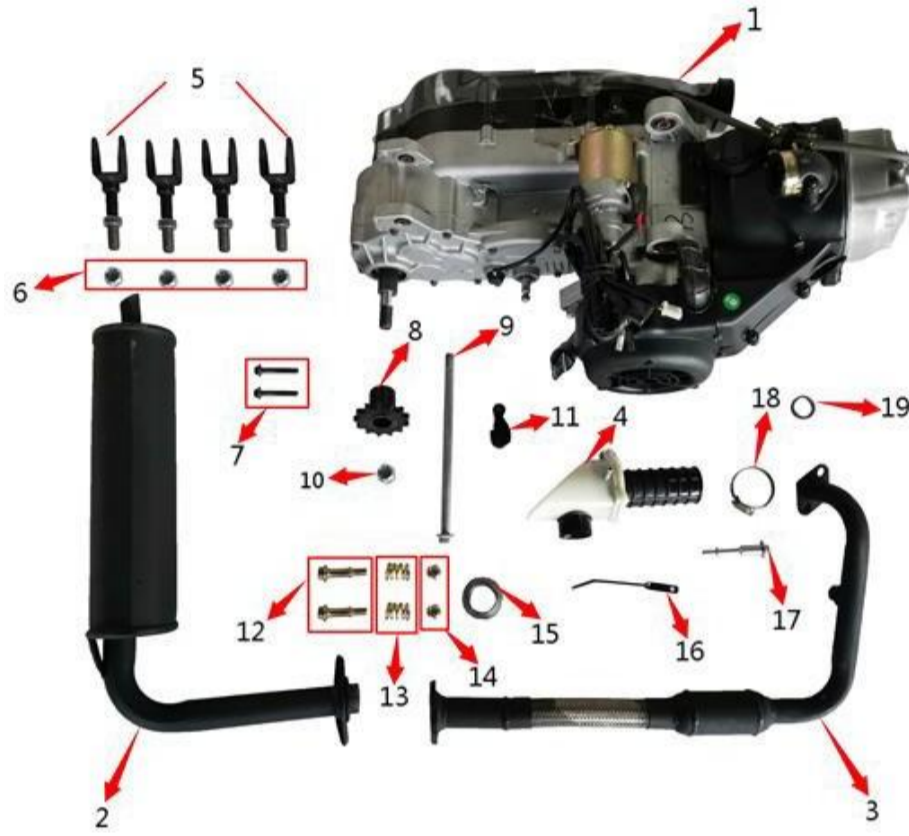


Item No.	Part No.	Description	Quantity
1	PAZ200-1-N-1	ECU Connecting line	1
2	PAZ200-1-N-2	Ignition coil	1
3	PAZ200-1-N-3	Oxygen Sensor	1
4	PAZ200-1-N-4	Fuel Injector	1
5	PAZ200-1-N-5	Fuel Pump	1
6	PAZ200-1-N-6	Rectifier	1
7	PAZ200-1-N-7	Throttle Cable	1
8	PAZ200-1-N-8	Fuel Tube	1
9	PAZ200-1-N-9	ECU	1
10	PAZ200-1-N-10	Temperature Sensor	1
11	PAZ200-1-N-11	M6x30 Bolt	6
12	PAZ200-1-N-12	Fuel Tube Circlip	2
13	PAZ200-1-N-13	Quick Coupling 1	1
14	PAZ200-1-N-14	Quick Coupling 2	1
15	PAZ200-1-N-15	CDI	1

V 1.1

PARTS LIST

8893307



Item No.	Part No.	Description	Quantity
1	PAZ200-1-P-1	Engine	1
2	PAZ200-1-P-2	Rear Muffler Section	1
3	PAZ200-1-P-3	Front Muffler Section	1
4	PAZ200-1-P-4	Air Filter	1
5	PAZ200-1-P-5	Engine Mounting Bracket	4
6	PAZ200-1-P-6	M16 Locknut	4
7	PAZ200-1-P-7	M8x50 Bolt	2
8	PAZ200-1-P-8	Engine Sprocket	1
9	PAZ200-1-P-9	M10x190 Bolt	1
10	PAZ200-1-P-10	M16 Locknut	1
11	PAZ200-1-P-11	Shifter Spline	1
12	PAZ200-1-P-12	M10x65 Step Bolt	2
13	PAZ200-1-P-13	Spring	2
14	PAZ200-1-P-14	M10 Locknut	2
15	PAZ200-1-P-15	Rubber Grommet	1
16	PAZ200-1-P-16	Air Filter Bracket	1
17	PAZ200-1-P-17	Temperature Sensor Bolt	1
18	PAZ200-1-P-18	Air Filter Hose Ring	1
19	PAZ200-1-P-19	Muffler Sealing Material	1

8893307

PARTS LIST

V 1.1



Item No.	Part No.	Description	Quantity
1	PAZ200-1-Q-1	Fuel Tank	1
2	PAZ200-1-Q-2	Shifter Assembly	1
3	PAZ200-1-Q-3	Handbrake Cable	1
4	PAZ200-1-Q-4	Handbrake	1
5	PAZ200-1-Q-5	Shifter Mounting Bracket	1
6	PAZ200-1-Q-6	Shifter Cable Mounting Bracket	1
7	PAZ200-1-Q-7	Fuel Level Sensor	1
8	PAZ200-1-Q-8	Fuel Level Sensor Retainer	1
9	PAZ200-1-Q-9	Fuel Level Sensor Seal	1
10	PAZ200-1-Q-10	Check Valve	1
11	PAZ200-1-Q-11	Fuel Tank Cap	1
12	PAZ200-1-Q-12	Brake and Accelerator Springs	2
13	PAZ200-1-Q-13	Hood Hinge	2
14	PAZ200-1-Q-14	Hood Lock Hook	2
15	PAZ200-1-Q-15	Hood Lock Hasp	2