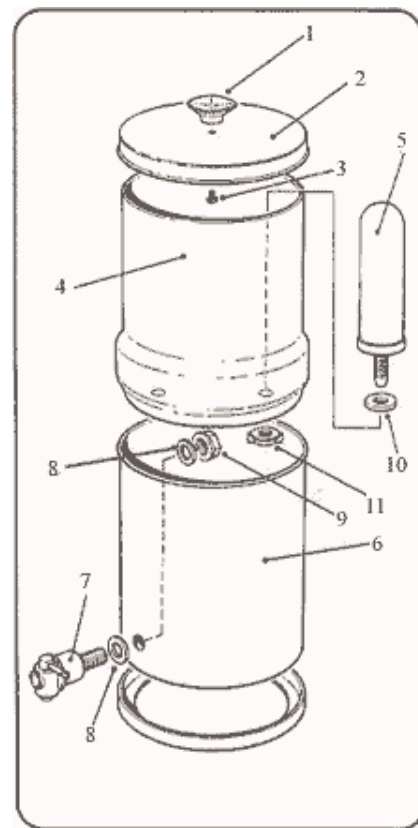


British Berkefeld Stainless Steel System w/ Black Berkey™ Filters

1. Cleanliness is important. Wash hands before handling the purification elements. Assure the Black Berkey purification elements do not come in contact with any contamination during assembly. Rinse the stainless steel system with hot water and dry.
2. Locate the plastic bag containing the knob, tap, washers and nuts. Fit the knob (1) onto the lid (2). Remove the screw (3) from the end of the knob and insert through the hole in the lid, hand tighten the screw into the knob.
3. Remove the Black Berkey purification elements from the box, and then follow the instructions found inside the box before continuing assembly. **IMPORTANT- FOLLOW THE INSTRUCTIONS ON THE BACK OF THE SHEET FOR PRIMING THE FILTERS BEFORE YOU INSTALL THEM.**
4. Install the Berkey Purification Elements. Place the purification element (5) into the hole in the base of the upper chamber (4). **NOTE- Use caution when installing or removing elements as rough contact of the edges of the stainless steel holes in the upper chamber can damage the black thread of the purification elements.**
5. Secure the purification element in the chamber base by screwing the wing nut (11) onto the threaded mount. **ONLY HAND TIGHTEN THE NUT TO AVOID DAMAGE TO THE BLACK THREAD.** Repeat steps #5 and #6 to fit the other element.
6. Fit the tap. Place one small washer (8) onto the threaded part of the tap (7). Insert the thread of the tap through the hole of the lower chamber (6). Place the second washer (8) over the thread within the chamber and secure in place with the nut (9). Tighten securely by hand only. Please note if you have purchased a stainless steel tap or other tap it will be fitted in the same way as described above.
7. Put the upper chamber (4) onto the lower chamber (6) and place lid (2) on the top of the upper chamber (4).



For Operation-

- * Ensure the tap is in the “off” position.
- * Fill the top chamber with water.

The first supply of water should be discarded as it may contain water which has not been filtered from priming the new purification elements.

This system has been supplied with 2x 11,000 litre, providing 22000 litres of filtered water before replacement. Based on 5-6 litres a day replacement would be needed every 11 years. If you find your demand for water higher than what two filters are supplying you can add one or two more filters by removing the rubber grommets in the upper chamber.

IMPORTANT NOTE- Check level of water in the bottom chamber before refilling the upper chamber. Otherwise the water will overflow between the top and bottom chambers.

Maintenance-

As the elements filter out particulate from the water, the flow will gradually reduce over time. When this occurs you will need to scrub the outer surface of the purification elements with a green scotchbrite pad or brush under running water. If you are using tank or alternative water supply you may need to clean them regularly depending on the quality of the water supply. **NEVER USE SOAP OR DETERGENTS OF ANY KIND**



If you have ordered the Berkefeld System with Berkey PF-2™ Fluoride Reduction Elements
Under normal conditions each set of Berkey PF-2 elements will last 3785 litres (or about 2 years based on 5 litres a day). Follow the above instructions steps 1-8. Then follow the instructions provided with the PF-2 elements, taking care to flush them thoroughly. Install them on the bottom of the upper chamber (4). They will attach to the black thread of the filter elements, underneath the tightened nut. Attach the PF-2 elements with only 2-3 turns as too tight will cause them to work slowly or not at all. **MAKE SURE WHEN RE-ORDERING TO PURCHASE BERKEY PF-2 AS THEY HAVE THE CORRECT THREADING TO FIT THE BLACK BERKEY PURIFICATION FILTERS.**

USE EXTREME CAUTION WHEN CLEANING OR CHANGING FILTERS WHEN THE PF-2'S ARE ATTACHED AS IT CAN BREAK THE BLACK THREAD ON YOUR CERAMIC FILTERS. LIFT THE TOP CHAMBER WITH CARE AND REMOVE THE PF-2'S BEFORE CLEANING THE CERAMIC FILTERS.



PF-2 elements can be added to reduce Fluoride, Heavy Metals and Pesticides.

www.durand.com.au