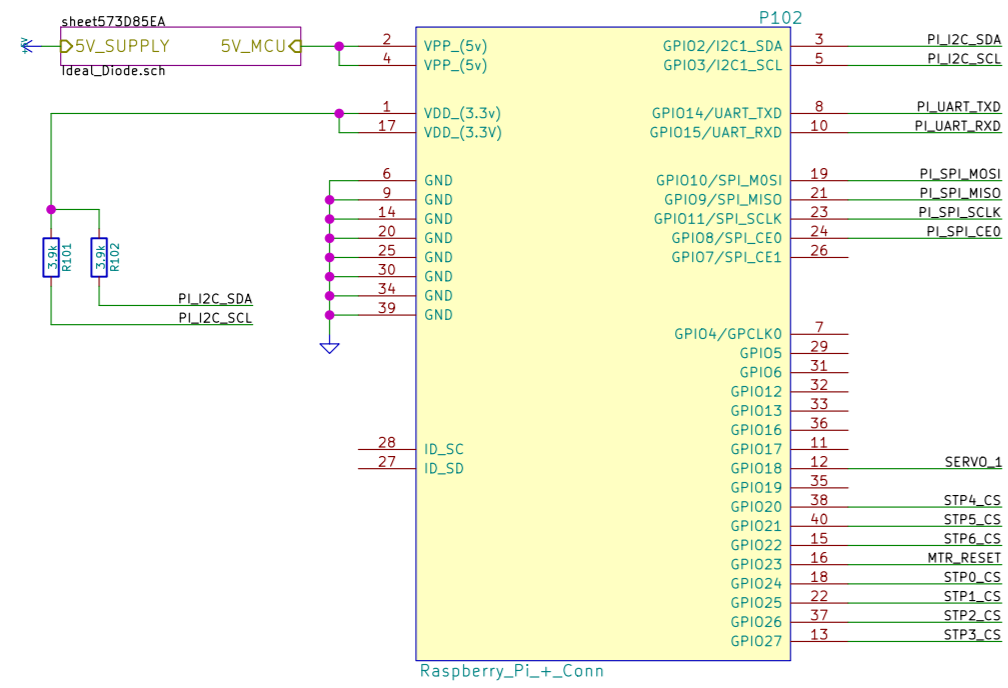
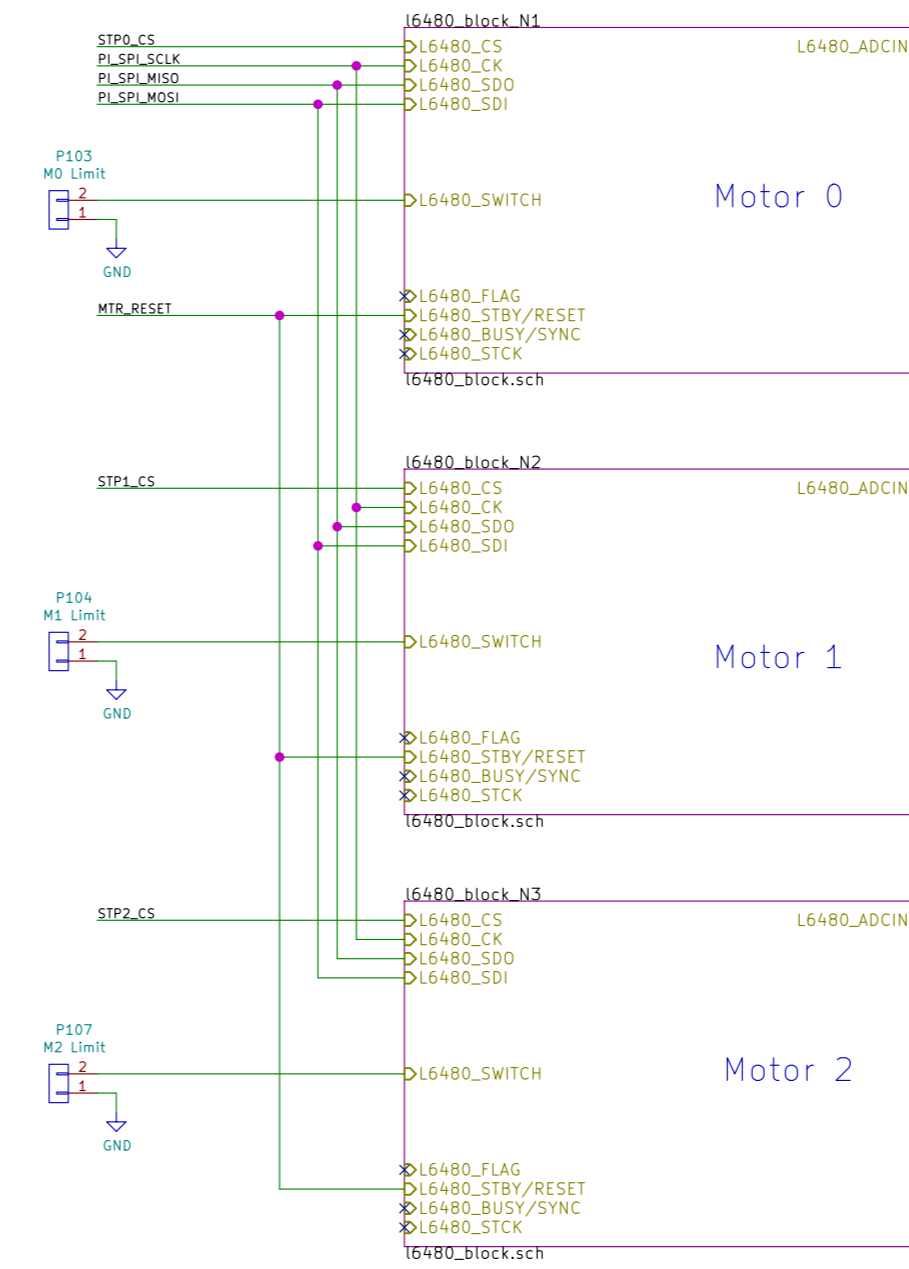


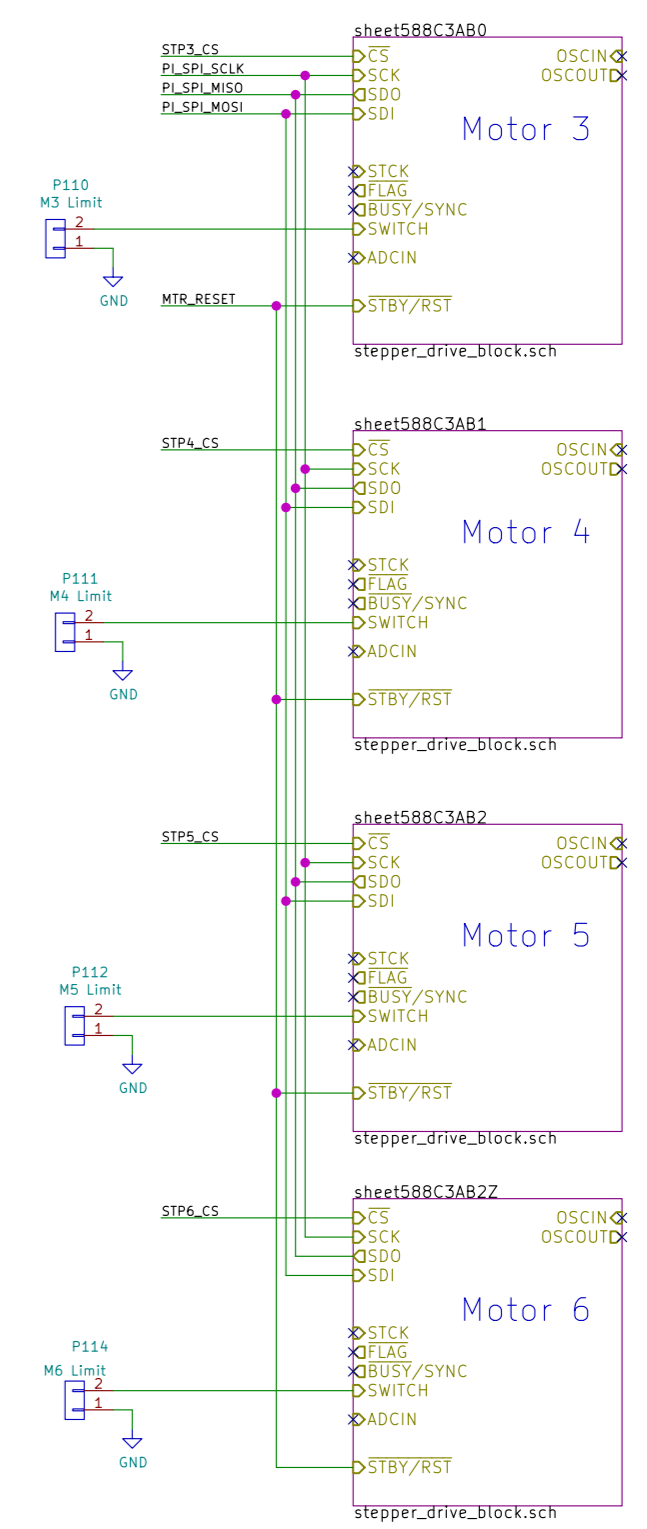
Raspberry Pi Connection



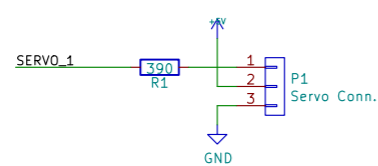
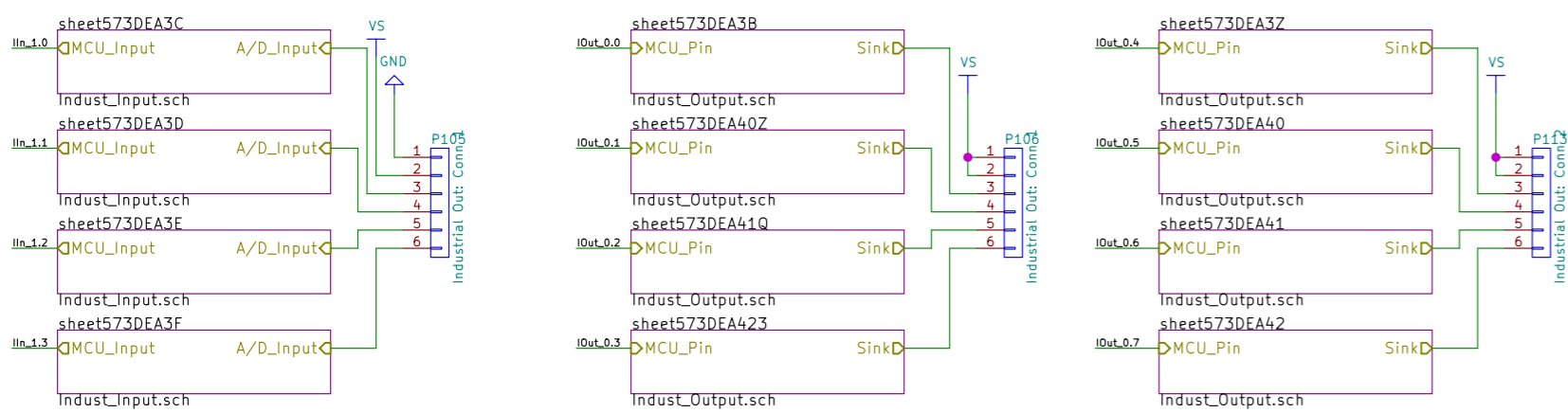
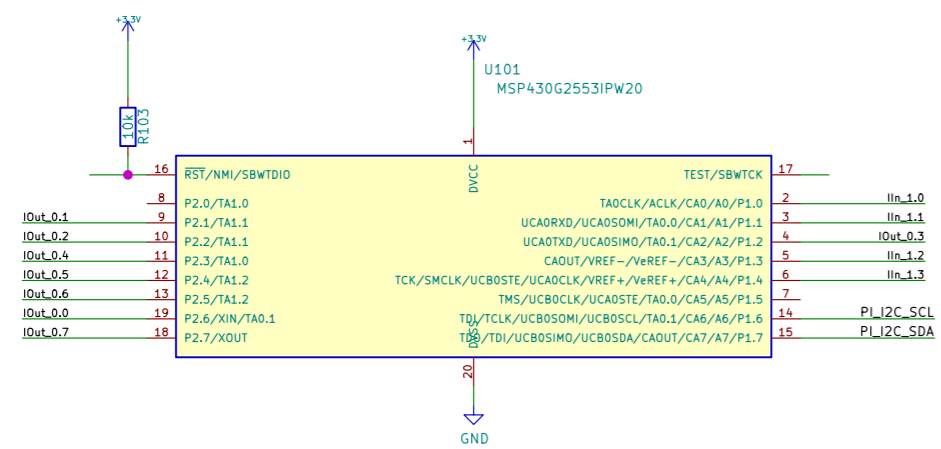
High Power Stepper Motor Drives



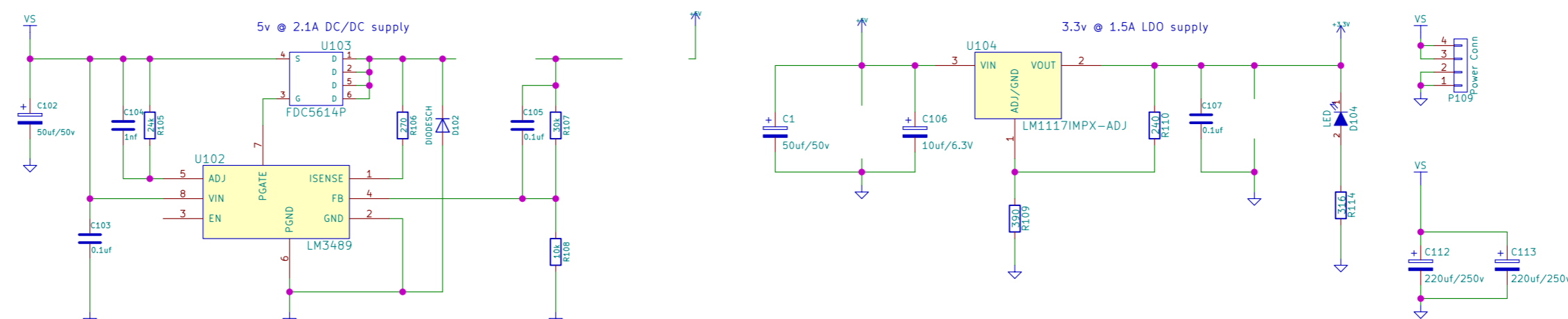
Low Power Stepper Motor Drives



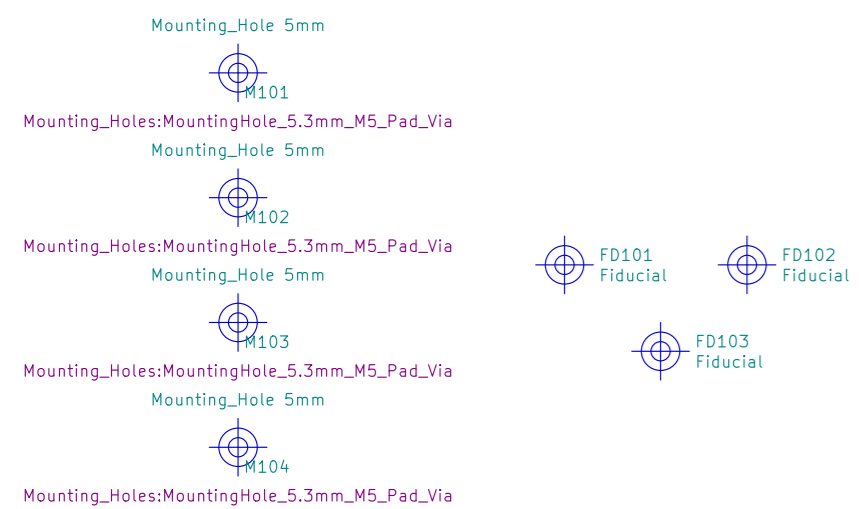
I/O Expansion & External Interface



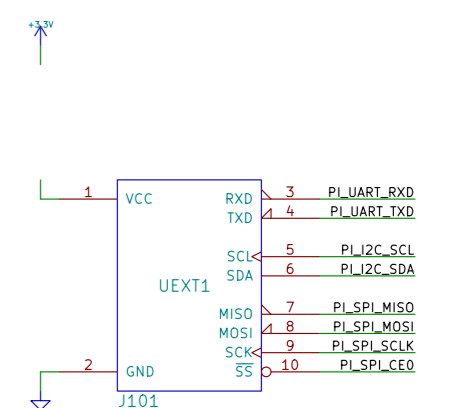
Power Management Module

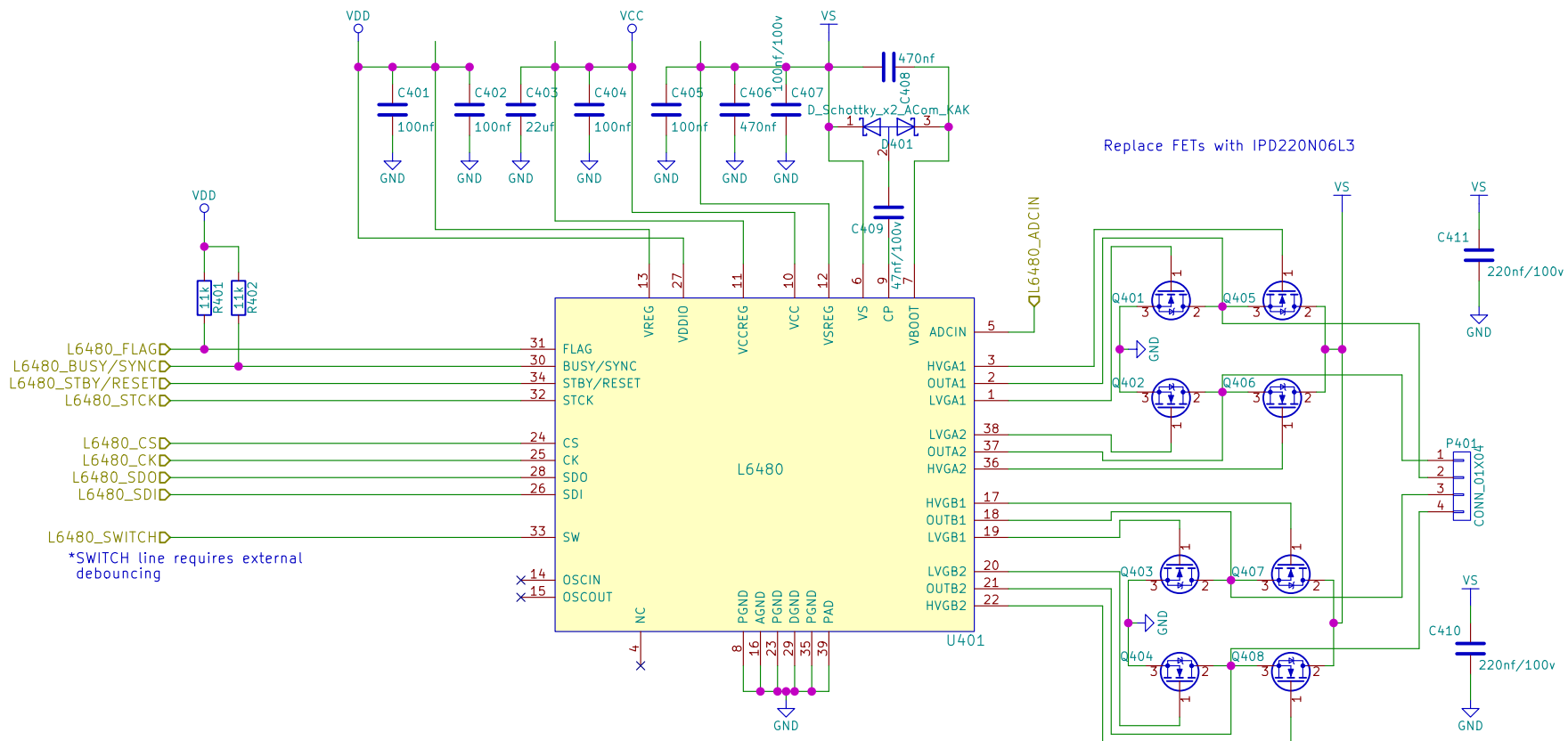


Mechanical



UEXT Connector





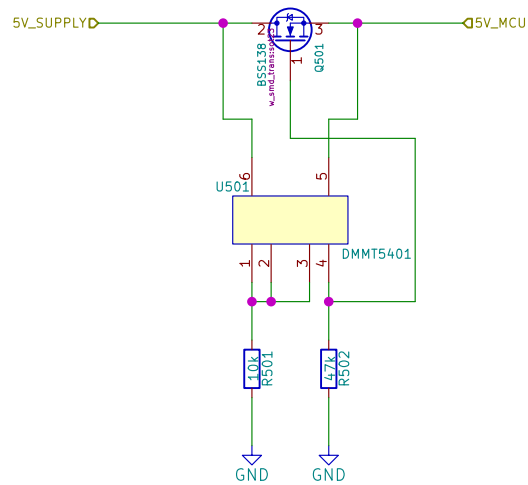
Sheet: /l6480_block_N3/
 File: l6480_block.sch

Title:

Size: A4 Date:
 KiCad E.D.A. kicad no-vcs-found-feba09158ubuntu16.04.1

Rev:
 Id: 4/21

*Recommended back powering protection for raspberry pi. Recommended by Raspberry Pi Foundation
<https://github.com/raspberrypi/hats/blob/master/designguide.md>



Sheet: /sheet573D85EA/
File: Ideal_Diode.sch

Title:

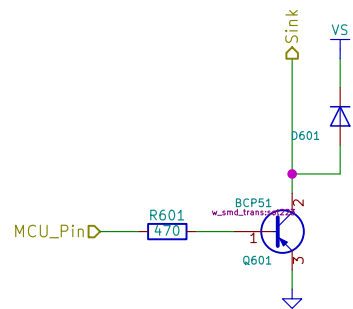
Size: A4

Date:

Rev:

KiCad E.D.A. kicad no-vcs-found-feba09158ubuntu16.04.1

Id: 5/21



Sheet: /sheet573DEA3B/
File: Indust_Output.sch

Title:

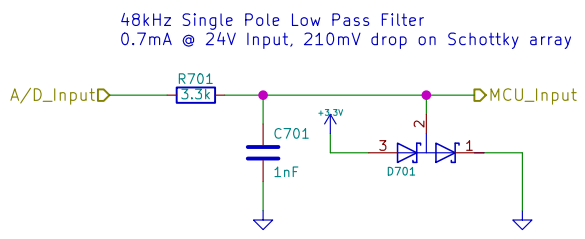
Size: A4

Date:

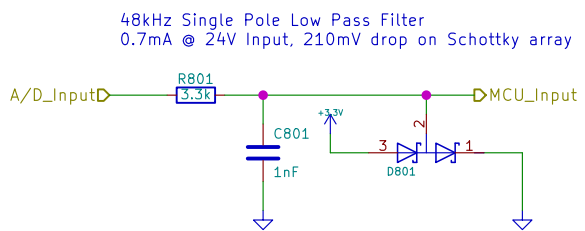
Rev:

KiCad E.D.A. kicad no-vcs-found-feba09158ubuntu16.04.1

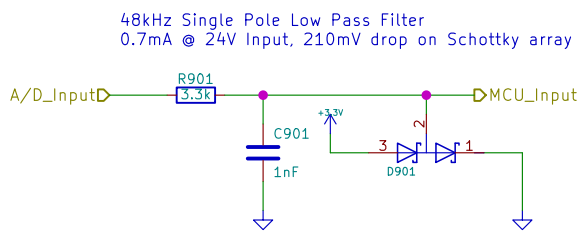
Id: 6/21



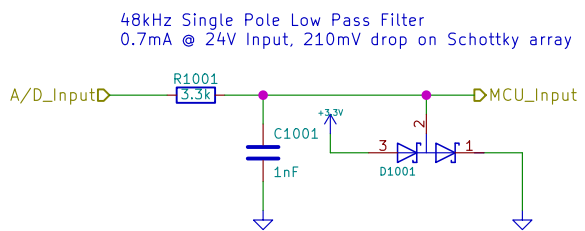
Sheet: /sheet573DEA3C/		
File: Indust_Input.sch		
Title:		
Size: A4	Date:	Rev:
KiCad E.D.A. kicad no-vcs-found-feba09158ubuntu16.04.1		Id: 7/21



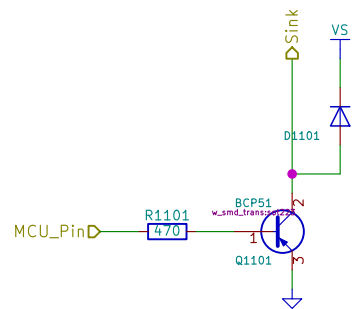
Sheet: /sheet573DEA3D/		
File: Indust_Input.sch		
Title:		
Size: A4	Date:	Rev:
KiCad E.D.A. kicad no-vcs-found-feba09158ubuntu16.04.1		Id: 8/21



Sheet: /sheet573DEA3E/		
File: Indust_Input.sch		
Title:		
Size: A4	Date:	Rev:
KiCad E.D.A. kicad no-vcs-found-feba09158ubuntu16.04.1		Id: 9/21



Sheet: /sheet573DEA3F/		
File: Indust_Input.sch		
Title:		
Size: A4	Date:	Rev:
KiCad E.D.A. kicad no-vcs-found-feba09158ubuntu16.04.1		Id: 10/21



Sheet: /sheet573DEA40Z/
 File: Indust_Output.sch

Title:

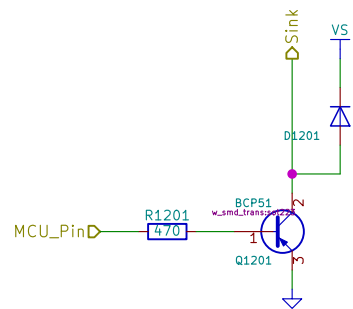
Size: A4

Date:

Rev:

KiCad E.D.A. kicad no-vcs-found-feba09158ubuntu16.04.1

Id: 11/21



Sheet: /sheet573DEA41Q/
 File: Indust_Output.sch

Title:

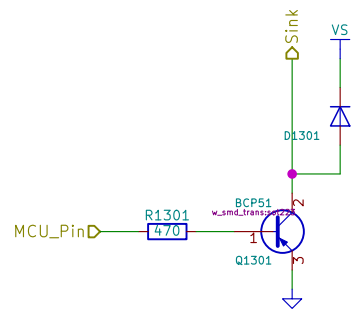
Size: A4

Date:

Rev:

KiCad E.D.A. kicad no-vcs-found-feba09158ubuntu16.04.1

Id: 12/21



Sheet: /sheet573DEA423/
 File: Indust_Output.sch

Title:

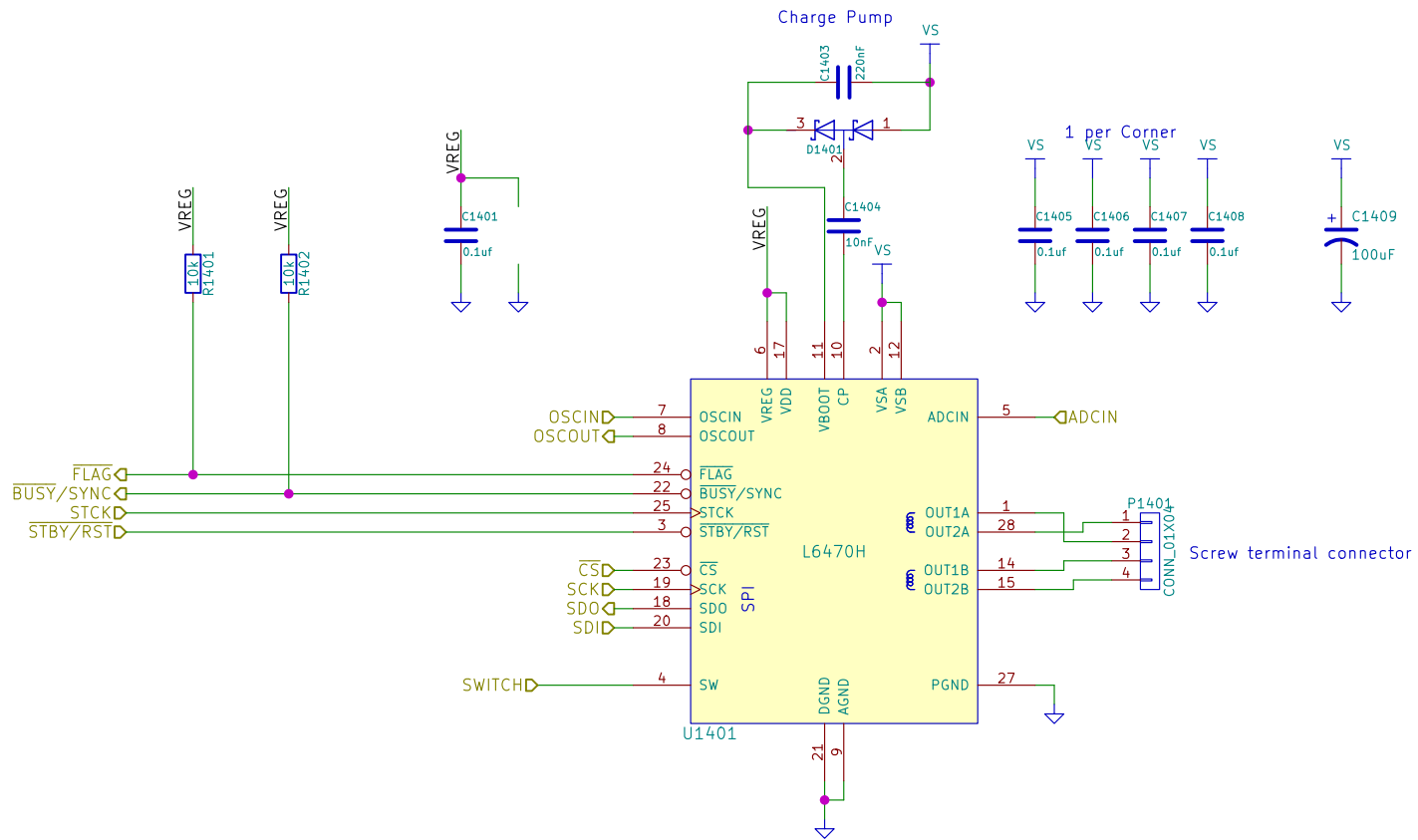
Size: A4

Date:

Rev:

KiCad E.D.A. kicad no-vcs-found-feba09158ubuntu16.04.1

Id: 13/21

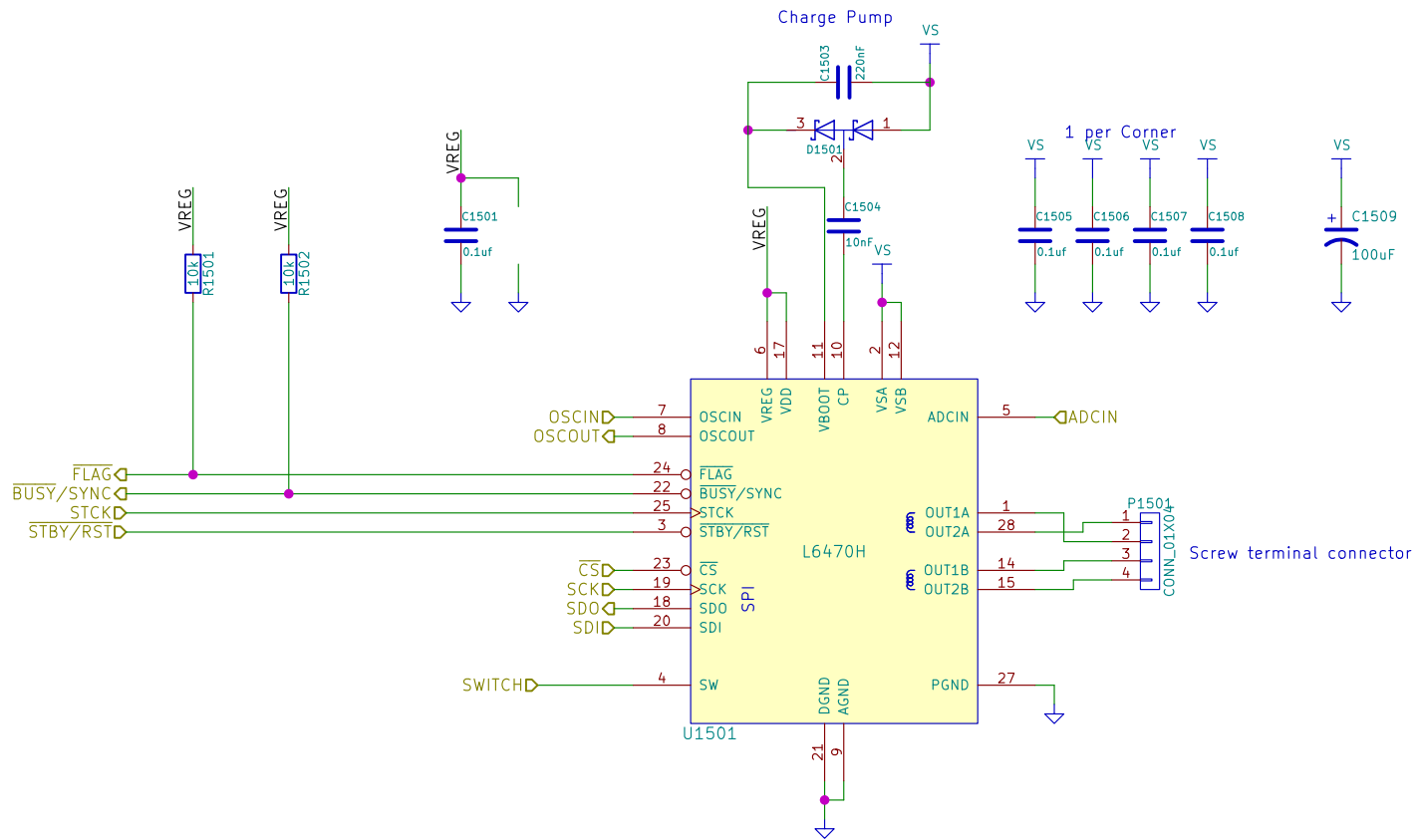


Sheet: /sheet588C3AB0/
 File: stepper_drive_block.sch

Title:

Size: A4 Date:
 KiCad E.D.A. kicad no-vcs-found-feba09158ubuntu16.04.1

Rev:
 Id: 14/21

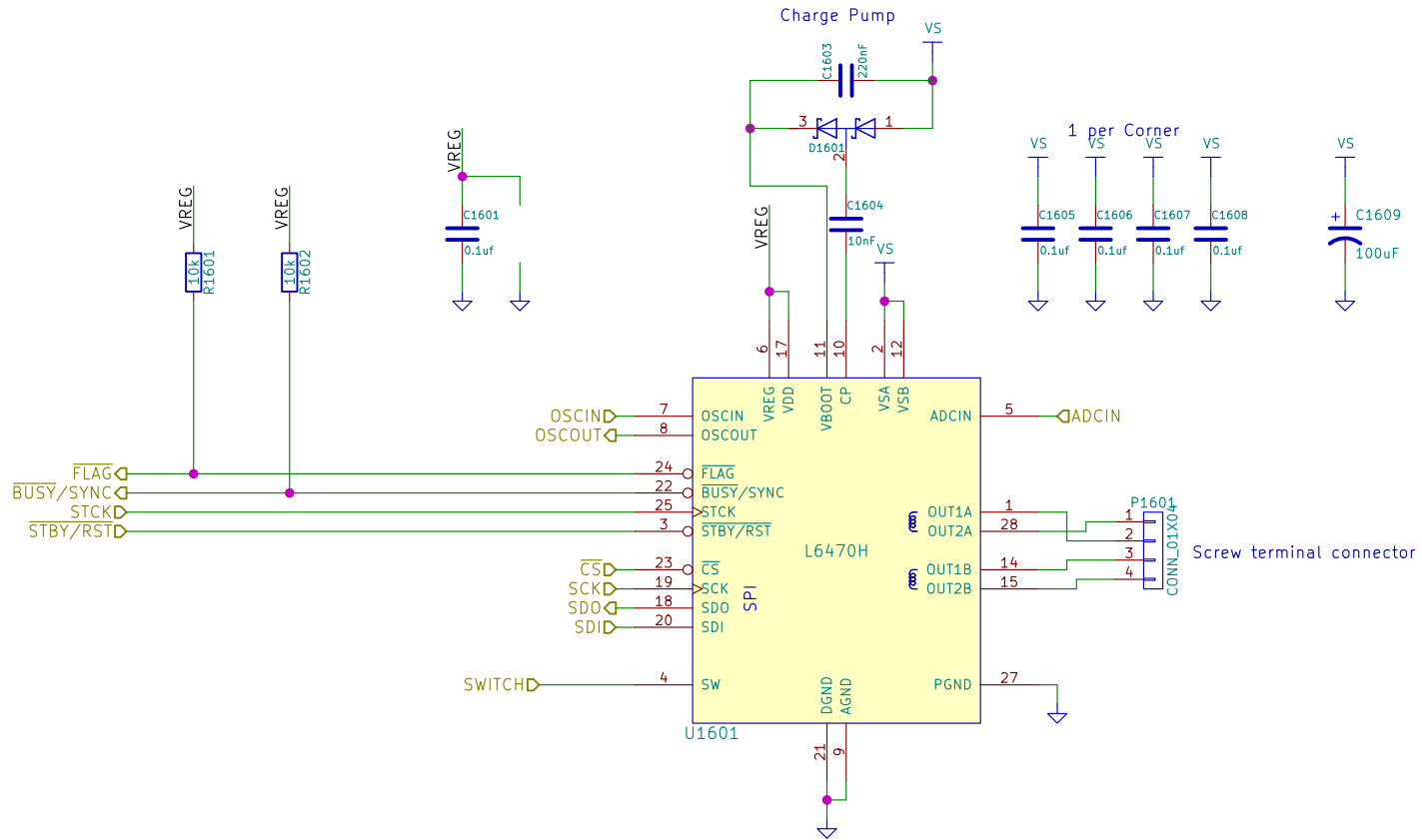


Sheet: /sheet588C3AB1/
 File: stepper_drive_block.sch

Title:

Size: A4 Date: KiCad E.D.A. kicad no-vcs-found-feba09158ubuntu16.04.1

Rev: Id: 15/21

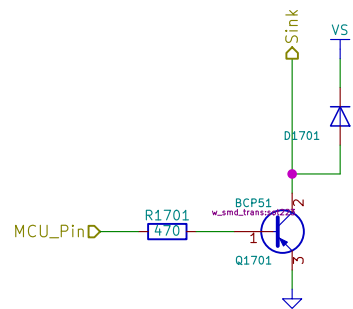


Sheet: /sheet588C3AB2/
 File: stepper_drive_block.sch

Title:

Size: A4 Date:
 KiCad E.D.A. kicad no-vcs-found-feba09158ubuntu16.04.1

Rev:
 Id: 16/21



Sheet: /sheet573DEA3Z/
File: Indust_Output.sch

Title:

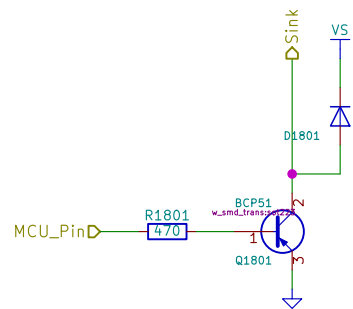
Size: A4

Date:

KiCad E.D.A. kicad no-vcs-found-feba09158ubuntu16.04.1

Rev:

Id: 17/21



Sheet: /sheet573DEA40/
 File: Indust_Output.sch

Title:

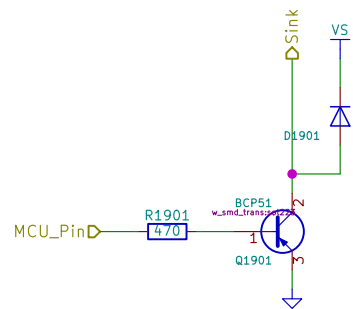
Size: A4

Date:

Rev:

KiCad E.D.A. kicad no-vcs-found-feba09158ubuntu16.04.1

Id: 18/21



Sheet: /sheet573DEA41/
 File: Indust_Output.sch

Title:

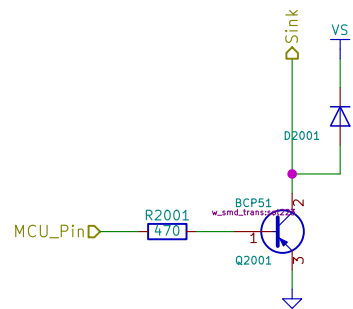
Size: A4

Date:

Rev:

KiCad E.D.A. kicad no-vcs-found-feba09158ubuntu16.04.1

Id: 19/21



Sheet: /sheet573DEA42/
 File: Indust_Output.sch

Title:

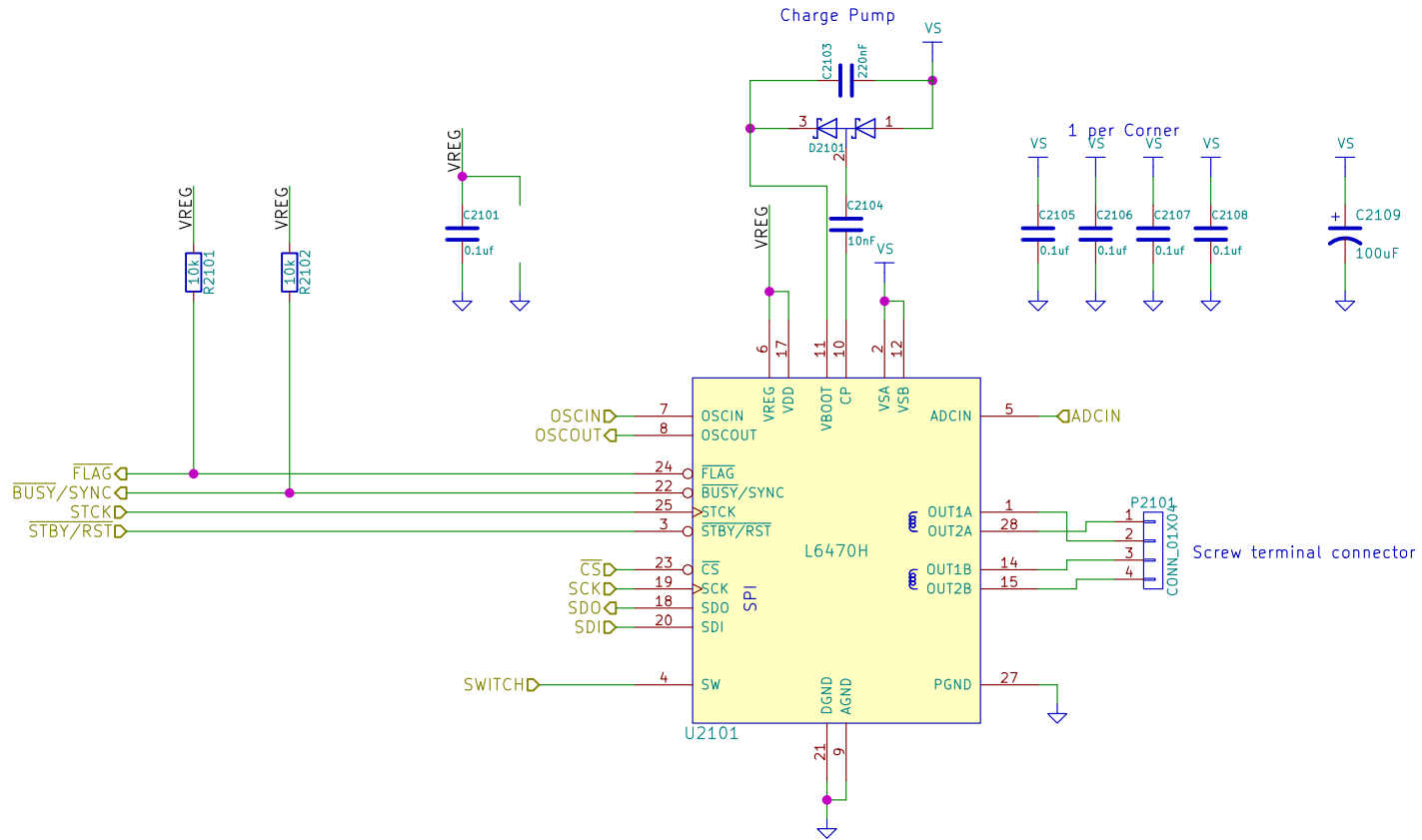
Size: A4

Date:

Rev:

KiCad E.D.A. kicad no-vcs-found-feba09158ubuntu16.04.1

Id: 20/21



Sheet: /sheet588C3AB2Z/
 File: stepper_drive_block.sch

Title:

Size: A4 Date:
 KiCad E.D.A. kicad no-vcs-found-feba09158ubuntu16.04.1

Rev:
 Id: 21/21