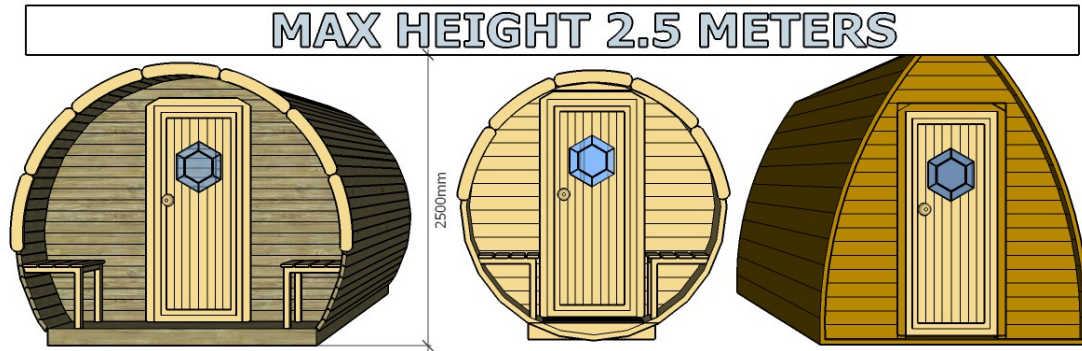


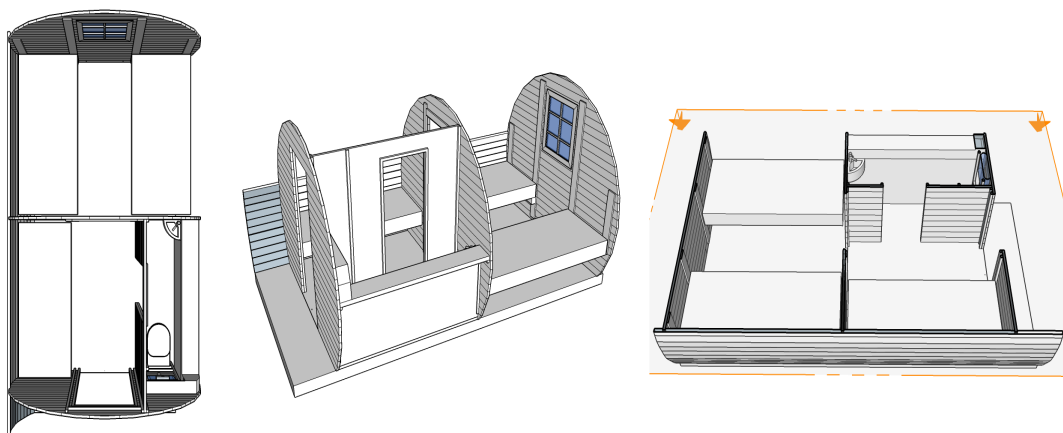
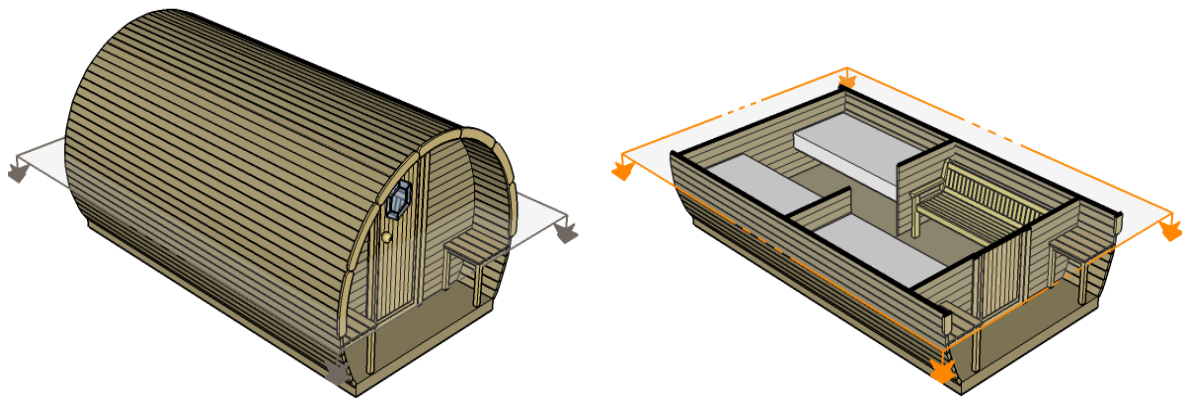
Why new style Sleeping Barrel.

Sleeping Barrel Flat Floor

- Within maximum limit of height, who is 2.50 meters.



- Bigger internal and floor space, but still under maximum limit of m2.



- Various option of use and interior.
- Easy installation, solid foundation, competitive price.