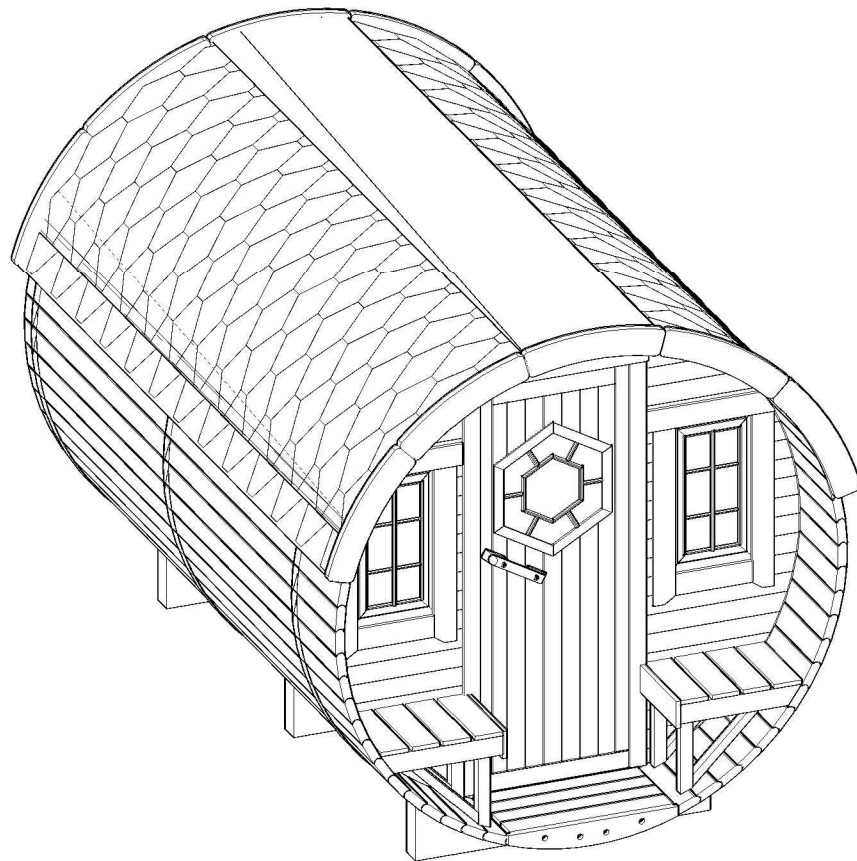




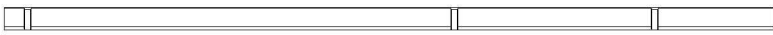





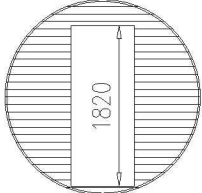
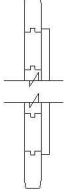
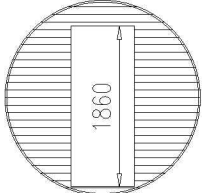
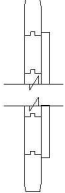
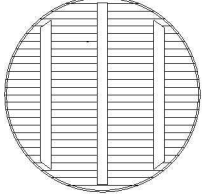
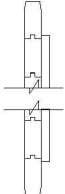
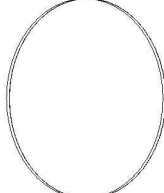

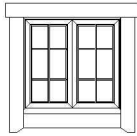







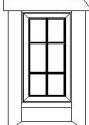

















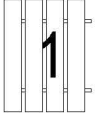

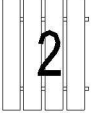

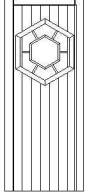













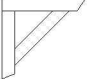







Sleeping barrel 3.30 x ø2.2













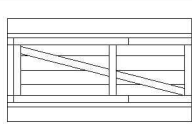





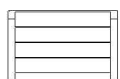











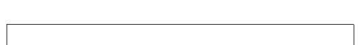







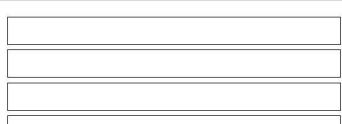

1. SLEEPING BARREL- 3.30M. X Ø2.2

No.	Detail		Pcs	
1			3	
2			1	
3			29 - 40	
4			29 - 40	
5			1	
6			1	
7			1	
8			1	
9			3	
10			1	
10.1			1	
10.2			2	
10.3			1	
11			2	
11.1			4	
11.2			2	

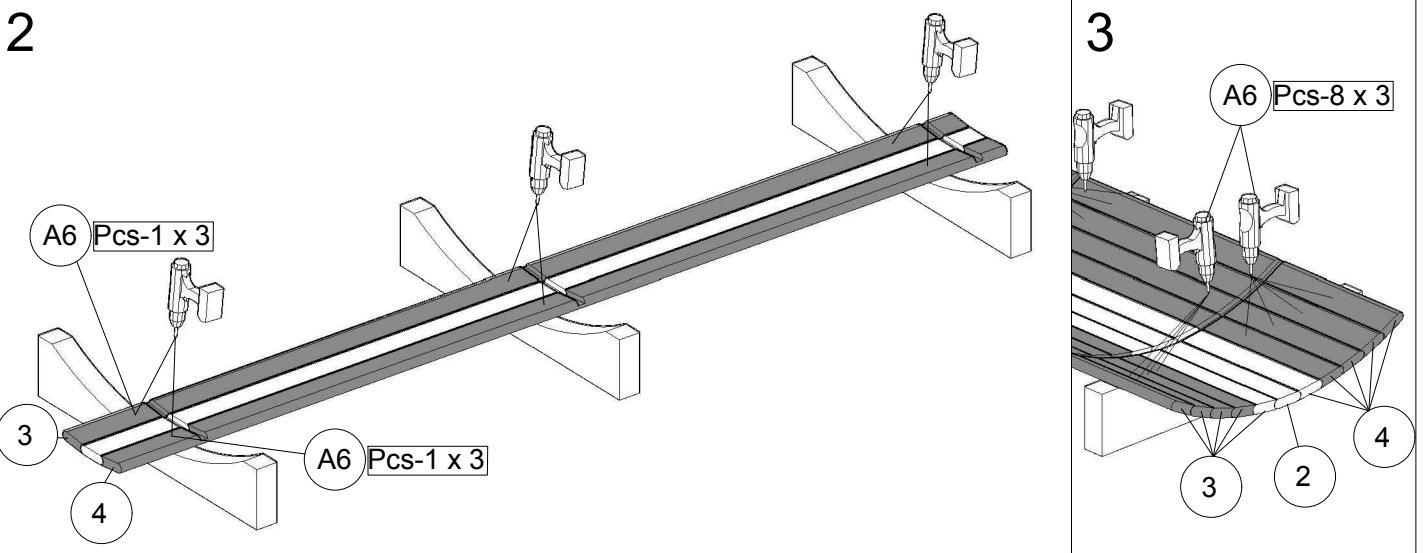
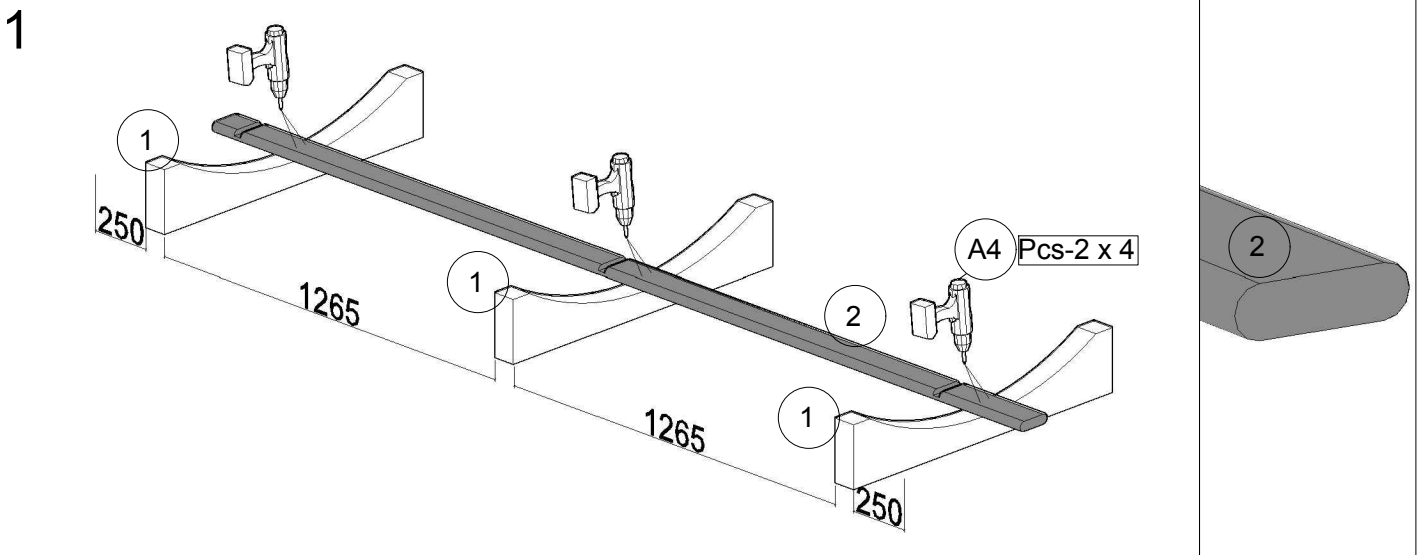
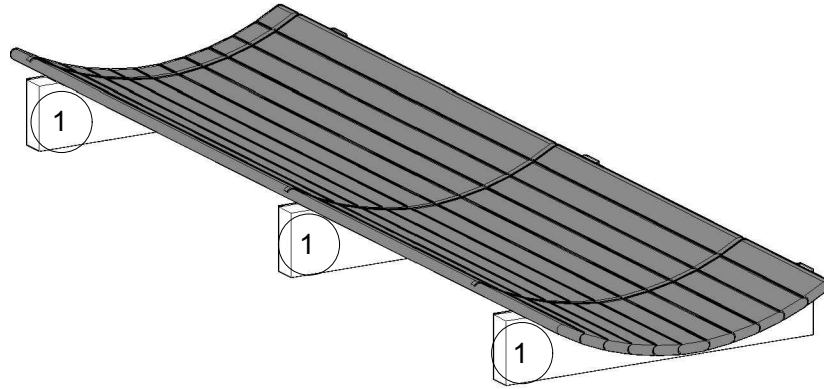
2. SLEEPING BARREL- 3.30m. x ϕ 2.2

No.	Detail		Pcs	
11.3			2	
12			2	
12.1			2	
13			1	
14			1	
15			1	
15.1			1	
16			1	
17			1	
17.1			2	
17.2			1	
17.3			1	
17.4			2	
18			2	
19			4	
20			8	
21			2	
22			2	

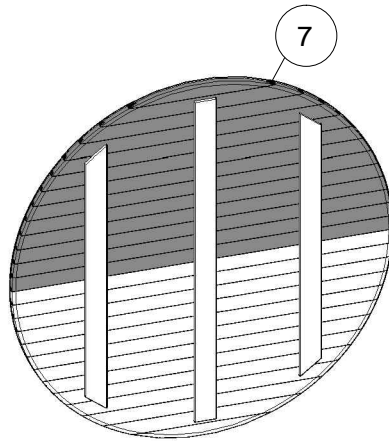
3. SLEEPING BARREL- 3.30m. x ø2.2

No.	Detail		Pcs	
23			10	
24			2	
25			2	
26			2	
26.1			4	
26.2			1	
27			16	
28			6	
29			1	
30			1	
31			1	
32			1	
33			2	
34			2	
35			8	
35.1			2	
36			2	
37			2	
38			2	

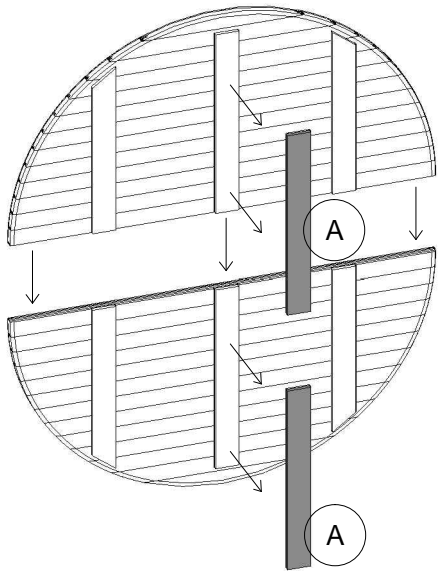
1. Sleeping barrel 3.30m. x Ø2.2



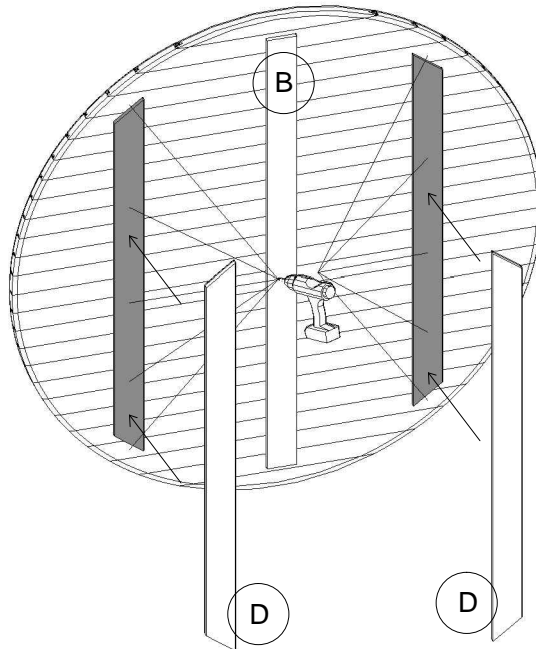
2. Sauna barrel 3.30m x Ø2.2



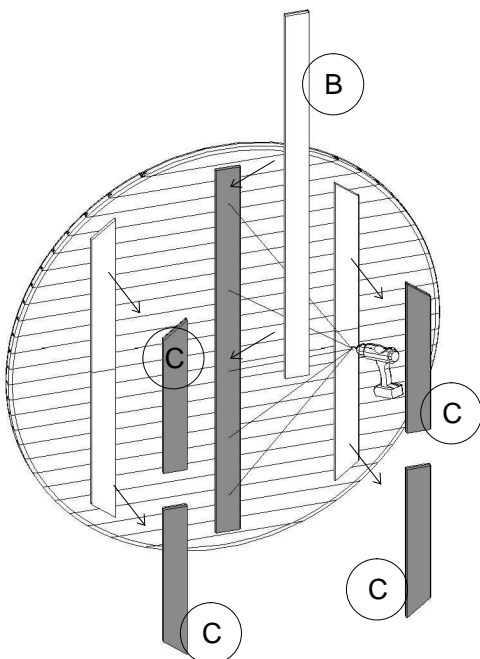
1



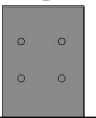
3



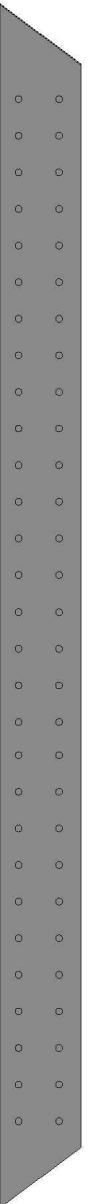
2



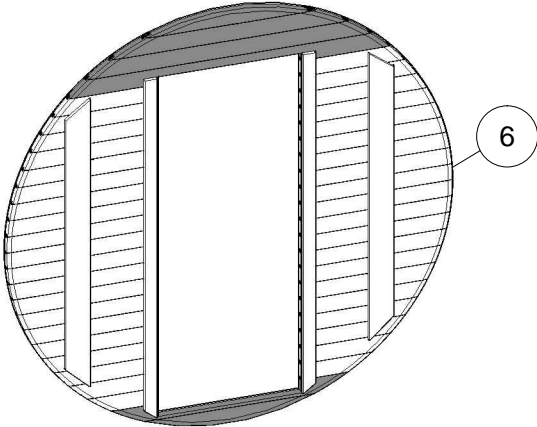
B



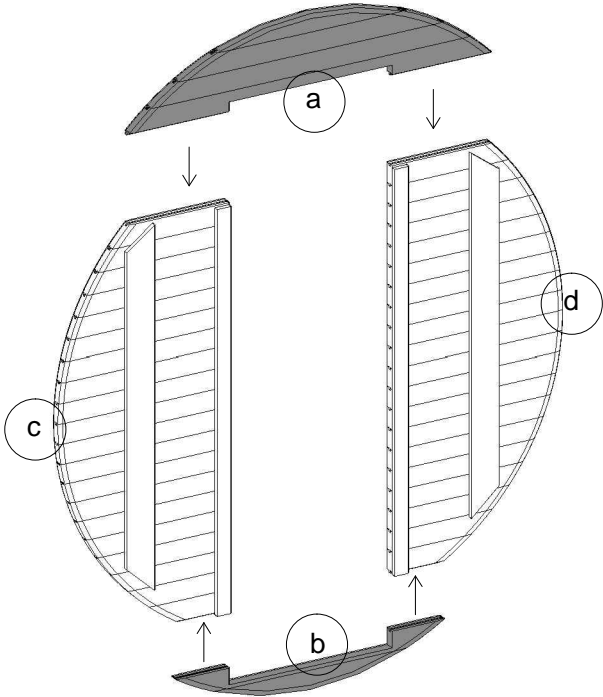
D



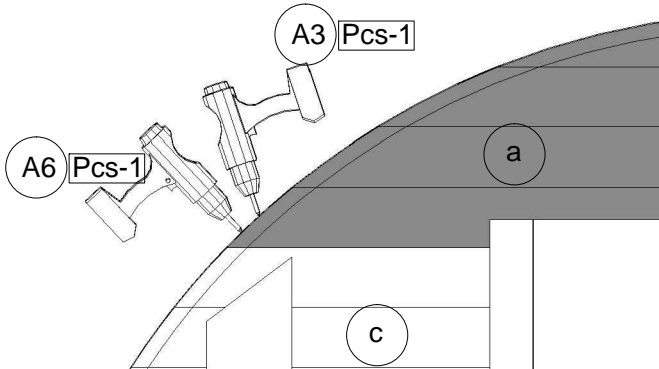
3. Sauna barrel 3.30m x Ø2.2



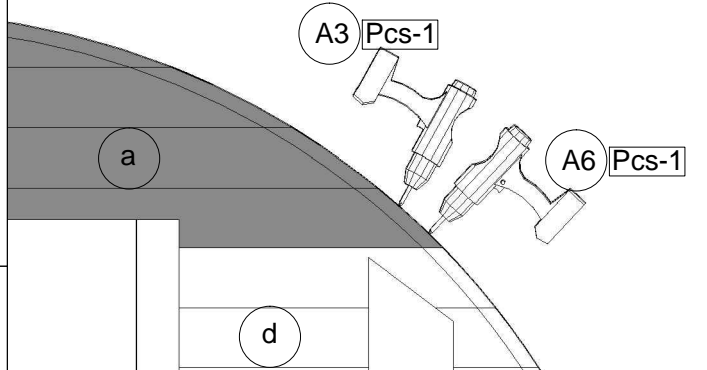
1



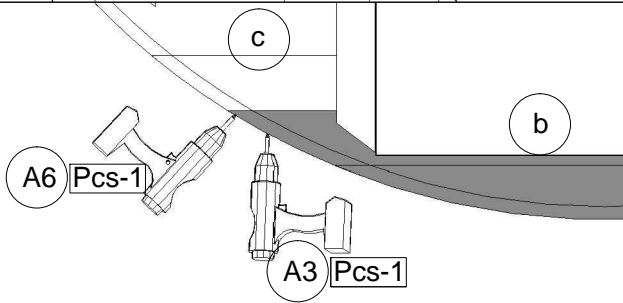
3



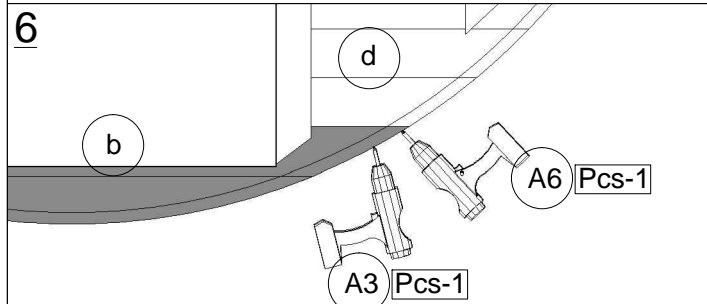
4



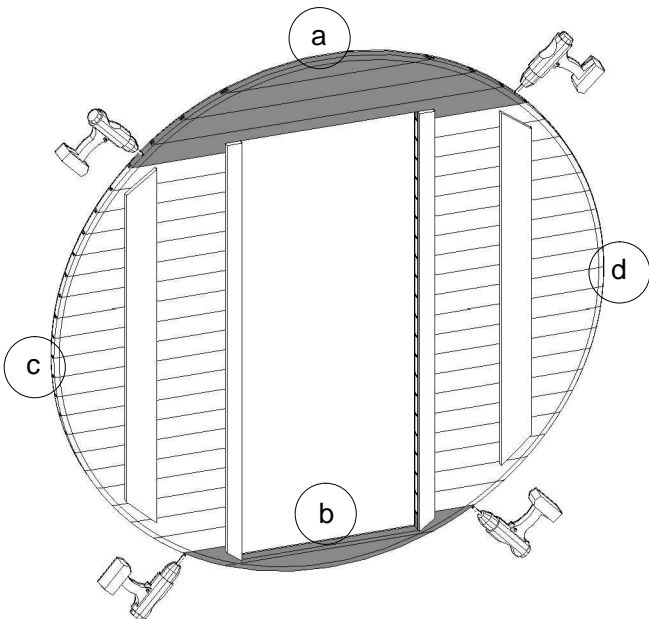
5



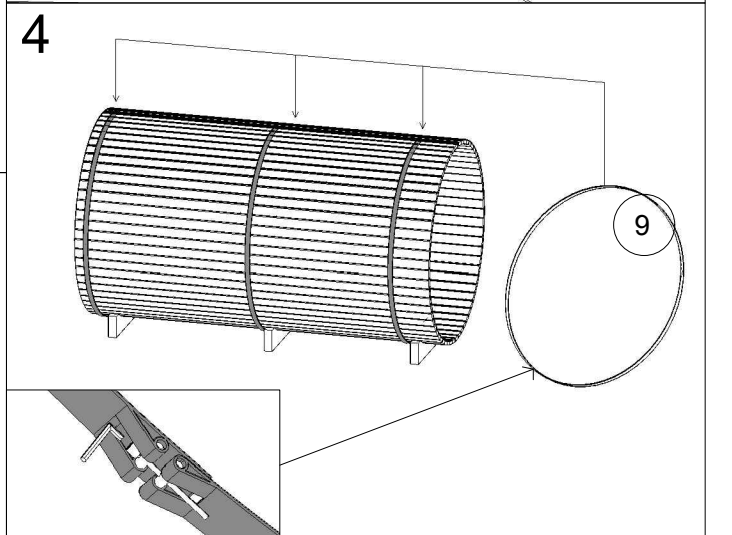
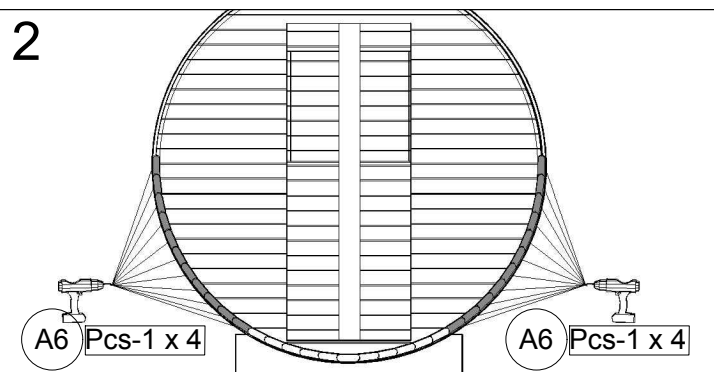
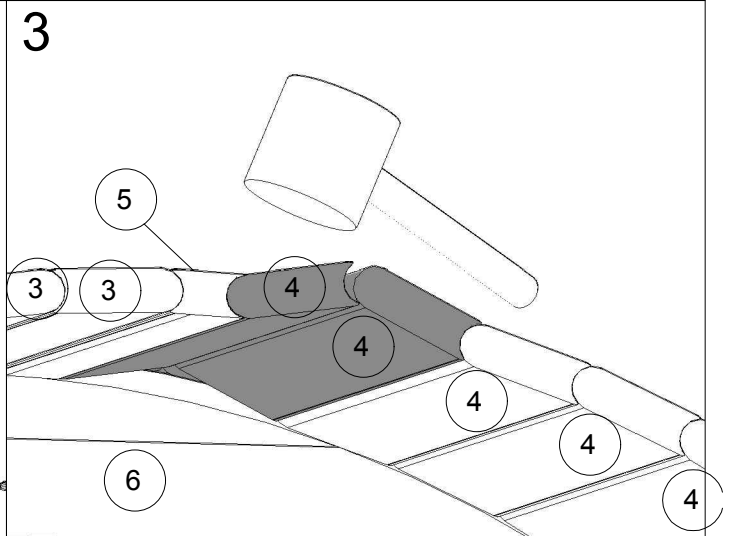
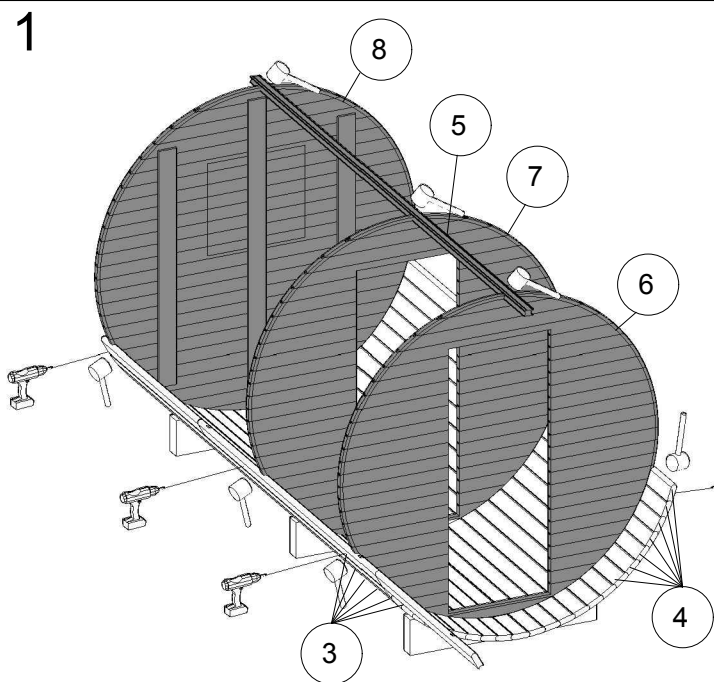
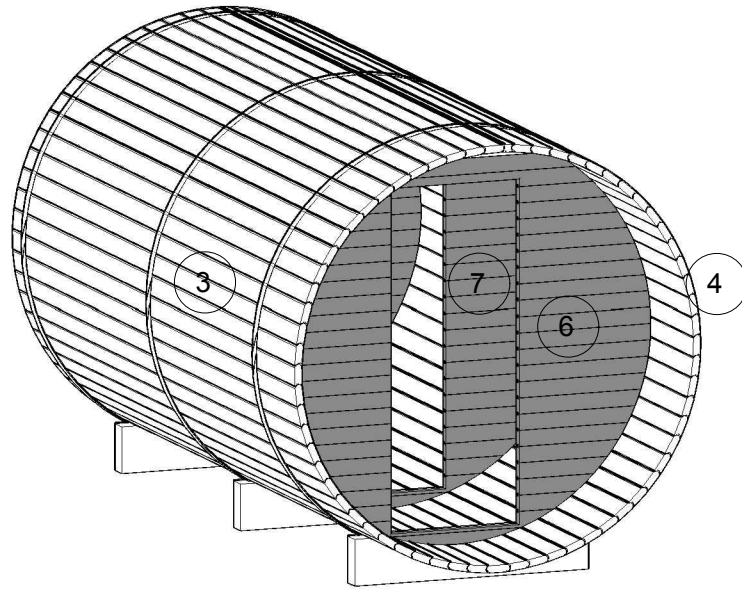
6



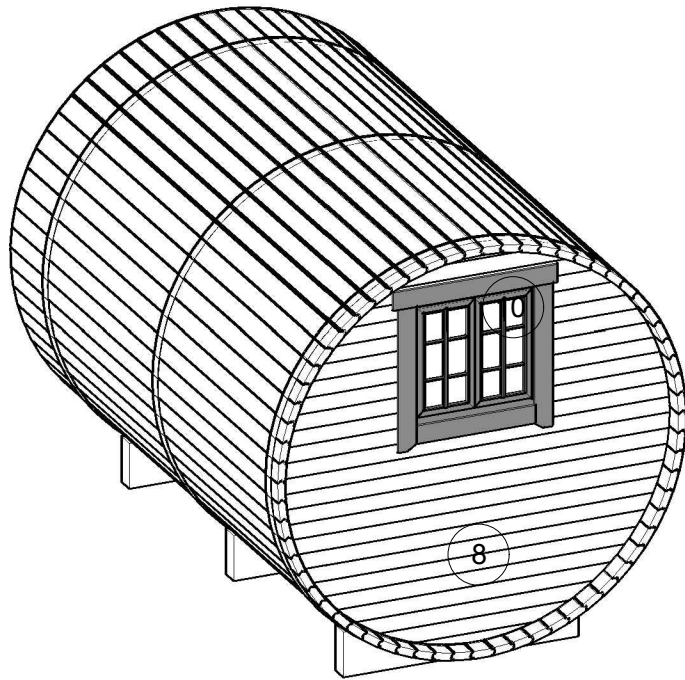
2



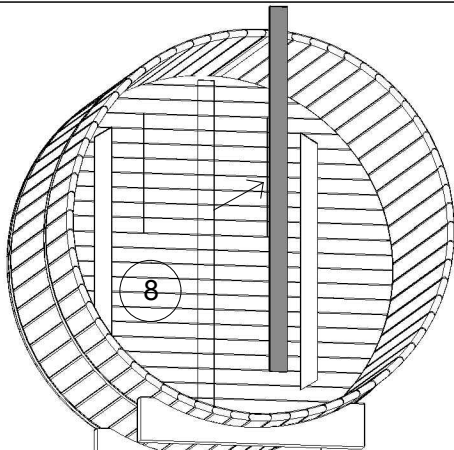
4. Sleeping barrel 3.30m x Ø2.2



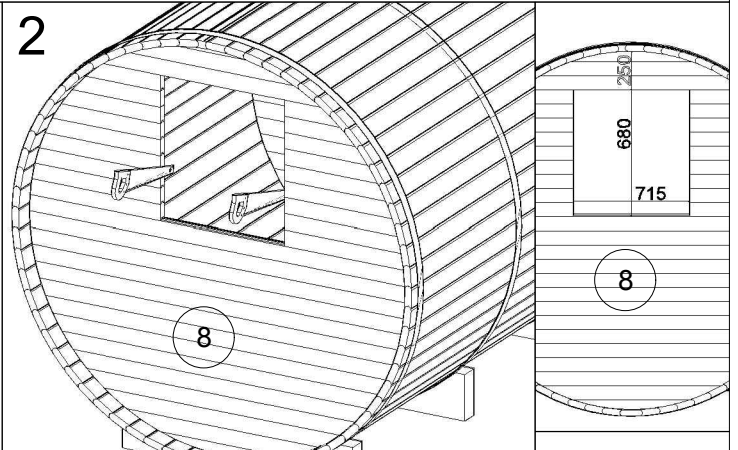
5. Sleeping barrel 3.30m x Ø2.2



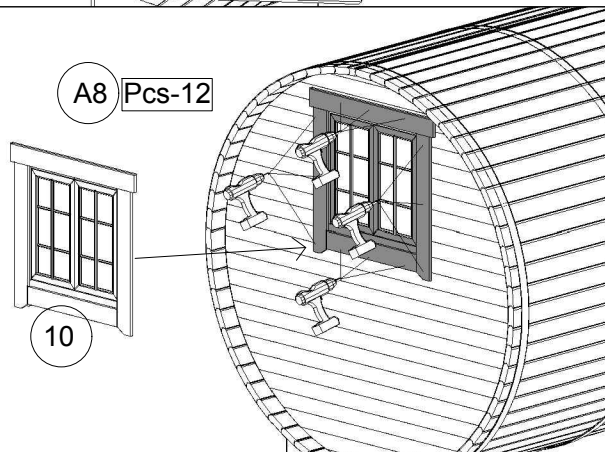
1



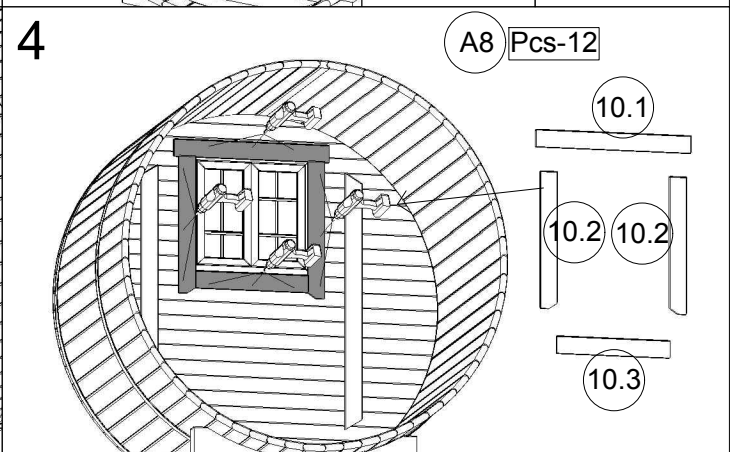
2



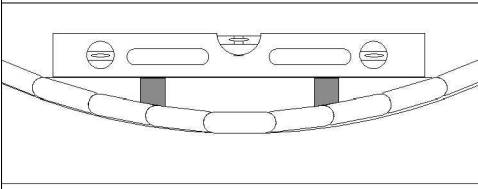
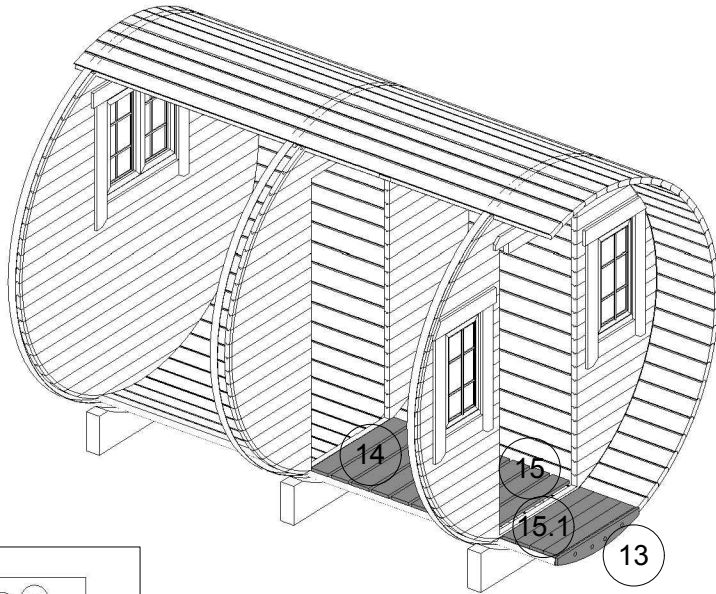
3



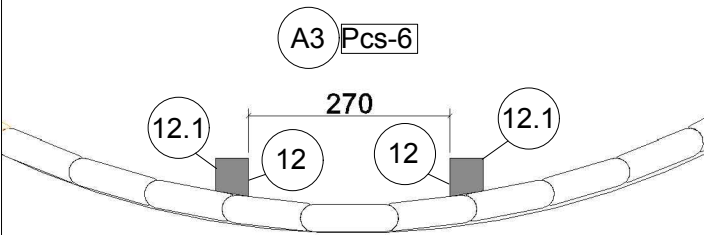
4



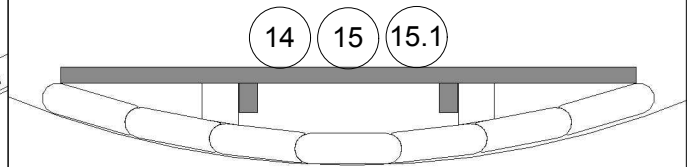
6. Sleeping barrel 3.30m x Ø2.2



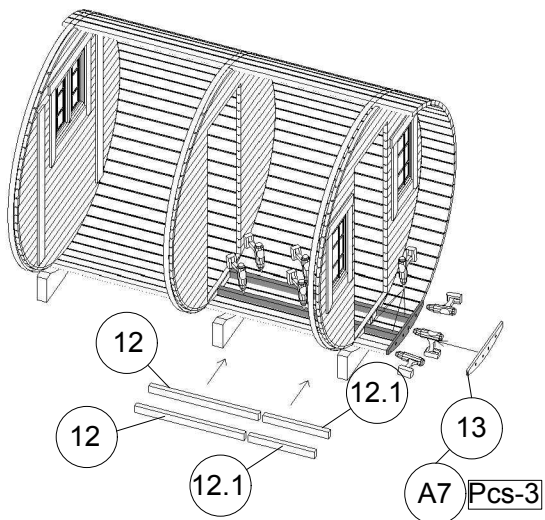
1



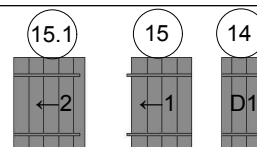
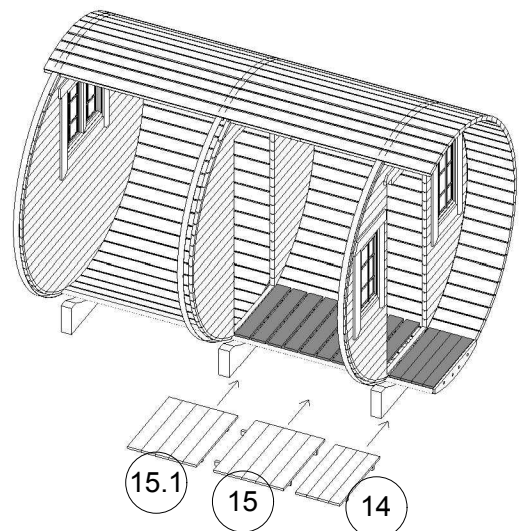
3



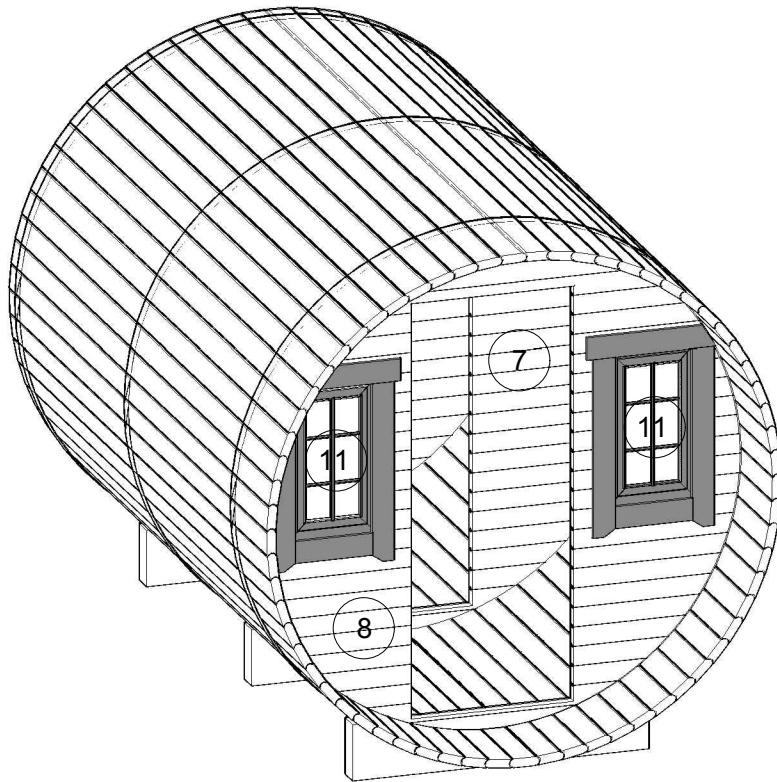
2



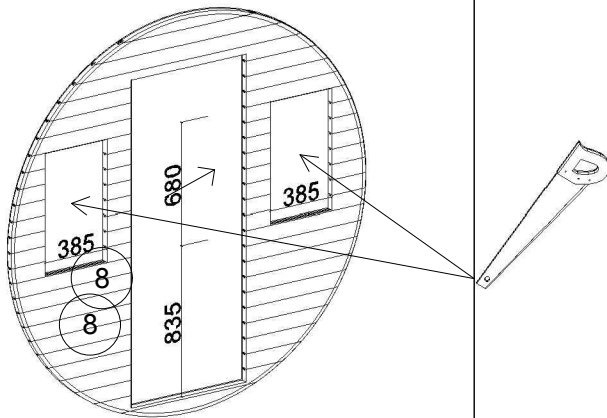
4



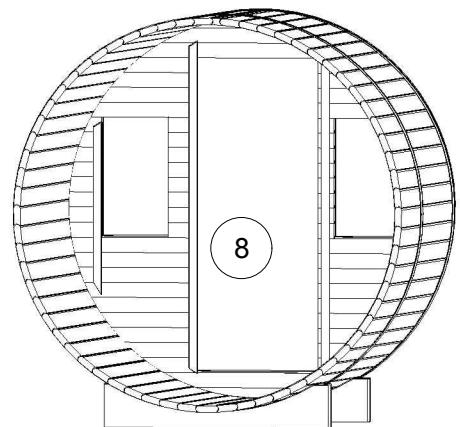
7. Sleeping barrel 3.30m x Ø2.2



1

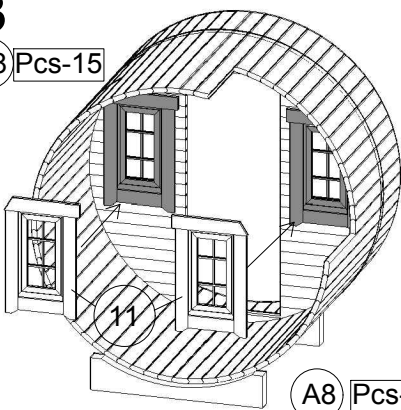


2



3

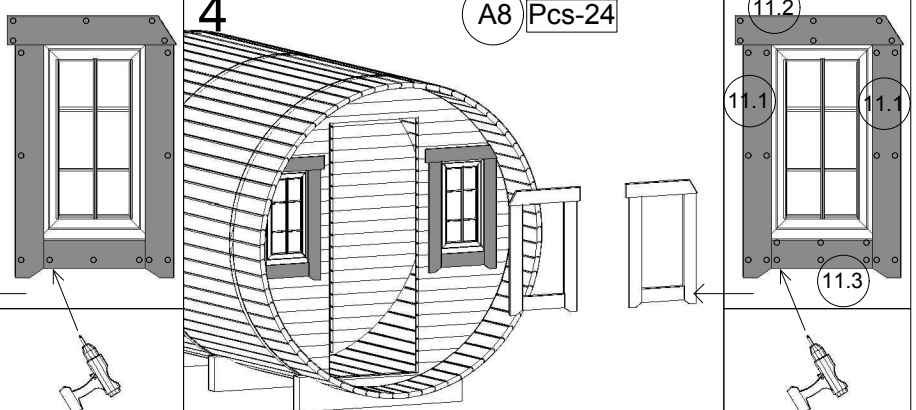
A8 Pcs-15



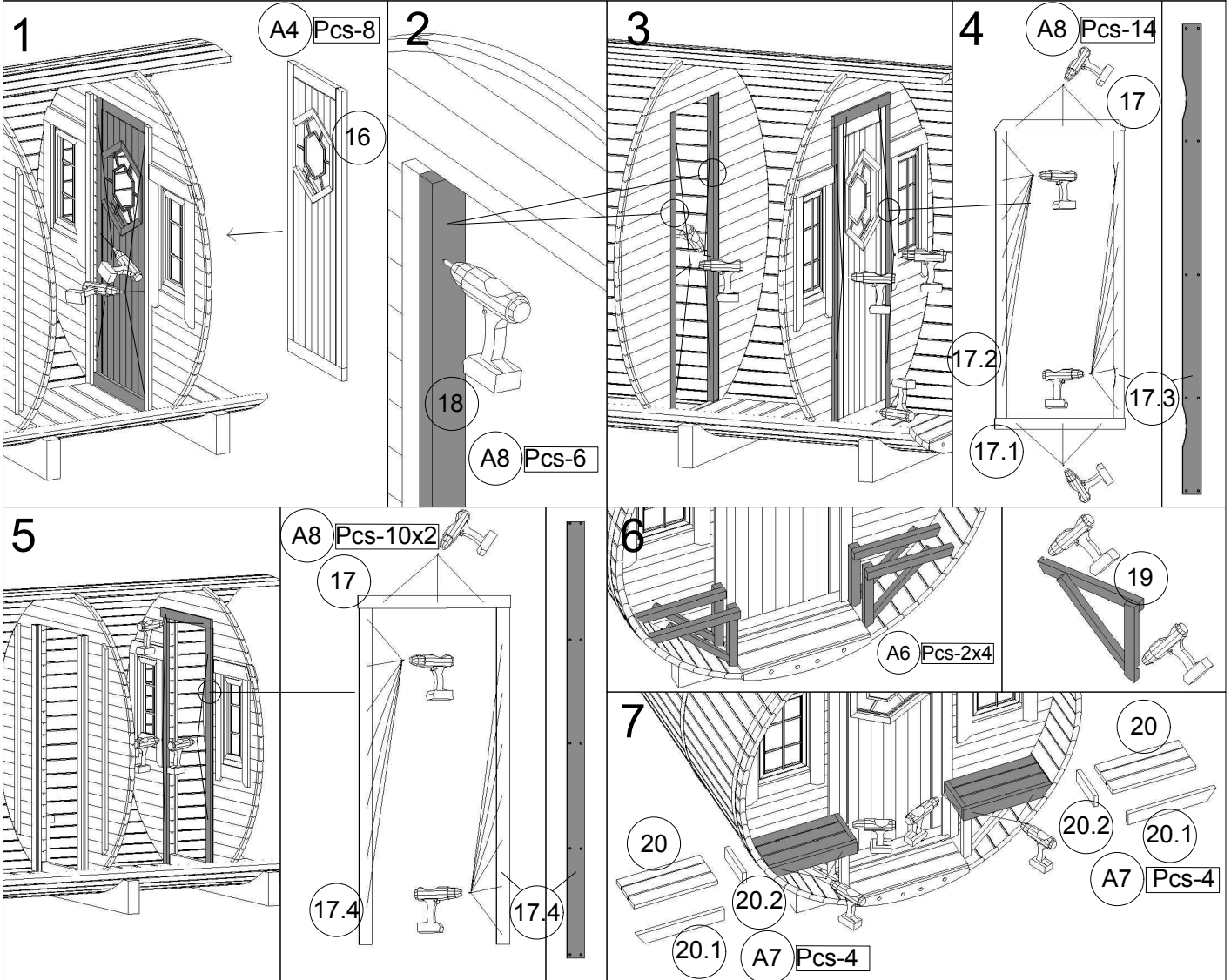
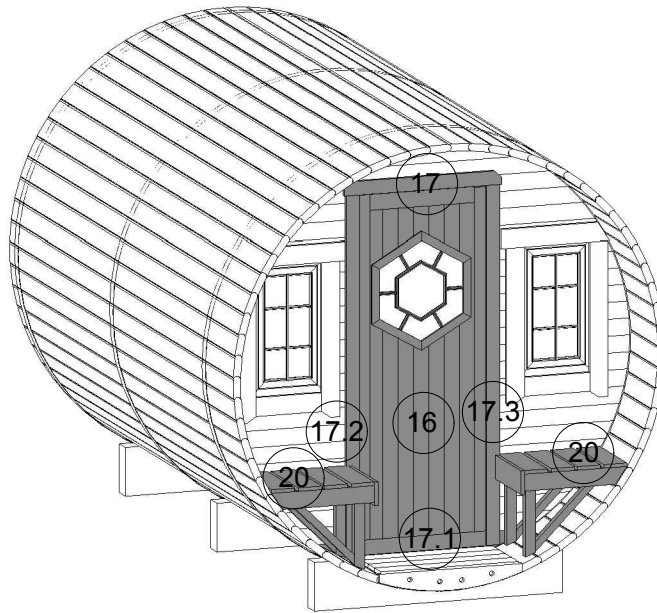
A8 Pcs-15

4

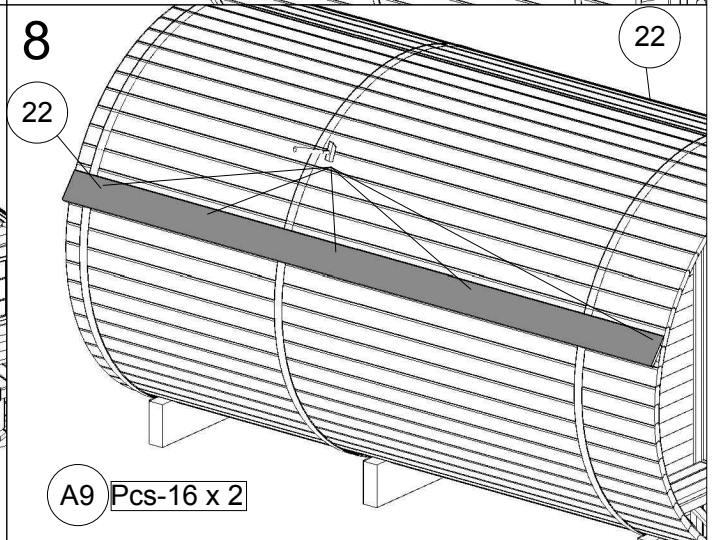
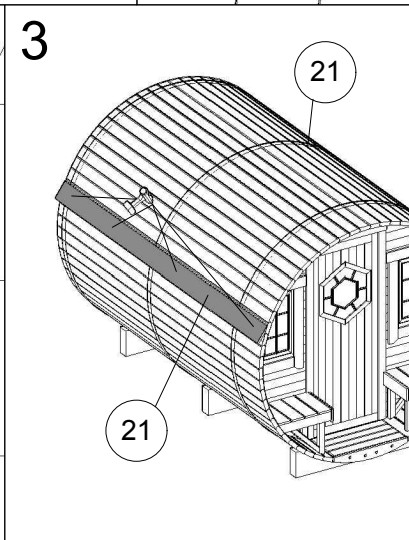
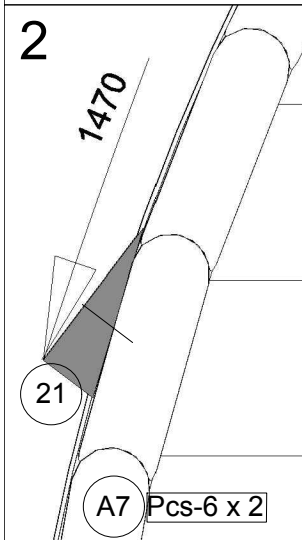
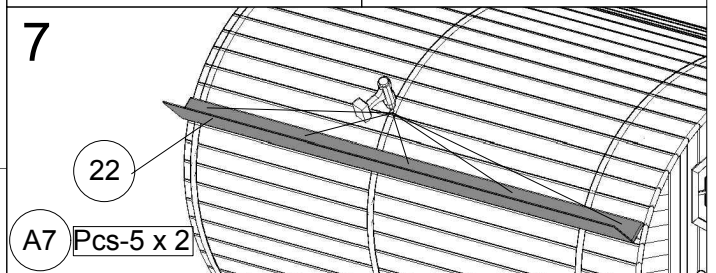
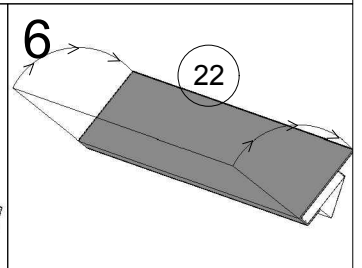
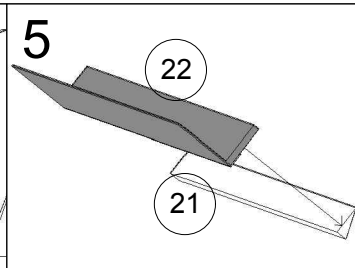
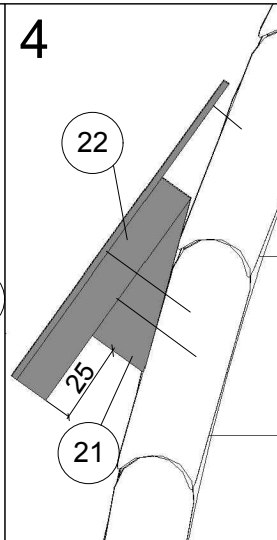
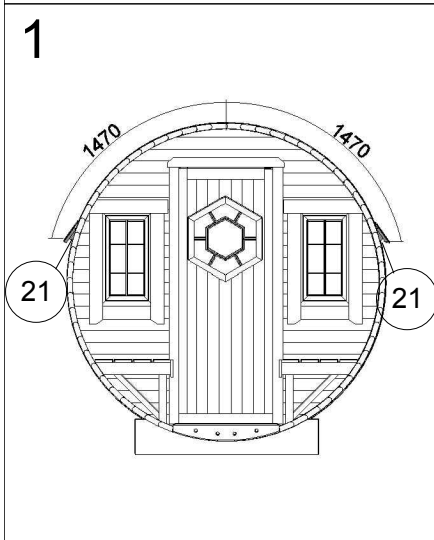
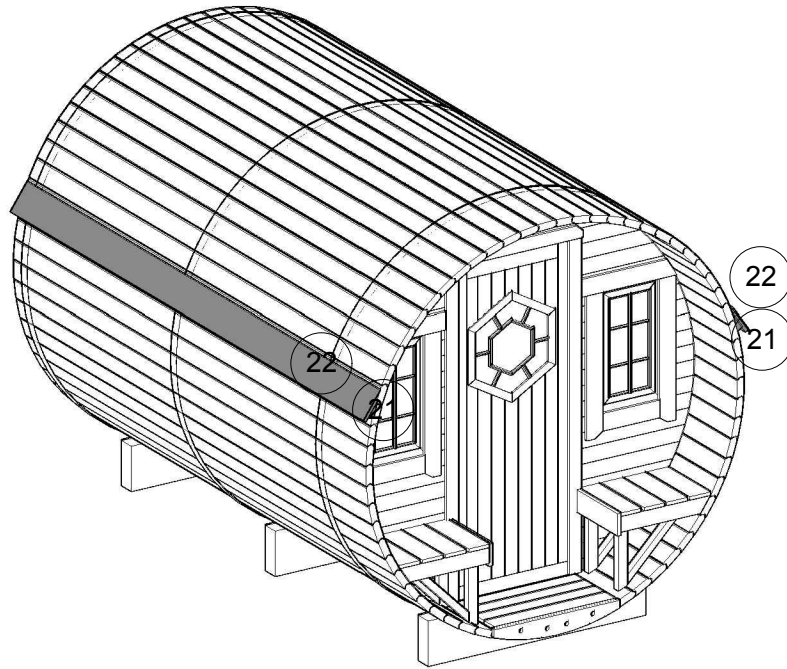
A8 Pcs-24



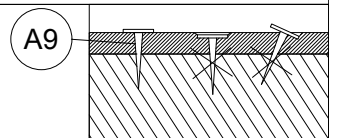
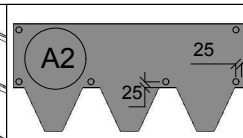
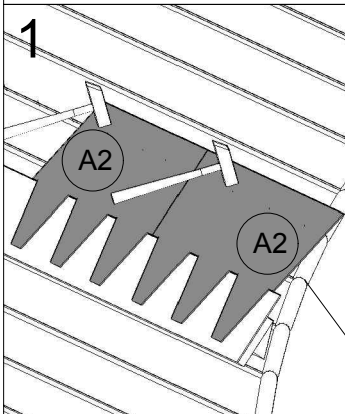
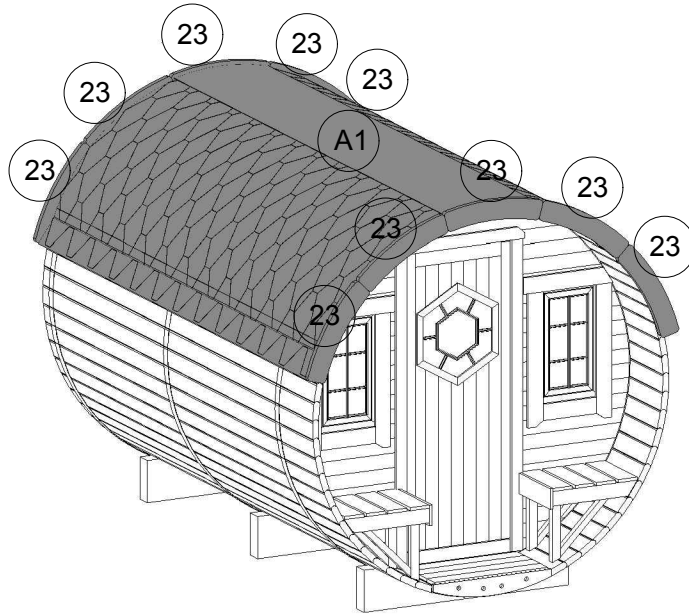
8. Sleeping barrel 3.30m x Ø2.2



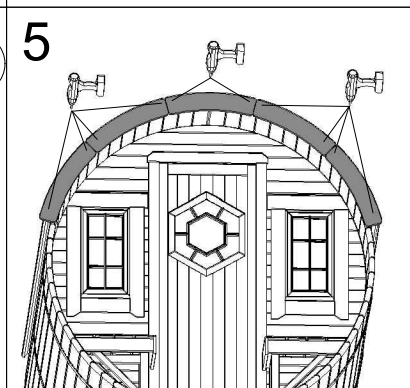
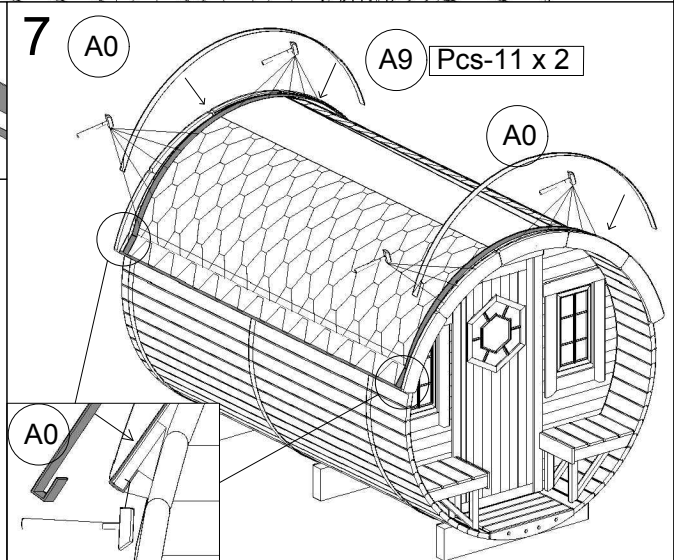
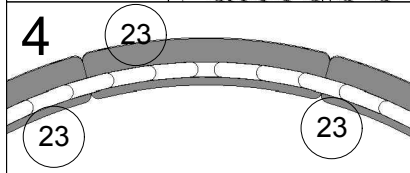
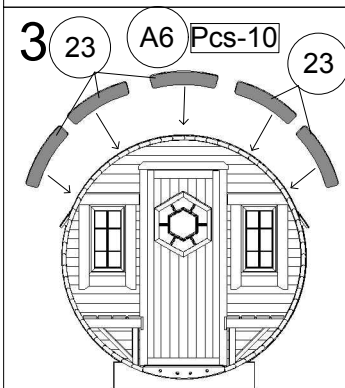
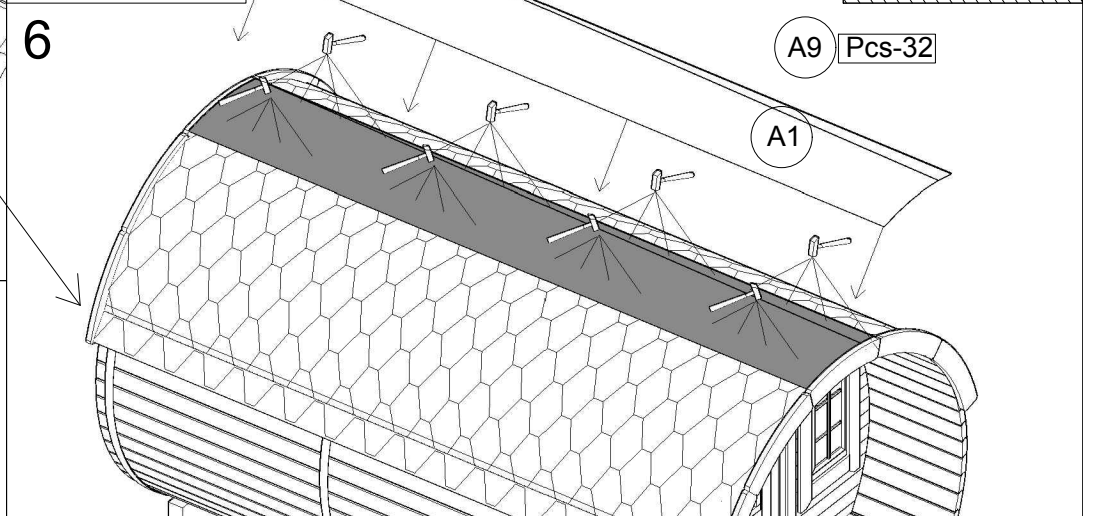
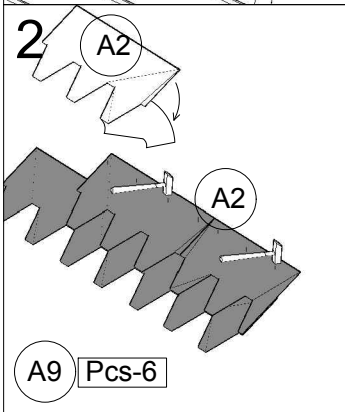
9. Sleeping barrel 3.30m x Ø2.2



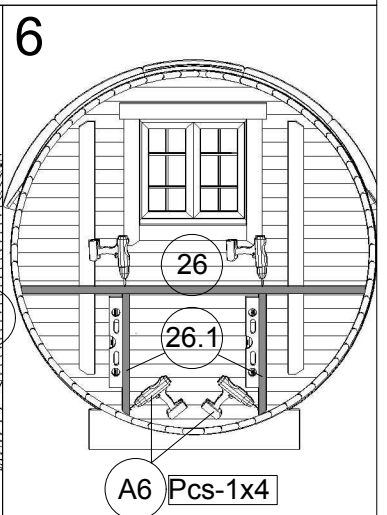
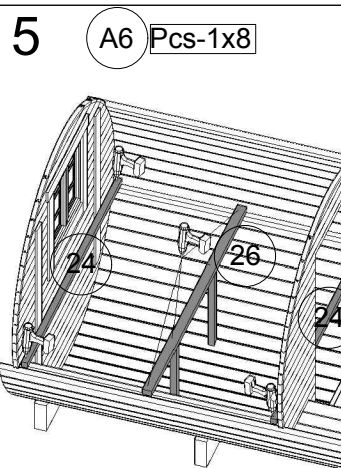
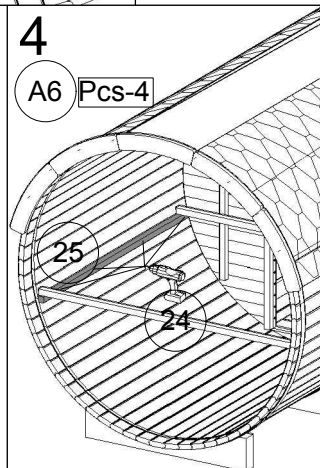
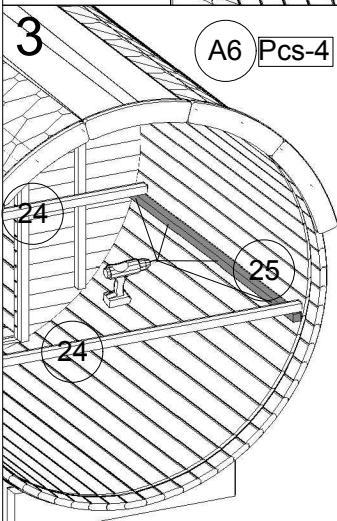
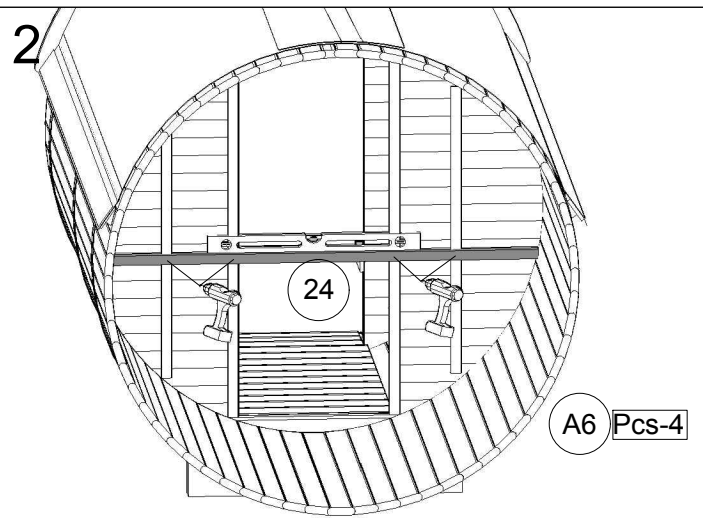
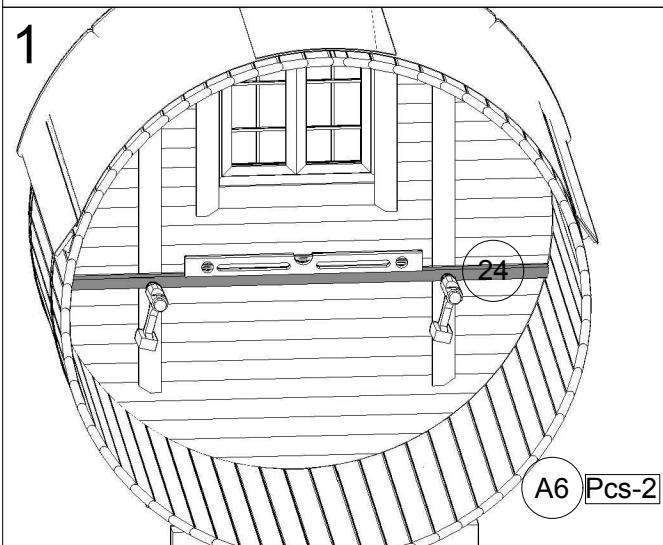
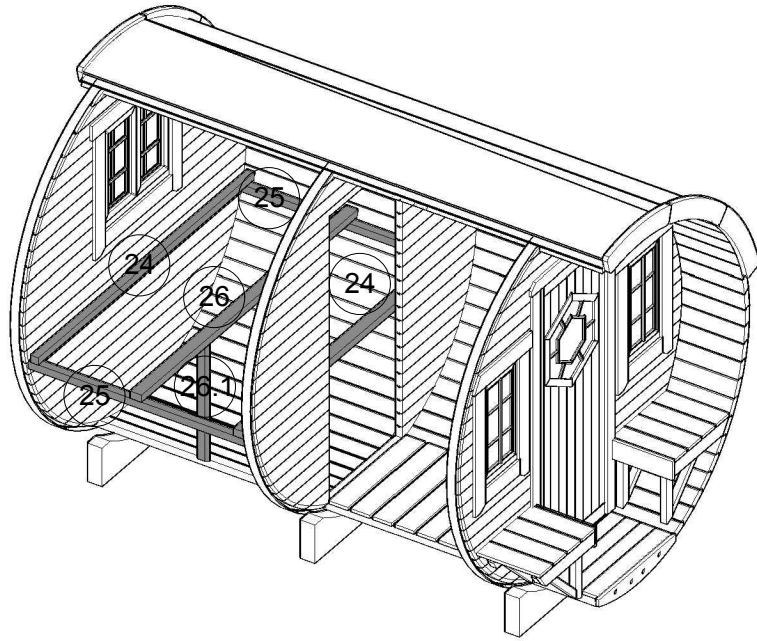
10. Sleeping barrel 3.30m x Ø2.2



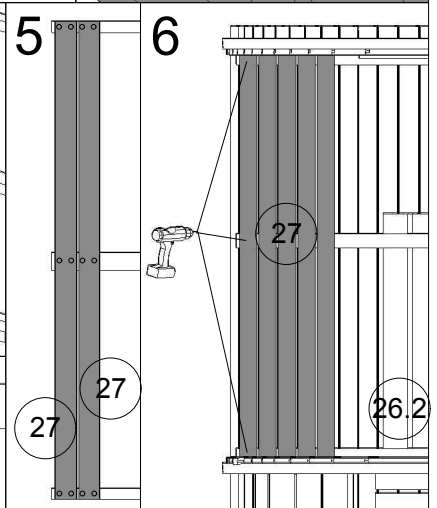
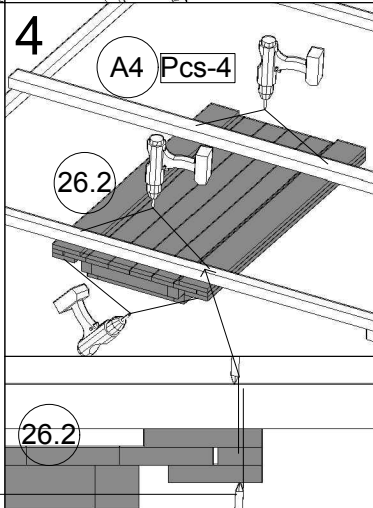
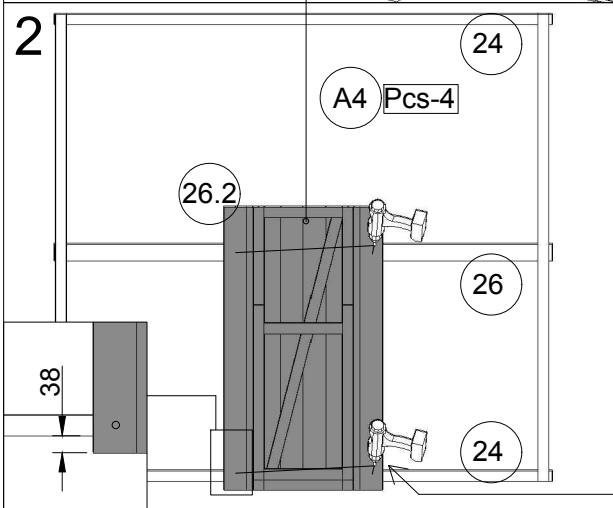
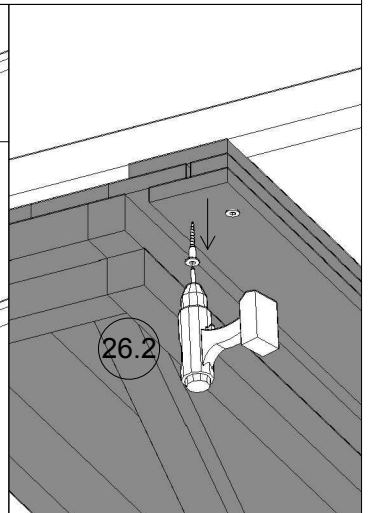
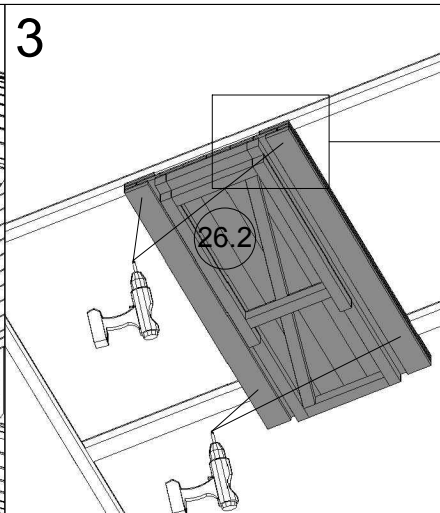
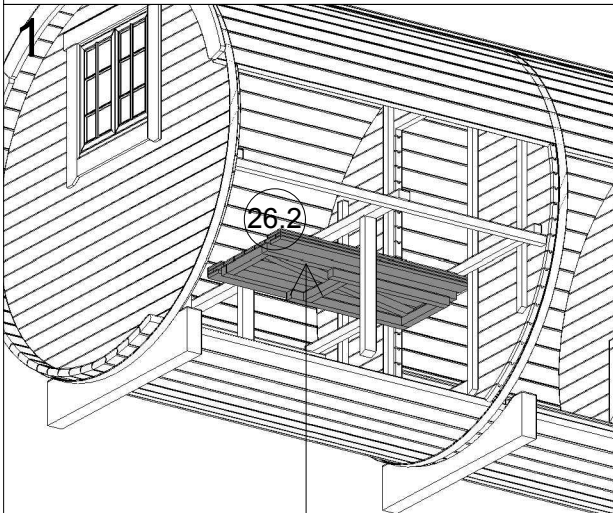
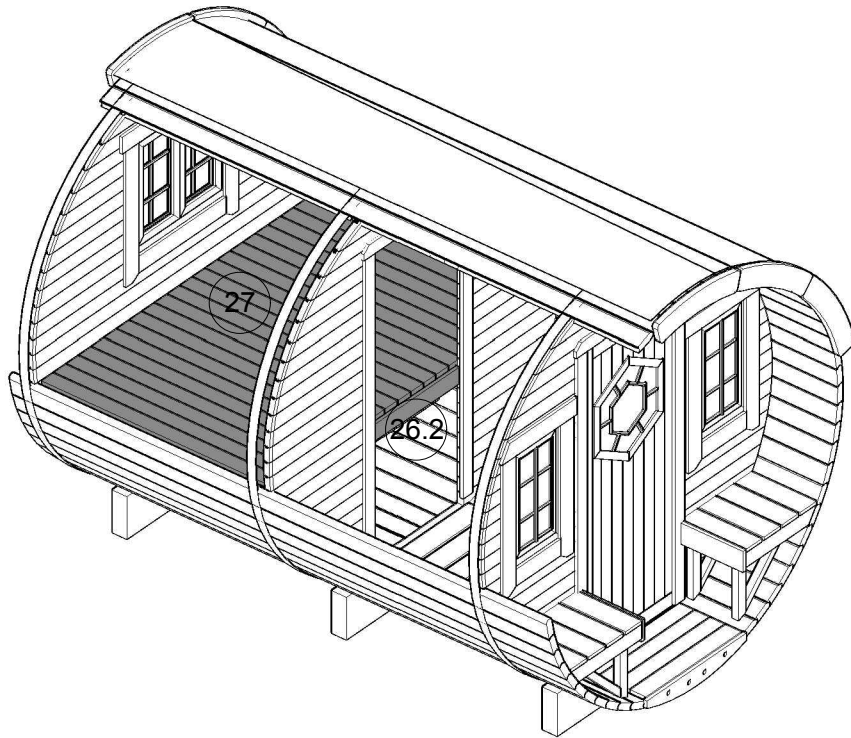
A9 Pcs-32



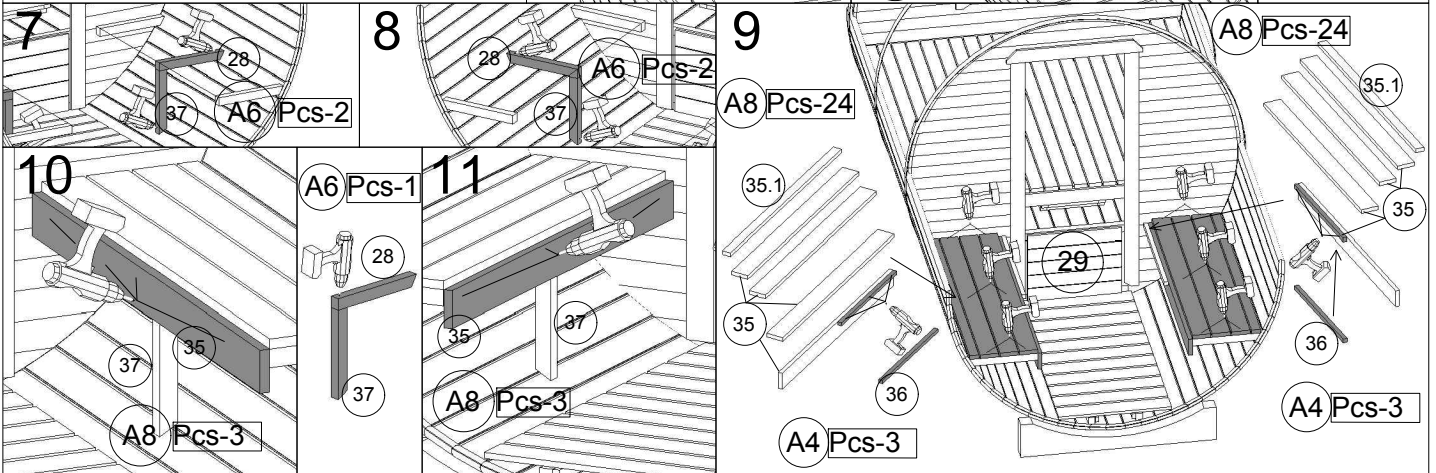
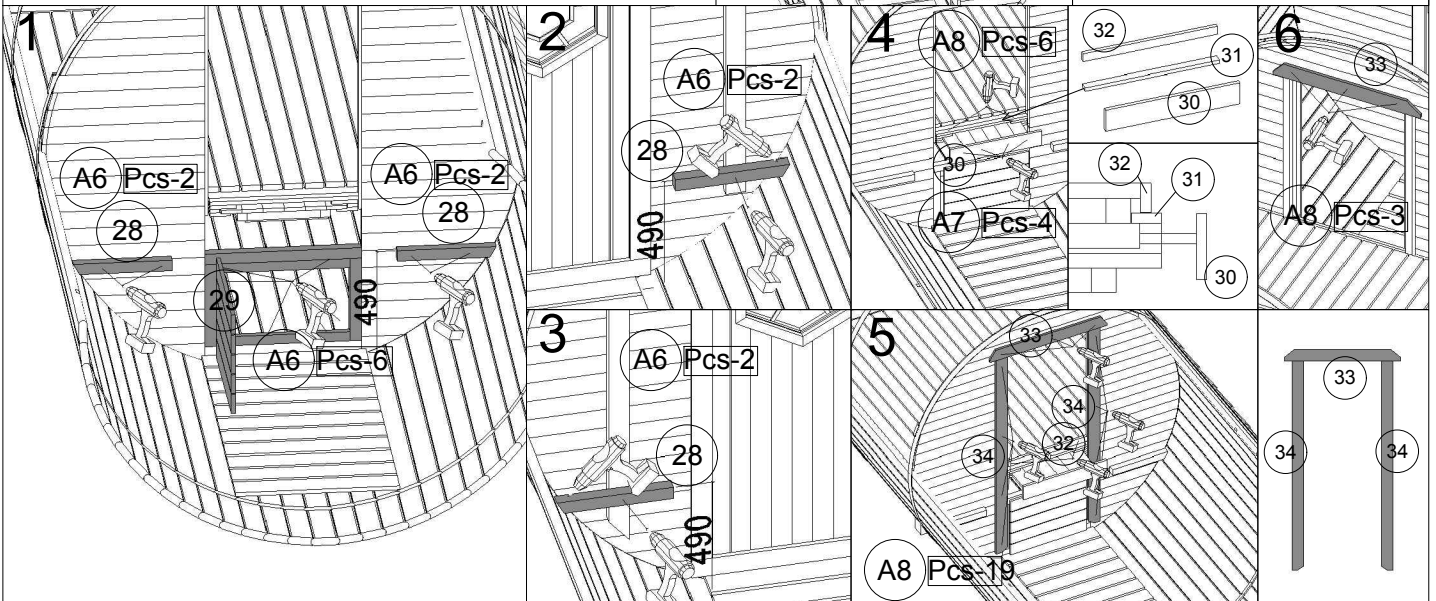
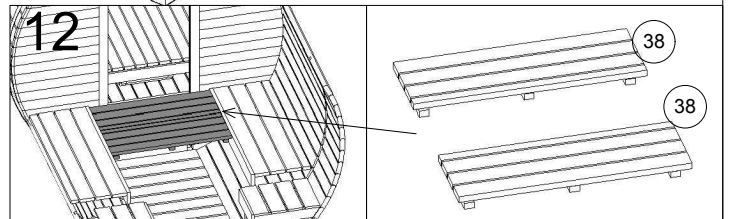
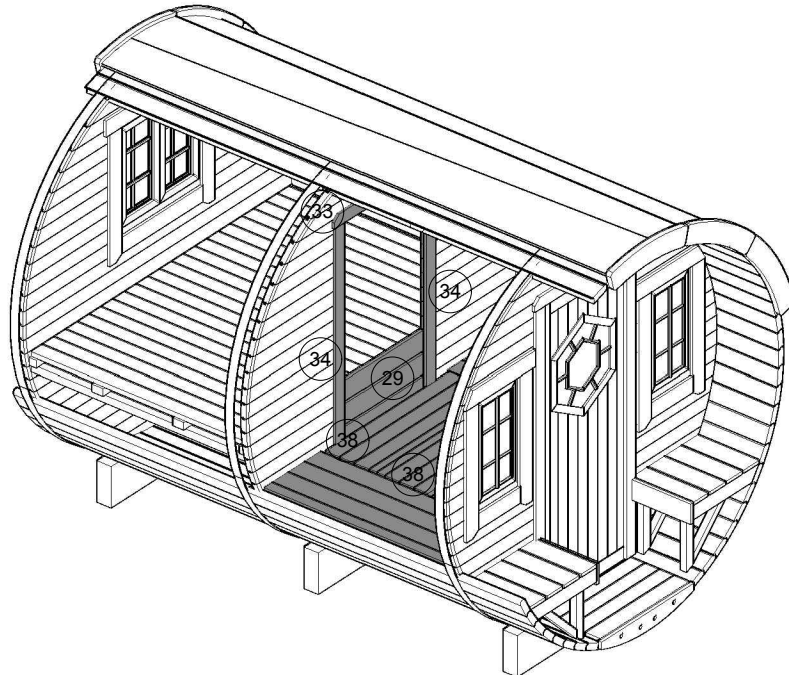
11. Sleeping barrel 3.30m x Ø2.2



12. Sleeping barrel 3.30m x Ø2.2

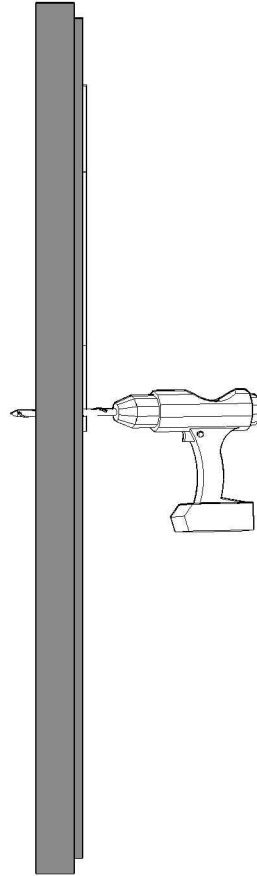
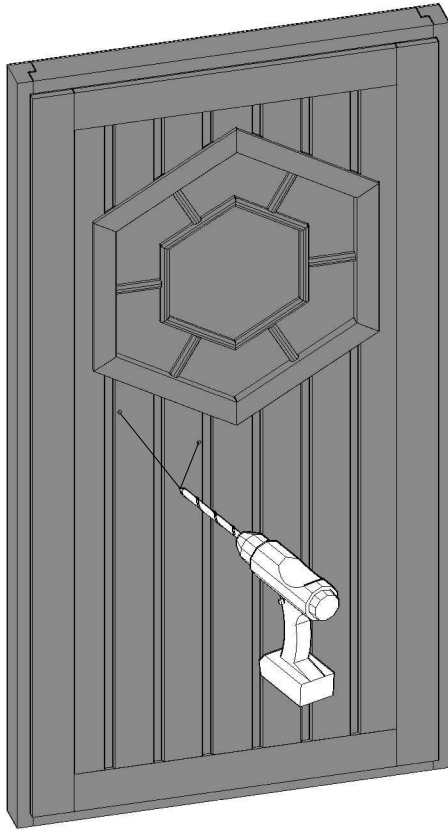


13. Sleeping barrel 3.30m x Ø2.2

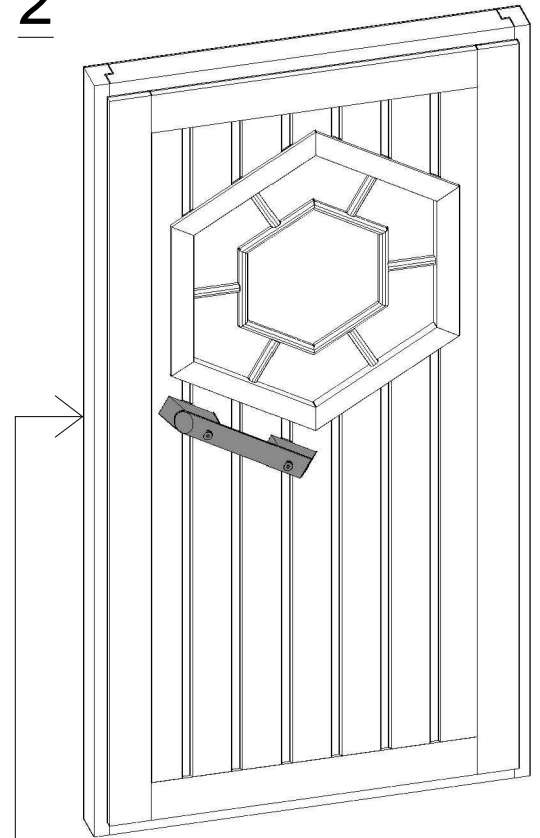


14. Sleeping barrel 3.30m x Ø2.20

1



2



3

