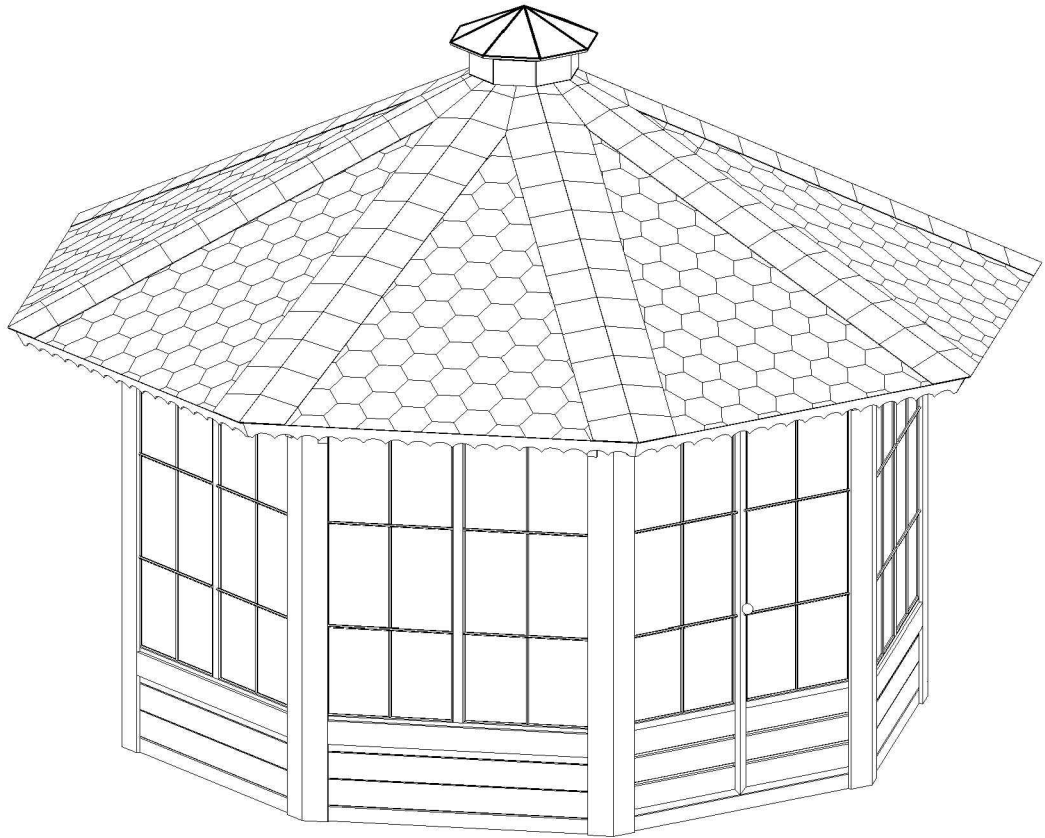


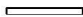


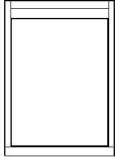
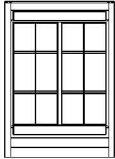
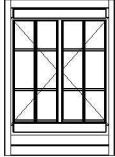
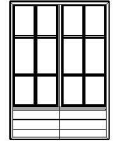

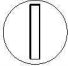







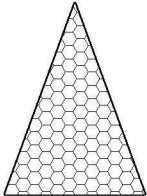


# Pavilion 10



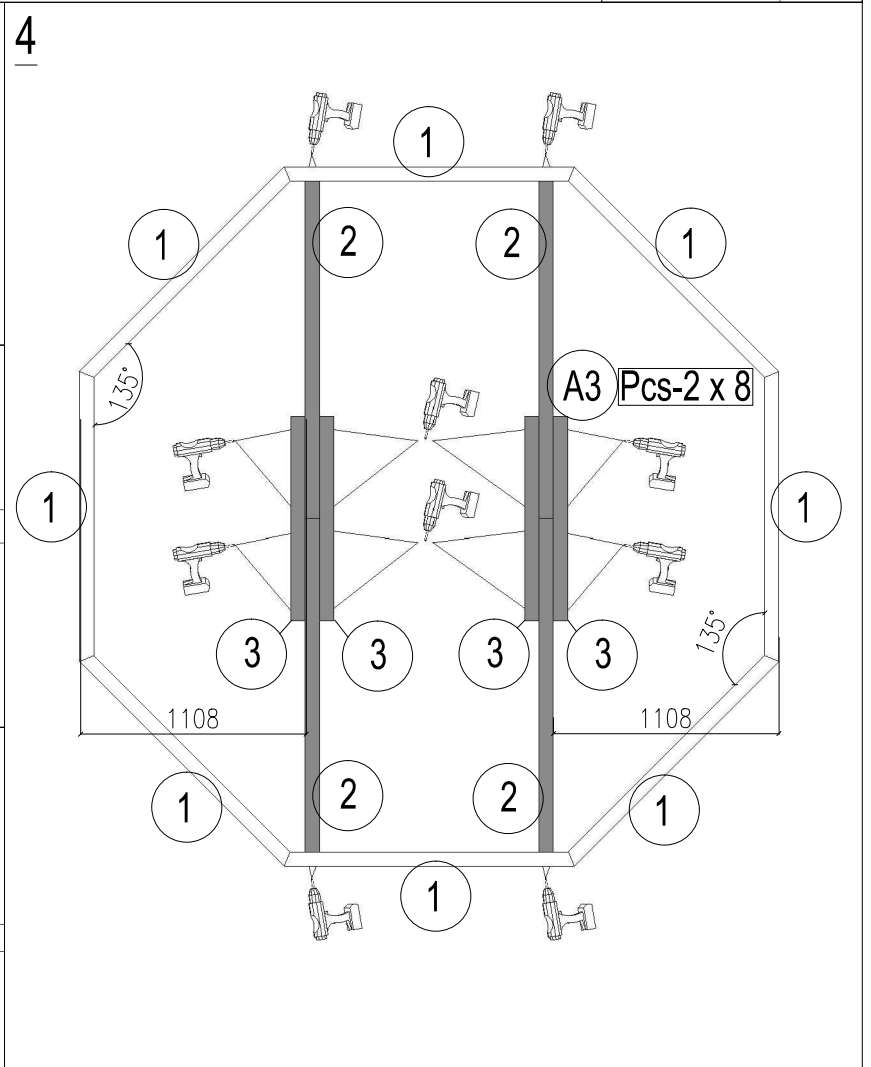
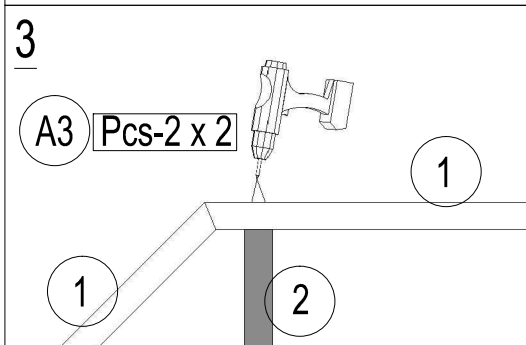
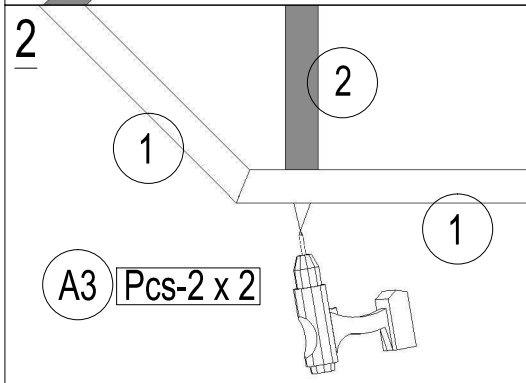
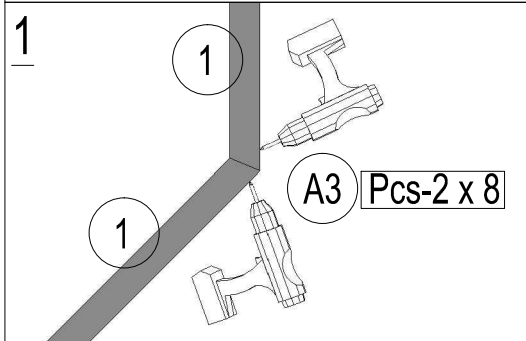
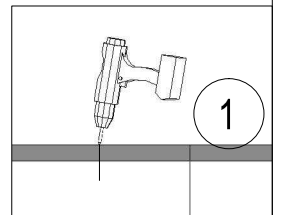
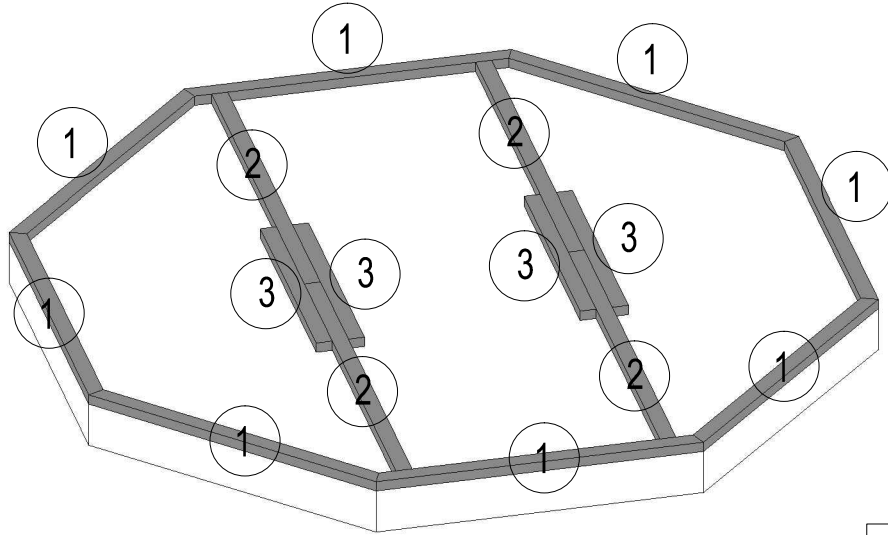
1. PAVILION- 10

No.	$\begin{matrix} x \\ \swarrow \\ z \\ \searrow \\ y \end{matrix}$	Detail	Pcs	Dimension ( x, y, z ) mm
1			8	70 x 1421 x 45
2			4	70 x 1635 x 45
3			4	70 x 1000 x 45
4			8	146 x 2500 x 28
5			51	146 x 1144 x 28
6			1	2050 x 1440 x 45
7			4	2050 x 1440 x 45
7.1			3	2050 x 1440 x 45
8			1	1820 x 1300 x 45
8.1		 	2	120 x 1215 x 18
9		 	7	75 x 1300 x 20
9.1		 	1	75 x 1300 x 20
10			8	2123 x 222 x 18
11			8	195 x 1564 x 45
12			8	70 x 340 x 45
13			8	2550 x 1866 x 66

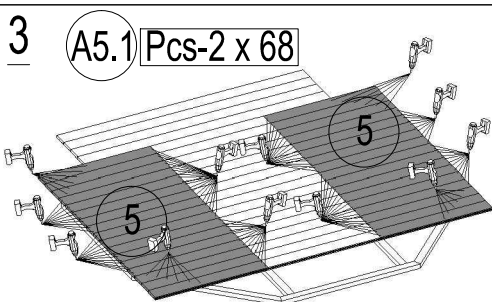
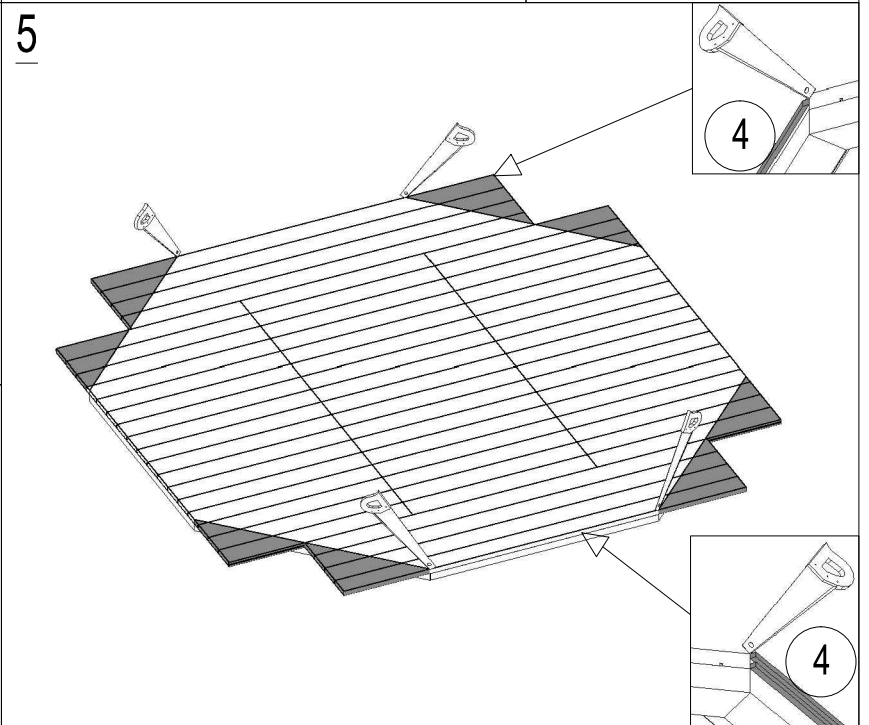
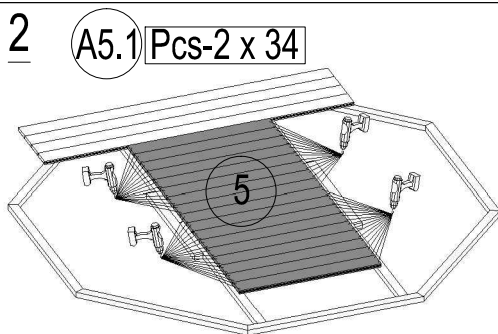
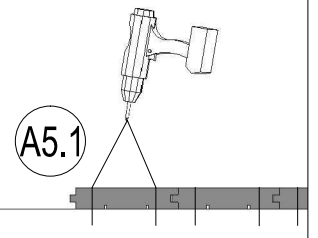
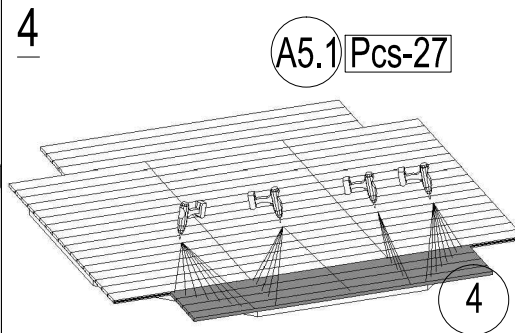
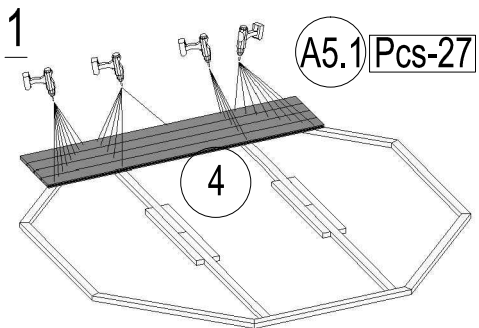
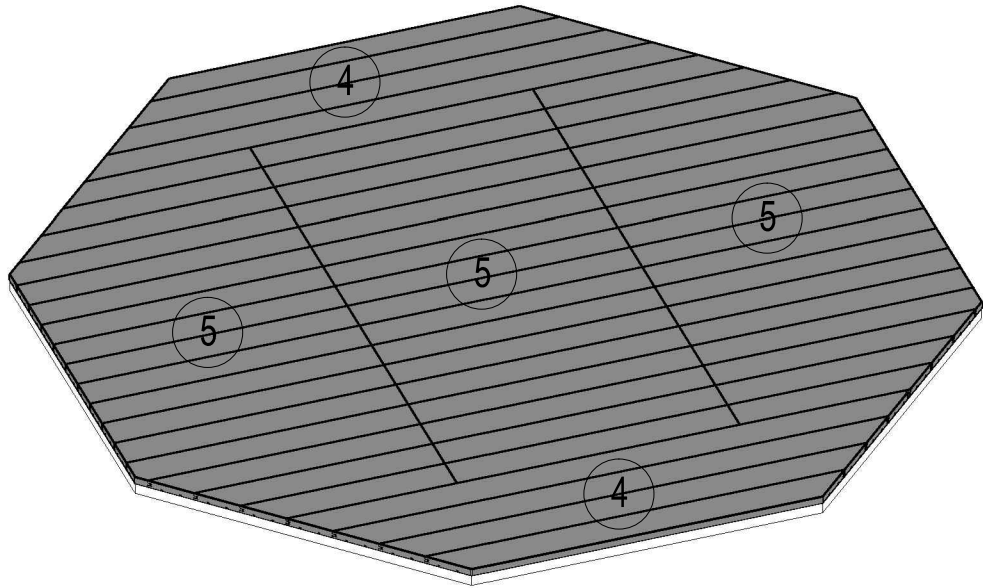




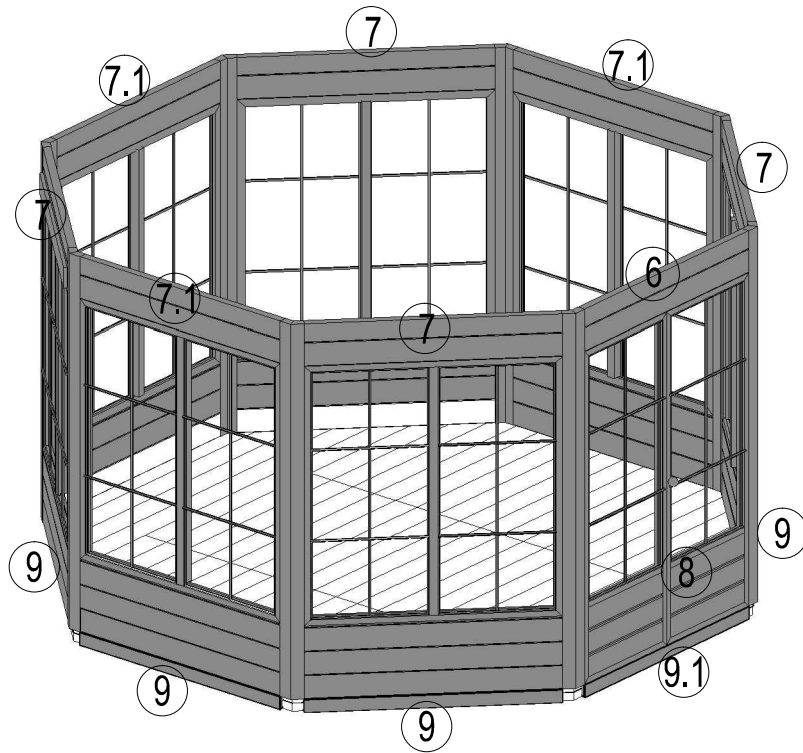
# 1. Pavilion 10



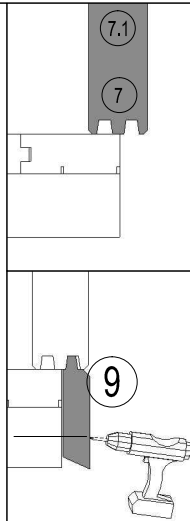
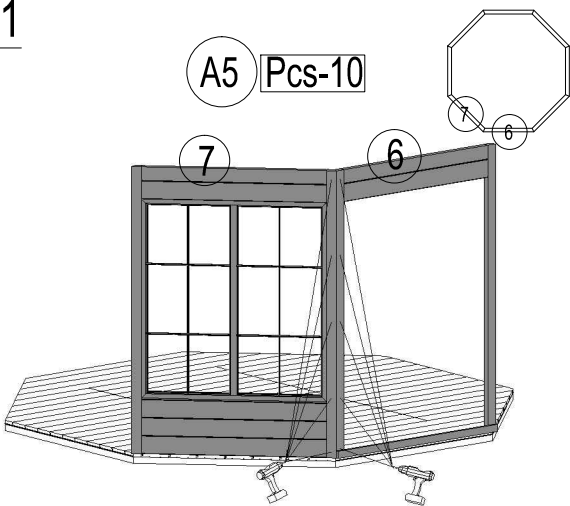
## 2. Pavillon 10



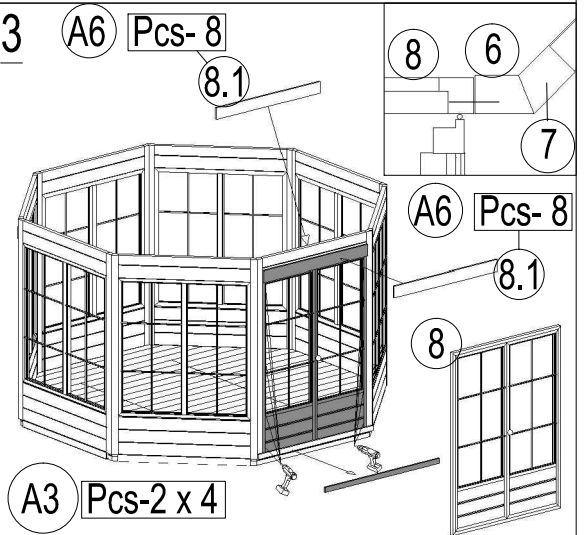
### 3. Pavilion 10



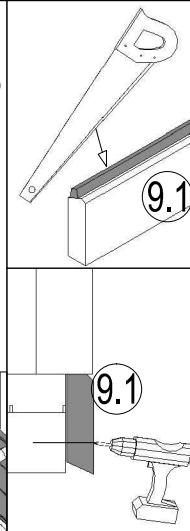
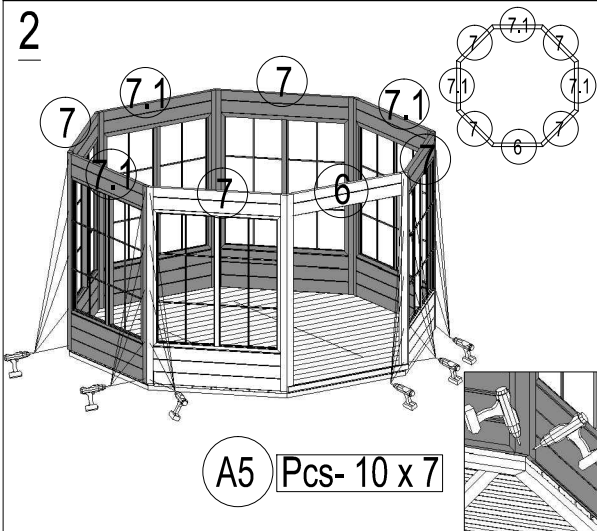
1



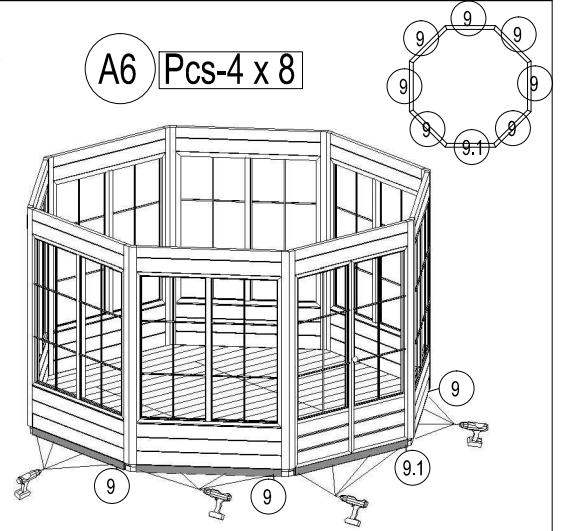
3



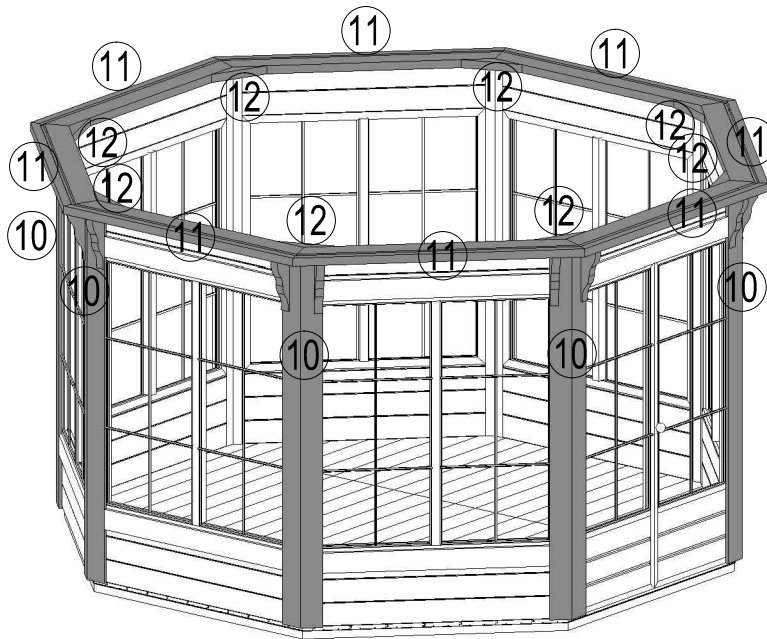
2



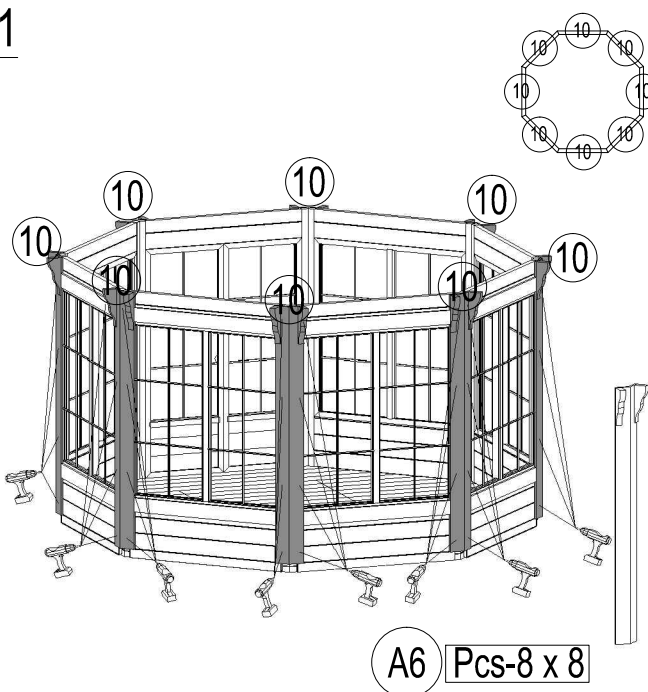
4



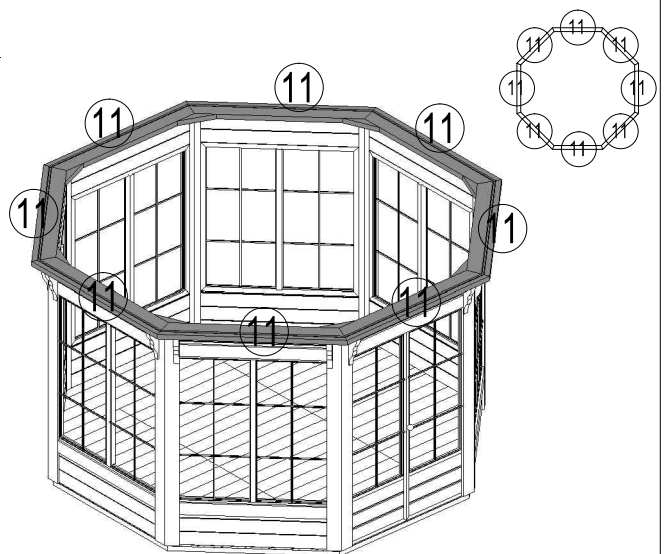
# 4. Pavilion 10



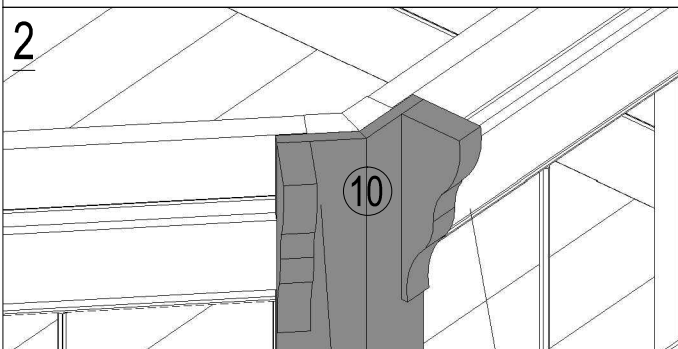
1



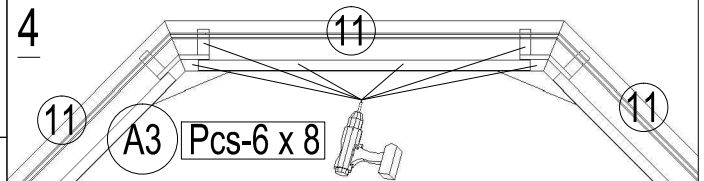
3



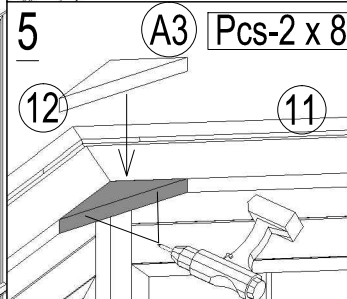
2



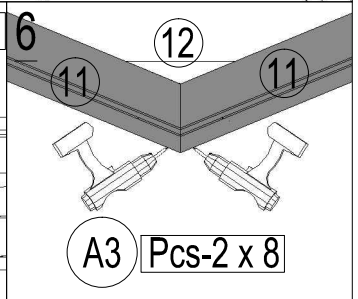
4



5

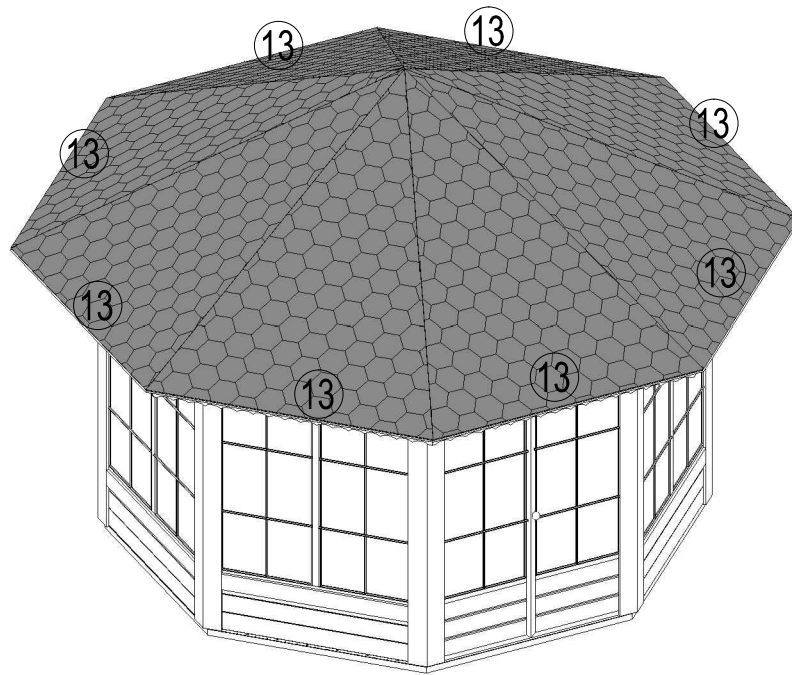


6

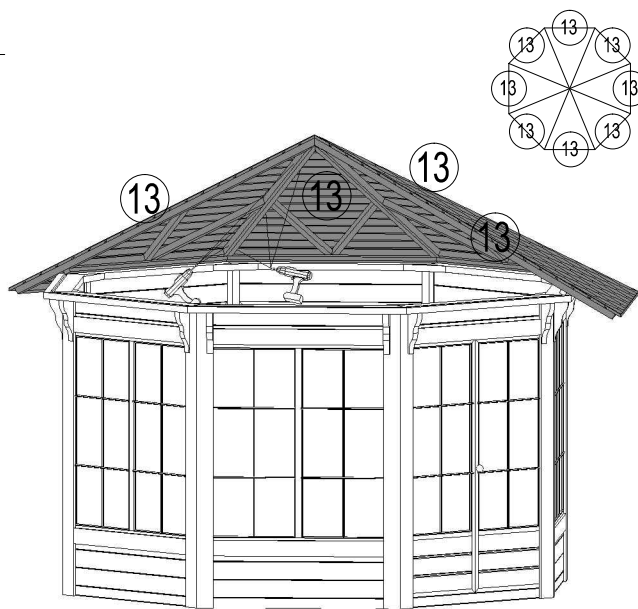




# 5. Pavilion 10

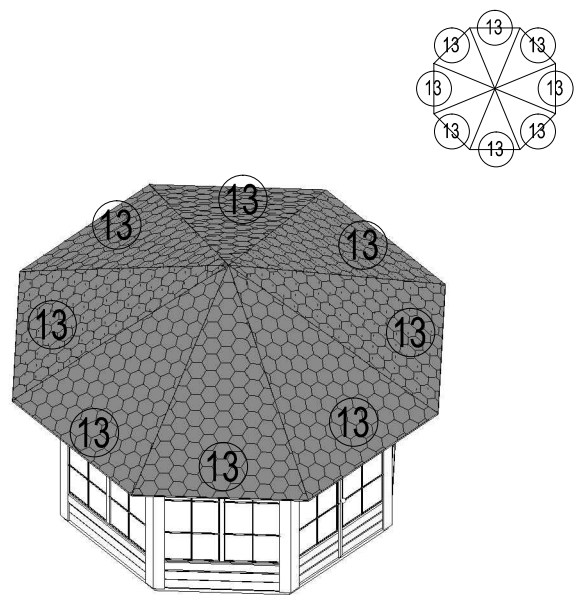


1



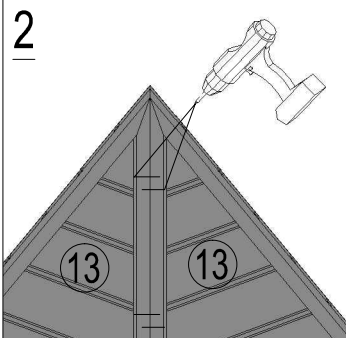
A5 Pcs-6 x 8

3

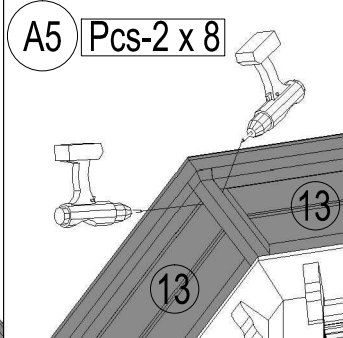


A3 Pcs-4 x 8

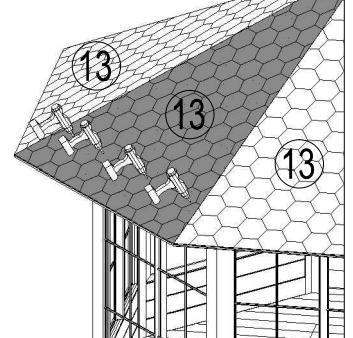
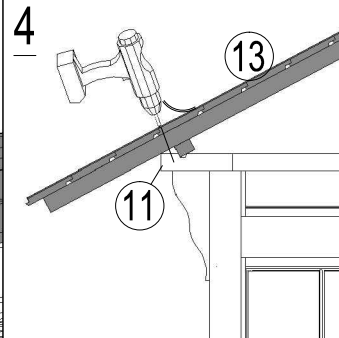
2



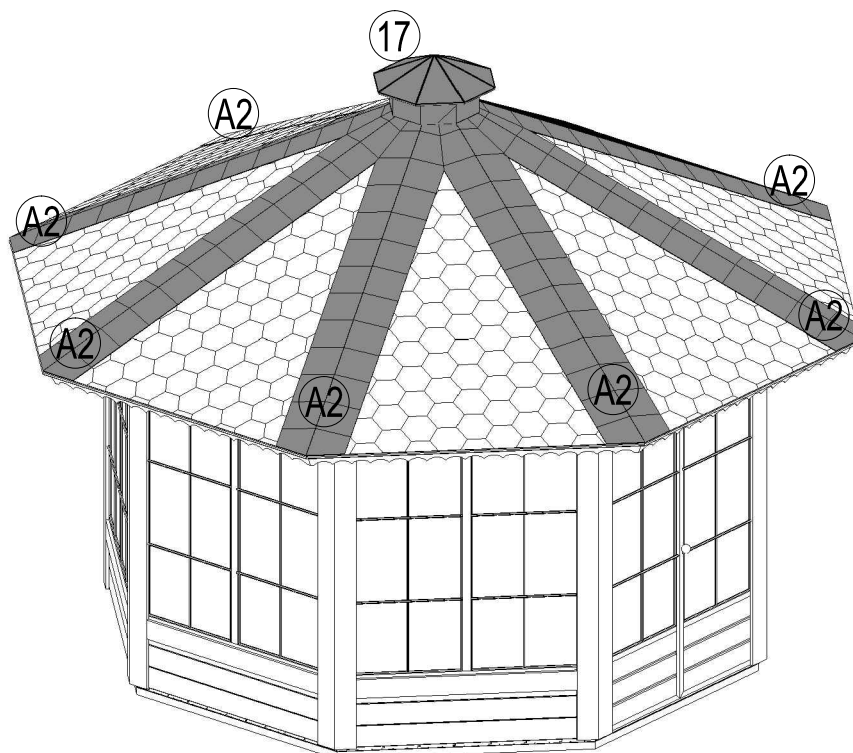
A5 Pcs-2 x 8



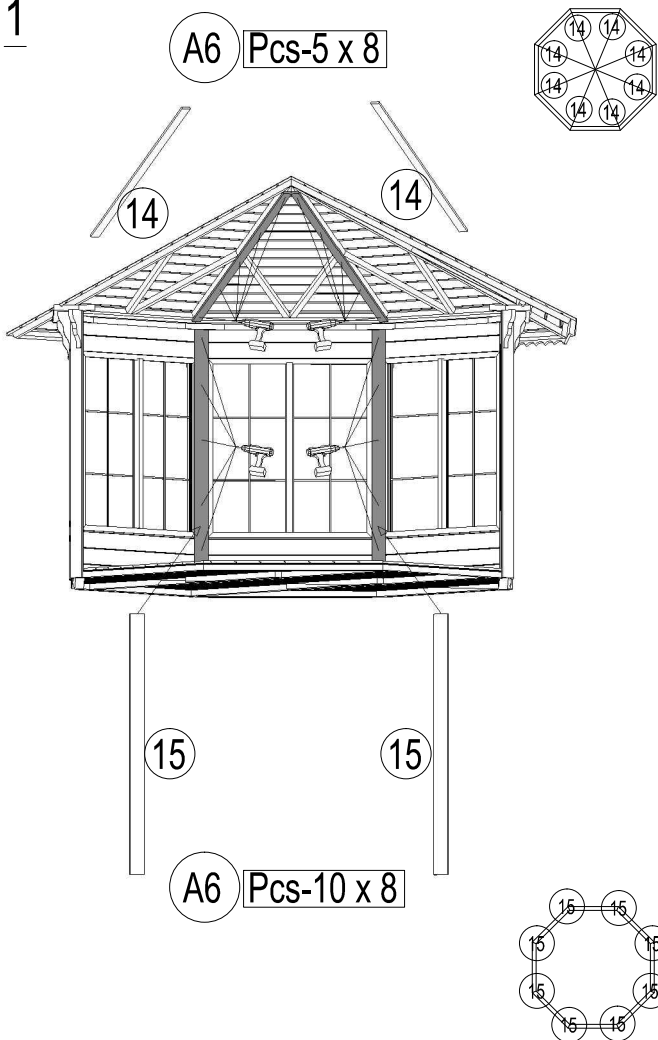
4



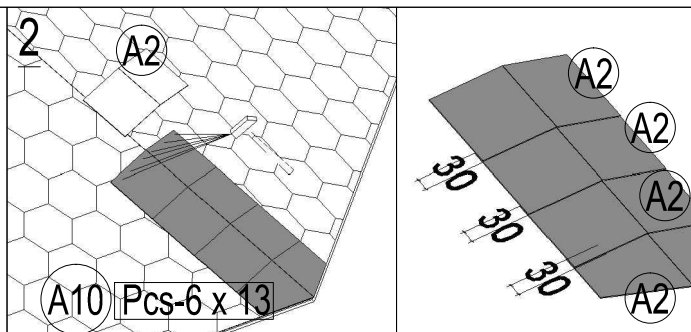
# 6. Pavilion 10



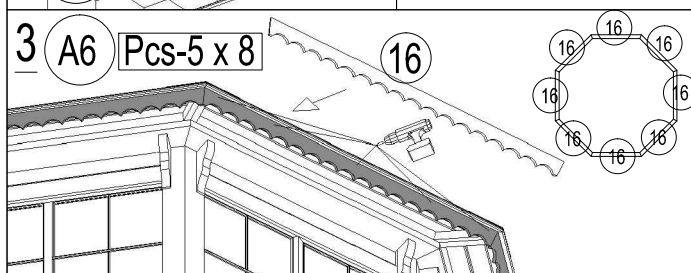
1



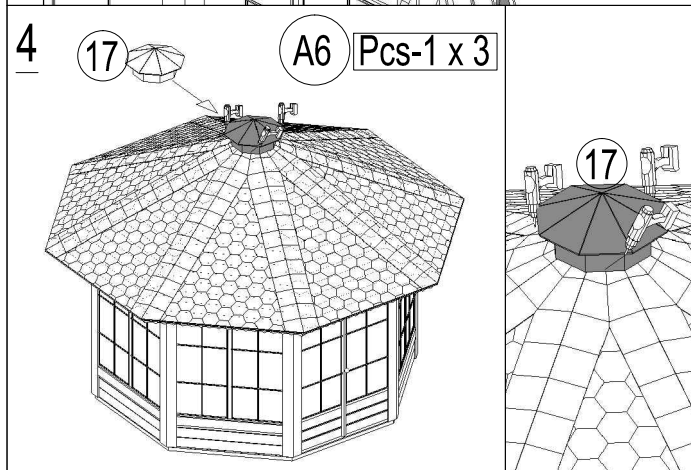
2



3



4



# 7. Pavilion 10

