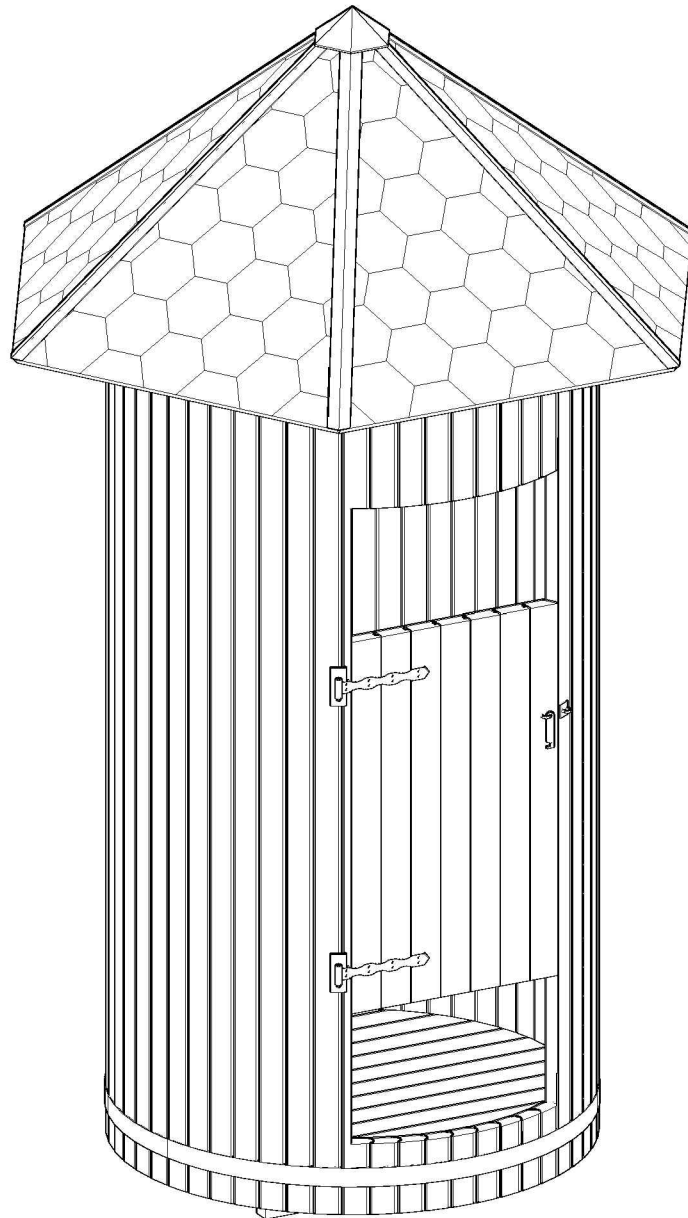
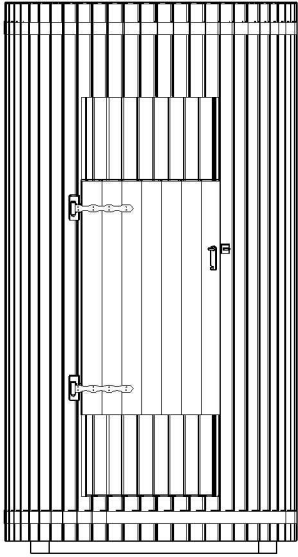


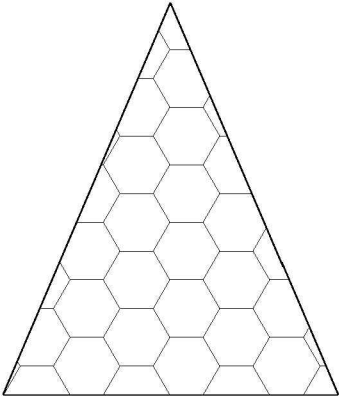



# Shower

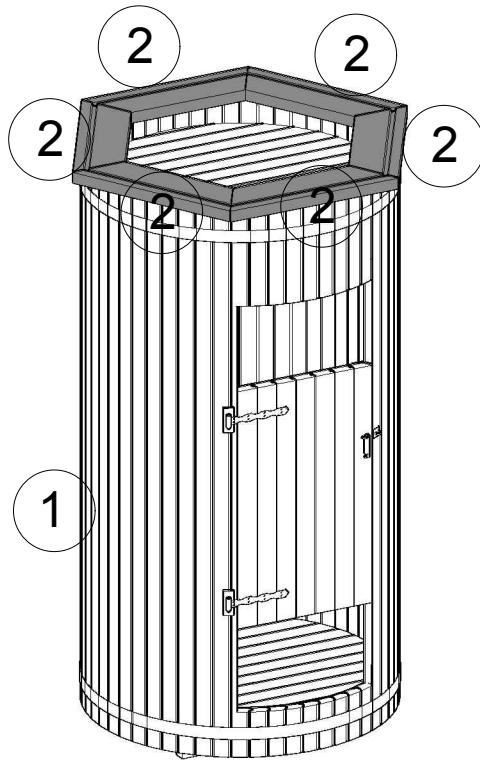


1. SHOWER

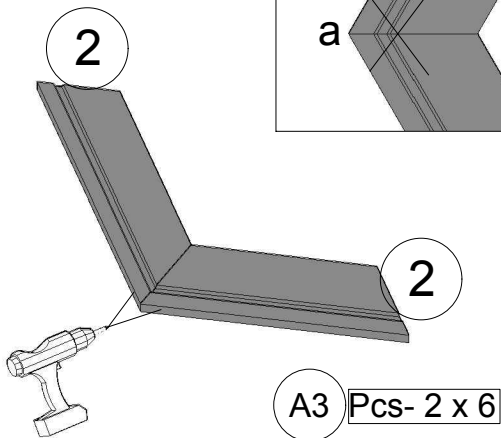
No.	Detail	Pcs	
1		1	
2		6	
3		6	



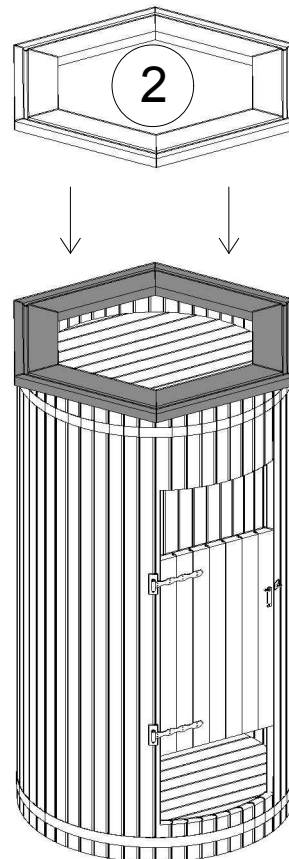
# 1. Shower



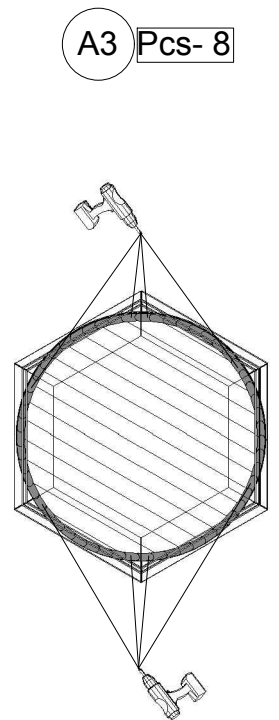
1



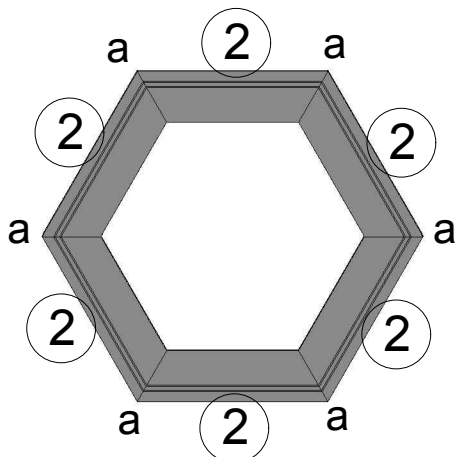
3



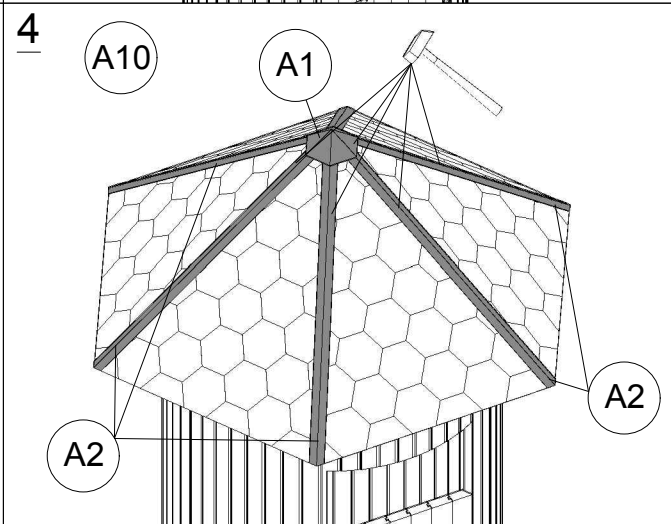
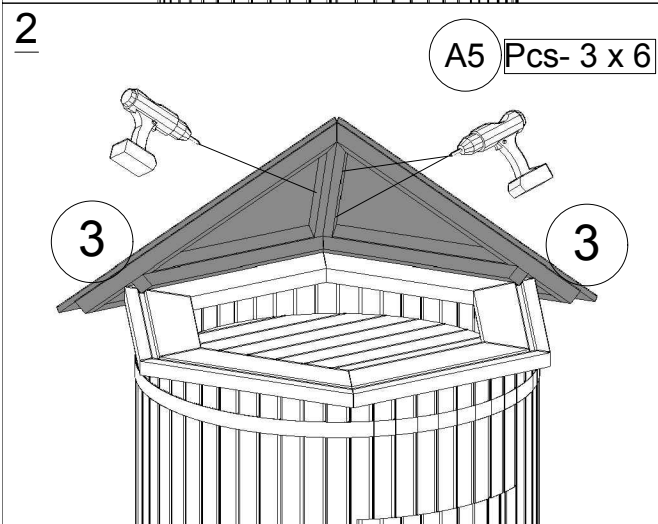
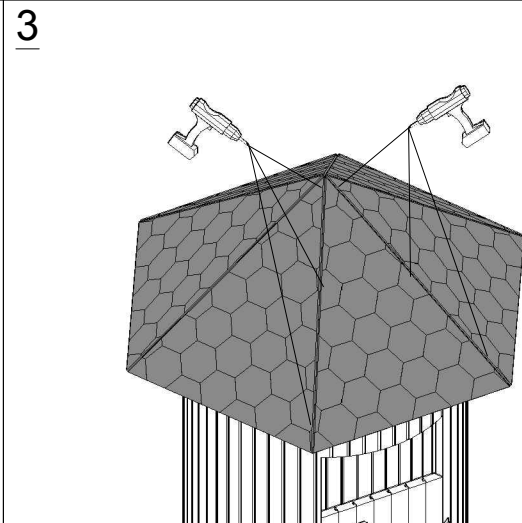
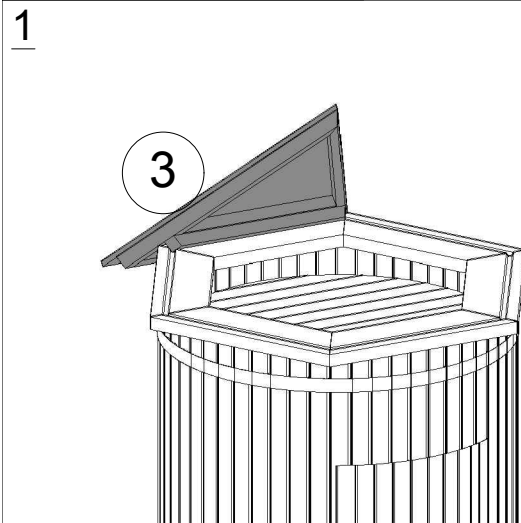
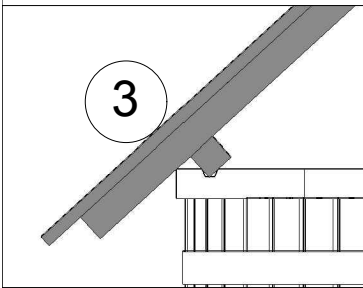
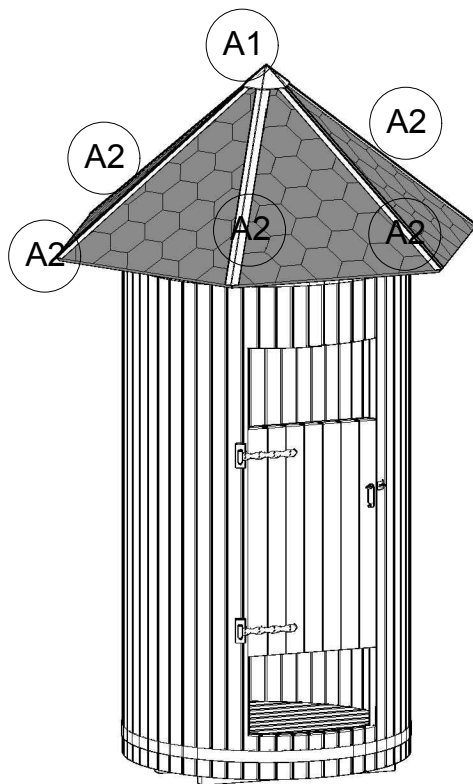
4



2



## 2. Shower



### 3. Shower

