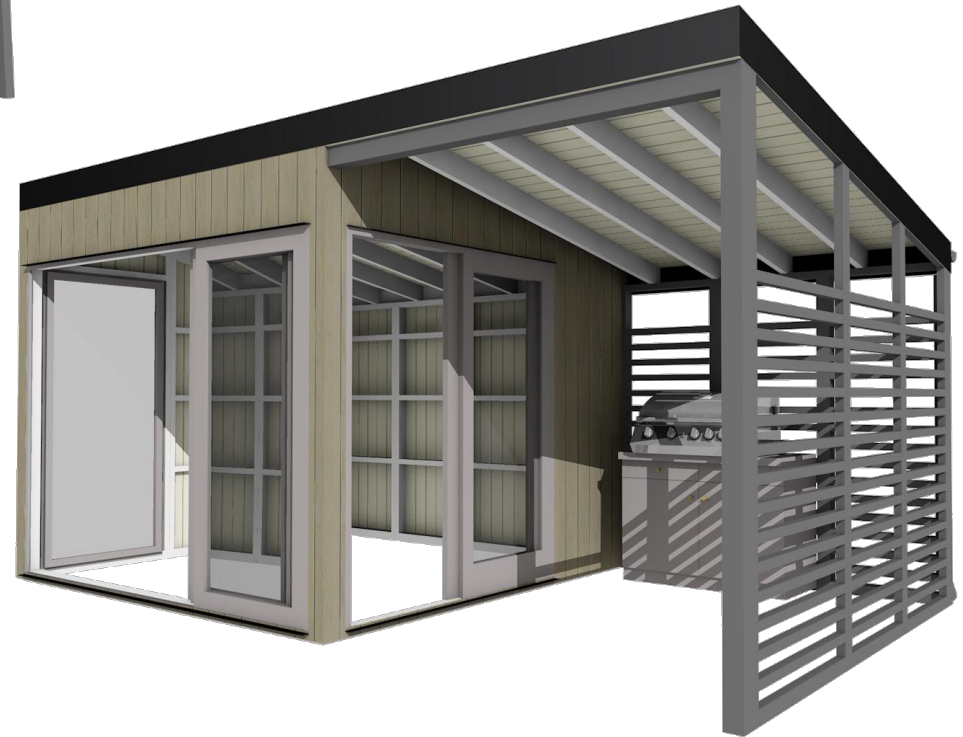
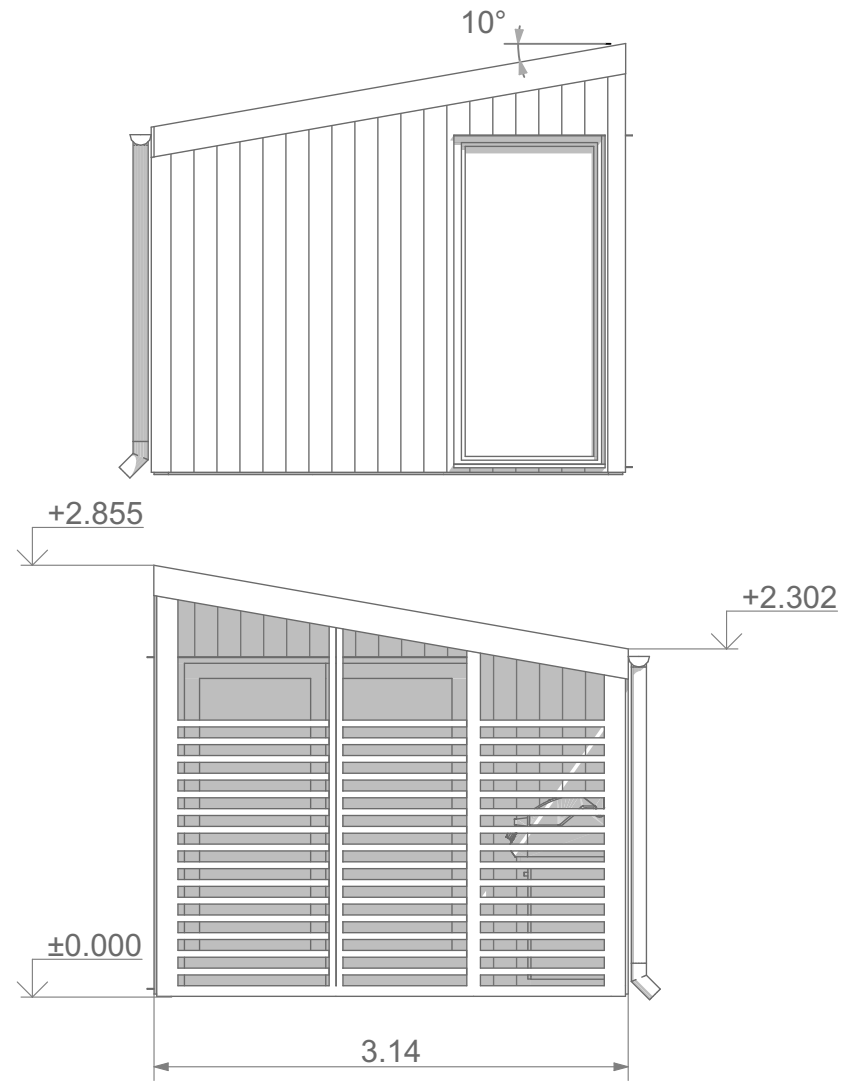
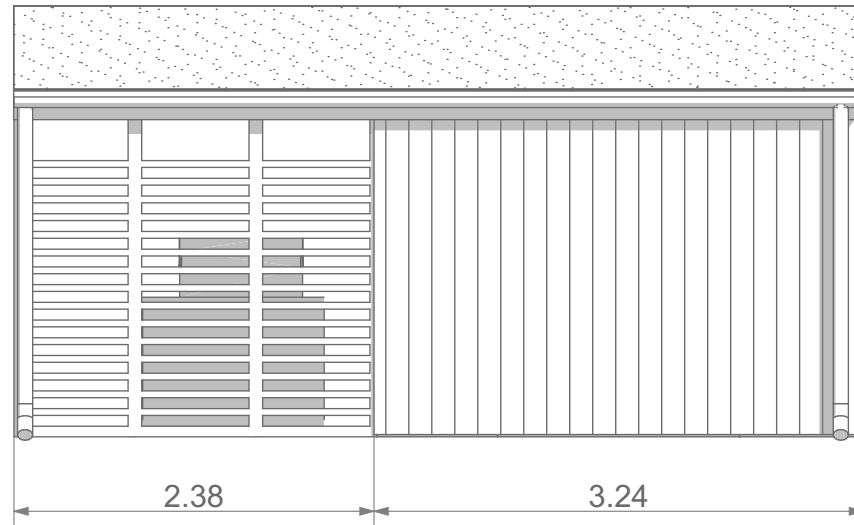


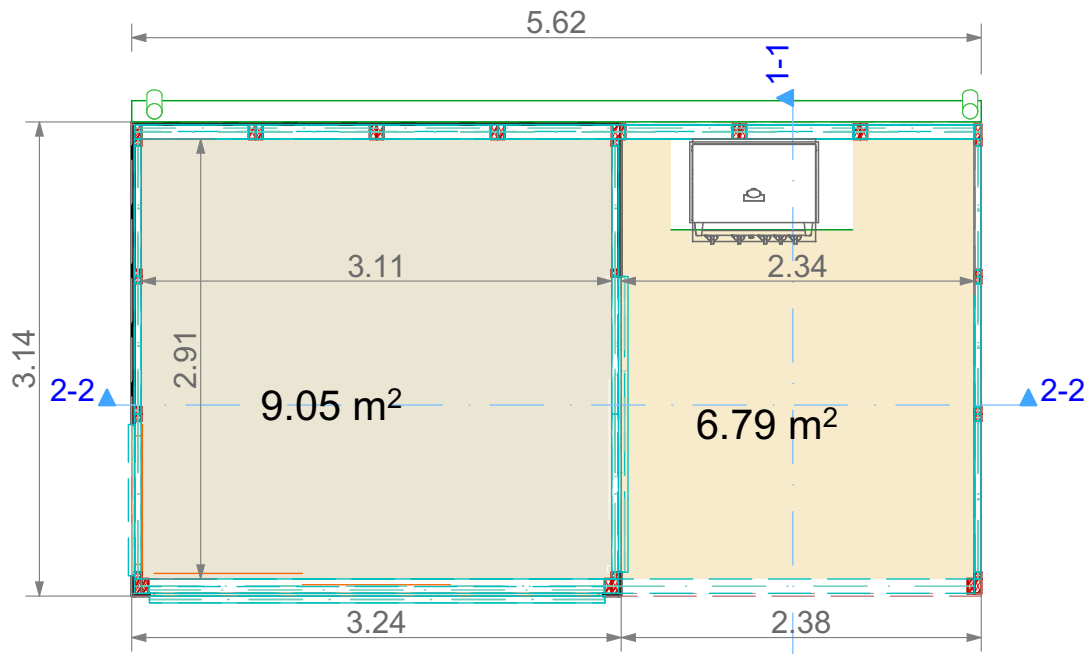
EASY CUBE 3x3+ grill extension



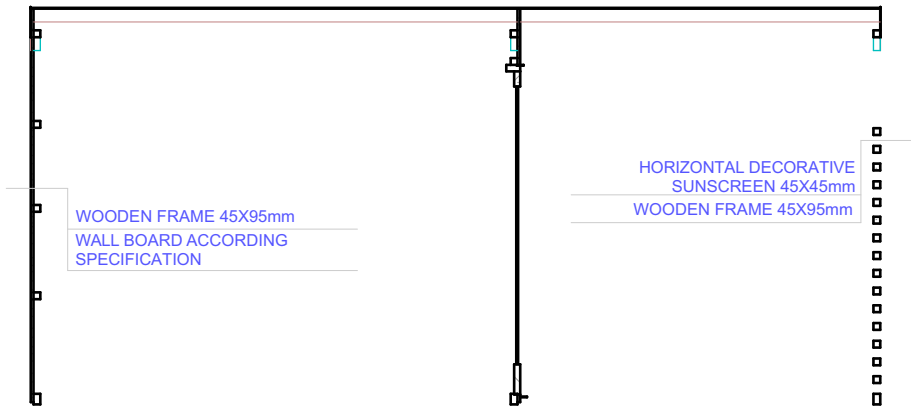
FACADES



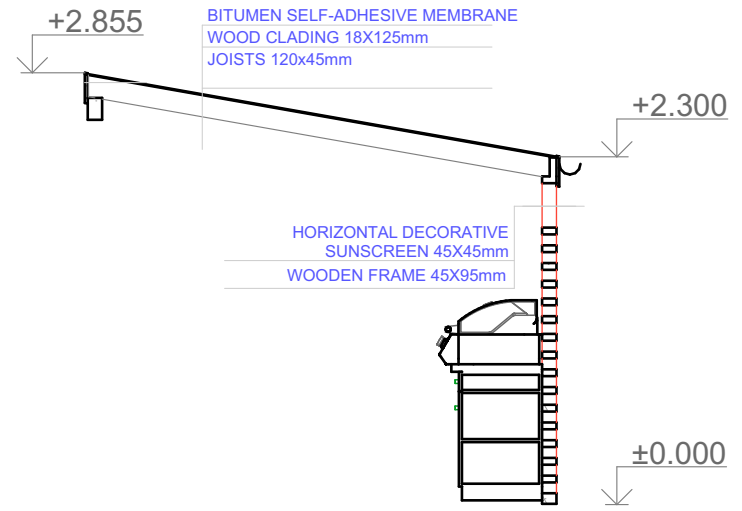
FLOOR PLAN



SECTION 2-2



SECTION 1-1



FOUNDATION PLAN

