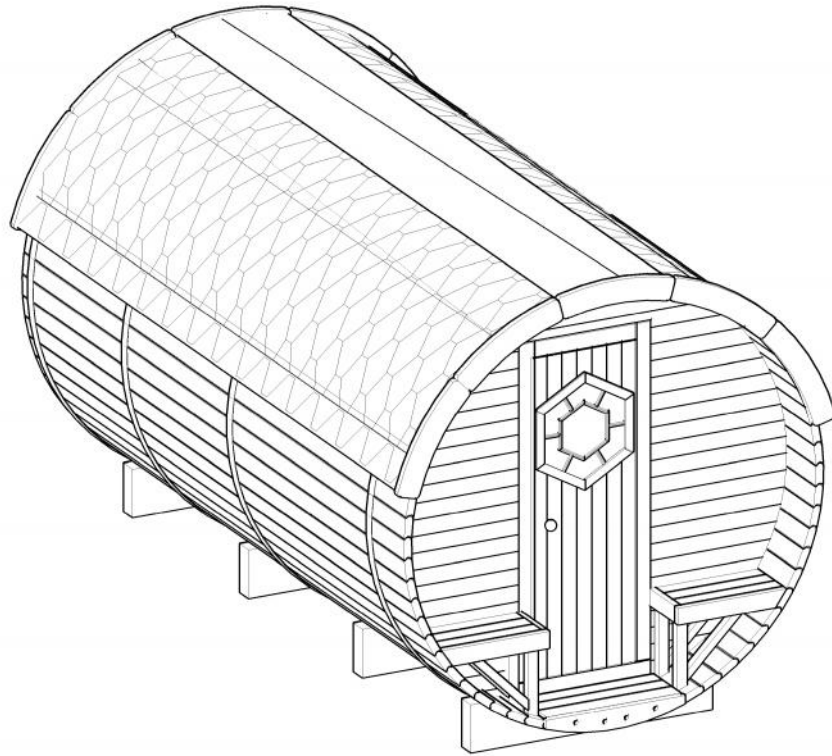
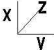



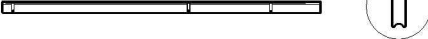
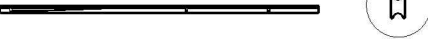
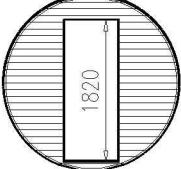
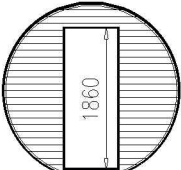
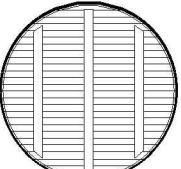
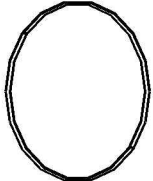


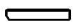
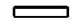



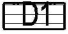
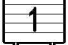


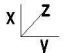
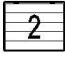
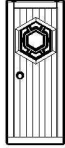










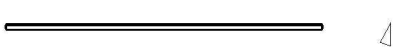









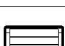
Sleeping barrel 4m. 2.2Ø



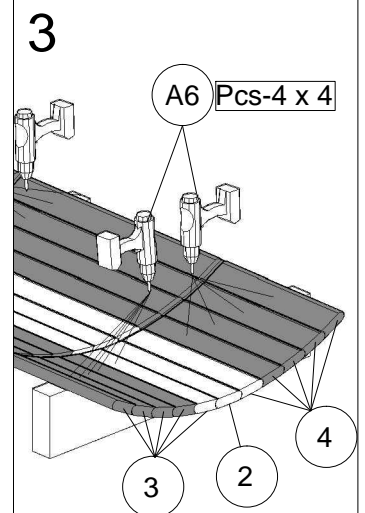
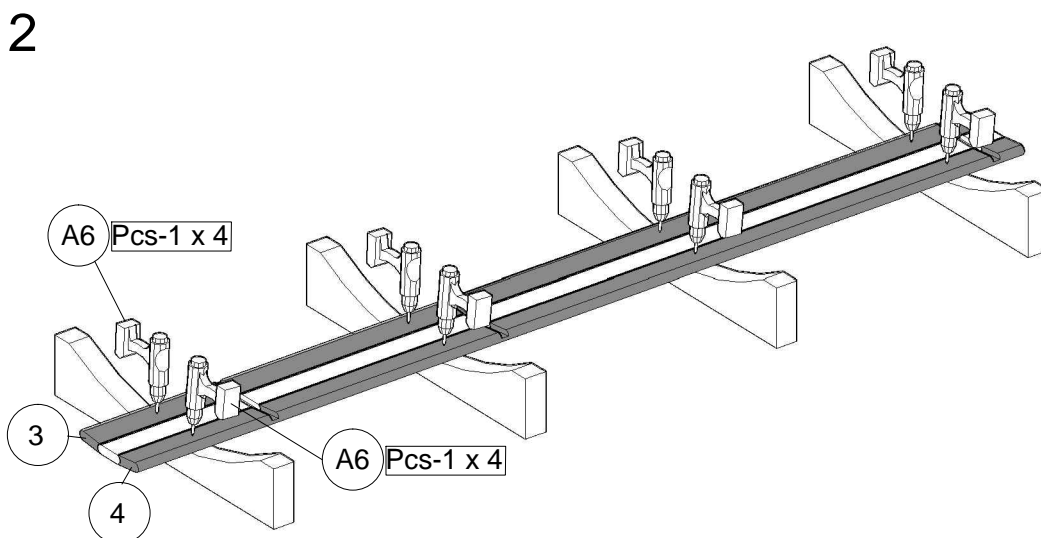
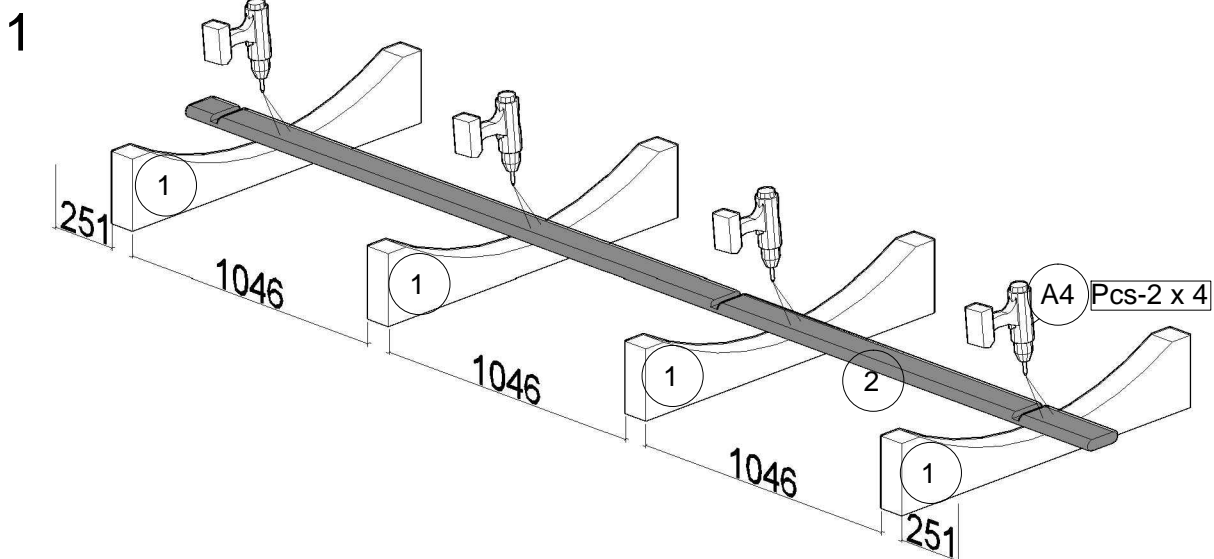
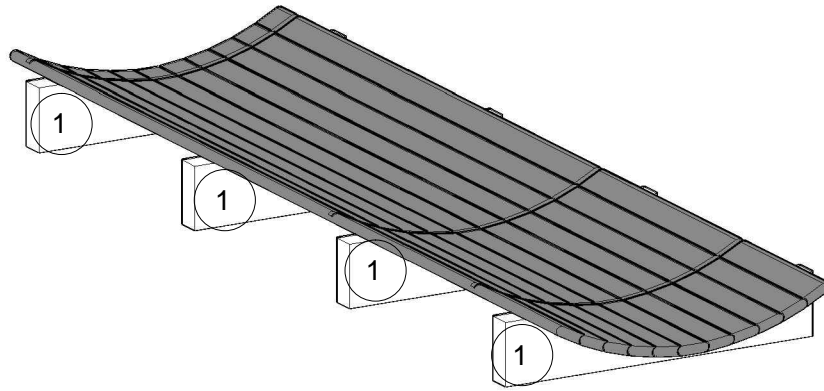
1. SLEEPING BARREL- 4м. 2.2ø

No.	 Detail	Pcs	Dimention (x, y, z) mm
1		4	245 x 1290 x 900
2		1	13 x 4000 x 38
3		29 - 40	119 x 4000 x 38
4		29 - 40	119 x 4000 x 38
5		1	76 x 4000 x 38
6		1	2200 x 2200 x 38
7		1	2200 x 2200 x 38
8		1	2200 x 2200 x 38
9		4	7220 x 50
10		1	840 x 845 x 63
11		1	95 x 900 x 18
11.1		2	95 x 780 x 18
11.2		1	95 x 655 x 18
12		2	58 x 1455 x 45
12.1		2	58 x 298 x 45
13		1	115 x 800 x 18
14		1	300 x 745 x 18
15		1	725 x 745 x 18

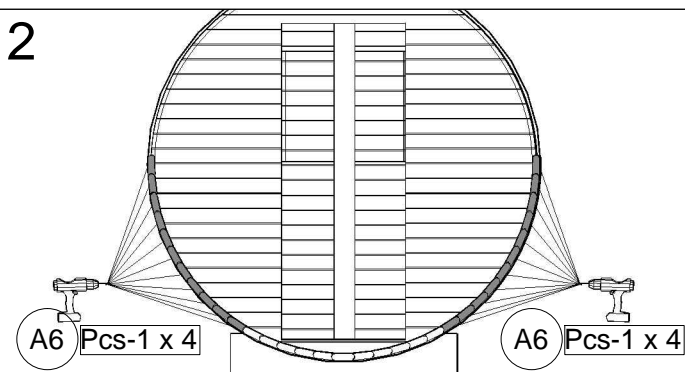
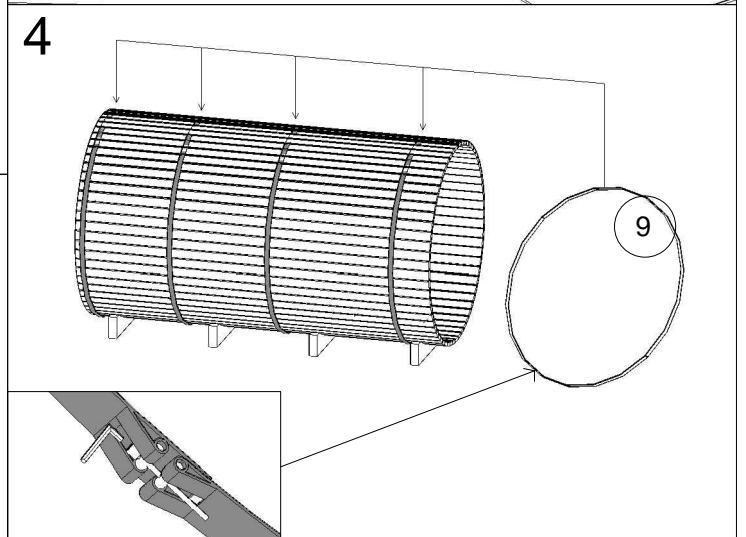
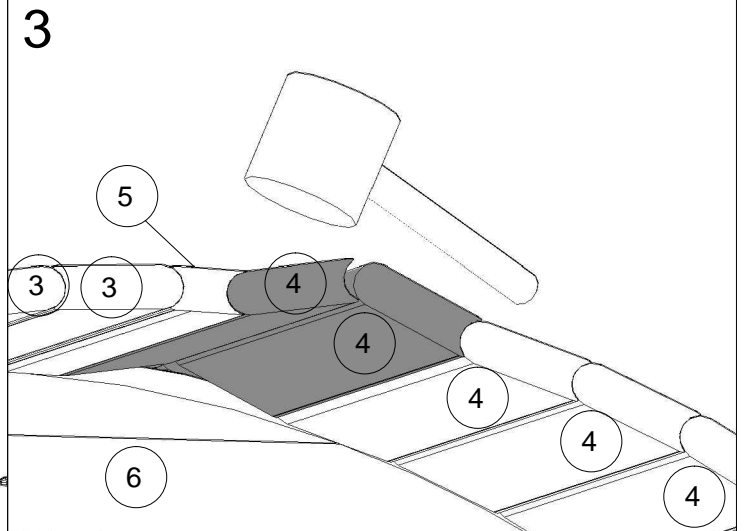
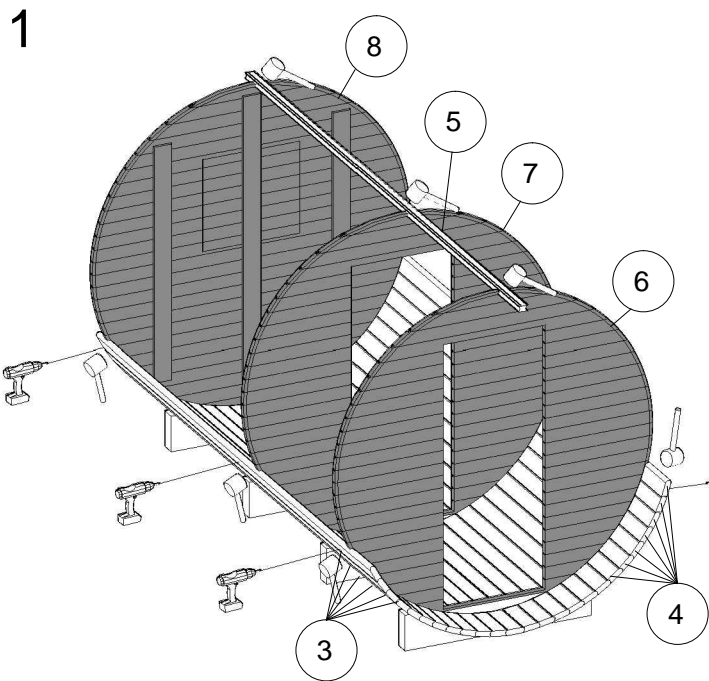
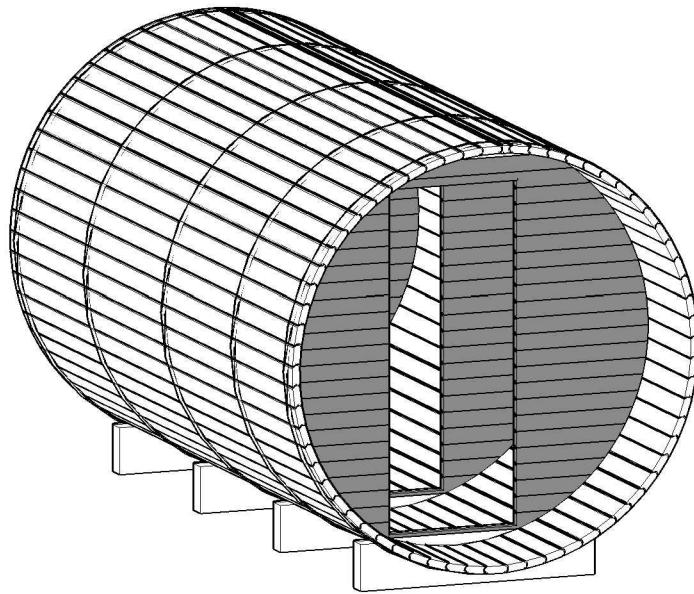
2. SLEEPING BARREL- 4M. 2.2ø

No.		Detail	Pcs	Dimention (x, y, z) mm	
15.1			1	725 x 745 x 18	
16			1	1800 x 690 x 65	
17			1	70 x 820 x 18	
17.1			2	70 x 800 x 18	
17.2			1	70 x 1770 x 18	
17.3			1	70 x 1770 x 18	
17.4			2	70 x 1832 x 18	
18			2	60 x 1310 x 38	
19			4	421 x 530 x 52	
20			2	300 x 530 x 52	
20.1			2	85 x 580 x 52	
20.2			2	85 x 256 x 52	
21			2	80 x 4000 x 30	
22			2	120 x 4000 x 18	
23			10	125 x 545 x 30	
24			2	45 x 2110 x 45	
25			2	45 x 2030 x 45	
26			2	45 x 2030 x 45	
26.1			4	45 x 750 x 45	
26.2			1	670 x 1200 x 54	
27			16	120 x 1990 x 18	
28			6	45 x 450 x 45	
29			1	510 x 710 x 45	

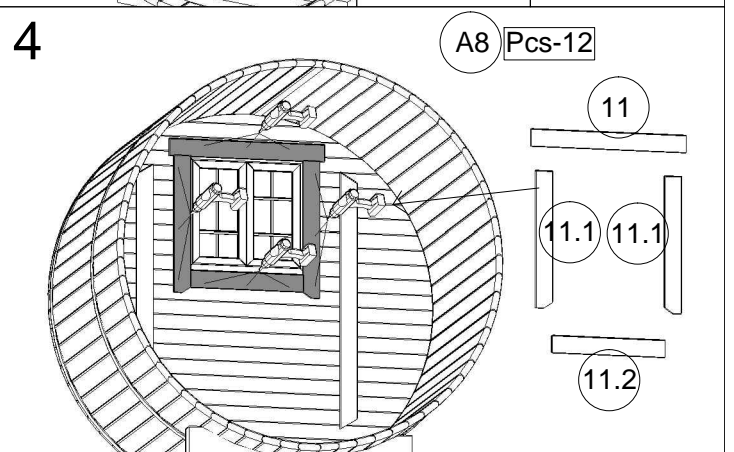
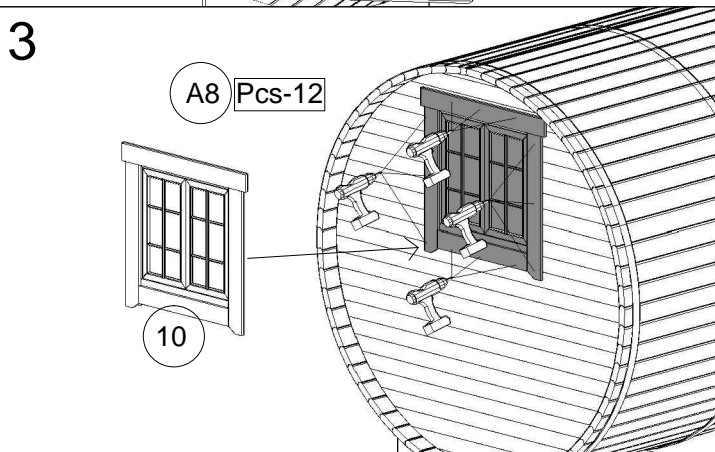
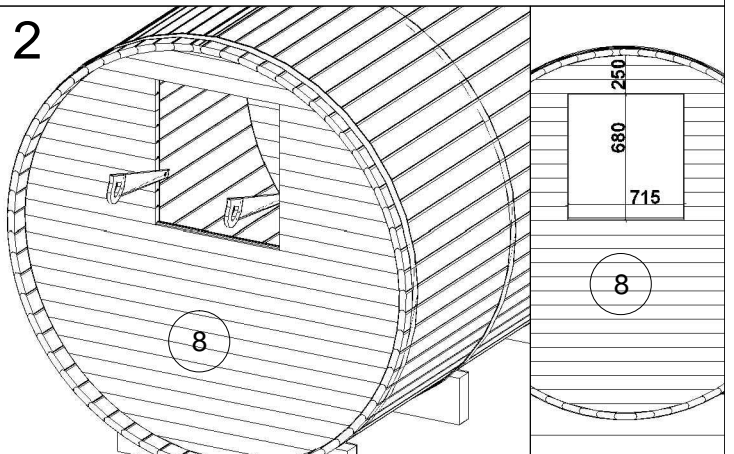
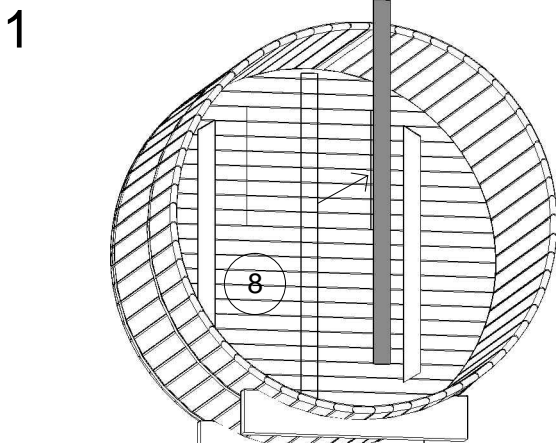
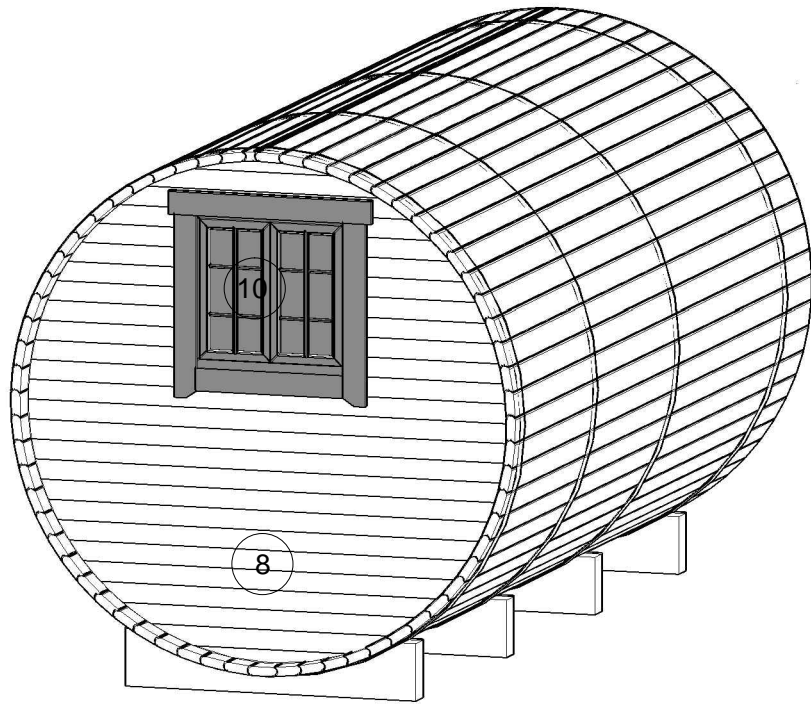
1. Sleeping barrel 4m. 2.2Ø



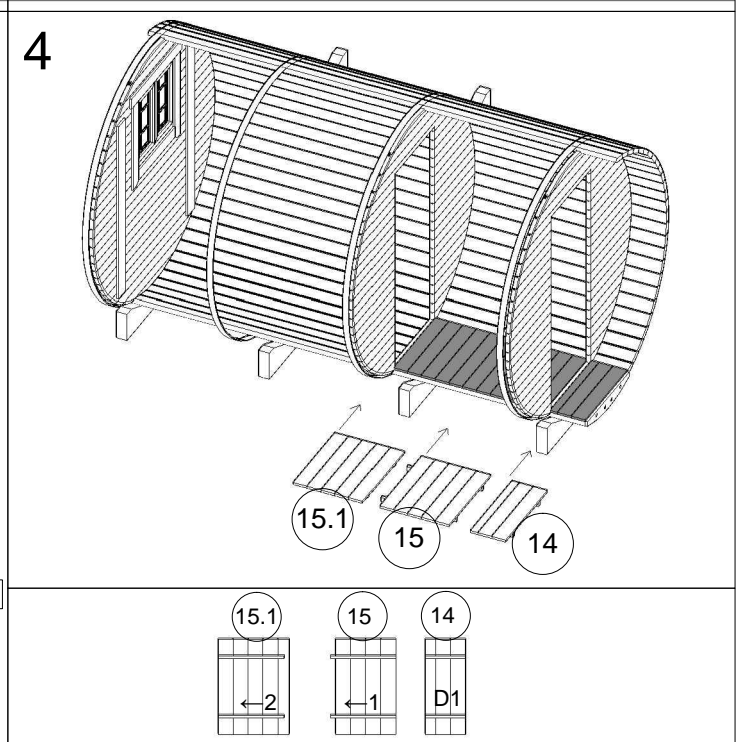
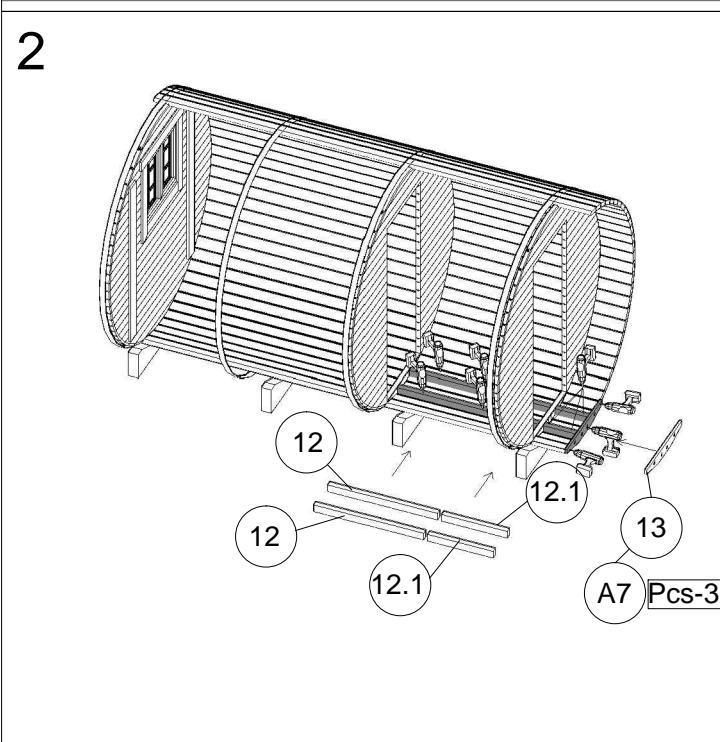
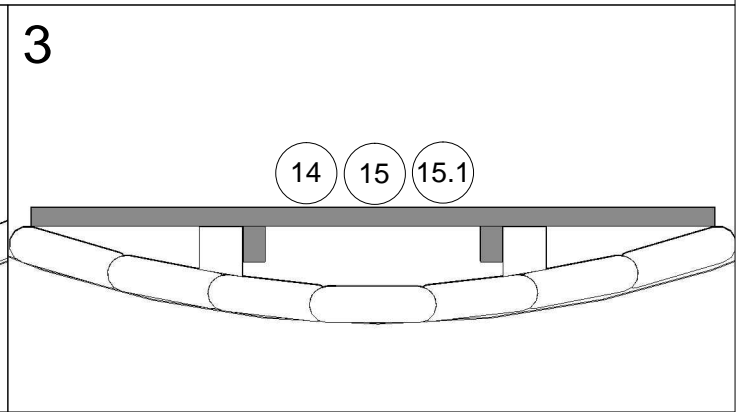
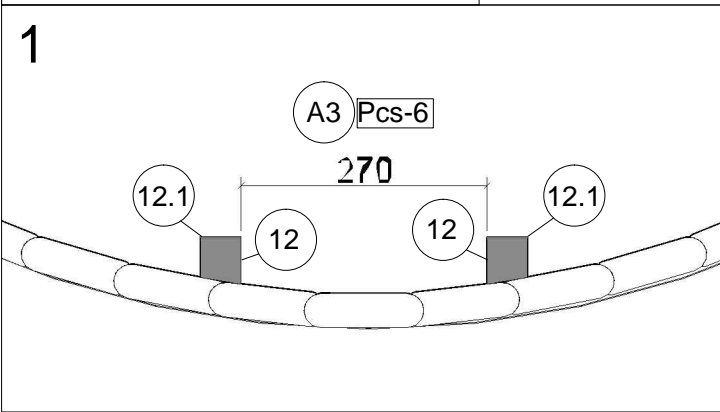
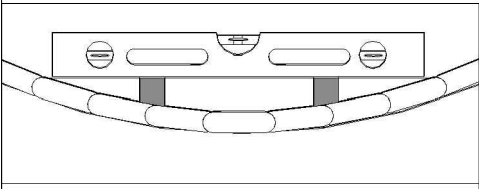
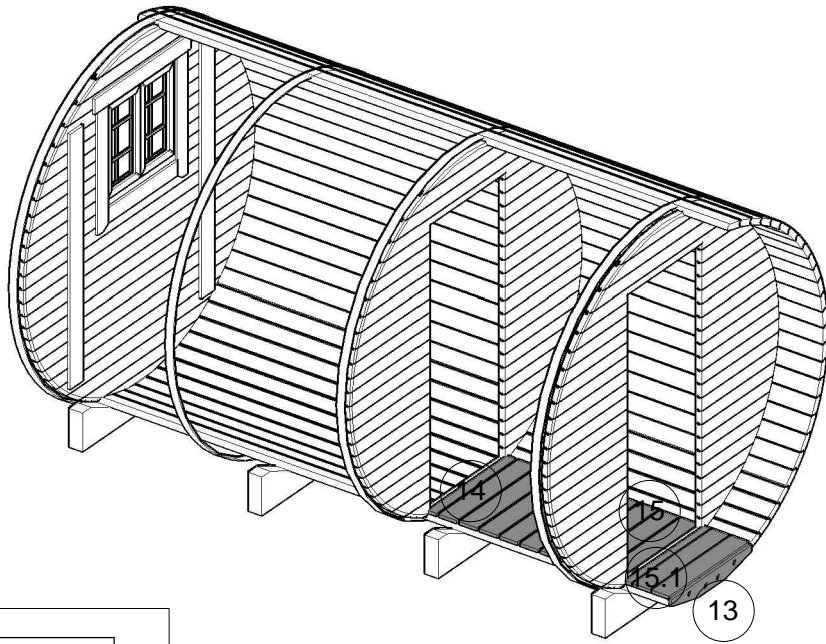
2. Sleeping barrel 4m. 2.2Ø



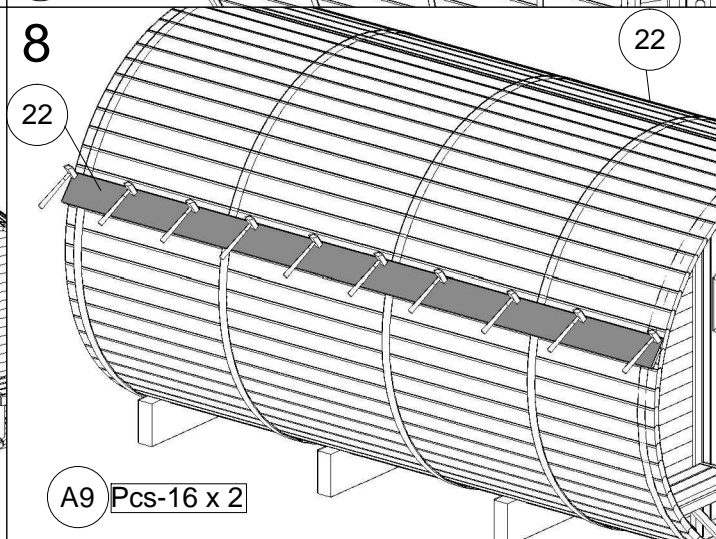
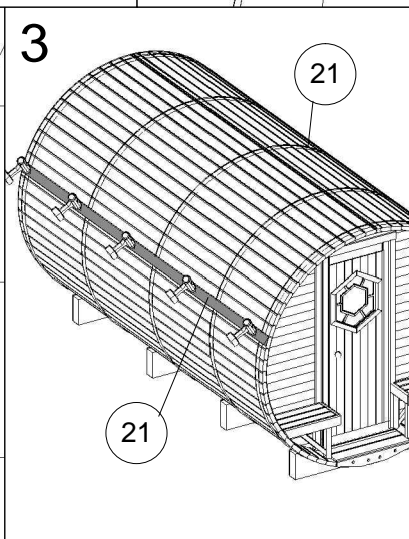
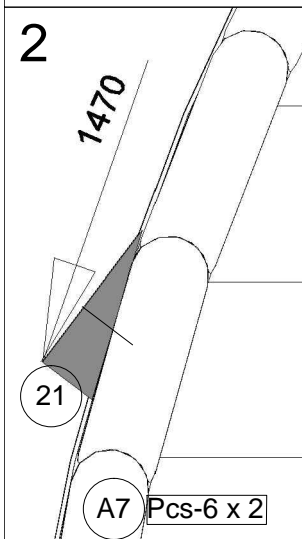
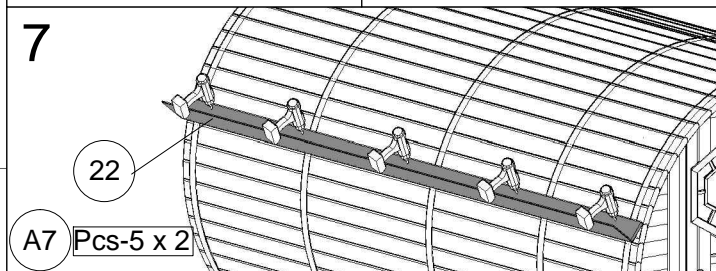
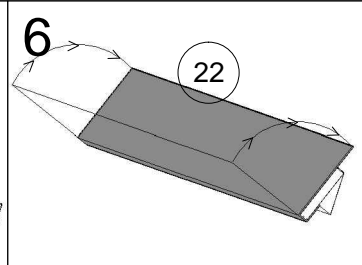
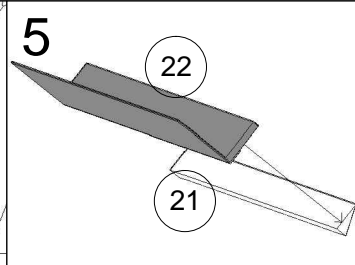
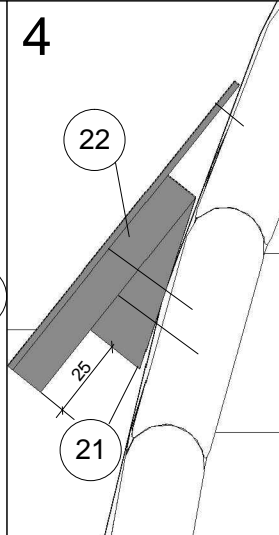
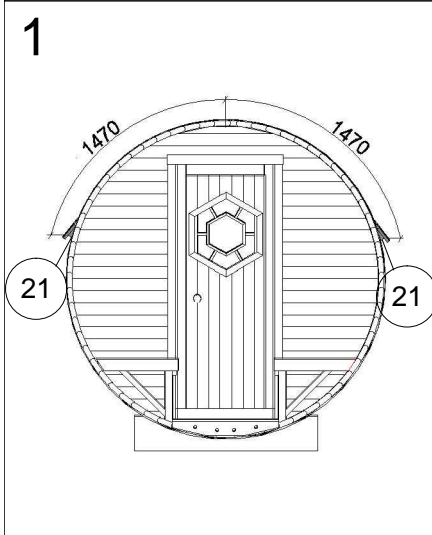
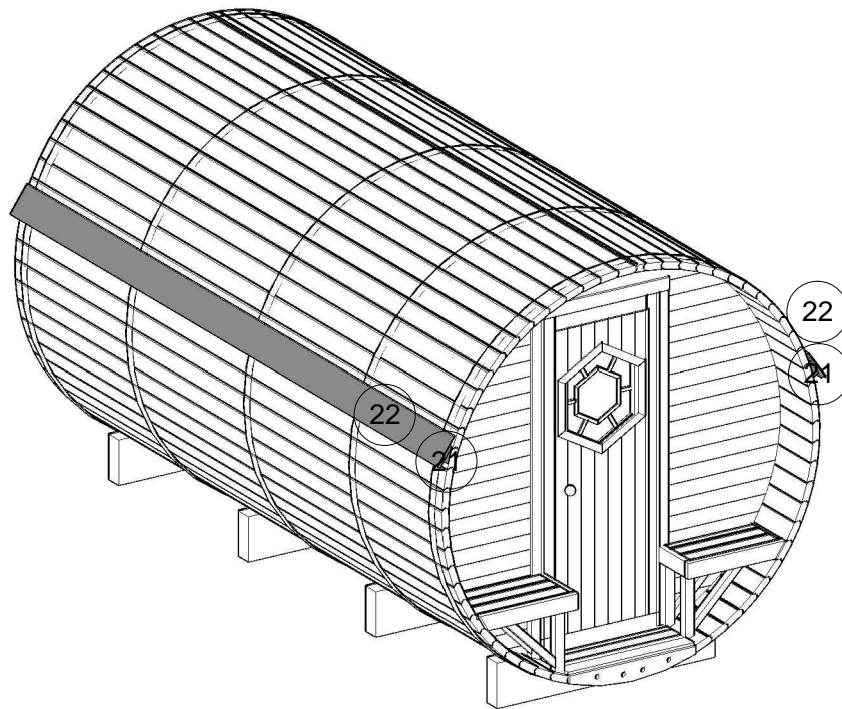
3. Sleeping barrel 4m. 2.2Ø



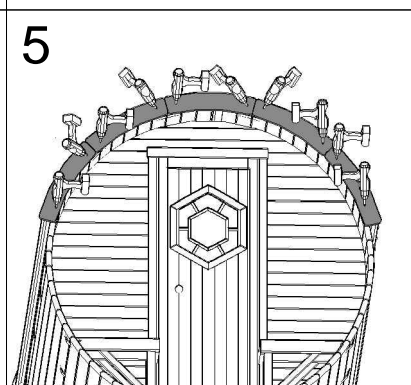
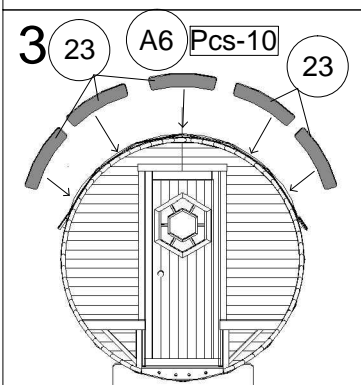
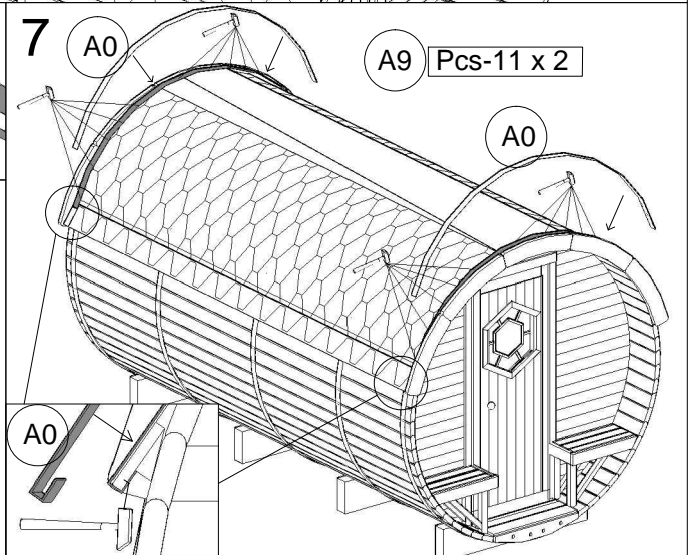
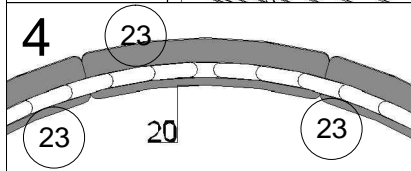
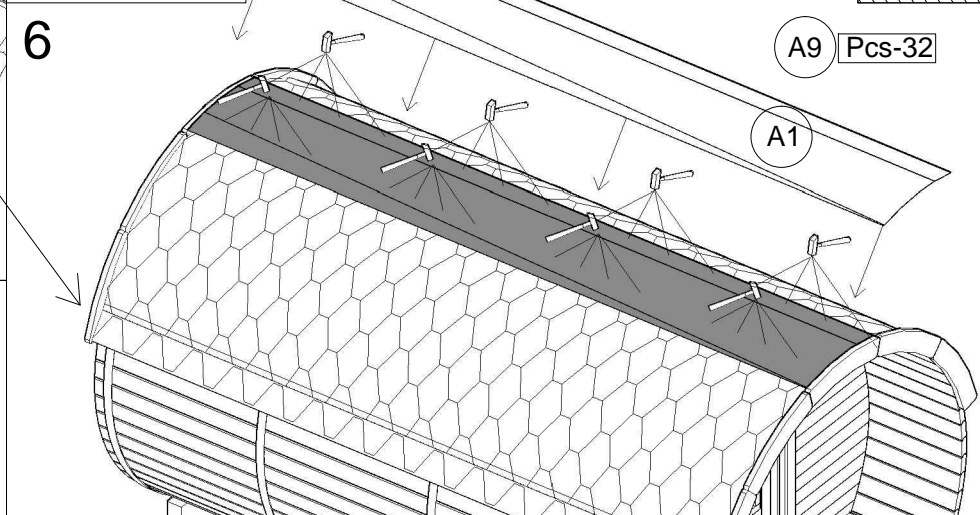
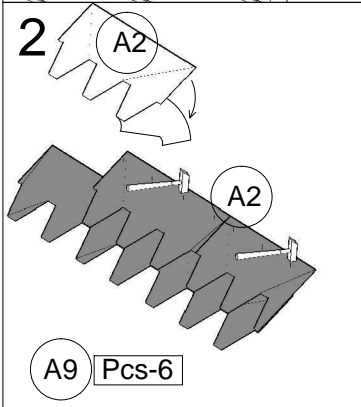
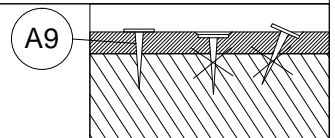
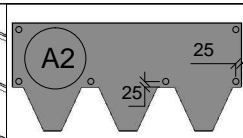
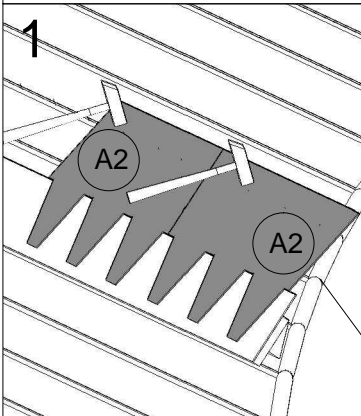
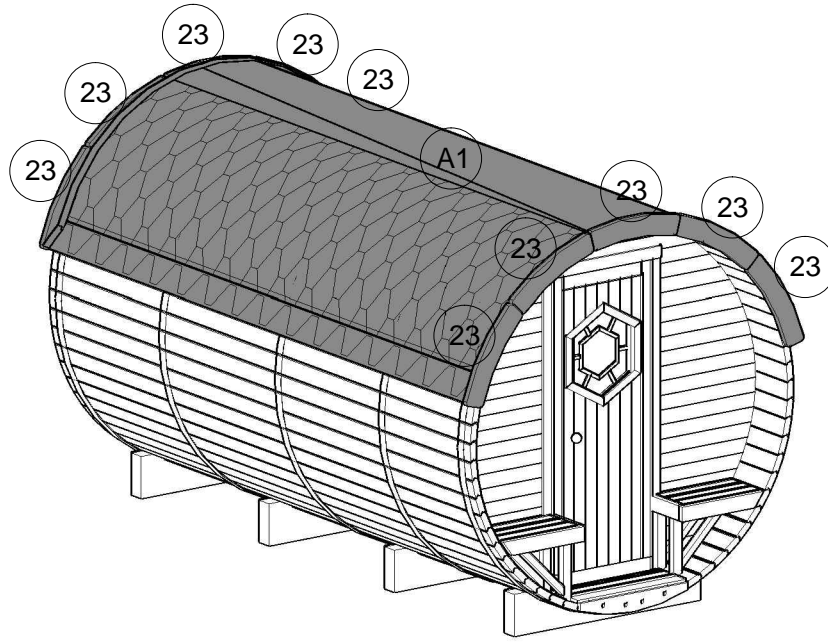
4. Sleeping barrel 4m. 2.2Ø



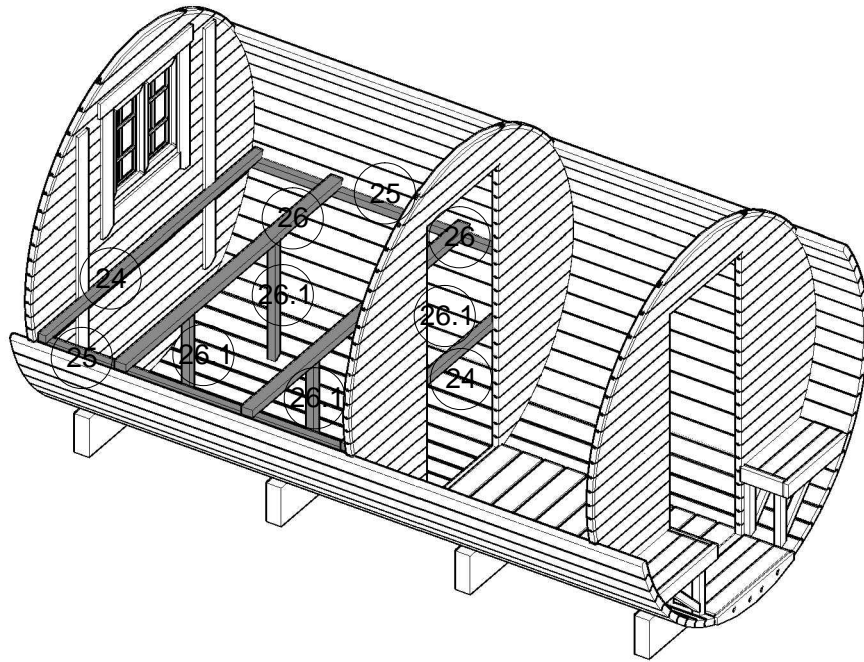
6. Sleeping barrel 4m. 2.2Ø



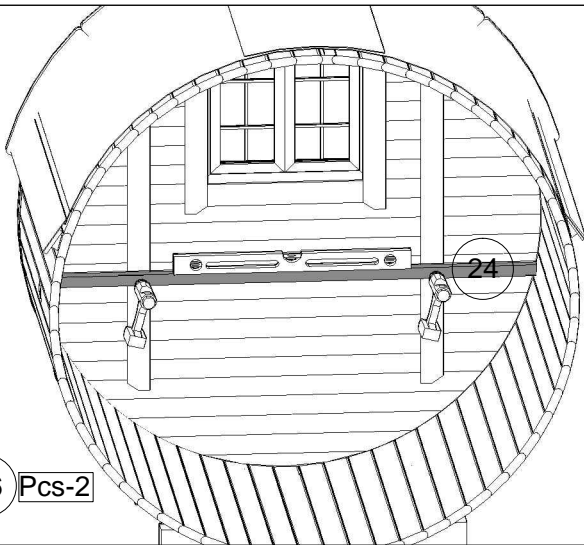
7. Sleeping barrel 4m. 2.2Ø



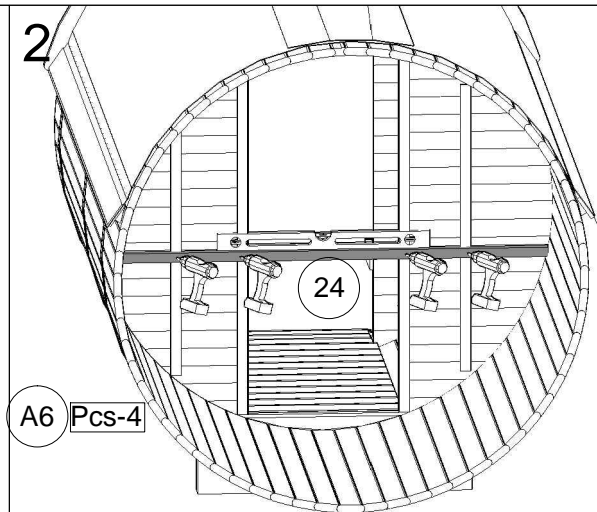
8. Sleeping barrel 4m. 2.2Ø



1



2

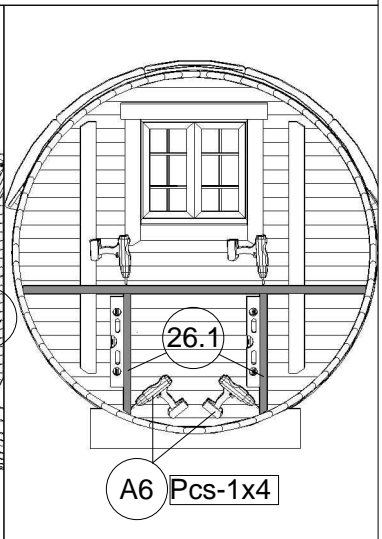
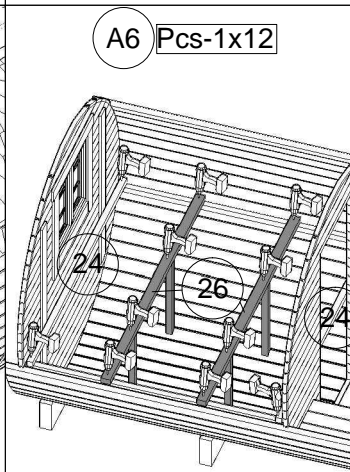
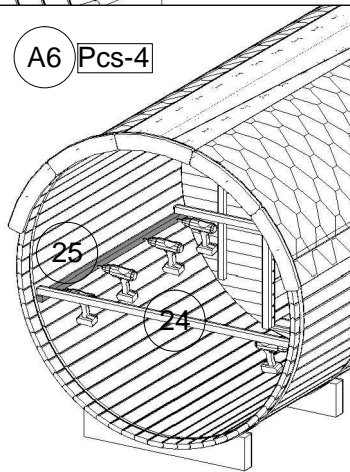
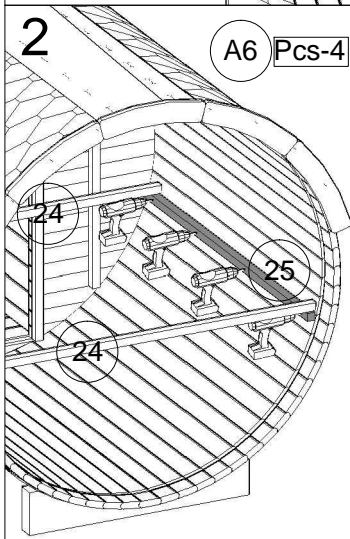


2

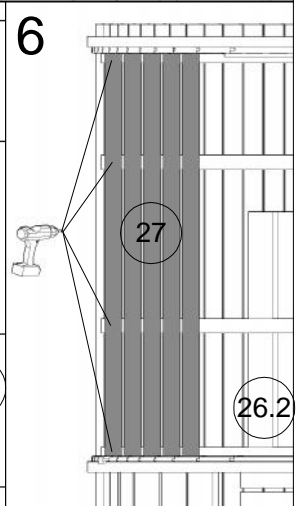
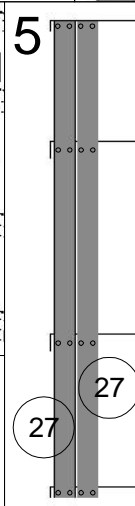
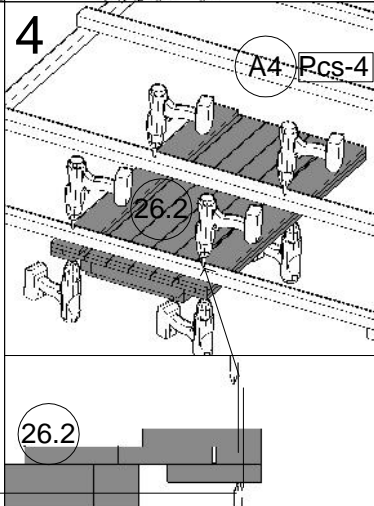
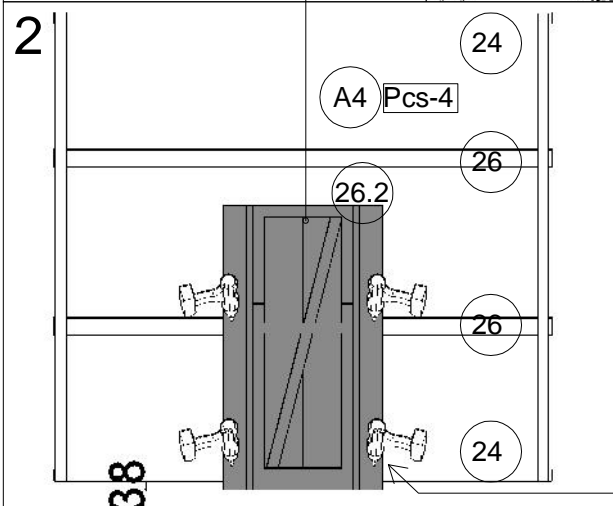
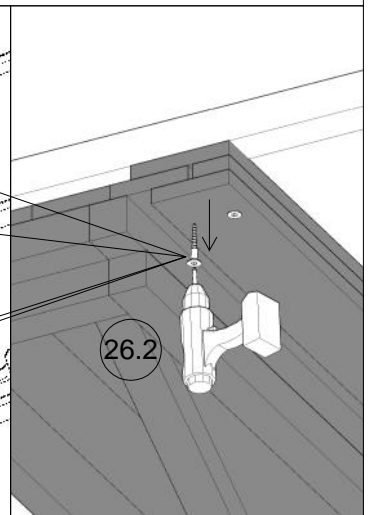
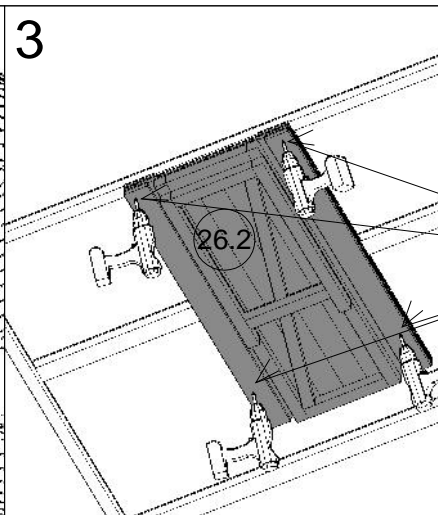
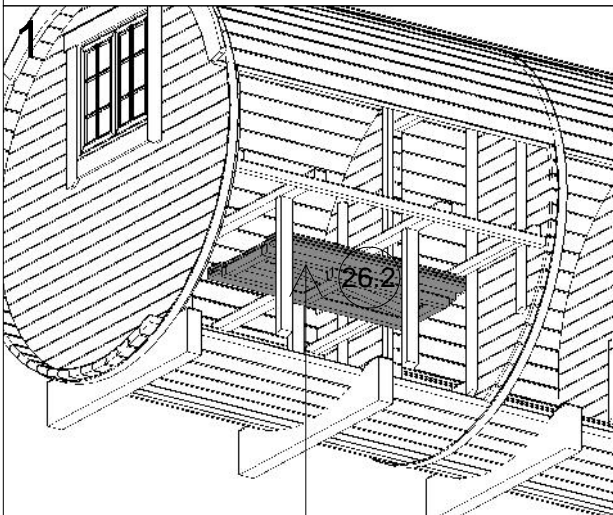
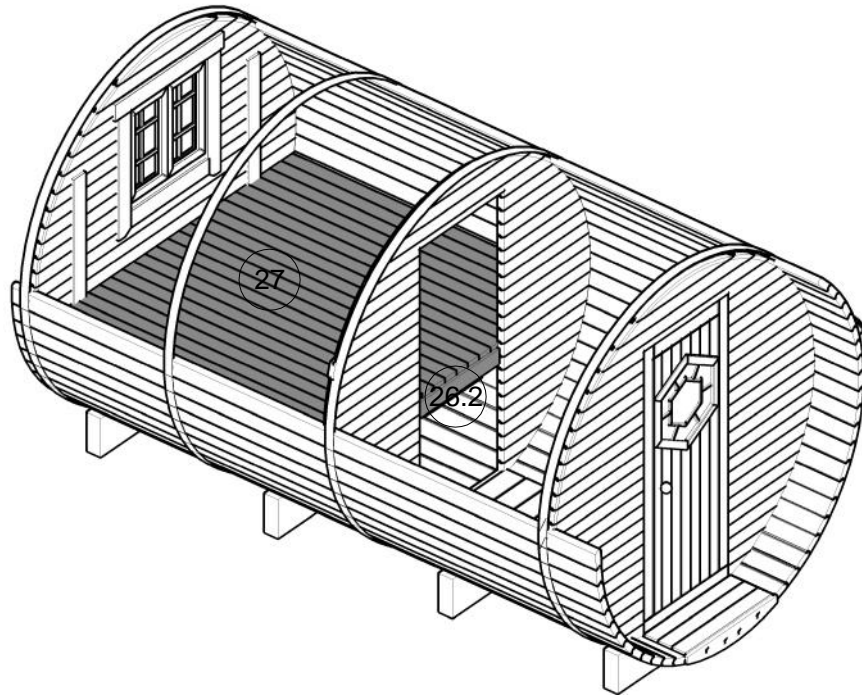
A6 Pcs-4

A6 Pcs-4

A6 Pcs-1x12



9. Sleeping barrel 4m. 2.2ø



10. Sleeping barrel 4m. 2.2ø

