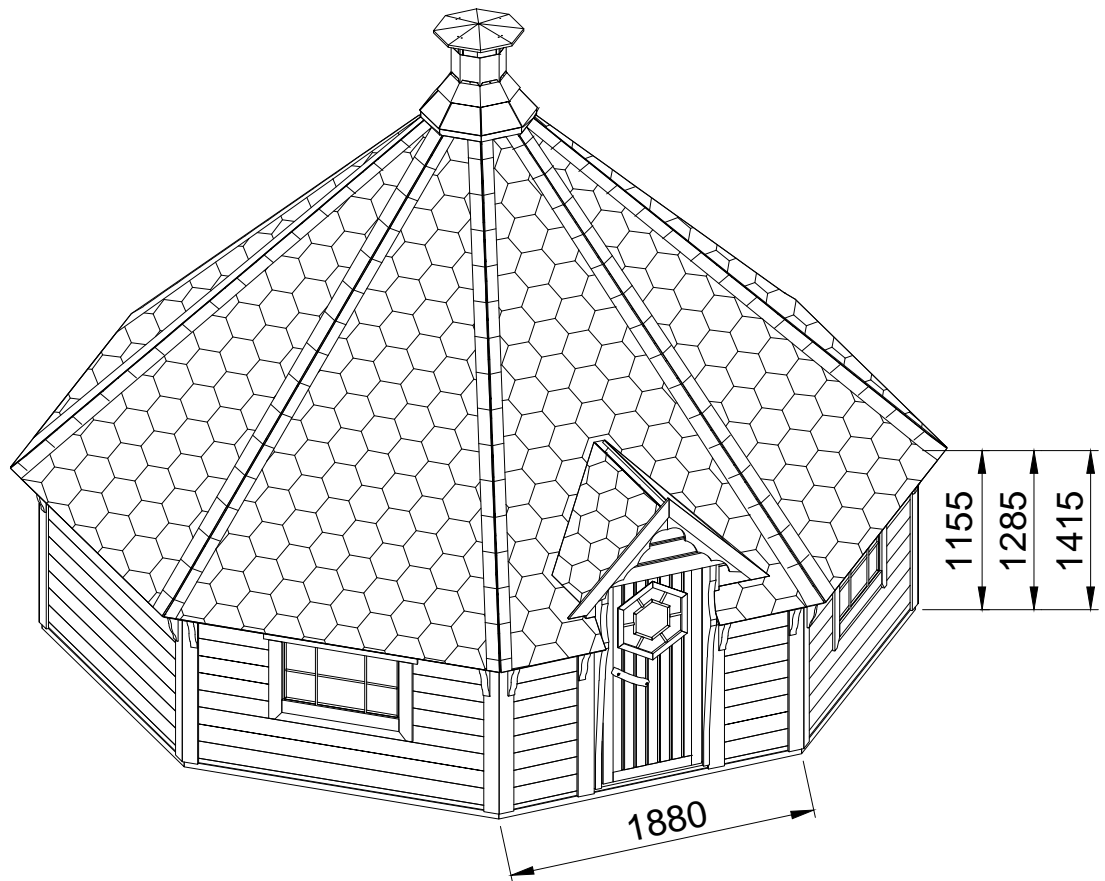
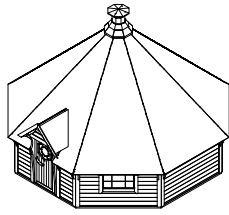


GRILL / CAMPING/ SAUNA CABIN 16.5

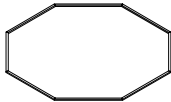


GRILL / CAMPING/ SAUNA CABIN 16.5

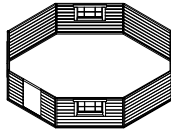
Grill/Camping cabin



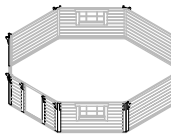
1. Step:
wood ring



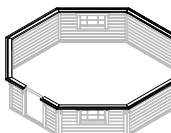
2. Step:
walls



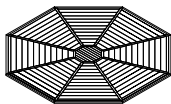
3. Step:
decoration (support)



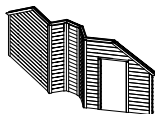
4. Step:
roof support ring



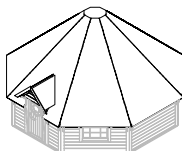
5. Step:
floors



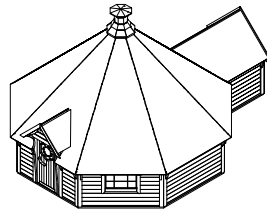
6. Step:
inside wall



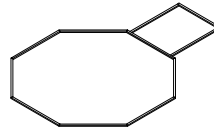
7. Step:
roof



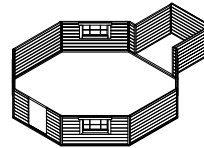
Grill+Extension



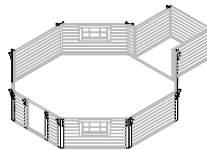
1. Step:
wood ring



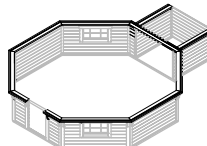
2. Step:
walls



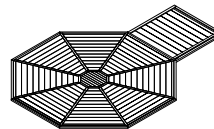
3. Step:
decoration (support)



4. Step:
roof support ring



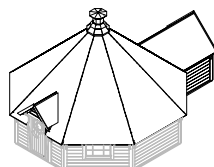
5. Step:
floors



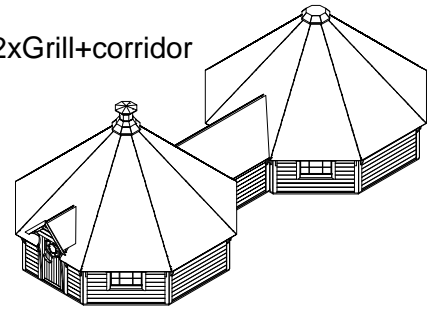
6. Step:
inside wall



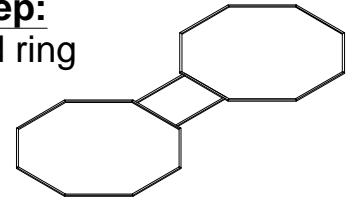
7. Step:
roof



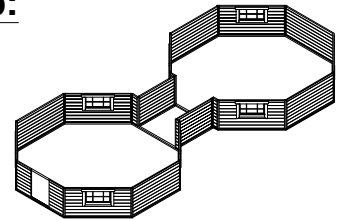
2xGrill+corridor



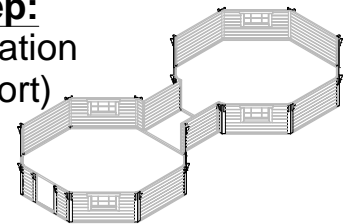
1. Step:
wood ring



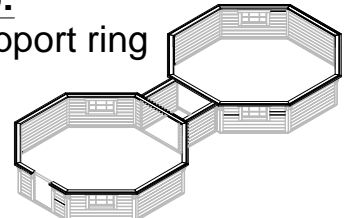
2. Step:
walls



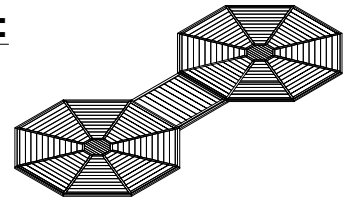
3. Step:
decoration
(support)



4. Step:
roof support ring



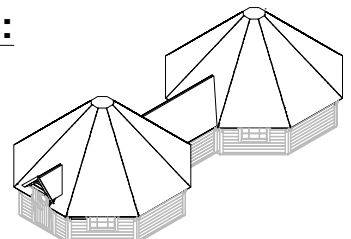
5. Step:
floors



6. Step:
inside wall



7. Step:
roof



Grill / Camping / Sauna cabin 16.5 Foundation

It is very important to have a proper foundation.

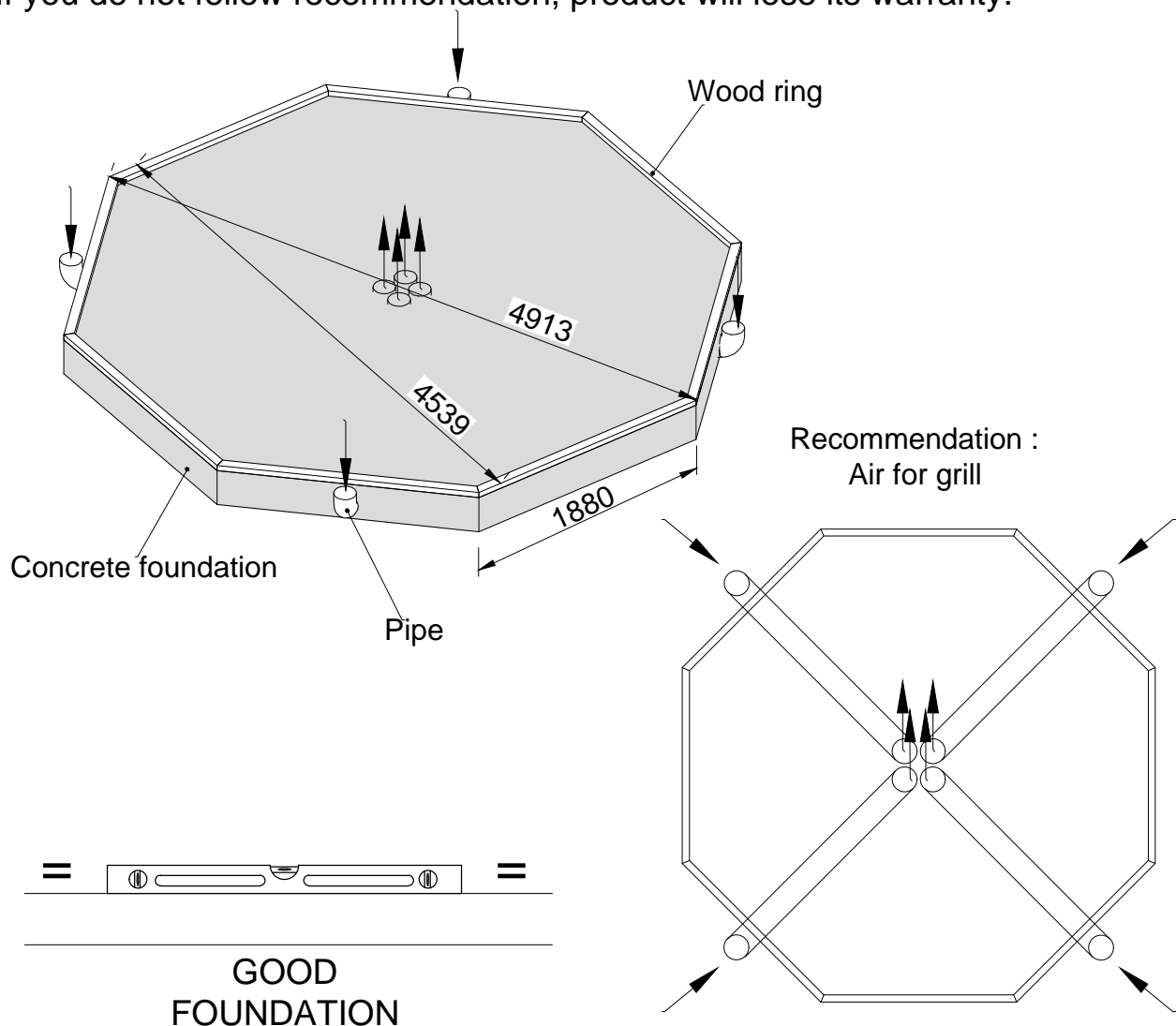
Therefore we recommend making the foundation according to the sketches here. First of all, foundation must be prepared according to the landscape and ground conditions.

The foundation under the product must be prepared specially, it must be homogeneous, tight and equal. It must be ensured that it will not change its properties. We recommend using concrete foundation. Before installation of product, we recommend to make hydro isolation of foundation.

Consult a local qualified builder or an engineer to prepare a proper foundation, which fits to your location.

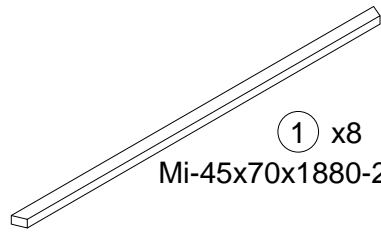
Due to improper foundation, cracks in the structures may occur. Due to uneven product seating, the geometric shape of the product may change, which can result in door / window twist, or/and gap may appear. And in the worst case product 's collapse.

If you do not follow recommendation, product will lose its warranty.

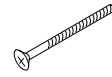


1. Grill / Camping / Sauna cabin 16.5

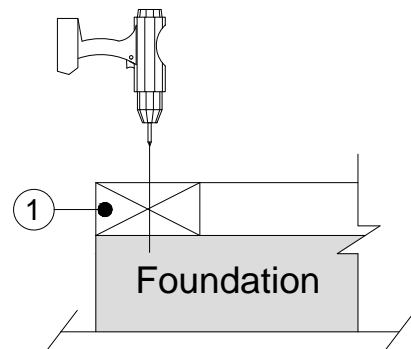
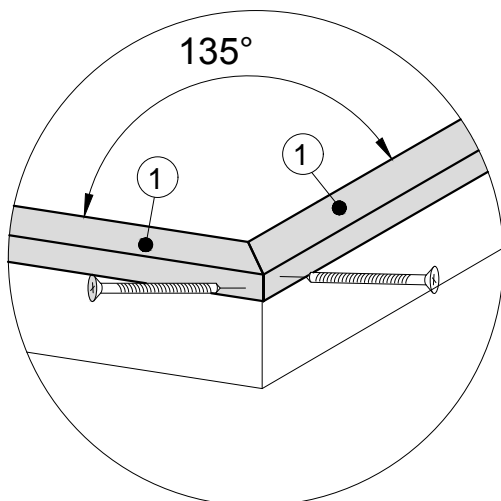
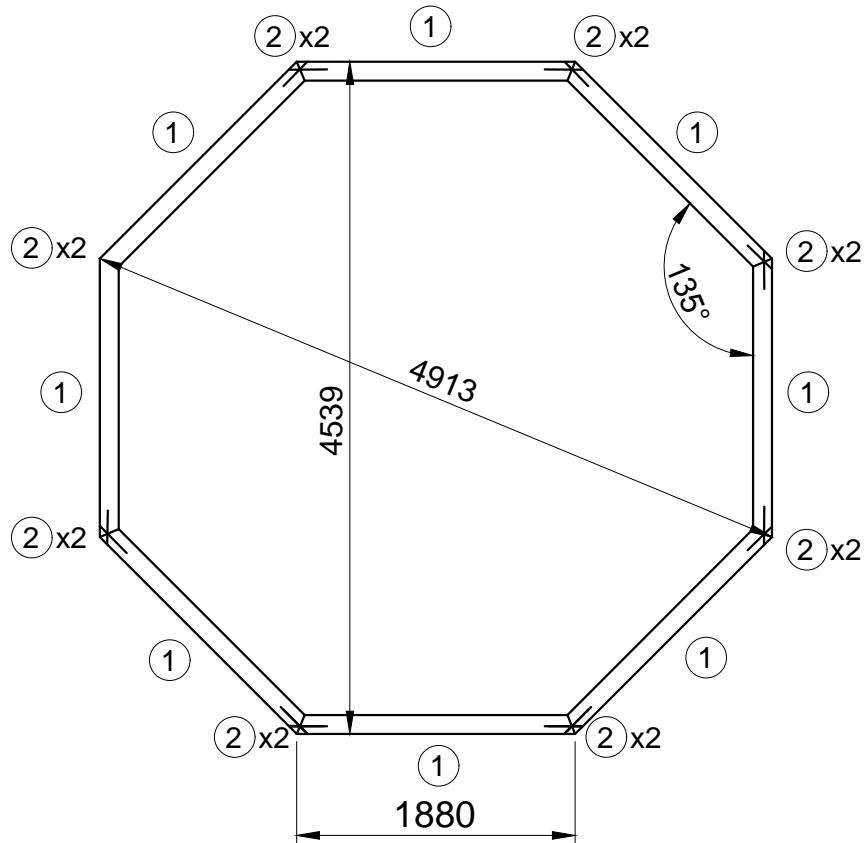
Wood ring-foundation



① x8
Mi-45x70x1880-2x22.5F



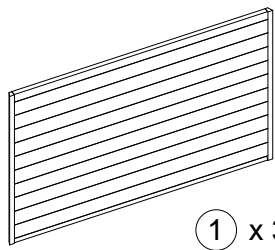
② x16
T-GC-5x100



We recommend fix to base

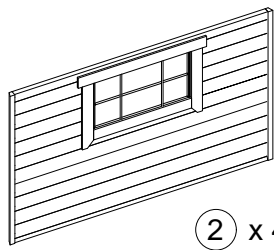
2. Grill / Camping / Sauna cabin 16.5

WALLS CONNECTION



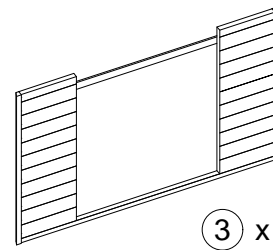
① x 3

GR16.5-S-1155x1880
or
GR16.5-S-1285x1880
or
GR16.5-S-1415x1880



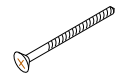
② x 4

GR16.5-SL-1155x1880
or
GR16.5-SL-1285x1880
or
GR16.5-SL-1415x1880



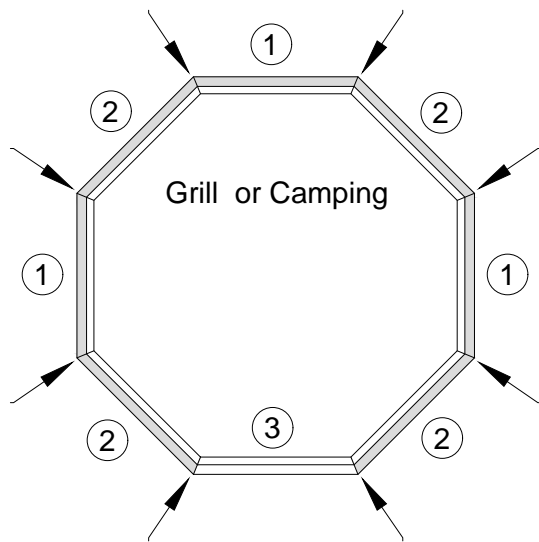
③ x 1

GR16.5-SD-1285x1880-A850 or (A1070)
or
GR16.5-SD-1415x1880-A850 or (A1070)



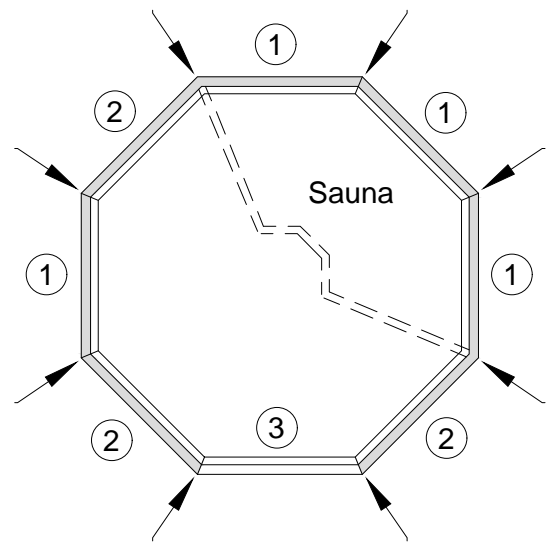
④ x64

T-GC-5x100



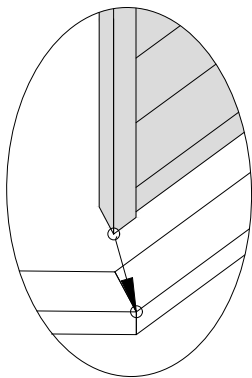
Grill or Camping

OR

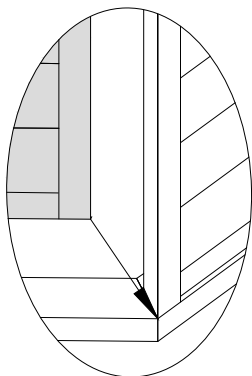


Sauna

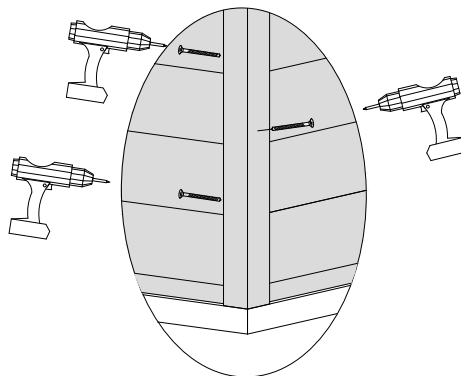
1 Step



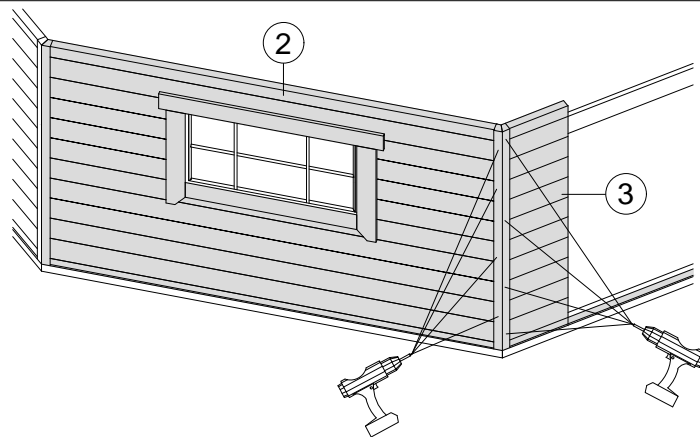
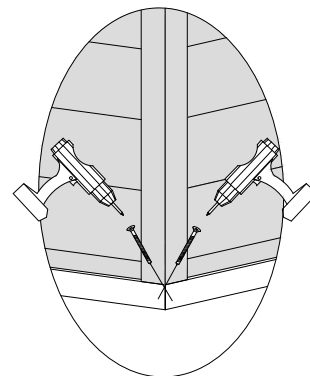
2 Step



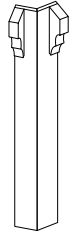
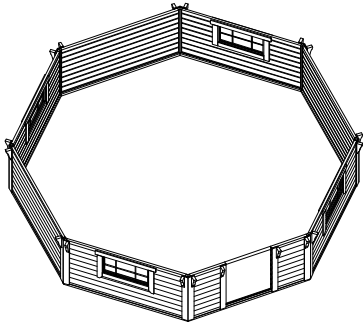
3 Step



4 Step



3. Grill / Camping / Sauna Cabin 16.5 DECORATION (SUPPORT) OUTSIDE



① x8

GR-8k-Apd-1155
or
GR-8k-Apd-1285
or
GR-8k-Apd-1415



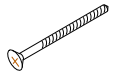
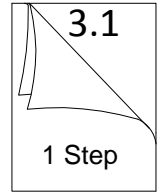
② x1

GR-Apd(k)-1155
or
GR-Apd(k)-1285
or
GR-Apd(k)-1415



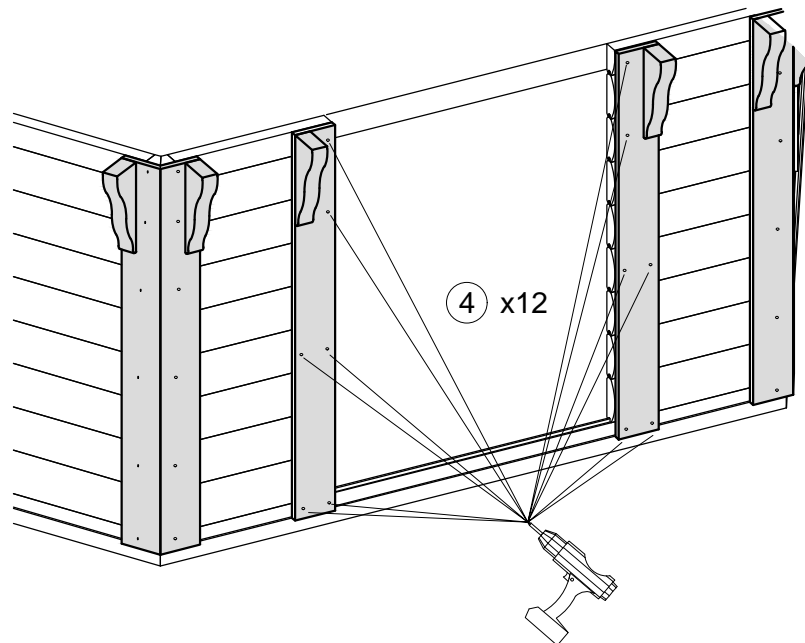
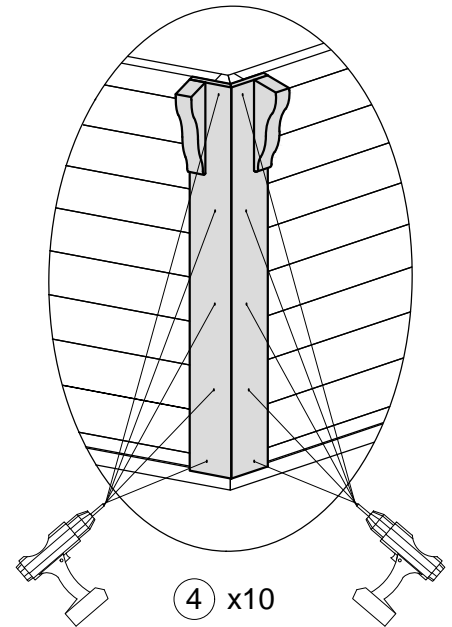
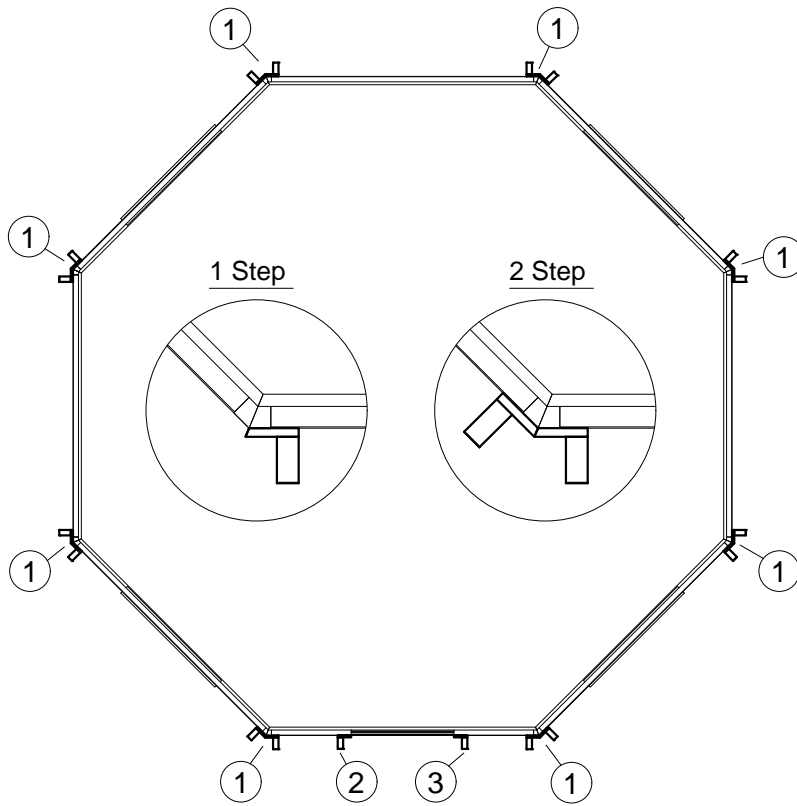
③ x1

GR-Apd(d)-1155
or
GR-Apd(d)-1285
or
GR-Apd(d)-1415

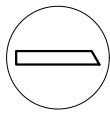


④ x92

T-BC-4x50

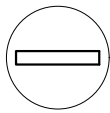


3.1 Grill / Camping Cabin 16.5 DECORATION (SUPPORT) OUTSIDE



1 x16

M-18x95x1155-F
or
M-18x95x1285-F
or
M-18x95x1415-F



2 x2

M-18x95x1155
or
M-18x95x1285
or
M-18x95x1415



3 x18

M-45x95x270-CNC



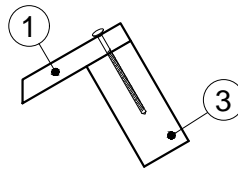
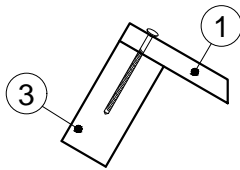
4 x18

T-BC-4x70

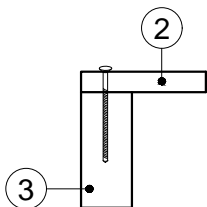
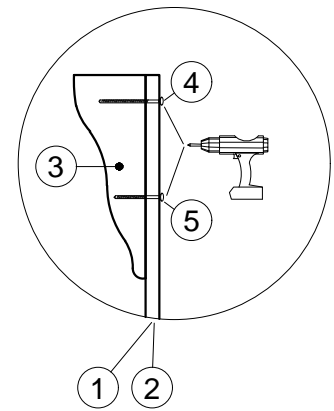


5 x18

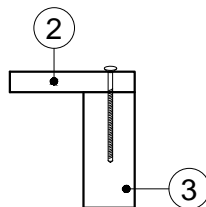
T-BC-4x50



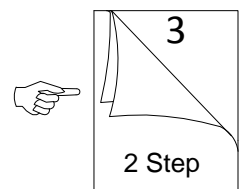
GR-8k-Apd-1155
or
GR-8k-Apd-1285
or
GR-8k-Apd-1415



GR-Apd(k)-1155
or
GR-Apd(k)-1285
or
GR-Apd(k)-1415

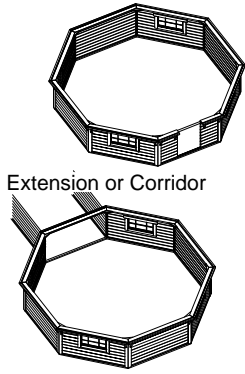


GR-Apd(d)-1155
or
GR-Apd(d)-1285
or
GR-Apd(d)-1415

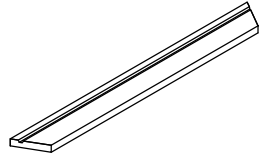


4. Grill / Camping / Sauna Cabin 16.5

ROOF SUPPORT RING



Extension or Corridor



1 x7 or 8

M-45x195x2004-F



2 x1

M-45x195x577-F(k)

or

M-45x195x467-F(k)



3 x1

M-45x195x577-F(d)

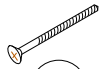
or

M-45x195x467-F(d)



4 x8

M-45x70x338-F



5 x73

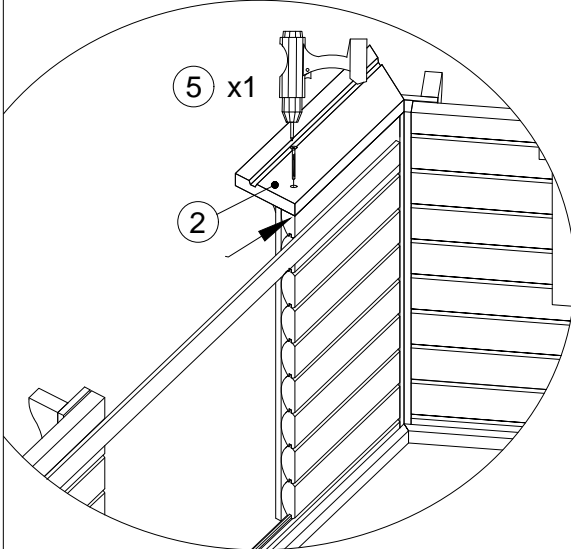
T-GC-5x100



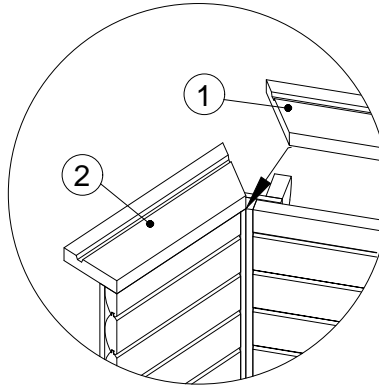
6 x16

T-GC-5x80

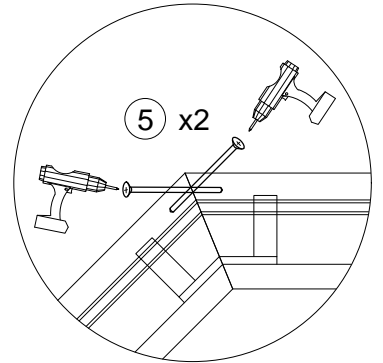
1 Step



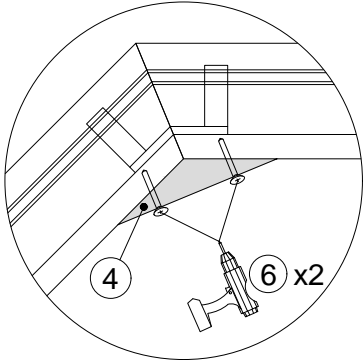
2 Step



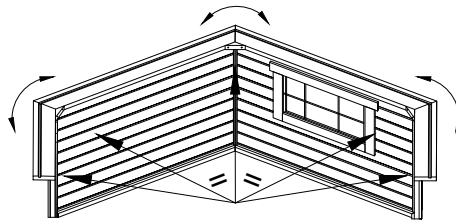
3 Step



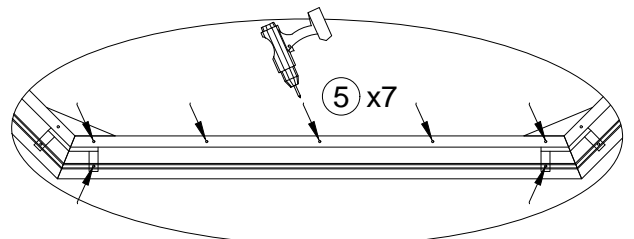
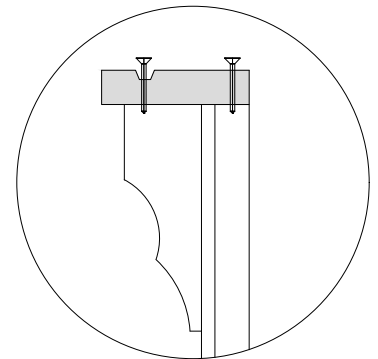
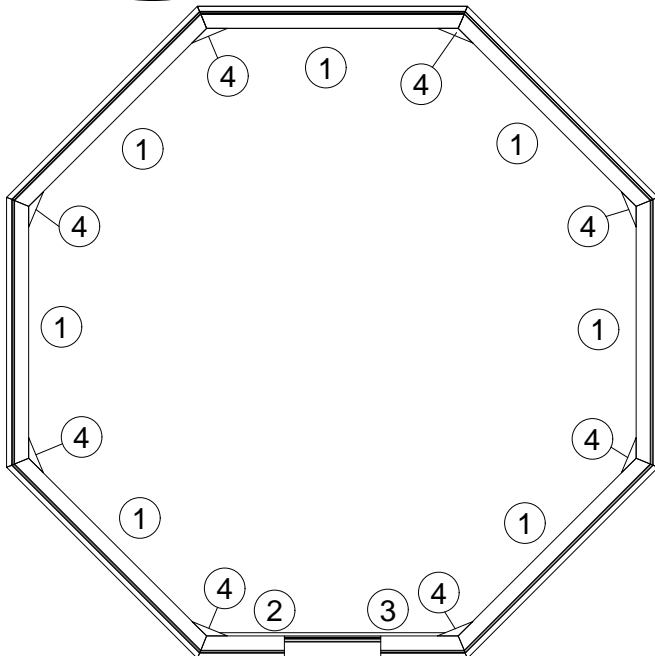
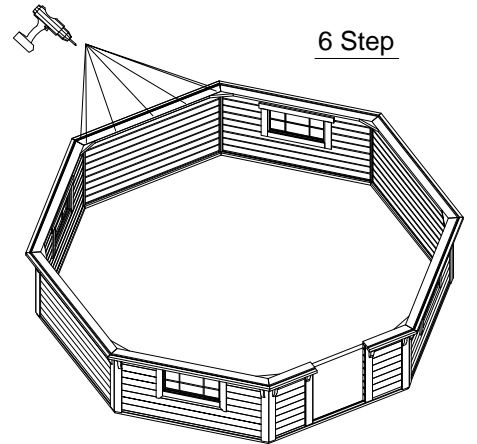
4 Step



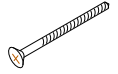
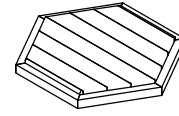
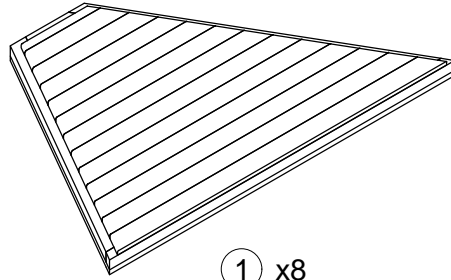
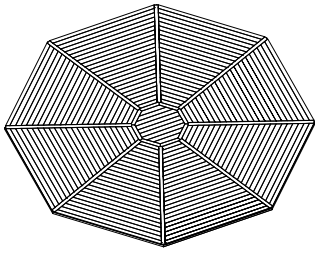
5 Step



6 Step



5. Grill / Camping / Sauna Cabin 16.5 FLOORS



① x8

GR16.5-Grind-1731x1818

or

GR16.5-I-Grind-1731x1818

or

GR16.5-Spunt-1731x1818

or

GR16.5-I-Spunt-1731x1818

② x1

GR-8k-Grind-927x1003

or

GR-8k-I-Grind-927x1003

or

GR-8k-Spunt-927x1003

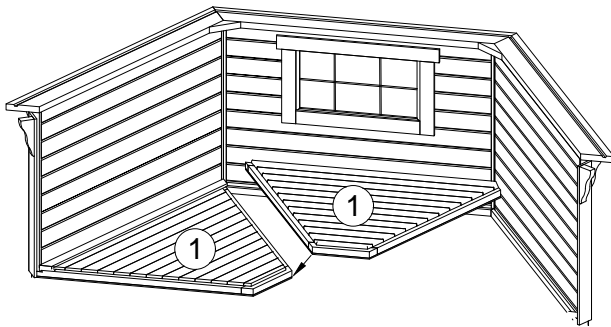
or

GR-8k-I-Spunt-927x1003

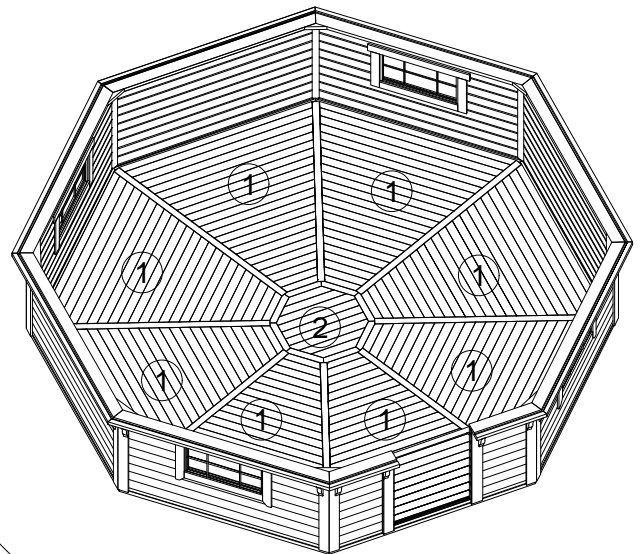
③ x56

T-GC-3.5x45

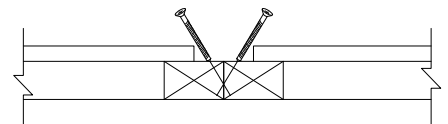
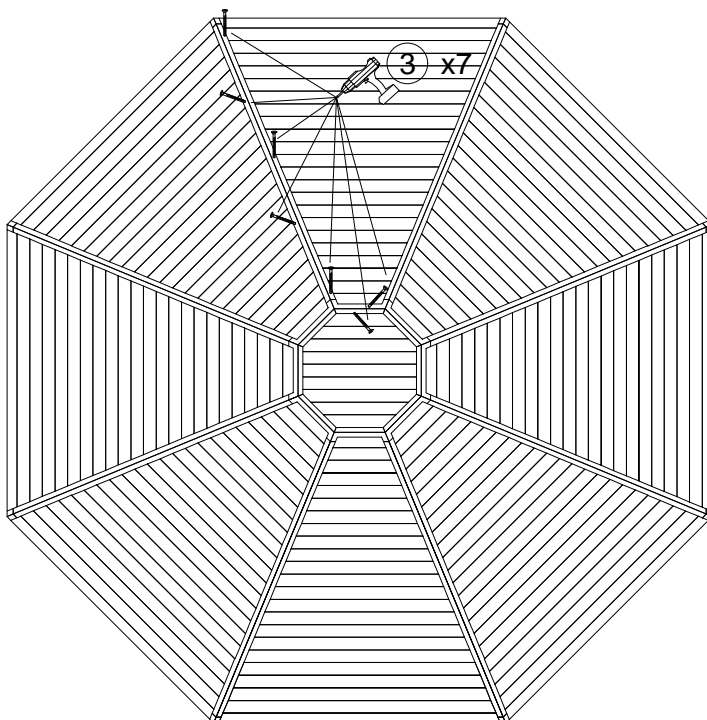
1 Step



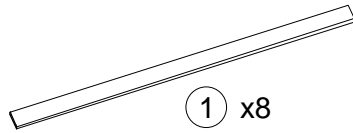
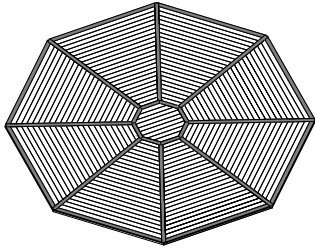
2 Step



3 Step



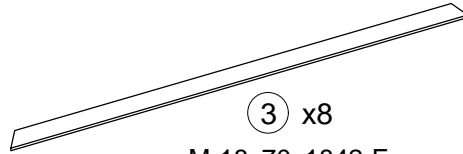
6. Grill / Camping / Sauna Cabin 16.5 FLOORS FINISHING BOARDS



① x8
M-18x70x1834
or
Spunt-28x70x1834



② x8
M-18x70x412-F
or
Spunt-28x70x412-F

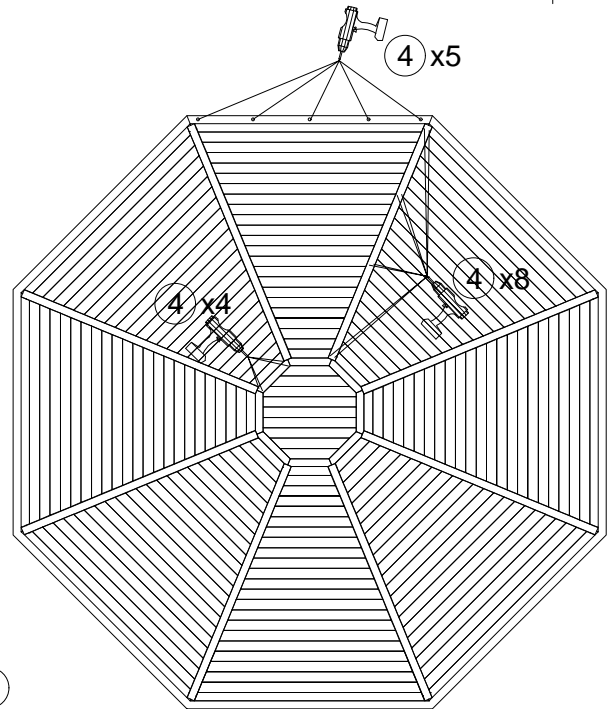
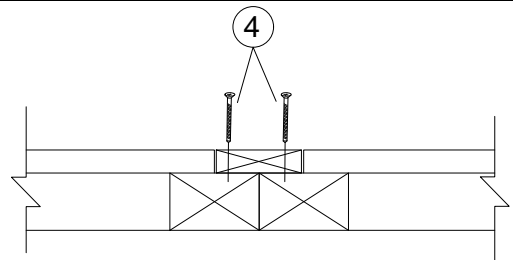
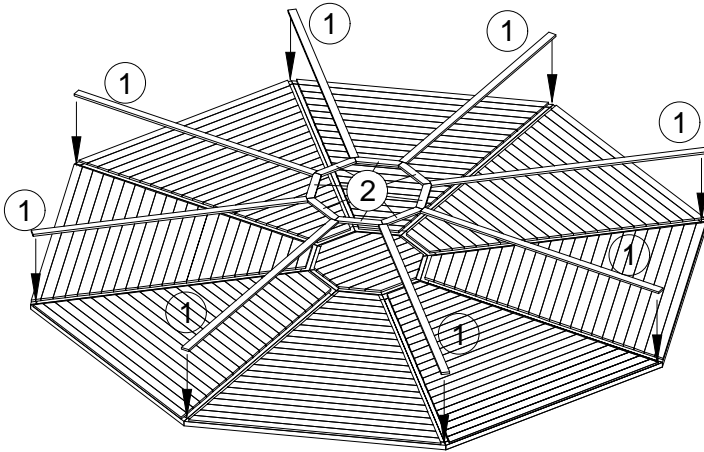


③ x8
M-18x70x1842-F

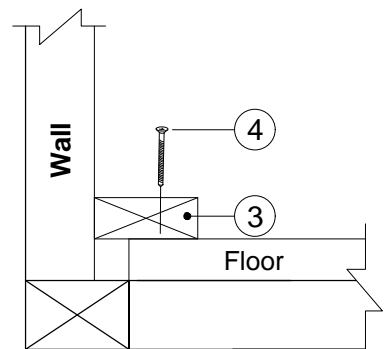
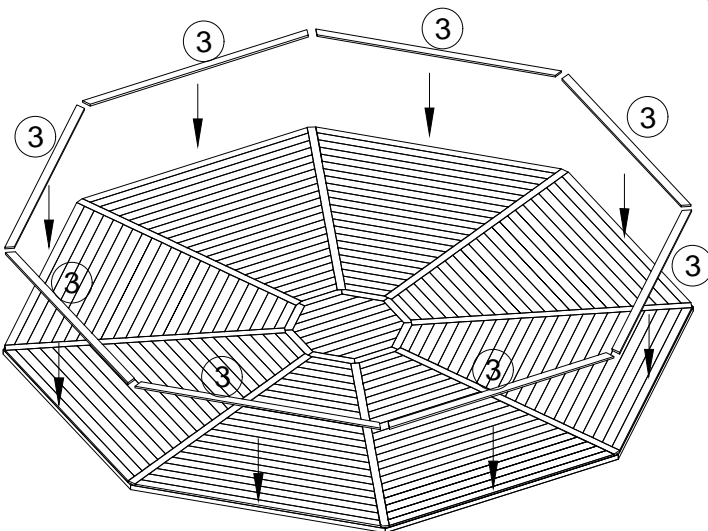


④ x136
T-GC-3.5x45

1 Step

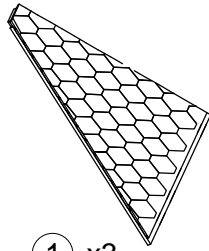


2 Step



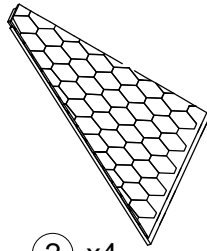
7. Sauna Cabin 16.5 with changing room

ROOF



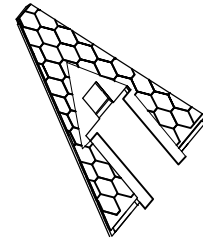
① x3

GR16.5-I-Stog-1983x3000



② x4

GR16.5-Stog-1983x3000

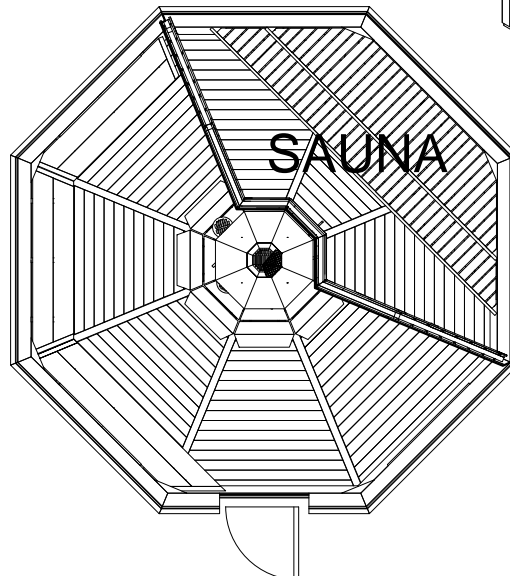
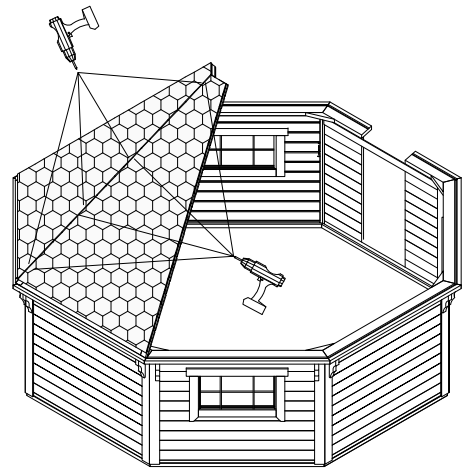
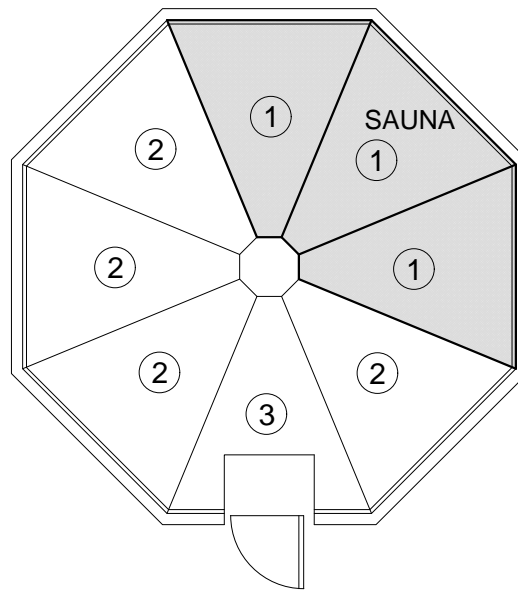
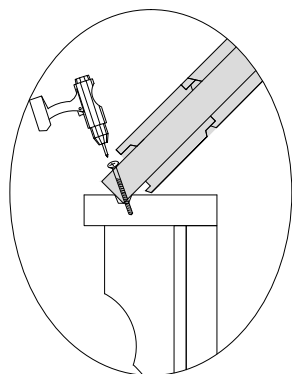
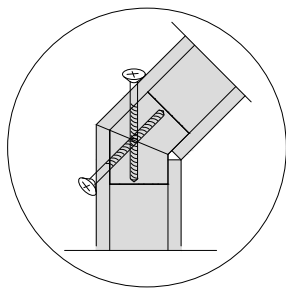
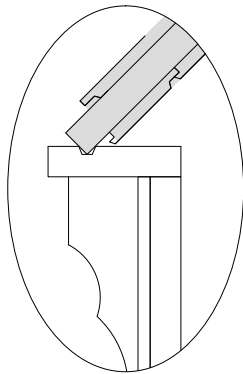


③ x1

GR16.5-StogD-1983x3000-A850 or A1070

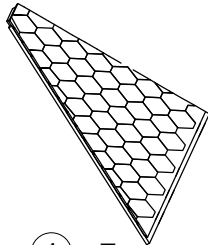
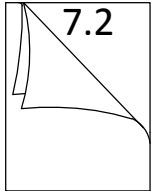
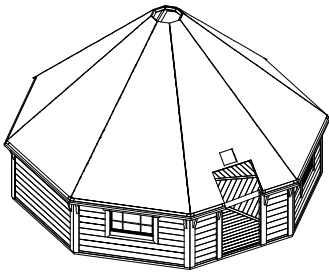


⑤ x104
T-GC-5x80



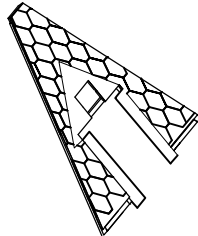
7.1 Grill / Camping / Sauna Cabin 16.5

ROOF



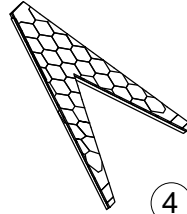
① x7

GR16.5-Stog-1983x3000
or
GR16.5-I-Stog-1983x3000



② x1

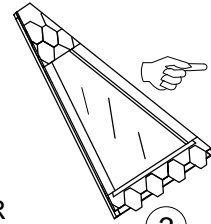
GR16.5-StogD-1983x3000-A850 or A1070
or
GR16.5-I-StogD-1983x3000-A850 or 1070



④

GR16.5-StogEX-1983x3000
or
GR16.5-I-StogEX-1983x3000

OR



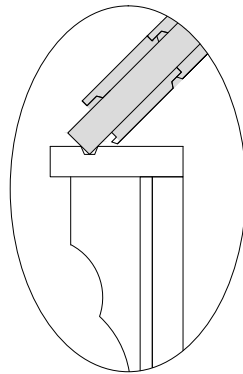
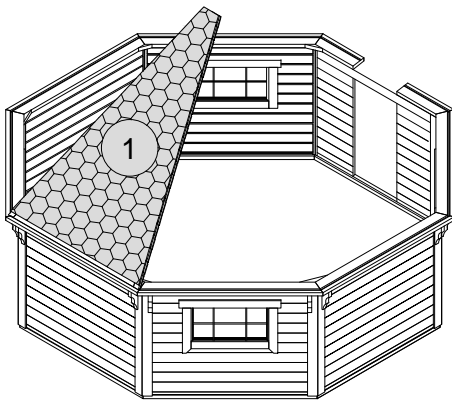
③

GR16.5-StogL-1983x3000
or
GR16.5-I-StogL-1983x3000

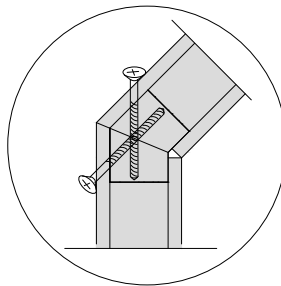
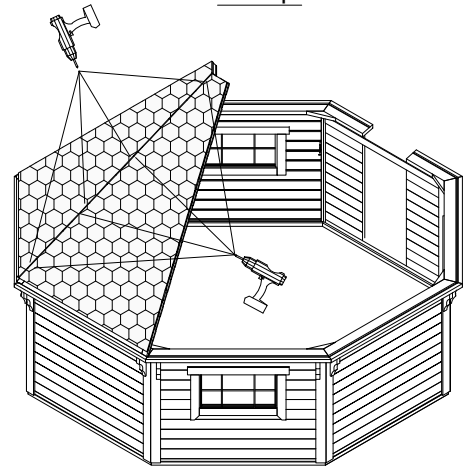


⑤ x104
T-GC-5x80

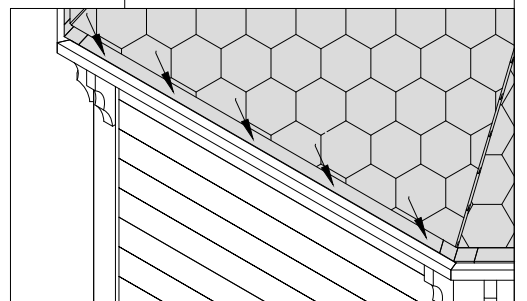
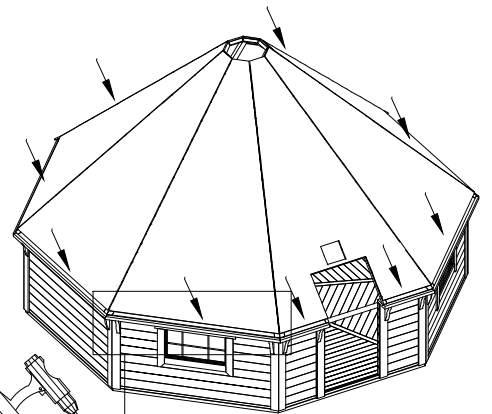
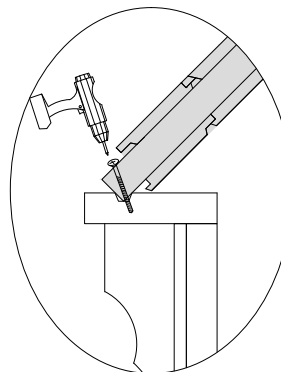
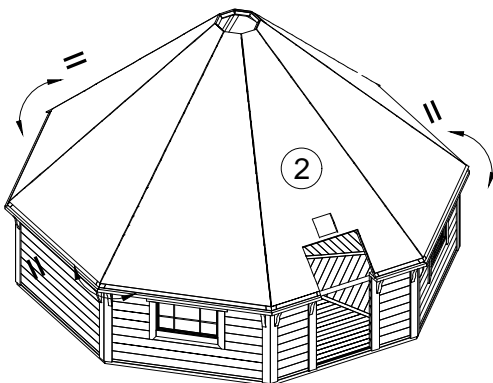
1 Step



2 Step

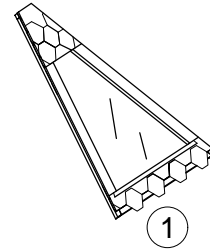
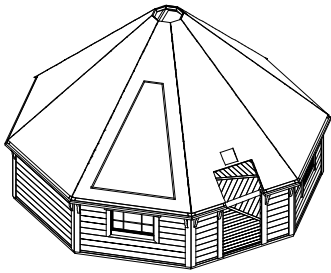


3 Step

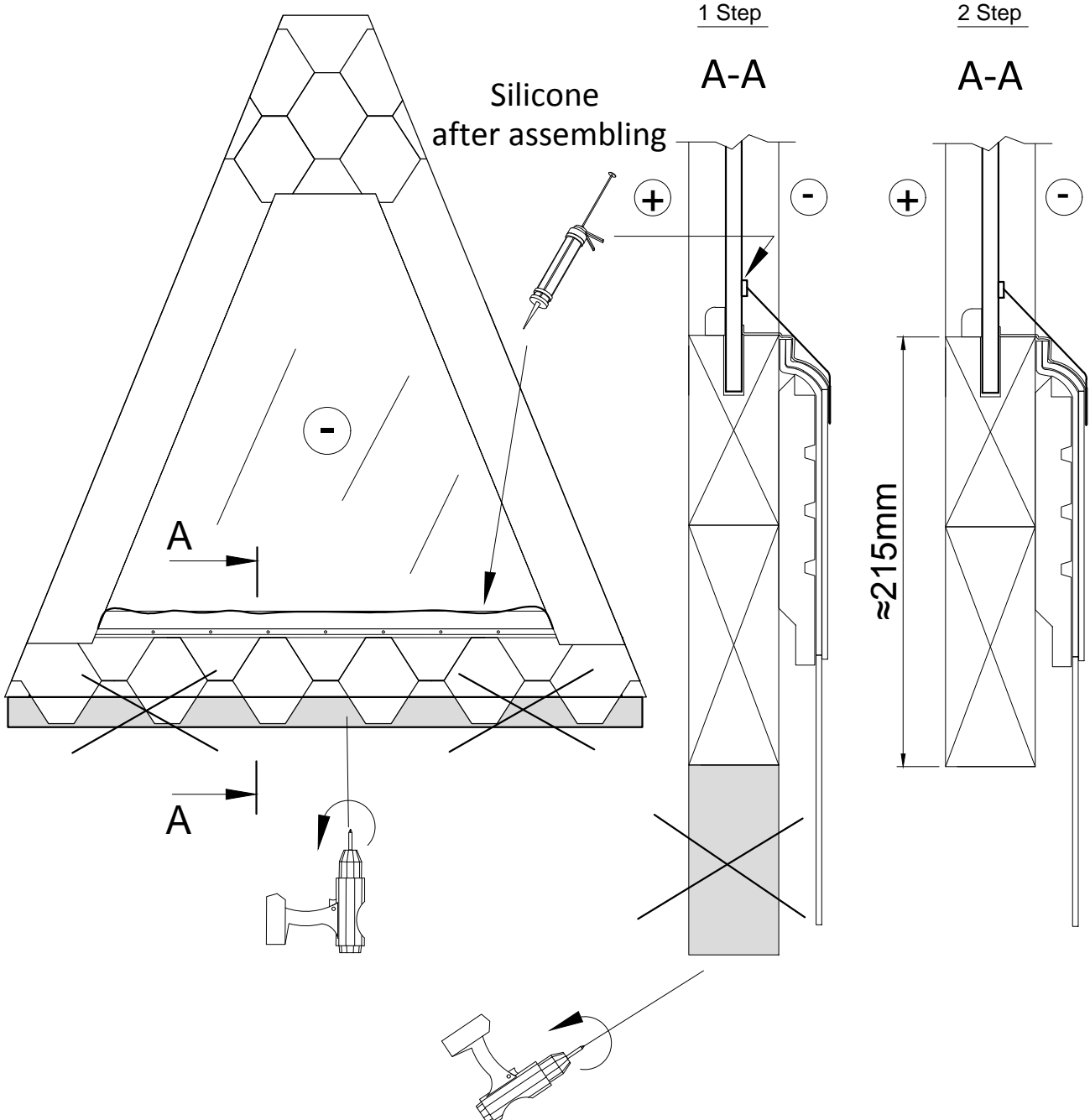


7.2 Grill / Camping / Sauna Cabin 16.5

ROOF

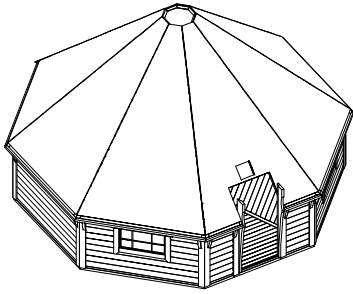


GR16.5-StogL-1983x3000
or
GR16.5-I-StogL-1983x3000



8. Grill / Camping / Sauna Cabin 16.5

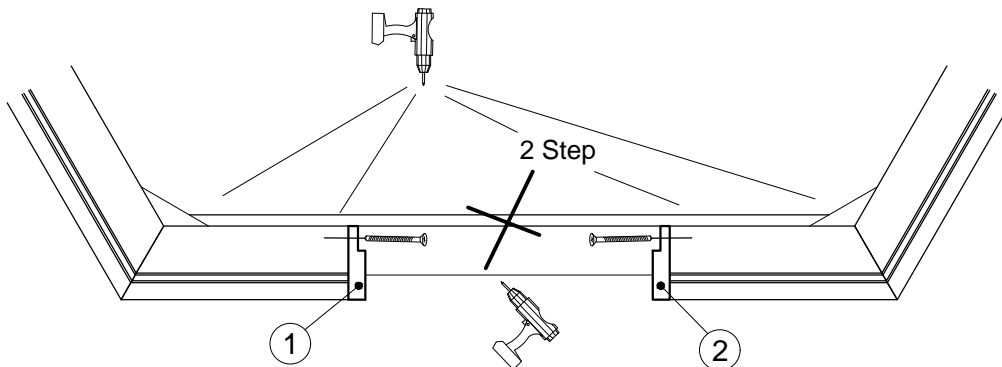
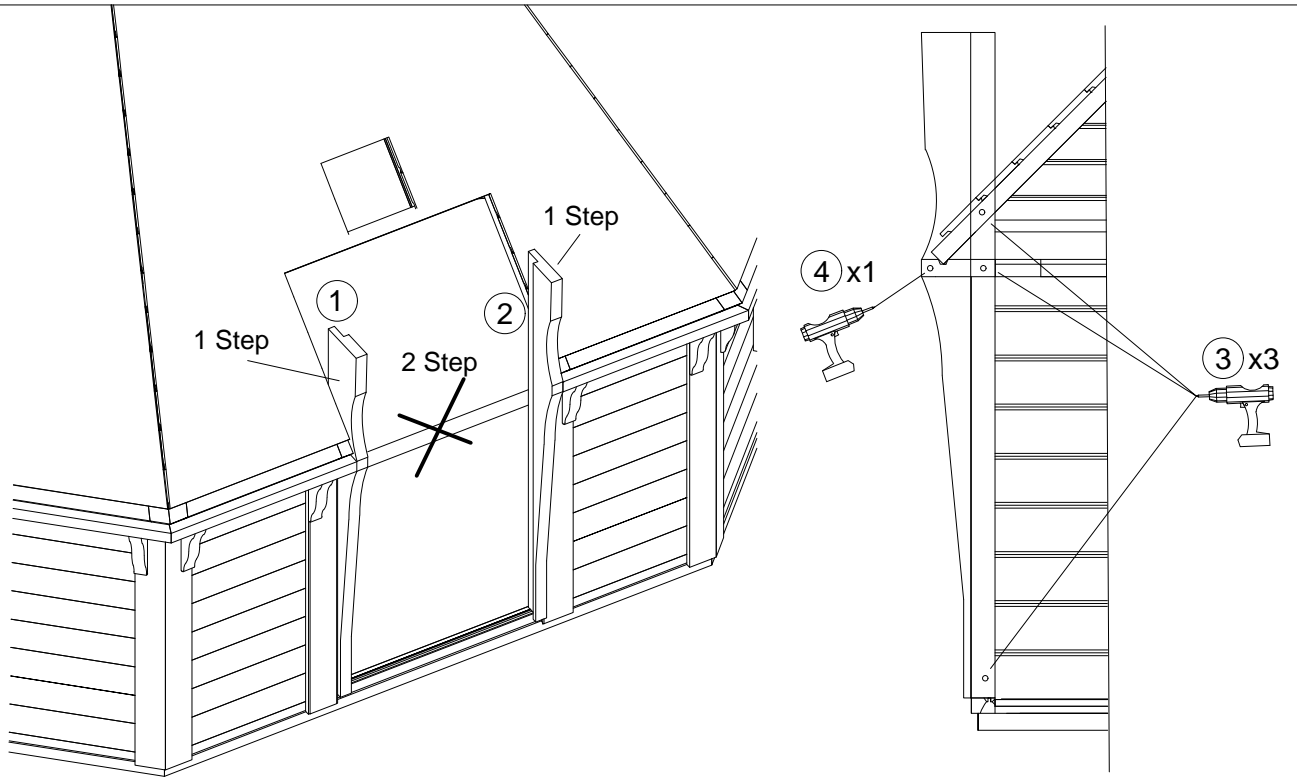
ENTRANCE SUPPORT



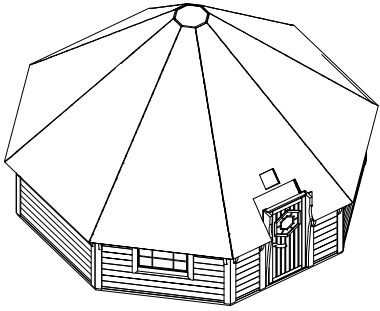
M-45x195x1630-CNC(k)
or
M-45x195x1760-CNC(k)
or
M-45x195x1890-CNC(k)



M-45x195x1630-CNC(k)
or
M-45x195x1760-CNC(d)
or
M-45x195x1890-CNC(d)

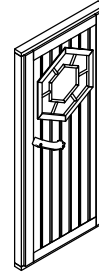


9. Grill / Camping / Sauna Cabin 16.5 OUTSIDE DOOR

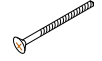


① x1
PUS00013 (782x1630)
or
PUS00060 (782x1760)
or
PUS00317 (782x1890)

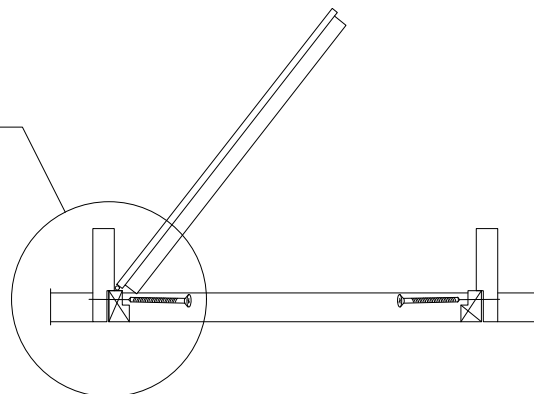
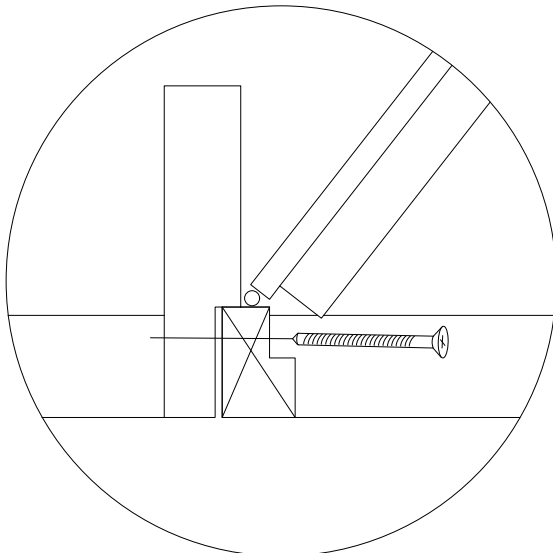
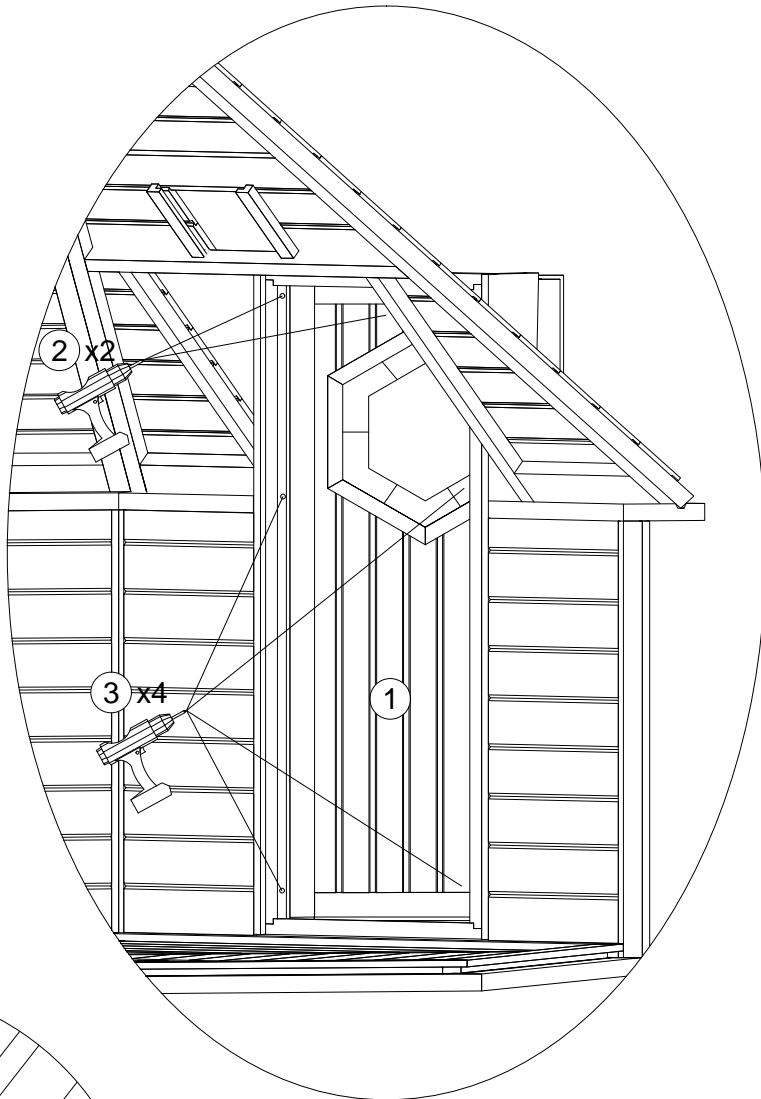
PUS00321 (1000x1630)
or
PUS00322 (1000x1760)



② x2
T-BC-4x50



③ x4
T-GC-5x100



9.1 Grill / Camping / Sauna Cabin 16.5

INSIDE FINISHING BOARD

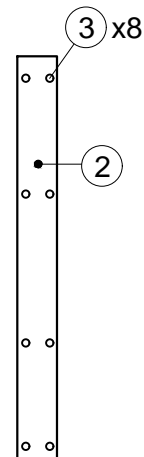
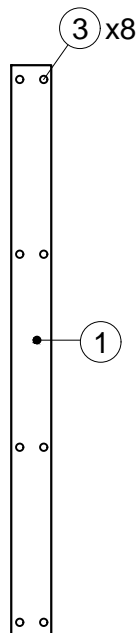
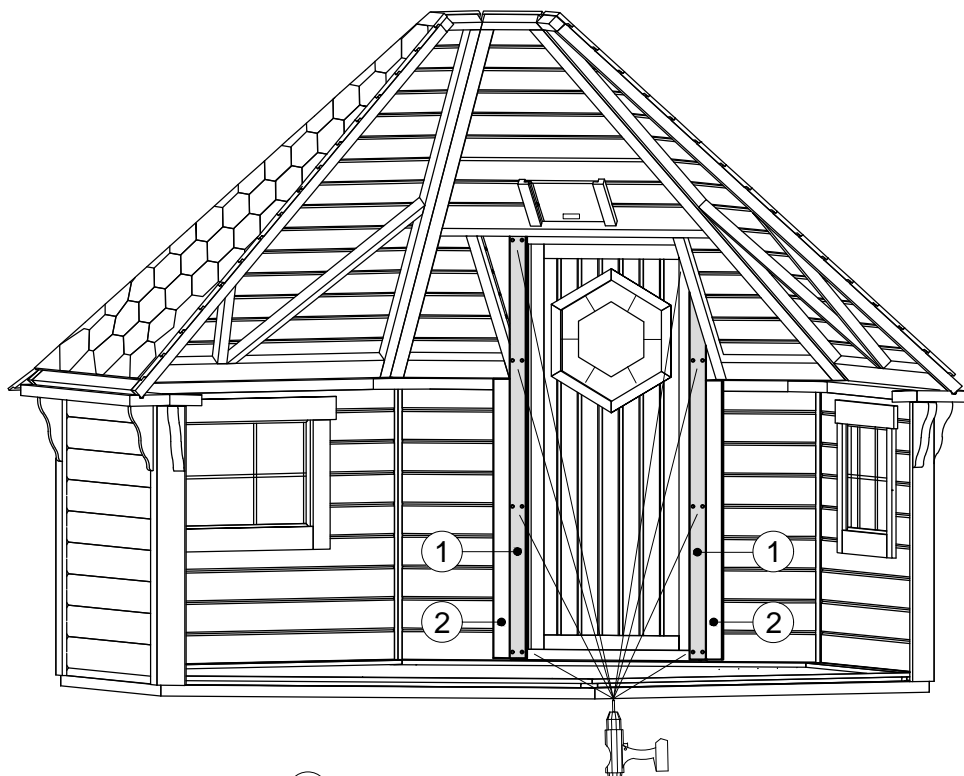
① x2
M-18x70x1624
or
M-18x70x1754
or
M-18x70x1884



② x2
M-18x70x1150
or
M-18x70x1280
or
M-18x70x1410

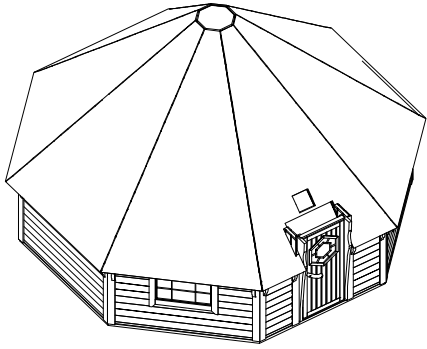


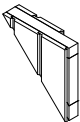
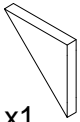
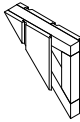
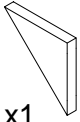

③ x32
T-GC-3.5x45

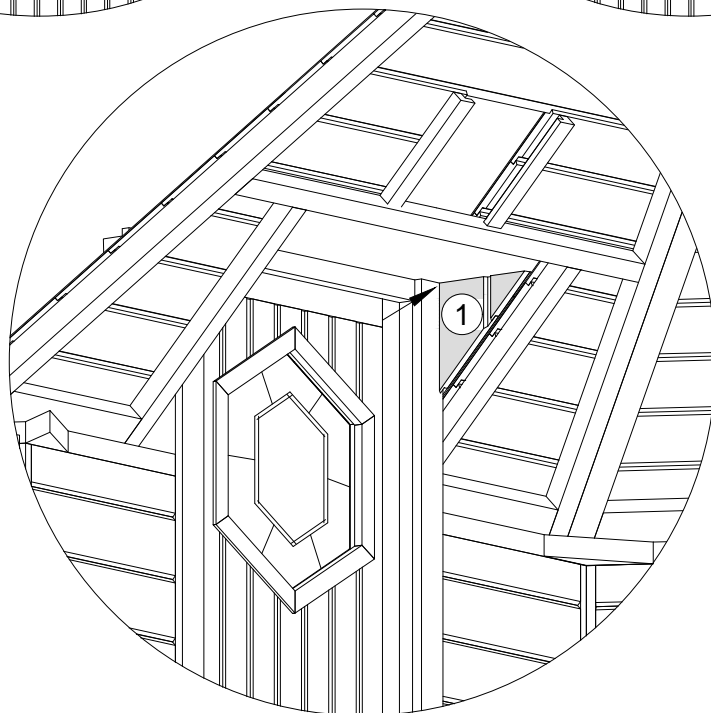
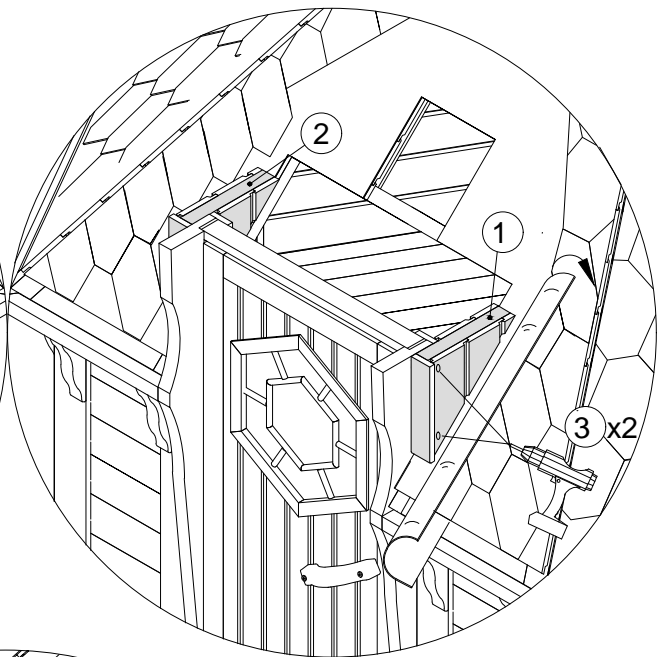
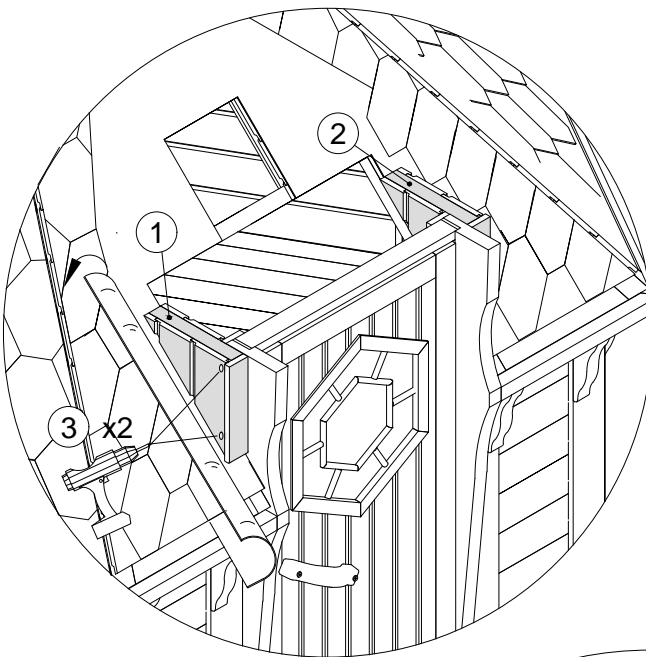


10. Grill / Camping Cabin 16.5

ENTRANCE ASSEMBLY

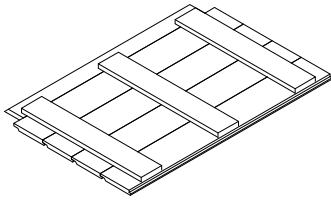


-  ① x1
GR-trikamp-313x331-(k)
-  ① x1
M-45X136X271-F
- OR**
-  ② x1
GR-trikamp-313x331-(d)
-  ② x1
M-45X136X271-F
-  ③ x4
T-GC-5x80



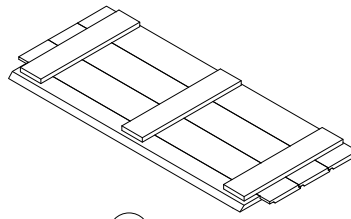
10.1 Grill / Camping / Sauna Cabin 16.5

ENTRANCE ASSEMBLY



① x1
GR-lubos-636x939

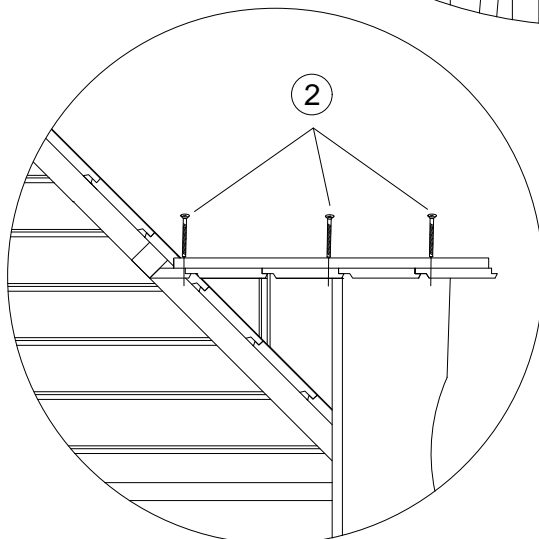
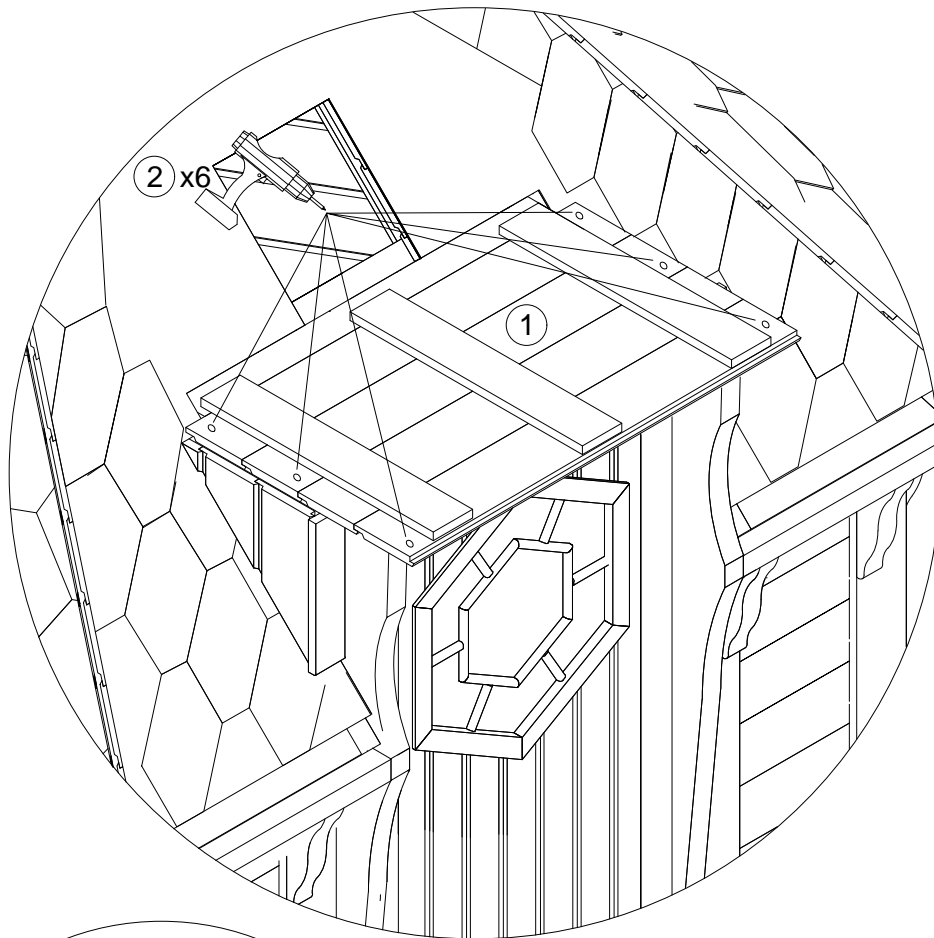
OR



① x1
GR-lubos-507x1159

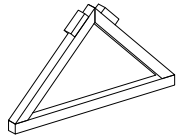


② x6
T-GC-4x70

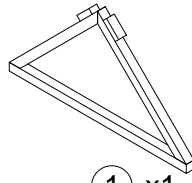


10.2 Grill / Camping / Sauna Cabin 16.5

ENTRANCE ASSEMBLY

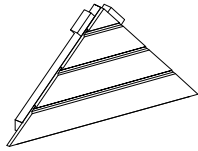


① x1
GR-Stog-trik-453x815

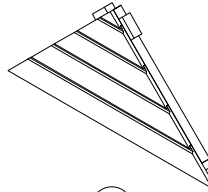


① x1
GR-Stog-trik-563x1035

OR



② x1
GR-Pr-trik-491x981



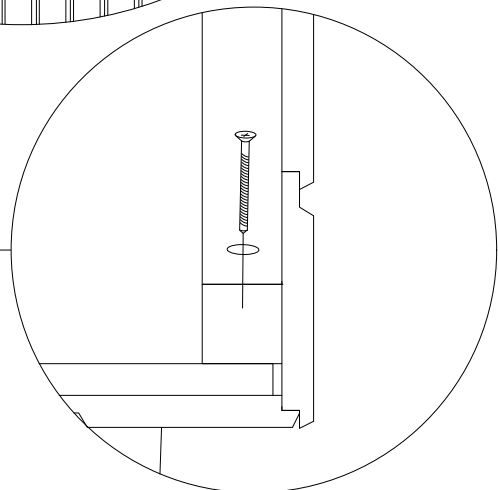
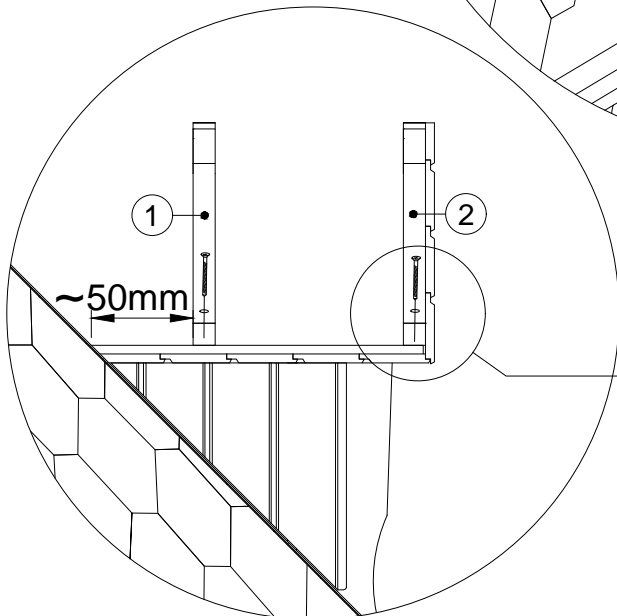
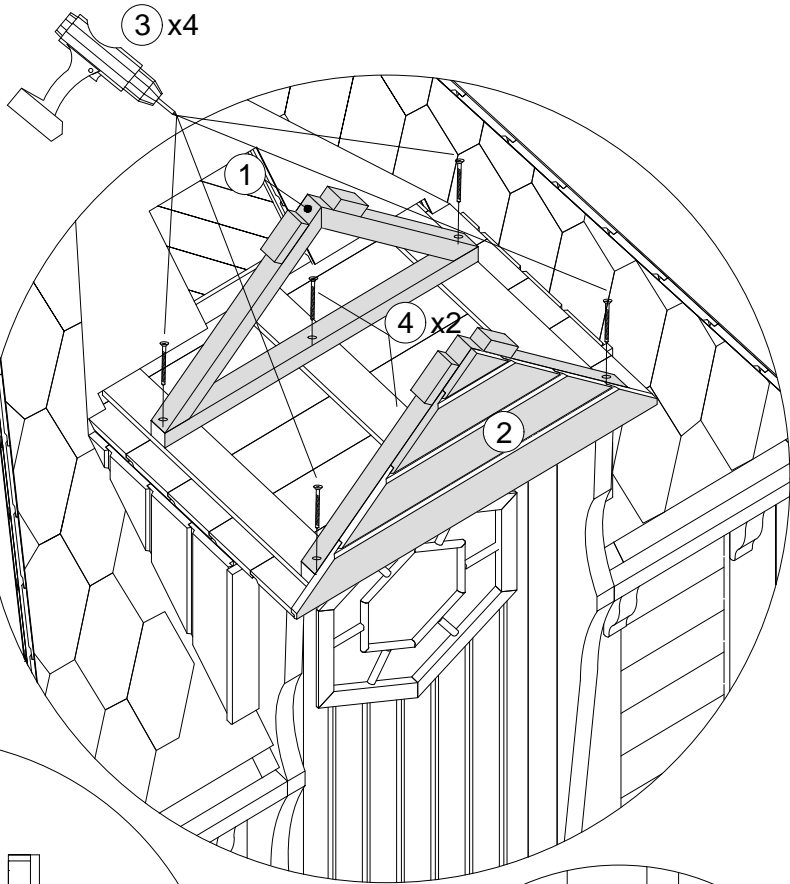
② x1
GR-Pr-trik-601x1202



③ x4
T-GC-5x100

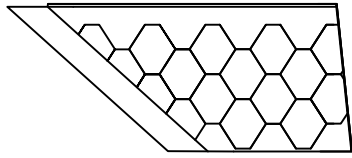


④ x2
T-GC-4x70



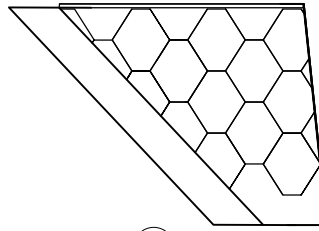
10.3 Grill / Camping / Sauna Cabin 16.5

ENTRANCE ASSEMBLY



① x1

GR-Stog-845x1090-(k)



① x1

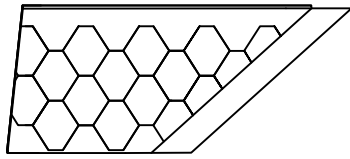
GR-Stog-1001x1070-(k)

OR



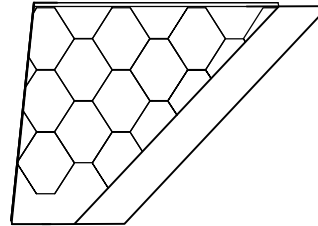
③ x8

T-GC-5x100



② x1

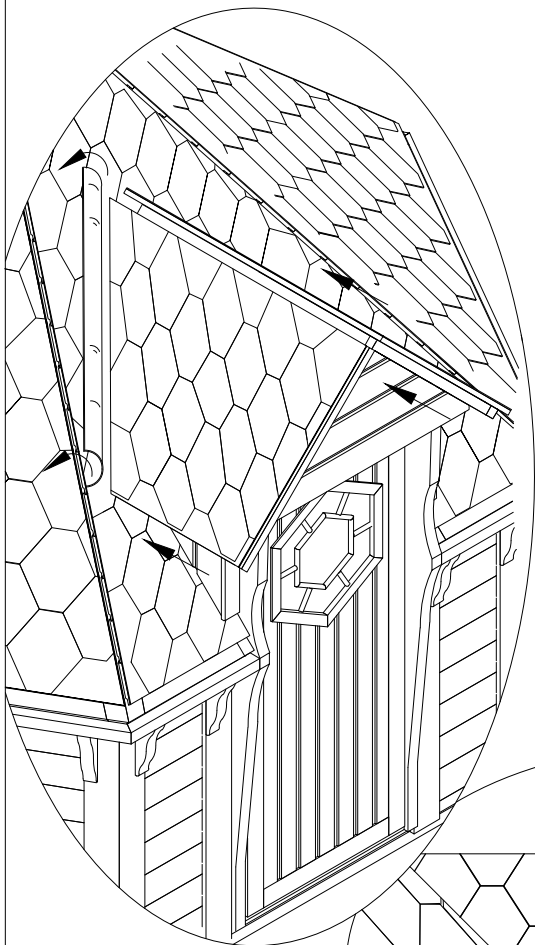
GR-Stog-845x1090-(d)



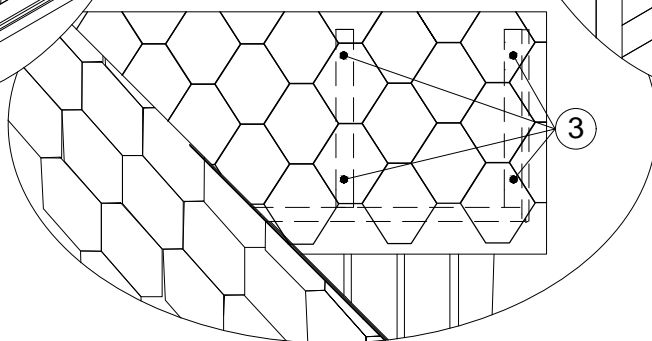
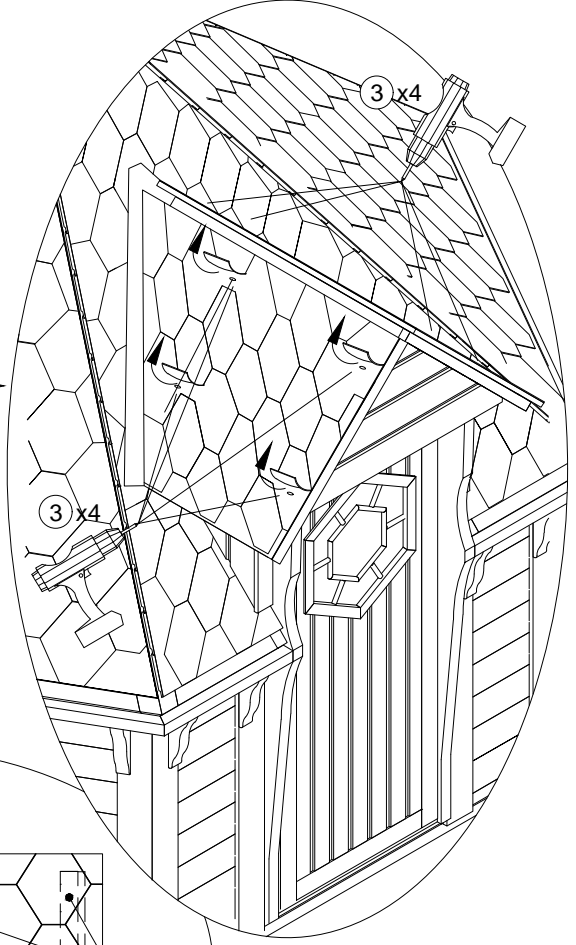
② x1

GR-Stog-1001x1070-(d)

1 Step

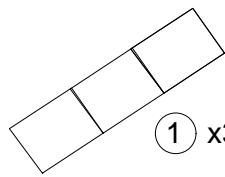


2 Step



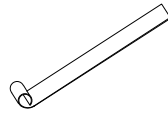
10.4 Grill / Camping / Sauna Cabin 16.5

ENTRANCE ASSEMBLY



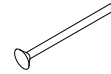
① x3

Bitumine-
cerpes-3x250x1000



② x2

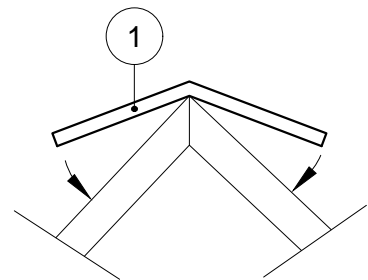
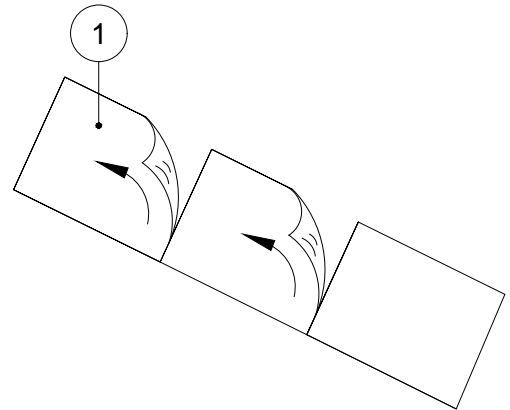
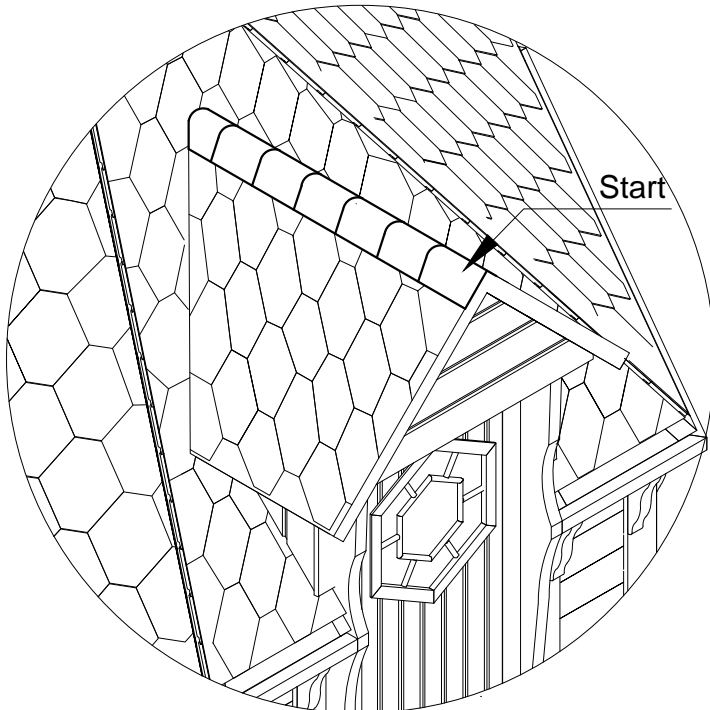
Bitumine-
juosta-3x70x1360



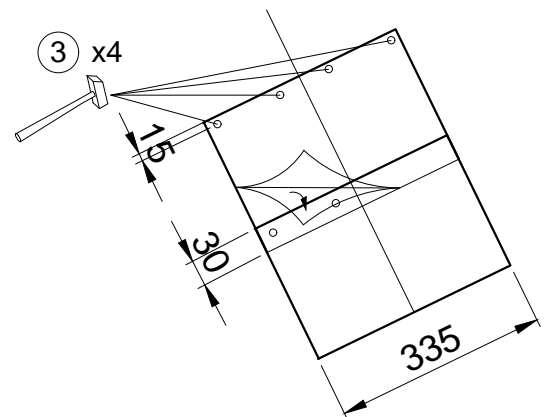
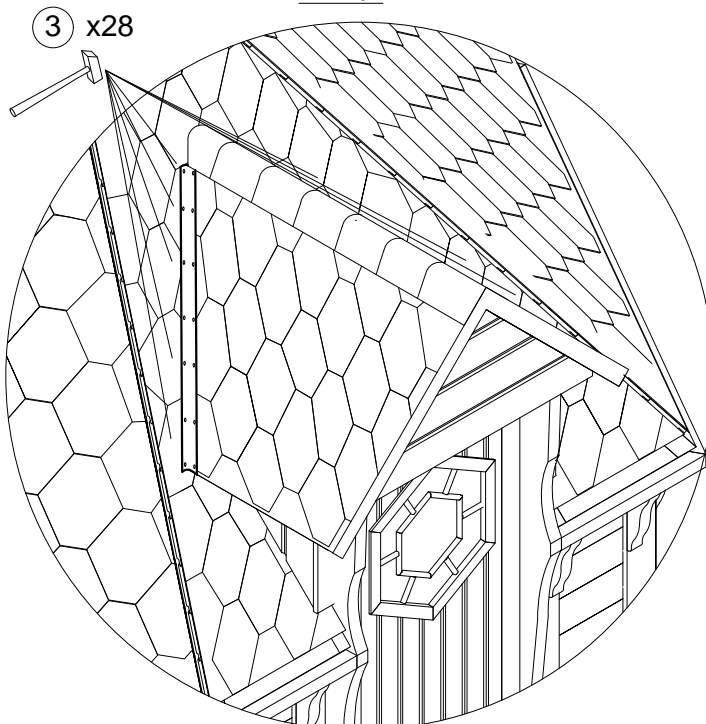
③ x 64

T-V-2x20

1 Step

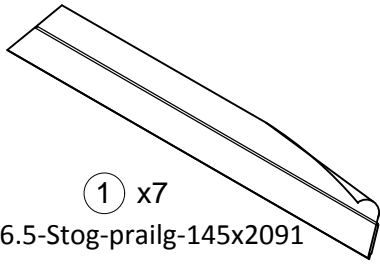


2 Step

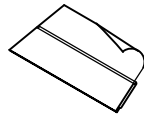


11. Grill / Camping / Sauna Cabin 16.5

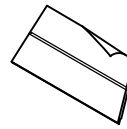
ROOF FINISHING



① x7
GR16.5-Stog-prailg-145x2091



② x1
GR16.5-Stog-prailg-145x591-(k)-A850
or
GR16.5-Stog-prailg-145x481-(k)-A1070

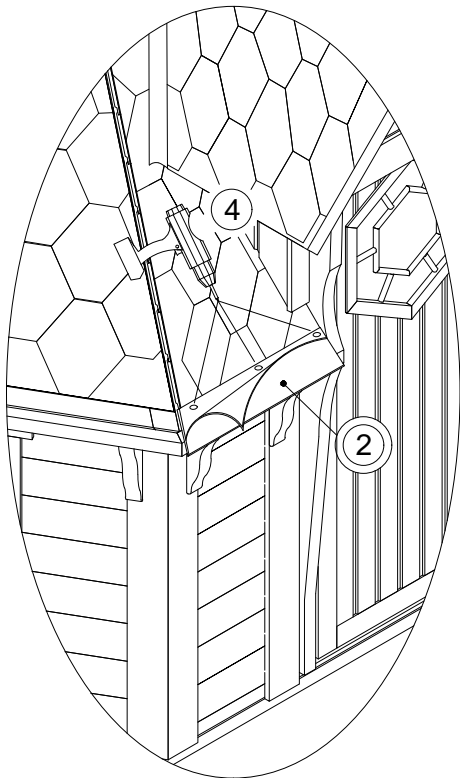


③ x1
GR16.5-Stog-prailg-145x591-(d)-A850
or
GR16.5-Stog-prailg-145x481-(d)-A1070

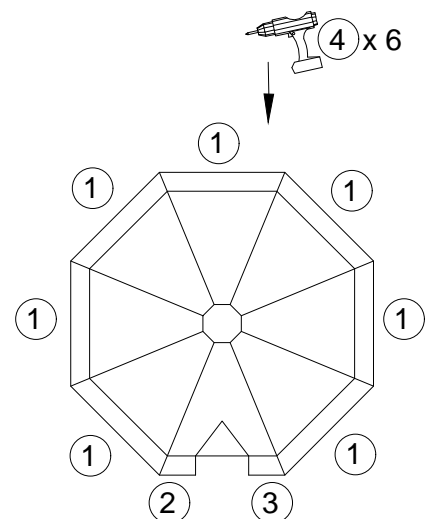
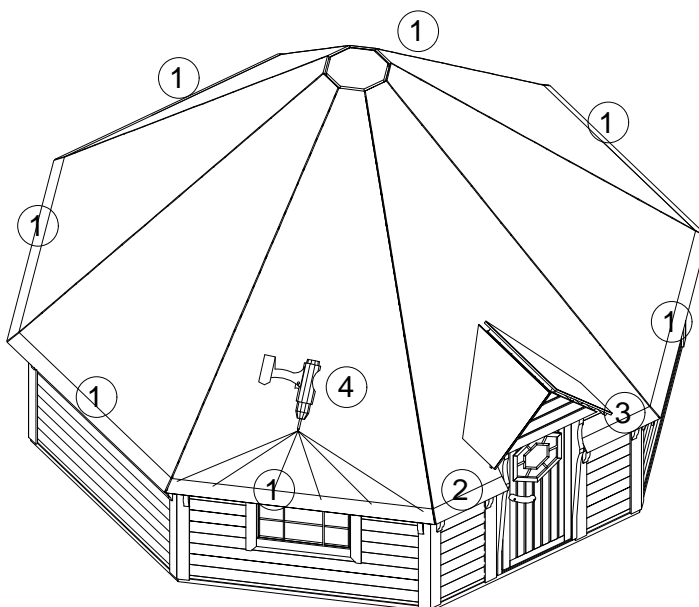
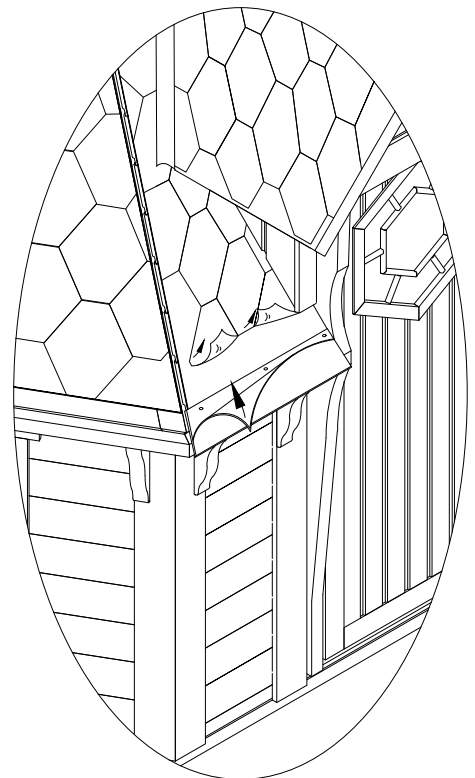
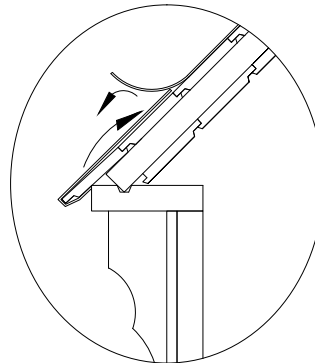
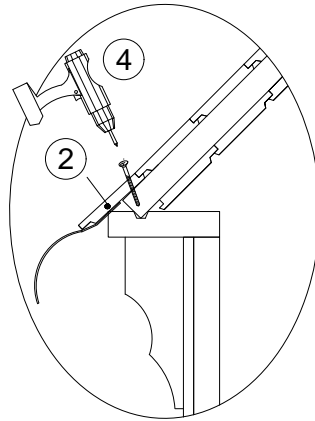


④ x48
T-GC-4x50

1 Step

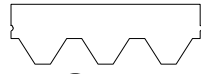


2 Step



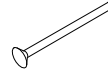
11.1 Grill / Camping / Sauna Cabin 16.5

ROOF FINISHING



① x24

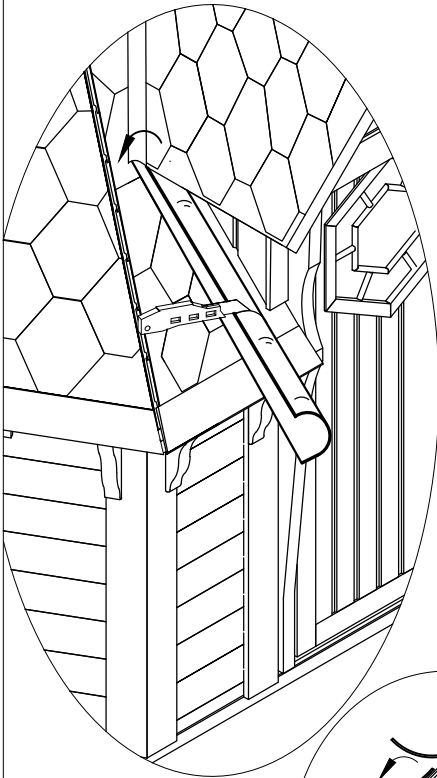
Bitumines-cerpes-3x317x1000



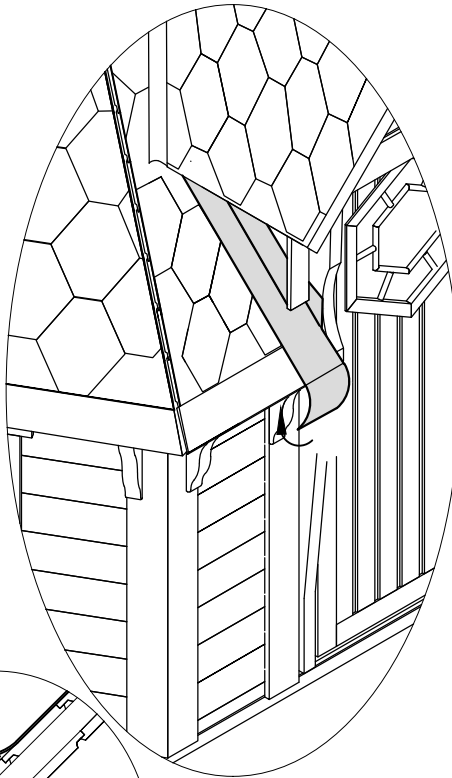
② x 150

T-V-2x20

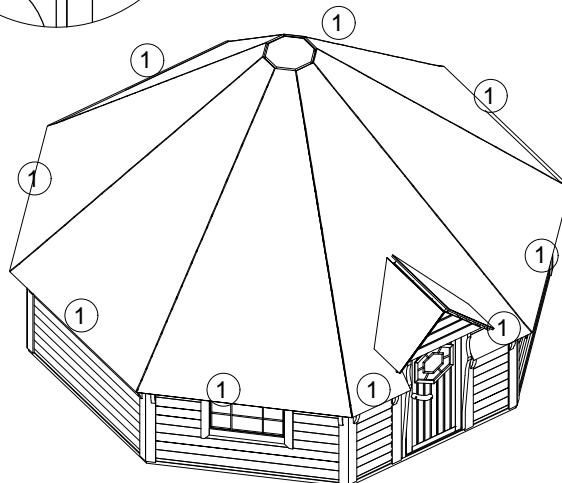
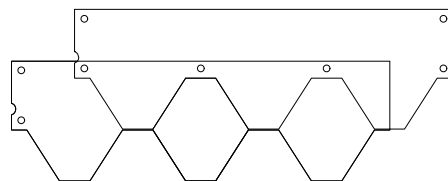
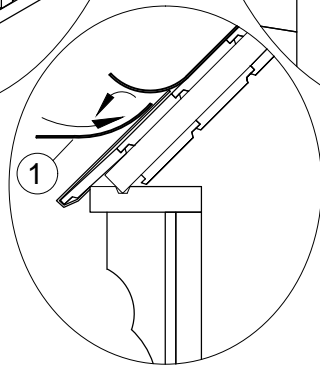
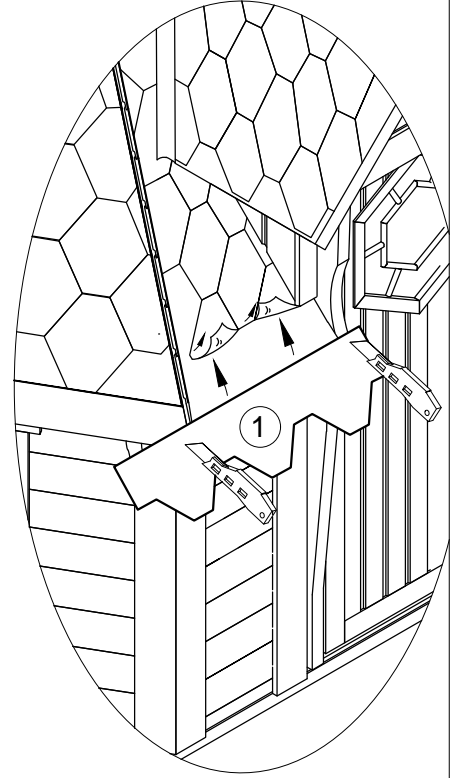
1 Step



2 Step

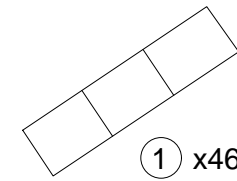
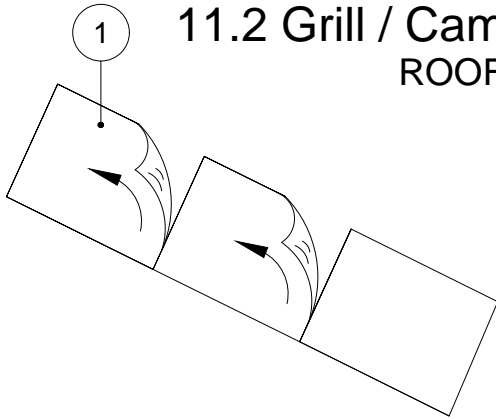


3 Step

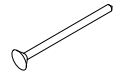


11.2 Grill / Camping / Sauna Cabin 16.5

ROOF FINISHING

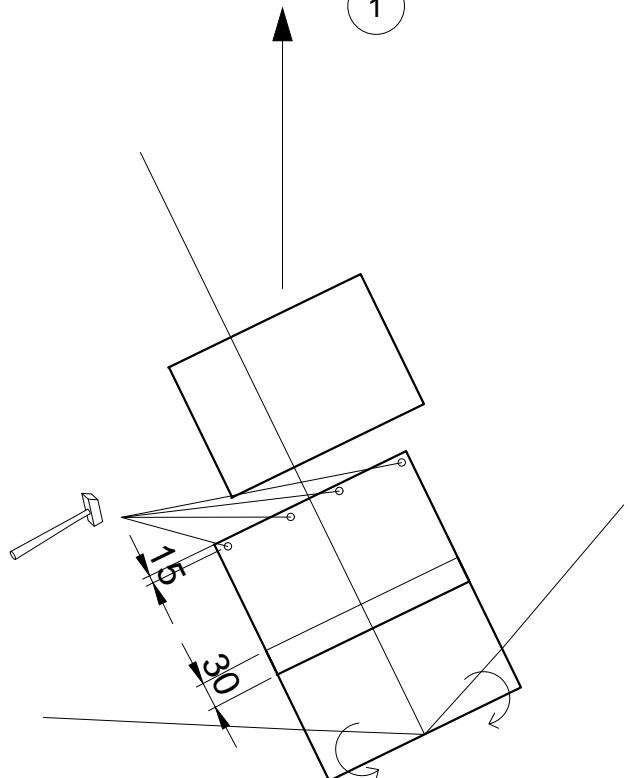
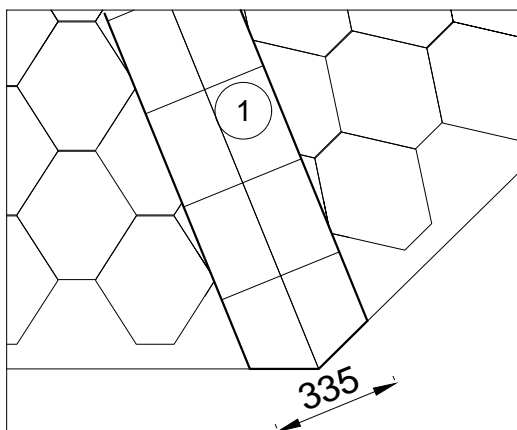
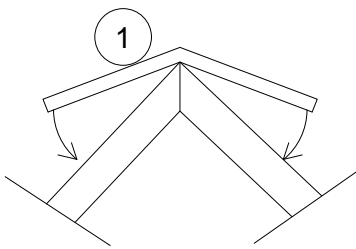
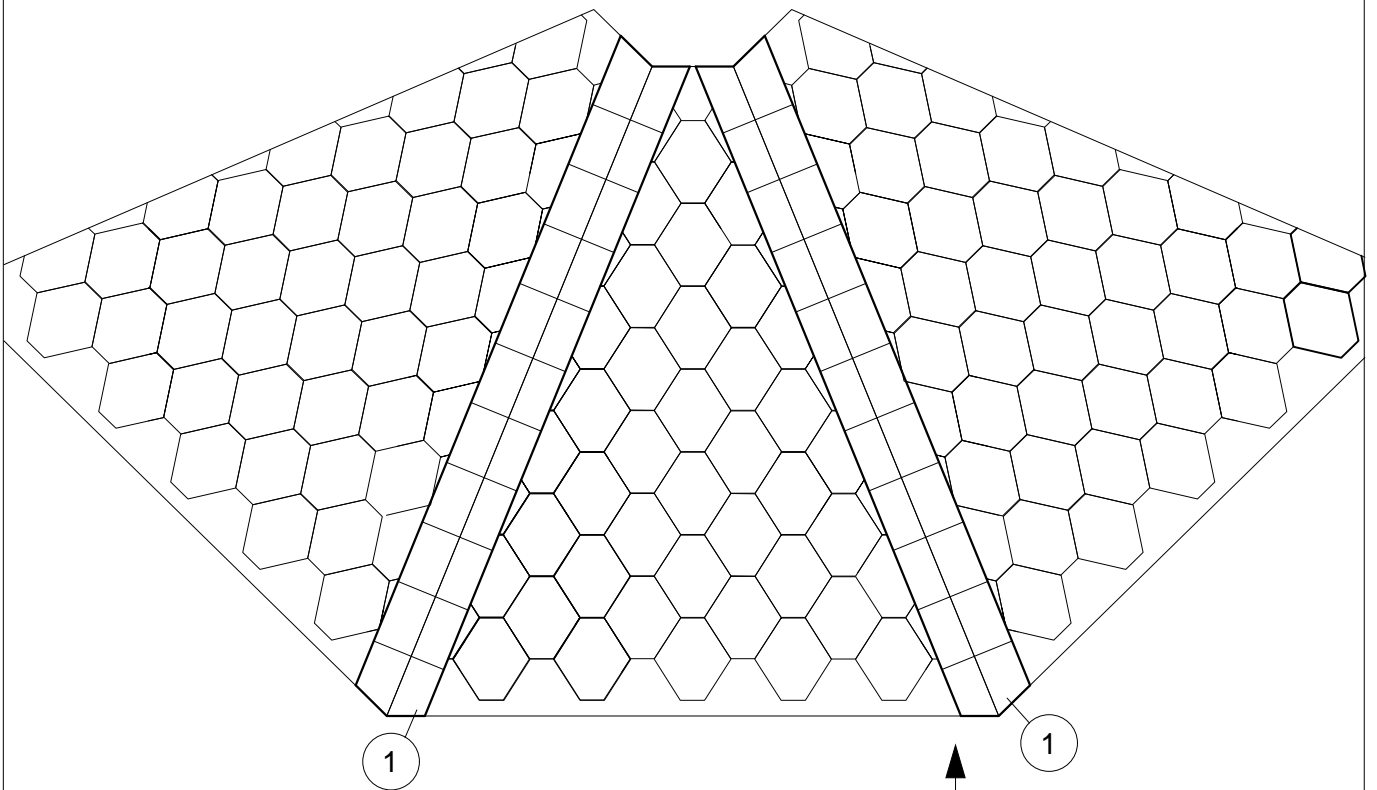


Bitumines-cerpes-3x250x1000

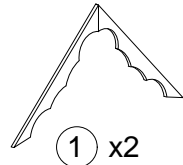


x 560

T-V-2x20

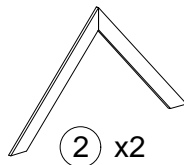


12. Grill / Camping / Sauna Cabin 16.5 OUTSIDE FINISHING BOARD



① x2

M-18x95x820-CNC
or
M-18x95x981-CNC



② x2

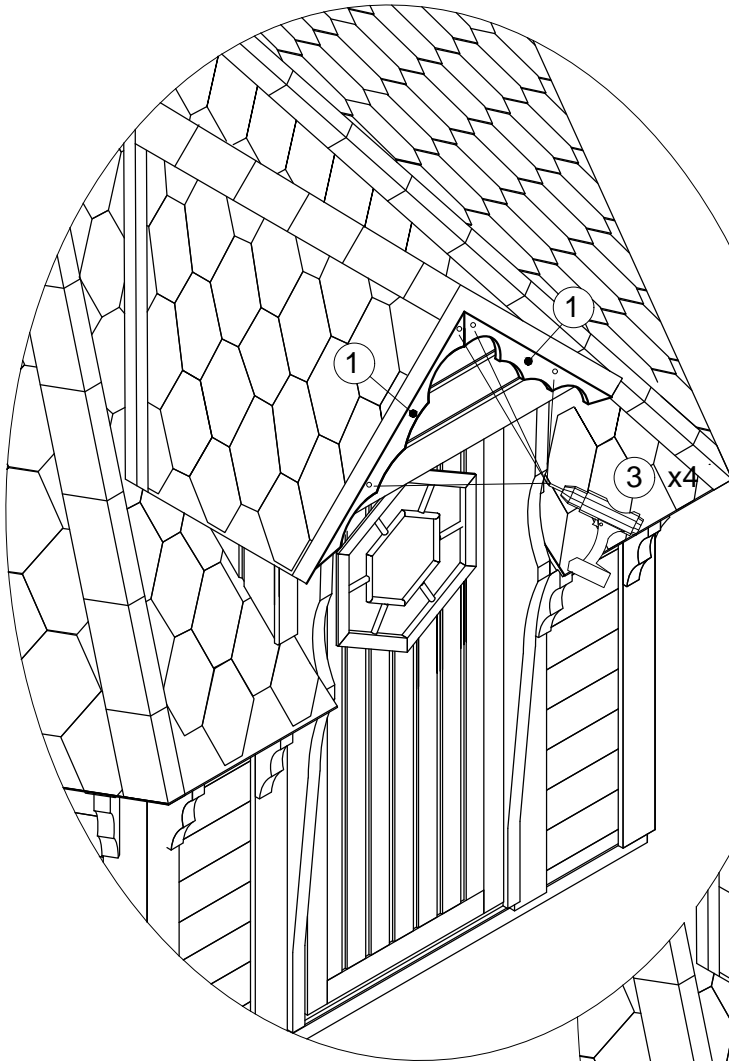
M-18x95x1050-F
or
M-18x95x1211-F



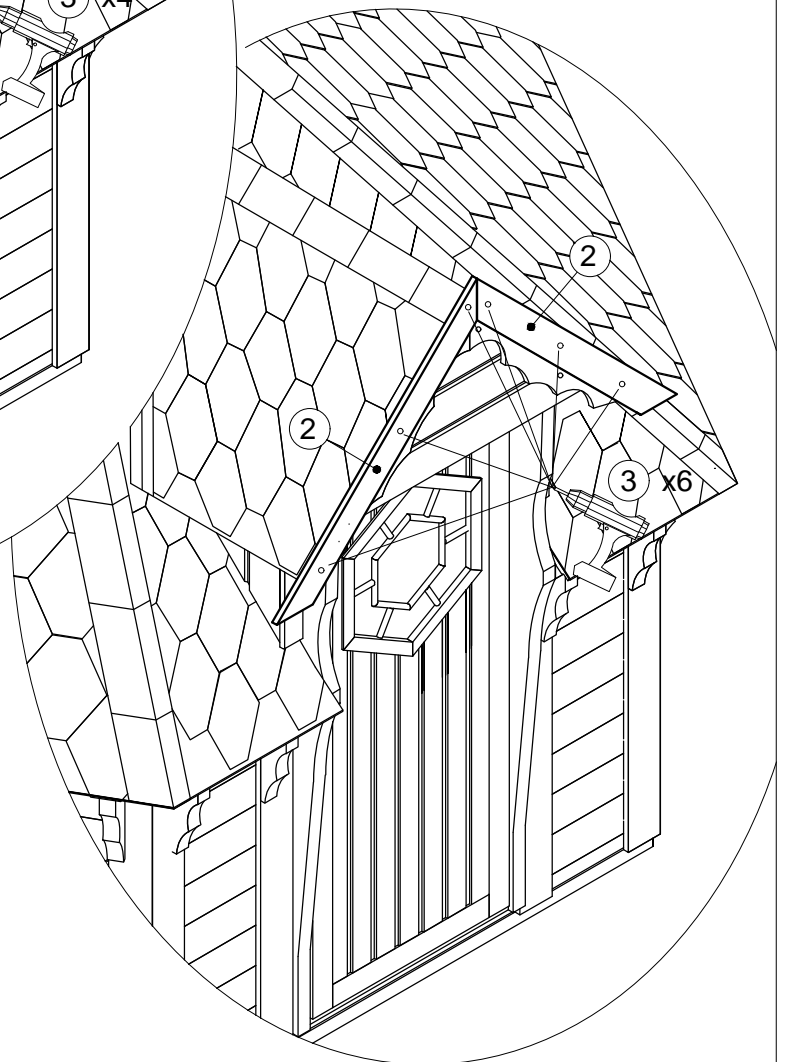
③ x10

T-GC-3.5x45

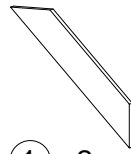
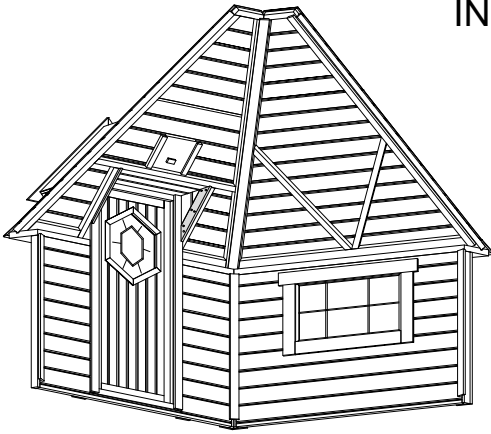
1 Step



2 Step



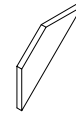
13. Grill / Camping / Sauna Cabin 16.5 INSIDE FINISHING BOARD



① x2

M-18x83x488-F

OR



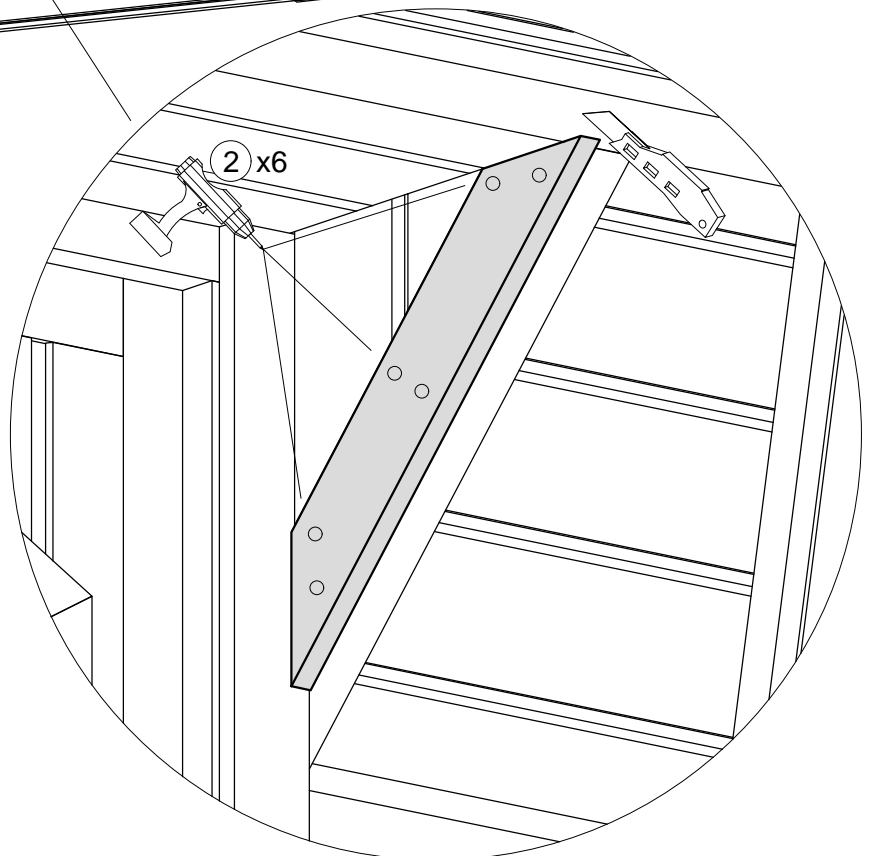
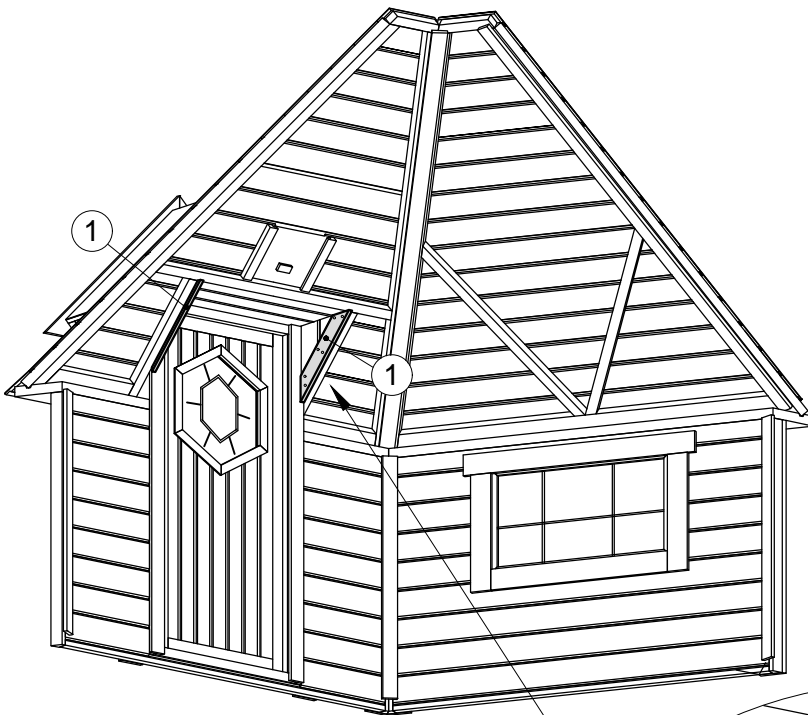
① x2

M-18x95x318-F





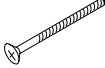
② x12

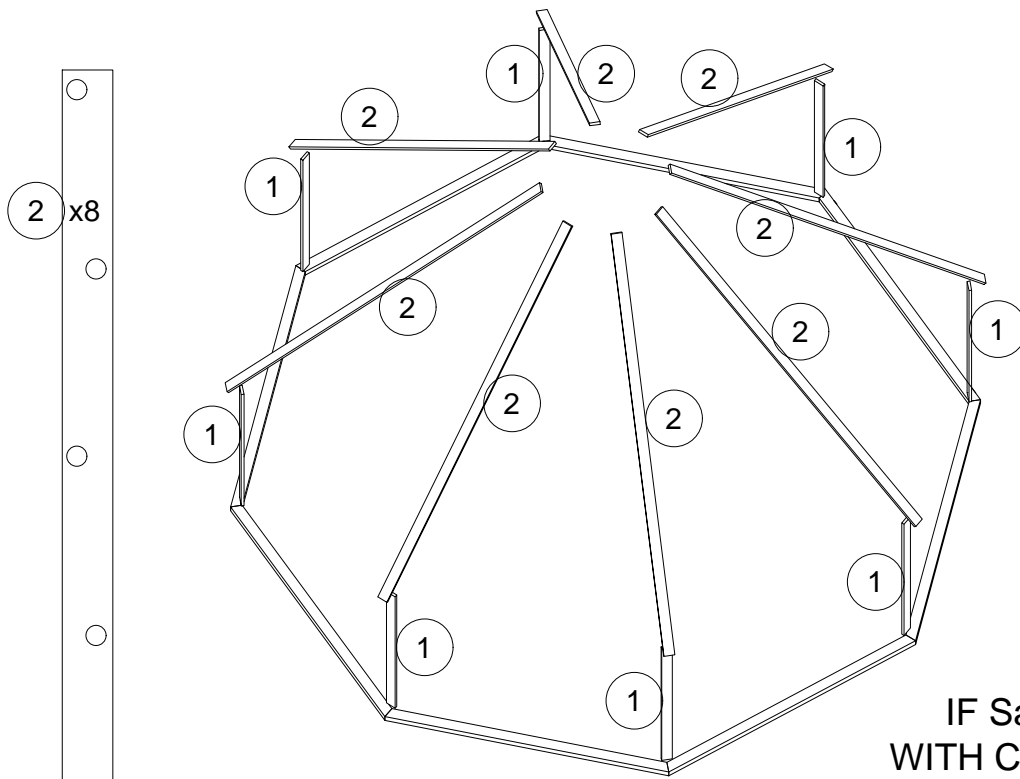
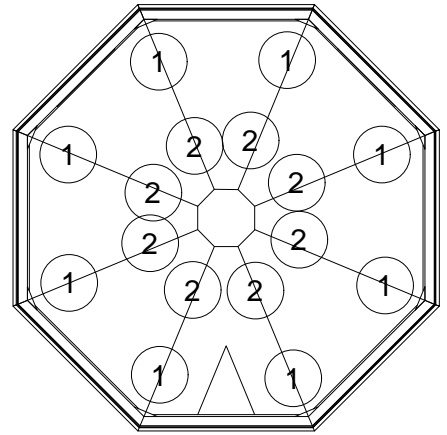
T-GC-3.5x45



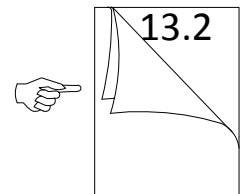
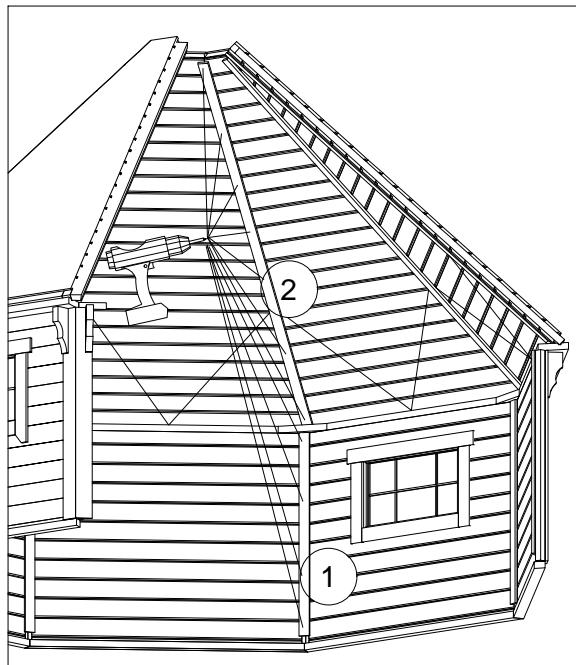
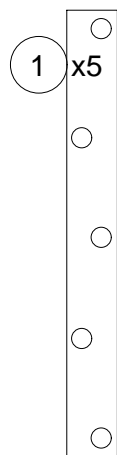
13.1 Grill / Camping Cabin 16.5

INSIDE FINISHING BOARD

-  ① x8
M-18x70x1105
or
M-18x70x1235
or
M-18x70x1365
-  ② x8
M-18x70x3040
-  ③ x150
T-GC-3.5X45

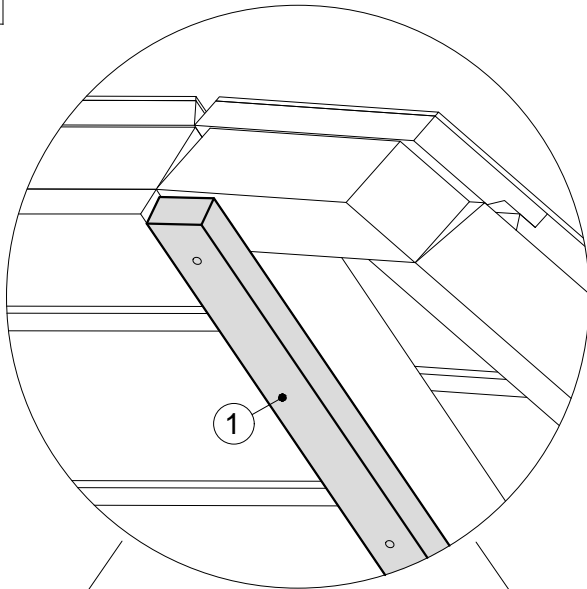
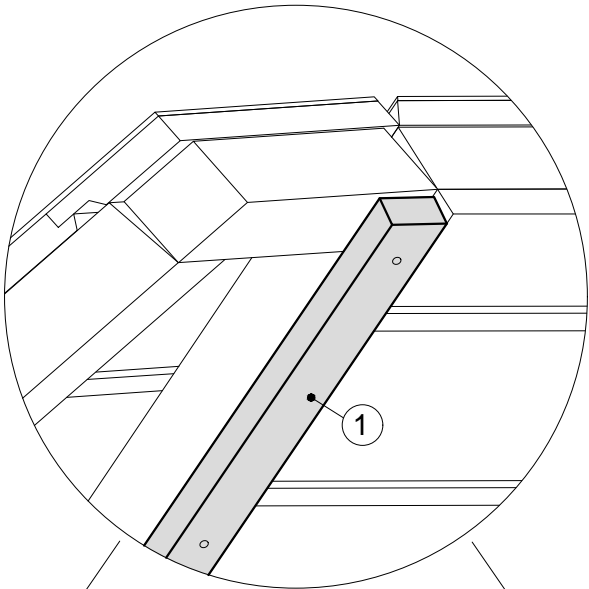
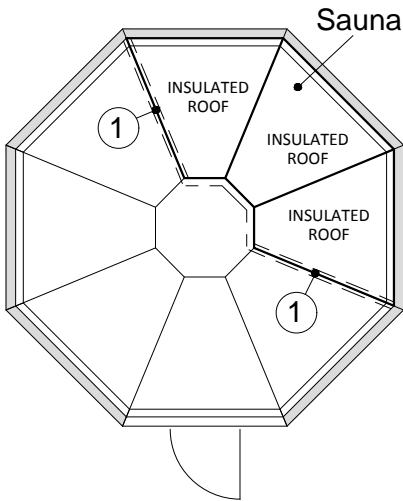
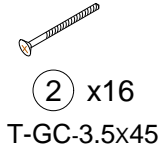
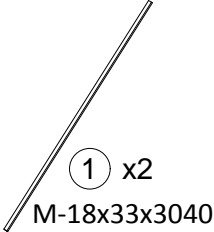
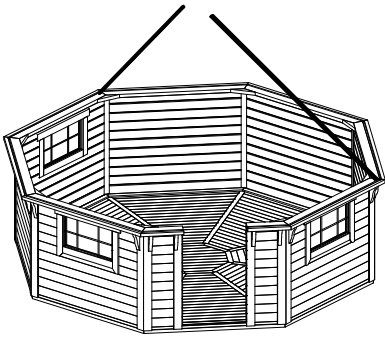


IF Sauna Cabin 16.5
WITH CHANGING ROOM



13.2 Sauna Cabin 16.5

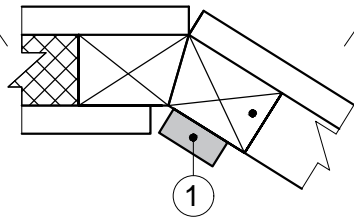
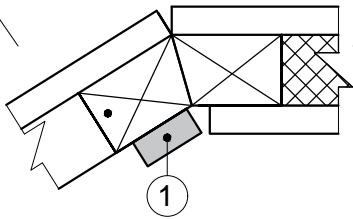
INSIDE FINISHING BOARD



COLD ROOF

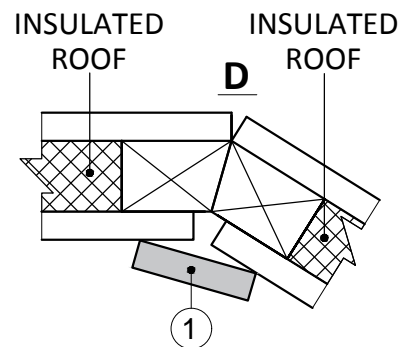
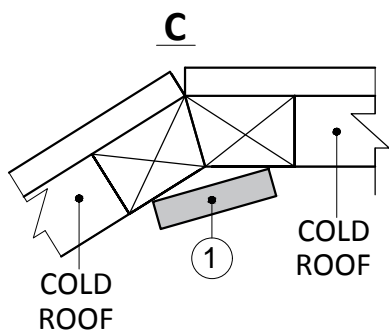
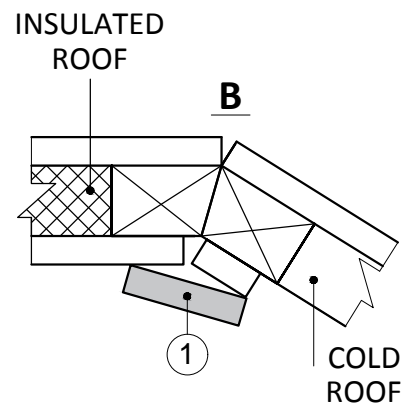
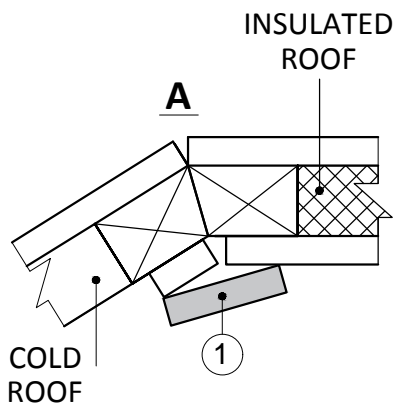
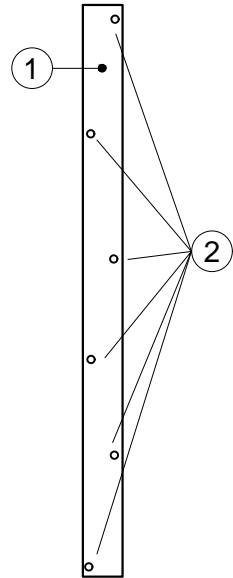
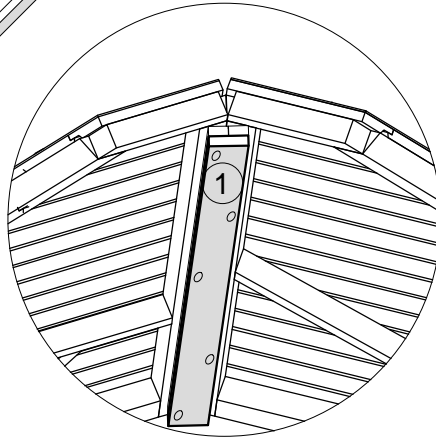
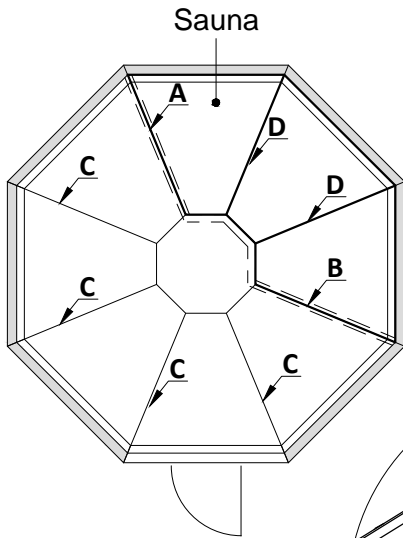
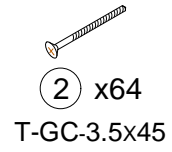
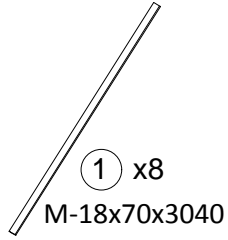
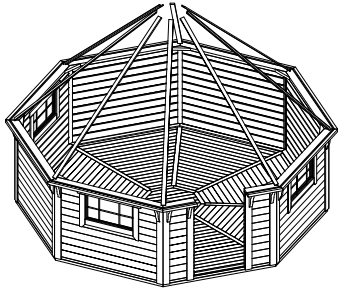
INSULATED ROOF

COLD ROOF

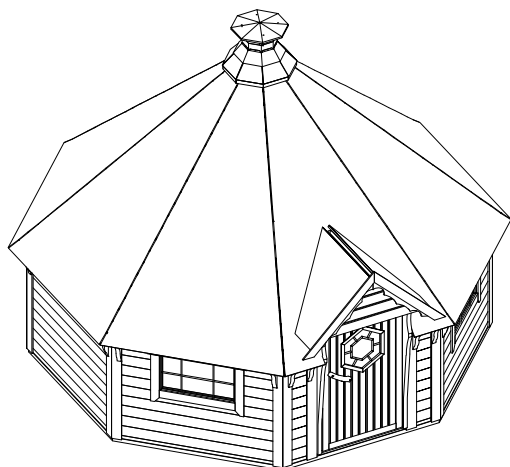


13.3 Sauna Cabin 16.5

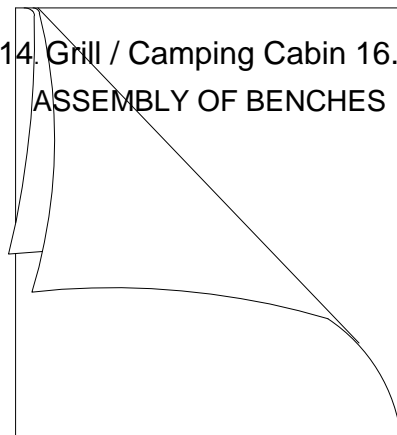
INSIDE FINISHING BOARD



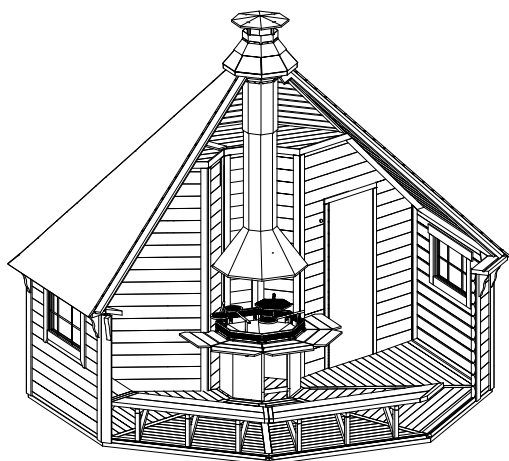
GRILL / CAMPING CABIN 16.5



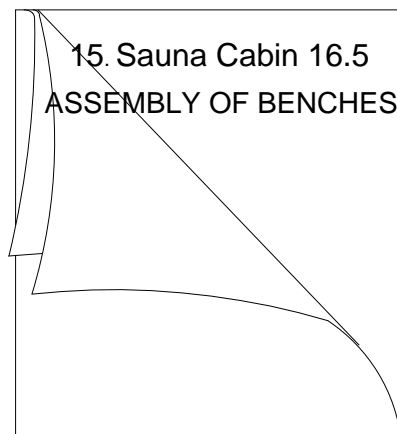
14. Grill / Camping Cabin 16.5
ASSEMBLY OF BENCHES



SAUNA CABIN 16.5 WITH CHANGING ROOM

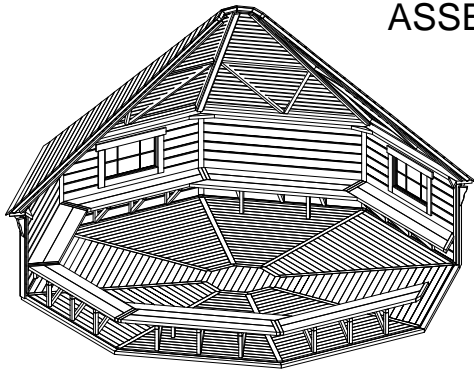


15. Sauna Cabin 16.5
ASSEMBLY OF BENCHES

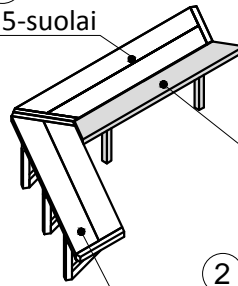


14. Grill / Camping Cabin 16.5

ASSEMBLY OF BENCHES



① x5
GR16.5-suolai



③ x2
GR16.5-suolu-
praplatinimas

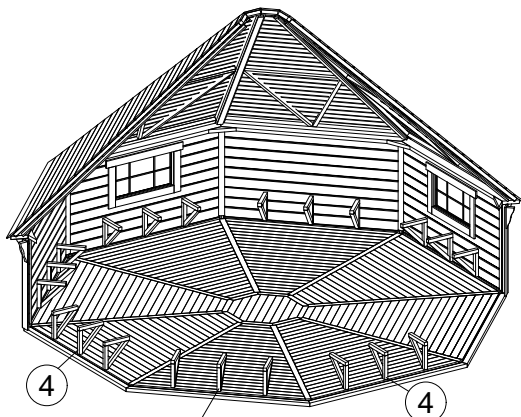
② x2
GR16.5-suolai-prailginimas

④ x21
GR-suolu-
kojos

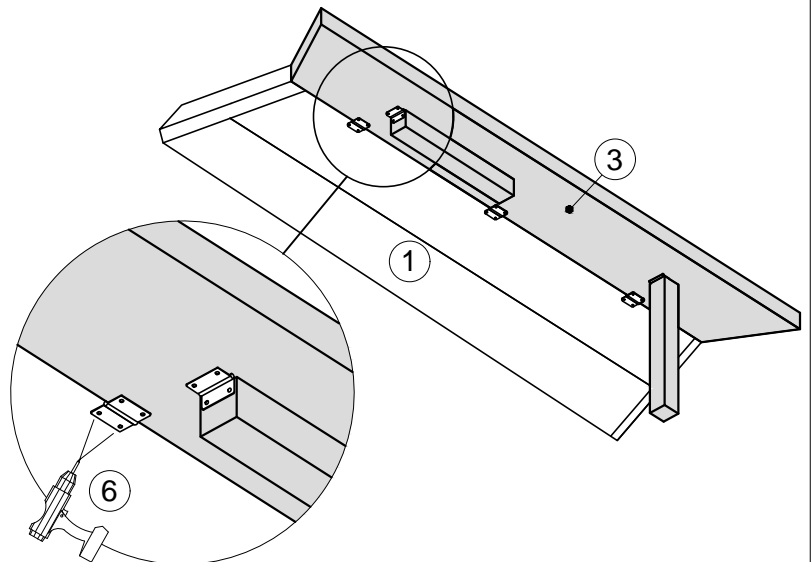
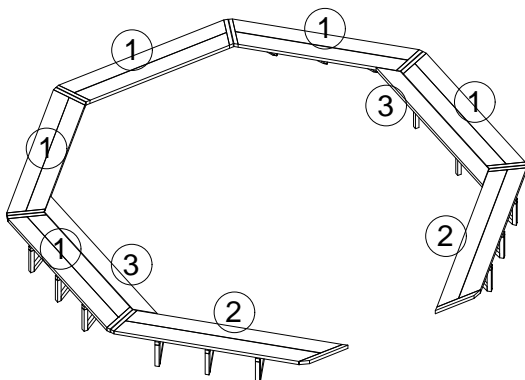
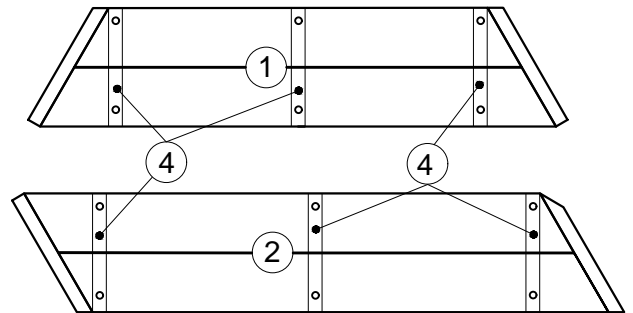
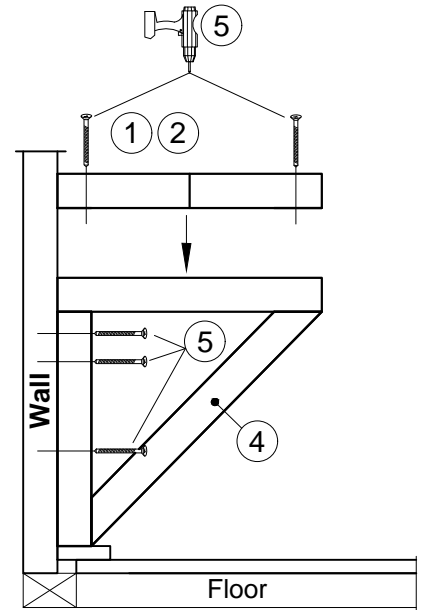
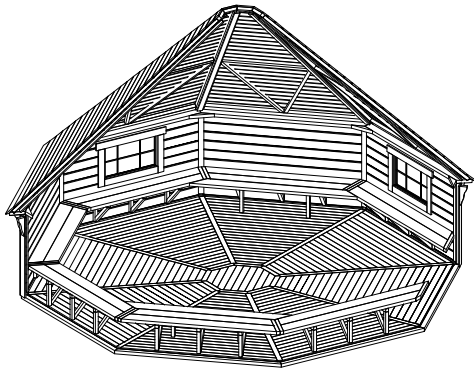
⑤ x105
T-GC-6x80

⑥ x14
T-GC-3x30

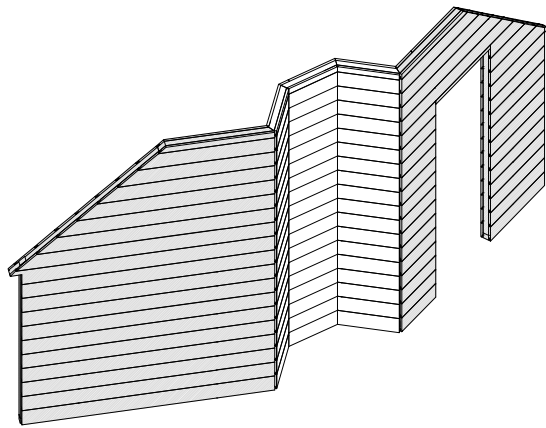
1 Step




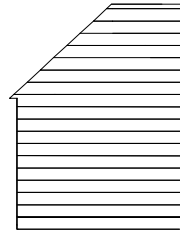
④
④
2 Step



15. Sauna Cabin 16.5 with changing room INSIDE WALL ASSEMBLY

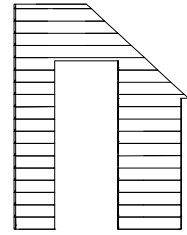


 **3** x16
T-GC-5x100



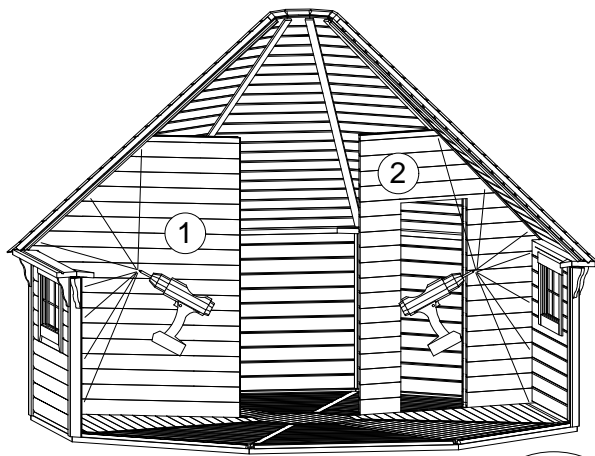
1 x 1

S16.5-Pertv-1902x2480

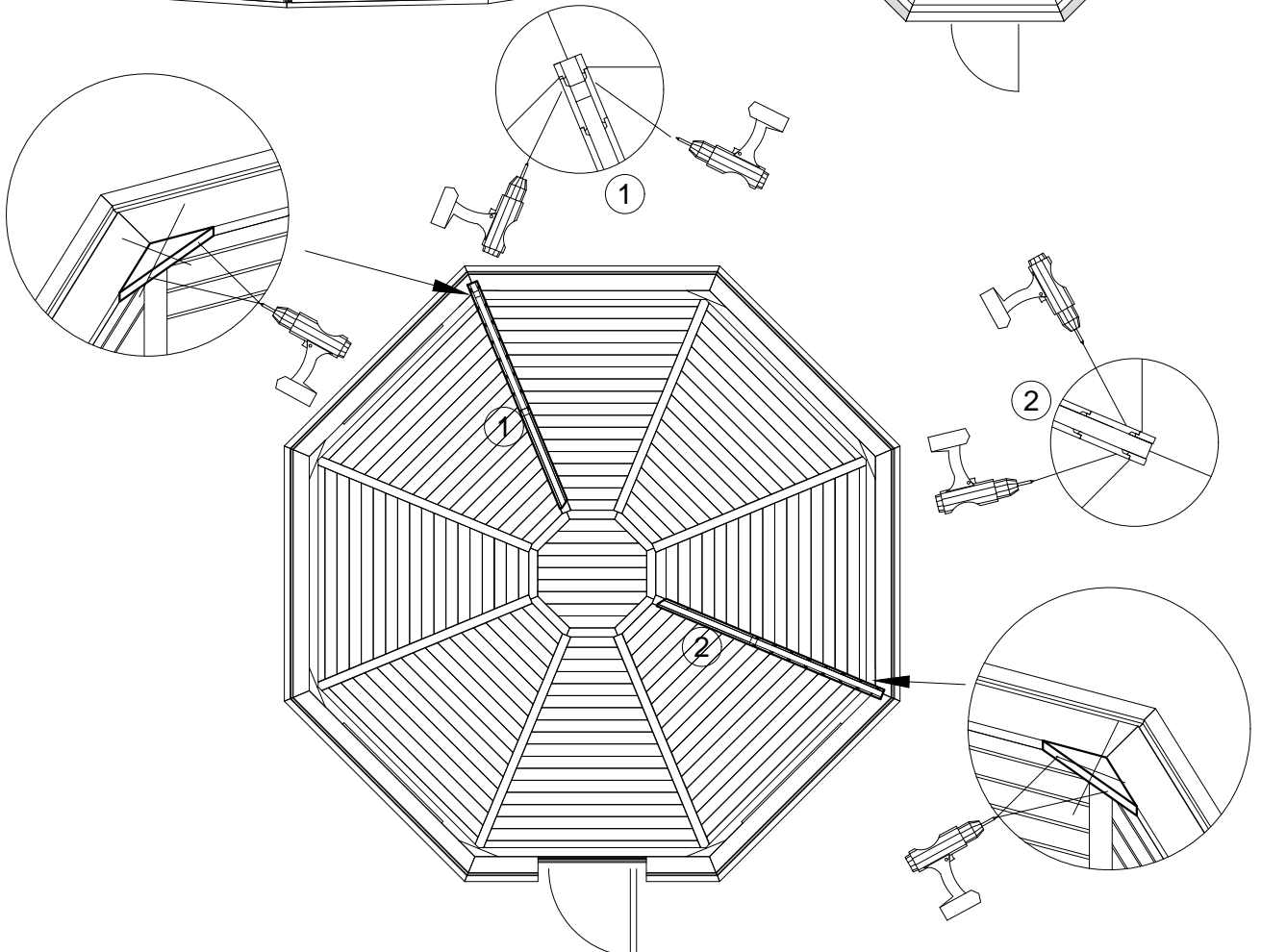
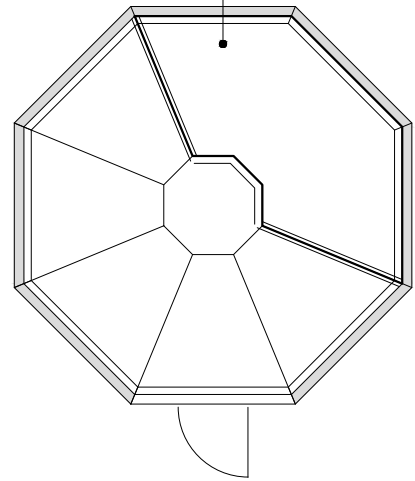


2 x 1

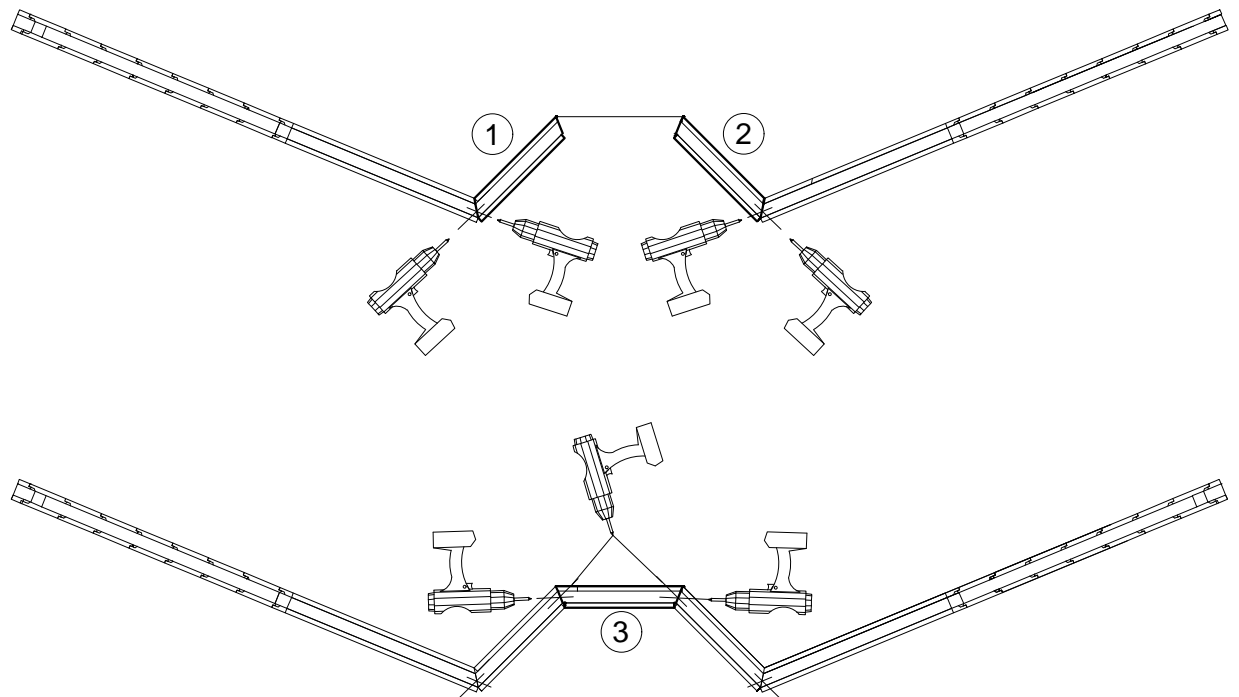
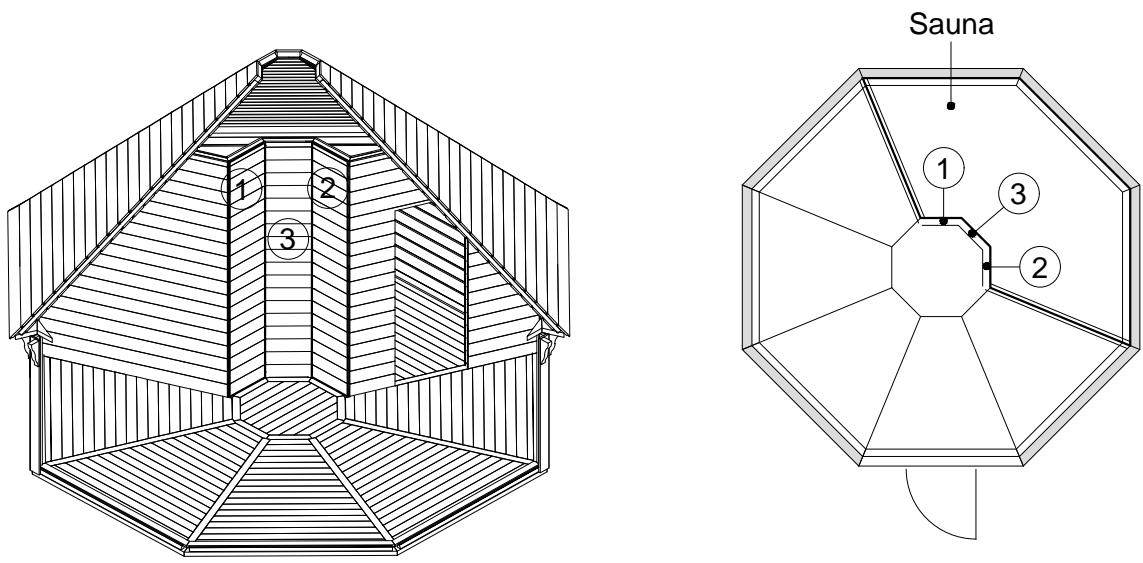
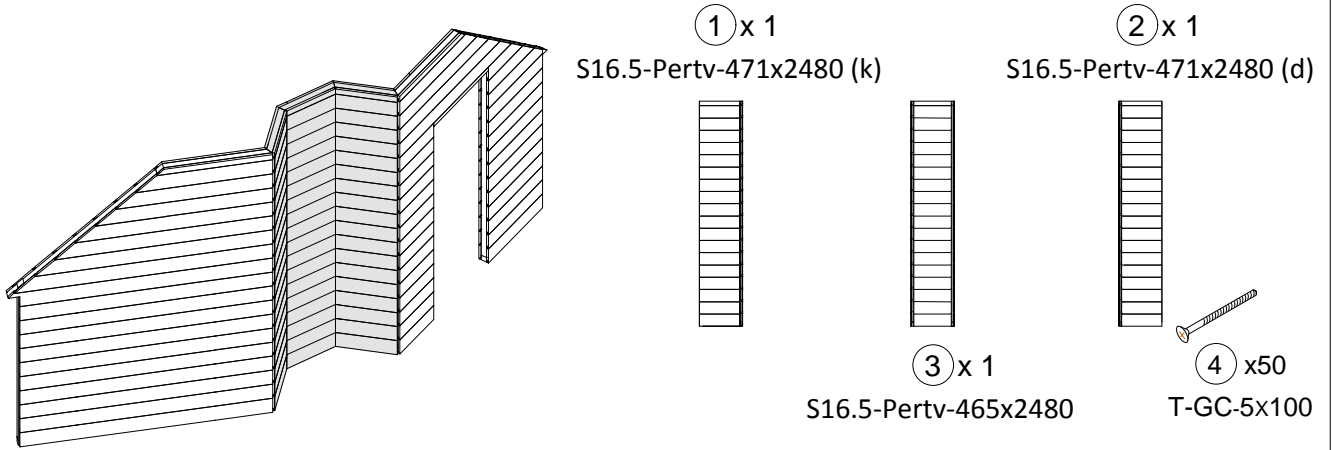
S16.5-PertvD-1902x2480



Sauna

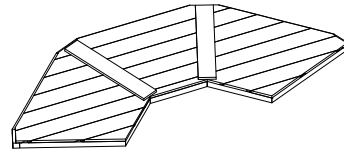
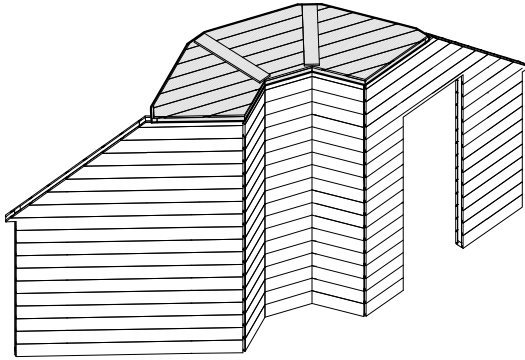


15.1 Sauna Cabin 16.5 with changing room INSIDE WALL ASSEMBLY



16. Sauna Cabin 16.5 with changing room

CEILING ASSEMBLY



① x 1

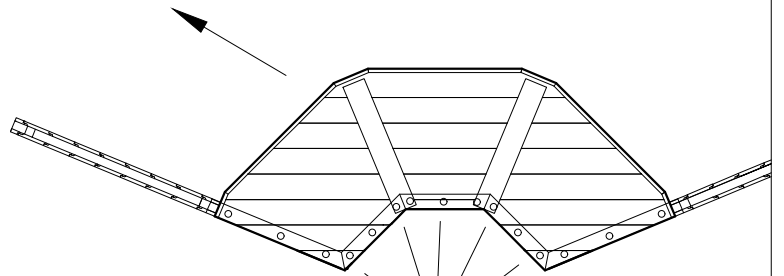
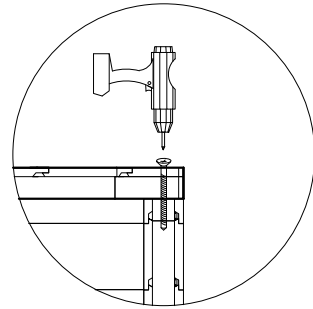
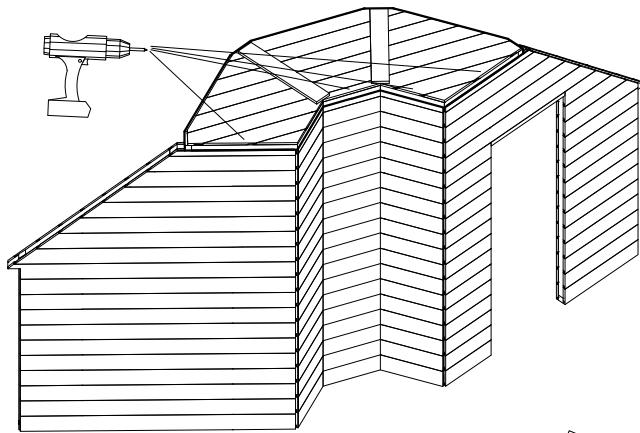
SGR16.5-Lubos-1066x2436



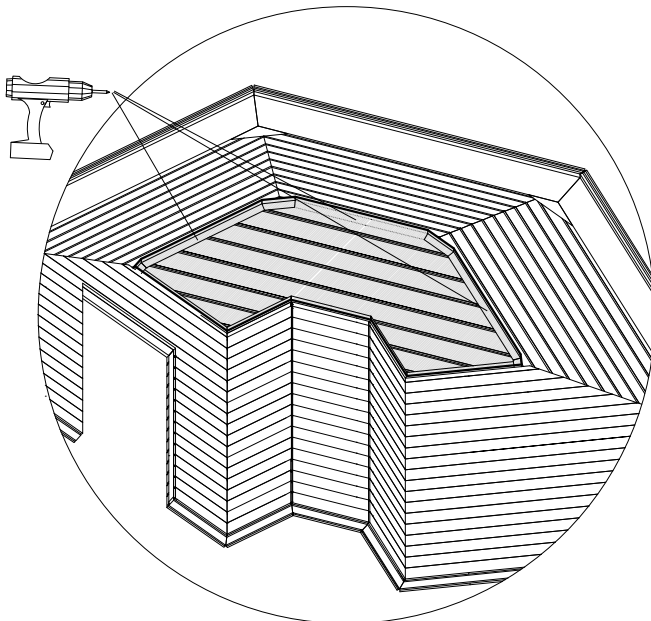
② x30

T-GC-5x100

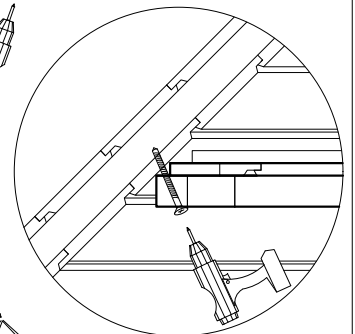
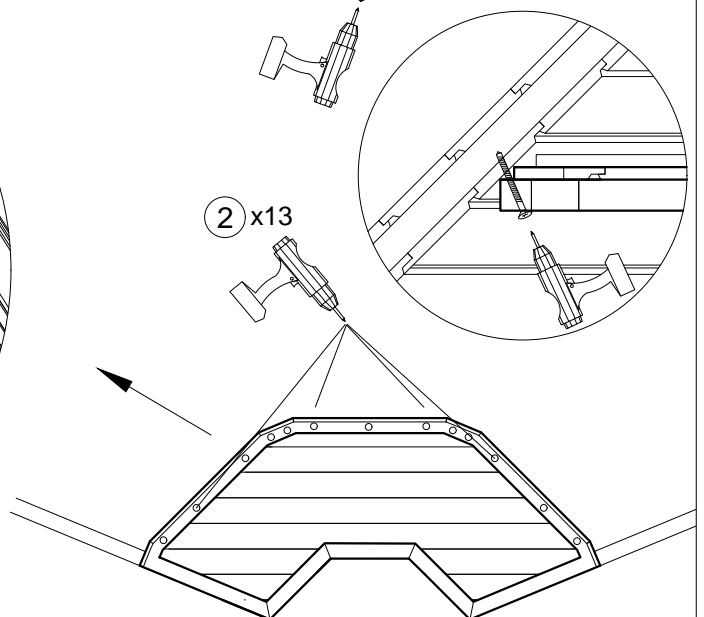
1 Step



2 Step

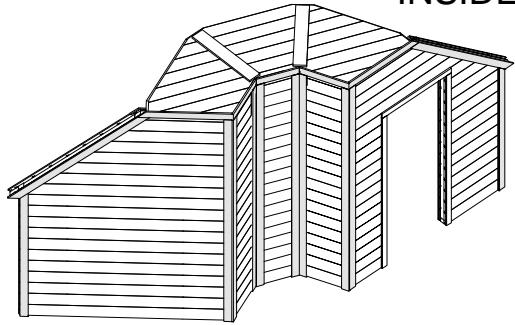


② x13



17. Sauna Cabin 16.5 with changing room

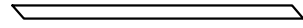
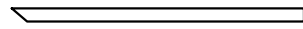
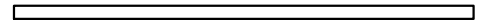
INSIDE WALL FINISHING BOARD



① x8
M-18x70x2473

② x4
M-18x70x1511-F

③ x2
M-18x70x1590-F



④ x2
M-18x70x813-F

⑤ x2
M-18x70x470

⑥ x1
M-18x70x393

⑦ x8
M-18x70x2410

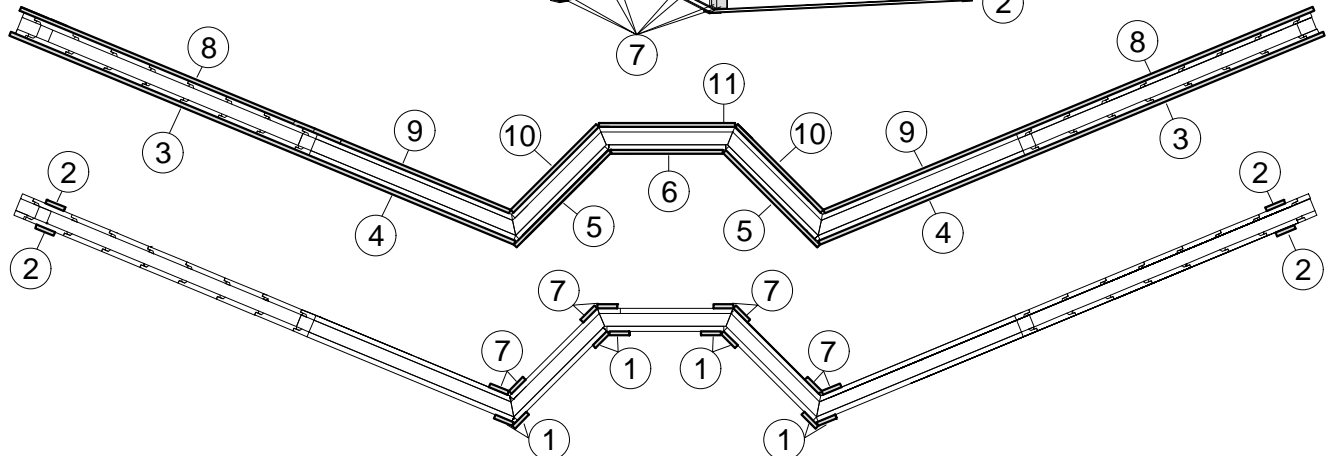
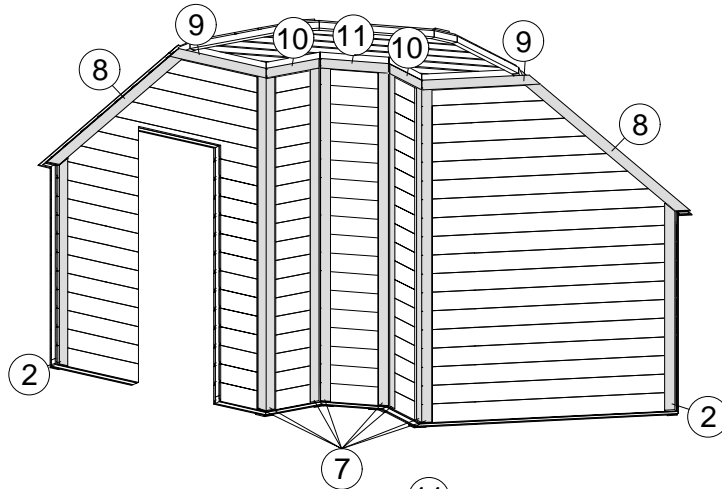
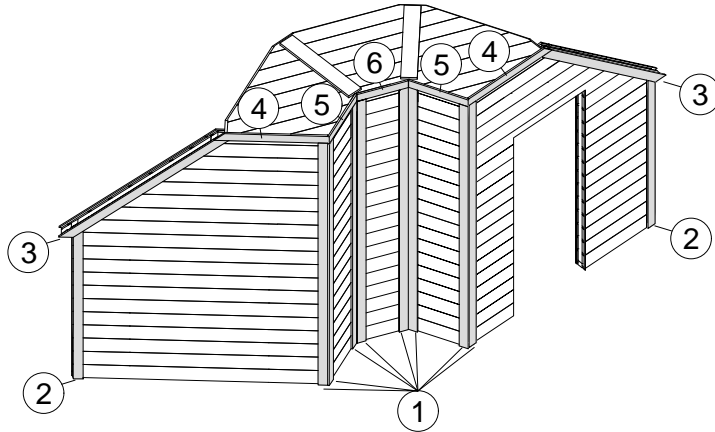
⑧ x2
M-18x70x1515-F

⑨ x2
M-18x70x824-F

⑩ x2
M-18x70x426

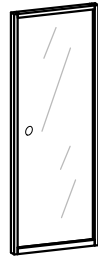
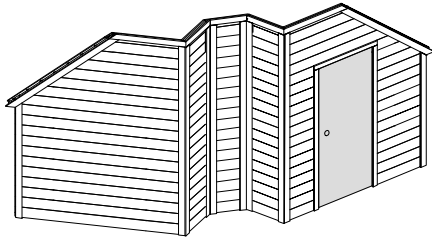
⑪ x1
M-18x70x480

⑫ x244
T-GC-3.5x45



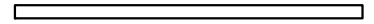
18. Sauna Cabin 16.5 with changing room

INSIDE DOOR AND FINISHING BOARD

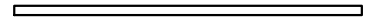


① x1
PUS00233

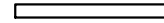
② x3
M-18x70x1840



③ x1
M-18x50x1840



④ x2
M-18x70x810

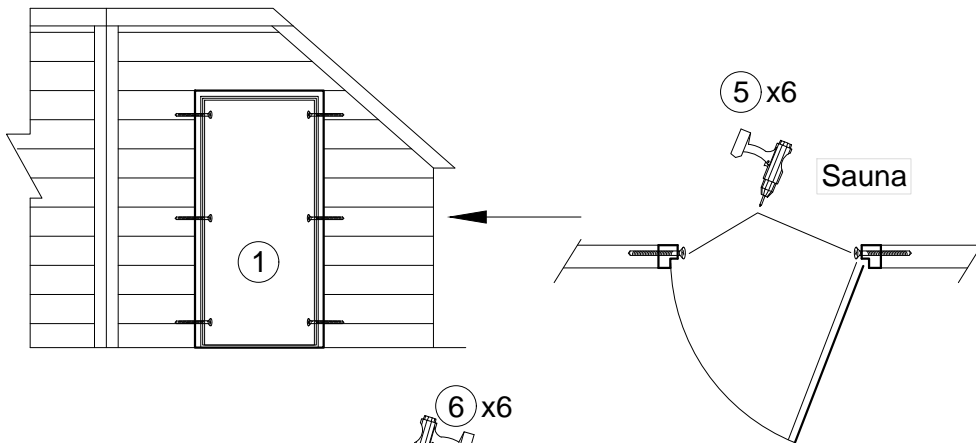


⑤ x6
T-GC-5x100

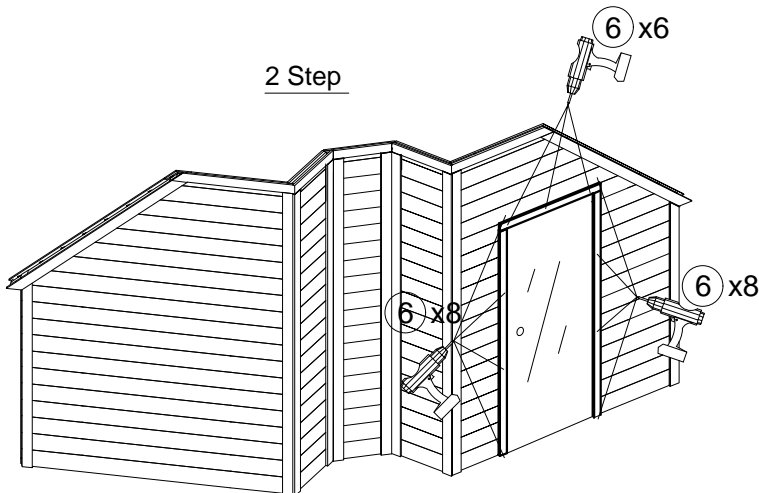


⑥ x48
T-GC-3.5x45

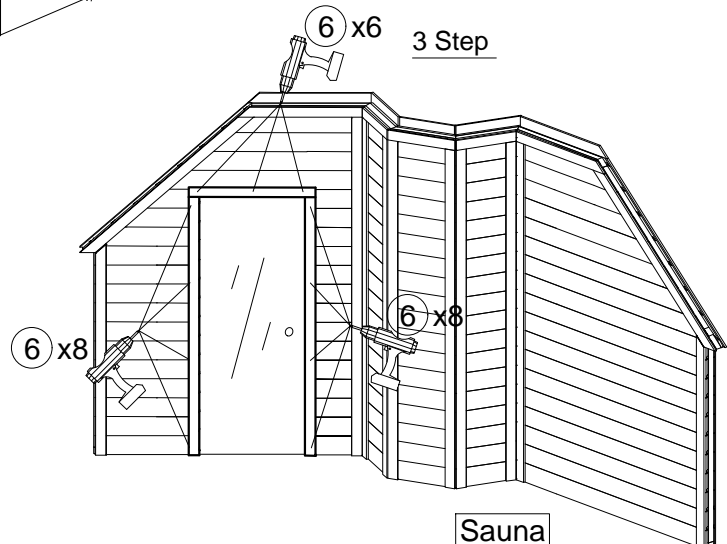
1 Step



2 Step

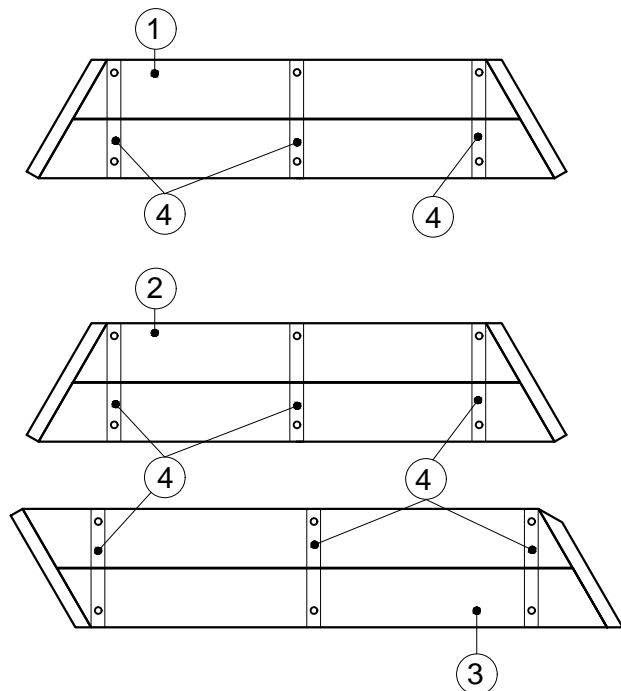
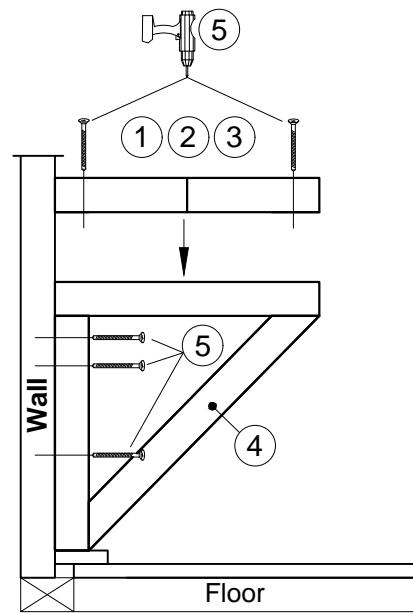
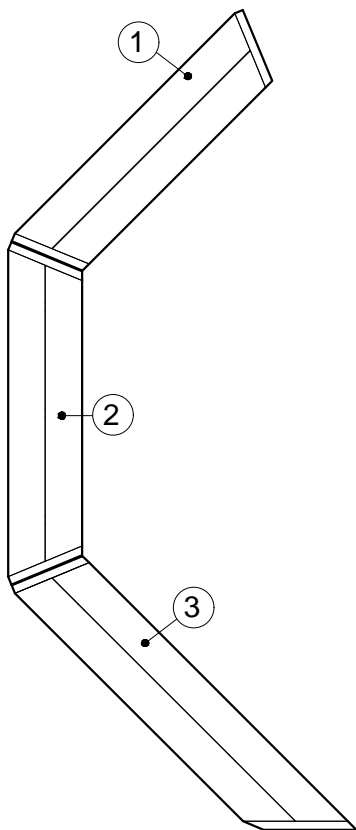
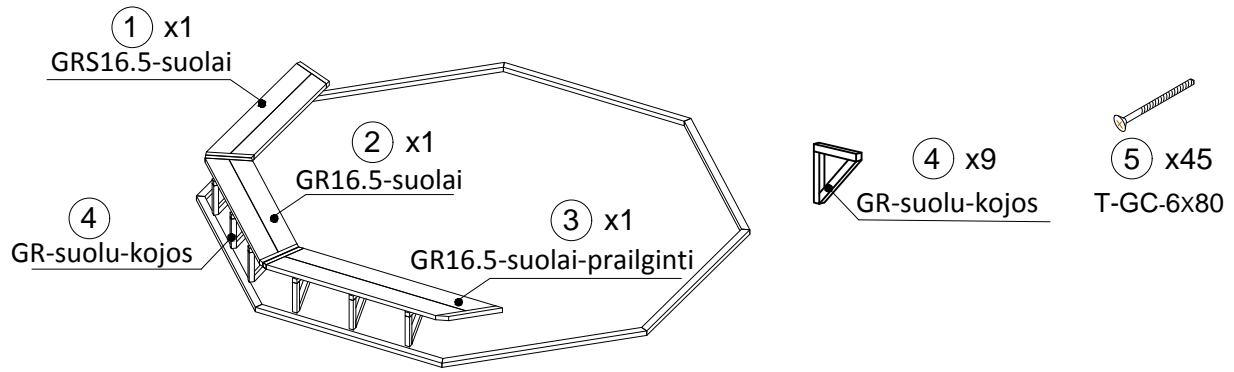


3 Step



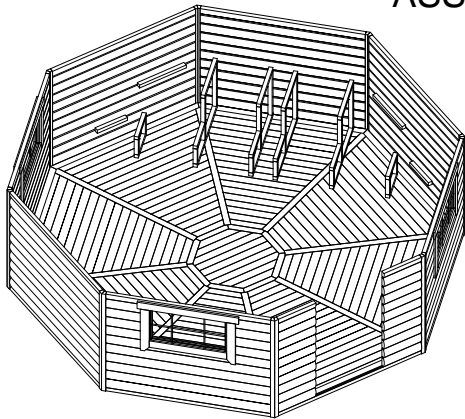
19. Sauna Cabin 16.5 with changing room

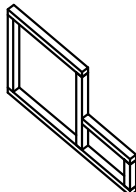

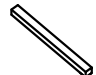
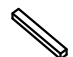

ASSEMBLY OF BENCHES

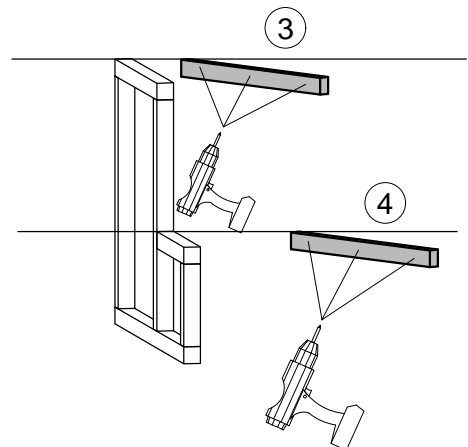
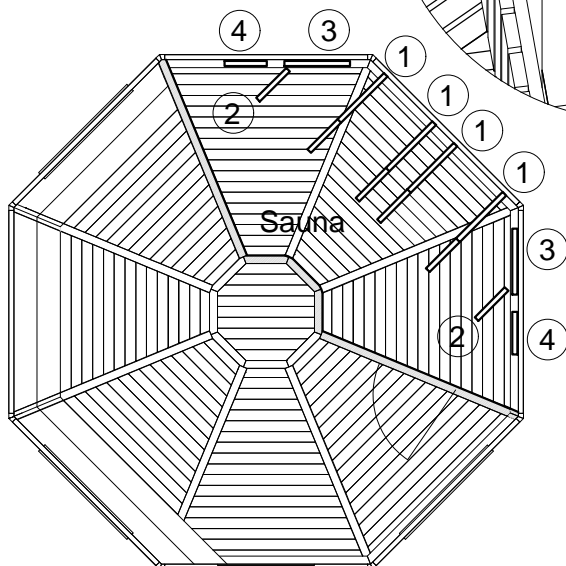
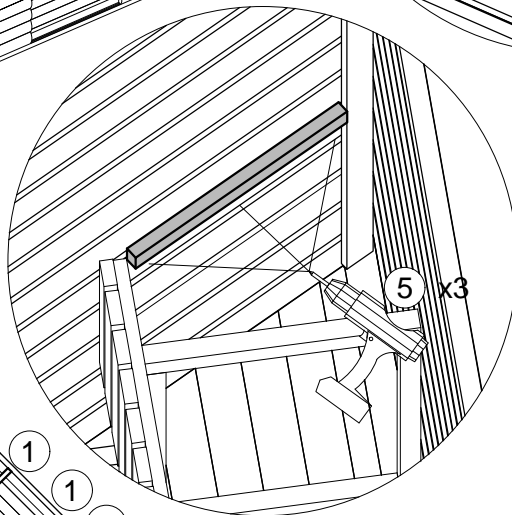
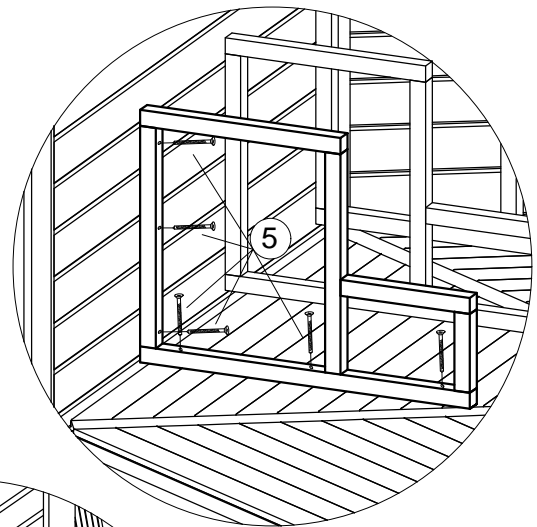
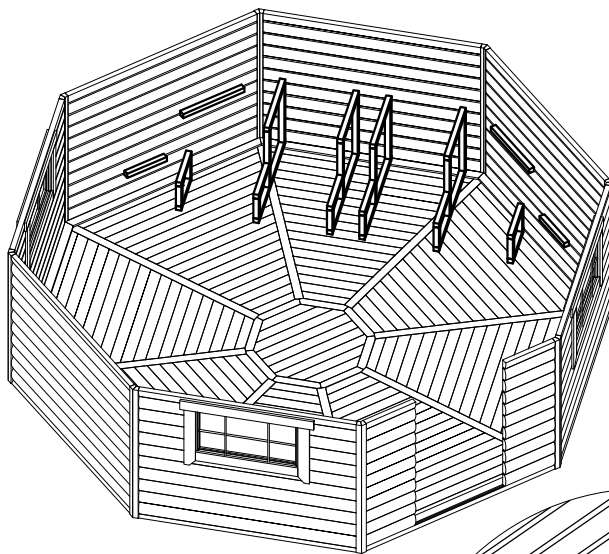


20. Sauna Cabin 16.5 with changing room

ASSEMBLY OF BENCHES

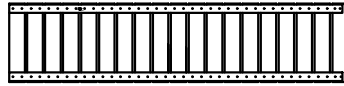
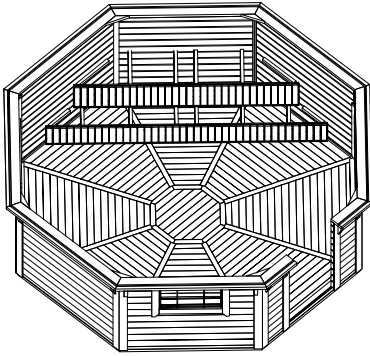


- 
1 x4
 S-koja-954x705
- 
2 x2
 S-koja-310x374
- 
3 x2
 M-45x45x374
- 
4 x2
 M-45x45x580
- 
5 x28
 T-GC-6x80

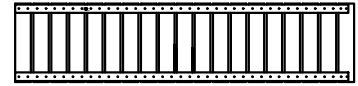


20.1 Sauna Cabin 16.5 with changing room

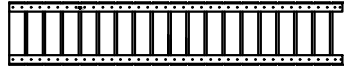
SAUNA BENCHES



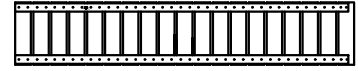
① x1
S16.5-gultas-1487x415



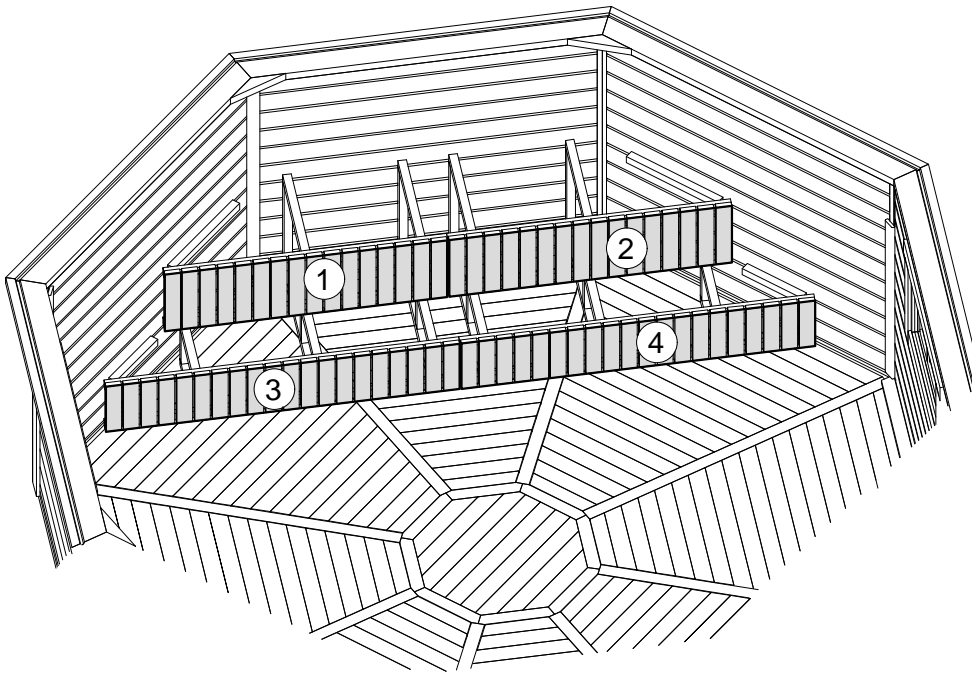
② x1
S16.5-gultas-1487x415



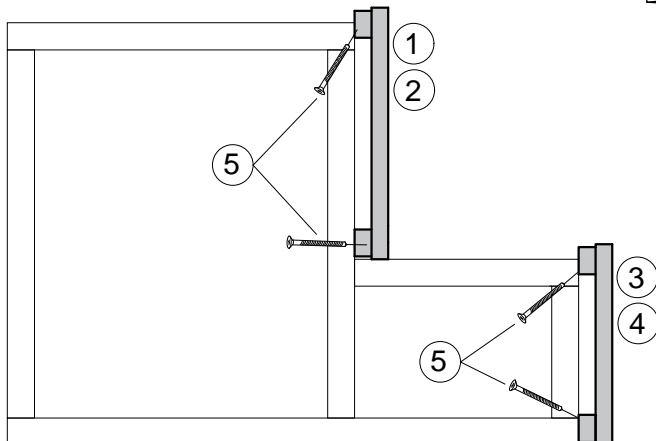
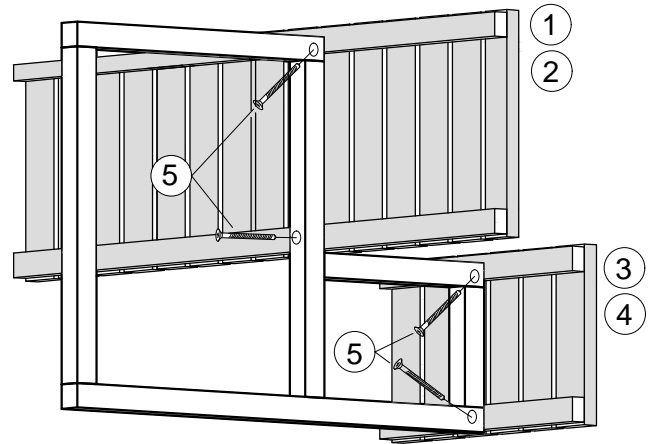
③ x1
S16.5-gultas-1859x330



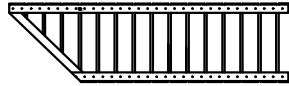
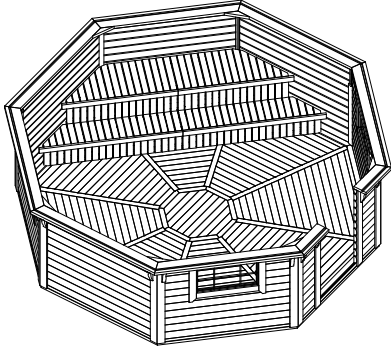
④ x1
S16.5-gultas-1859x330



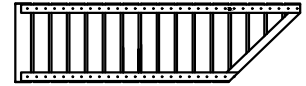
⑤ x24
T-GC-5x80



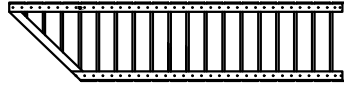
20.2 Sauna Cabin 16.5 with changing room SAUNA BENCHES



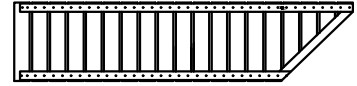
① x1
S16.5-gultas-628x1481



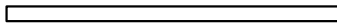
② x1
S16.5-gultas-628x1481



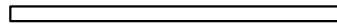
③ x1
S16.5-gultas-373x1854



④ x1
S16.5-gultas-373x1854



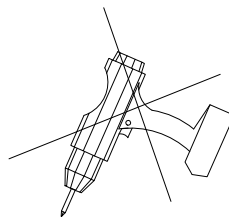
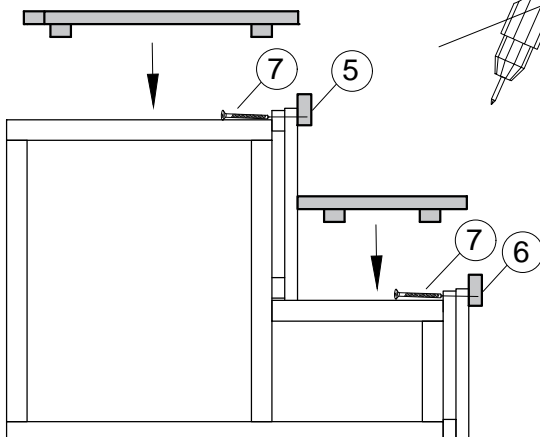
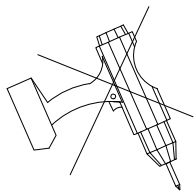
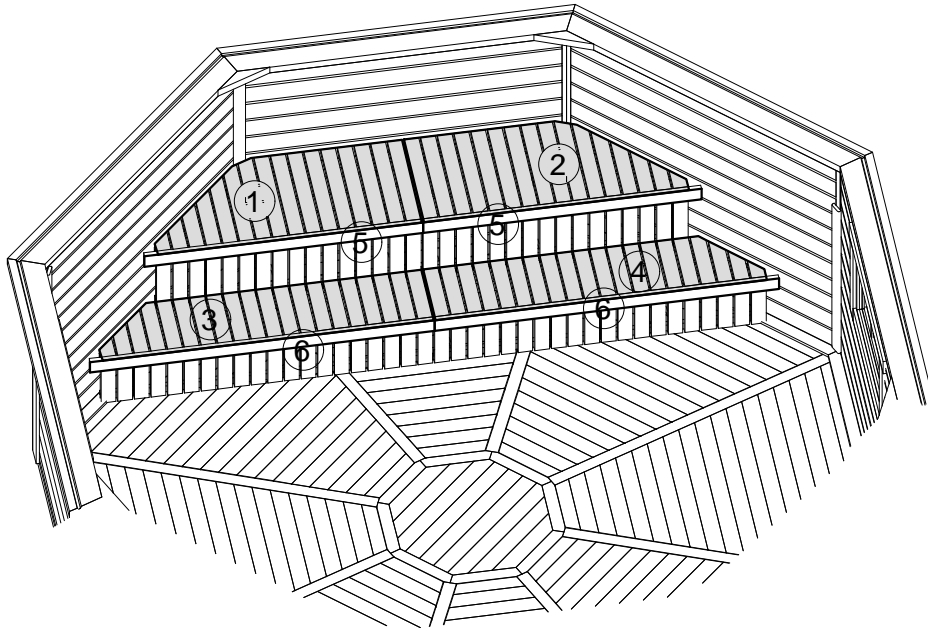
⑤ x1
Mpl-28x82x1558



⑥ x1
Mpl-28x82x1926

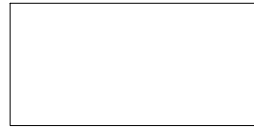
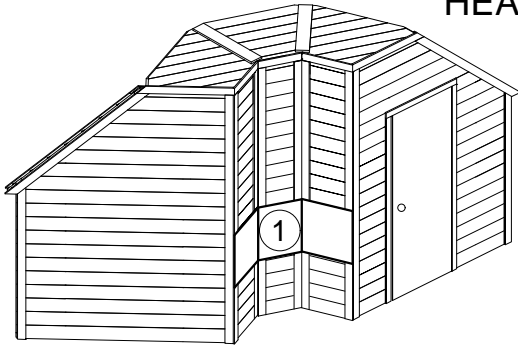


⑦ x30
T-GC-5x80



21. Sauna Cabin 16.5 with changing room

HEAT- RESISTANT PLATES

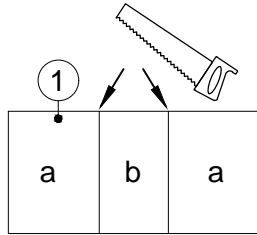


① x2
HEAT- RESISTANT
PLATE

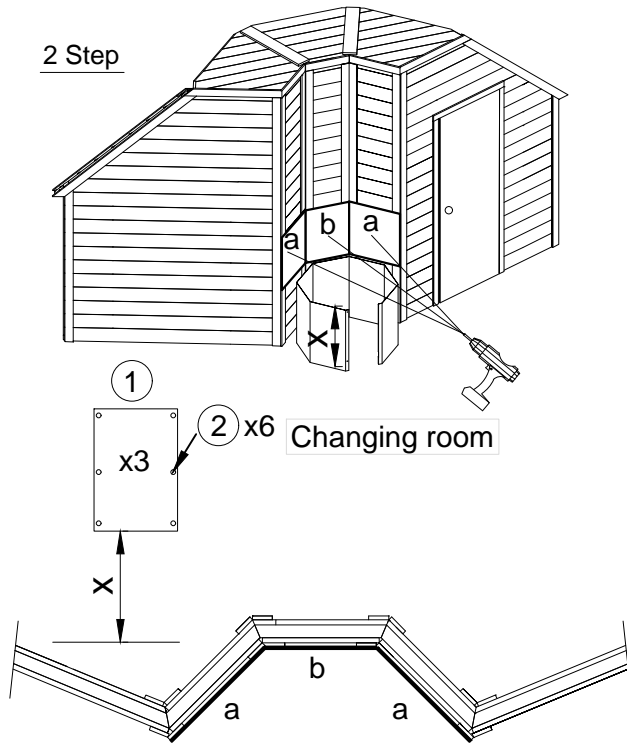


② x28
T-GC-3.5x45

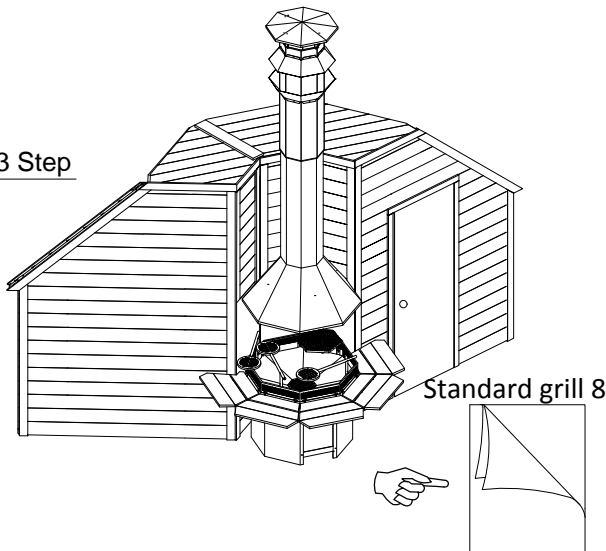
1 Step



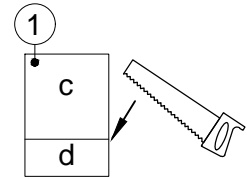
2 Step



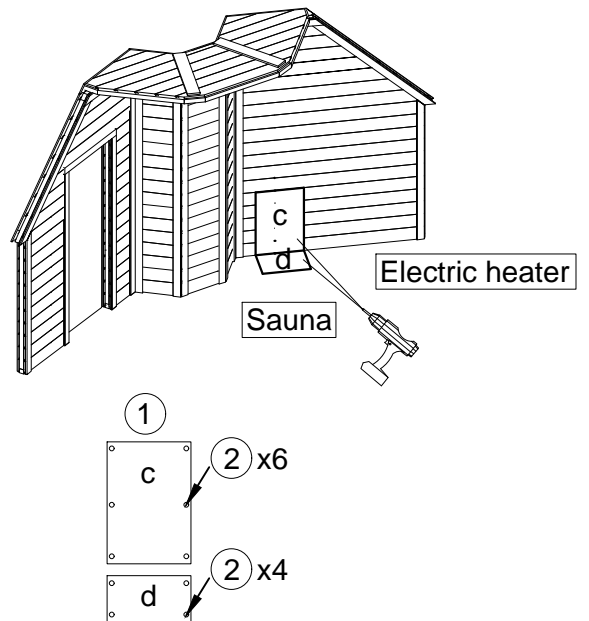
3 Step



1 Step



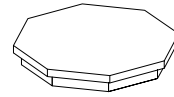
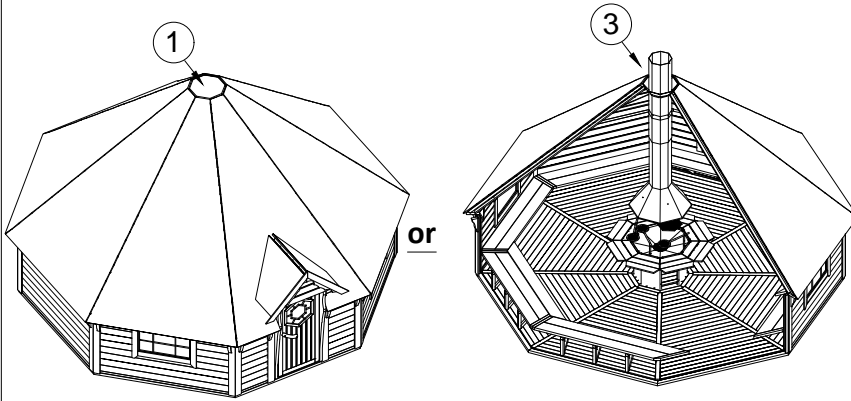
2 Step



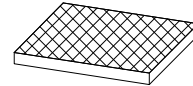
ATTENTION !

FOLLOW THE MANUFACTURER'S
RECOMENDATIONS WHEN INSTALLING
THE SAUNA HEATER

22. Grill / Camping / Sauna Cabin 16.5

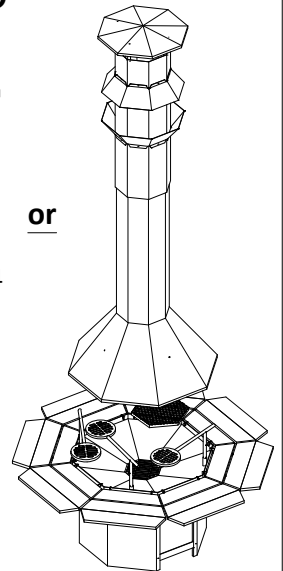


① x1
GR8k-Stog-
dangtis-511x554



If insulated roof

② x1
Akmens vata

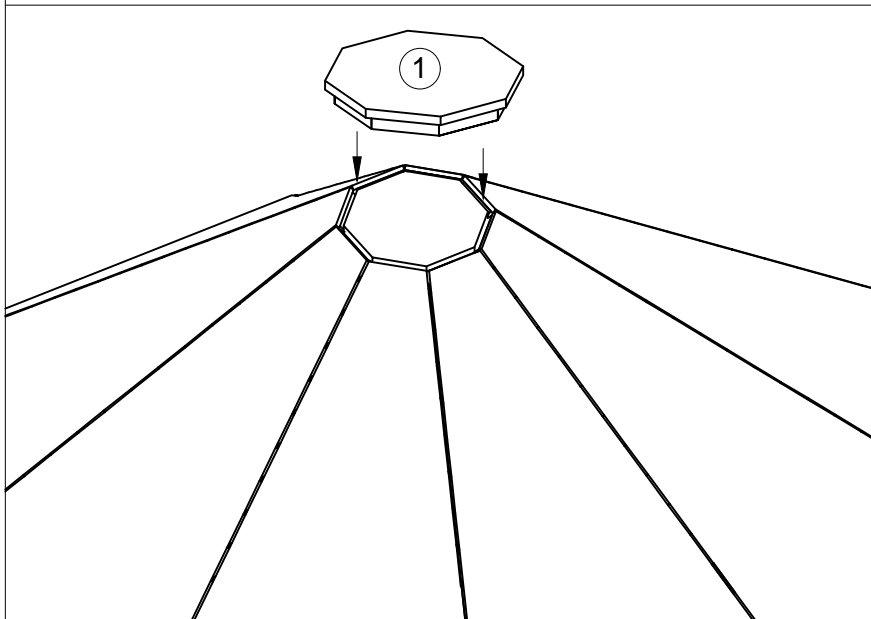
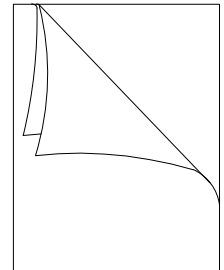


or

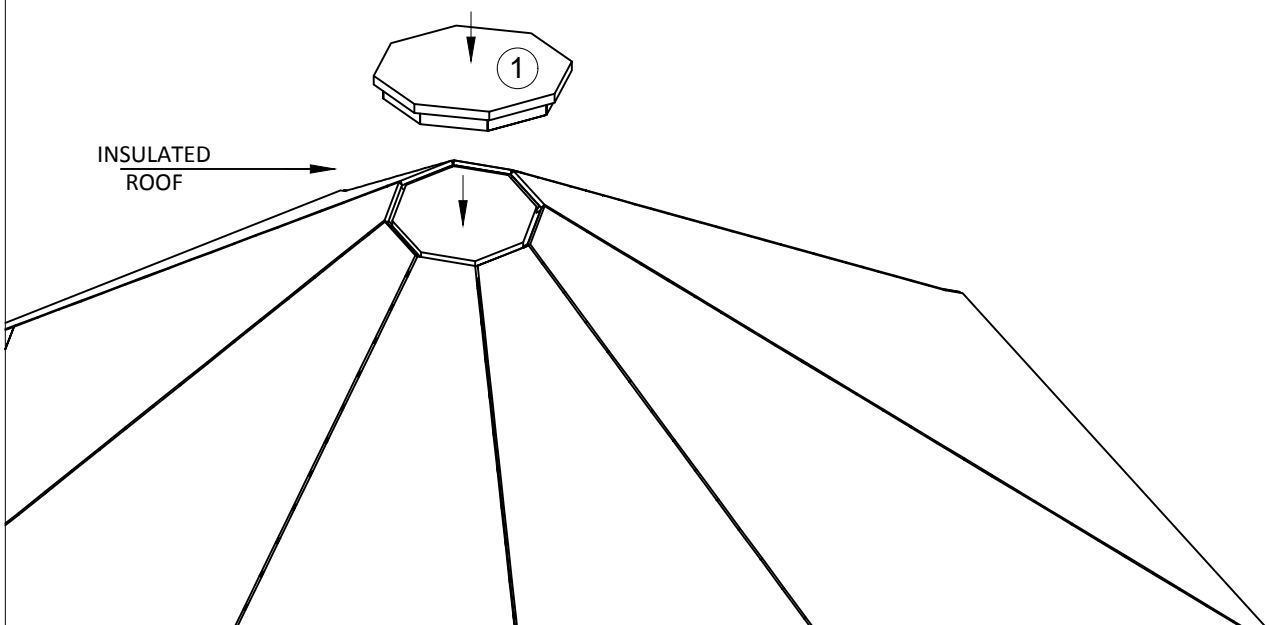
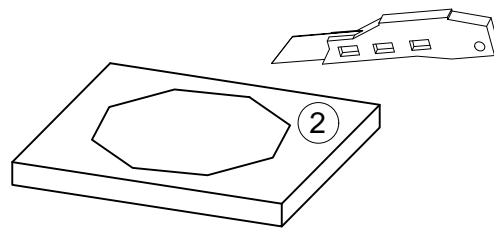
③ x1
GRC08
or
GRCV01
or
GRL06
or
GRP08



Standard grill 8

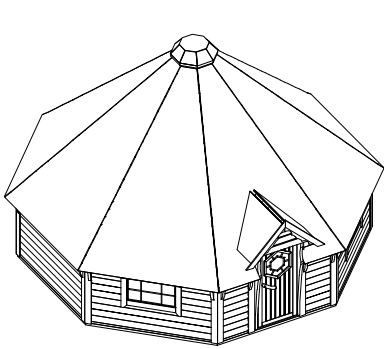


or

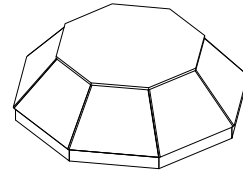
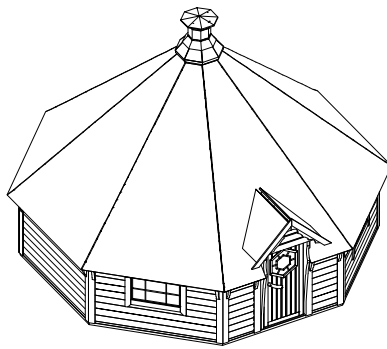


23. Grill / Camping / Sauna Cabin 16.5

ROOF HAT



or

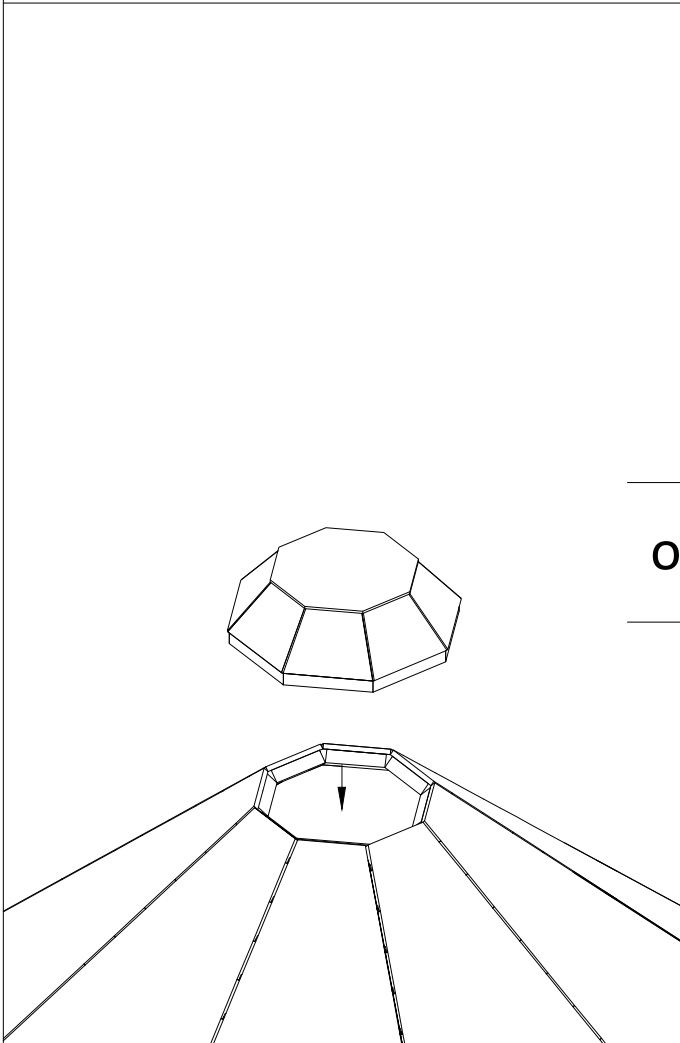


① x1

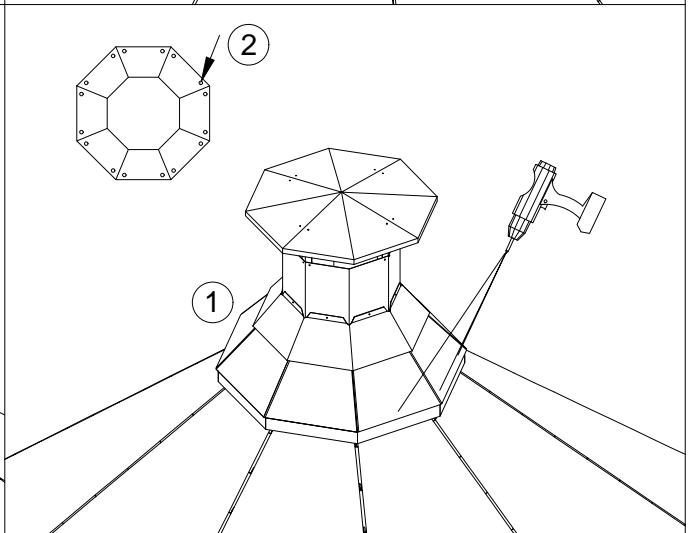
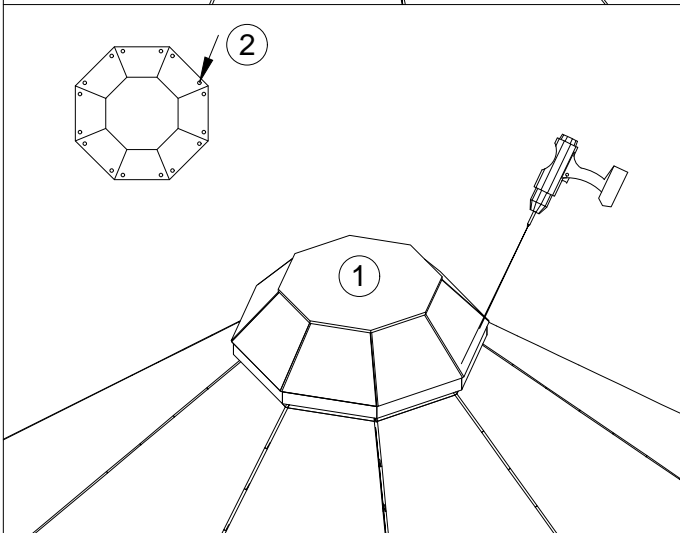
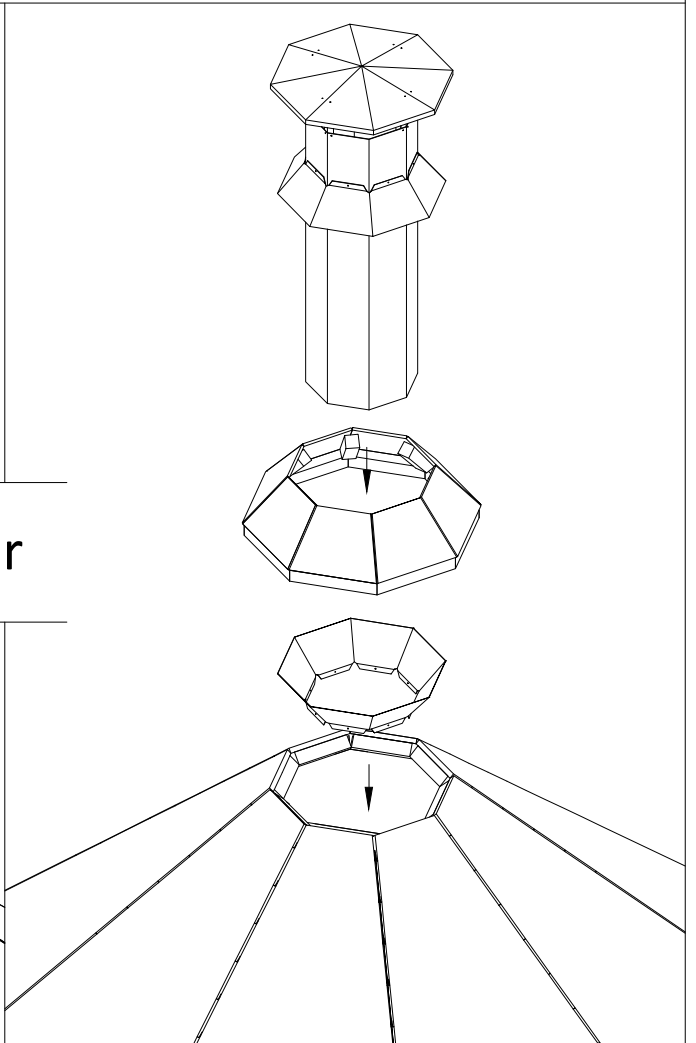
② x16

GR8k-Kepures-dangtis
or
GR8k-Kepure

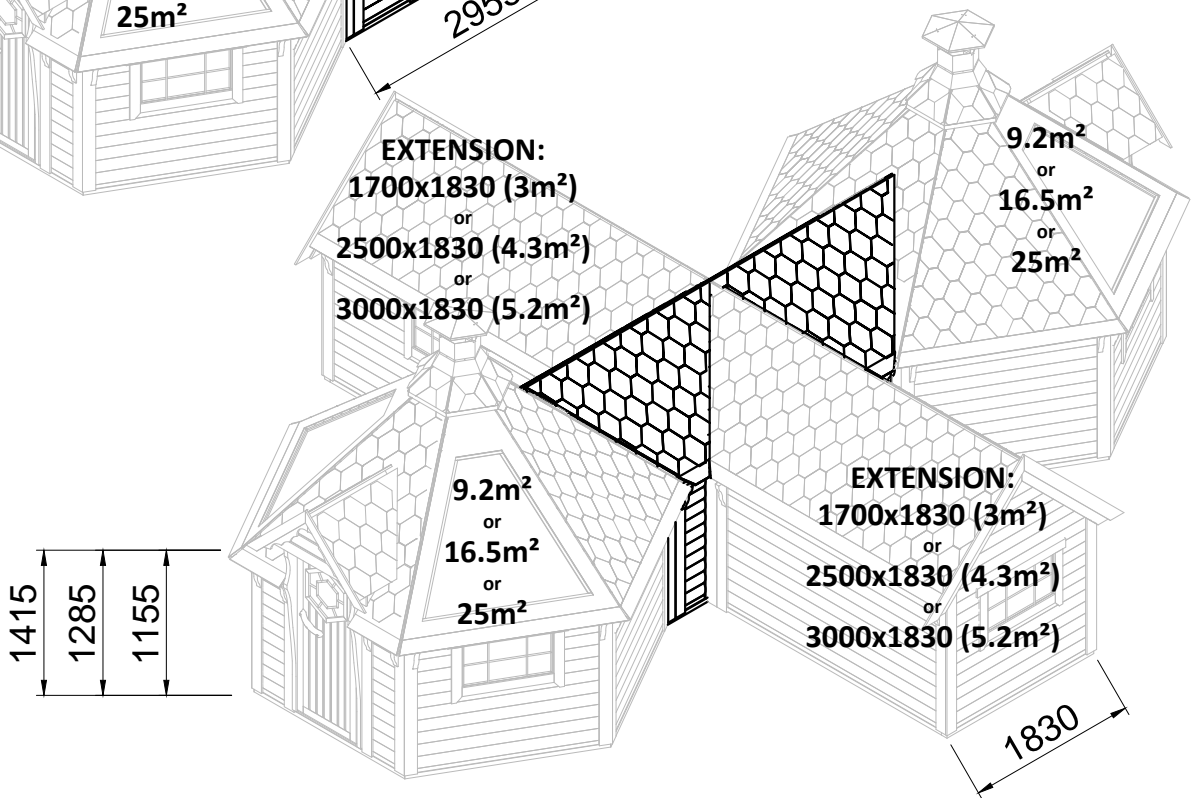
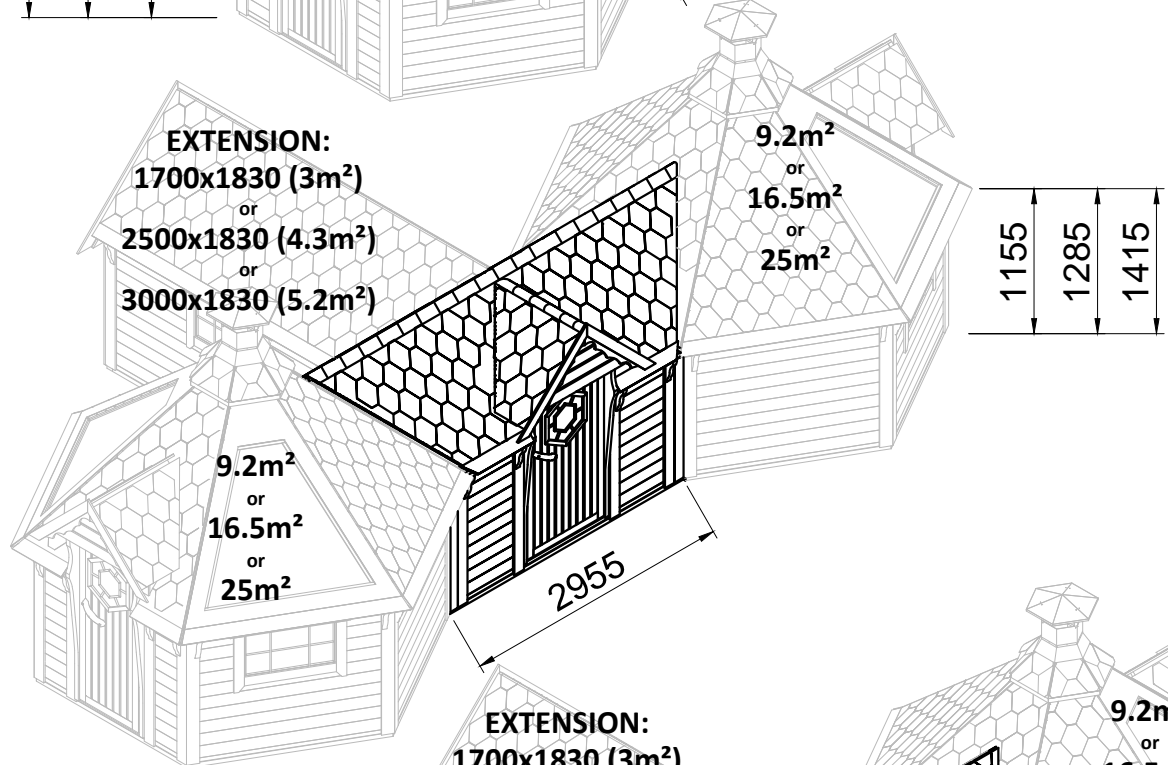
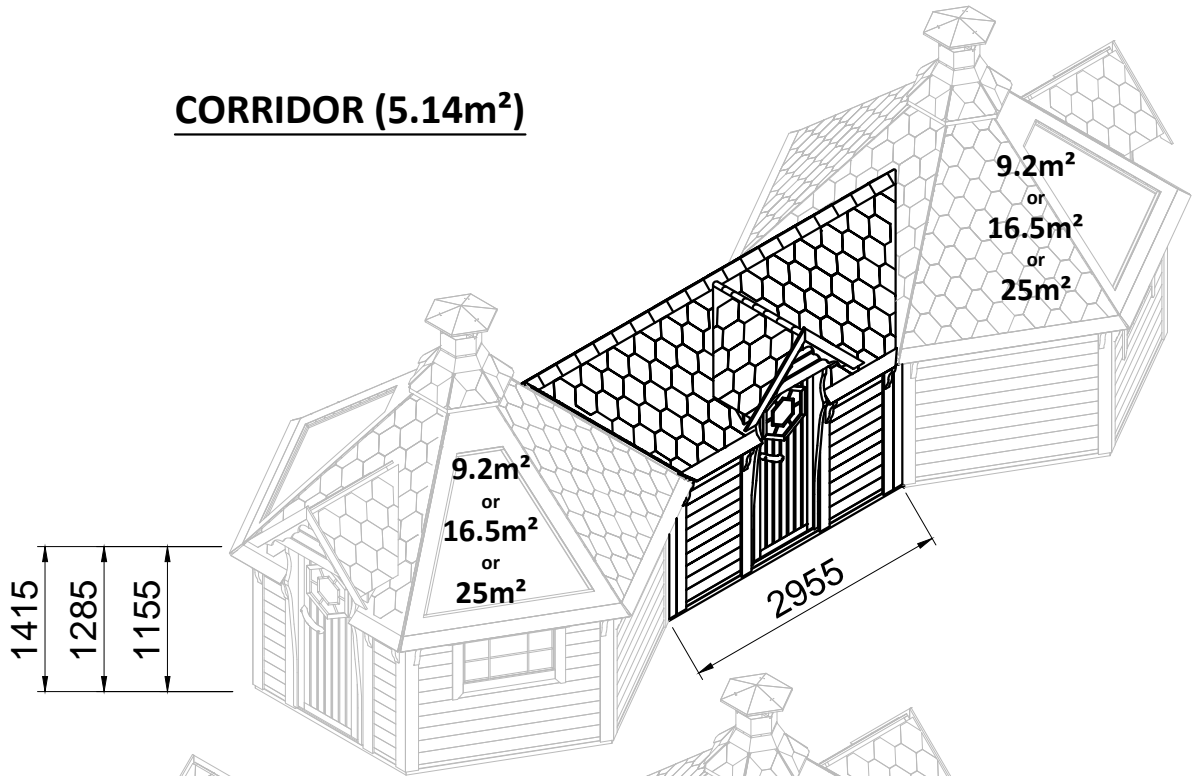
T-GC-4x70



or

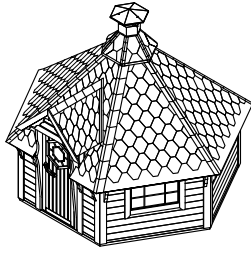


CORRIDOR (5.14m²)

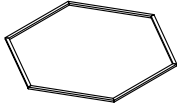


Stages of assembly

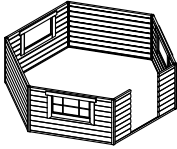
Grill



1. Step:
wood ring



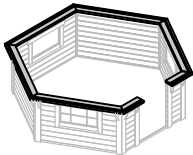
2. Step:
walls



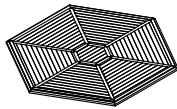
3. Step:
decoration (support)



4. Step:
roof support ring



5. Step:
floors



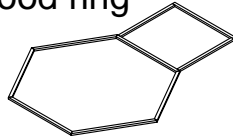
6. Step:
roof



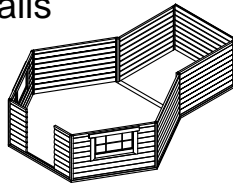
Grill+Extension



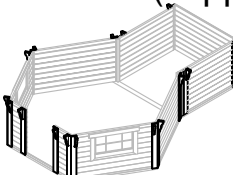
1. Step:
wood ring



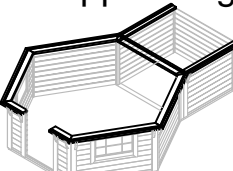
2. Step:
walls



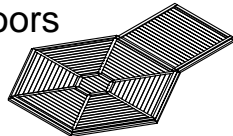
3. Step:
decoration (support)



4. Step:
roof support ring



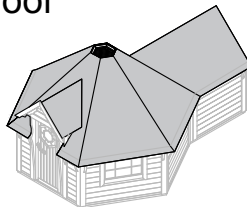
5. Step:
floors



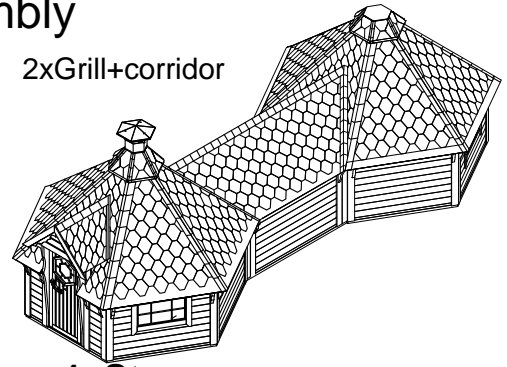
6. Step:
inside wall



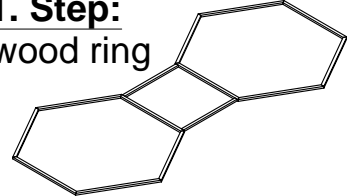
7. Step:
roof



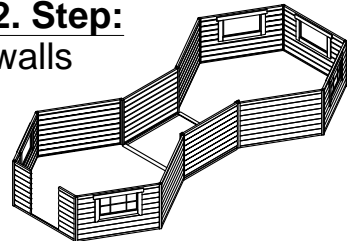
2xGrill+corridor



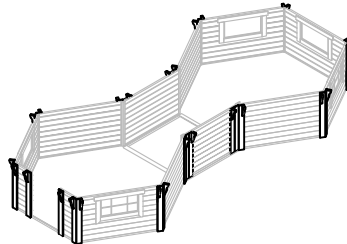
1. Step:
wood ring



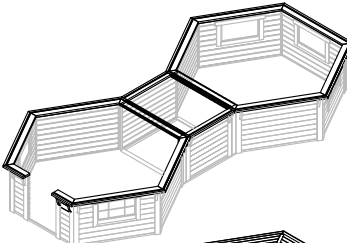
2. Step:
walls



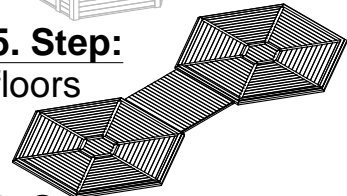
3. Step:
decoration (support)



4. Step:
roof support ring



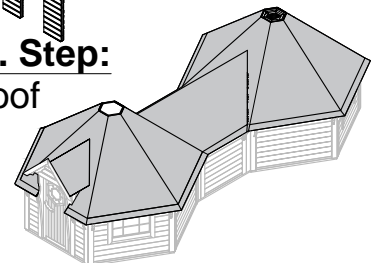
5. Step:
floors



6. Step:
inside wall



7. Step:
roof



Corridor Foundation

It is very important to have a proper foundation.

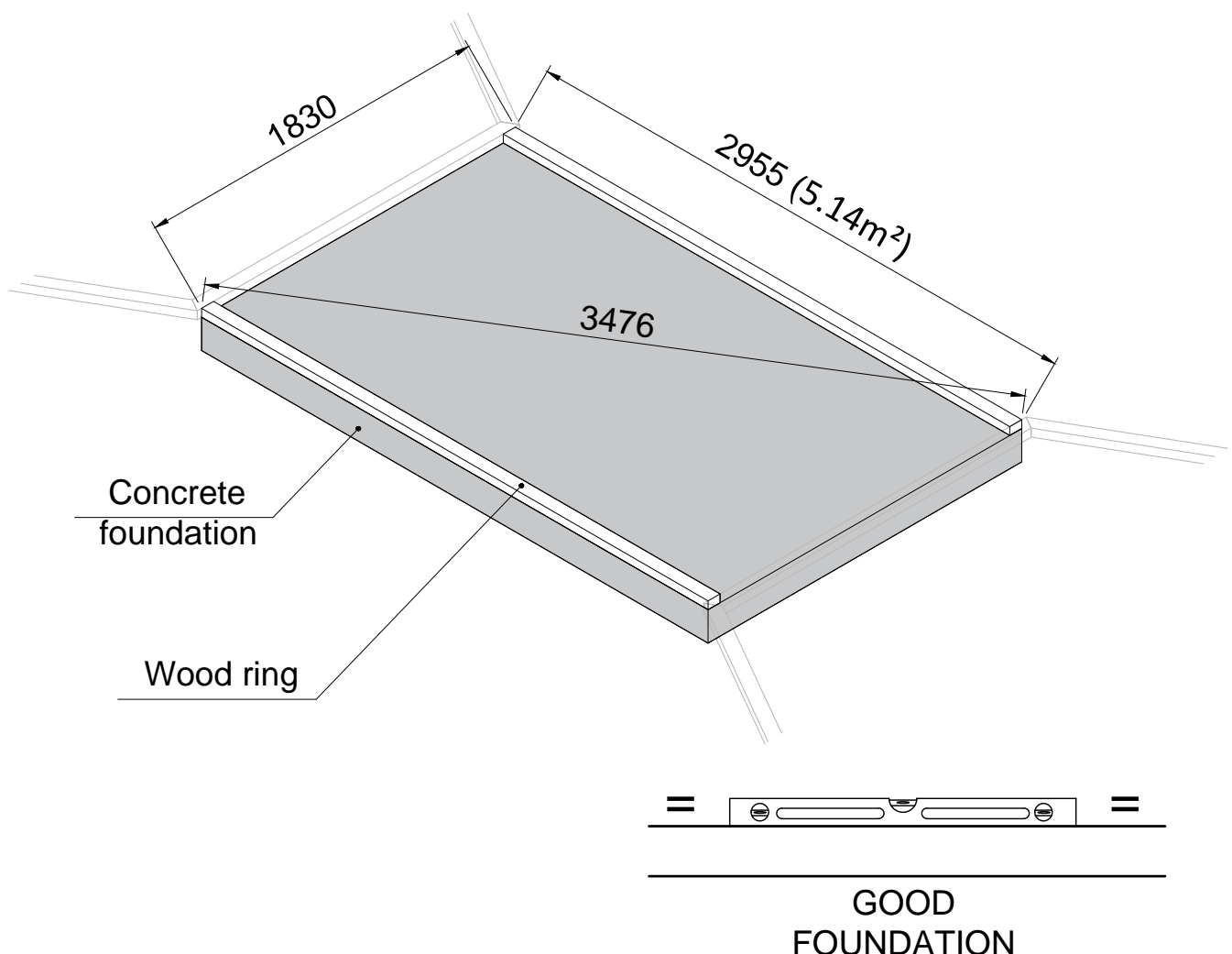
Therefore we recommend making the foundation according to the sketches here. First of all, foundation must be prepared according to the landscape and ground conditions.

The foundation under the product must be prepared specially, it must be homogeneous, tight and equal. It must be ensured that it will not change its properties. We recommend using concrete foundation. Before installation of product, we recommend to make hydro isolation of foundation.

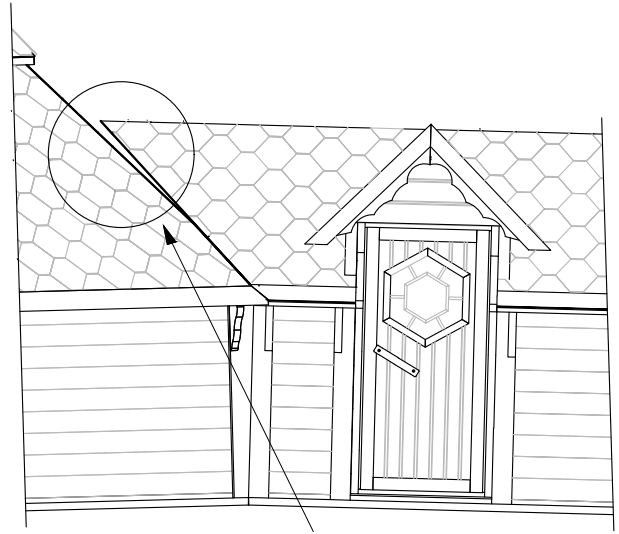
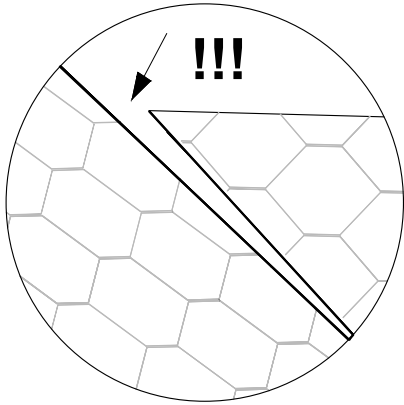
Consult a local qualified builder or an engineer to prepare a proper foundation, which fits to your location.

Due to improper foundation, cracks in the structures may occur. Due to uneven product seating, the geometric shape of the product may change, which can result in door / window twist, or/and gap may appear. And in the worst case product 's collapse.

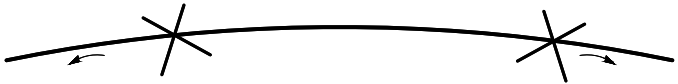
If you do not follow recommendation, product will lose its warranty.



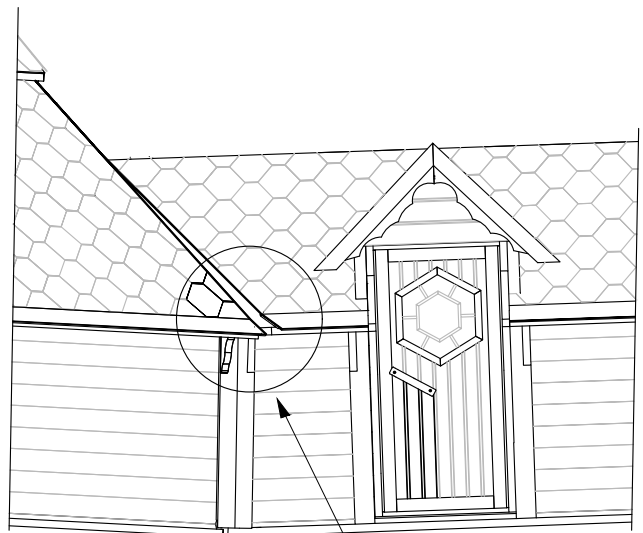
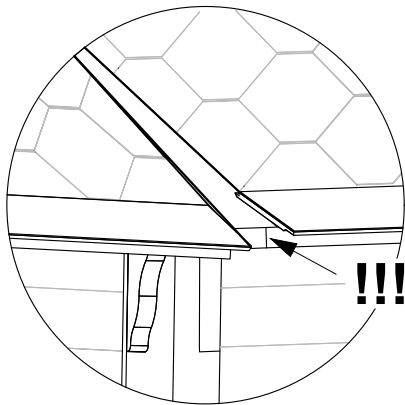
ATTENTION !!!



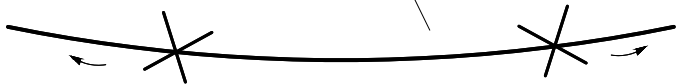
BAD
foundation →



GOOD
foundation →



BAD
foundation →

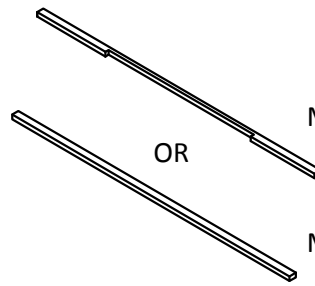
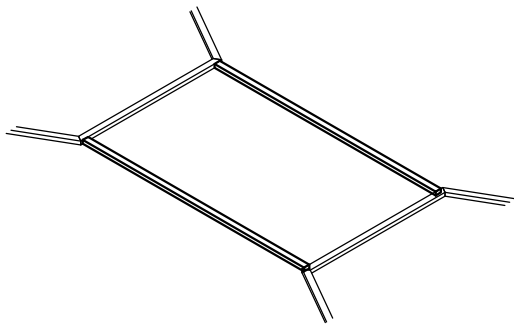


GOOD
foundation →



Corridor

Wood ring-foundation

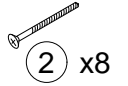


① x2

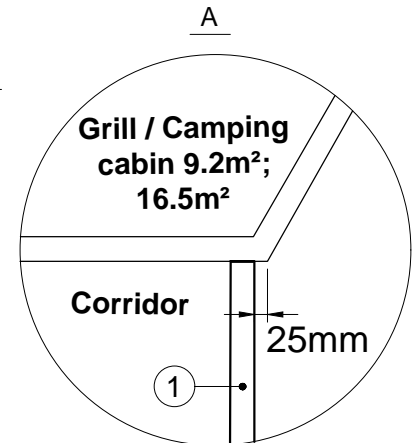
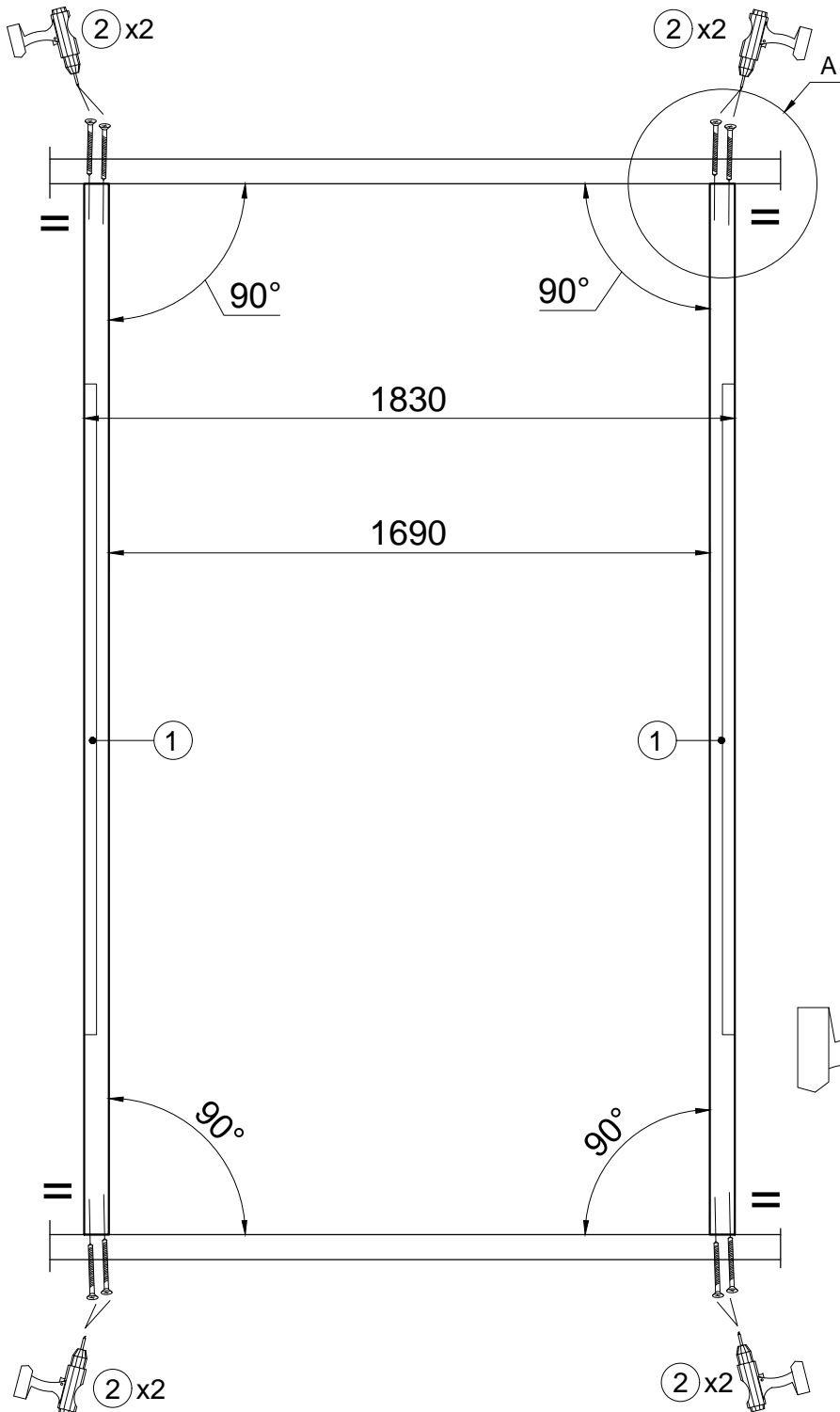
Mi-45x70x2955-F (with extension)

or

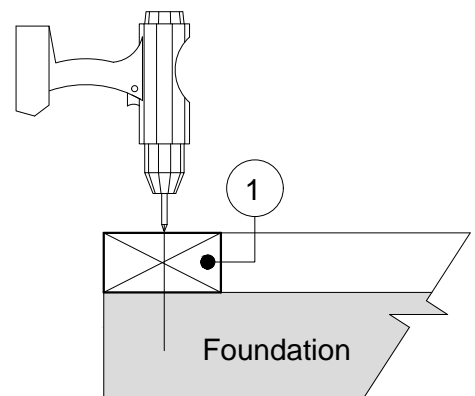
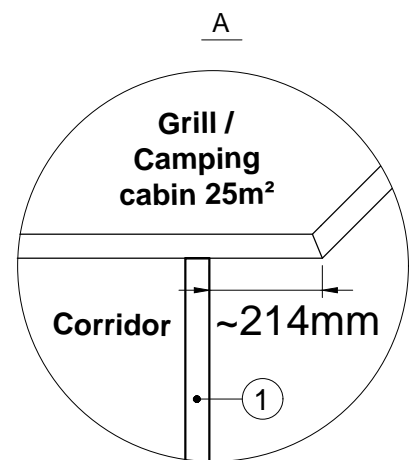
Mi-45x70x2955



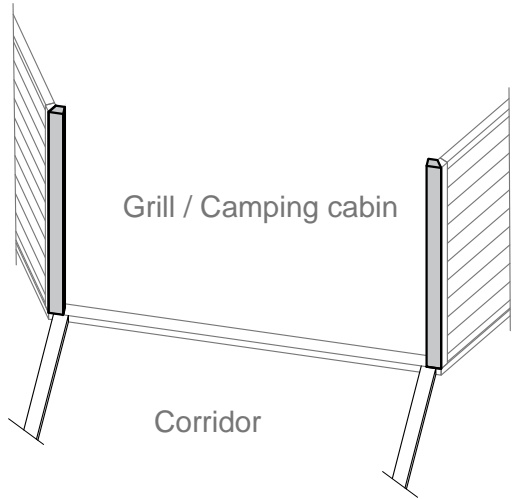
T-GC-5x100



OR



1. Corridor WALLS CONNECTION

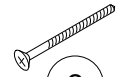


1 x4



M-45x70x1155-1x30F
or
M-45x70x1155-1x22.5F

M-45x70x1285-1x30F
or
M-45x70x1285-1x22.5F
or
M-45x70x1415-1x30F
or
M-45x70x1415-1x22.5F



2 x24

T-GC-5x100

M-45x70x1155-1x30F

M-45x70x1285-1x30F - if Grill/Camping cabin is 9.2m²

M-45x70x1415-1x30F

or

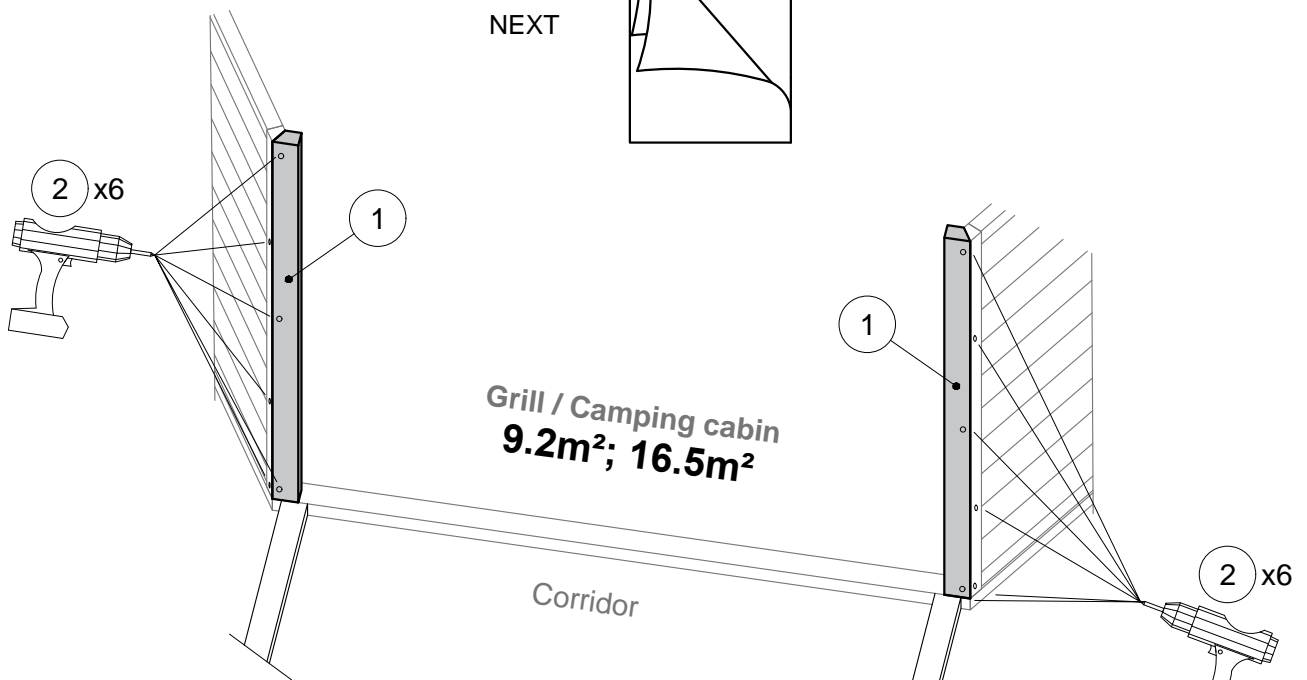
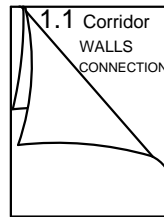
M-45x70x1155-1x22.5F

M-45x70x1285-1x22.5F - if Grill/Camping cabin is 16.5m²

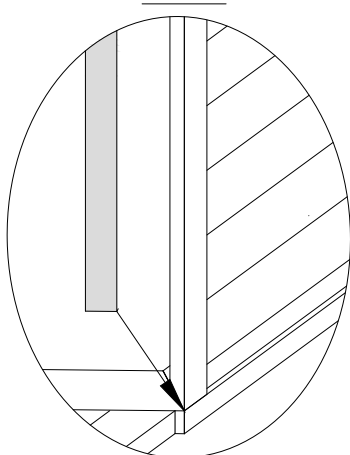
M-45x70x1415-1x22.5F

or

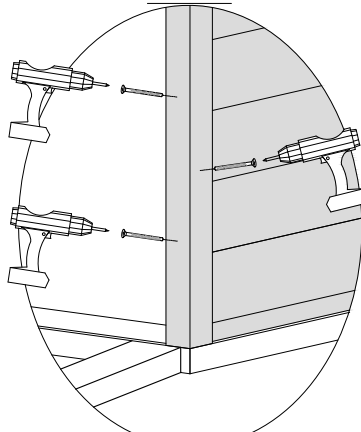
If Grill/Camping cabin is 25m²



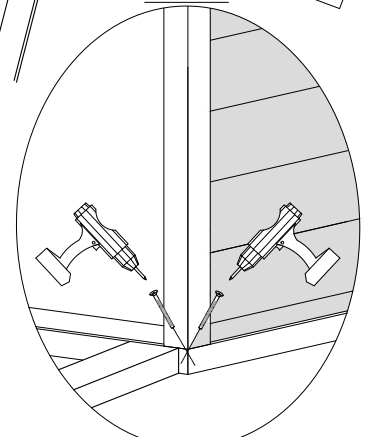
1 Step



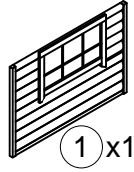
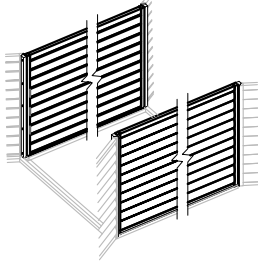
2 Step



3 Step

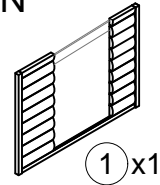


1.1 Corridor WALLS CONNECTION

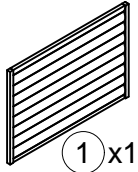


GR-EX-SSL-1155x2955
or
GR-EX-SSL-1285x2955
or
GR-EX-SSL-1415x2955

or

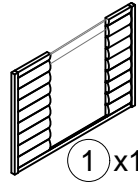


Korid-SSD-1285x2955-A1070
or
Korid-SSD-1415x2955-A1070

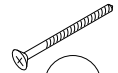


GR-EX-SS-1155x2955
or
GR-EX-SS-1285x2955
or
GR-EX-SS-1415x2955

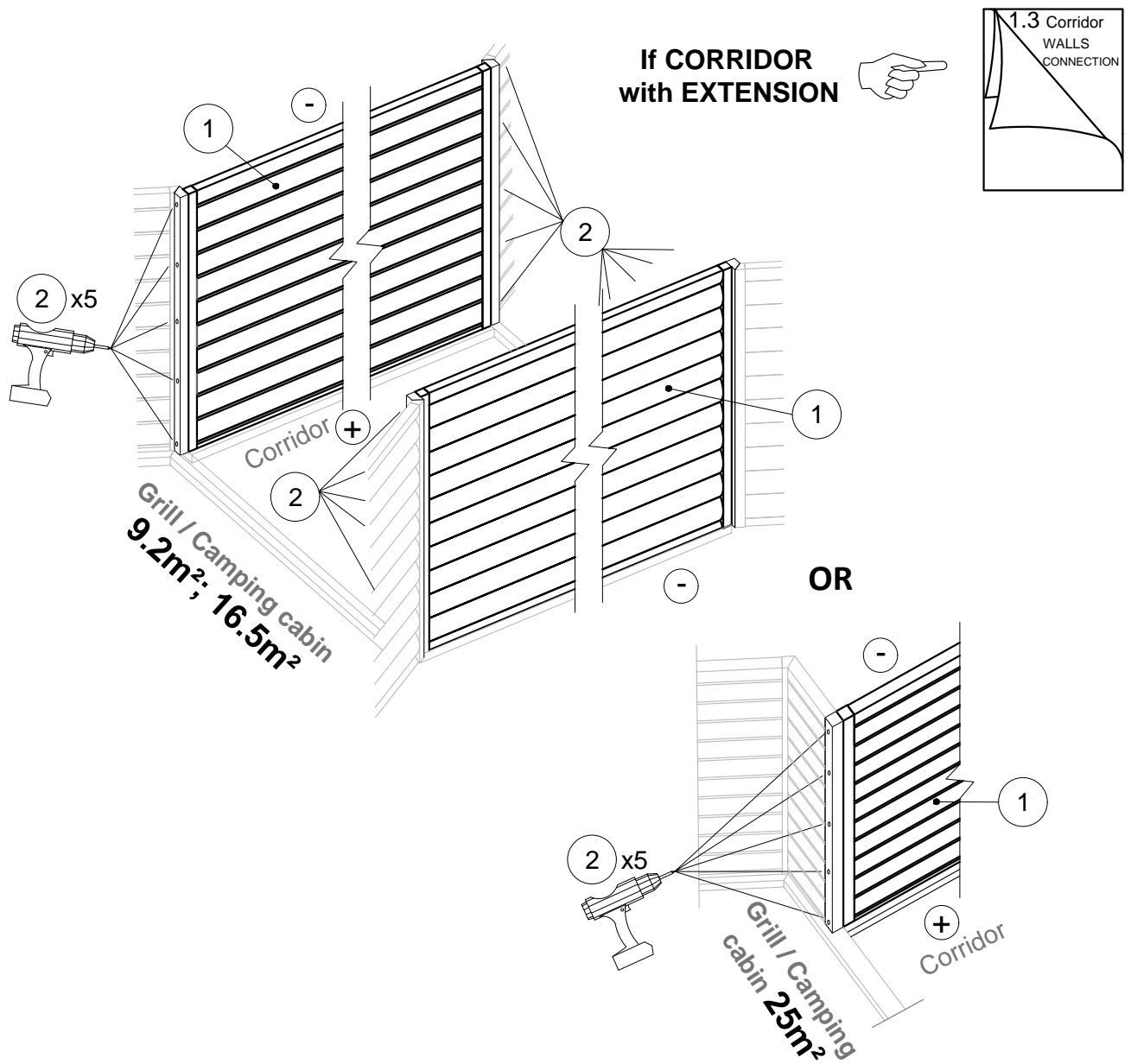
or



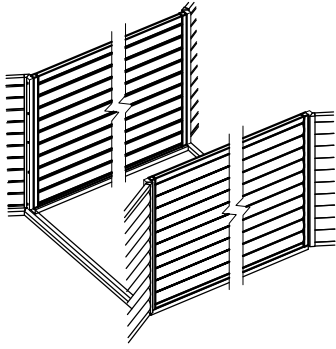
Korid-SSD-1155x2955-A850
or
Korid-SSD-1285x2955-A850
or
Korid-SSD-1415x2955-A850



T-GC-5x100



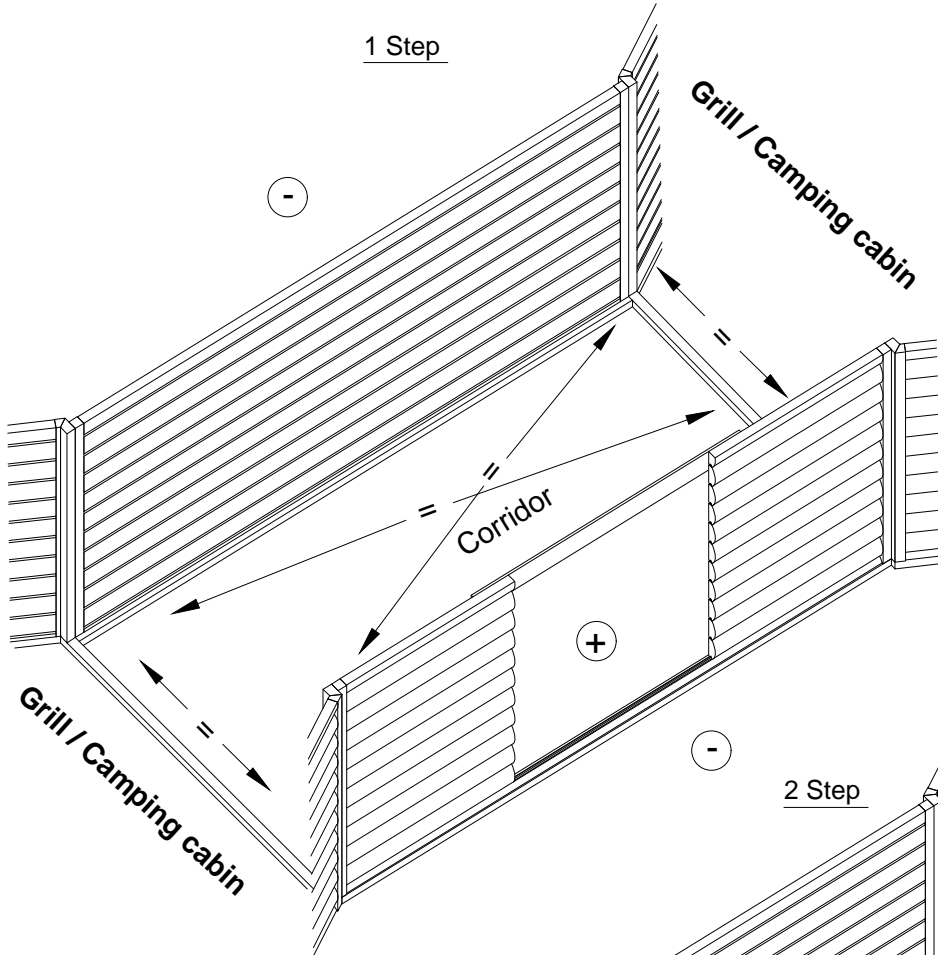
1.2 Corridor WALLS CONNECTION



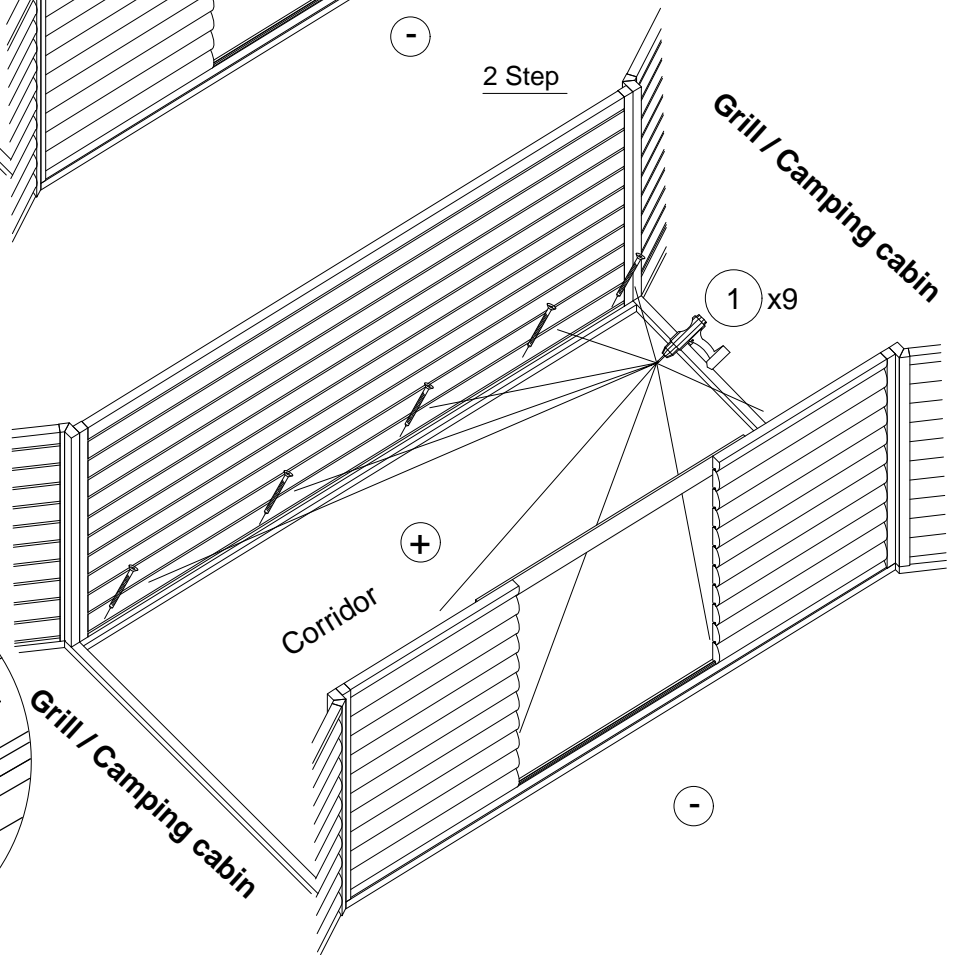
1 x10

T-GC-5x100

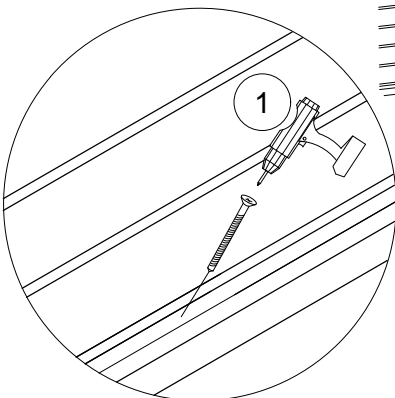
1 Step



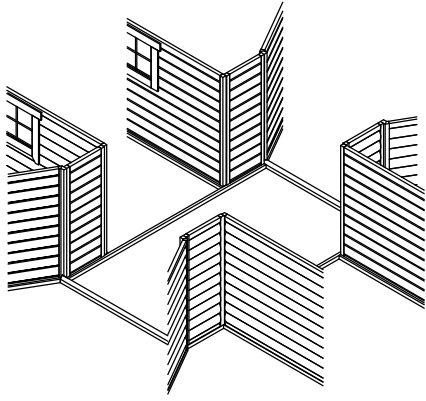
2 Step



3 Step



1.3 Corridor WALLS CONNECTION



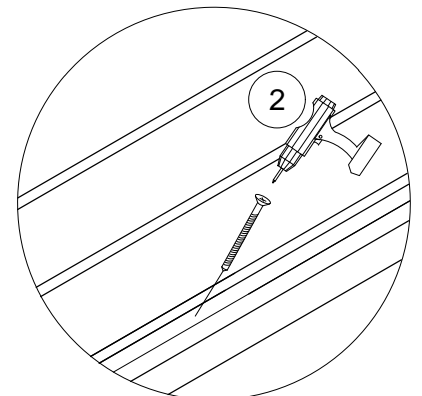
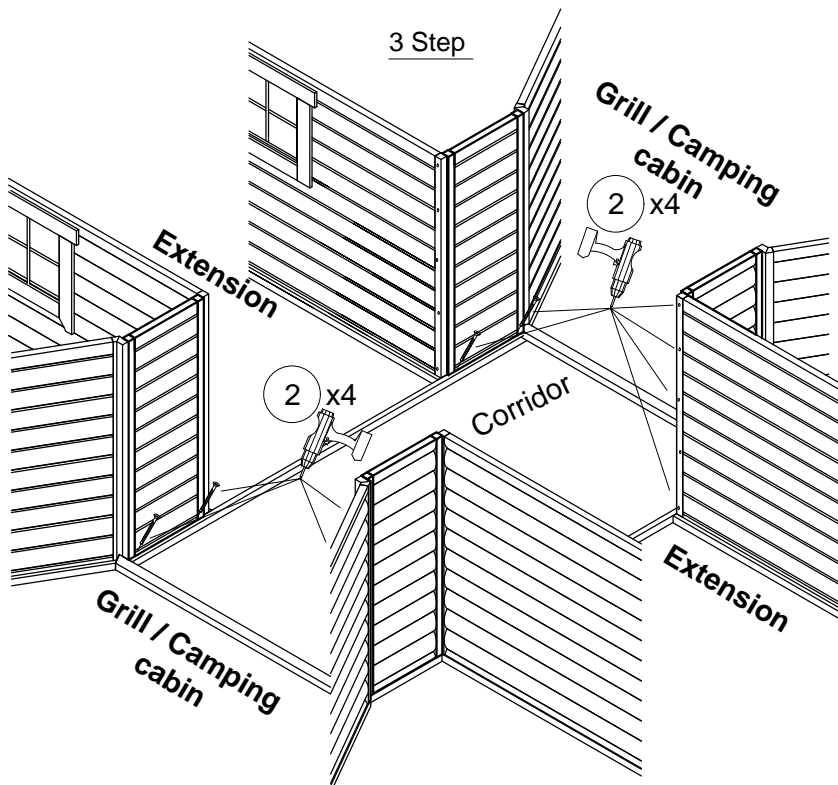
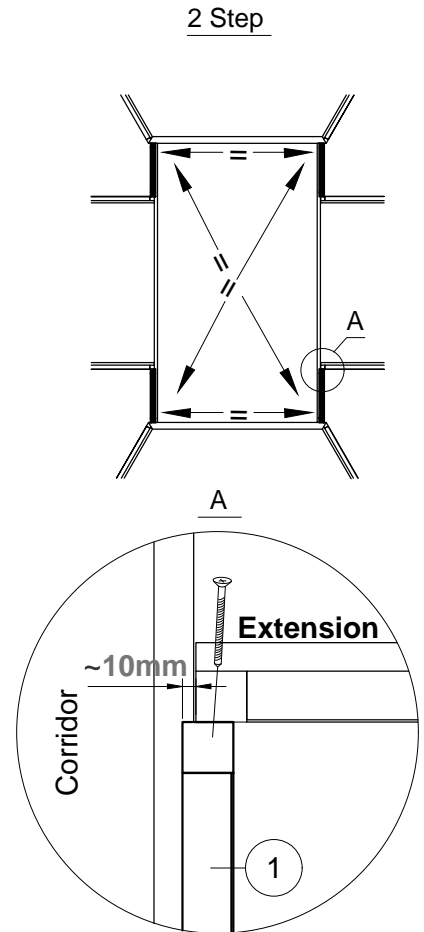
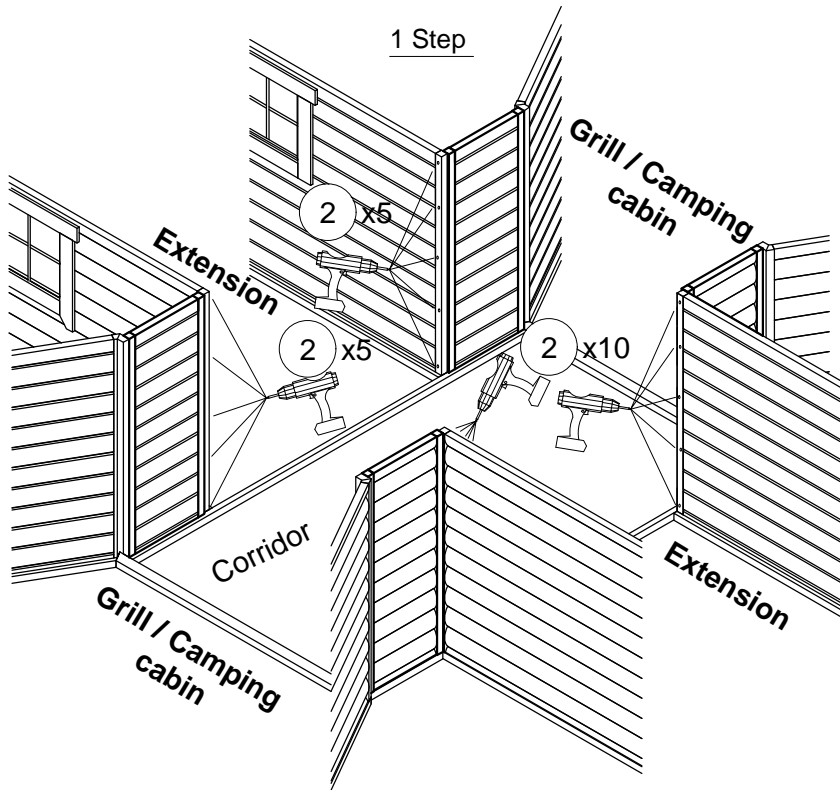
① x2 or x4

Korid-EX-S-1155x2955
or
Korid-EX-S-1285x2955
or
Korid-EX-S-1415x2955



② x28

T-GC-5x100

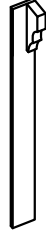


2. Corridor DECORATION (SUPPORT) OUTSIDE

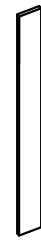
2.2
1 Step



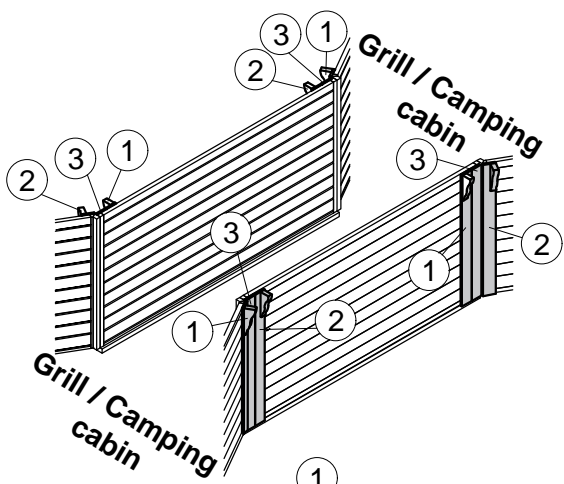
1 x4 or (x5) or (x6)
GR-Apd(k)-1155
or
GR-Apd(k)-1285
or
GR-Apd(k)-1415



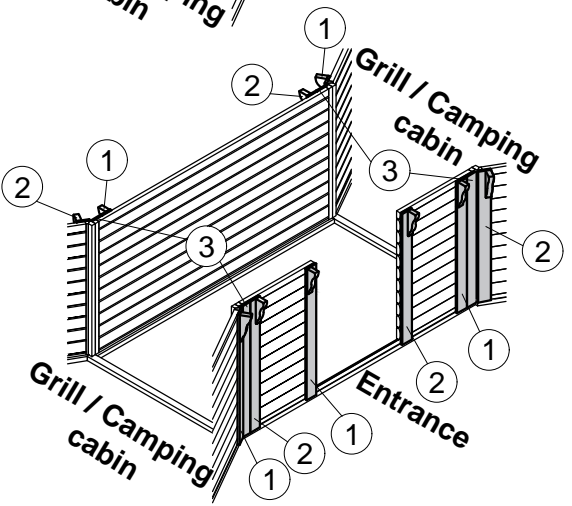
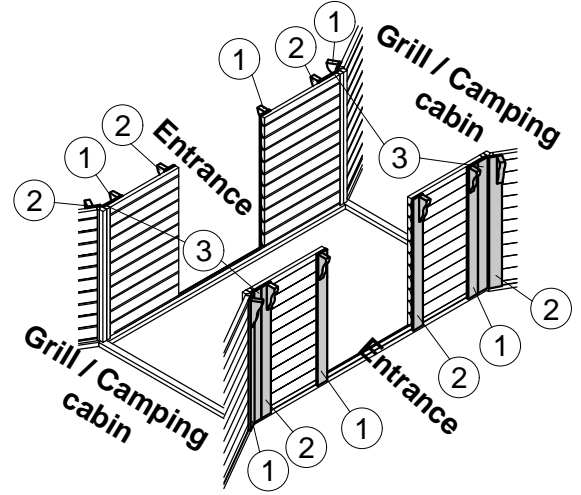
2 x4 or (x5) or (x6)
GR-Apd(d)-1155
or
GR-Apd(d)-1285
or
GR-Apd(d)-1415



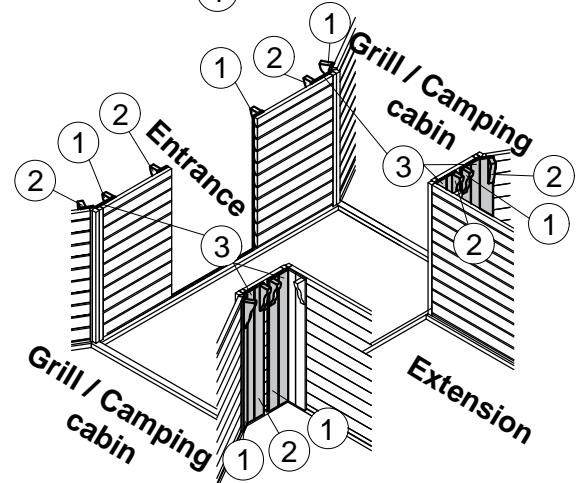
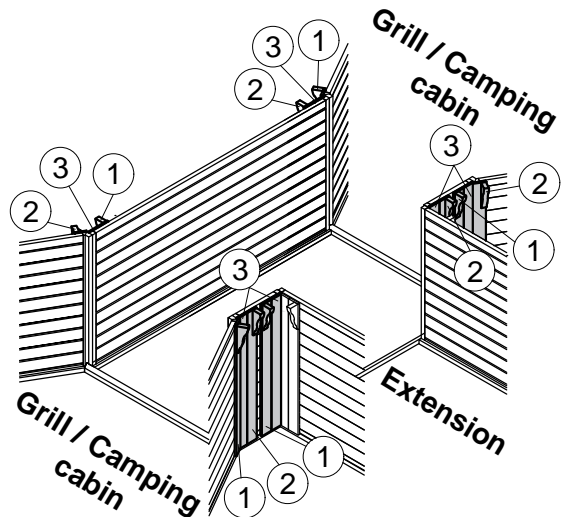
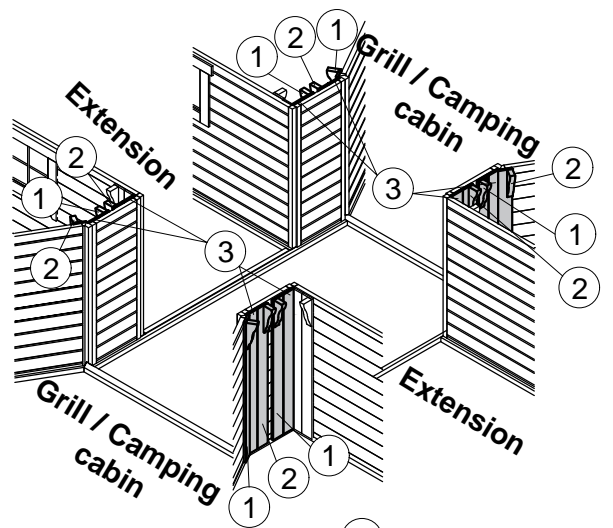
3 x4 or (x6) or (x8)
M-18x95-1155
or
M-18x95-1285
or
M-18x95-1415



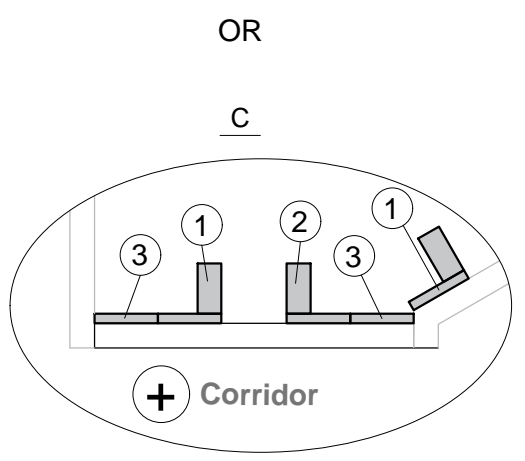
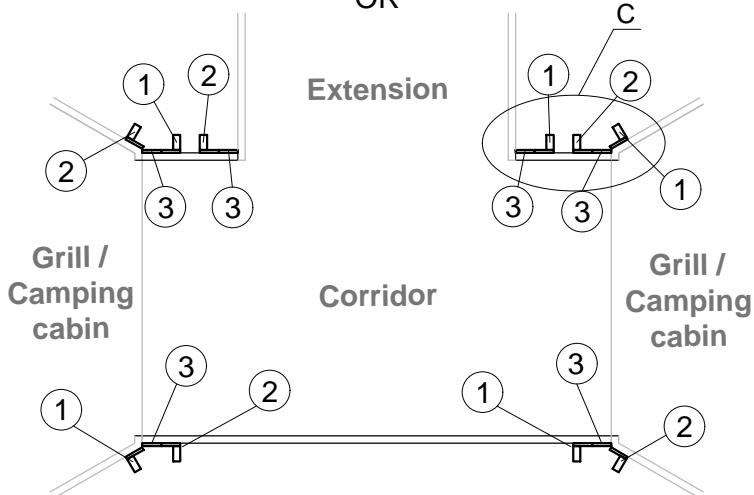
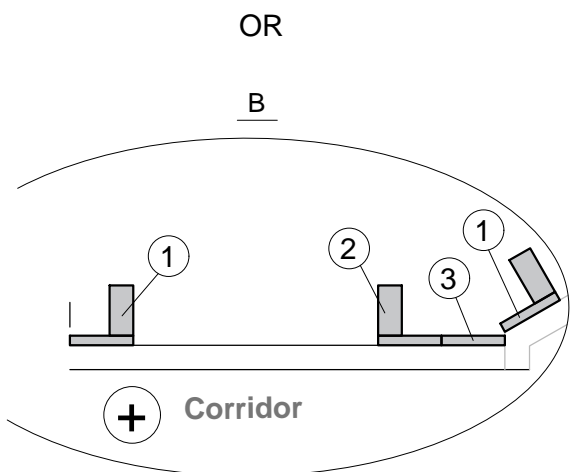
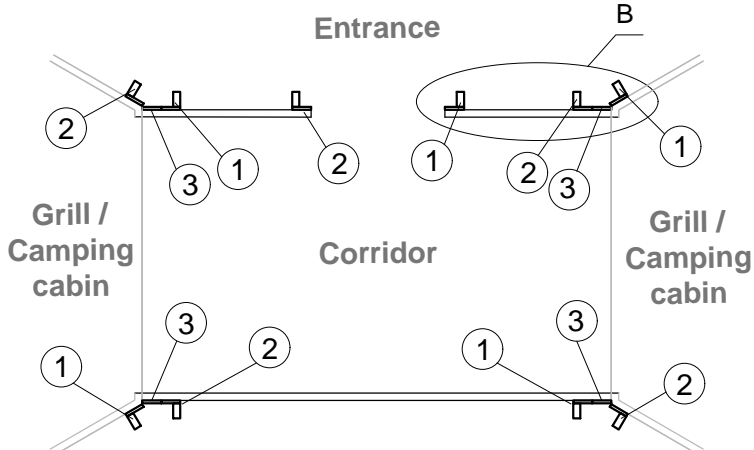
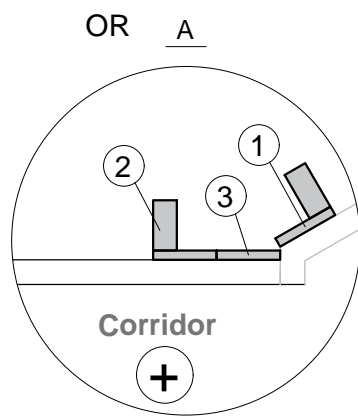
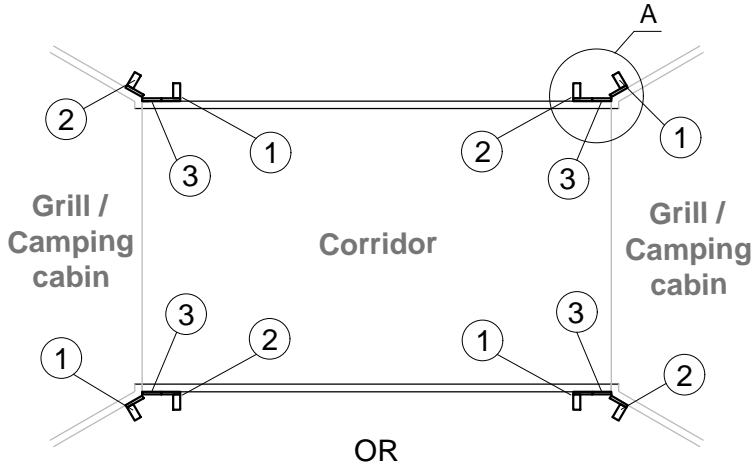
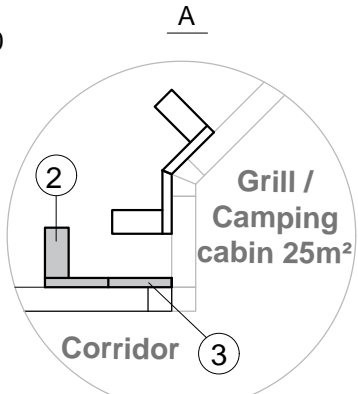
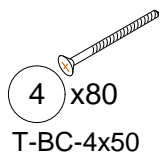
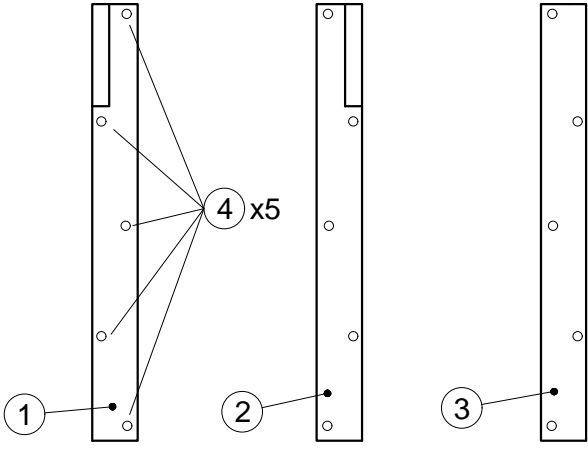
OR



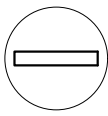
OR



2.1 Corridor DECORATION (SUPPORT) OUTSIDE



2.2 Corridor DECORATION (SUPPORT) OUTSIDE



① x 12 or (16) or (20)

M-18x95x1155
or
M-18x95x1285
or
M-18x95x1415



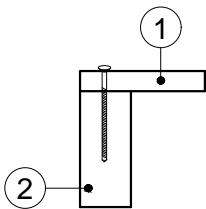
② x 8 or (10) or (12)
M-45x95x270-CNC



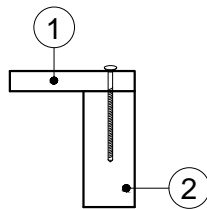
③ x 8 or (10) or (12)
T-BC-4x70



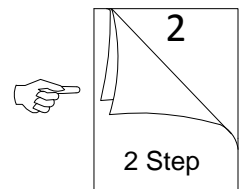
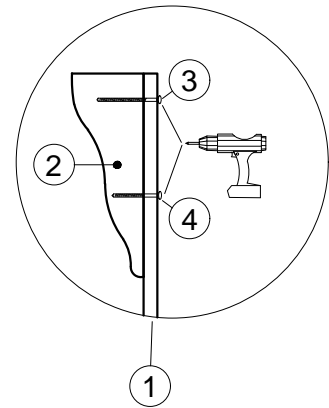
④ x 8 or (10) or (12)
T-BC-4x50



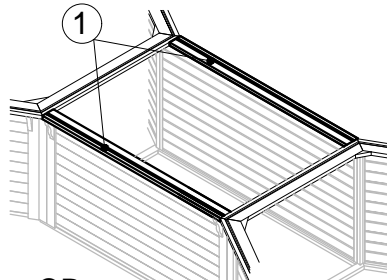
GR-Apd(k)-1155
or
GR-Apd(k)-1285
or
GR-Apd(k)-1415



GR-Apd(d)-1155
or
GR-Apd(d)-1285
or
GR-Apd(d)-1415

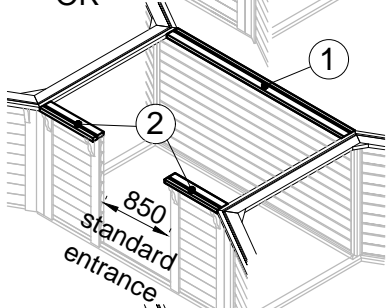


3. Corridor ROOF SUPPORT RING



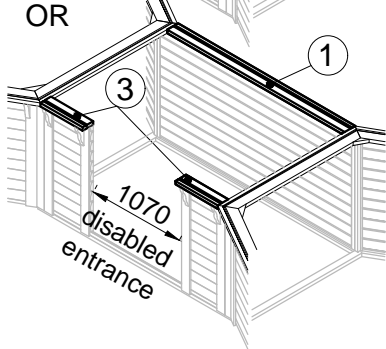
1 x2 or (x1)
M-45x160x2655-F

OR

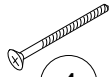


2 x2 or (x4)
M-45x160x902-F

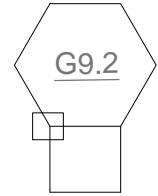
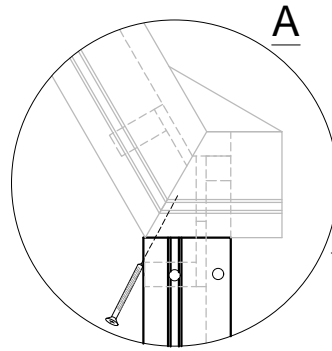
OR



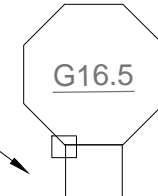
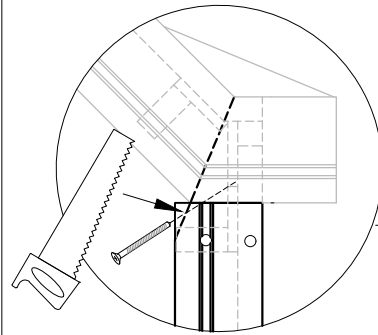
3 x2 or (x4)
M-45x160x794-F



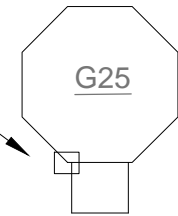
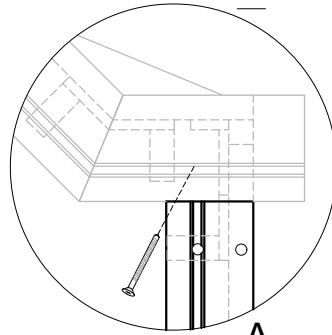
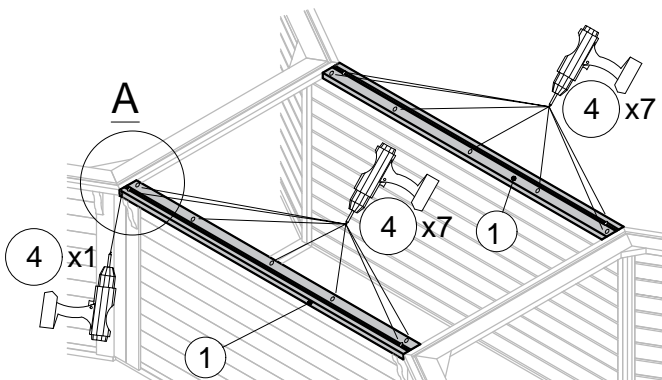
4 x22
T-GC-5x100



A

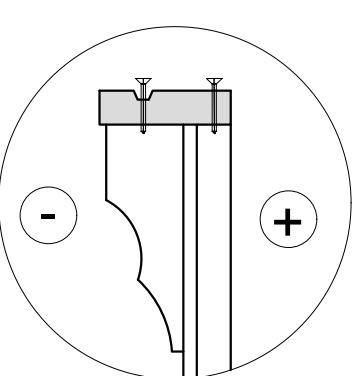
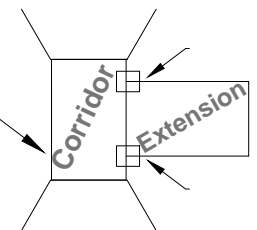
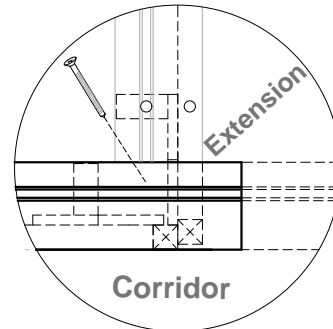
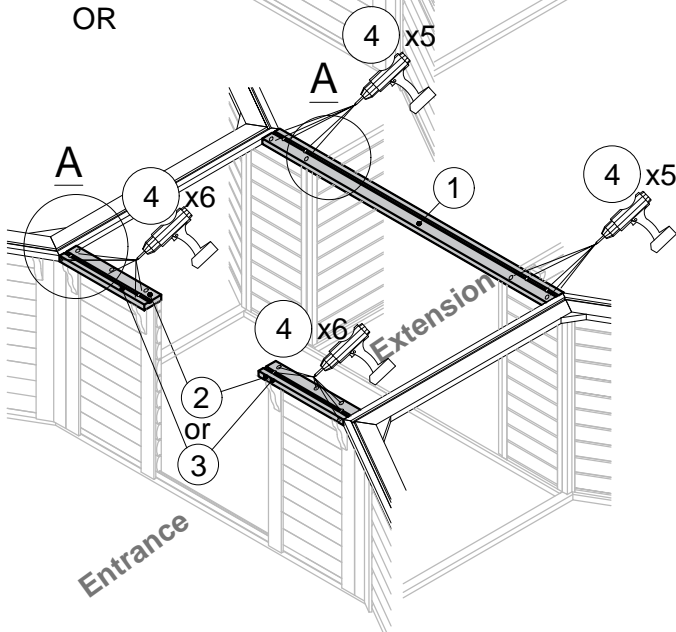


A

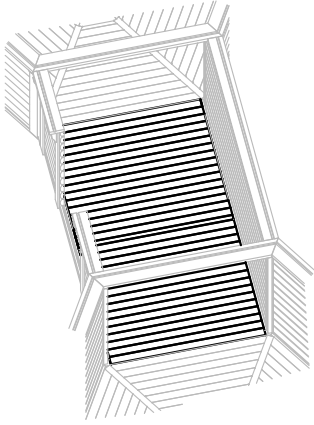


A

OR

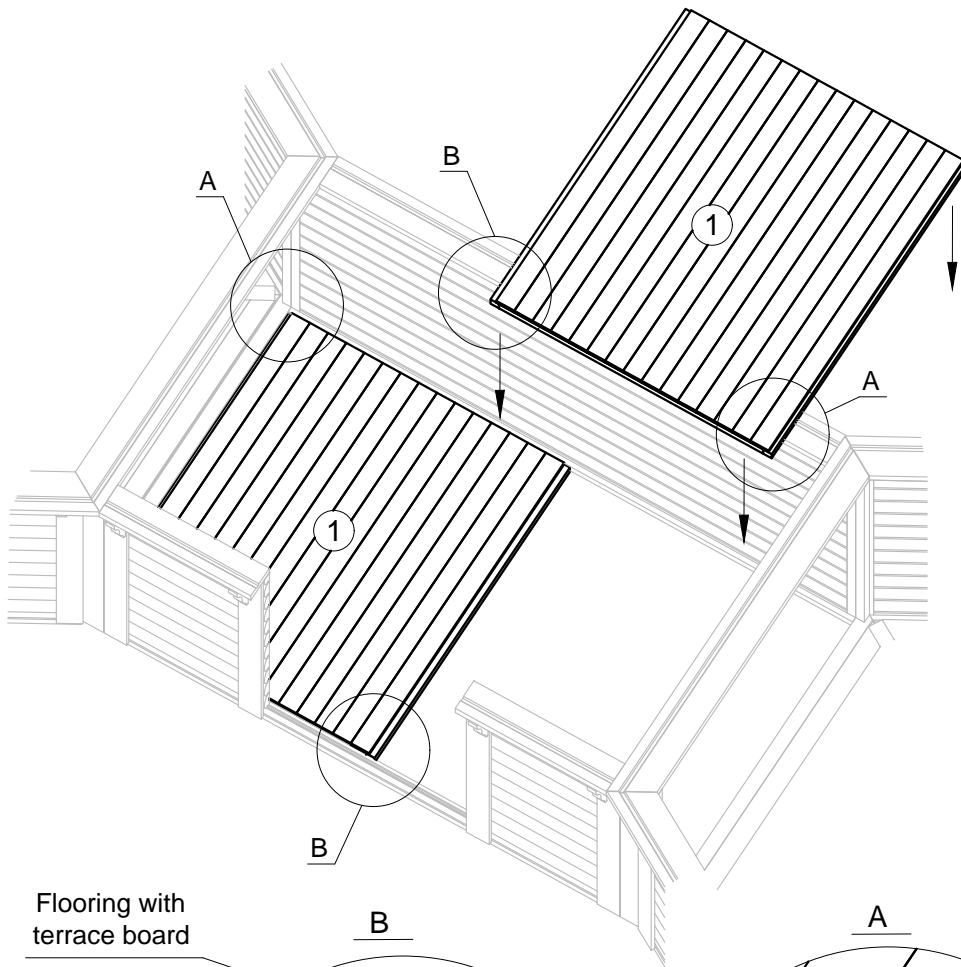
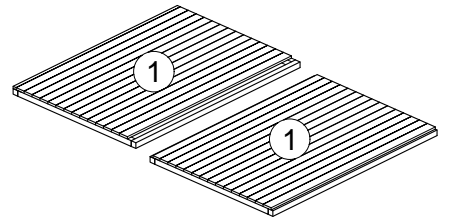


4. Corridor FLOORS



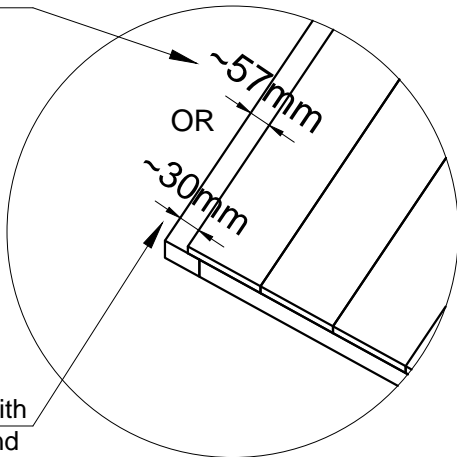
1 x2

Korid-Grind-1472x1680
or
Korid-Spunt-1472x1680



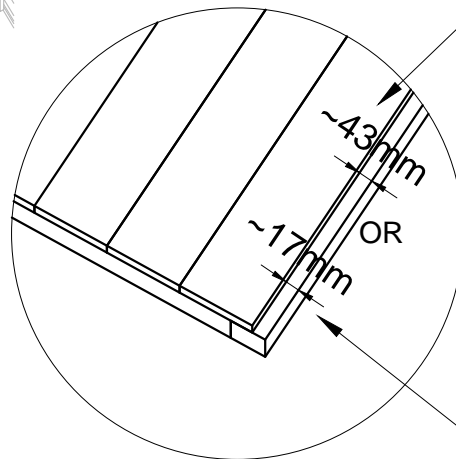
Flooring with terrace board

B



Flooring with tongue and groove board

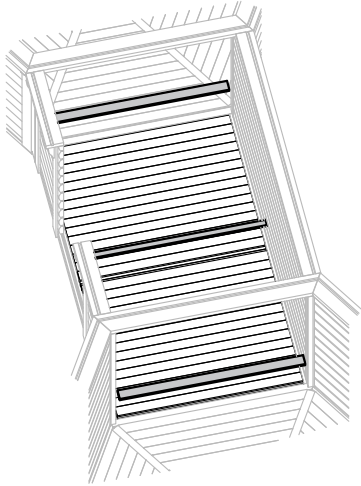
A



Flooring with terrace board

Flooring with tongue and groove board

5. Corridor FLOORS FINISHING BOARDS



① x2

M-18x95x1680
or
Spunt-28x120x1680-F

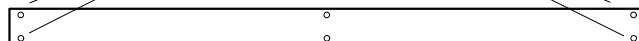
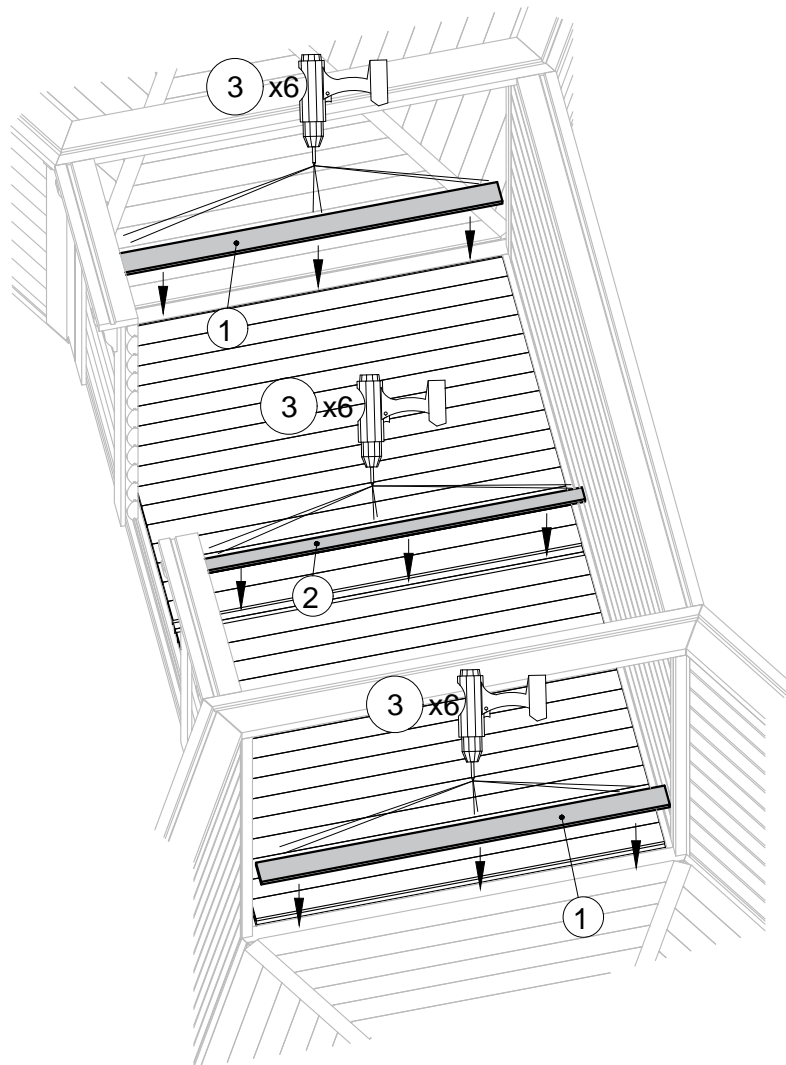


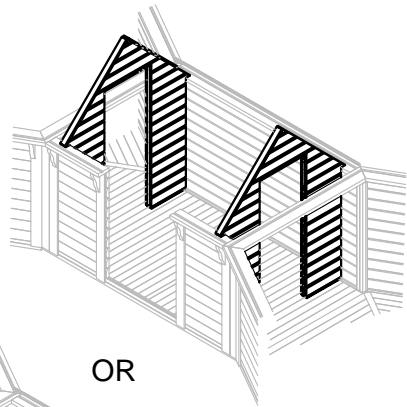
② x1

M-18x58x1680-F
or
Spunt-28x112x1680-F

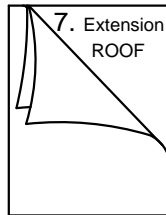
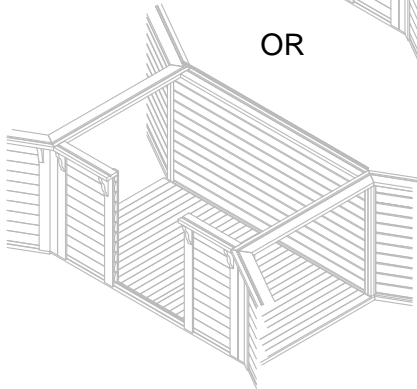


③ x18
T-GC-3.5x45

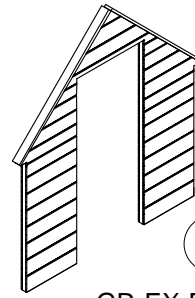




OR



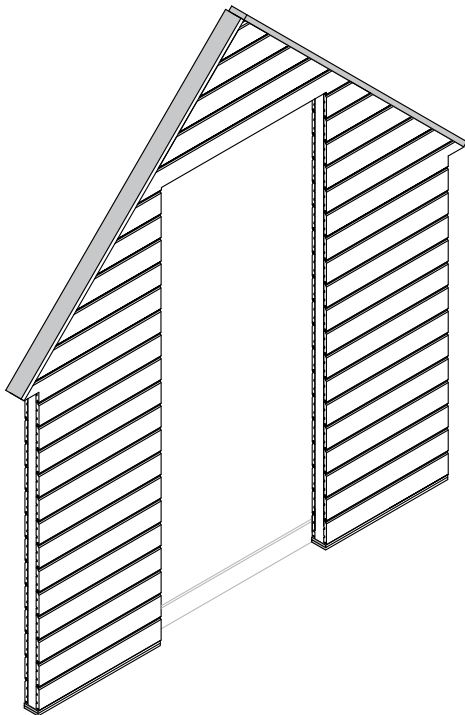
6. Corridor INSIDE WALL



1 x1 or (x2)

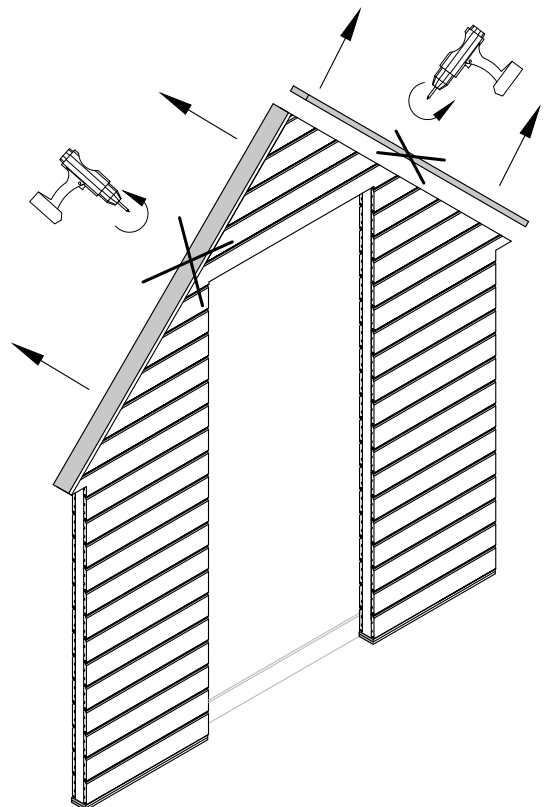
GR-EX-Pertv-1857x2093-A700
or
GR-EX-Pertv-1857x2223-A700
or
GR-EX-Pertv-1857x2223-A1010
or
GR-EX-Pertv-1857x2353-A700
or
GR-EX-Pertv-1857x2353-A1010

COLD
ROOF

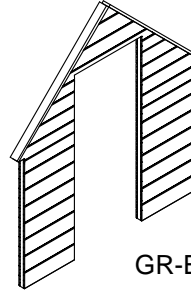
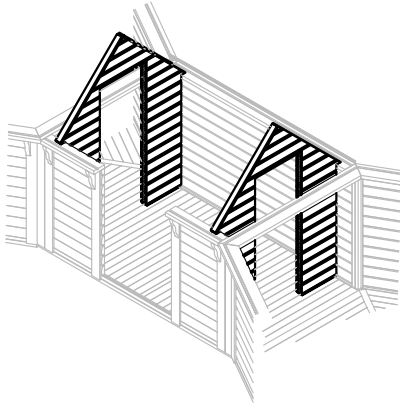


or

INSULATED
ROOF

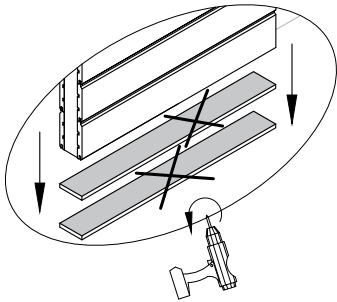



6.1 Corridor INSIDE WALL



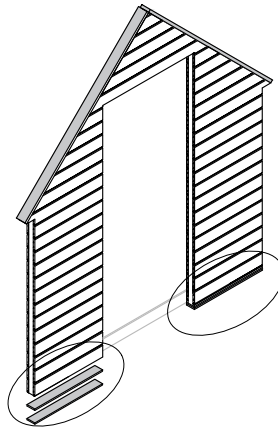
1 x1 or (x2)

GR-EX-Pertv-1857x2093-A700
or
GR-EX-Pertv-1857x2223-A700
or
GR-EX-Pertv-1857x2223-A1010
or
GR-EX-Pertv-1857x2353-A700
or
GR-EX-Pertv-1857x2353-A1010

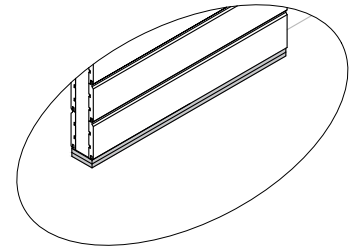


INSULATED FLOOR WITH
TONGUE AND GROOVE
BOARD 

or

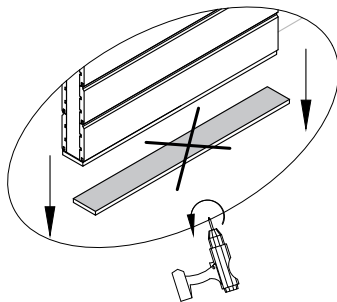


or



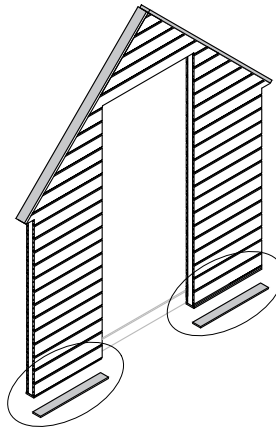
COLD FLOOR WITH
BOARD 

or

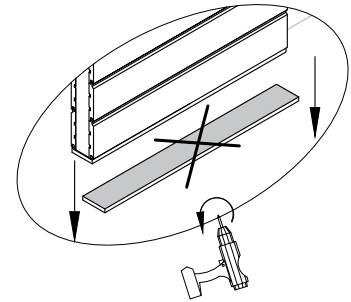


COLD FLOOR WITH TONGUE
AND GROOVE BOARD 

or

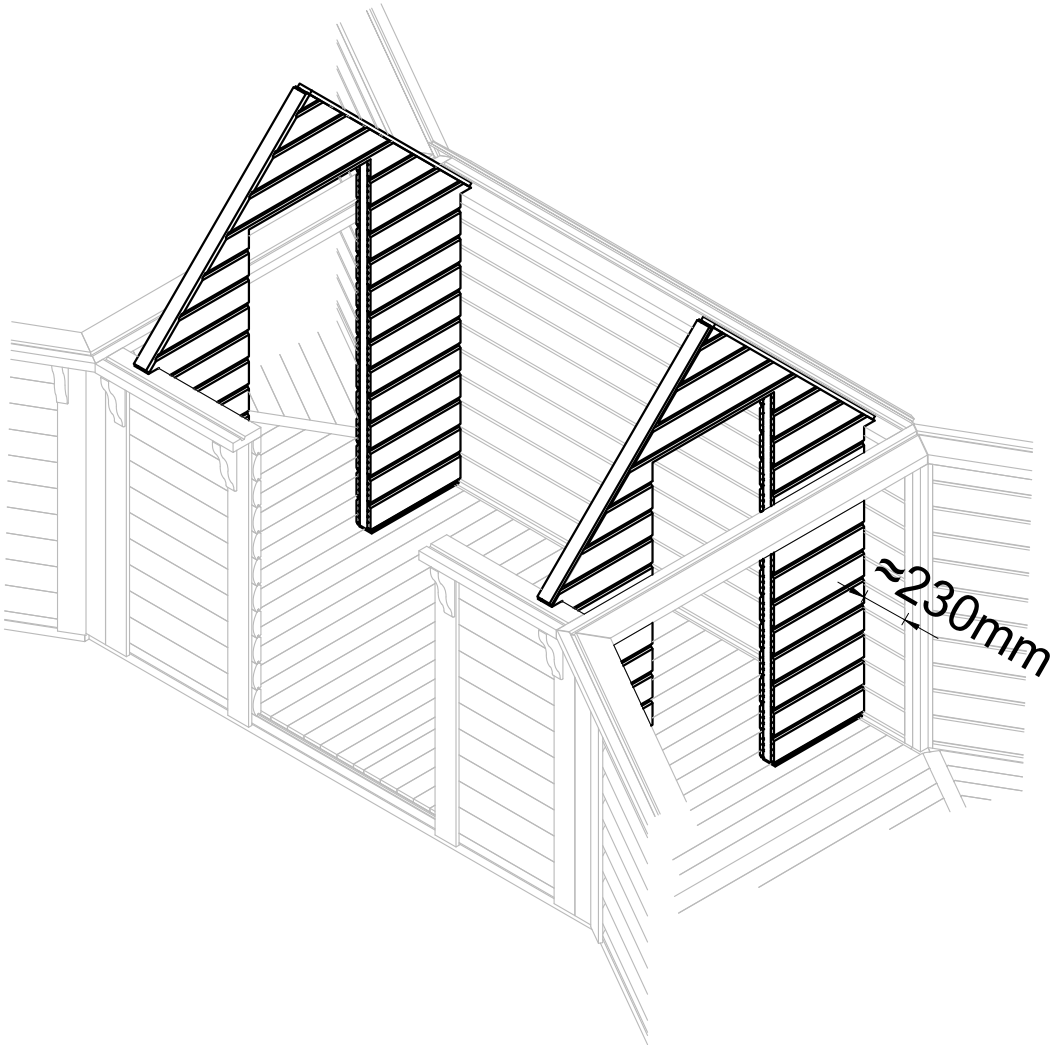
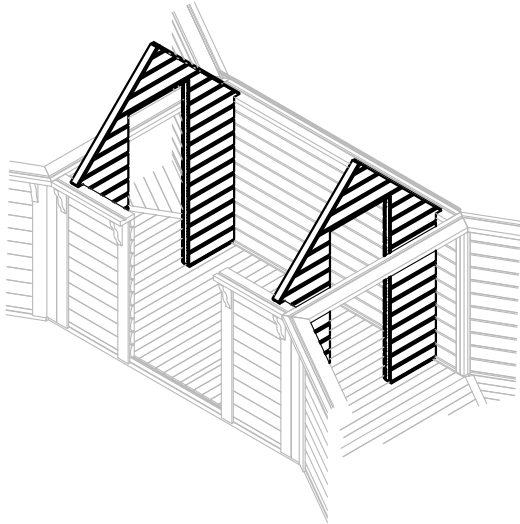


or

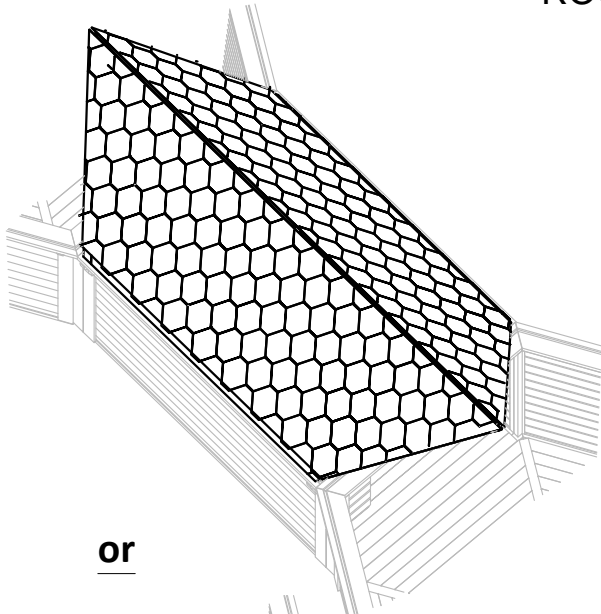


INSULATED FLOOR
WITH BOARD 

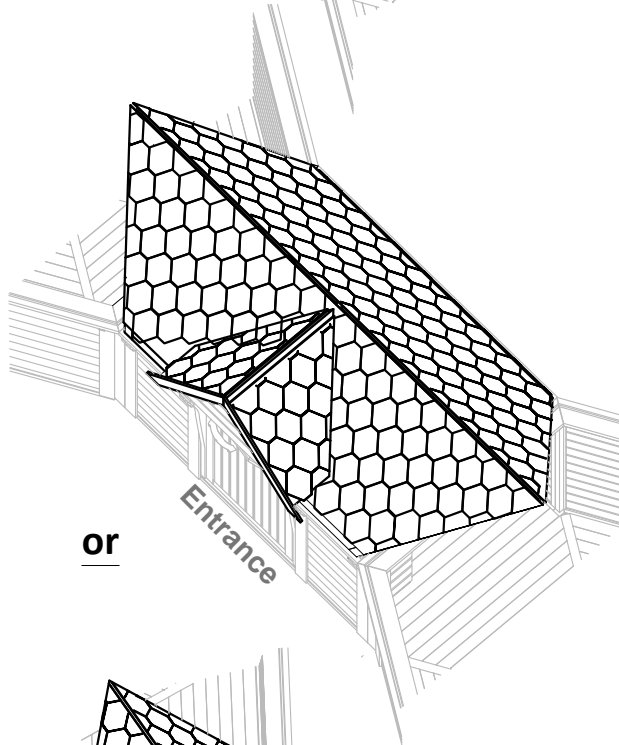
6.2 Corridor
INSIDE WALL



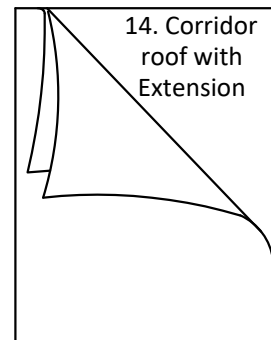
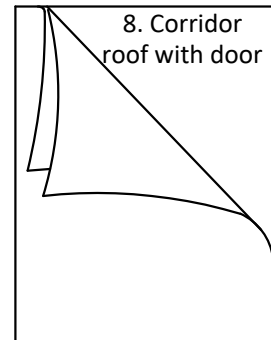
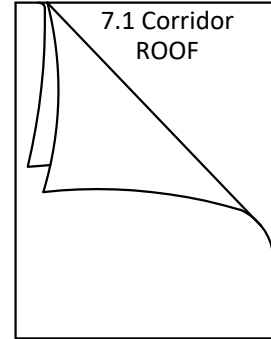
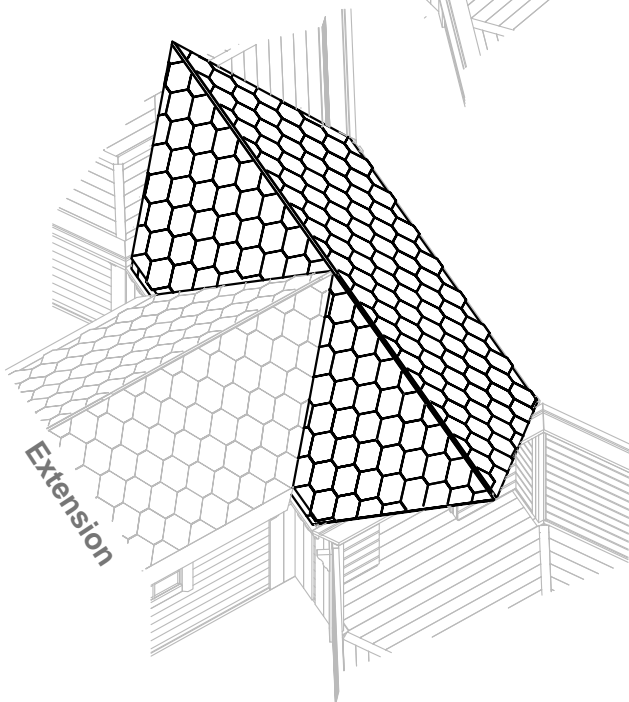
7. Corridor ROOF



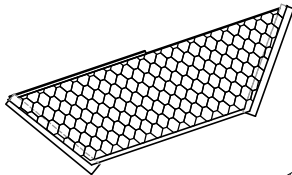
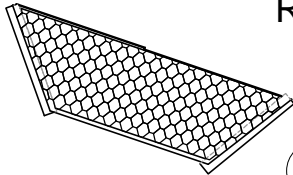
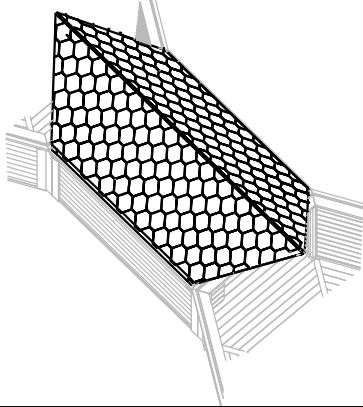
or



or



7.1 Corridor ROOF



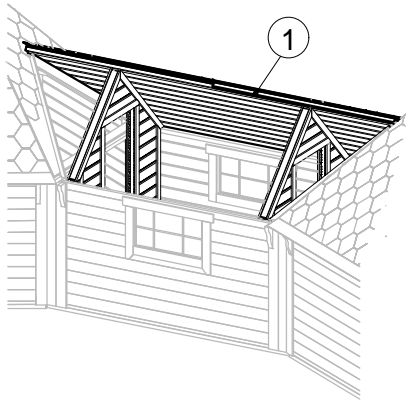
1 x2

Korid-Stog-1376x4524
or
Korid-I-Stog-1376x4524

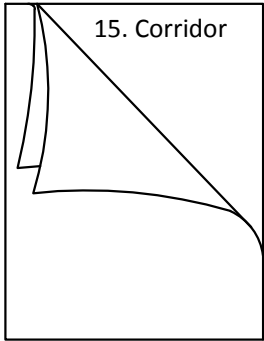
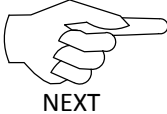
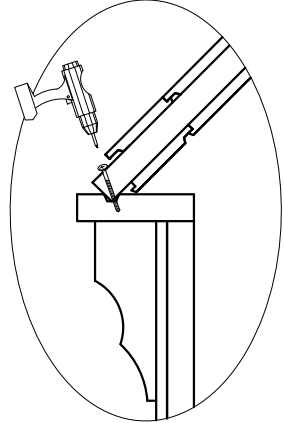
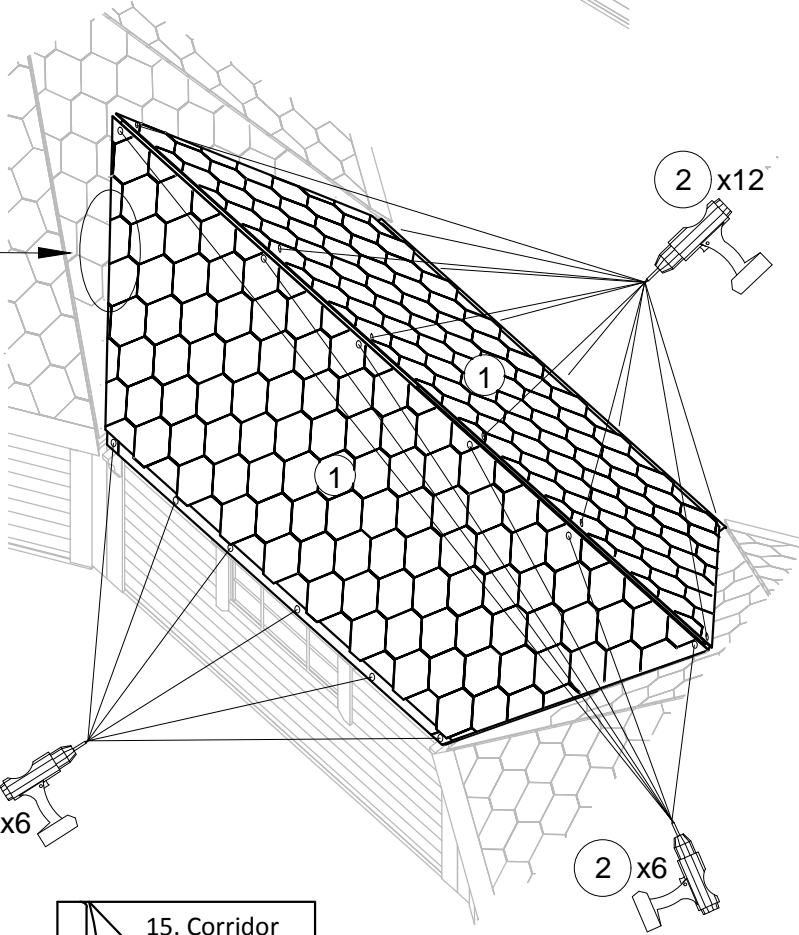
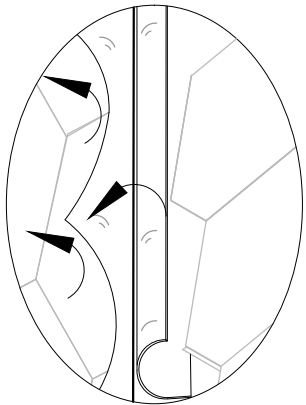
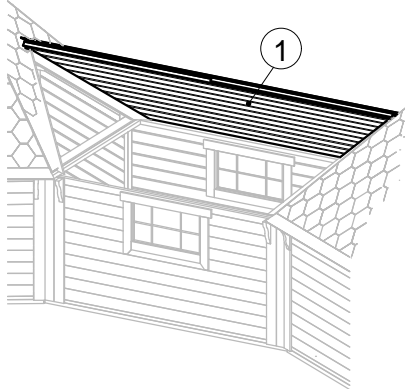


2 x24

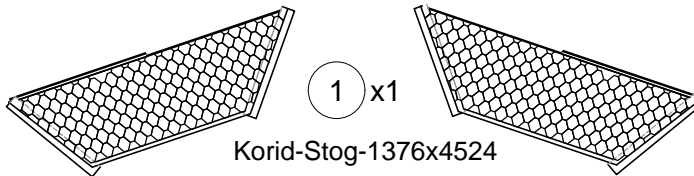
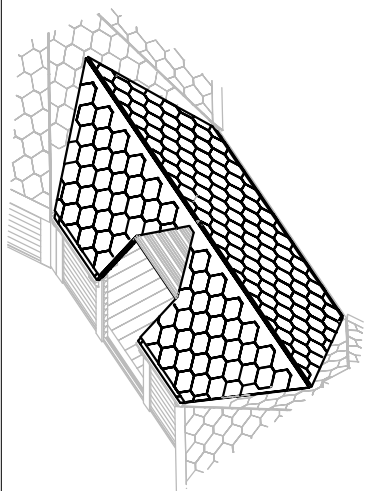
T-GC-5x80



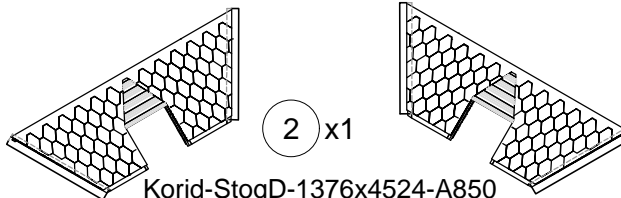
OR



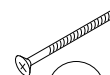
8. Corridor ROOF WITH DOOR



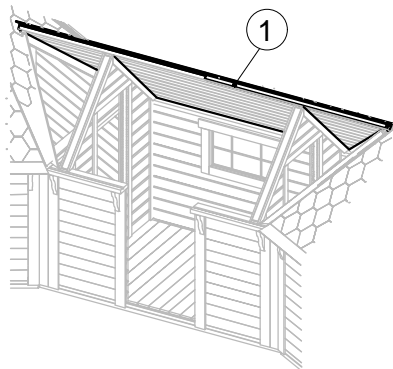
Korid-Stog-1376x4524
or
Korid-I-Stog-1376x4524



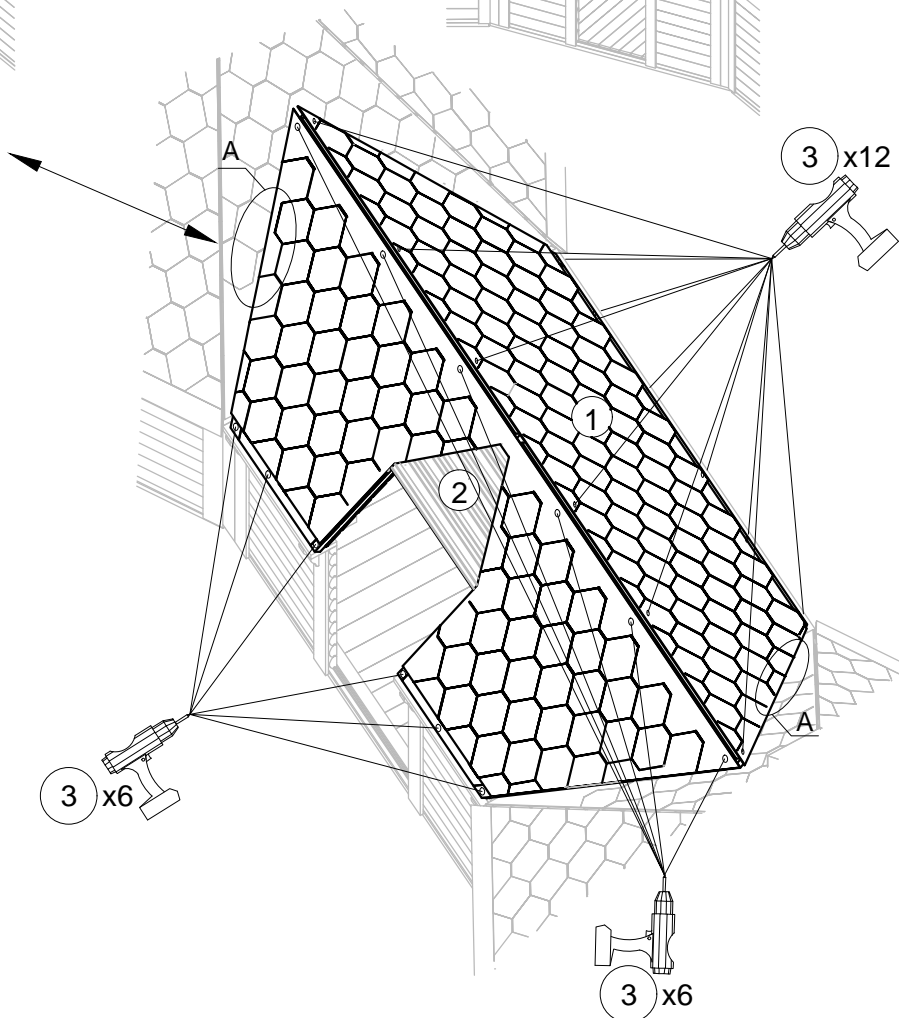
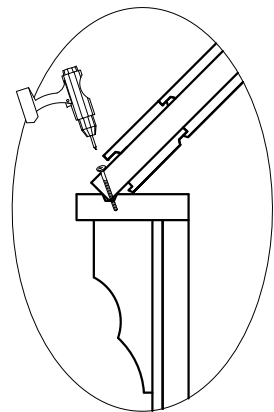
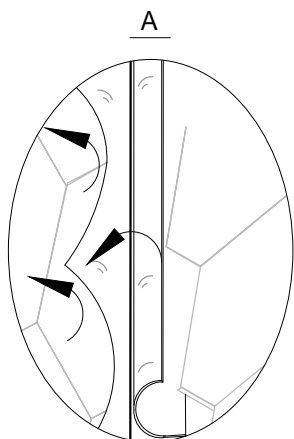
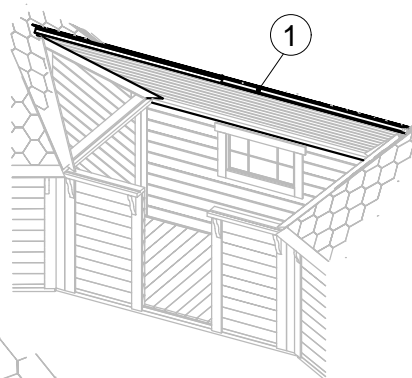
Korid-StogD-1376x4524-A850
or
Korid-I-StogD-1376x4524-A850
or
Korid-StogD-1376x4524-A1070
or
Korid-StogD-1376x4524-A1070



3 x24
T-GC-5x80

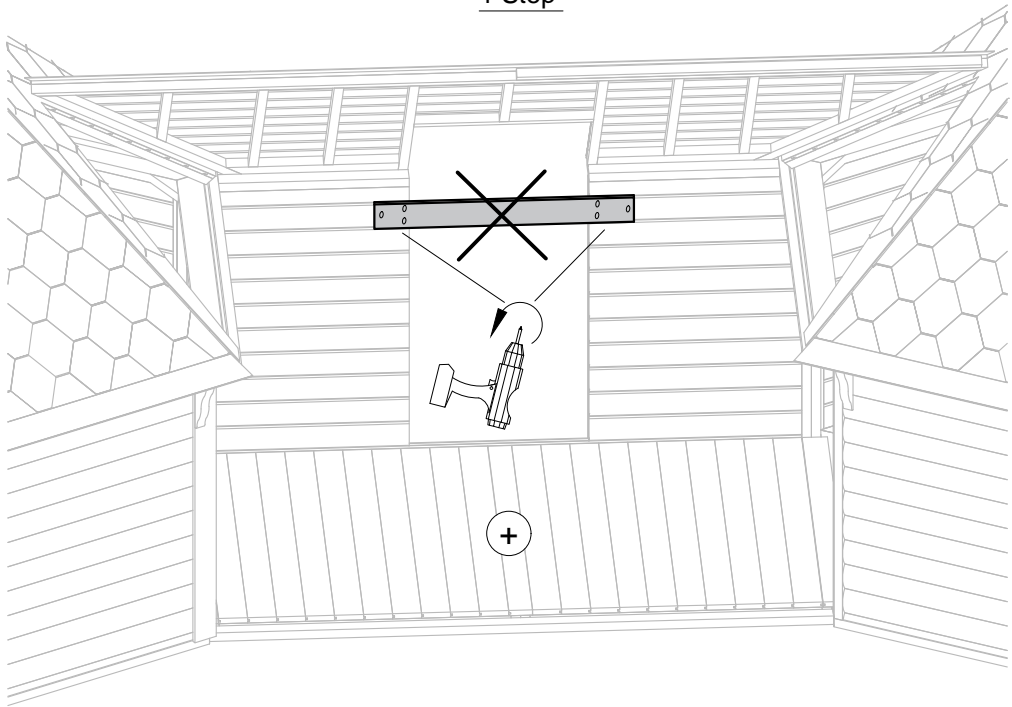


OR

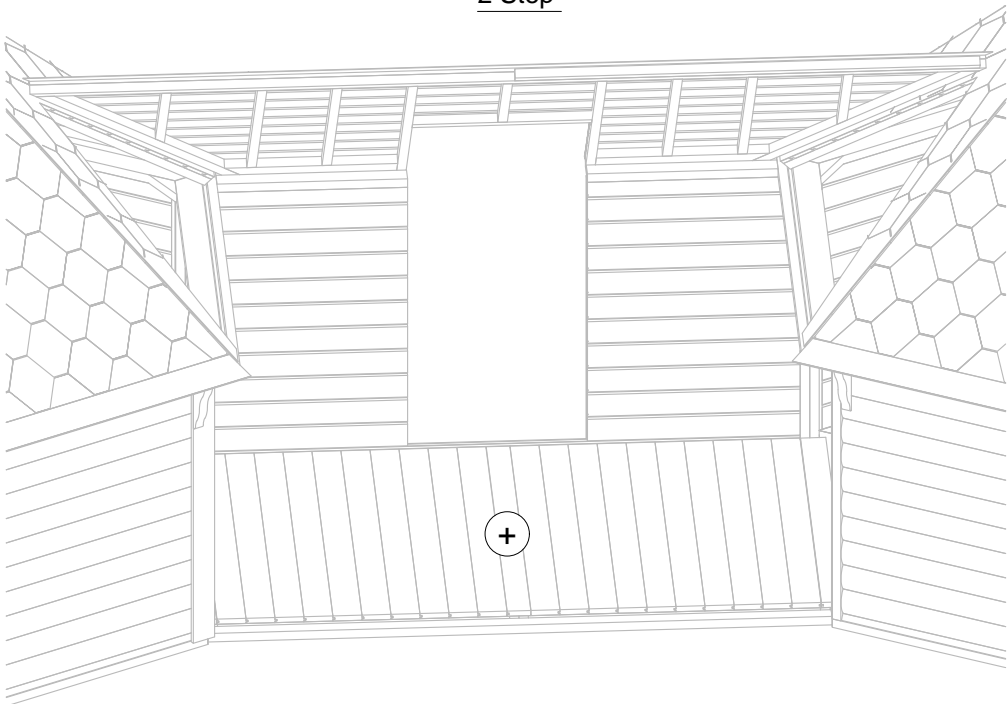


9. Corridor ENTRANCE ASSEMBLY

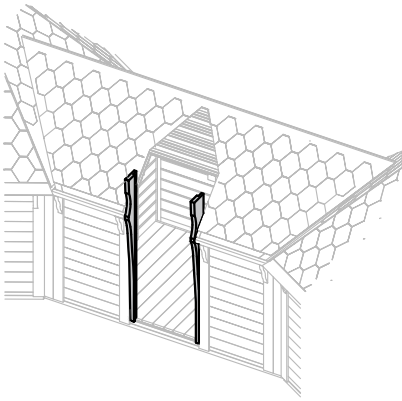
1 Step



2 Step



10. Corridor ENTRANCE SUPPORT



① x1

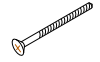


M-45x195x1630-A850-CNC(k)
or
M-45x195x1760-A850-CNC(k)
or
M-45x195x1890-A-850-CNC(k)
or
M-45x195x1630-A1070-CNC(k)
or
M-45x195x1760A-1070-CNC(k)

② x1



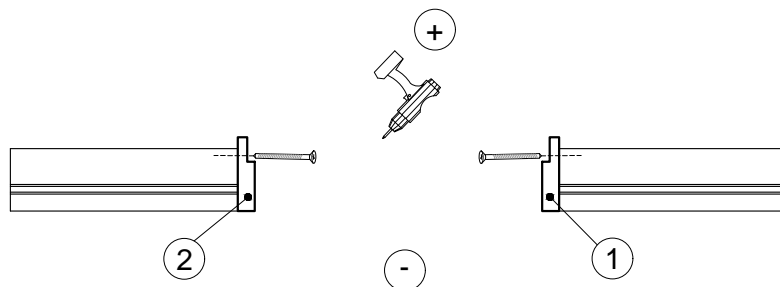
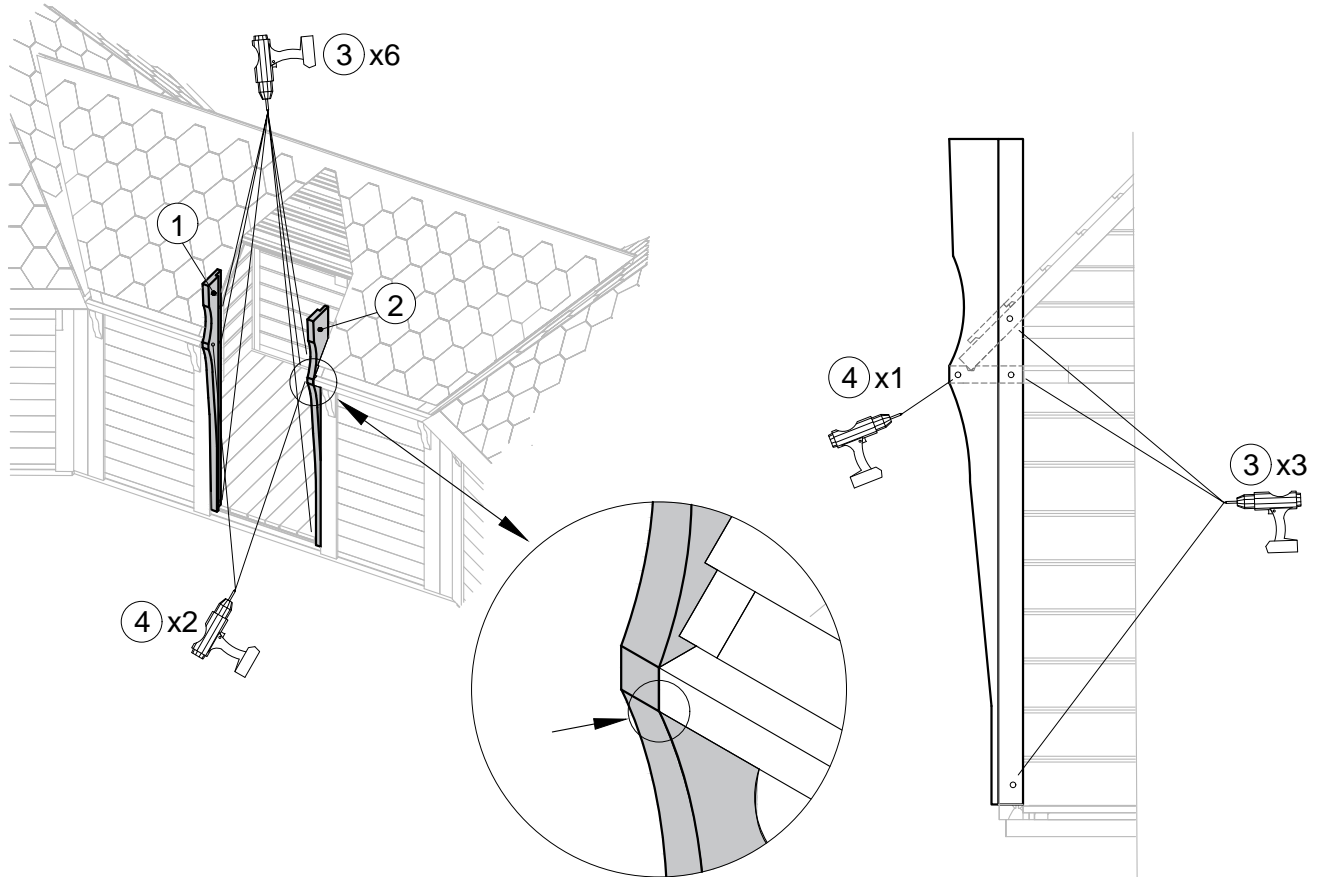
M-45x195x1630-A850-CNC(d)
or
M-45x195x1760-A850-CNC(d)
or
M-45x195x1890-A-850-CNC(d)
or
M-45x195x1630-A1070-CNC(d)
or
M-45x195x1760A-1070-CNC(d)

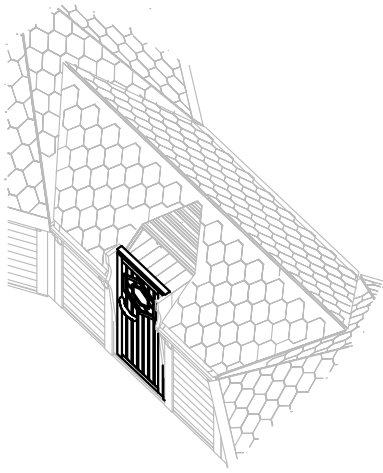


③ x6
T-BC-4x50



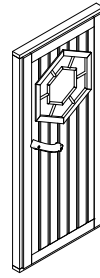
④ x2
T-GC-5x80

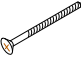




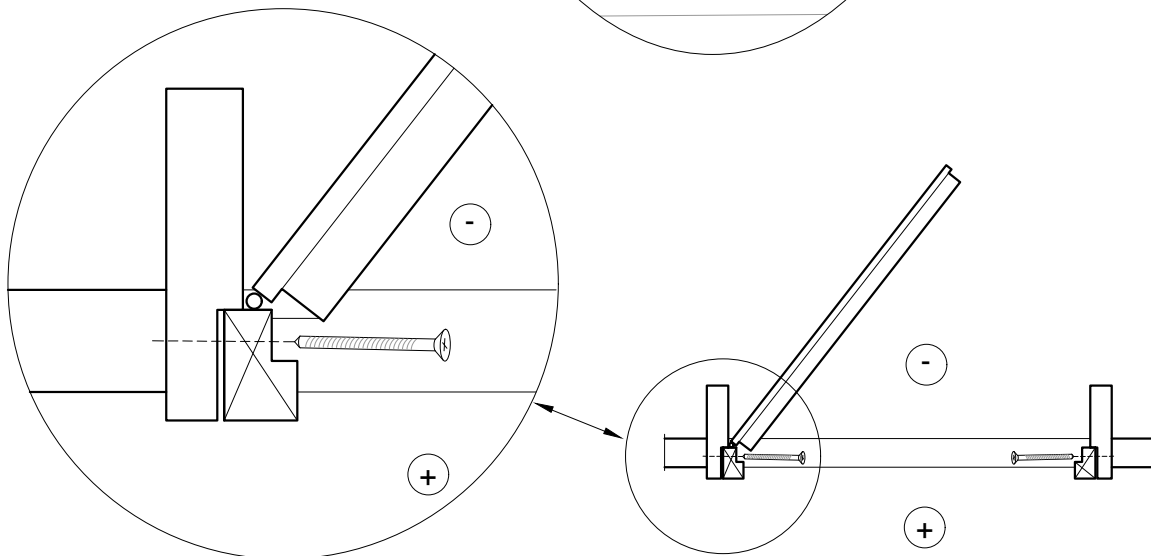
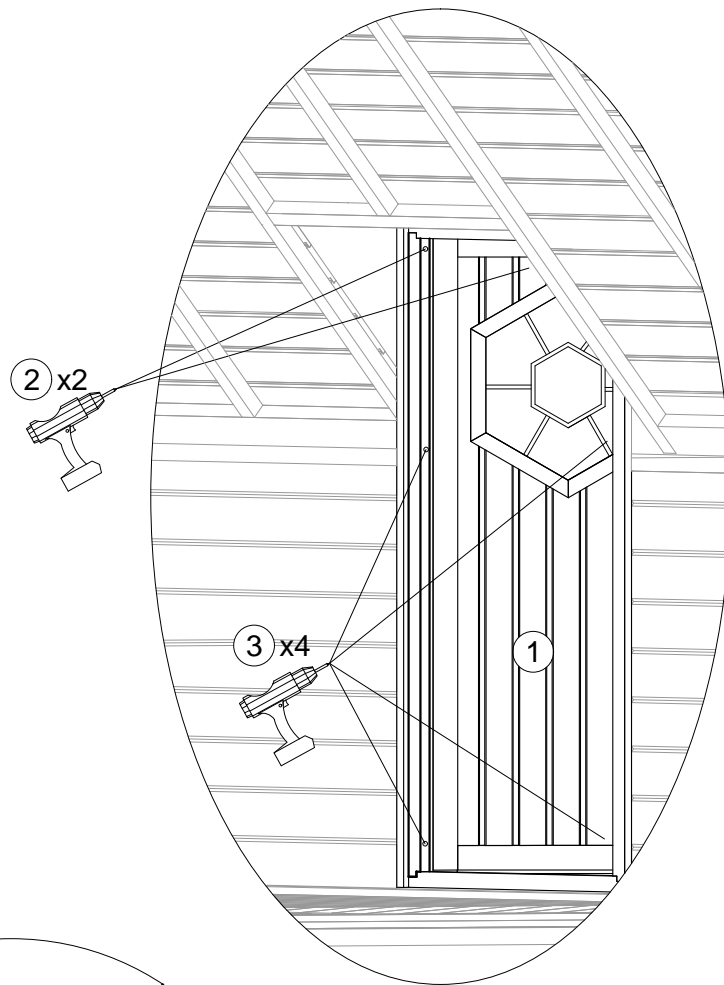
11. Corridor OUTSIDE DOOR

① x1
PUS00013
or
PUS00060
or
PUS00321
or
PUS00317
or
PUS00322



 x2
T-BC-4x50

 x4
T-GC-5x100




12. Corridor INSIDE FINISHING BOARD

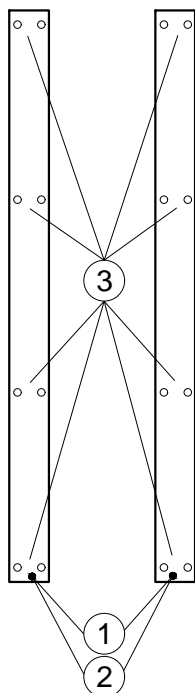
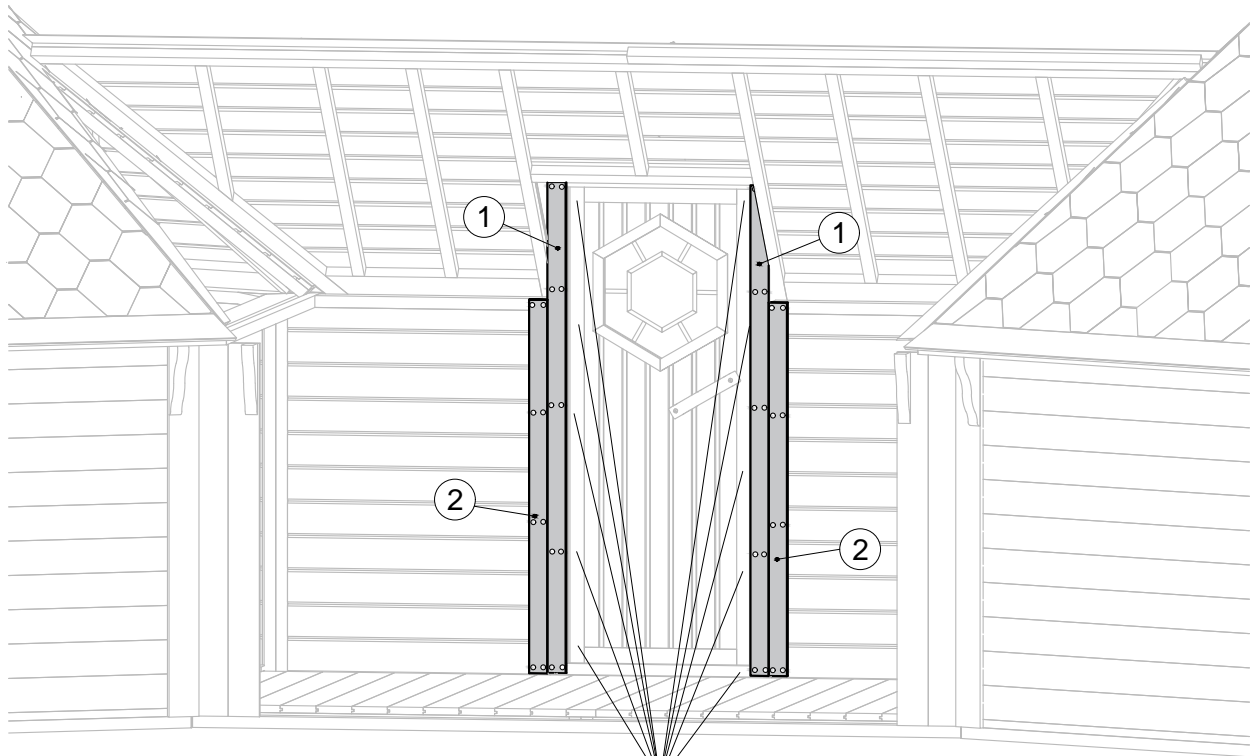
① x2
M-18x70x1624
or
M-18x70x1754
or
M-18x70x1884



② x2
M-18x70x1150
or
M-18x70x1280
or
M-18x70x1410




③ x32
T-GC-3.5x45

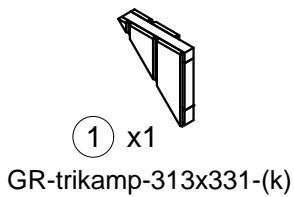
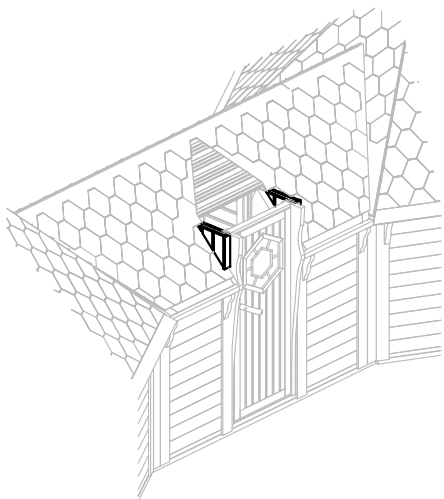


③ x32 

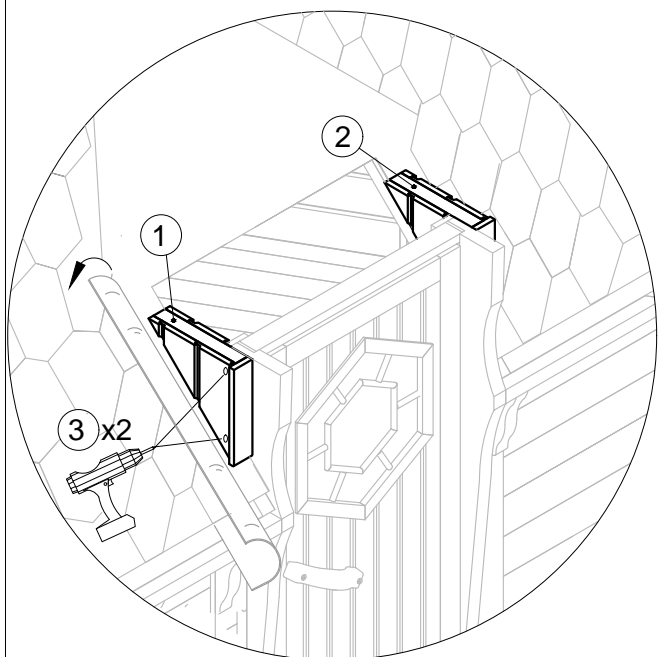
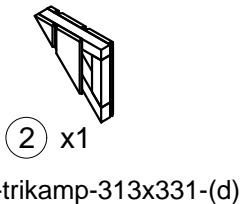
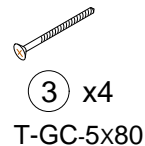
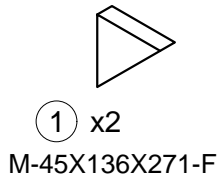
13. Corridor ENTRANCE ASSEMBLY

782mm
standard door

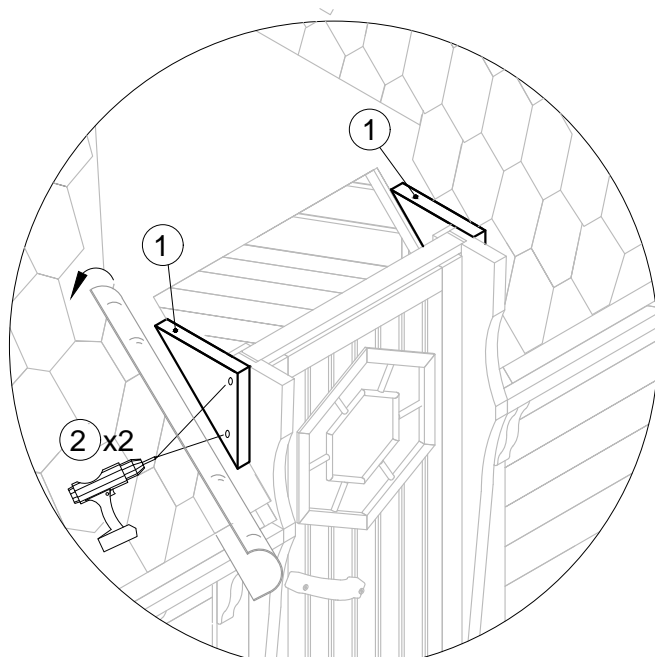
1070mm
disabled door



OR

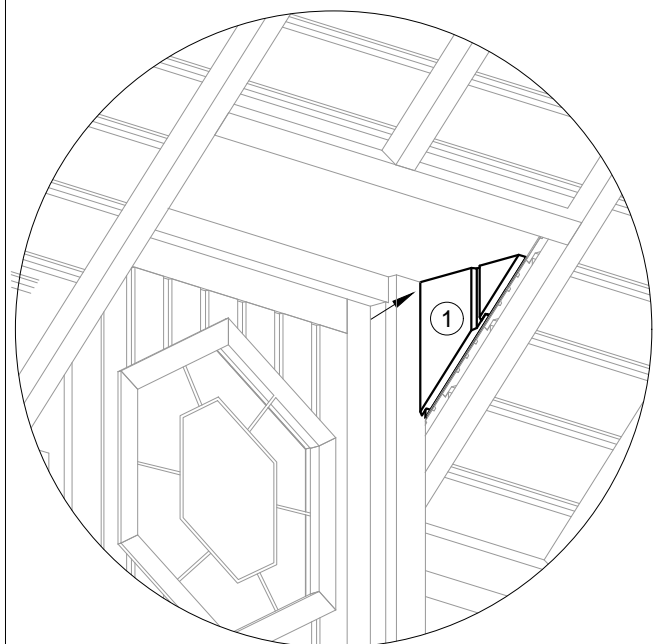


OR

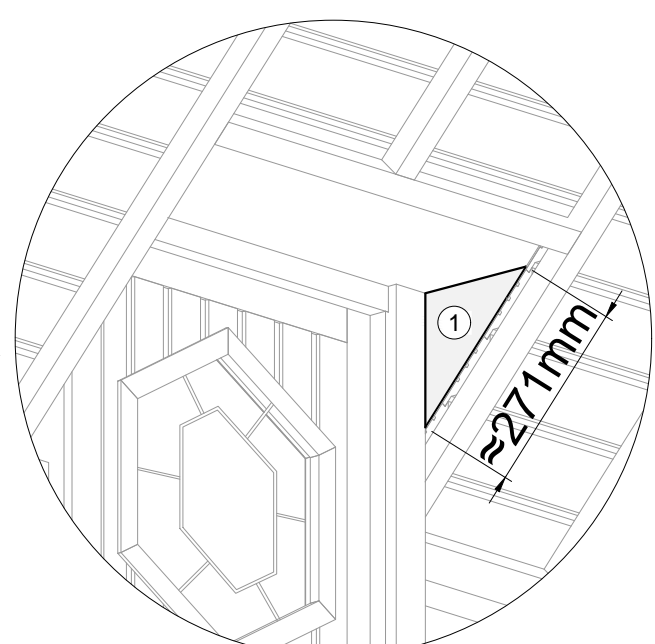


782mm
standard door

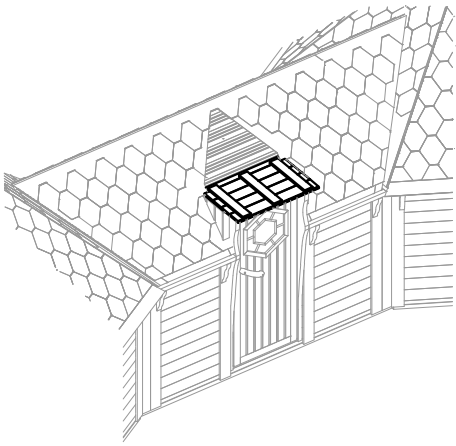
1070mm
disabled door



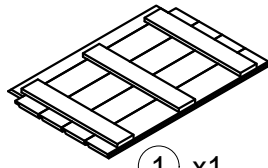
OR



13.1 Corridor ENTRANCE ASSEMBLY

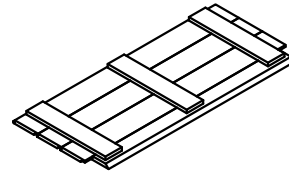


782mm
standard door



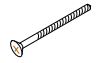
① x1
GR-lubos-636x939

1070mm
disabled door

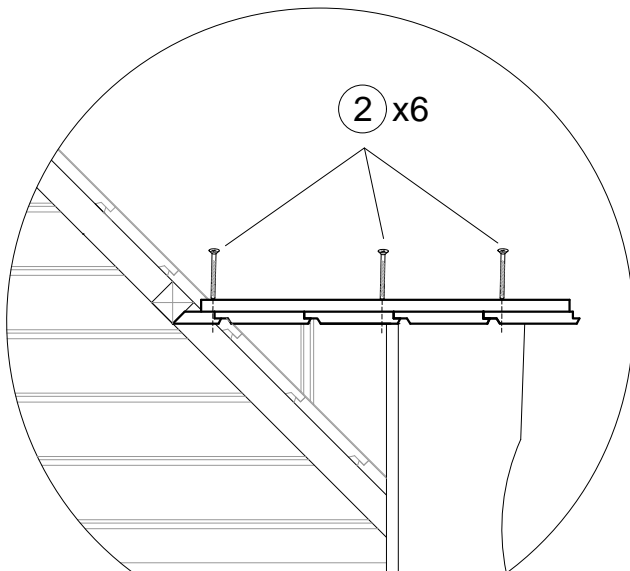
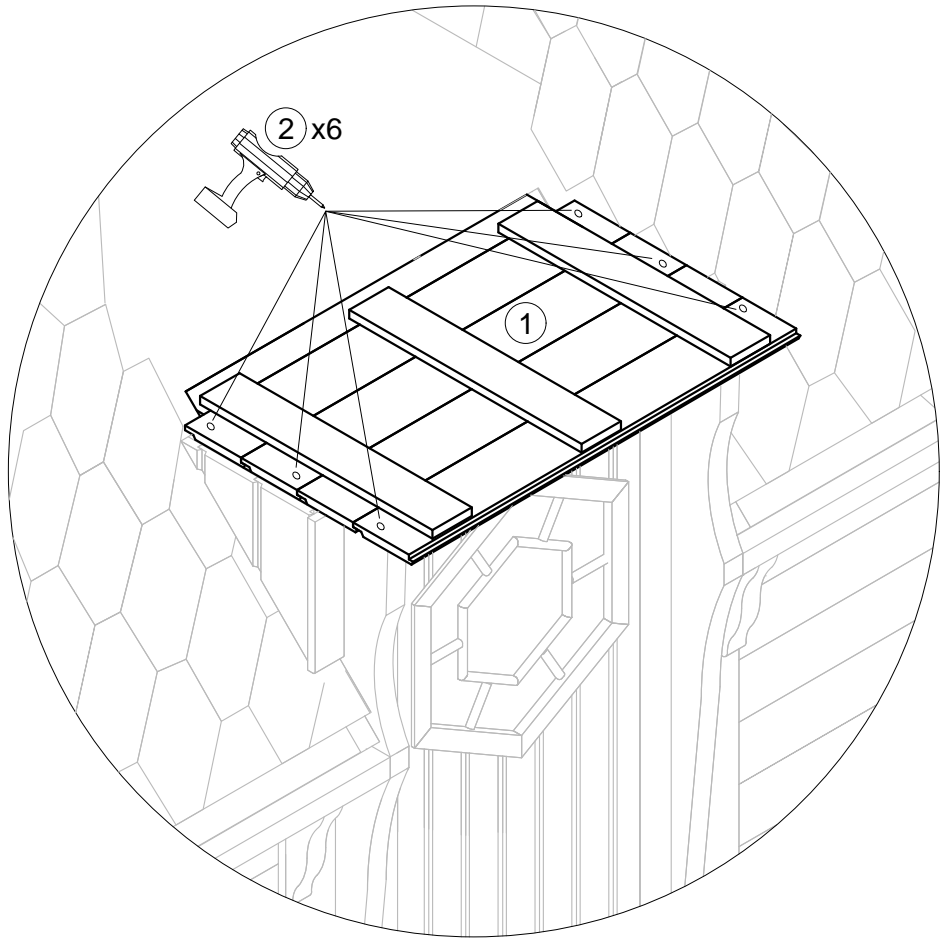


① x1
GR-lubos-507x1159

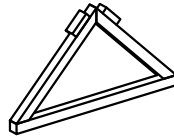
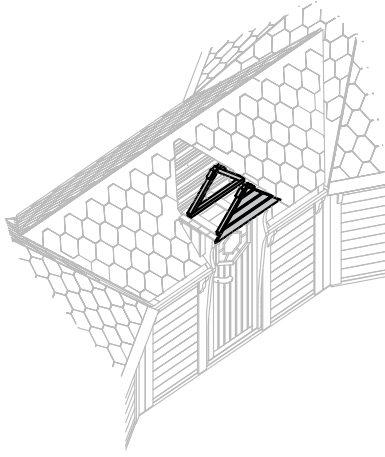
OR



② x6
T-GC-4x70

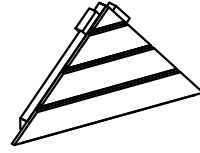


13.2 Corridor ENTRANCE ASSEMBLY



① x1

GR-Stog-trik-453x815
or
GR-Stog-trik-563x1035



② x1

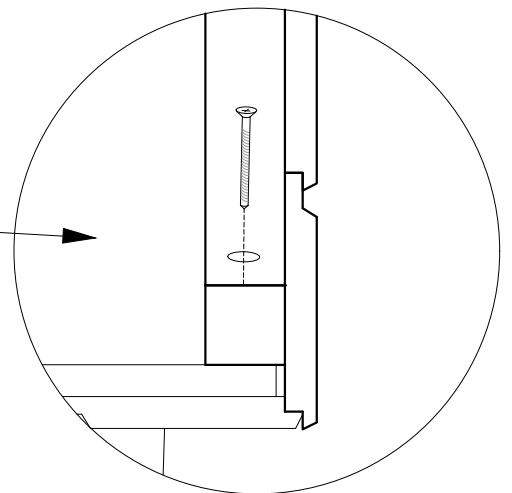
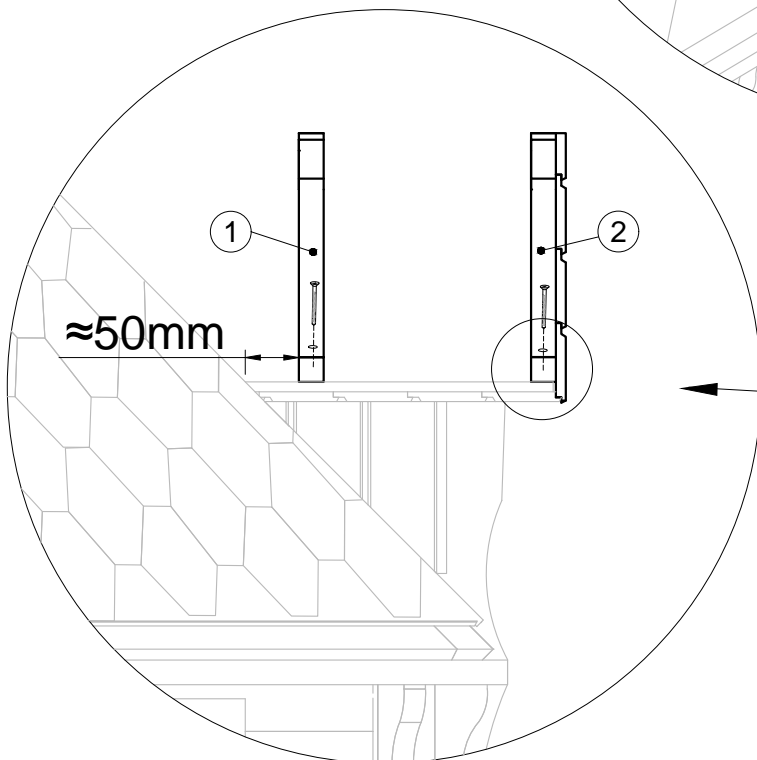
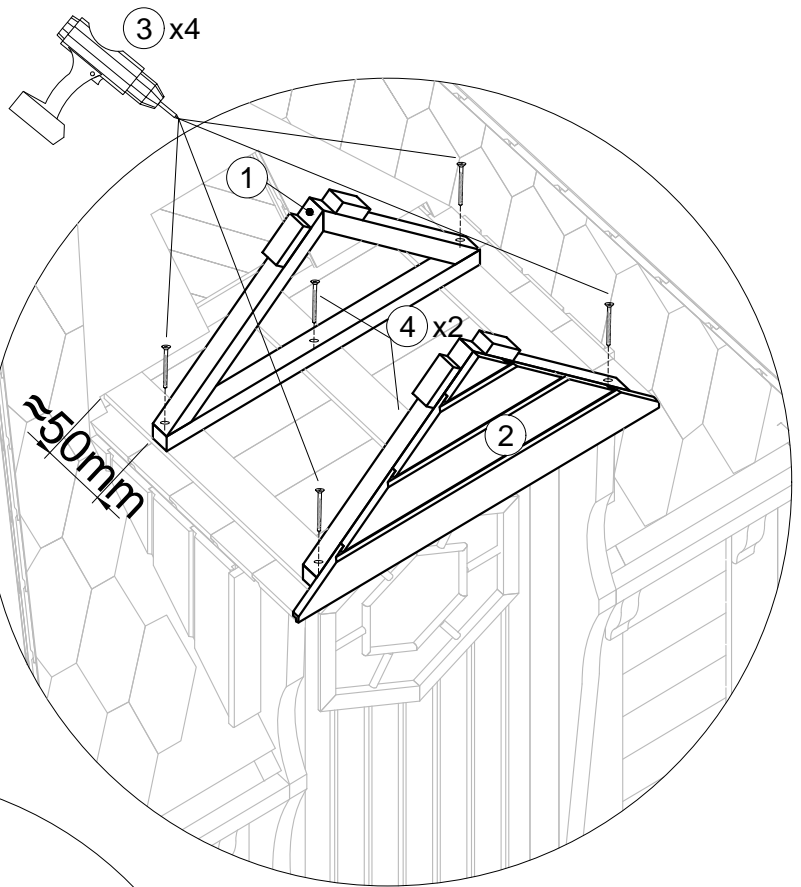
GR-Pr-trik-491x981
or
GR-Pr-trik-601x1202



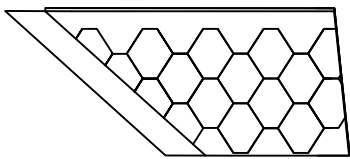
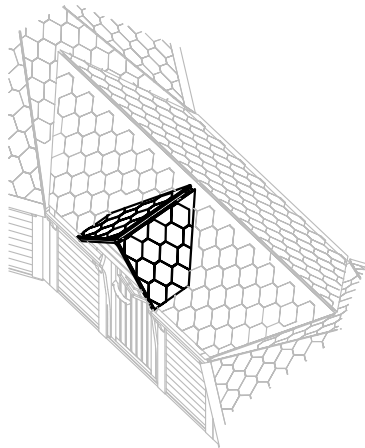
③ x4
T-GC-5x100



④ x2
T-GC-4x70

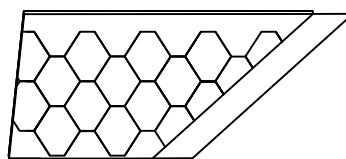


13.3 Corridor ENTRANCE ASSEMBLY



① x1

GR-Stog-845x1090-(k)
or
GR-Stog-1001x1070-(k)



② x1

GR-Stog-845x1090-(d)
or
GR-Stog-1001x1070-(d)

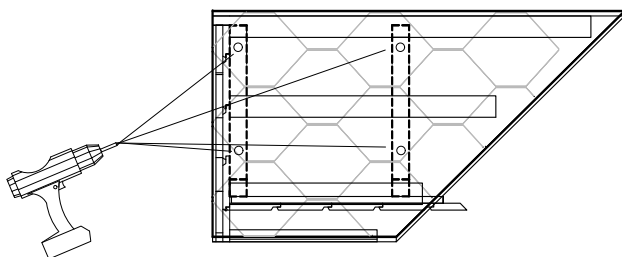
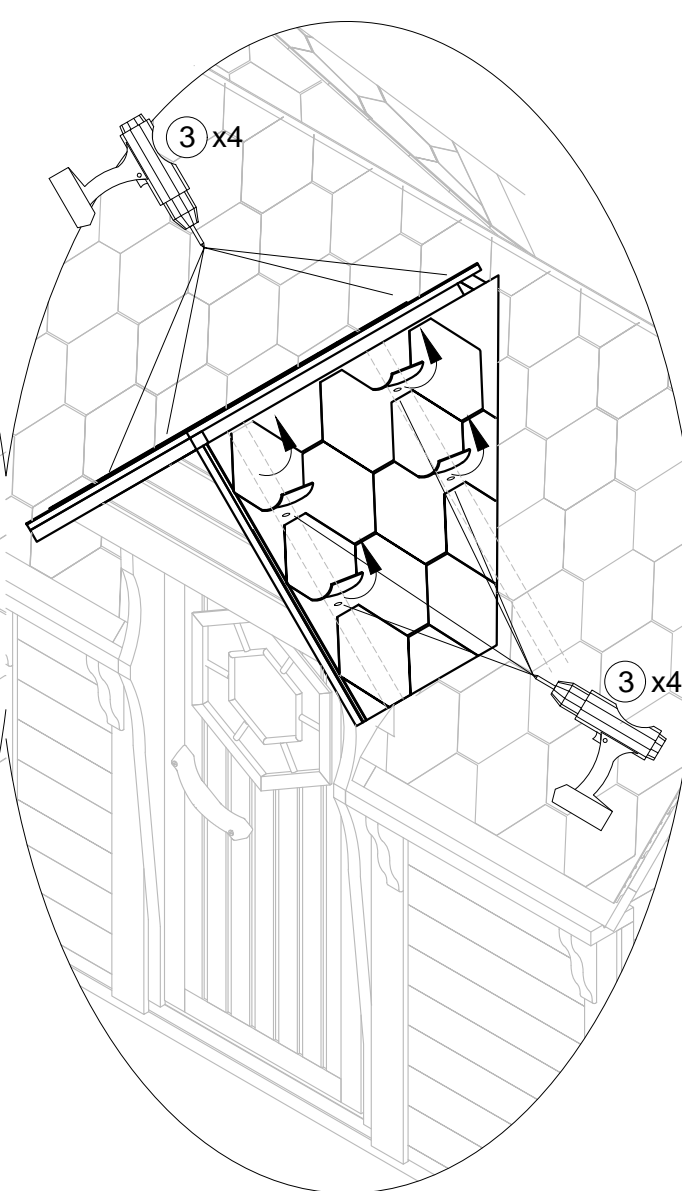
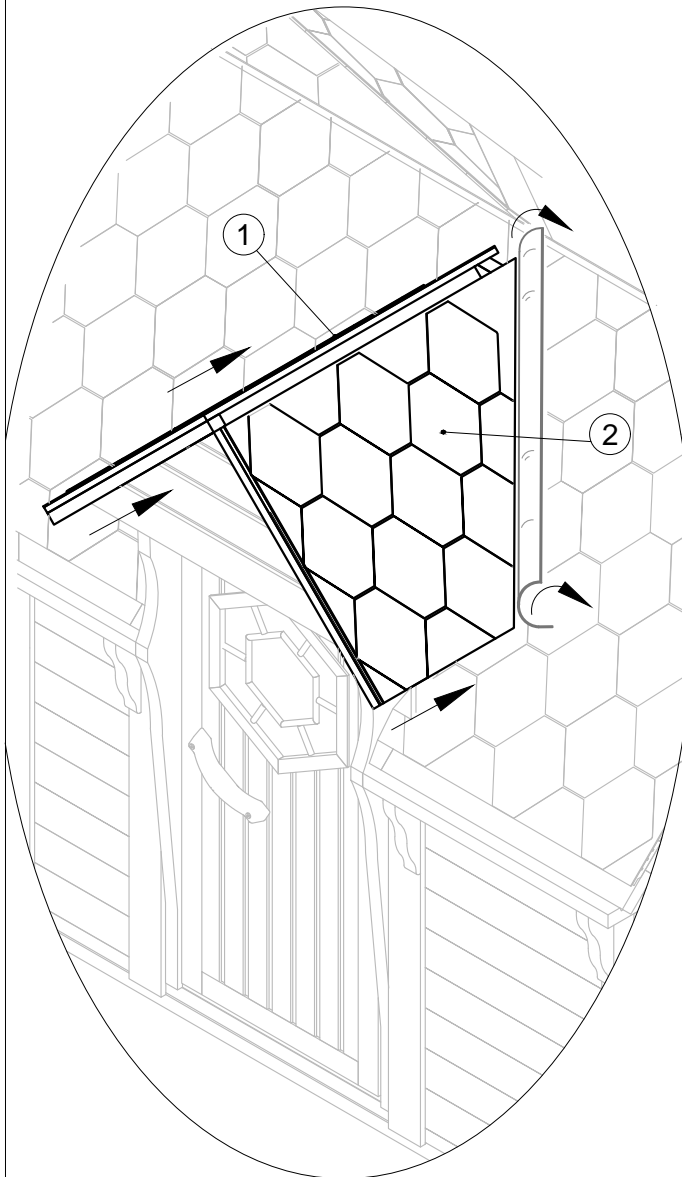


③ x8

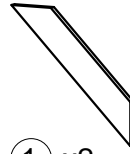
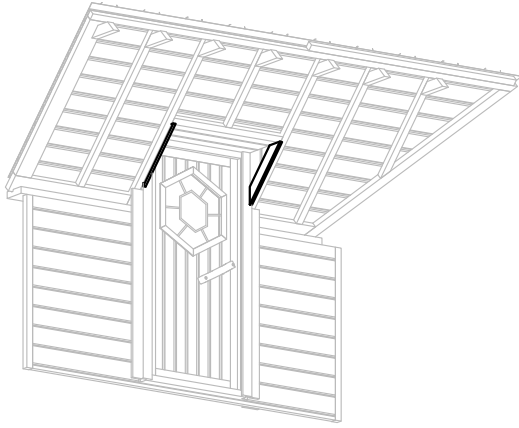
T-GC-5x100

1 Step

2 Step



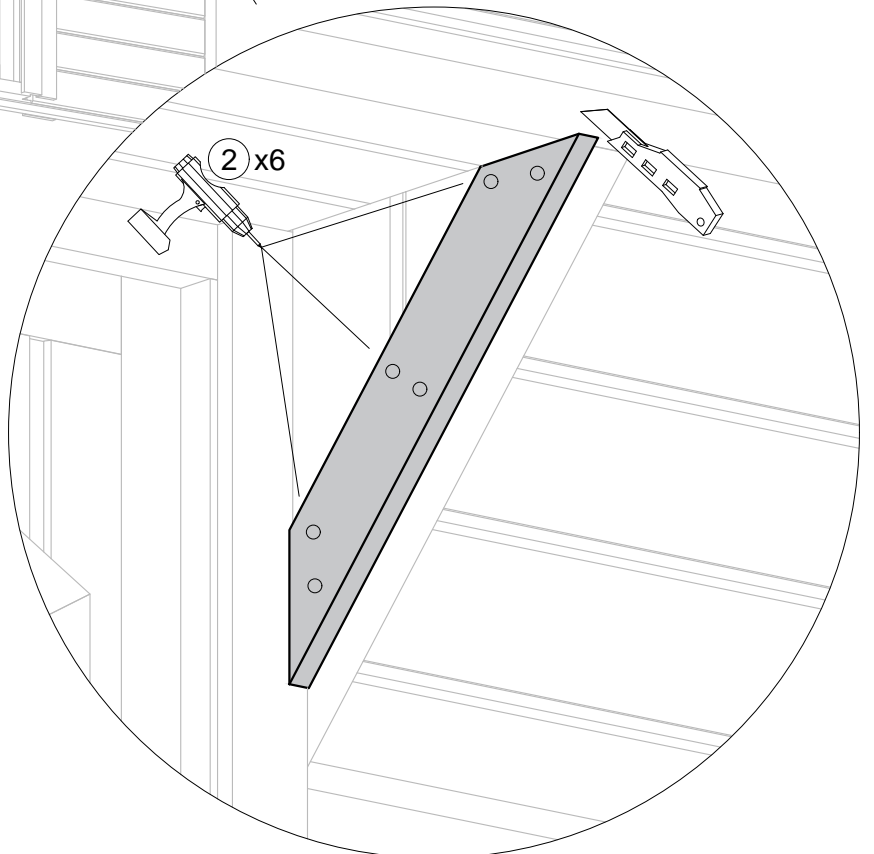
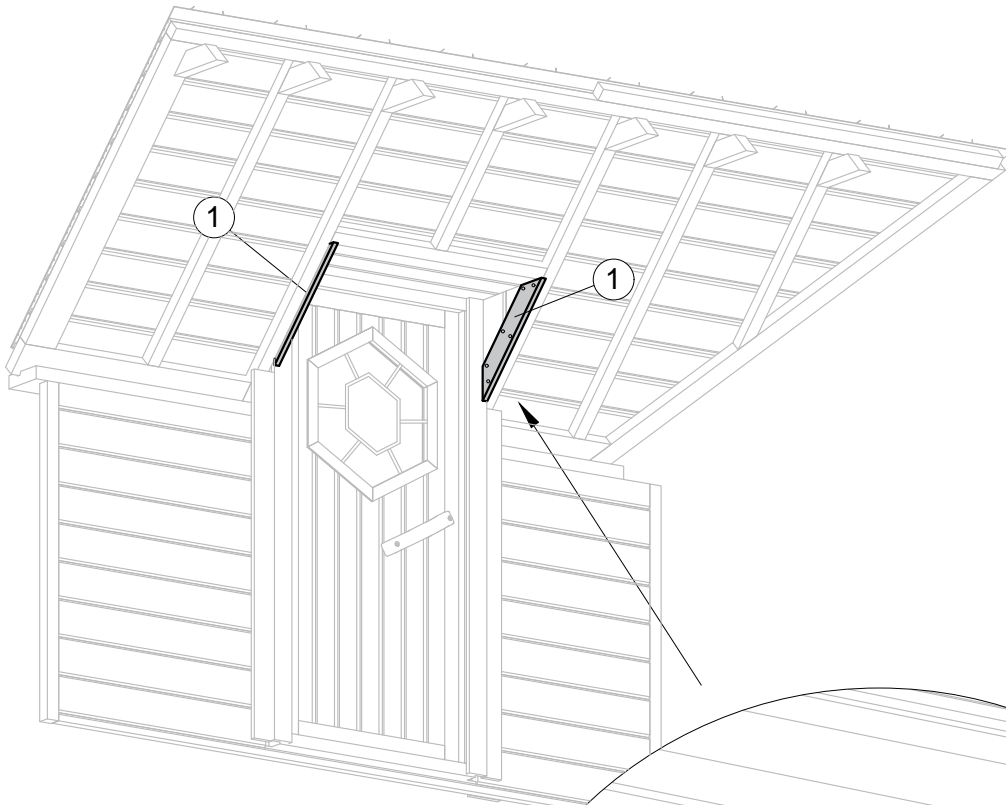
13.4 Corridor ENTRANCE ASSEMBLY



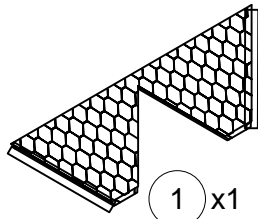
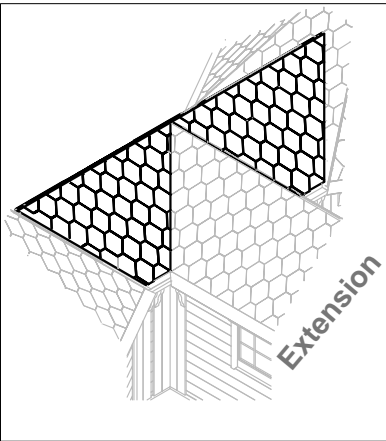
① x2
M-18x83x488-F
or
M-18x95x318-F



② x12
T-GC-3.5x45



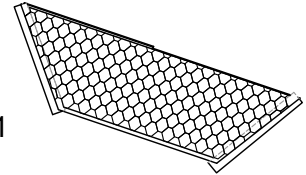
14 Corridor ROOF WITH EXTENSION



Korid-StogEx-1376x4524
or
Korid-I-StogEx-1376x4524

2 x1

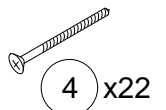
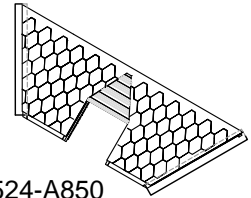
Korid-Stog-1376x4524
or
Korid-I-Stog-1376x4524



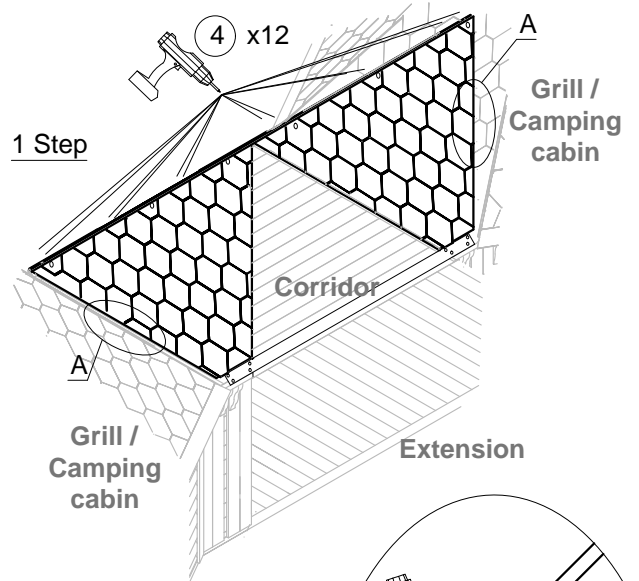
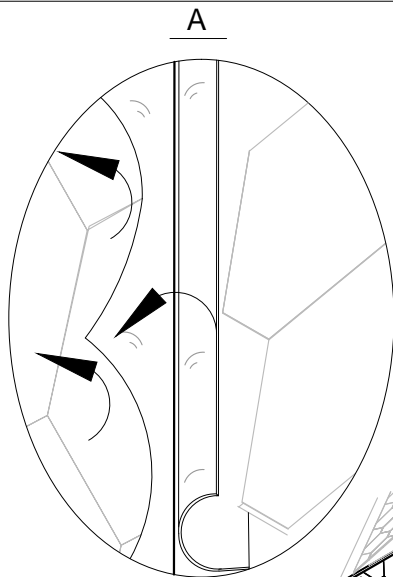
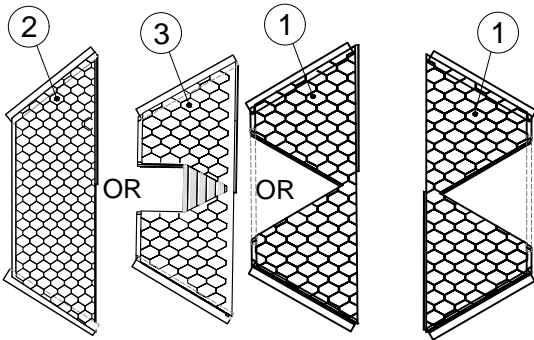
OR

3 x1

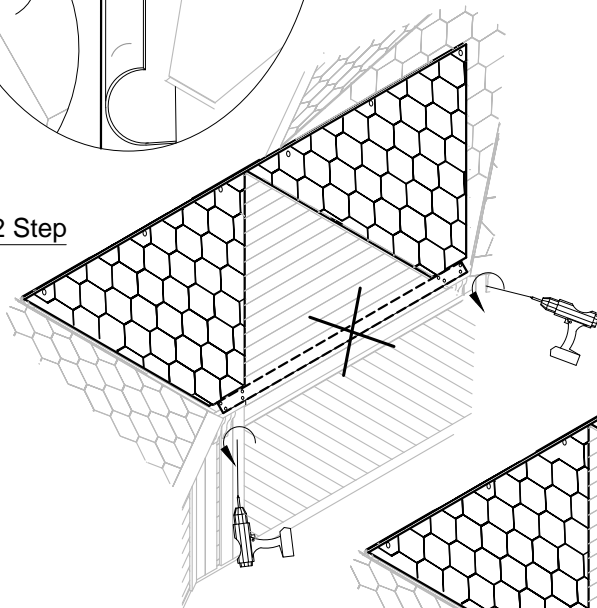
Korid-StogD-1376x4524-A850
or
Korid-I-StogD-1376x4524-A850
or
Korid-StogD-1376x4524-A1070
or
Korid-StogD-1376x4524-A1070



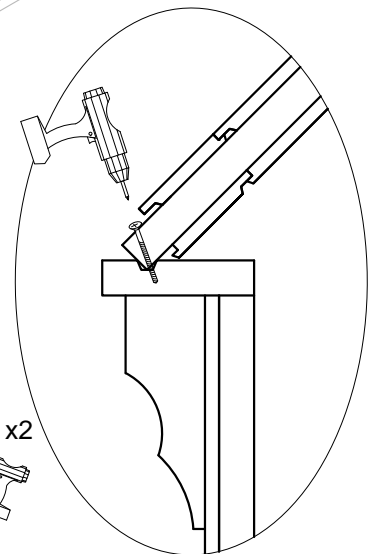
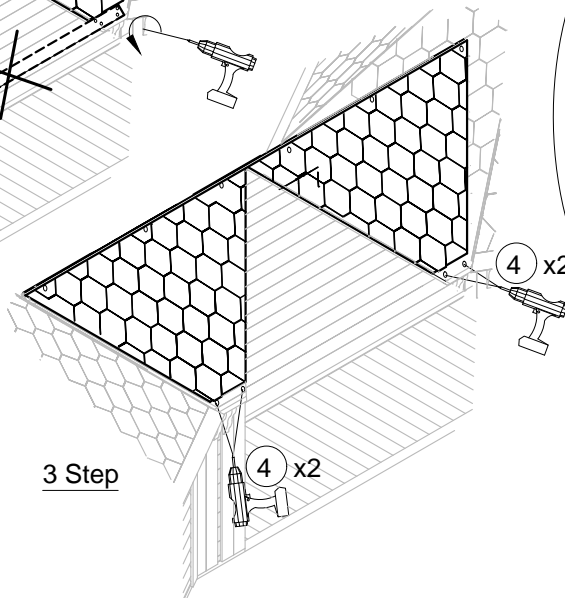
T-GC-5x80



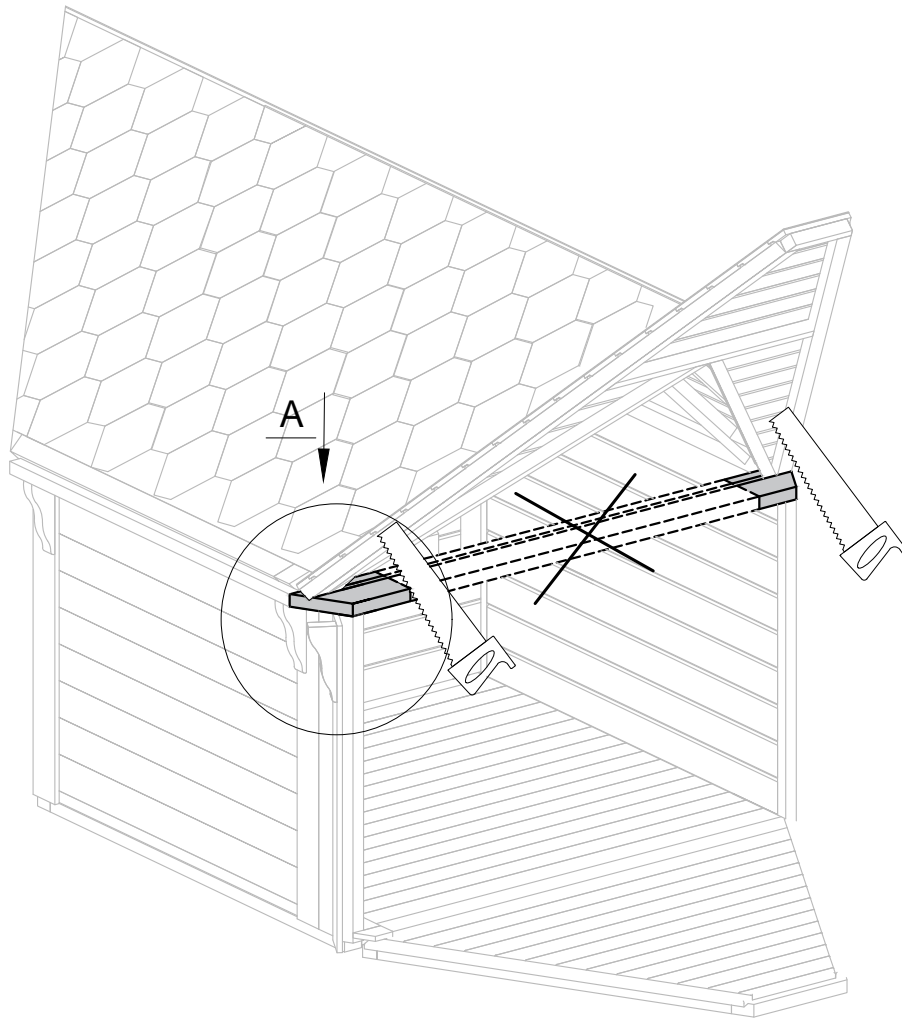
2 Step



3 Step



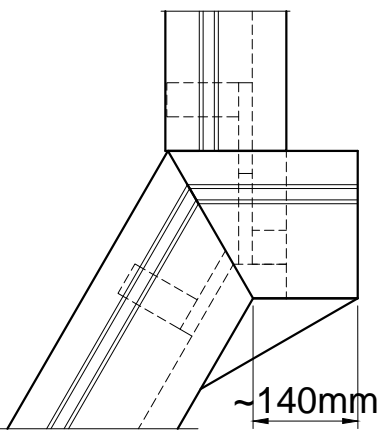
15. Corridor



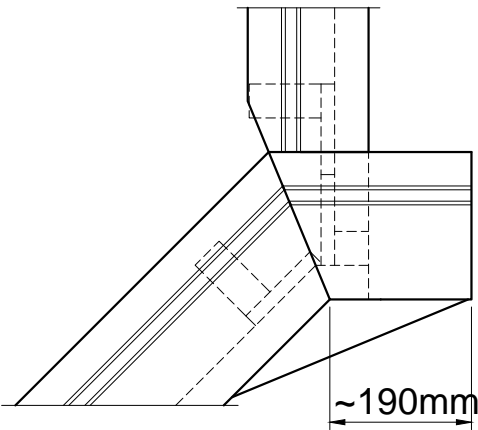
A

A

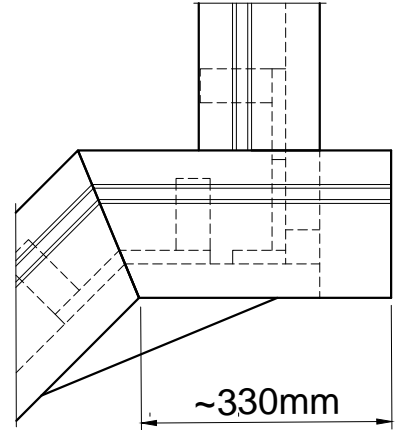
A



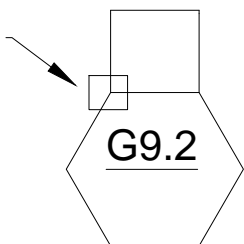
~140mm



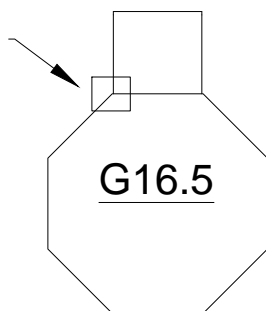
~190mm



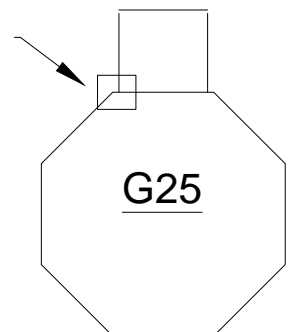
~330mm



G9.2

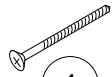


G16.5



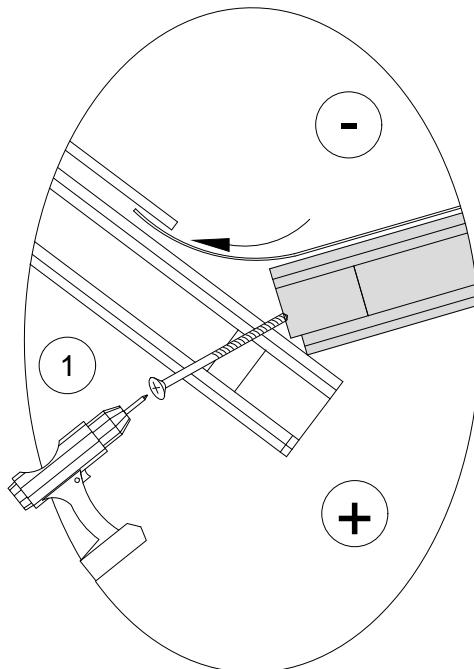
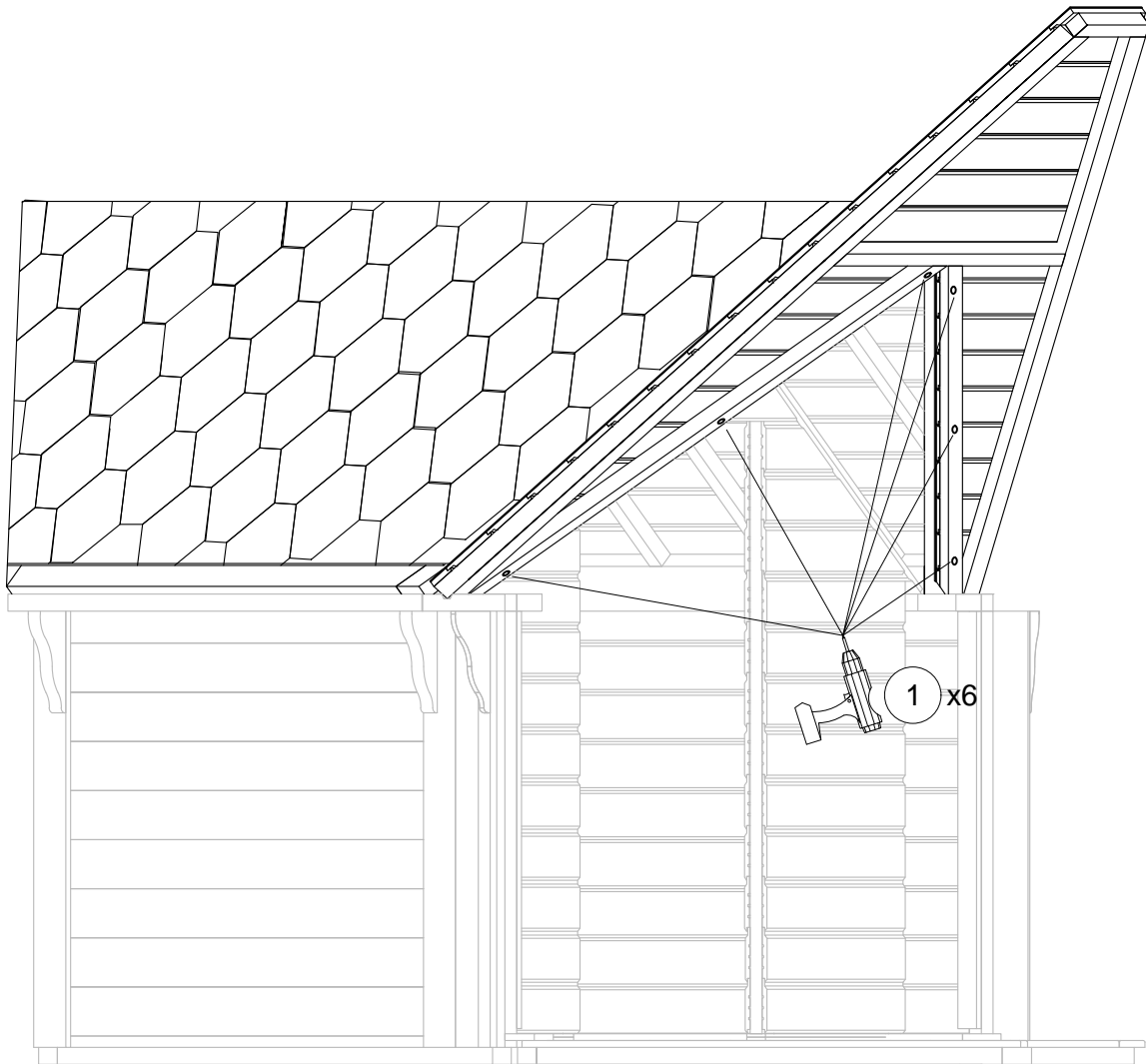
G25

16. Corridor ROOF FIX

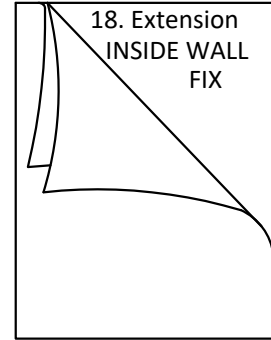
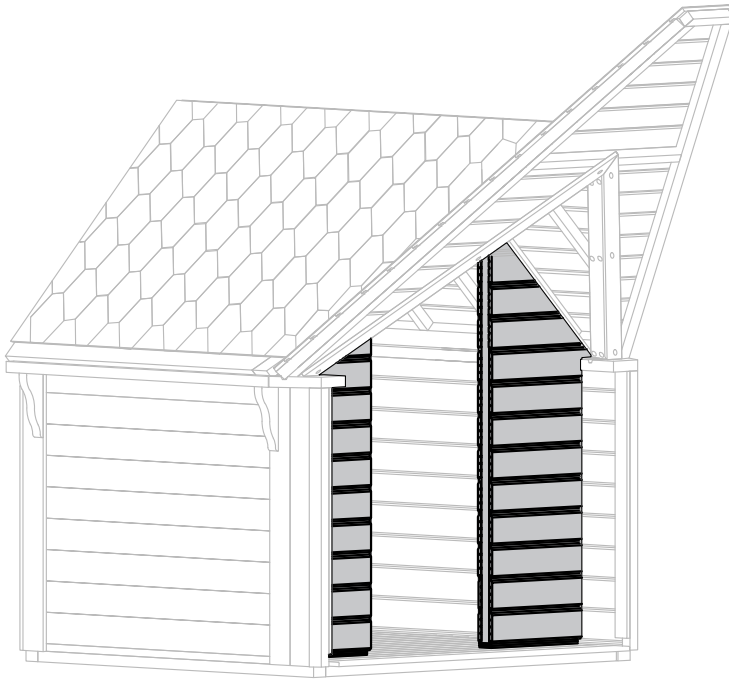


1 x6

T-GC-5x100

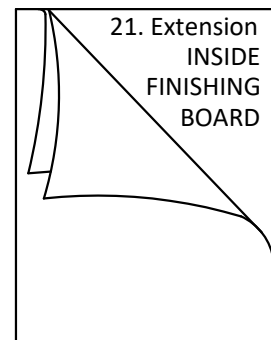
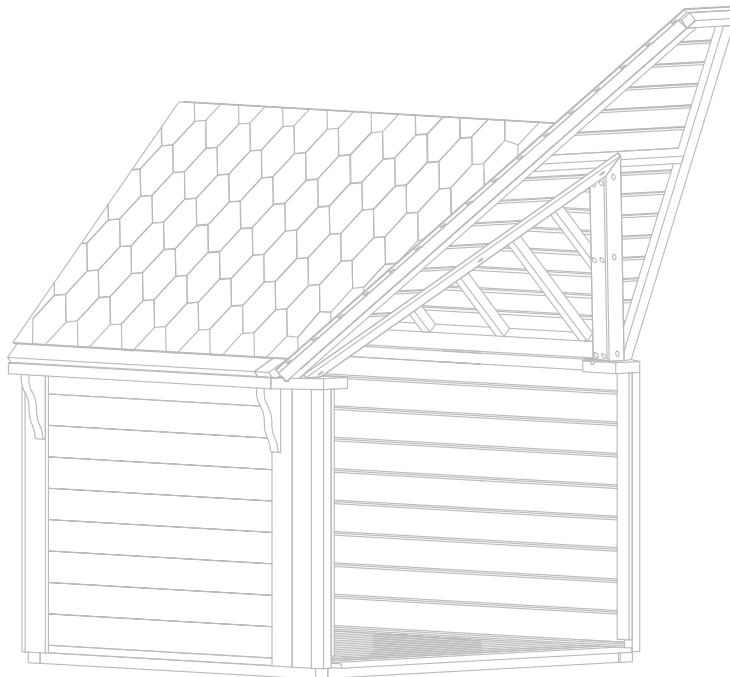


17. Corridor



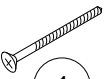
WITH INSIDE WALL


OR



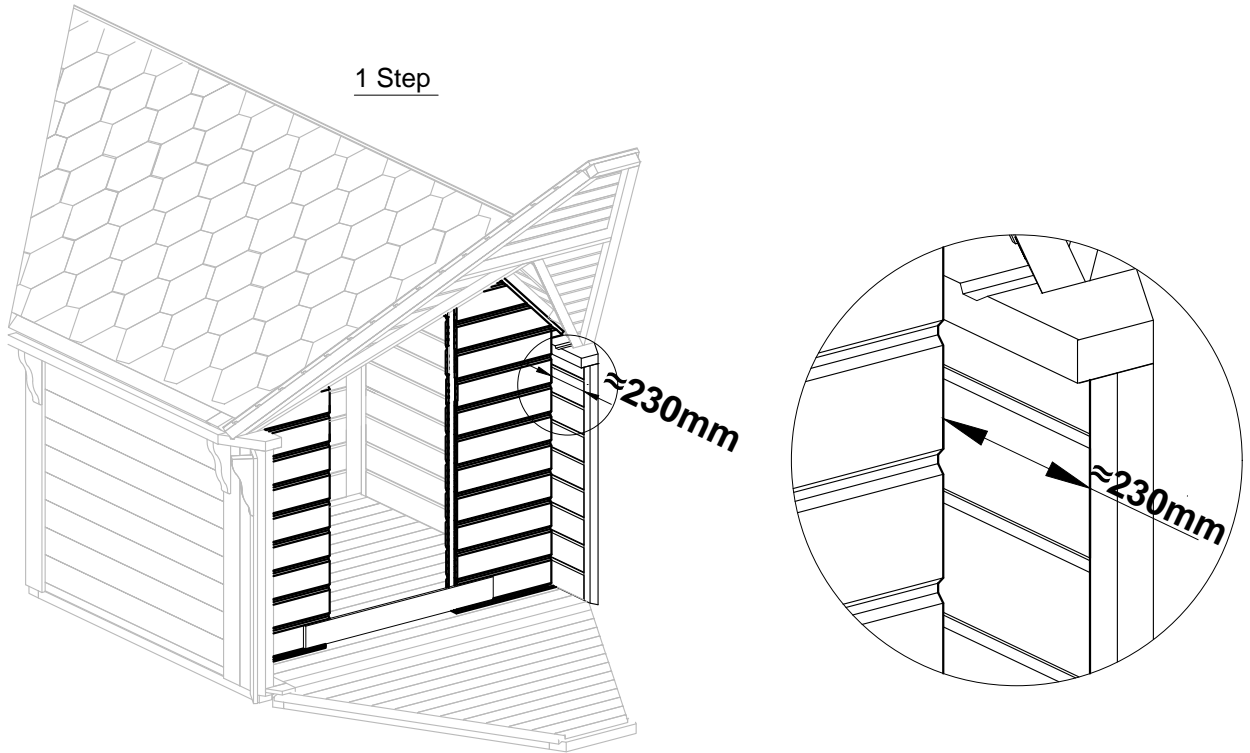
WITHOUT INSIDE WALL

18. Corridor INSIDE WALL FIX

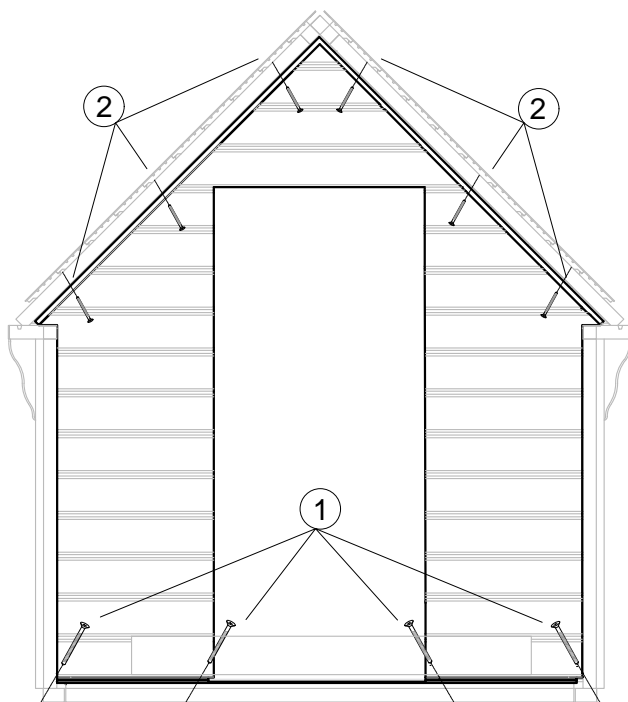

① x4
T-GC-5x100


② x6
T-GC-4x70

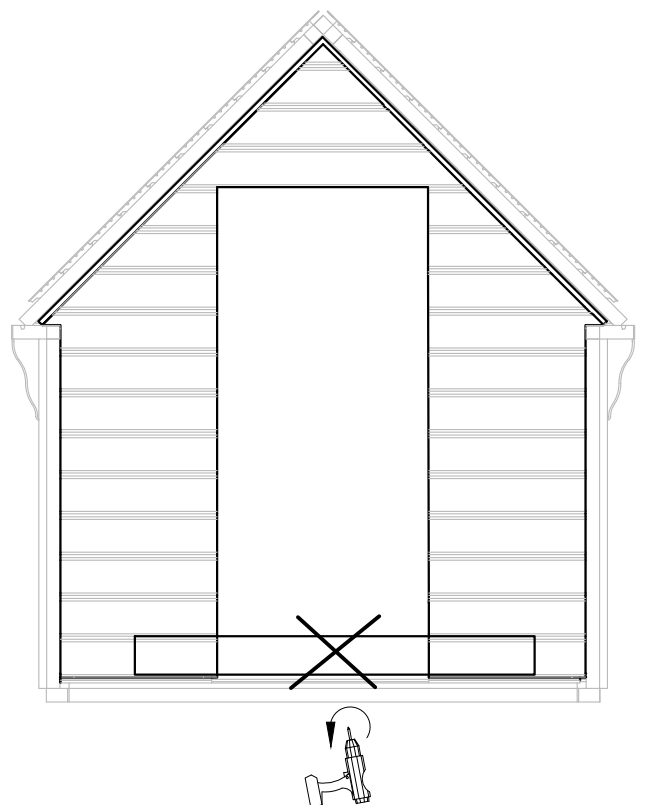
1 Step



2 Step



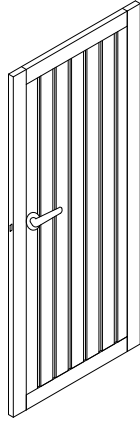
3 Step



19. Corridor INSIDE DOOR

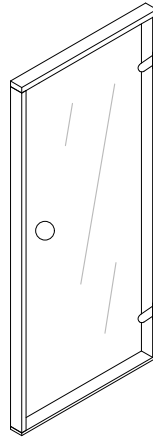
① x1

PUS00335
or
PUS00338
or
PUS00336
or
PUS00339



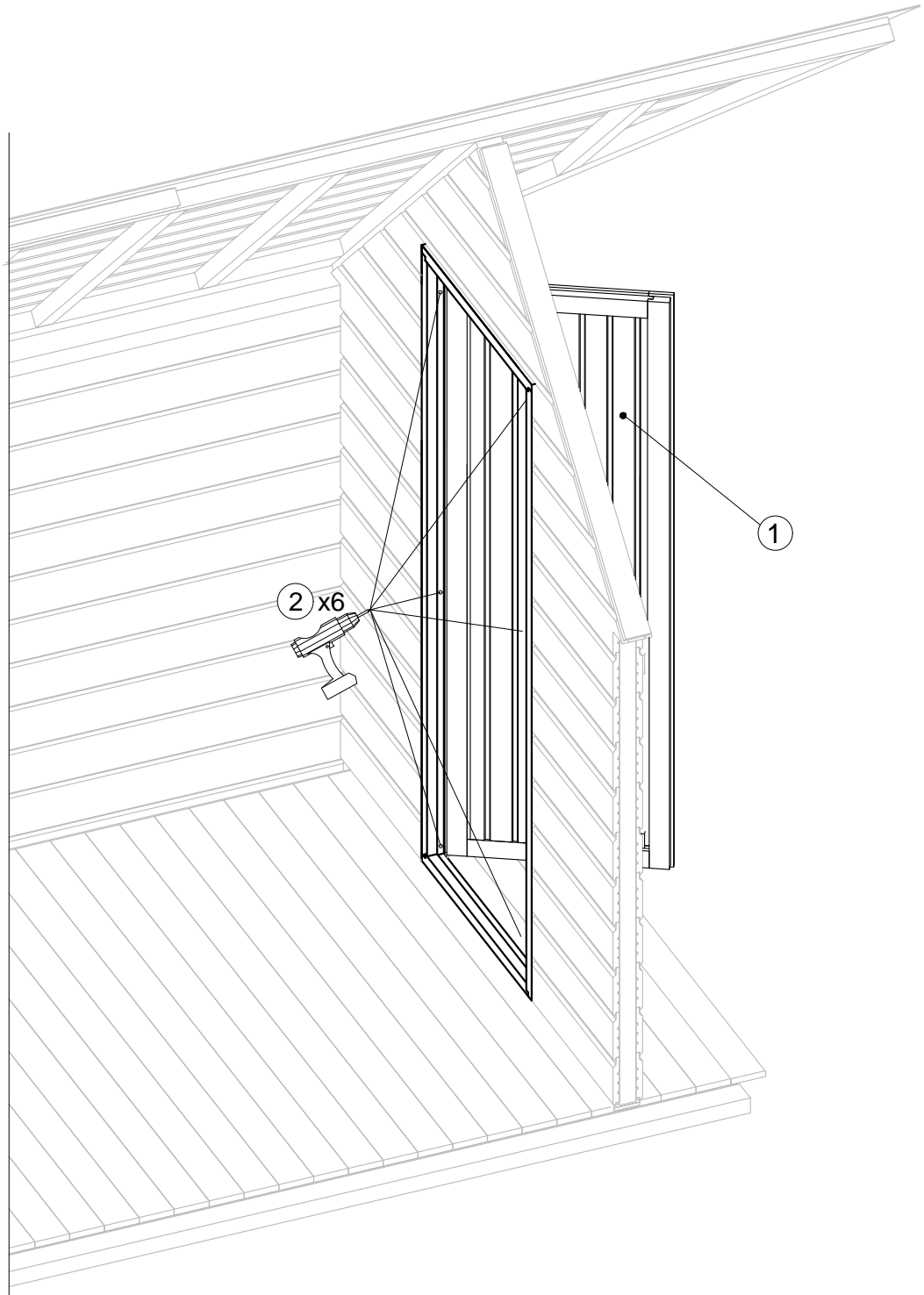
① x1

PUS00232
or
PUS00233

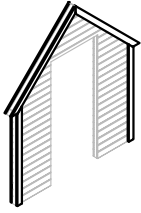


② x6

T-GC-5x100



20. Corridor INSIDE WALL FINISHING BOARD



① x4

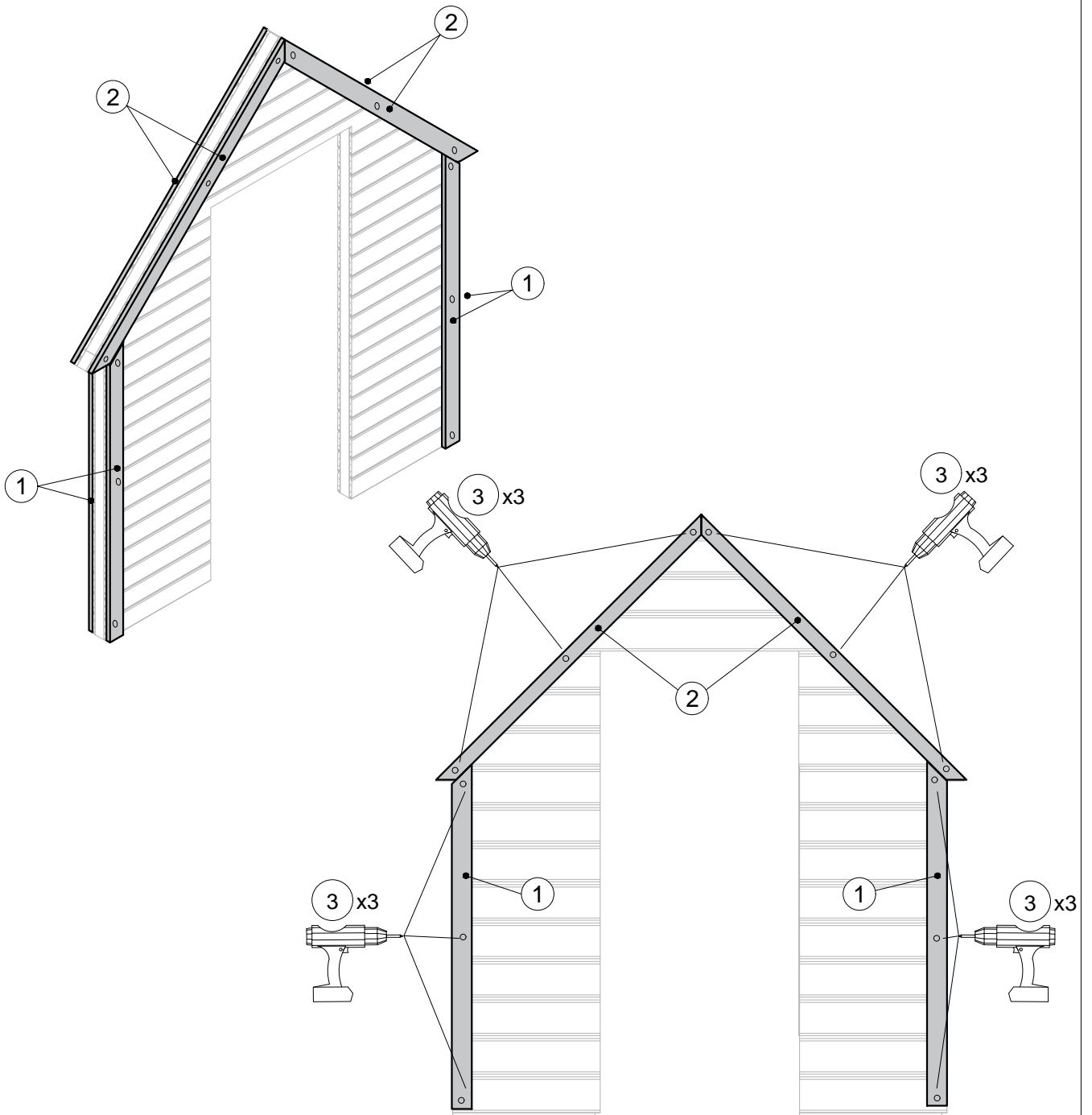
M-18x70x1210-F
or
M-18x70x1340-F
or
M-18x70x1470-F

② x4

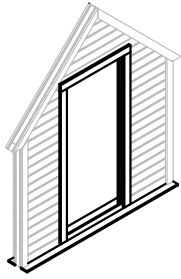
M-18x70x1350-F
or
M-18x50x1310-F



③ x24
T-GC-3.5x45

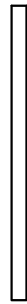


20.1 Corridor INSIDE WALL FINISHING BOARD



① x2

M-18x70x1599



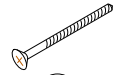
② x4

M-18x70x1640
or
M-18x70x1490
or
M-18x70x1840
or
M-18x70x1620



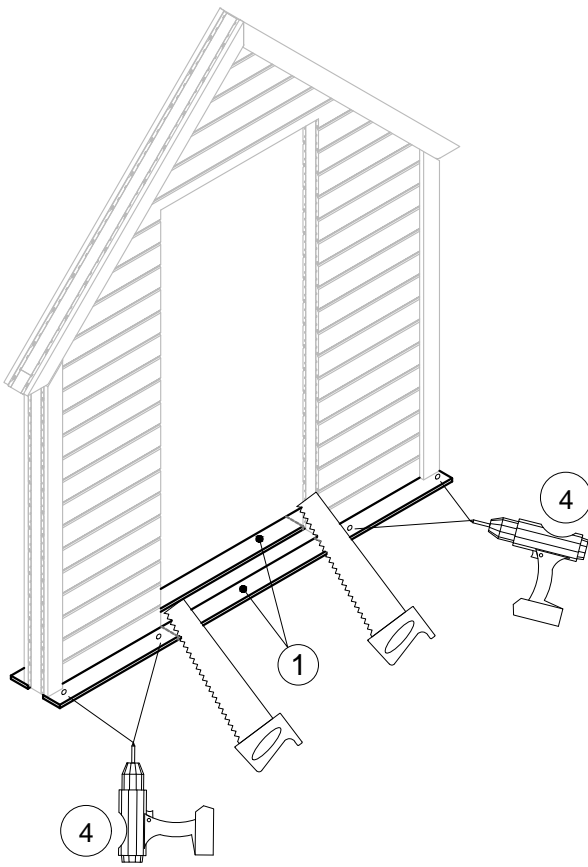
③ x2

M-18x70x810
or
M-18x70x1120

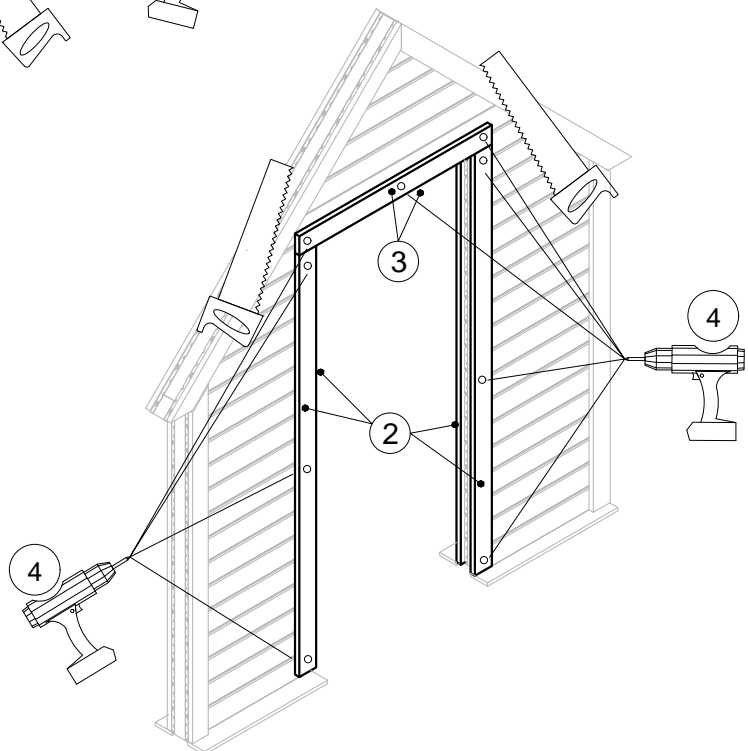


④ x46
T-GC-3.5x45

1 Step



2 Step



21. Corridor INSIDE FINISHING BOARD

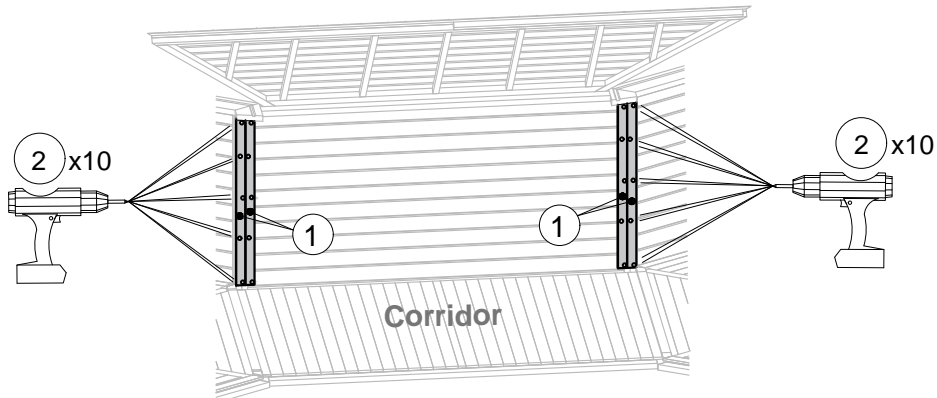


① x8 or (x12) or (x16)

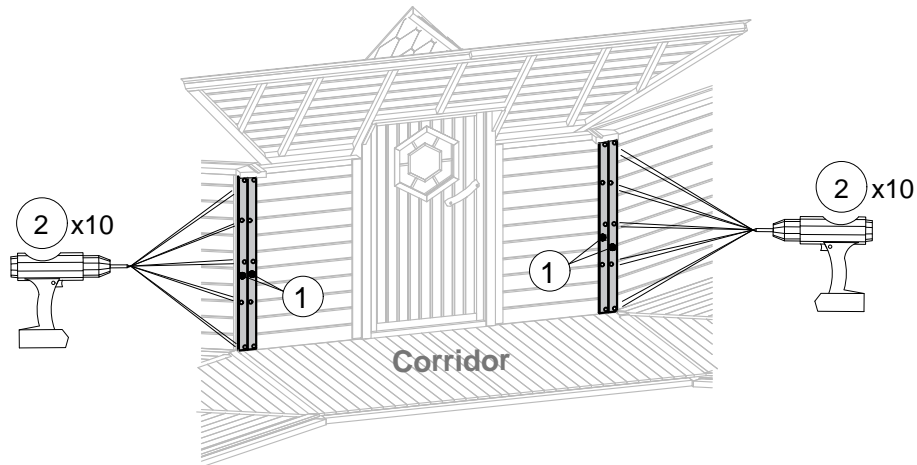
M-18x70x1105
or
M-18x70x1235
or
M-18x70x1365



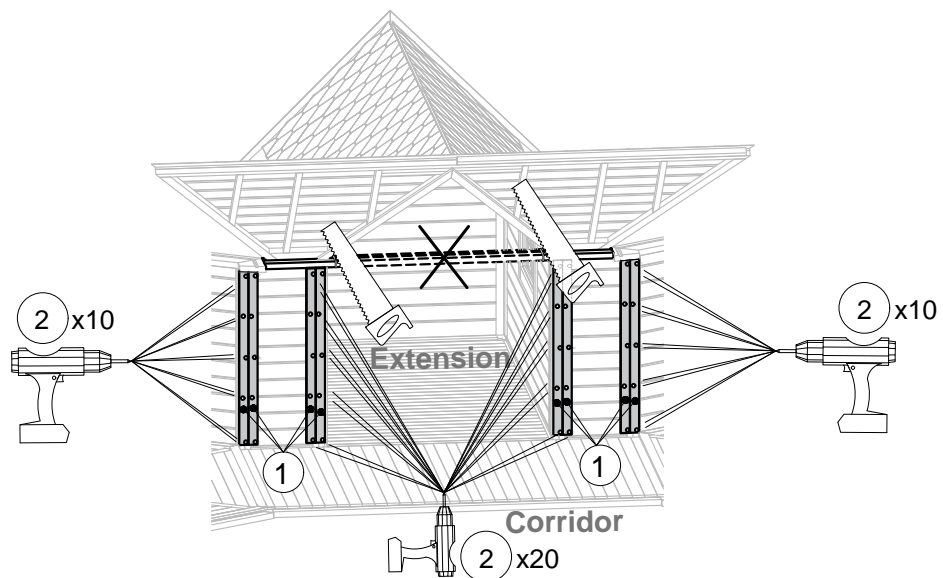
② x80
T-GC-3.5x45



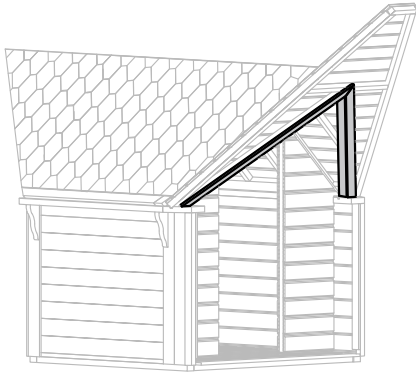
OR



OR



22. Corridor INSIDE FINISHING BOARD



① x4

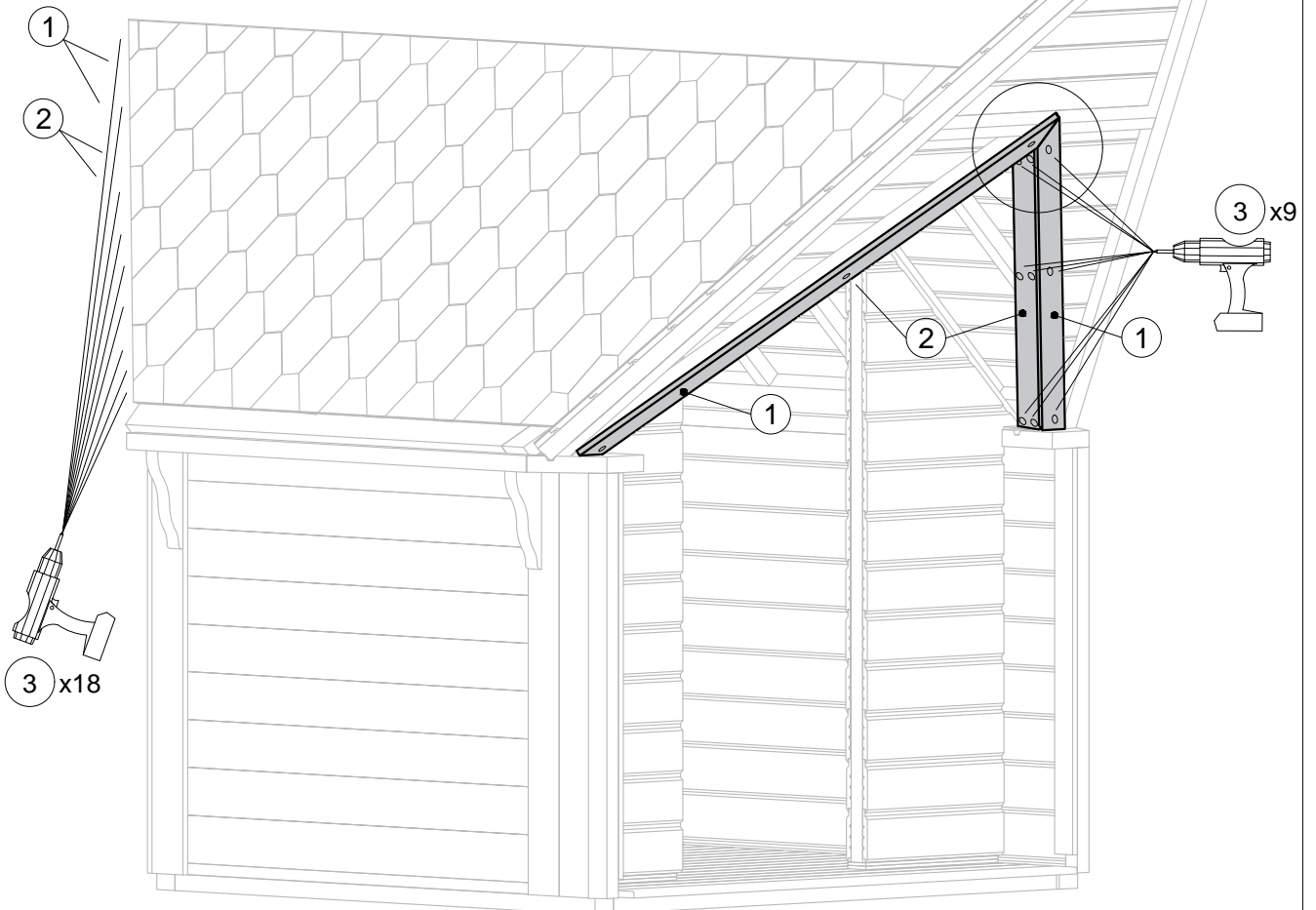
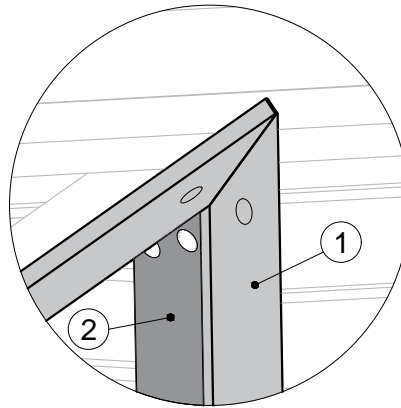
M-18x70x1580-F
or
M-18x70x1565-F

② x4

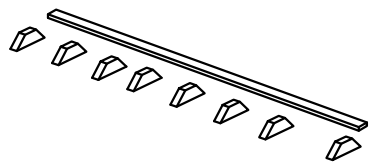
M-18x120x1610-F
or
M-18x120x1595-F



③ x36
T-GC-3.5x45



23. Corridor INSIDE FINISHING BOARD



① x1

M-18x70x4500



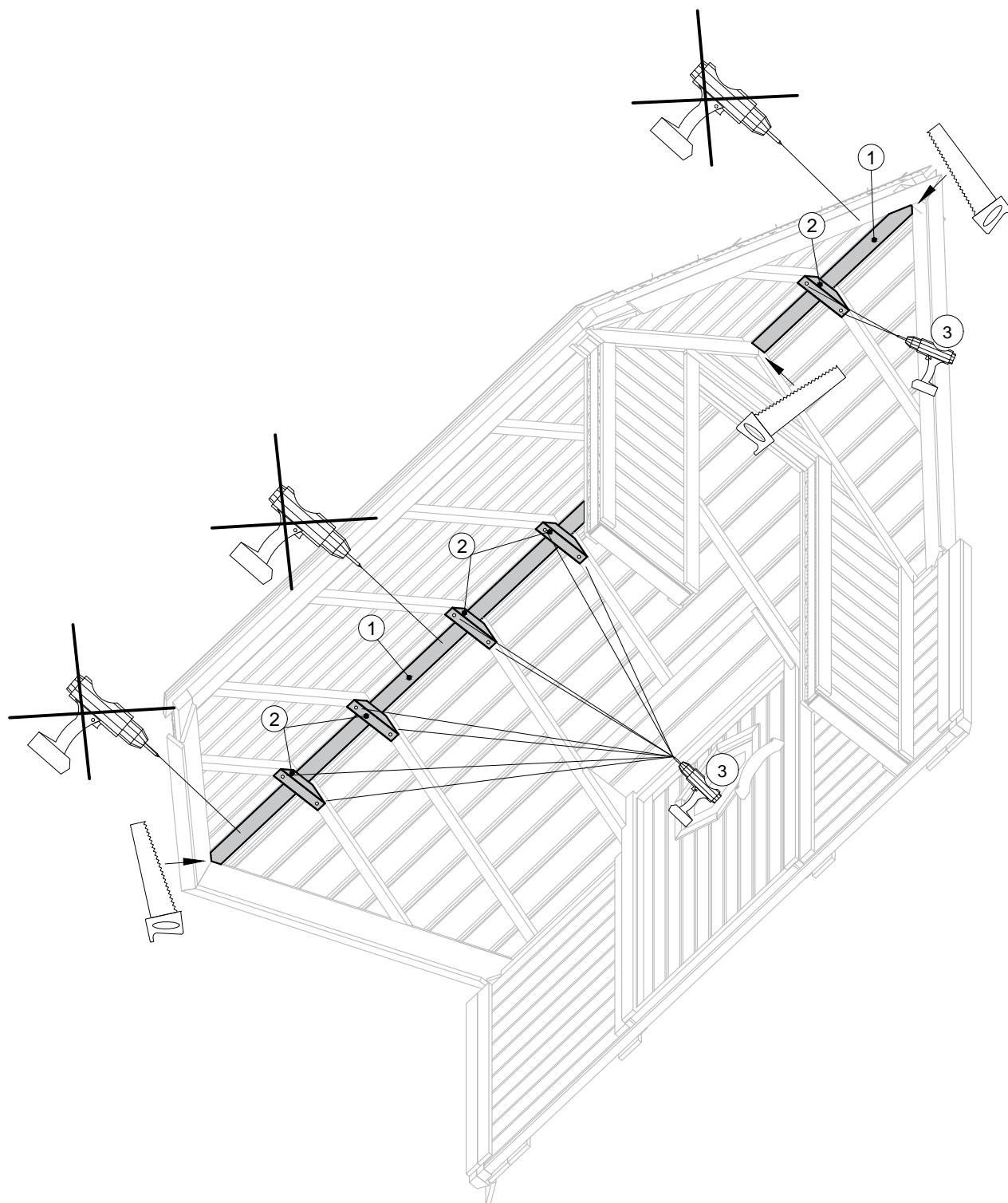
② x 11

M-45x70x250-F



③ x 22

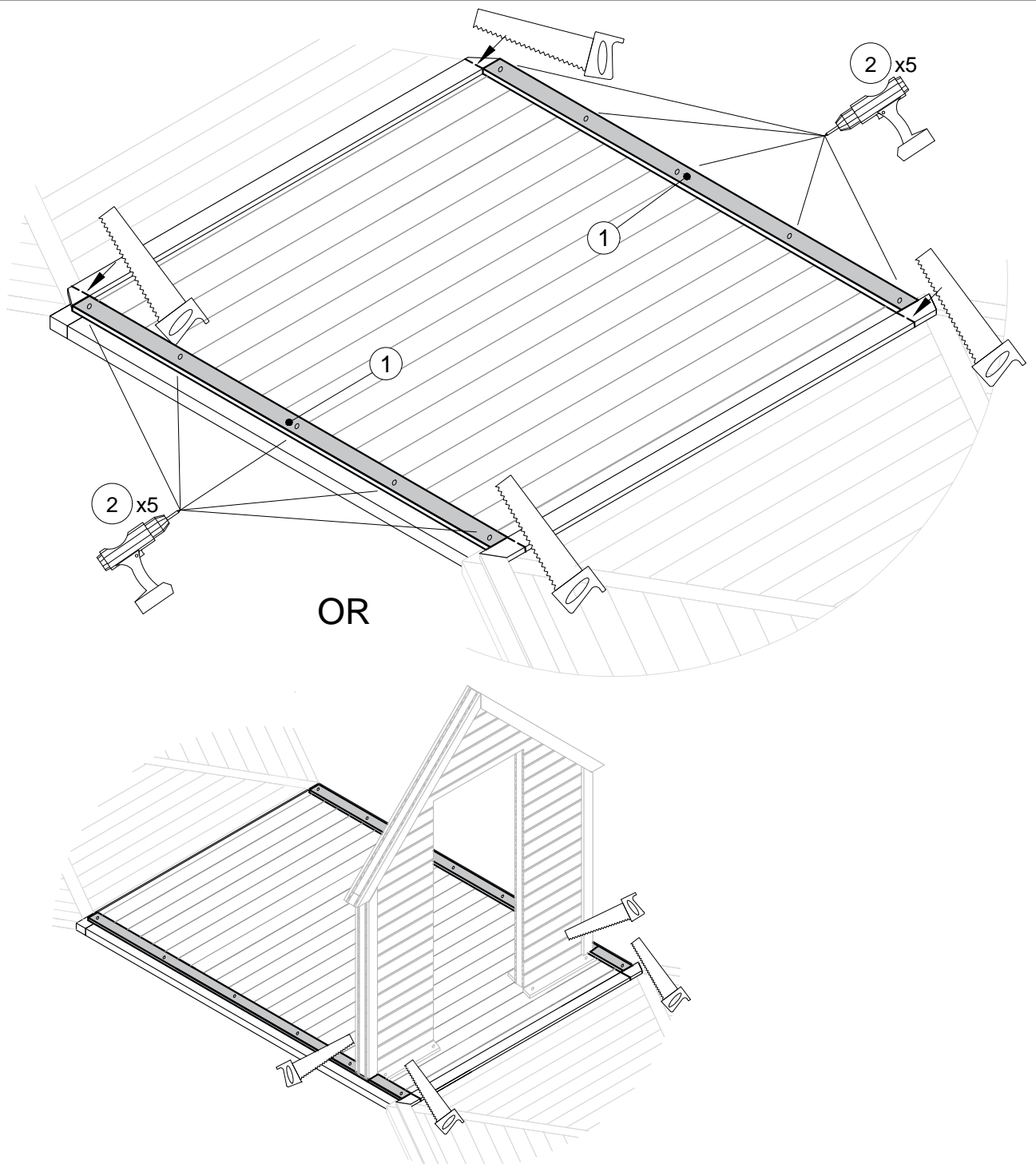
T-GC-5x80



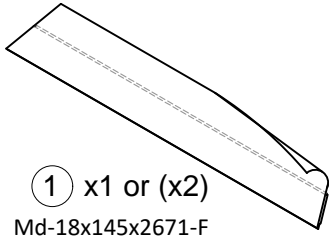
24. Corridor FLOOR FINISHING BOARD

① x2
M-18x70x3043

② x10
T-GC-3.5x45

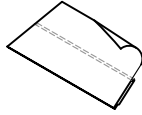


25. Corridor ROOF FINISHING

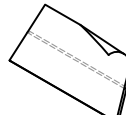


① x1 or (x2)
Md-18x145x2671-F

OR



② x2 or (x4)
Md-18x145x930-F(k)
or
Md-18x145x820-F(k)



③ x2 or (x4)
Md-18x145x930-F(d)
or
Md-18x145x820-F(d)

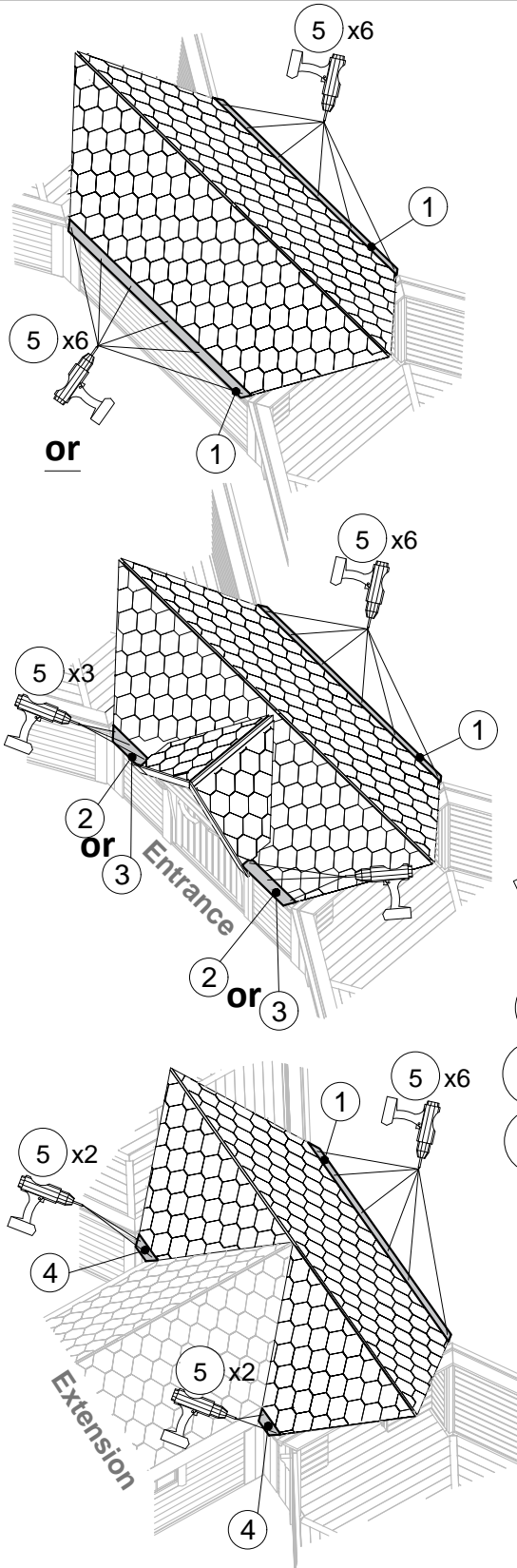
OR



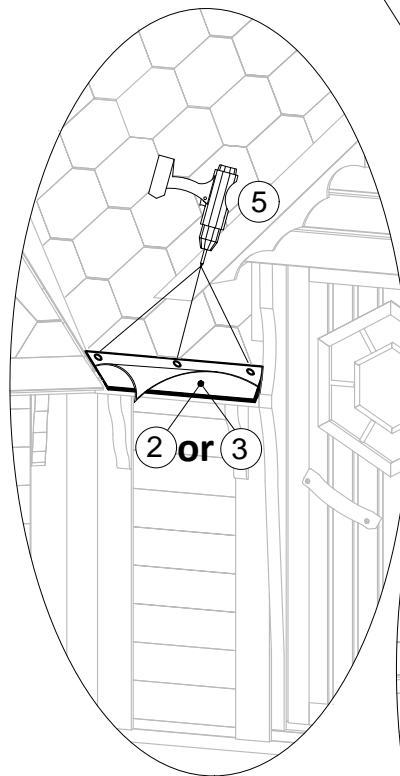
④ x2 or (x4)
Md-18x145x400-F



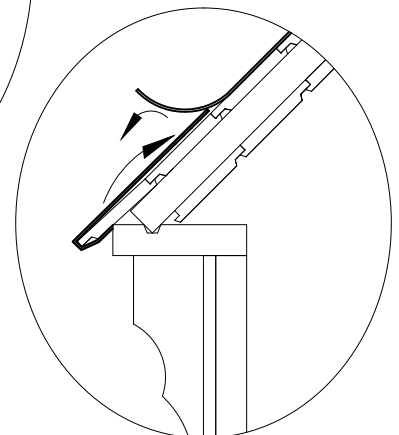
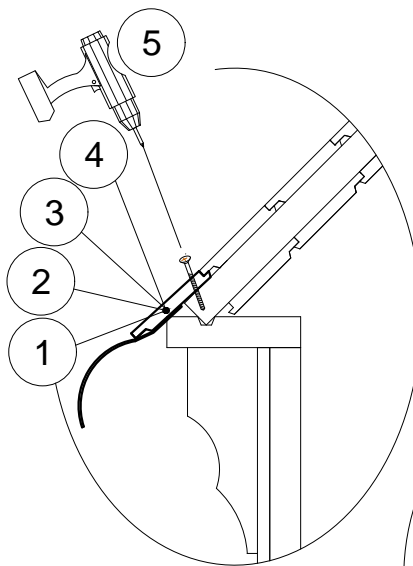
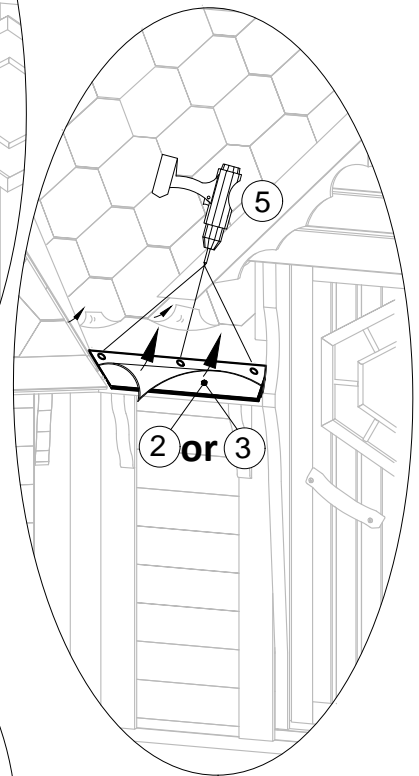
⑤ x12
T-BC-4x50



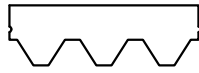
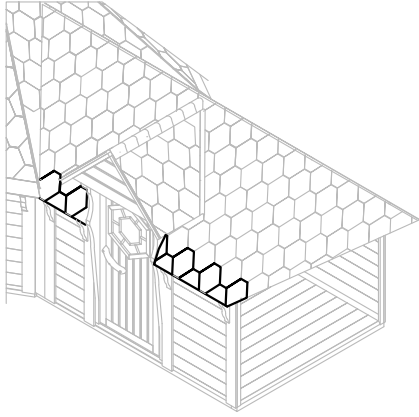
1 Step



2 Step

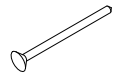


25.1 Corridor ROOF FINISHING



① x8

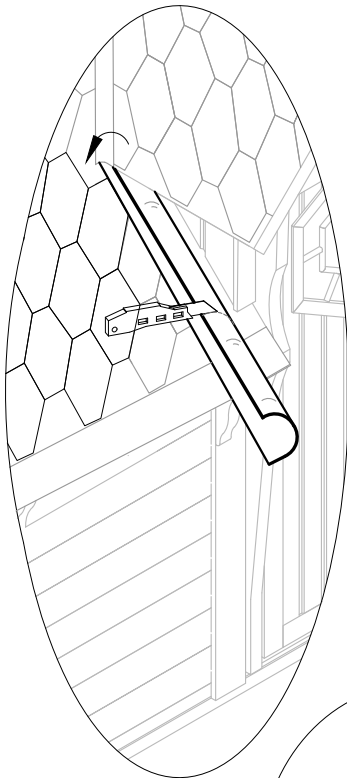
Bitumines-cerpes
-3x317x1000



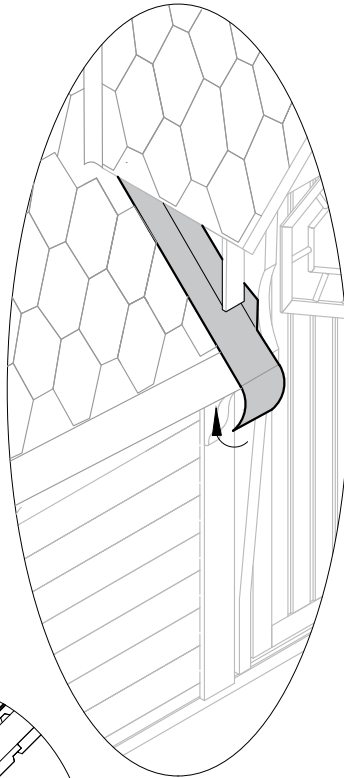
② x200

T-V-2x20

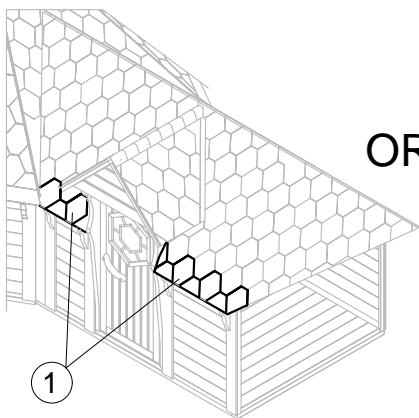
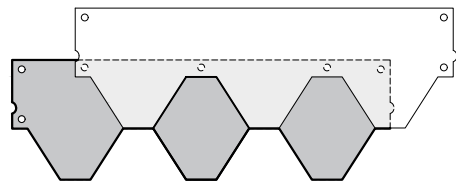
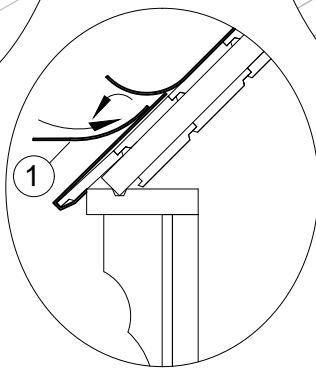
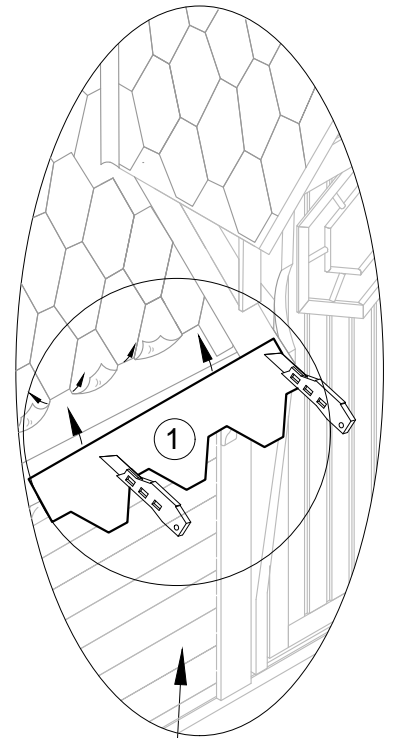
1 Step



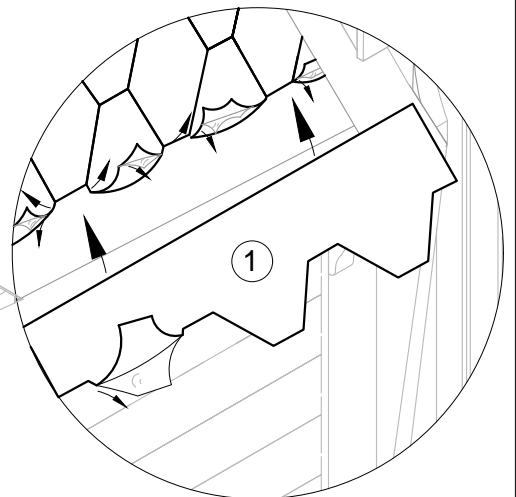
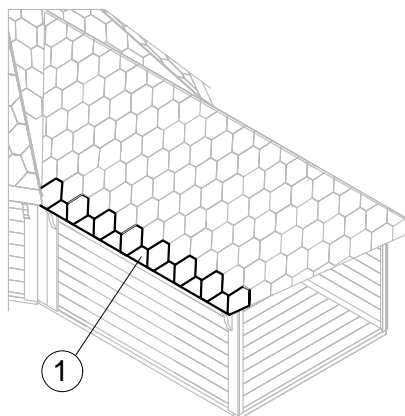
2 Step



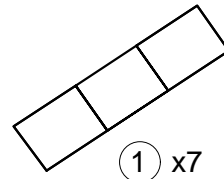
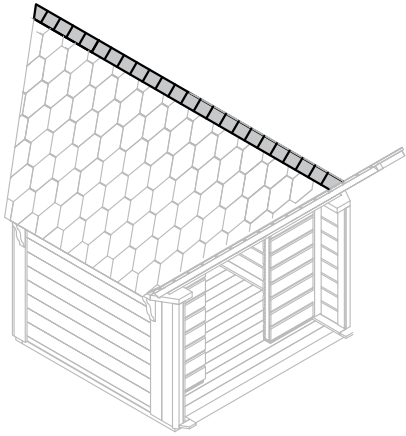
3 Step



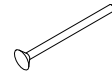
OR



25.2 Corridor ROOF FINISHING

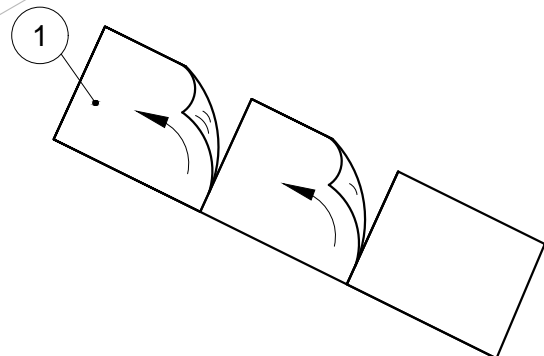
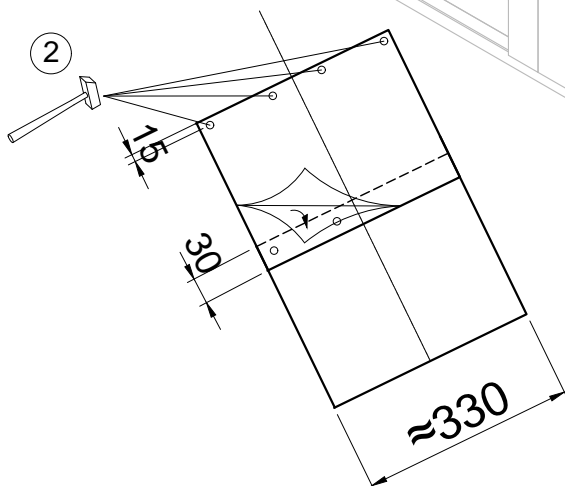
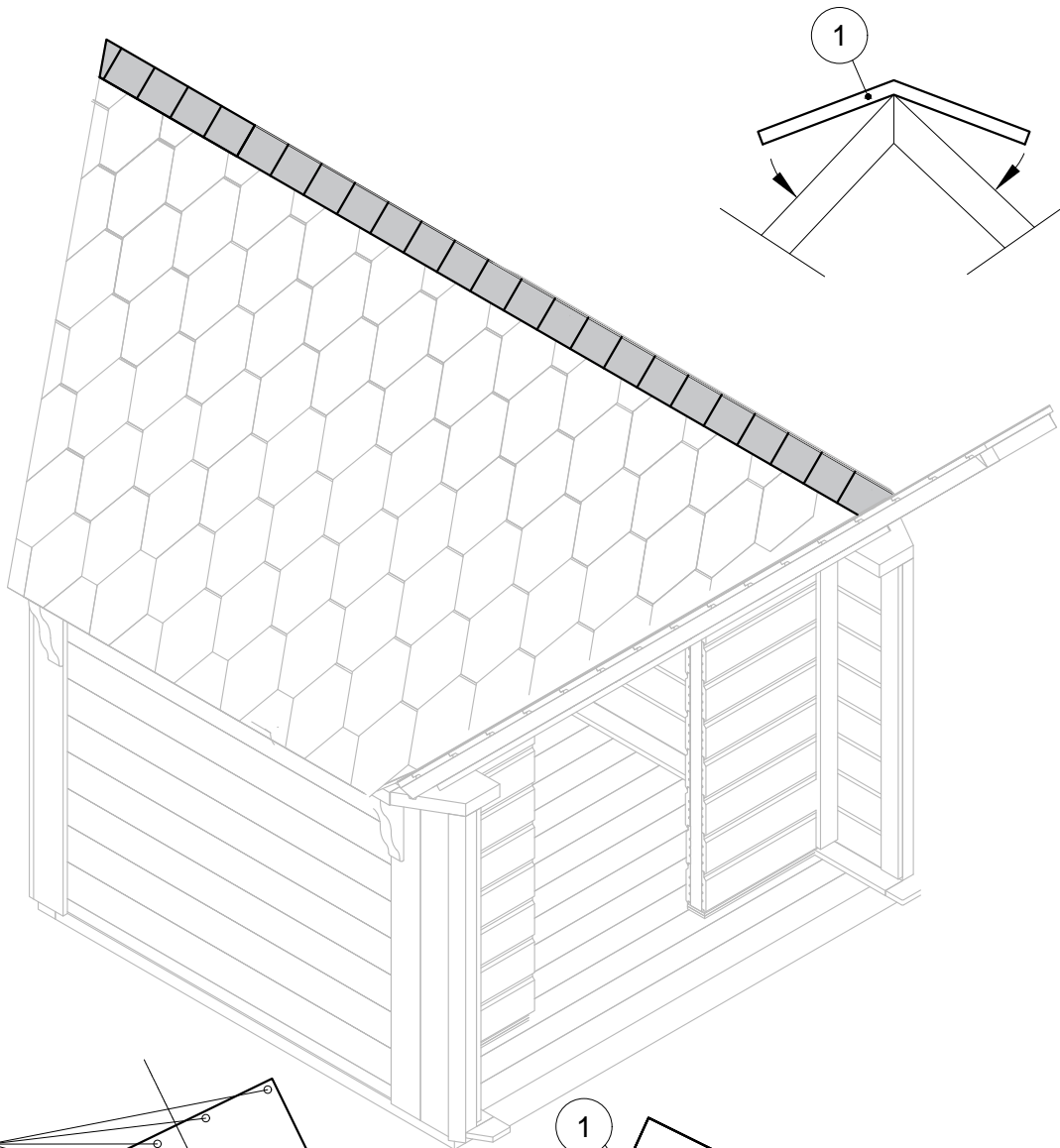


Bitumines-
cerpes-3x1000x250

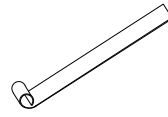
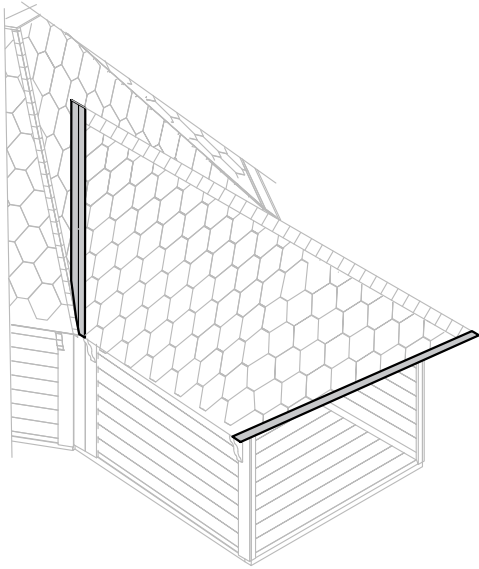


② x 170

T-V-2X20

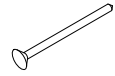


25.3 Corridor ROOF FINISHING



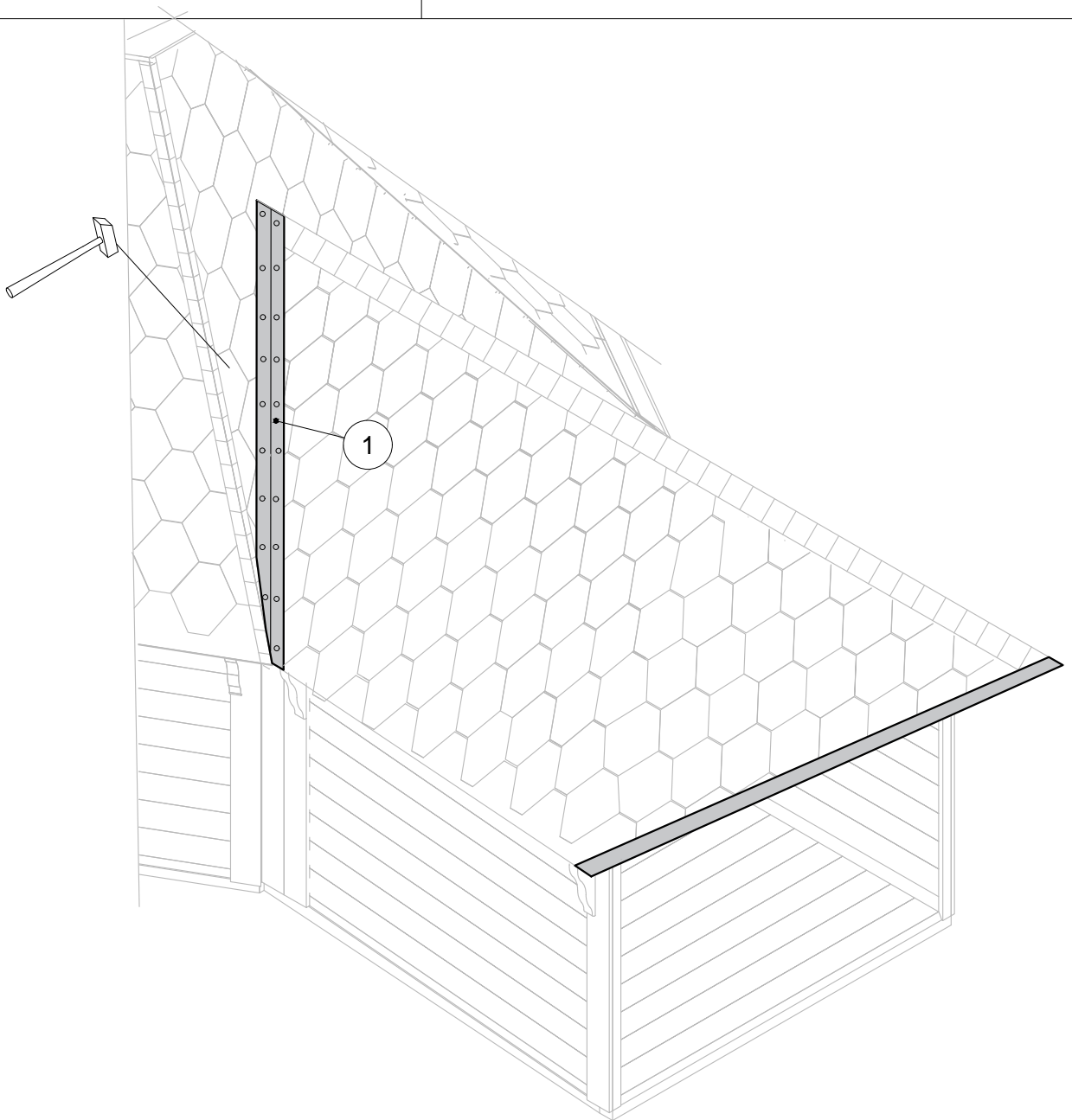
① x4

Bitumine-
juosta-3x200x2500

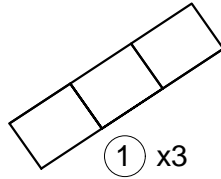
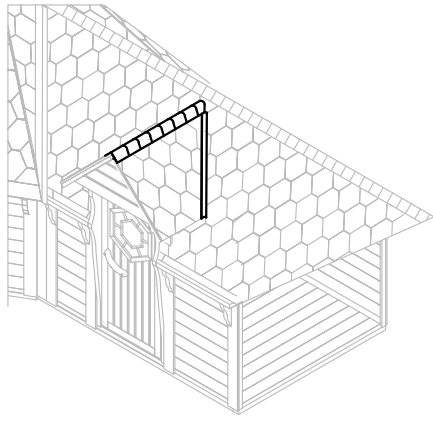


② x 100

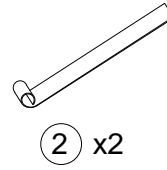
T-V-2X20



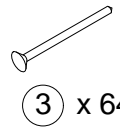
26. Corridor ENTRANCE ROOF FINISHING



Bitumines-
cerpes-3x1000x250

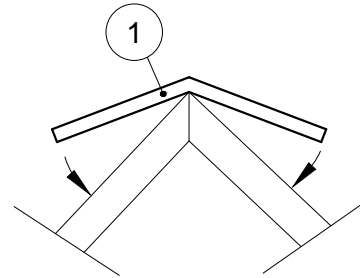
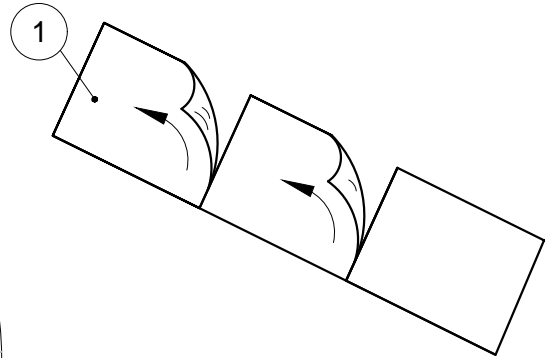
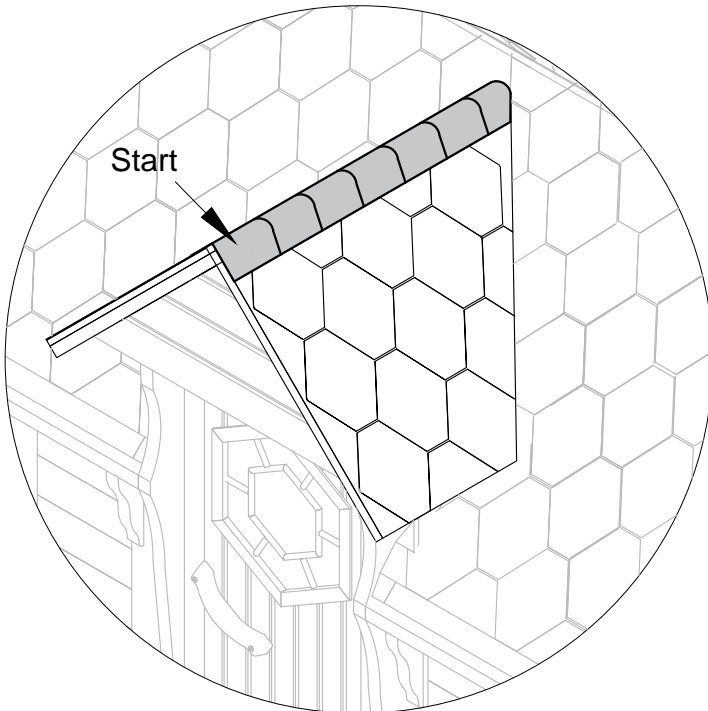


Bitumine-
juosta-3x70x1360
or
Bitumine-
juosta-3x70x1550

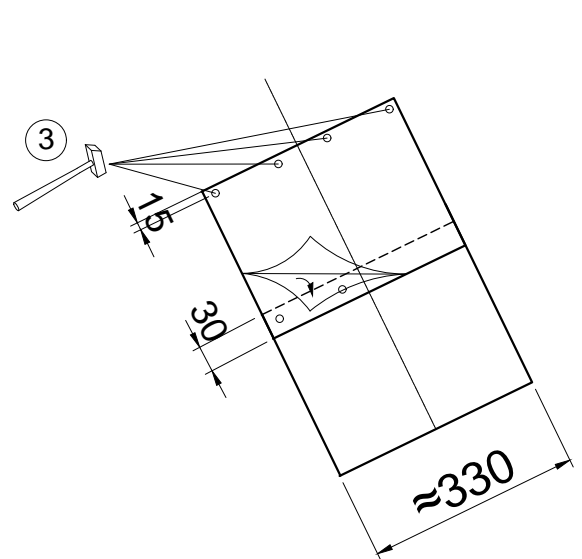
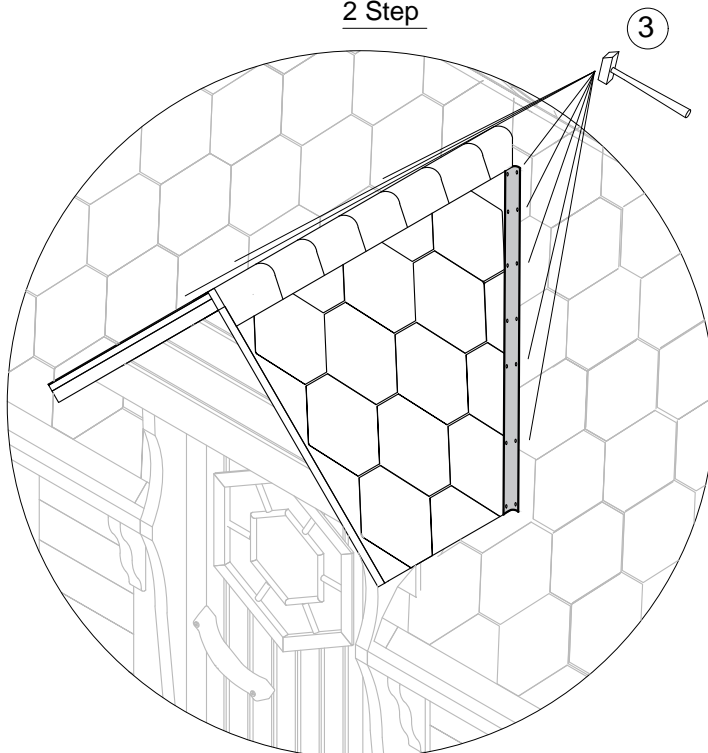


T-V-2X20

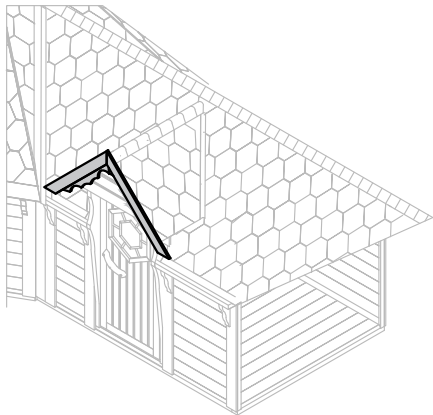
1 Step



2 Step

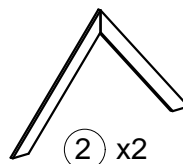


27. Corridor OUTSIDE FINISHING BOARD



① x2

M-18x95x820-CNC
or
M-18x95x981-CNC



② x2

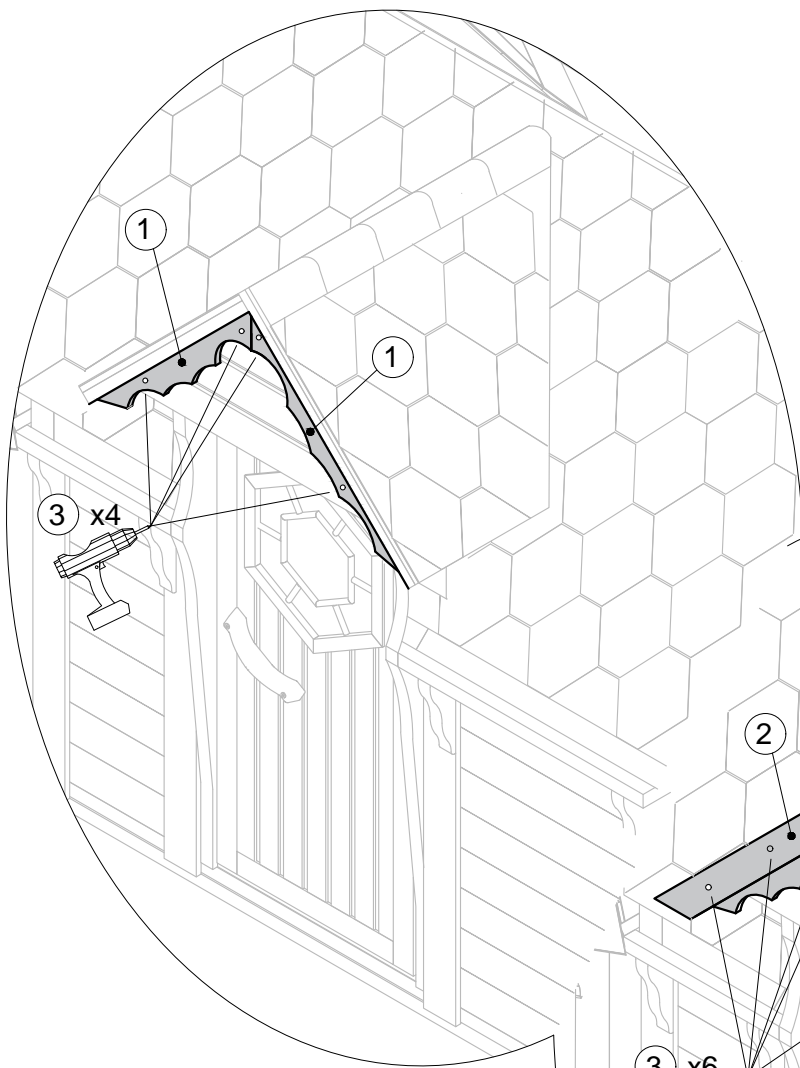
M-18x95x1050-F
or
M-18x95x1211-F



③ x10

T-GC-3.5x45

1 Step



2 Step

