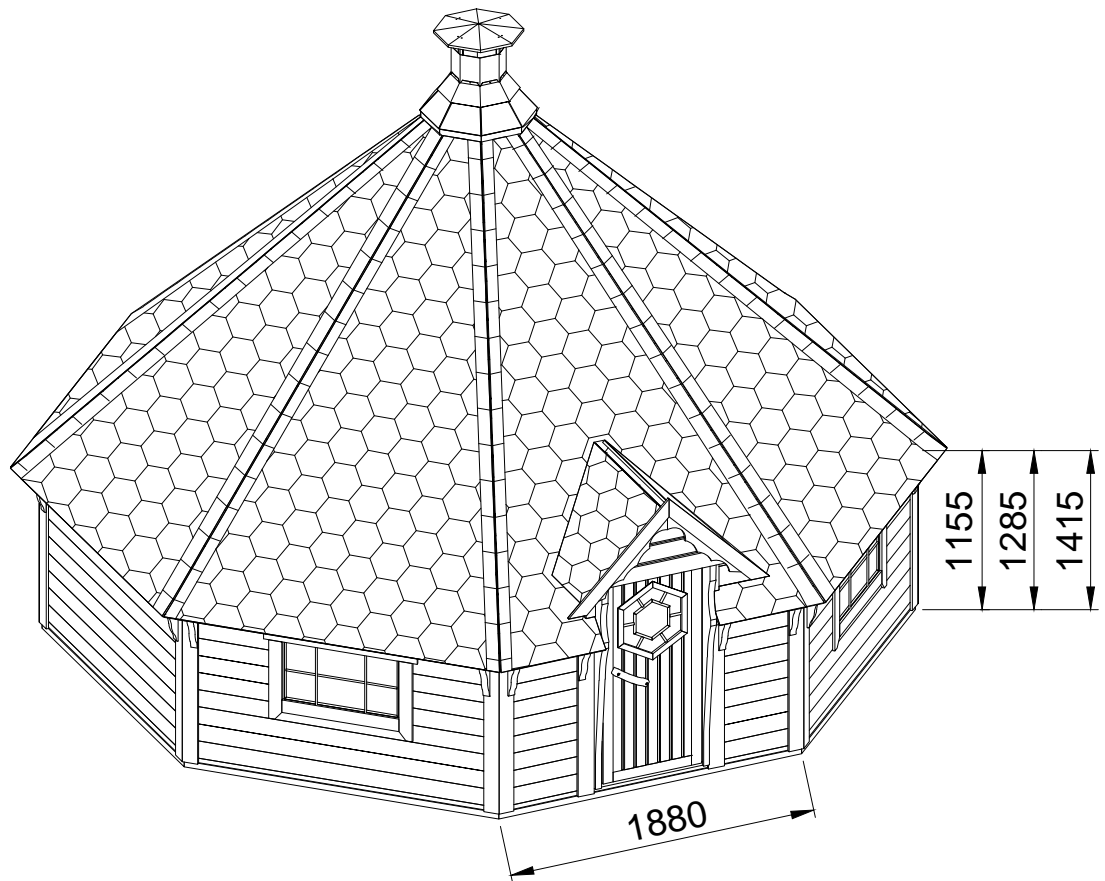
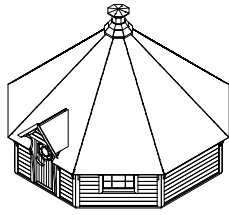


GRILL / CAMPING/ SAUNA CABIN 16.5

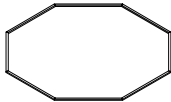


GRILL / CAMPING/ SAUNA CABIN 16.5

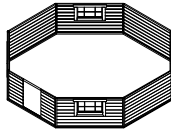
Grill/Camping cabin



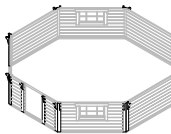
1. Step:
wood ring



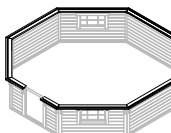
2. Step:
walls



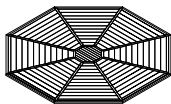
3. Step:
decoration (support)



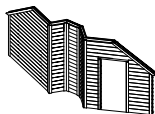
4. Step:
roof support ring



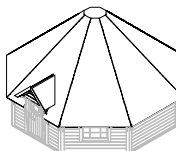
5. Step:
floors



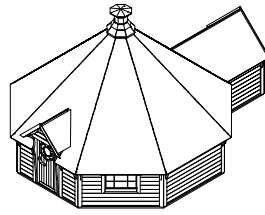
6. Step:
inside wall



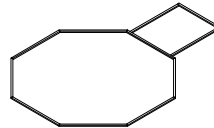
7. Step:
roof



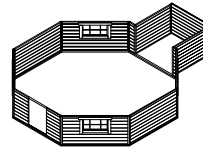
Grill+Extension



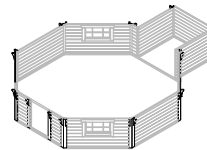
1. Step:
wood ring



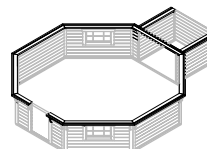
2. Step:
walls



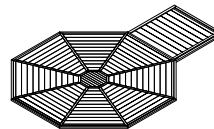
3. Step:
decoration (support)



4. Step:
roof support ring



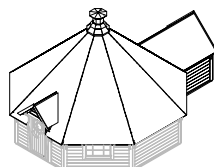
5. Step:
floors



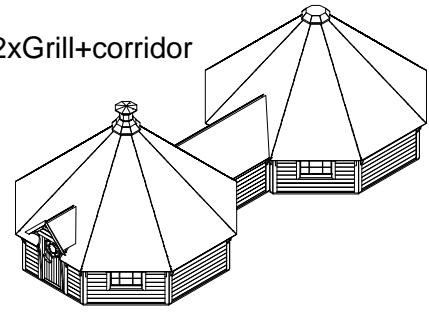
6. Step:
inside wall



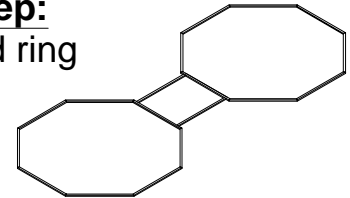
7. Step:
roof



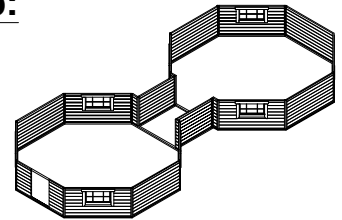
2xGrill+corridor



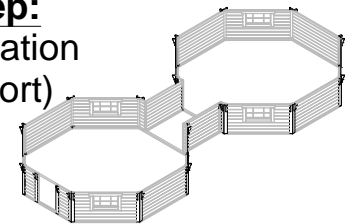
1. Step:
wood ring



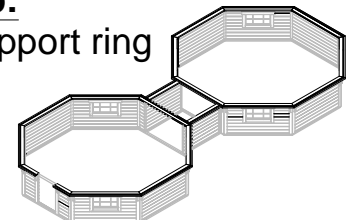
2. Step:
walls



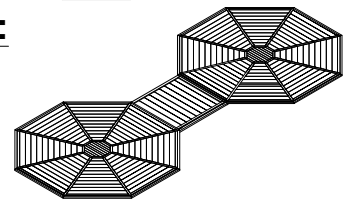
3. Step:
decoration
(support)



4. Step:
roof support ring



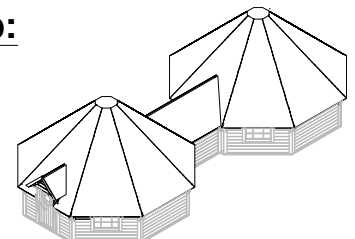
5. Step:
floors



6. Step:
inside wall



7. Step:
roof



Grill / Camping / Sauna cabin 16.5 Foundation

It is very important to have a proper foundation.

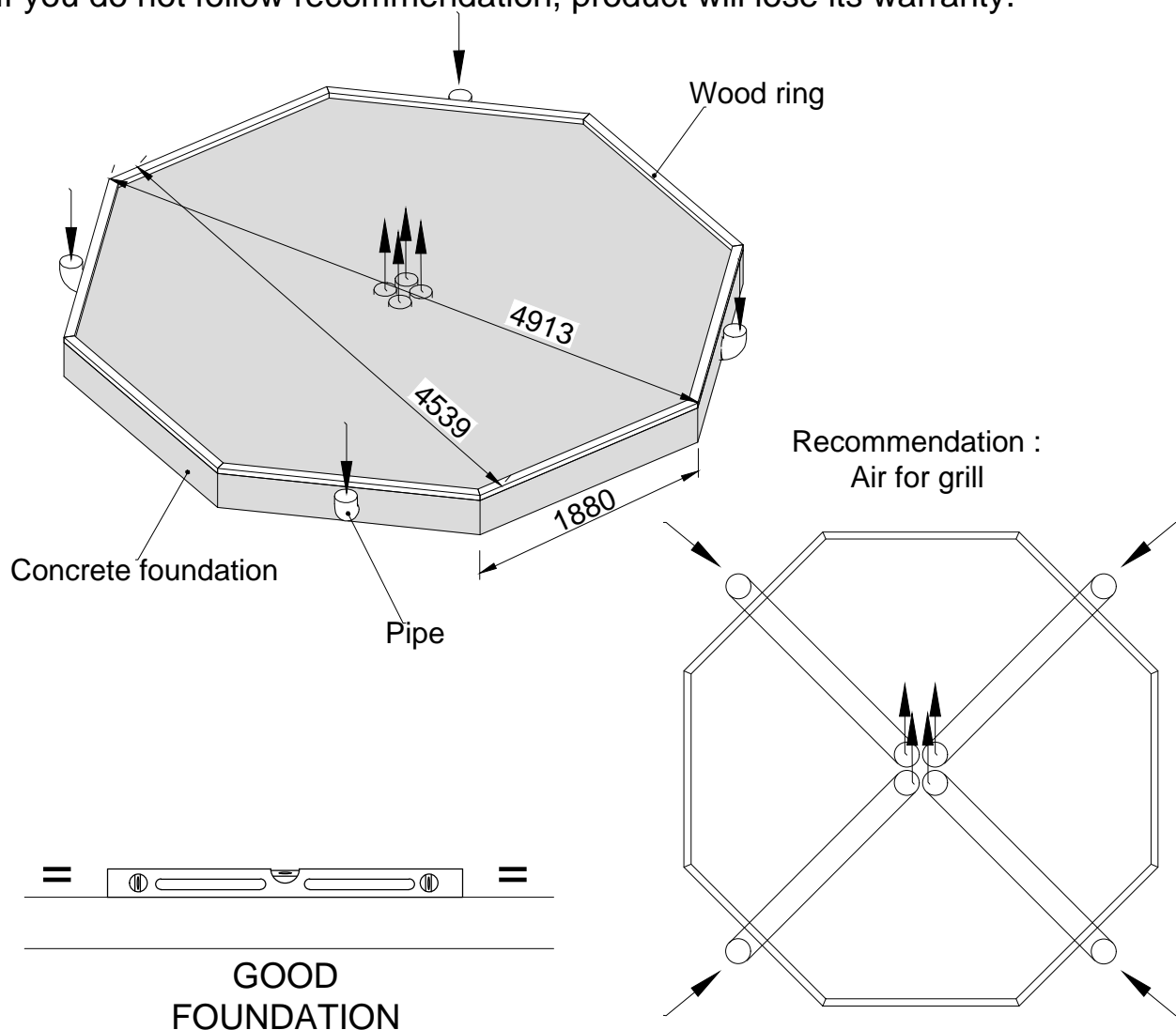
Therefore we recommend making the foundation according to the sketches here. First of all, foundation must be prepared according to the landscape and ground conditions.

The foundation under the product must be prepared specially, it must be homogeneous, tight and equal. It must be ensured that it will not change its properties. We recommend using concrete foundation. Before installation of product, we recommend to make hydro isolation of foundation.

Consult a local qualified builder or an engineer to prepare a proper foundation, which fits to your location.

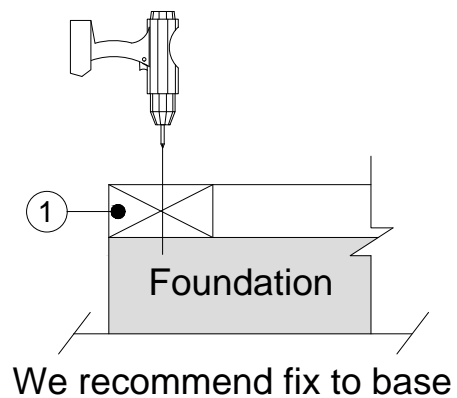
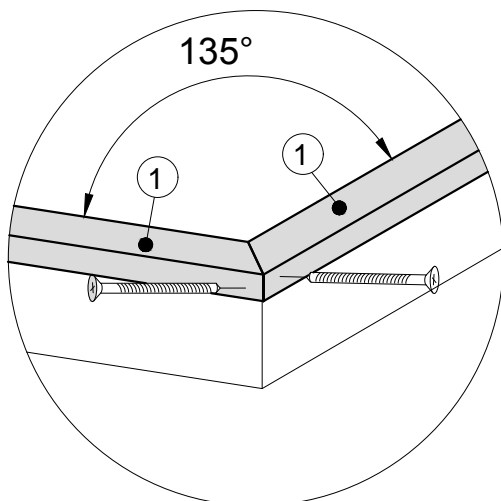
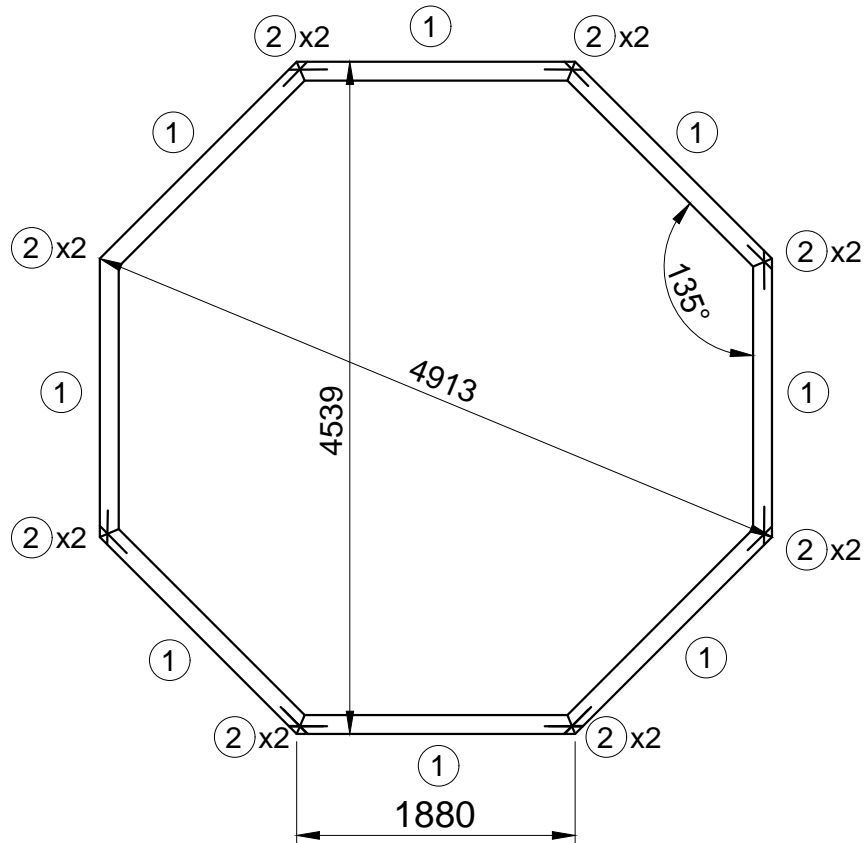
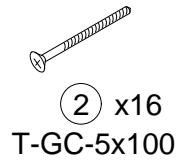
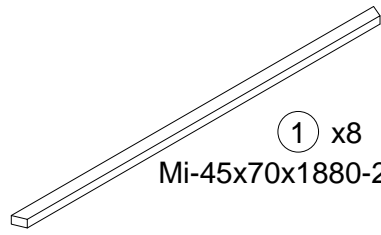
Due to improper foundation, cracks in the structures may occur. Due to uneven product seating, the geometric shape of the product may change, which can result in door / window twist, or/and gap may appear. And in the worst case product 's collapse.

If you do not follow recommendation, product will lose its warranty.



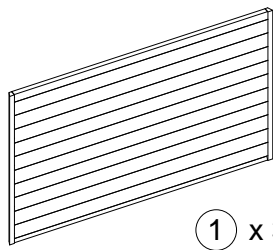
1. Grill / Camping / Sauna cabin 16.5

Wood ring-foundation



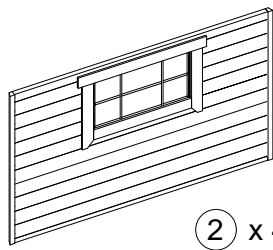
2. Grill / Camping / Sauna cabin 16.5

WALLS CONNECTION



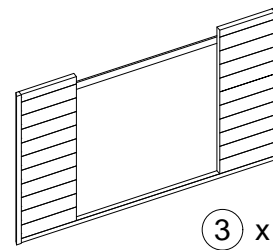
① x 3

GR16.5-S-1155x1880
or
GR16.5-S-1285x1880
or
GR16.5-S-1415x1880



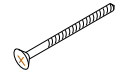
② x 4

GR16.5-SL-1155x1880
or
GR16.5-SL-1285x1880
or
GR16.5-SL-1415x1880



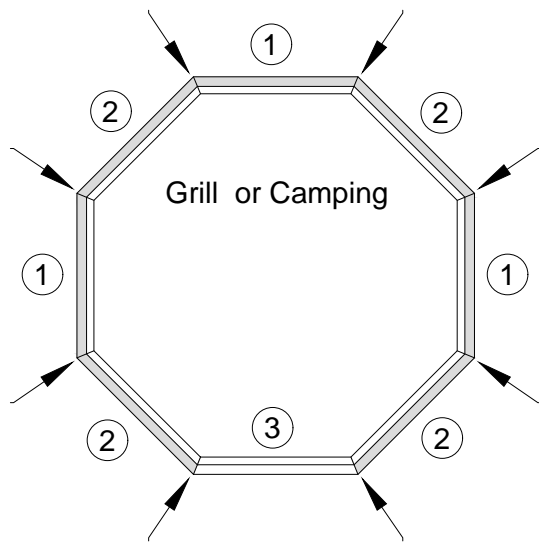
③ x 1

GR16.5-SD-1285x1880-A850 or (A1070)
or
GR16.5-SD-1415x1880-A850 or (A1070)

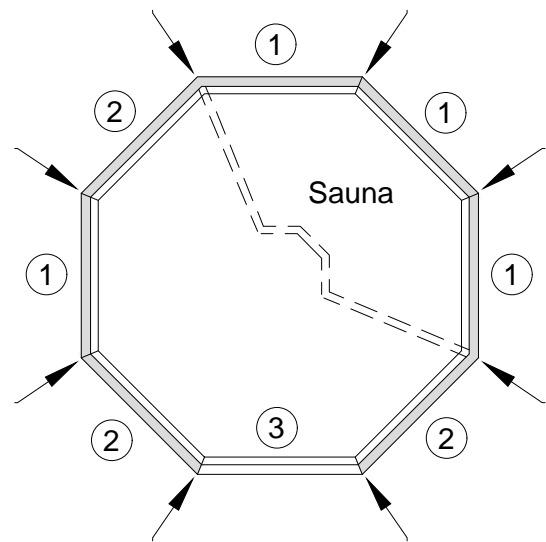


④ x64

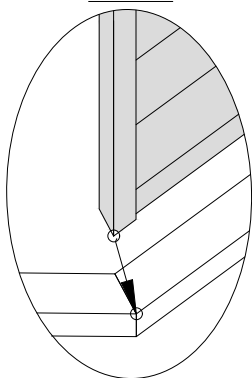
T-GC-5x100



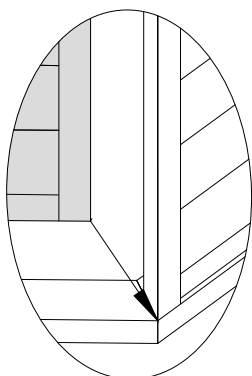
OR



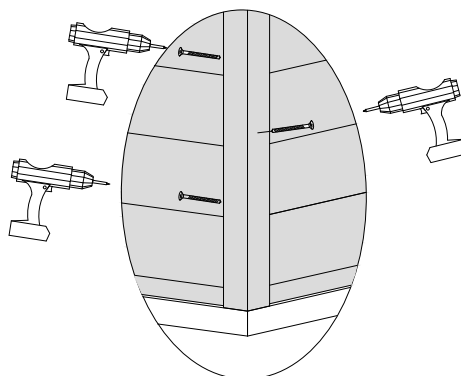
1 Step



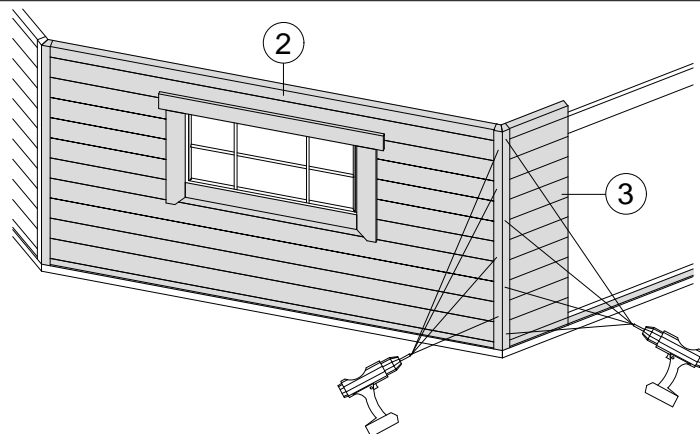
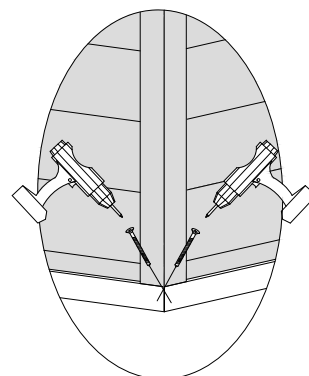
2 Step



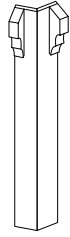
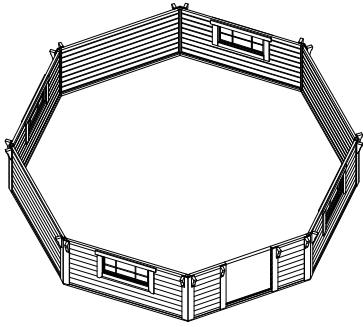
3 Step



4 Step



3. Grill / Camping / Sauna Cabin 16.5 DECORATION (SUPPORT) OUTSIDE



① x8

GR-8k-Apd-1155
or
GR-8k-Apd-1285
or
GR-8k-Apd-1415



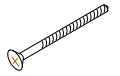
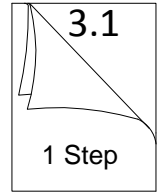
② x1

GR-Apd(k)-1155
or
GR-Apd(k)-1285
or
GR-Apd(k)-1415



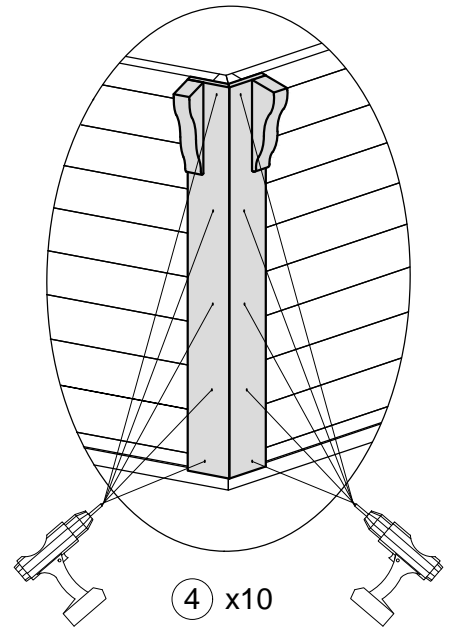
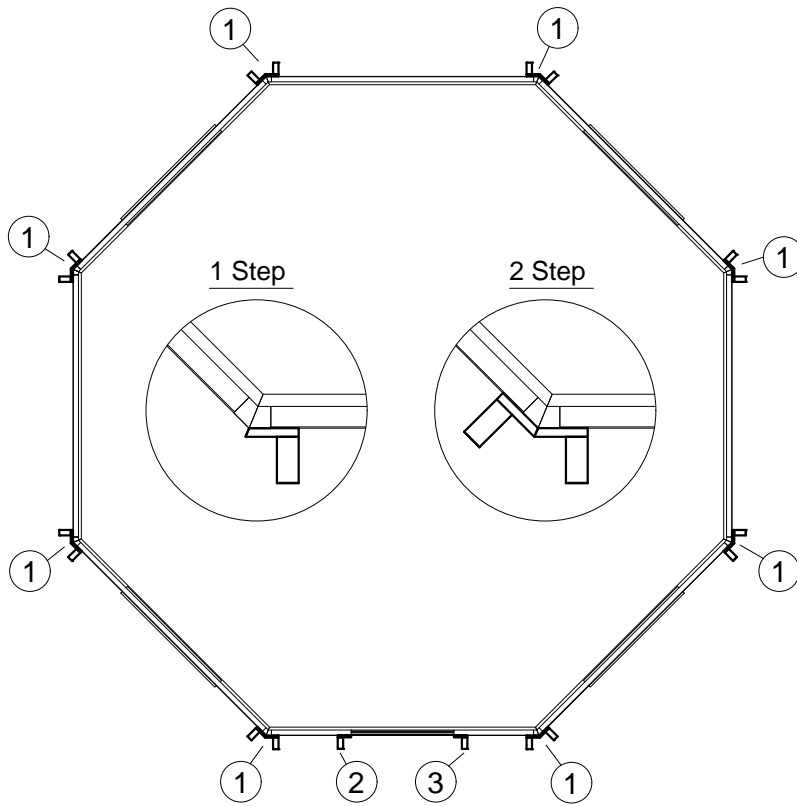
③ x1

GR-Apd(d)-1155
or
GR-Apd(d)-1285
or
GR-Apd(d)-1415

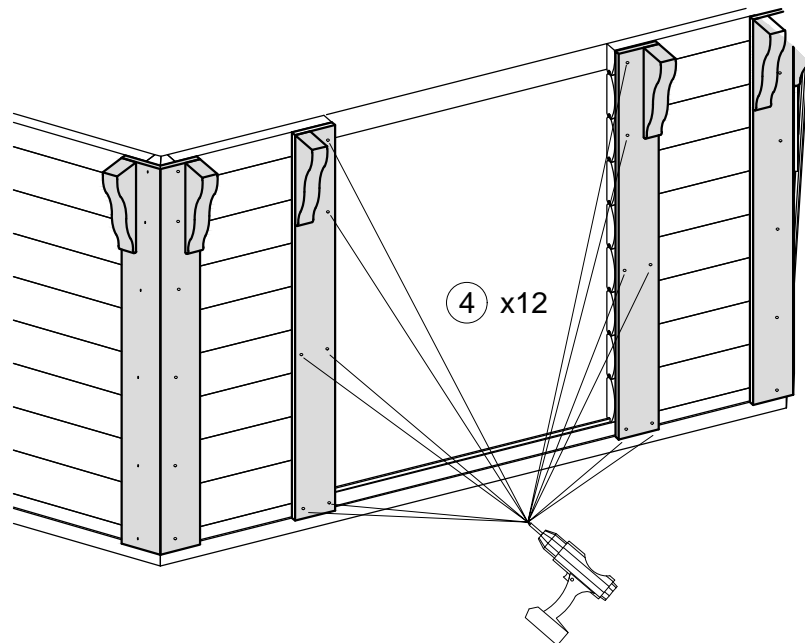


④ x92

T-BC-4x50

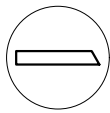


④ x10



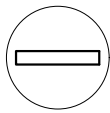
④ x12

3.1 Grill / Camping Cabin 16.5 DECORATION (SUPPORT) OUTSIDE



1 x16

M-18x95x1155-F
or
M-18x95x1285-F
or
M-18x95x1415-F



2 x2

M-18x95x1155
or
M-18x95x1285
or
M-18x95x1415



3 x18

M-45x95x270-CNC



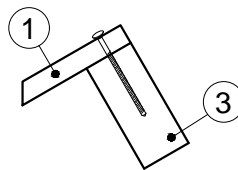
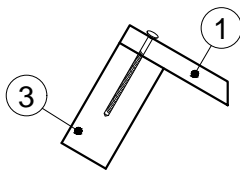
4 x18

T-BC-4x70

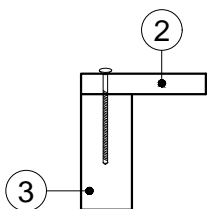
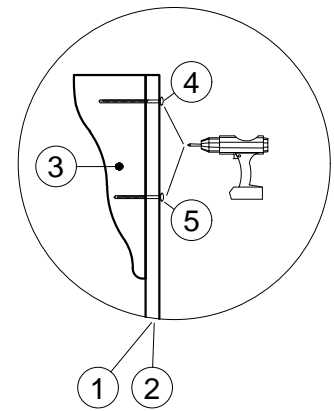


5 x18

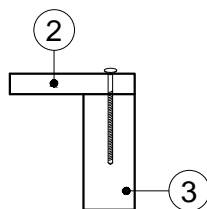
T-BC-4x50



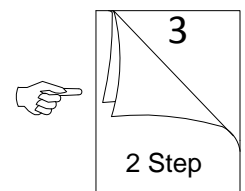
GR-8k-Apd-1155
or
GR-8k-Apd-1285
or
GR-8k-Apd-1415



GR-Apd(k)-1155
or
GR-Apd(k)-1285
or
GR-Apd(k)-1415

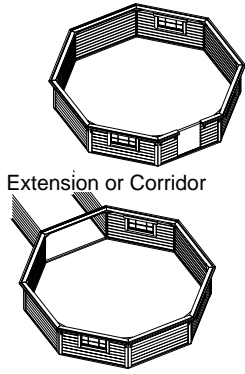


GR-Apd(d)-1155
or
GR-Apd(d)-1285
or
GR-Apd(d)-1415

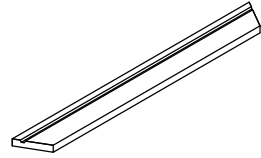


4. Grill / Camping / Sauna Cabin 16.5

ROOF SUPPORT RING



Extension or Corridor



1 x7 or 8

M-45x195x2004-F



2 x1

M-45x195x577-F(k)

or

M-45x195x467-F(k)



3 x1

M-45x195x577-F(d)

or

M-45x195x467-F(d)



4 x8

M-45x70x338-F



5 x73

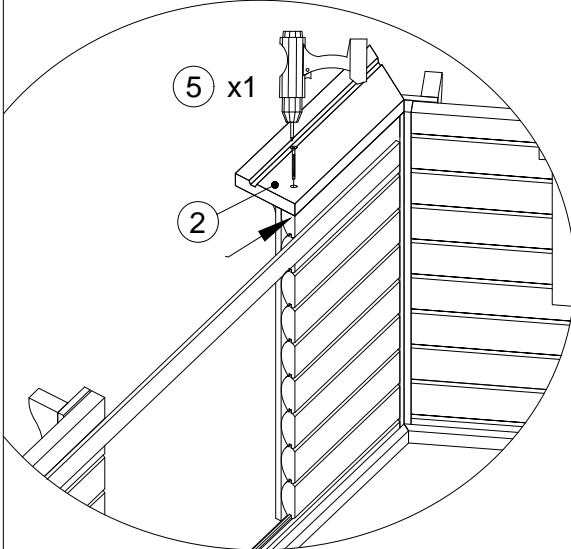
T-GC-5x100



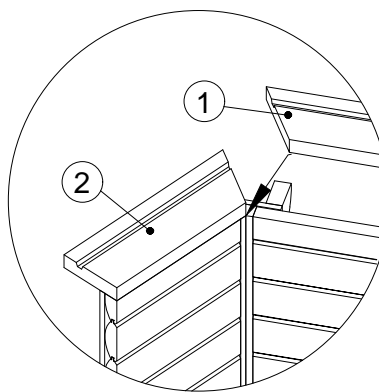
6 x16

T-GC-5x80

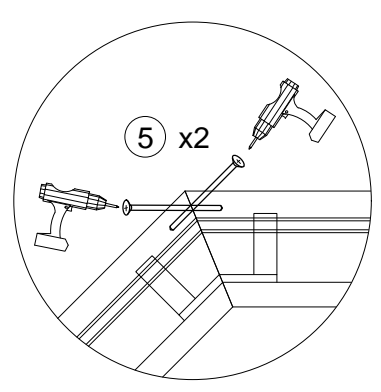
1 Step



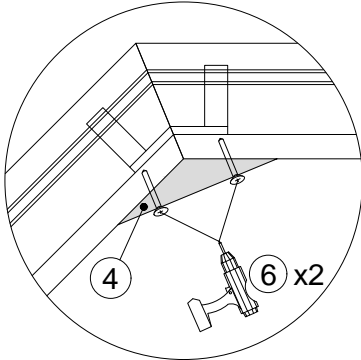
2 Step



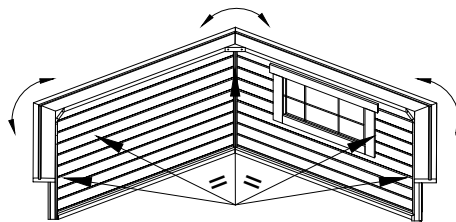
3 Step



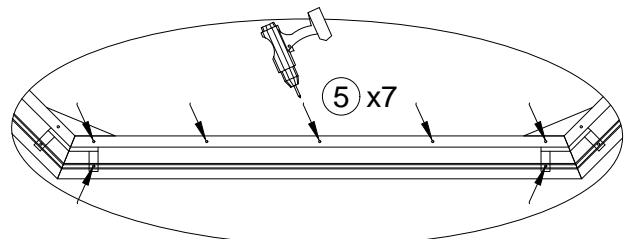
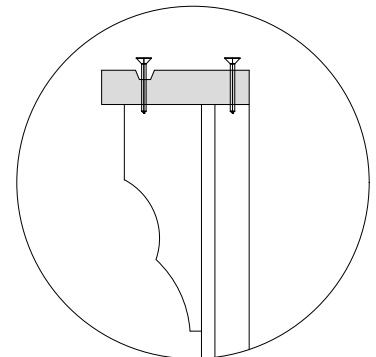
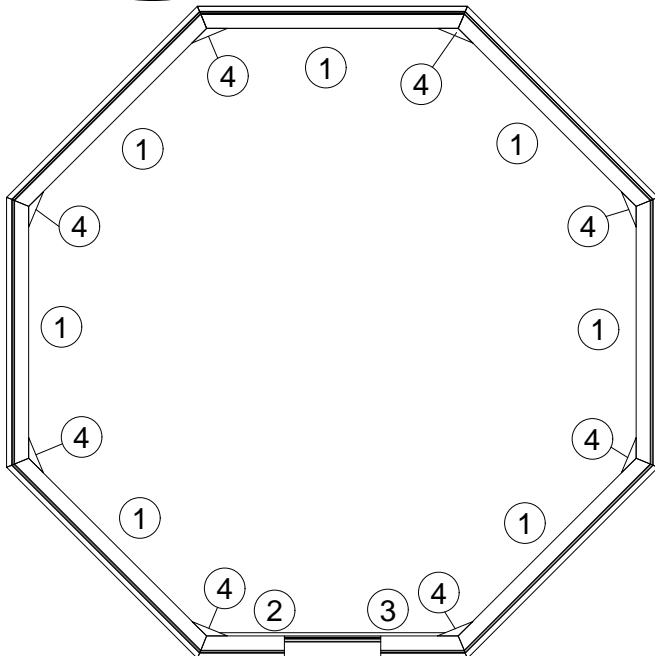
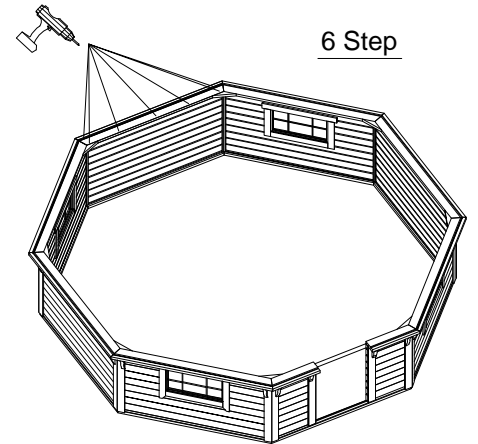
4 Step



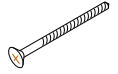
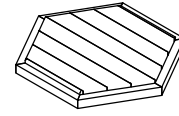
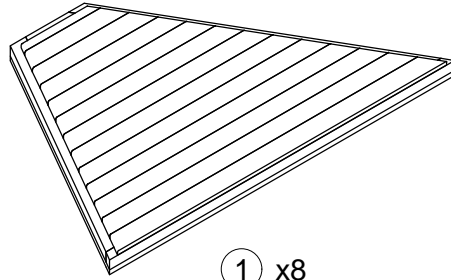
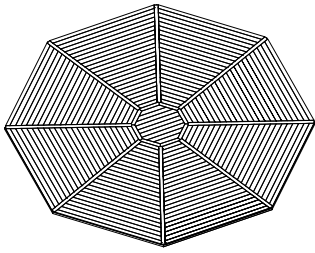
5 Step



6 Step



5. Grill / Camping / Sauna Cabin 16.5 FLOORS



① x8

GR16.5-Grind-1731x1818

or

GR16.5-I-Grind-1731x1818

or

GR16.5-Spunt-1731x1818

or

GR16.5-I-Spunt-1731x1818

② x1

GR-8k-Grind-927x1003

or

GR-8k-I-Grind-927x1003

or

GR-8k-Spunt-927x1003

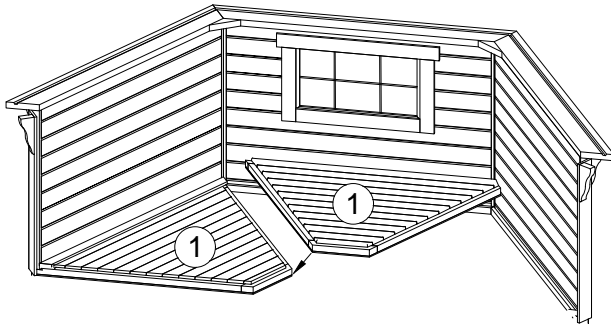
or

GR-8k-I-Spunt-927x1003

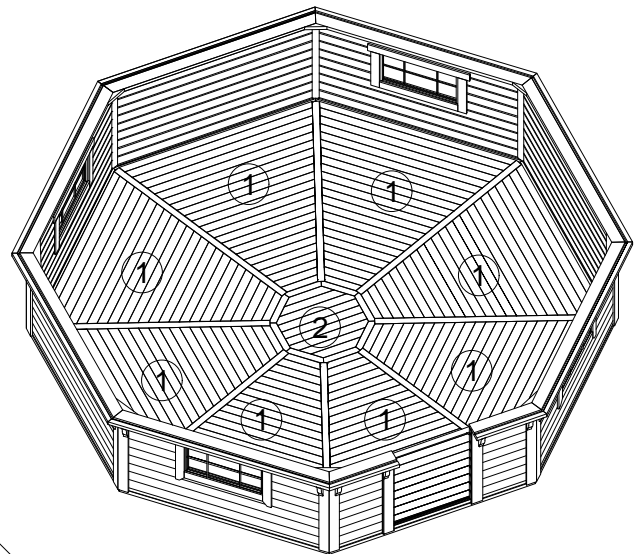
③ x56

T-GC-3.5x45

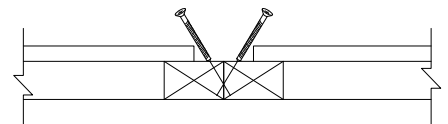
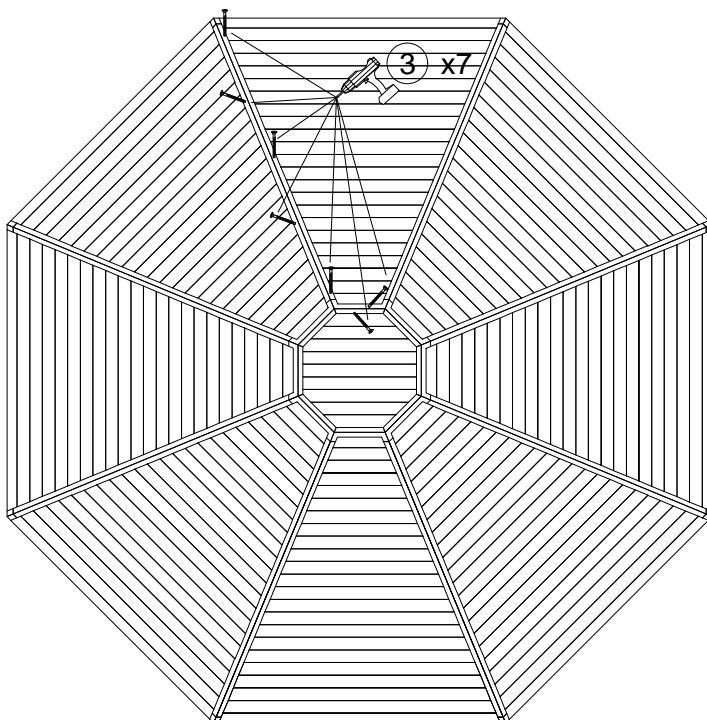
1 Step



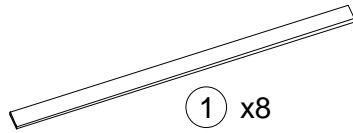
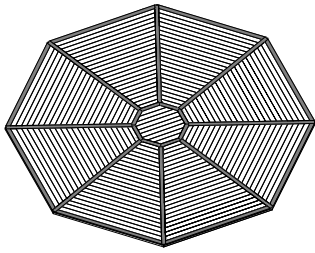
2 Step



3 Step



6. Grill / Camping / Sauna Cabin 16.5 FLOORS FINISHING BOARDS



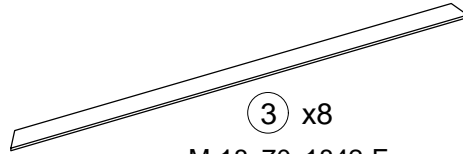
① x8

M-18x70x1834
or
Spunt-28x70x1834



② x8

M-18x70x412-F
or
Spunt-28x70x412-F



③ x8

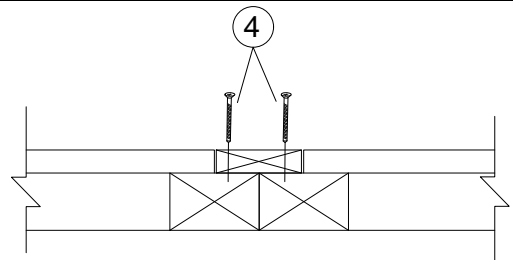
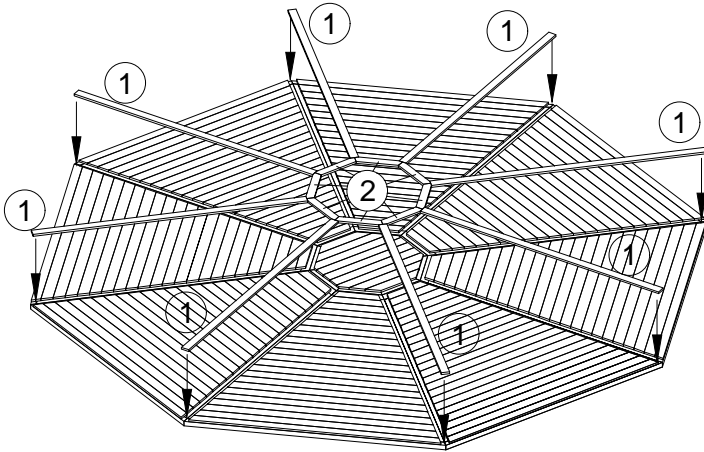
M-18x70x1842-F



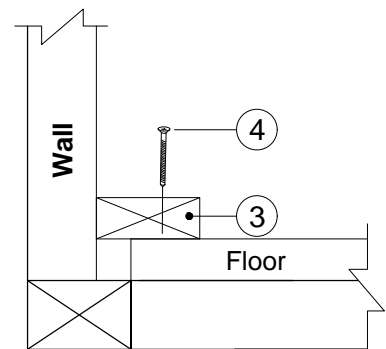
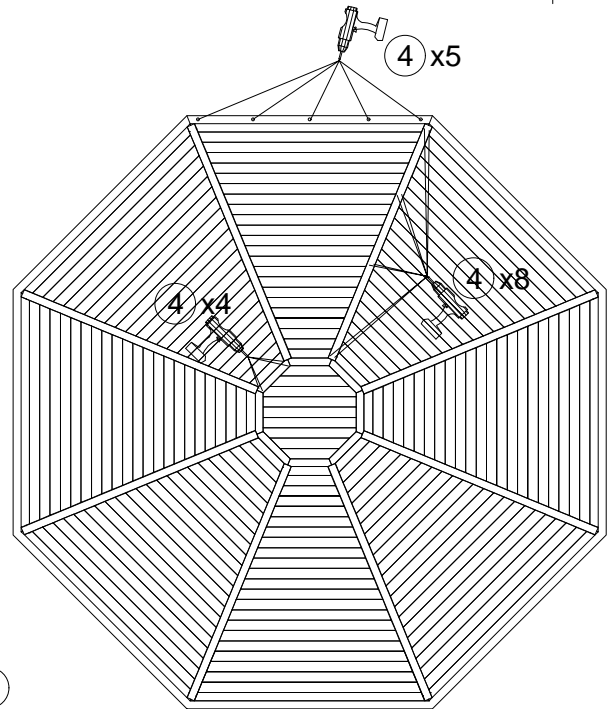
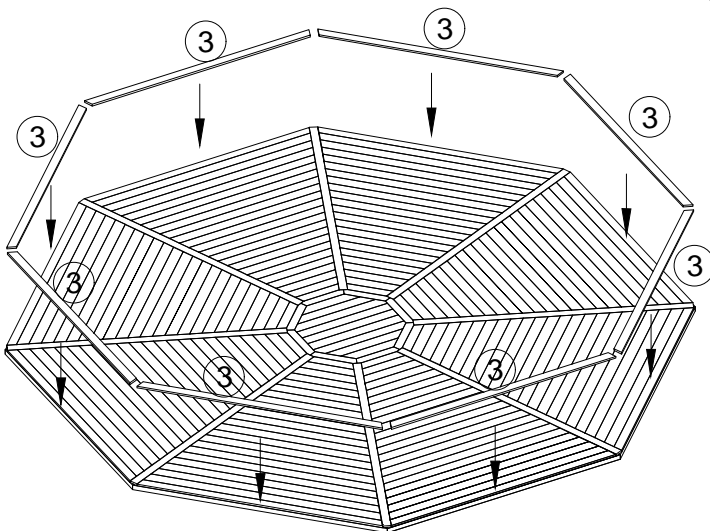
④ x136

T-GC-3.5x45

1 Step

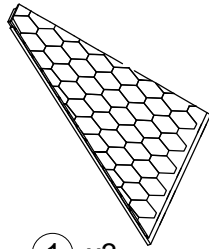


2 Step



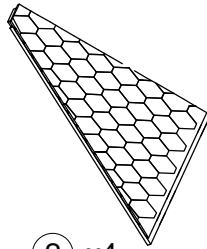
7. Sauna Cabin 16.5 with changing room

ROOF



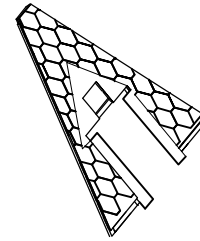
① x3

GR16.5-I-Stog-1983x3000



② x4

GR16.5-Stog-1983x3000

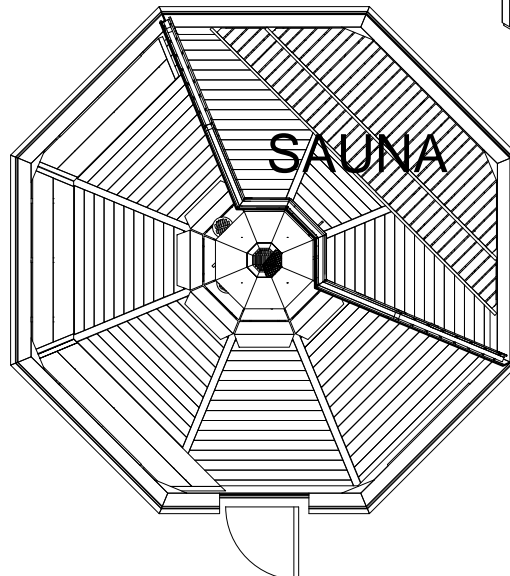
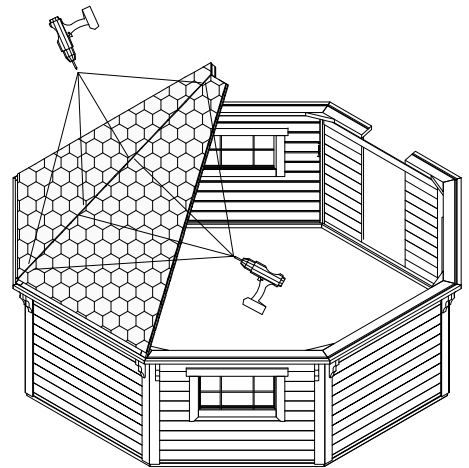
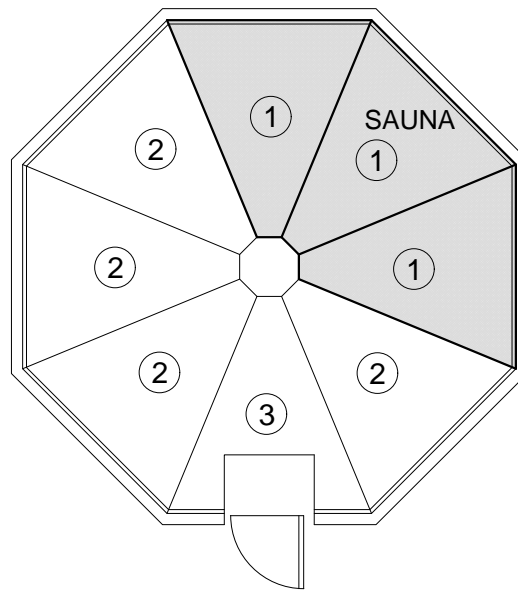
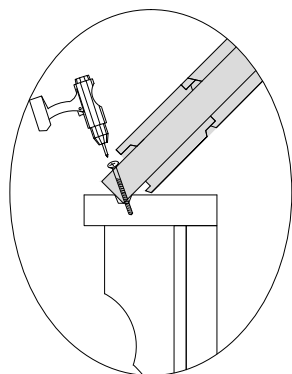
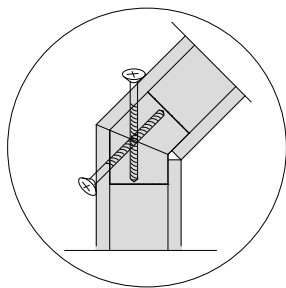
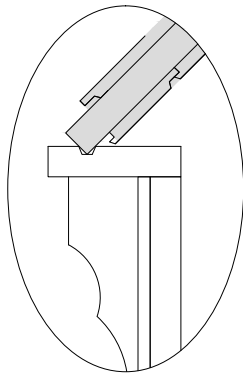


③ x1

GR16.5-StogD-1983x3000-A850 or A1070

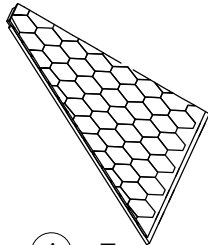
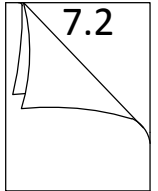
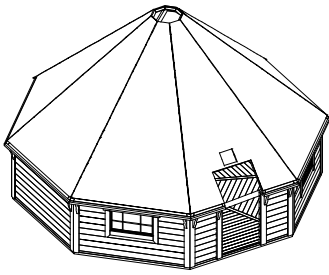


⑤ x104
T-GC-5x80



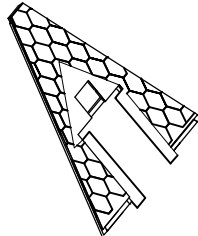
7.1 Grill / Camping / Sauna Cabin 16.5

ROOF



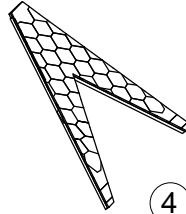
① x7

GR16.5-Stog-1983x3000
or
GR16.5-I-Stog-1983x3000



② x1

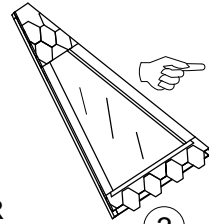
GR16.5-StogD-1983x3000-A850 or A1070
or
GR16.5-I-StogD-1983x3000-A850 or 1070



④

GR16.5-StogEX-1983x3000
or
GR16.5-I-StogEX-1983x3000

OR



③

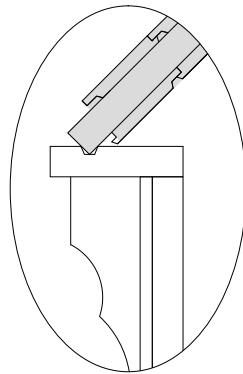
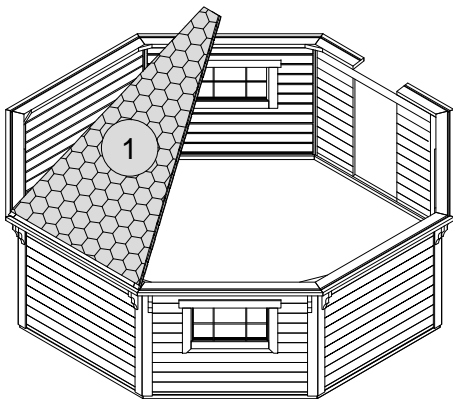
GR16.5-StogL-1983x3000
or
GR16.5-I-StogL-1983x3000



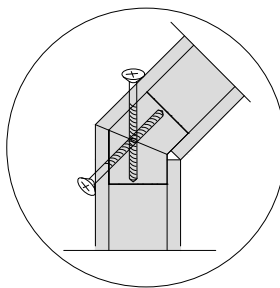
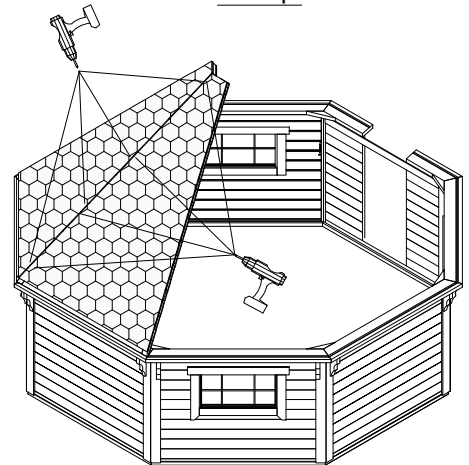
⑤ x104

T-GC-5x80

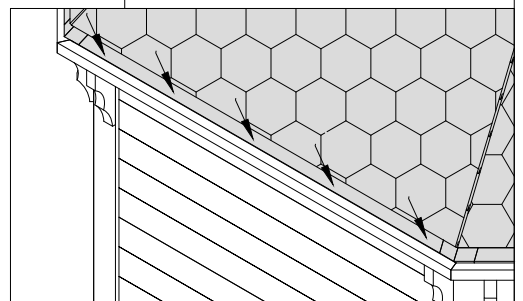
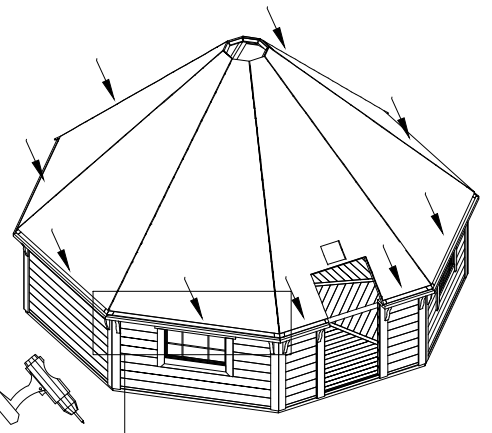
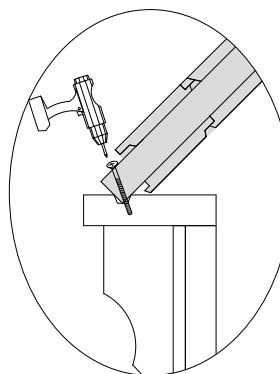
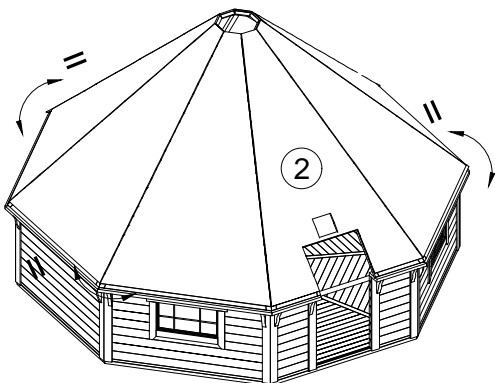
1 Step



2 Step

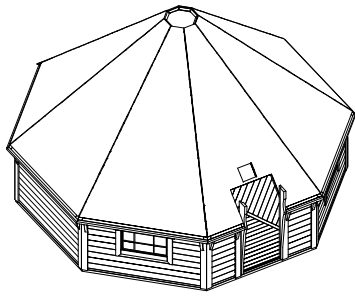


3 Step



8. Grill / Camping / Sauna Cabin 16.5

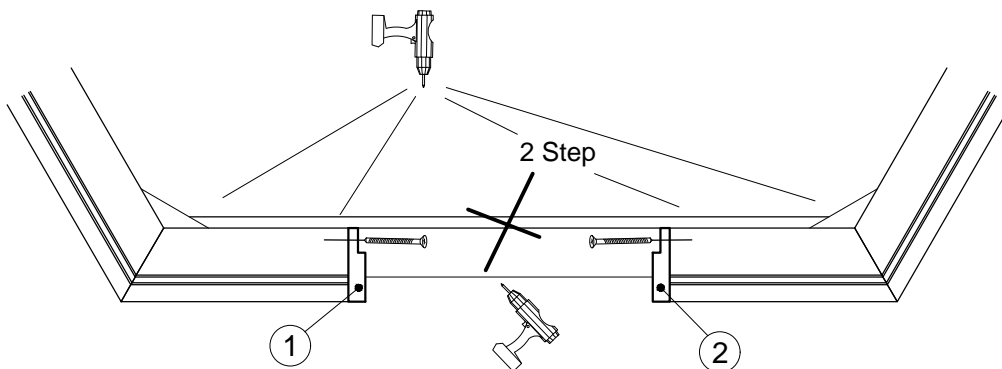
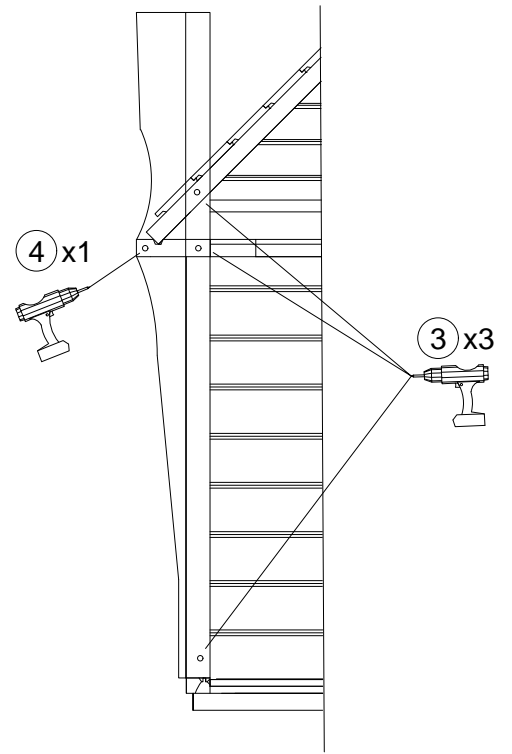
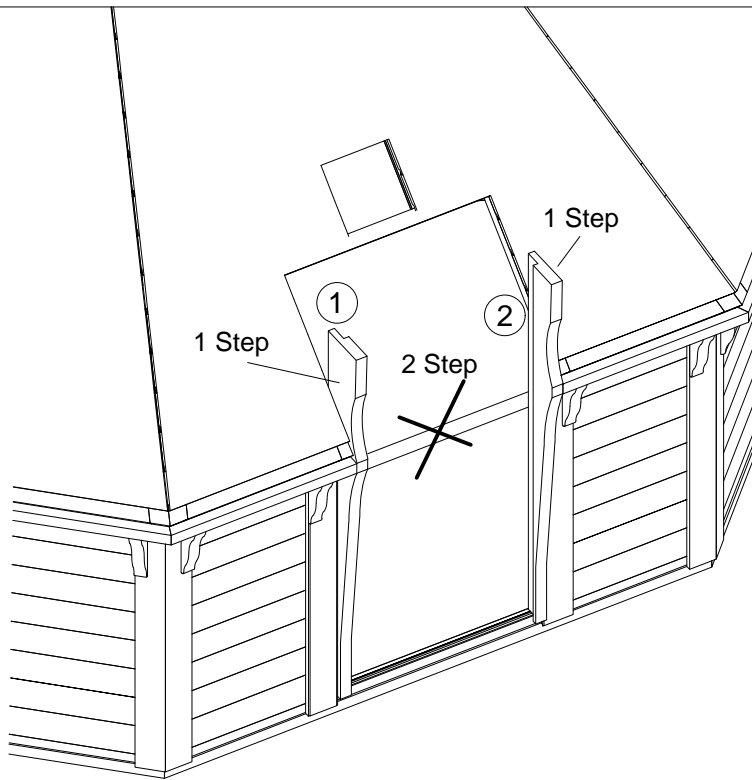
ENTRANCE SUPPORT



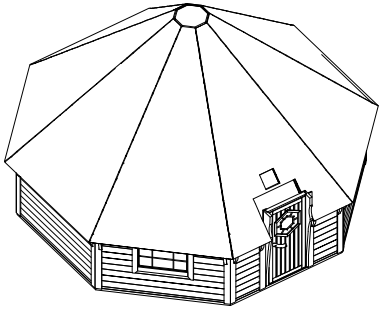
M-45x195x1630-CNC(k)
or
M-45x195x1760-CNC(k)
or
M-45x195x1890-CNC(k)



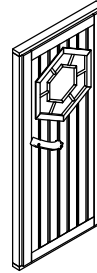
M-45x195x1630-CNC(k)
or
M-45x195x1760-CNC(d)
or
M-45x195x1890-CNC(d)



9. Grill / Camping / Sauna Cabin 16.5 OUTSIDE DOOR



① x1
PUS00013 (782x1630)
or
PUS00060 (782x1760)
or
PUS00317 (782x1890)

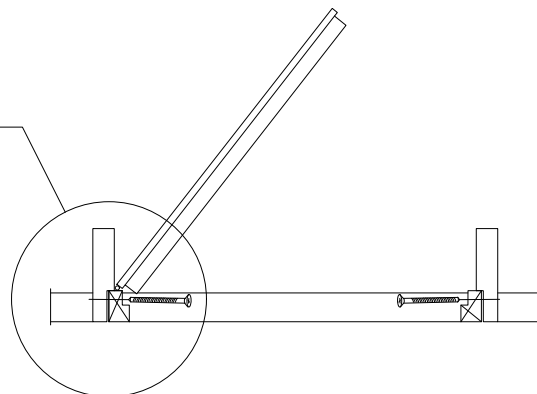
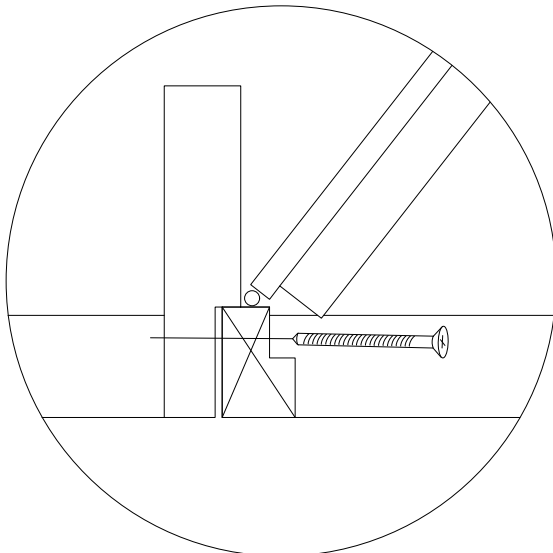
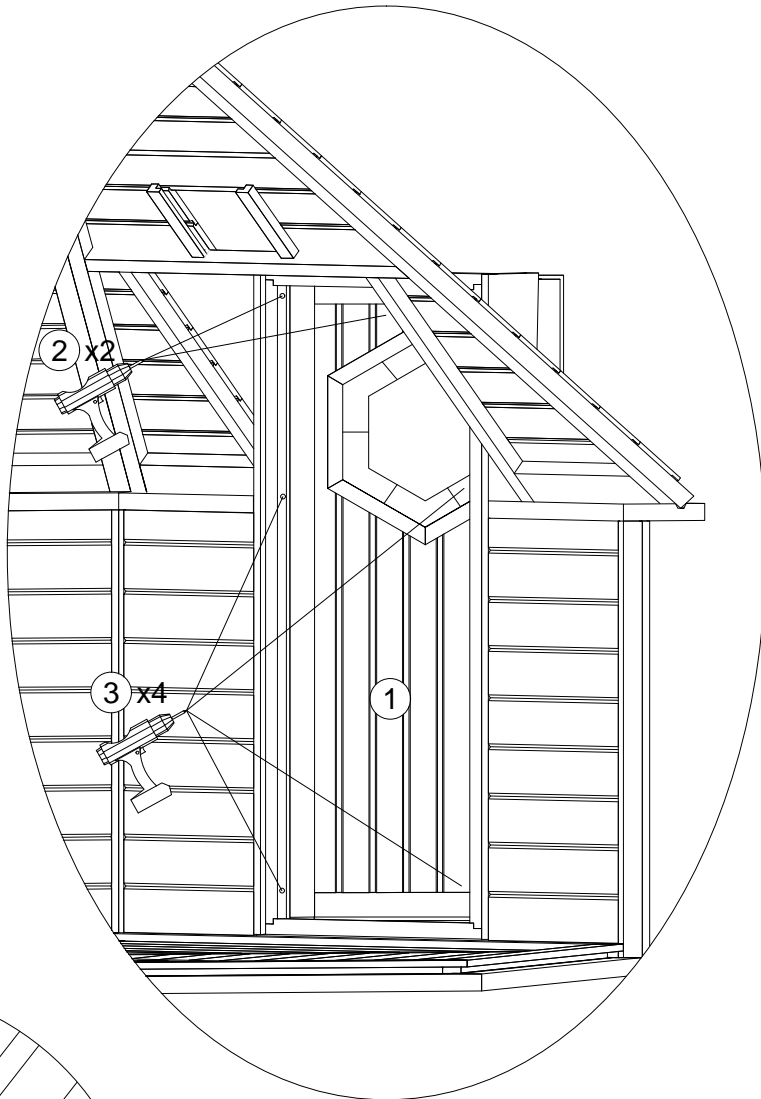


② x2
T-BC-4x50



③ x4
T-GC-5x100

PUS00321 (1000x1630)
or
PUS00322 (1000x1760)



9.1 Grill / Camping / Sauna Cabin 16.5

INSIDE FINISHING BOARD

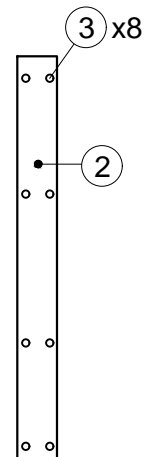
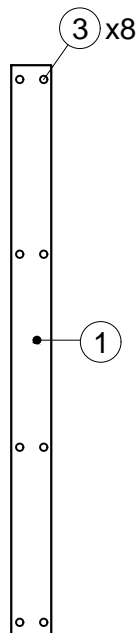
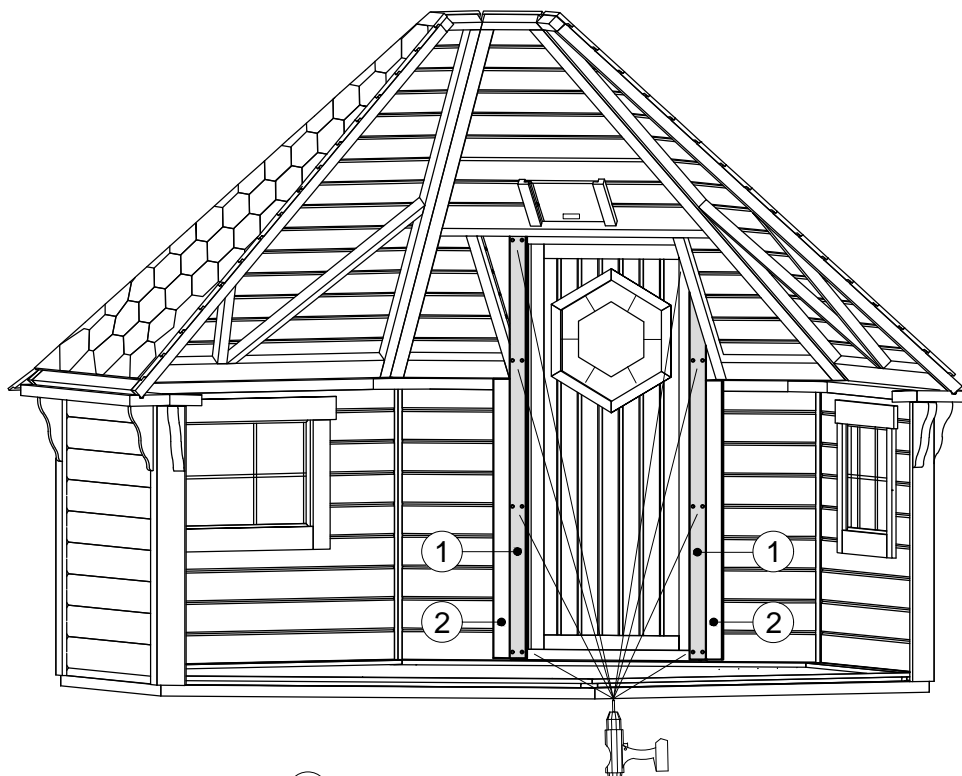
① x2
M-18x70x1624
or
M-18x70x1754
or
M-18x70x1884



② x2
M-18x70x1150
or
M-18x70x1280
or
M-18x70x1410

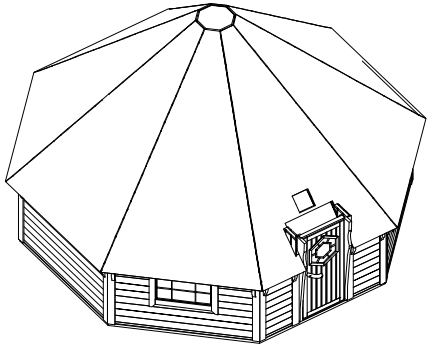


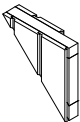
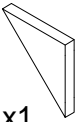
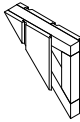
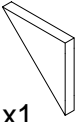

③ x32
T-GC-3.5x45

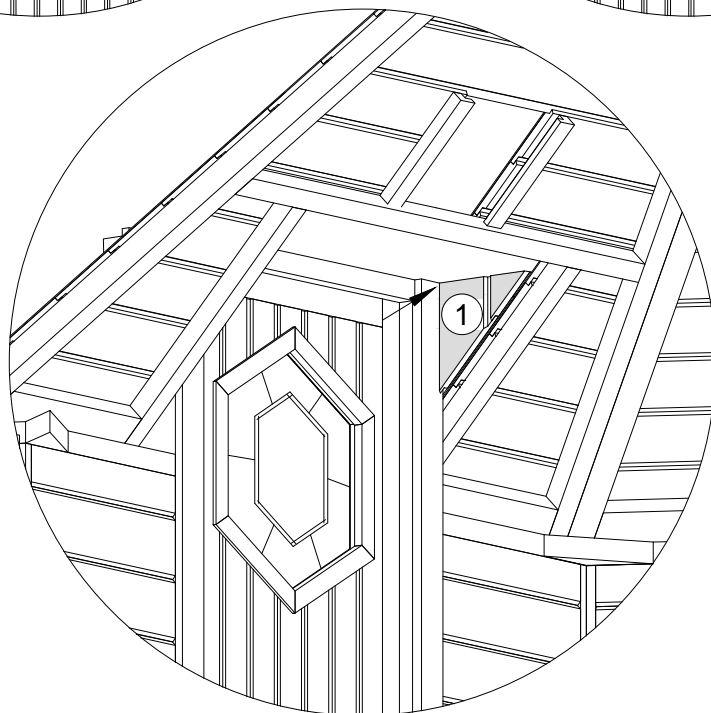
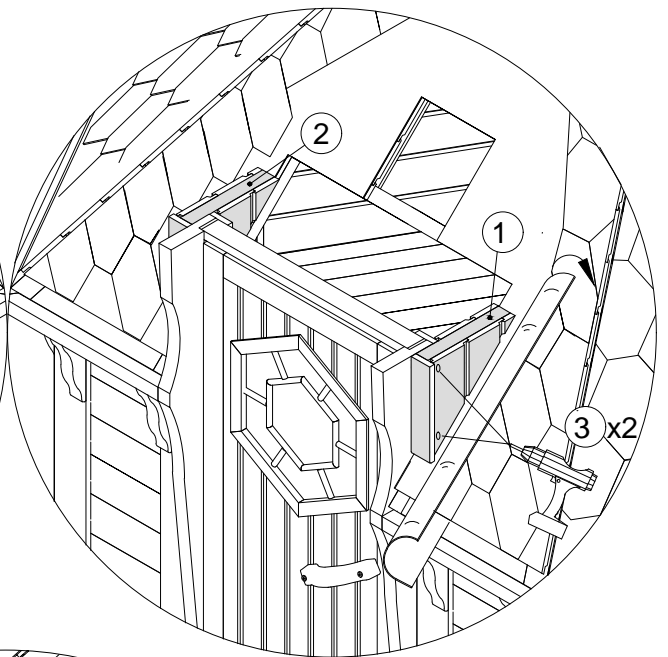
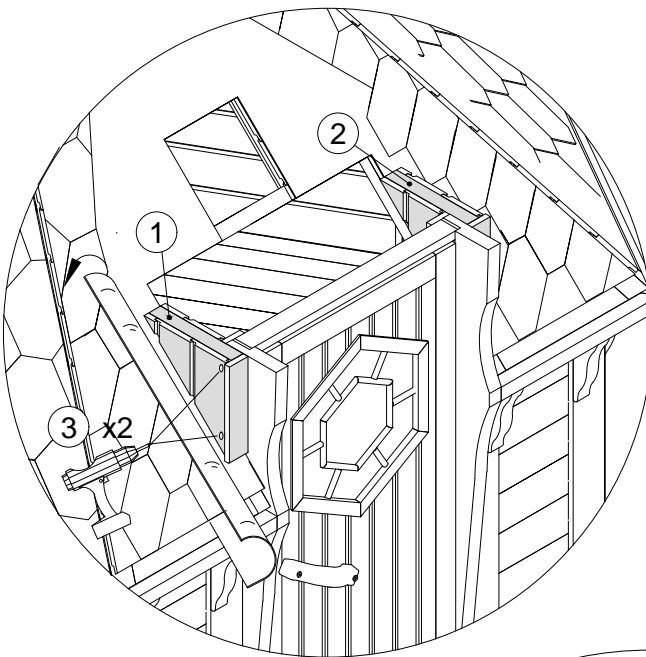


10. Grill / Camping Cabin 16.5

ENTRANCE ASSEMBLY

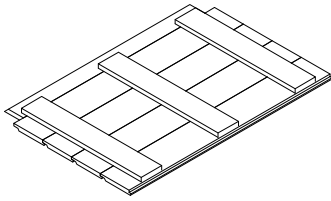


-  ① x1
GR-trikamp-313x331-(k)
-  ① x1
M-45X136X271-F
- OR**
-  ② x1
GR-trikamp-313x331-(d)
-  ② x1
M-45X136X271-F
-  ③ x4
T-GC-5x80



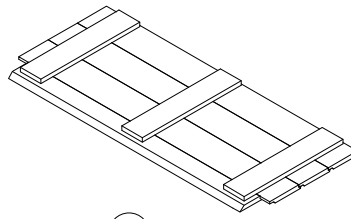
10.1 Grill / Camping / Sauna Cabin 16.5

ENTRANCE ASSEMBLY



① x1
GR-lubos-636x939

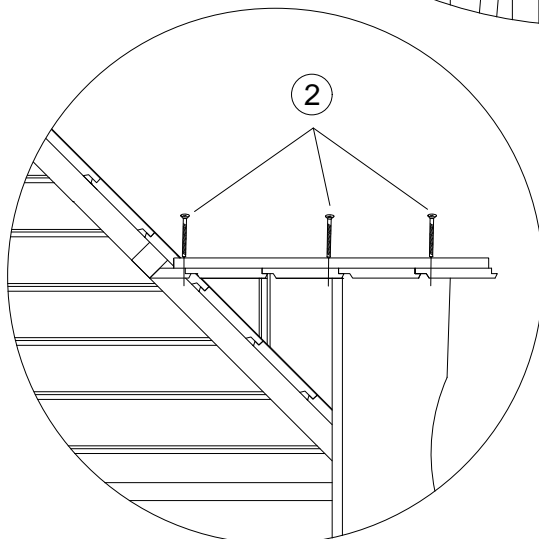
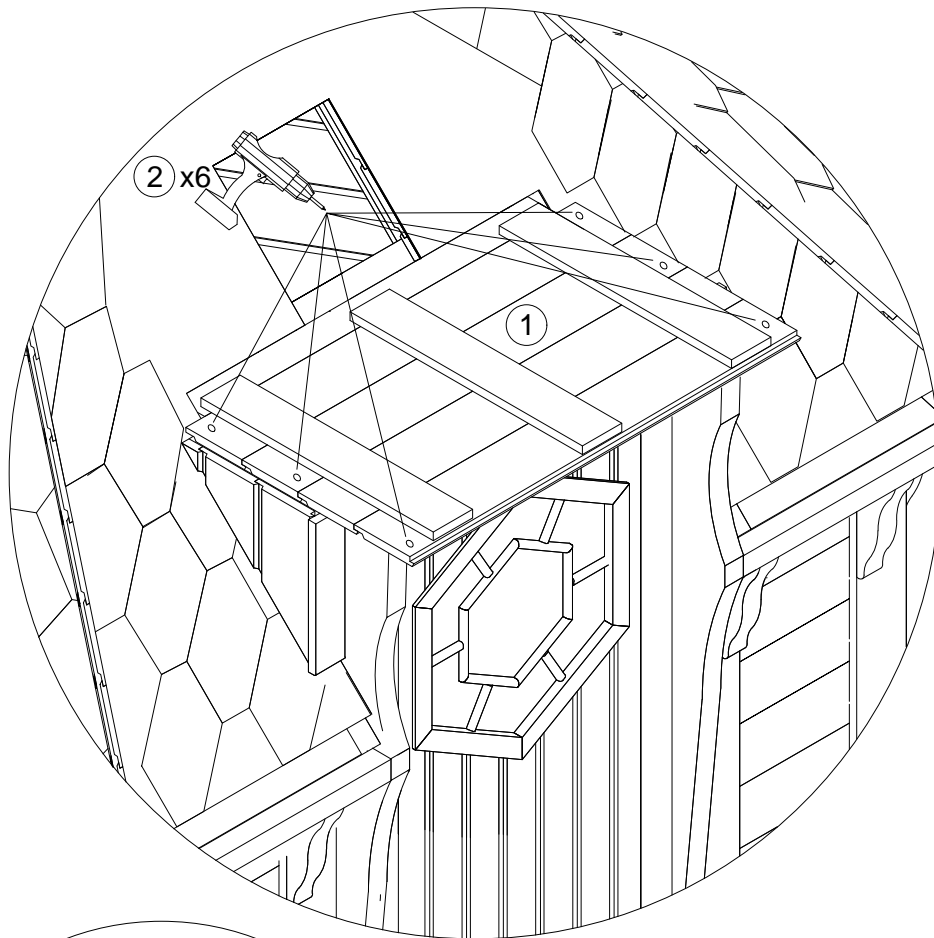
OR



① x1
GR-lubos-507x1159

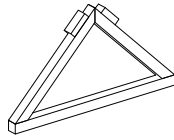


② x6
T-GC-4x70

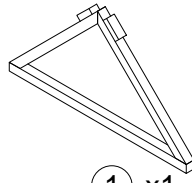


10.2 Grill / Camping / Sauna Cabin 16.5

ENTRANCE ASSEMBLY

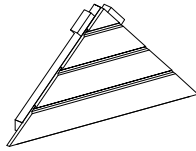


① x1
GR-Stog-trik-453x815

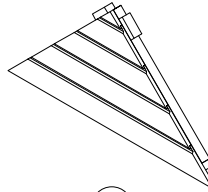


① x1
GR-Stog-trik-563x1035

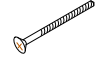
OR



② x1
GR-Pr-trik-491x981



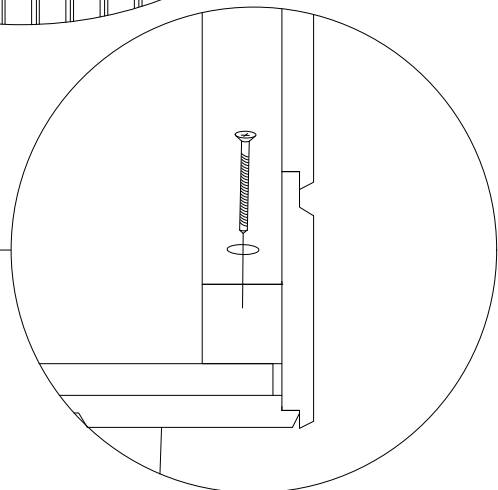
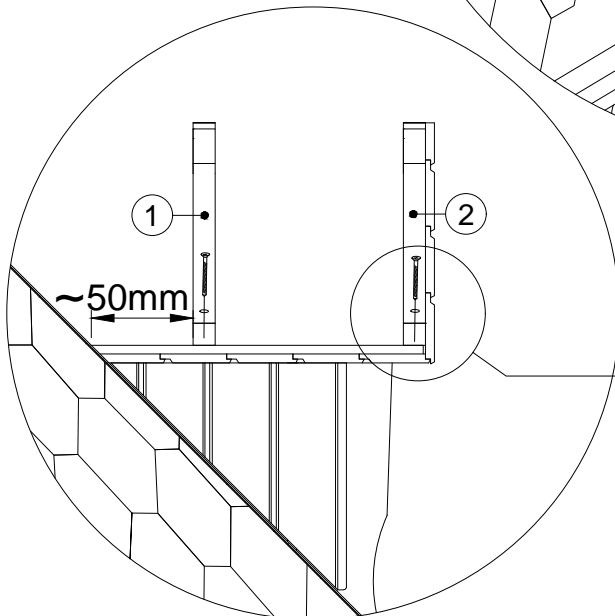
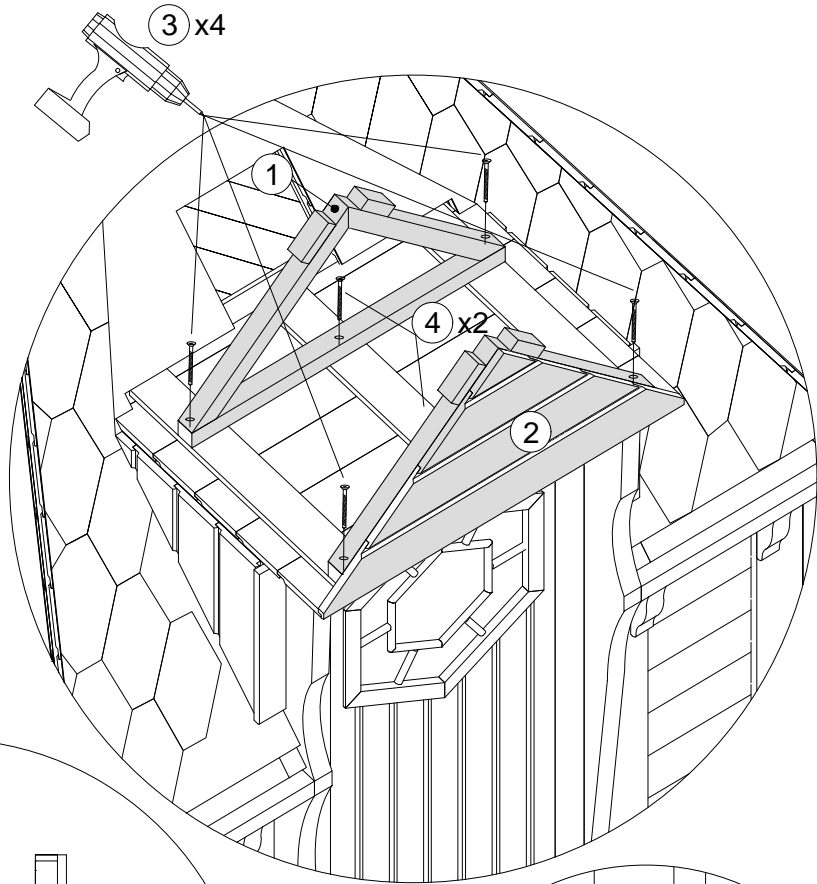
② x1
GR-Pr-trik-601x1202



③ x4
T-GC-5x100

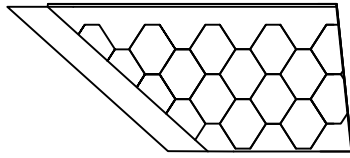


④ x2
T-GC-4x70



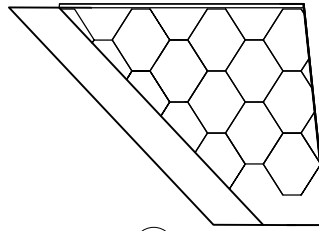
10.3 Grill / Camping / Sauna Cabin 16.5

ENTRANCE ASSEMBLY



① x1

GR-Stog-845x1090-(k)



① x1

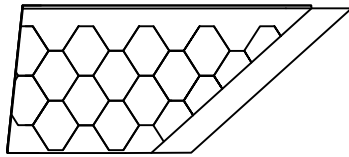
GR-Stog-1001x1070-(k)

OR



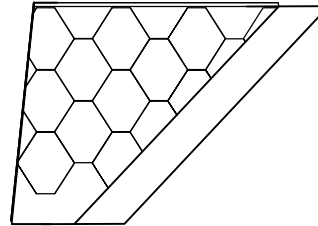
③ x8

T-GC-5x100



② x1

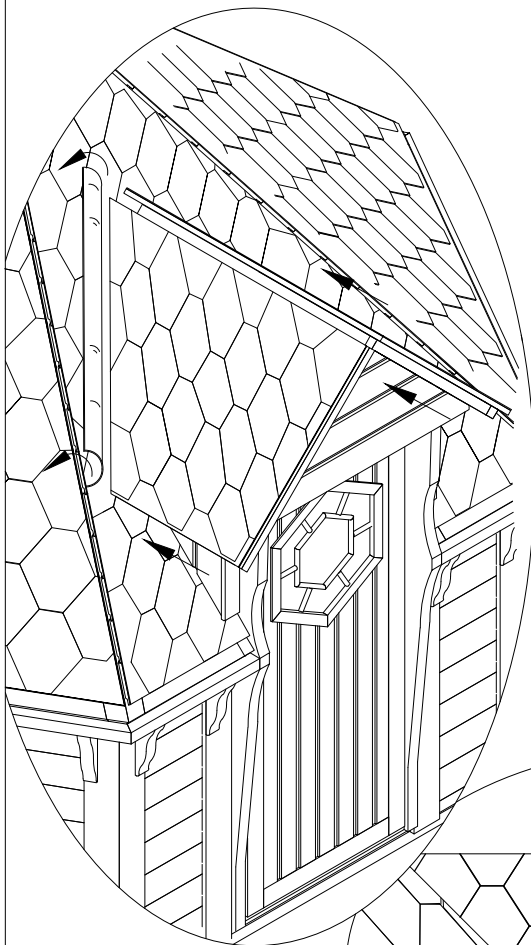
GR-Stog-845x1090-(d)



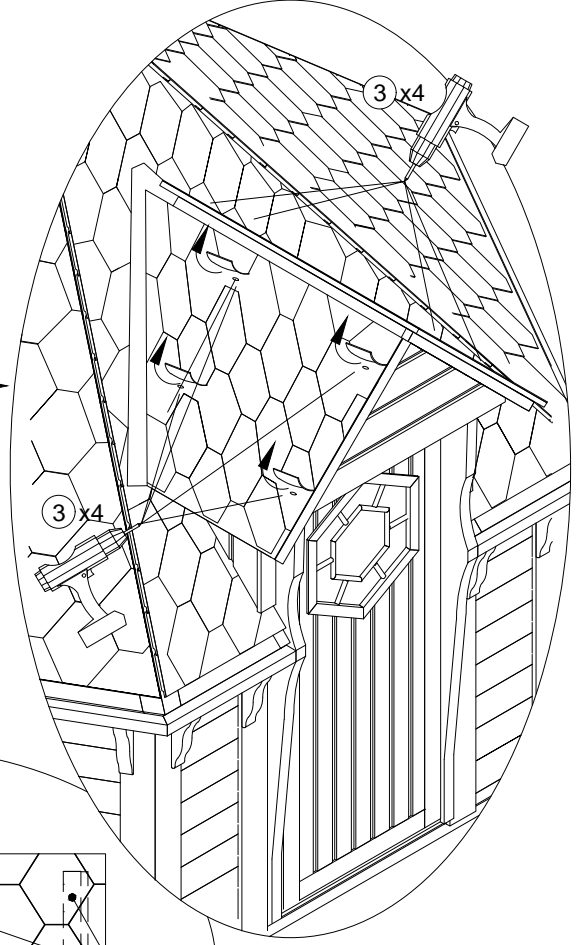
② x1

GR-Stog-1001x1070-(d)

1 Step

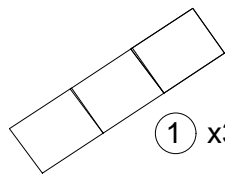


2 Step



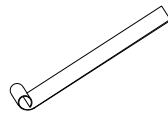
10.4 Grill / Camping / Sauna Cabin 16.5

ENTRANCE ASSEMBLY



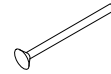
① x3

Bitumine-
cerpes-3x250x1000



② x2

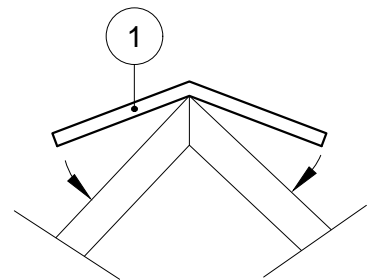
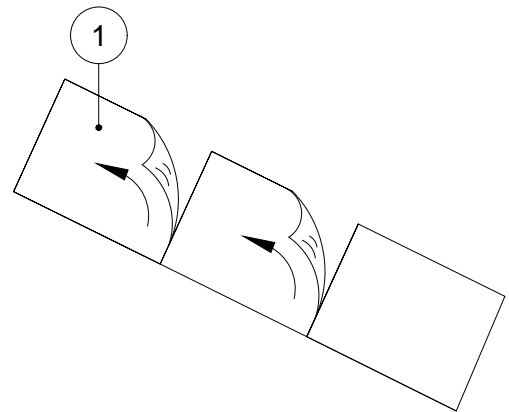
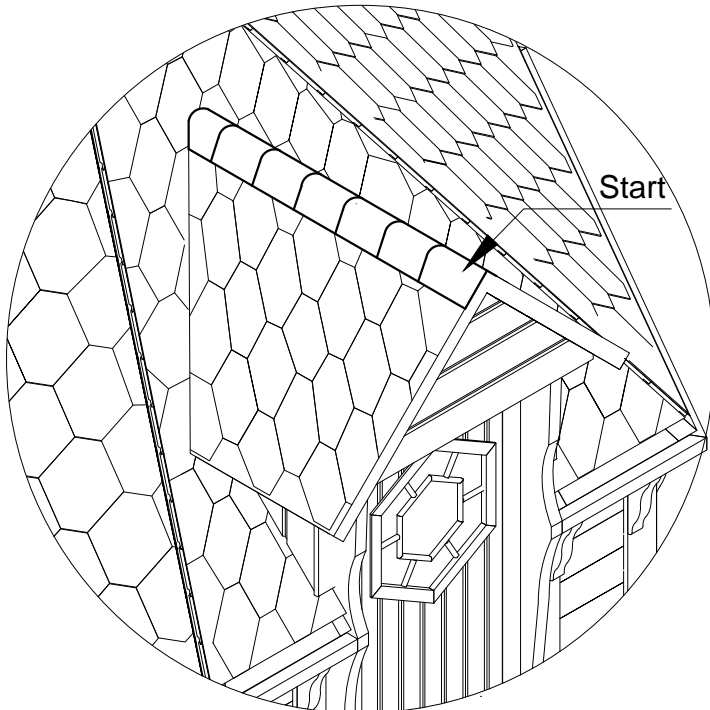
Bitumine-
juosta-3x70x1360



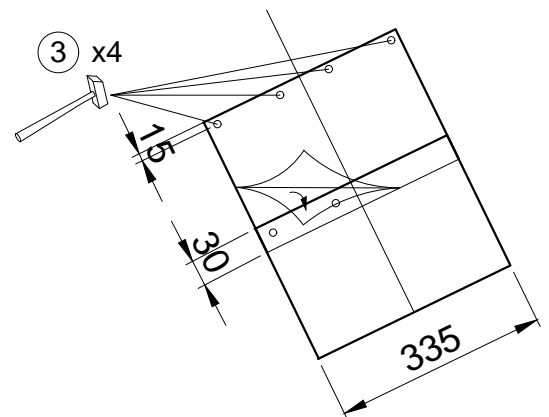
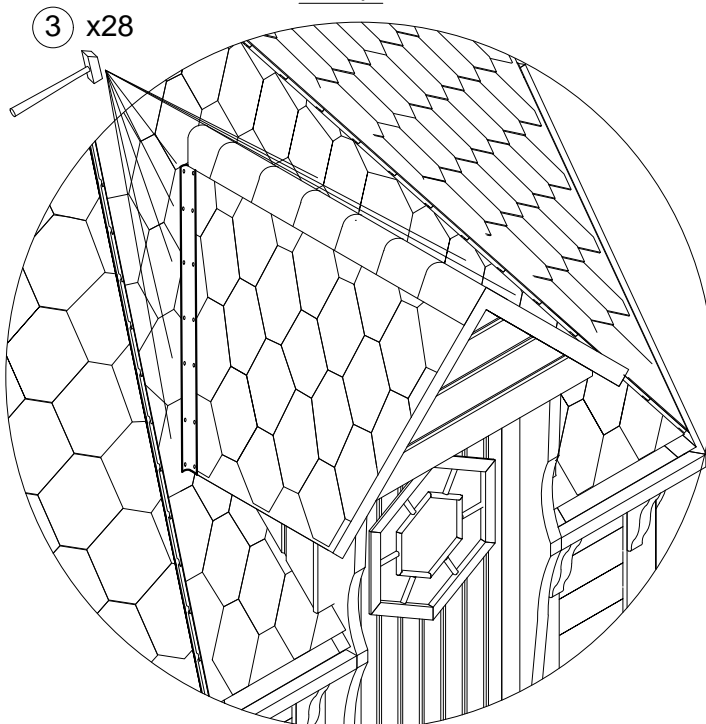
③ x 64

T-V-2x20

1 Step

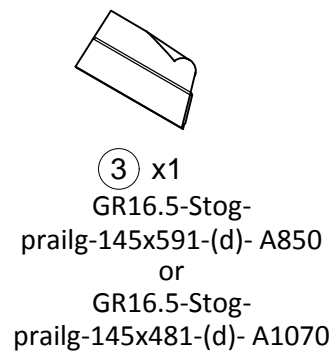
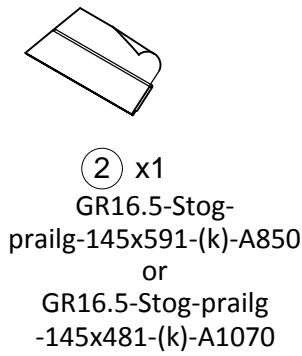
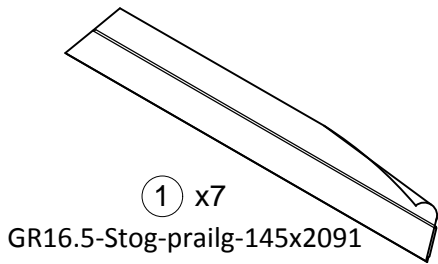


2 Step

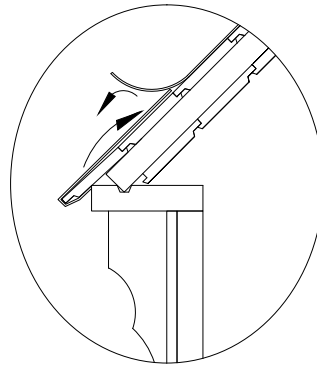
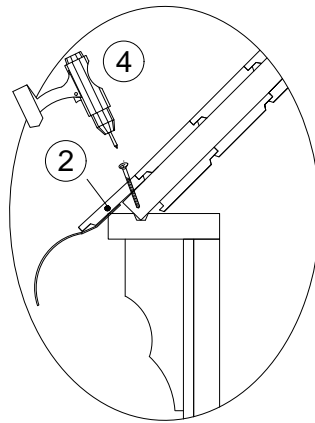
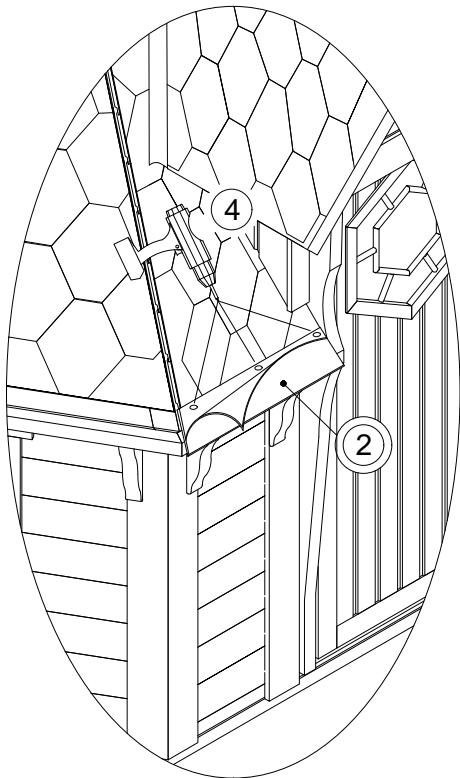


11. Grill / Camping / Sauna Cabin 16.5

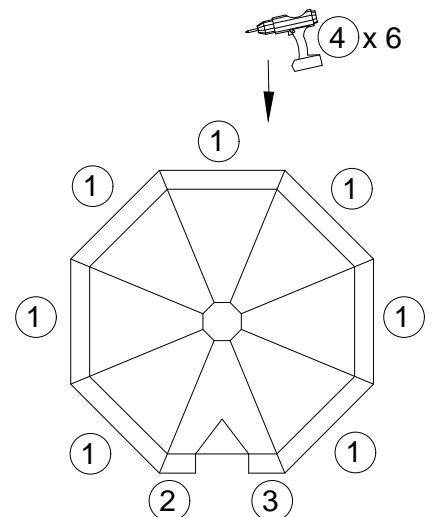
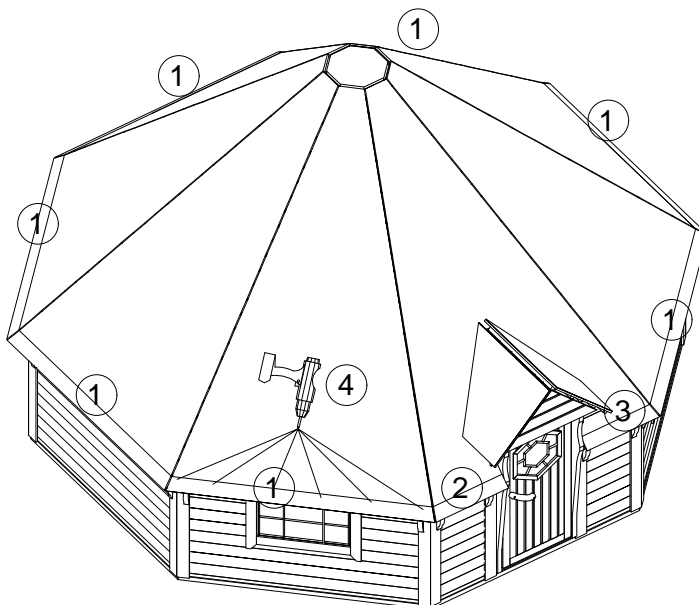
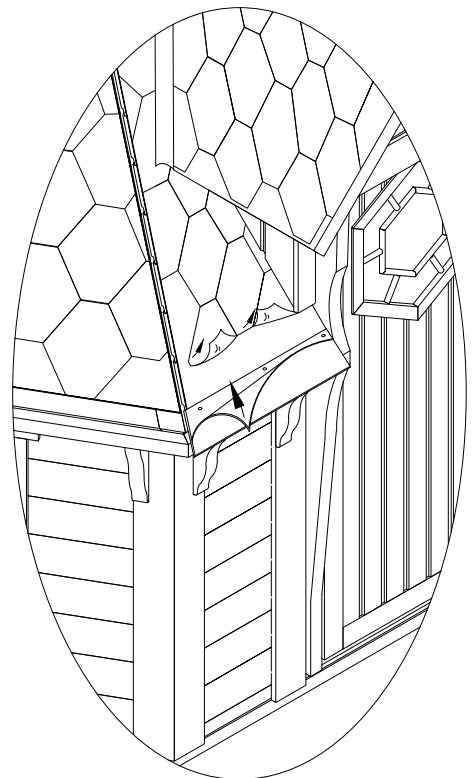
ROOF FINISHING



1 Step

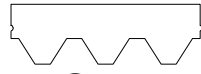


2 Step



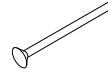
11.1 Grill / Camping / Sauna Cabin 16.5

ROOF FINISHING



① x24

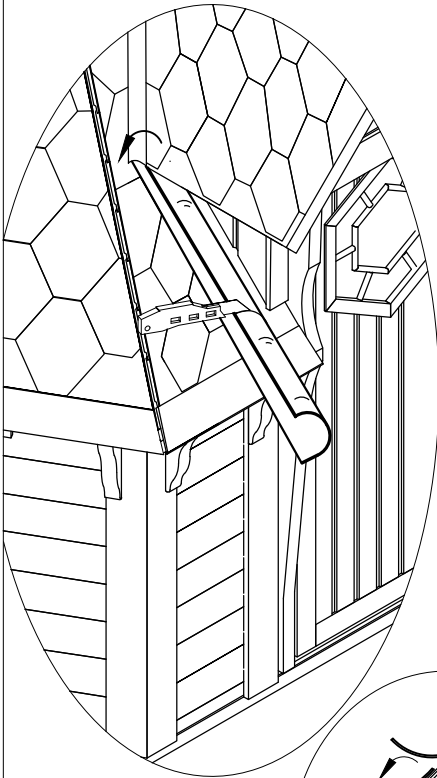
Bitumines-cerpes-3x317x1000



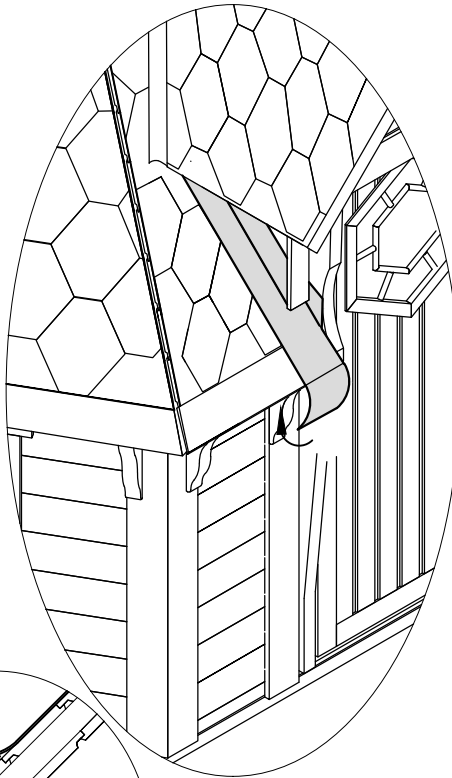
② x 150

T-V-2x20

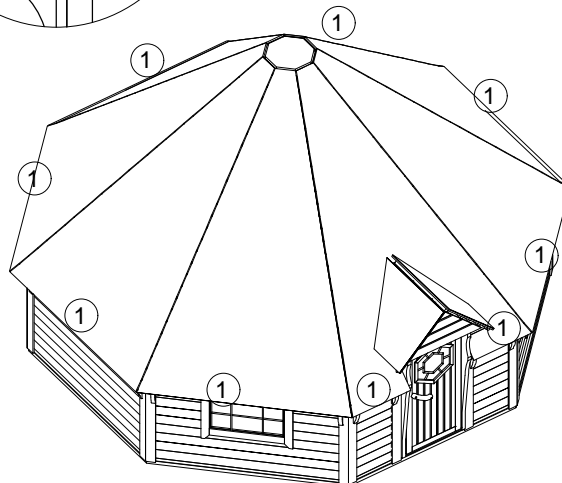
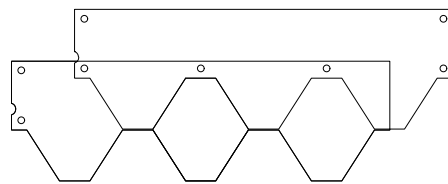
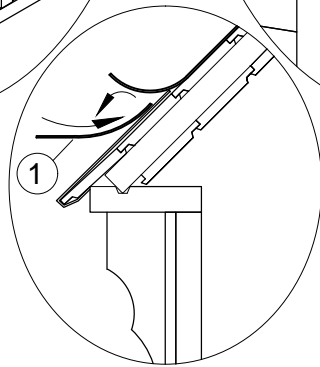
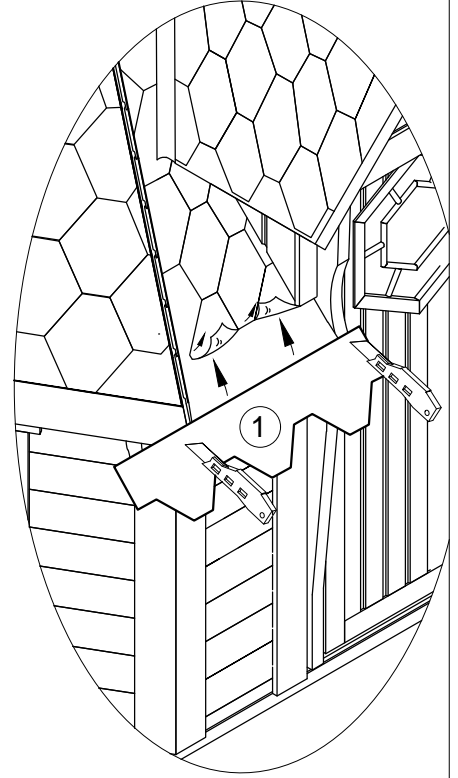
1 Step



2 Step

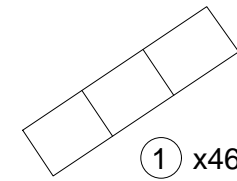
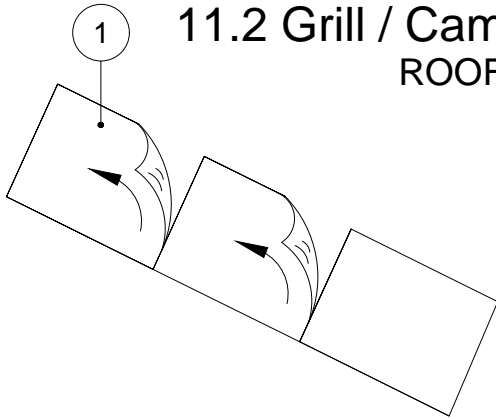


3 Step

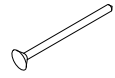


11.2 Grill / Camping / Sauna Cabin 16.5

ROOF FINISHING

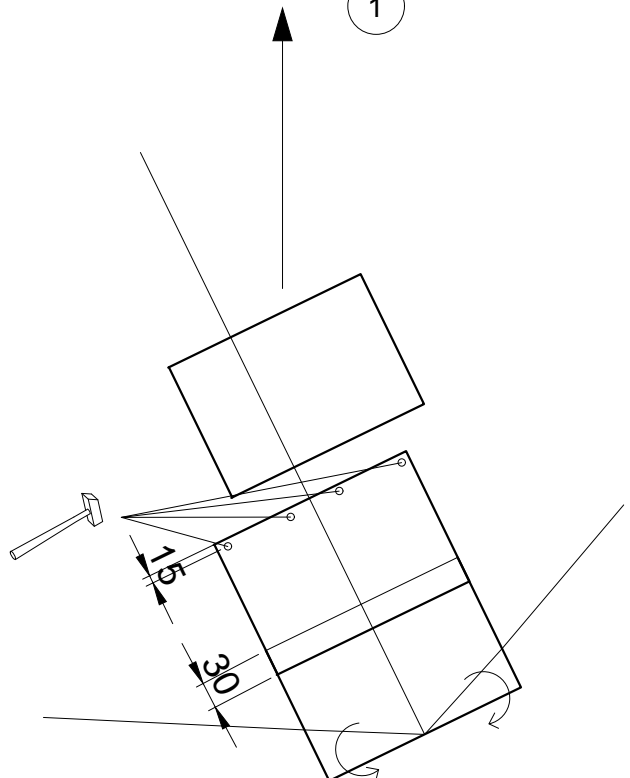
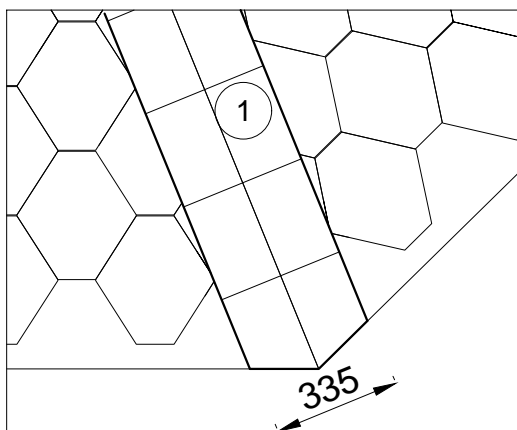
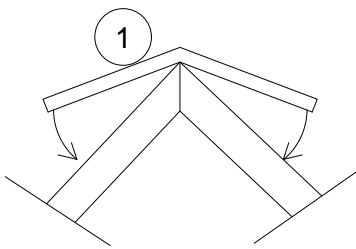
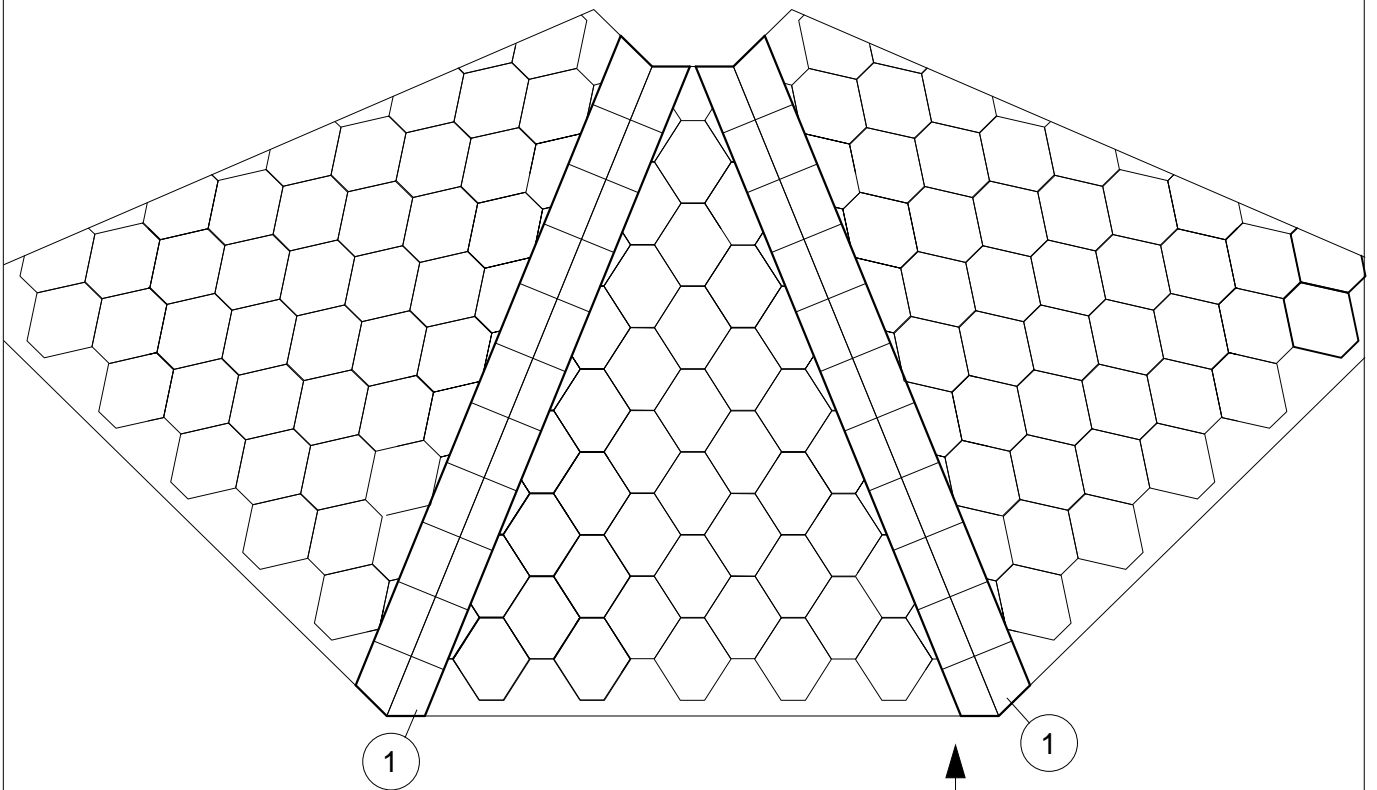


Bitumines-cerpes-3x250x1000

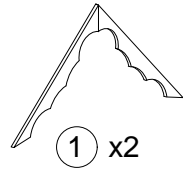


x 560

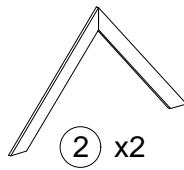
T-V-2x20



12. Grill / Camping / Sauna Cabin 16.5 OUTSIDE FINISHING BOARD



M-18x95x820-CNC
or
M-18x95x981-CNC

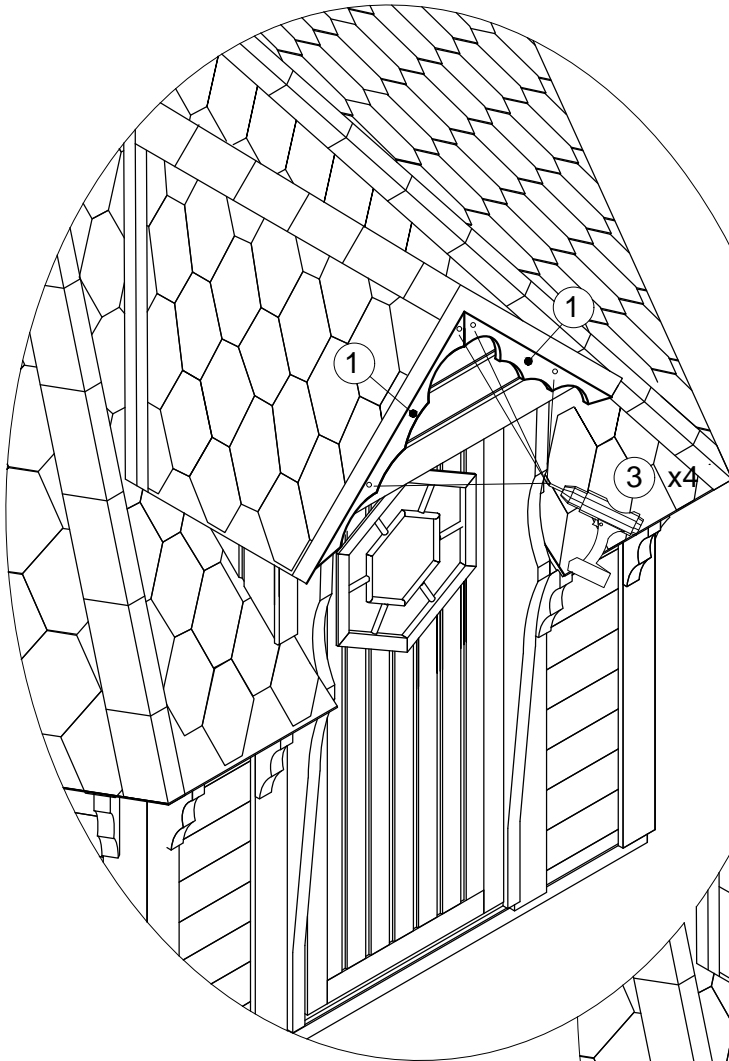


M-18x95x1050-F
or
M-18x95x1211-F

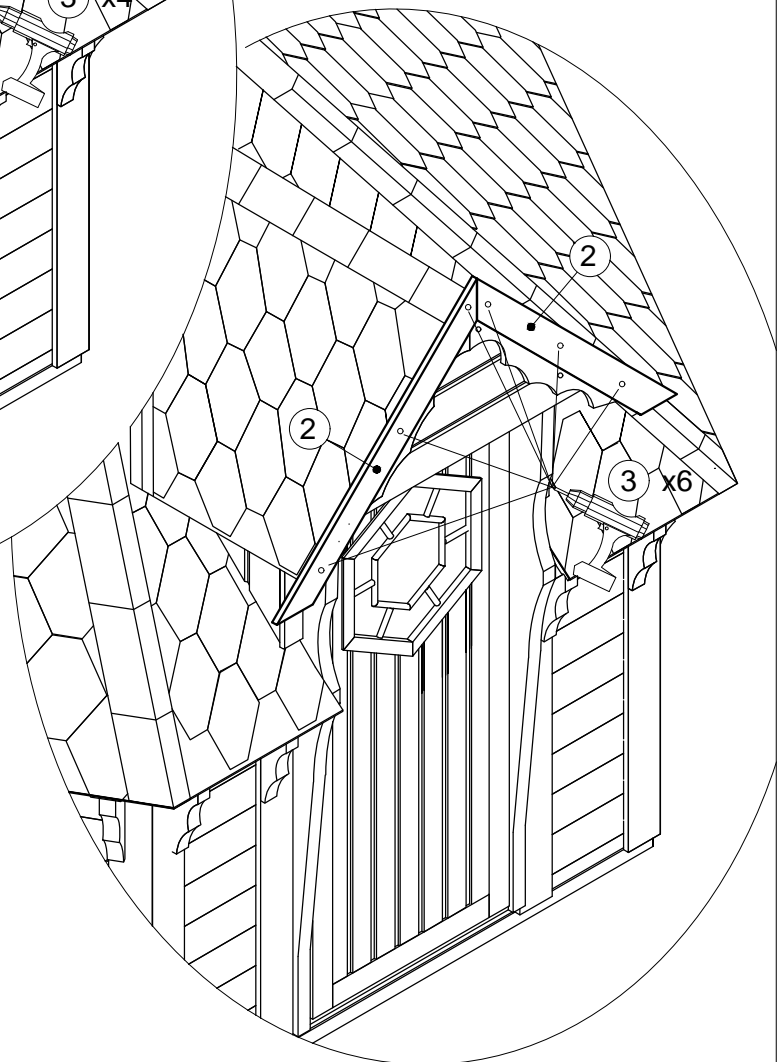


T-GC-3.5x45

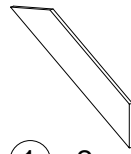
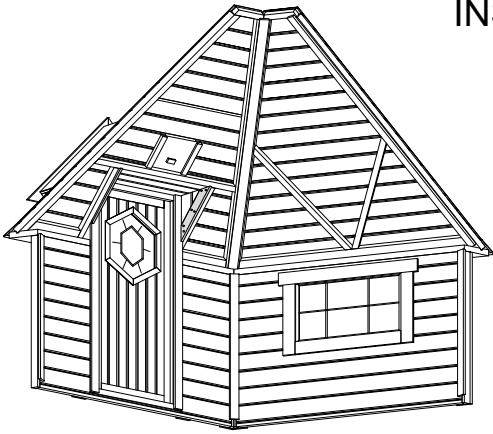
1 Step



2 Step



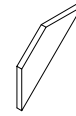
13. Grill / Camping / Sauna Cabin 16.5 INSIDE FINISHING BOARD



1 x2

M-18x83x488-F

OR



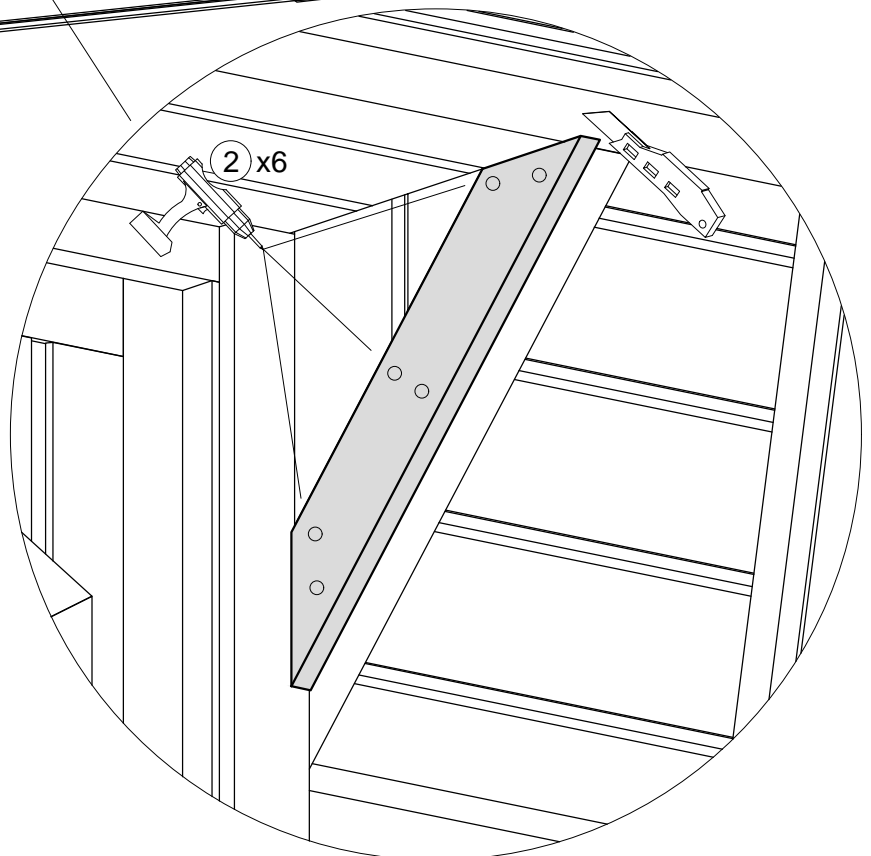
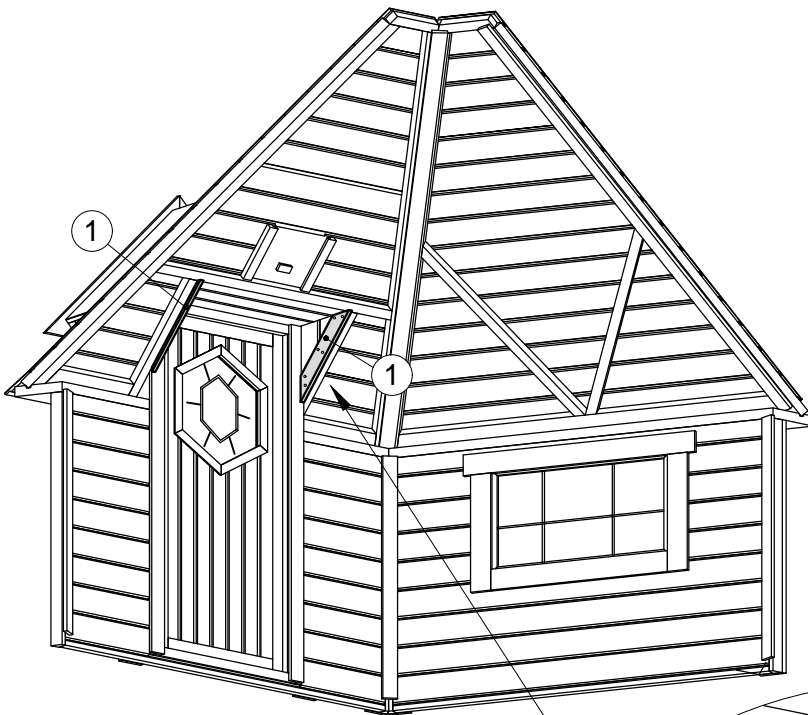
1 x2

M-18x95x318-F





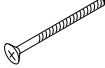
2 x12

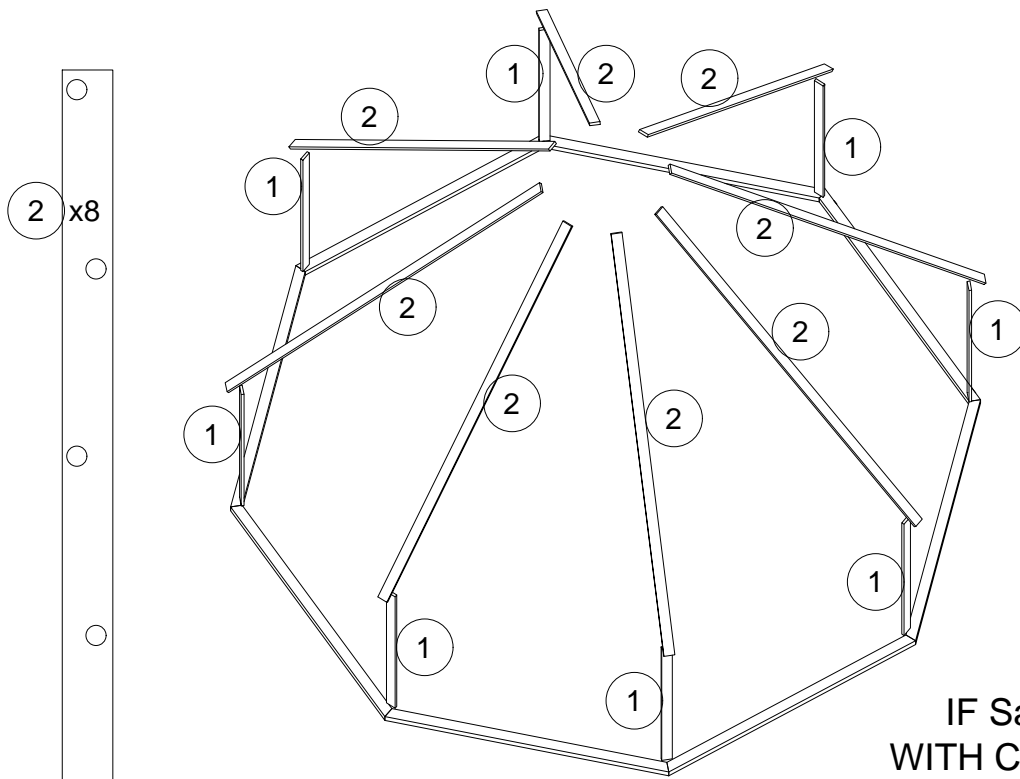
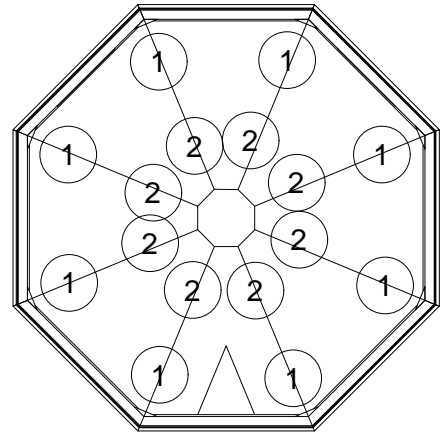
T-GC-3.5x45



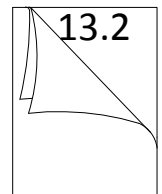
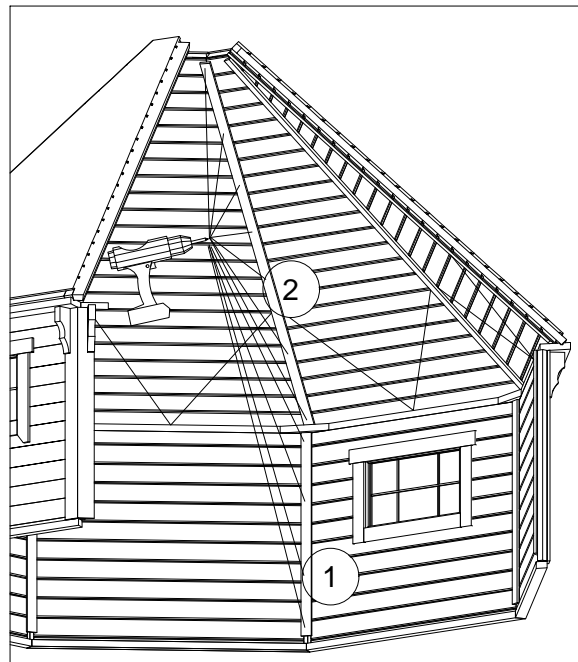
13.1 Grill / Camping Cabin 16.5

INSIDE FINISHING BOARD

-  ① x8
M-18x70x1105
or
M-18x70x1235
or
M-18x70x1365
-  ② x8
M-18x70x3040
-  ③ x150
T-GC-3.5X45

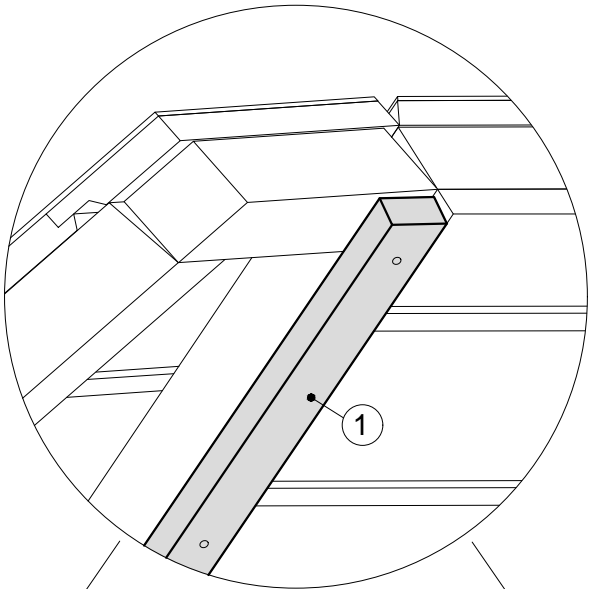
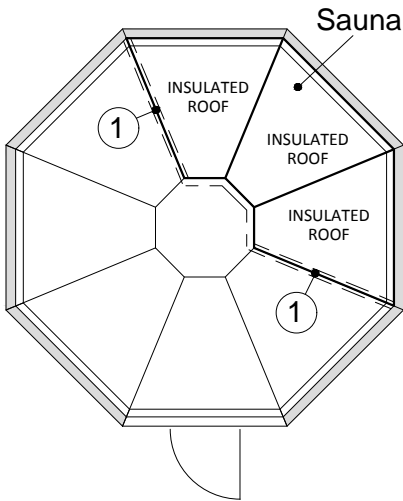
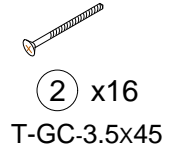
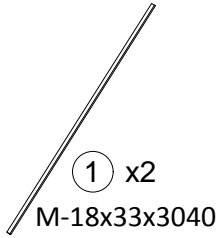
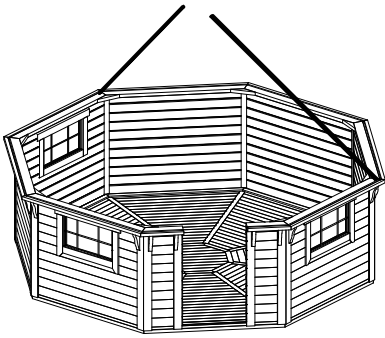


IF Sauna Cabin 16.5
WITH CHANGING ROOM

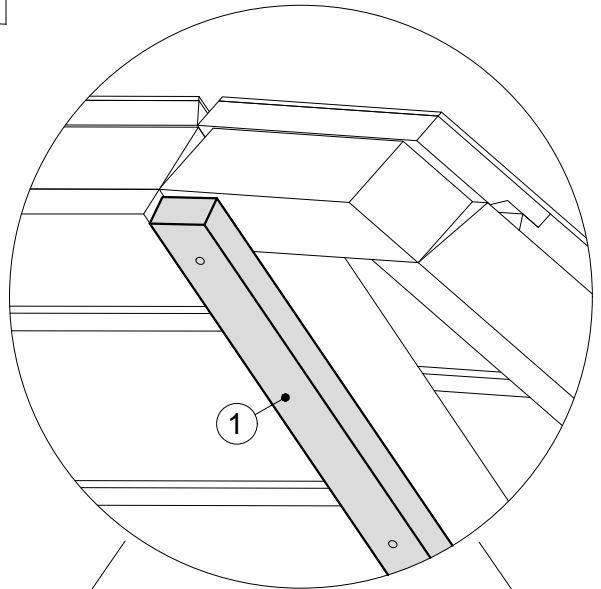


13.2 Sauna Cabin 16.5

INSIDE FINISHING BOARD

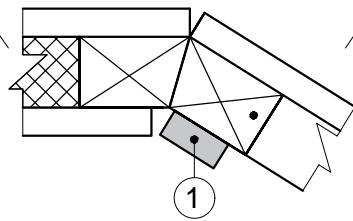
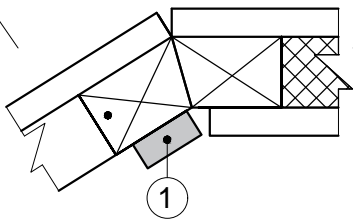


COLD ROOF



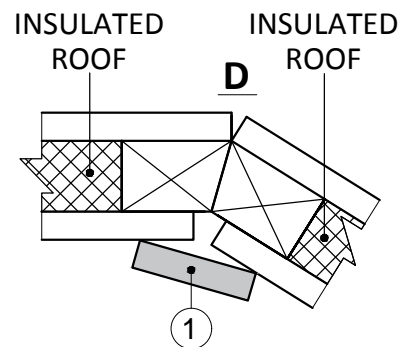
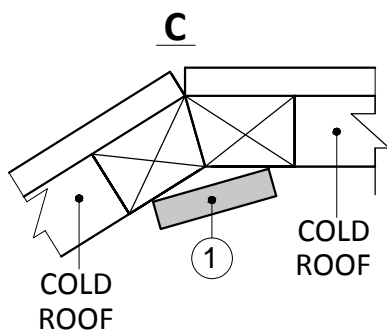
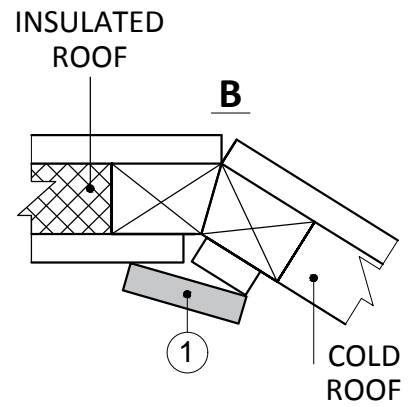
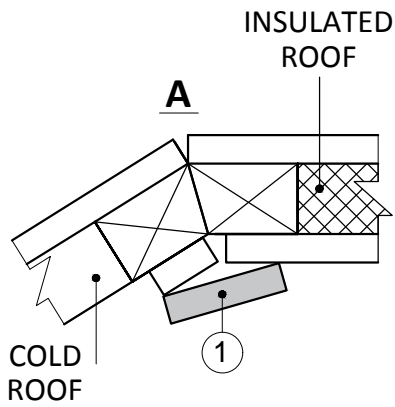
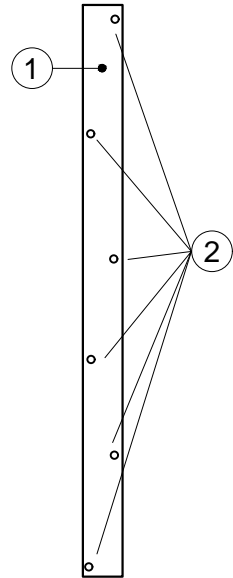
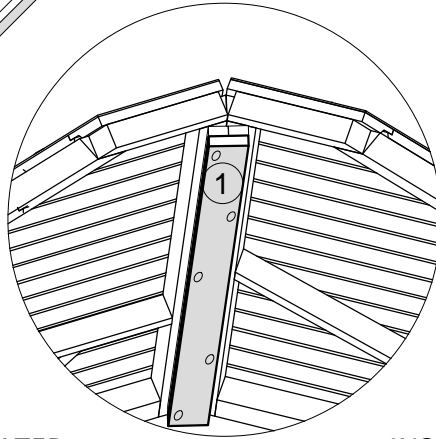
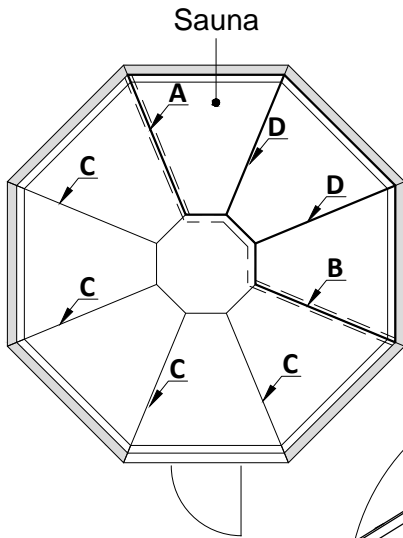
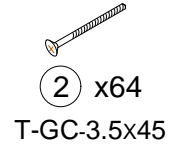
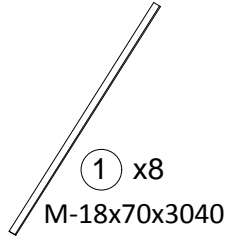
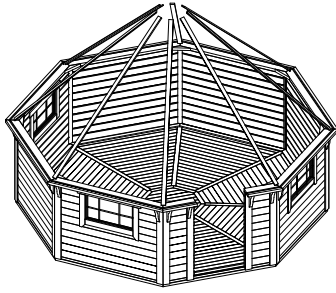
INSULATED ROOF

COLD ROOF

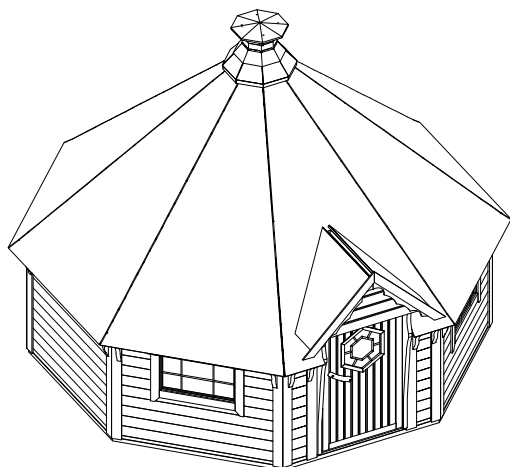


13.3 Sauna Cabin 16.5

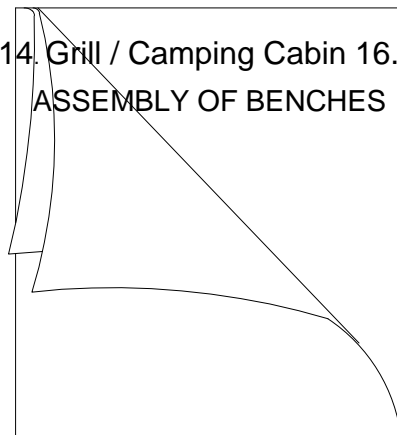
INSIDE FINISHING BOARD



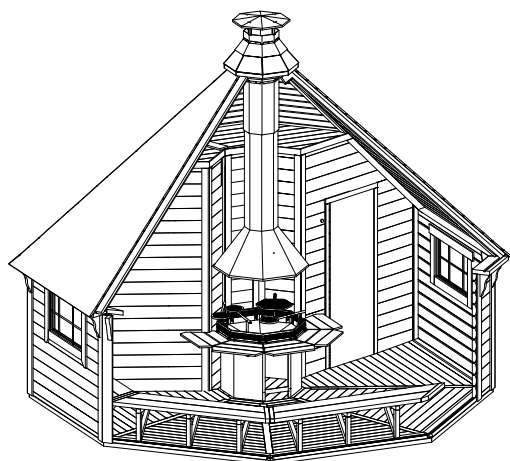
GRILL / CAMPING CABIN 16.5



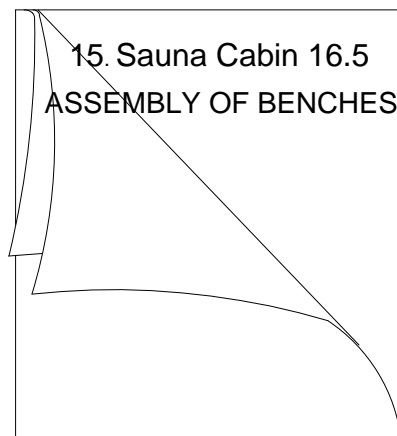
14. Grill / Camping Cabin 16.5
ASSEMBLY OF BENCHES



SAUNA CABIN 16.5 WITH CHANGING ROOM

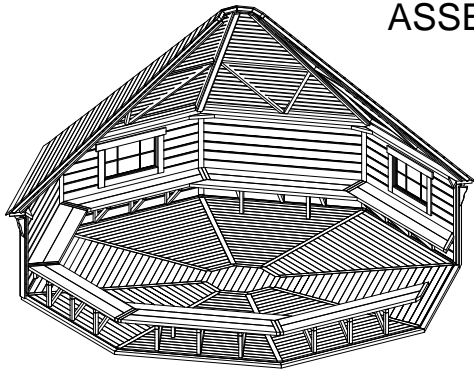


15. Sauna Cabin 16.5
ASSEMBLY OF BENCHES

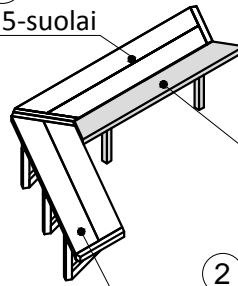


14. Grill / Camping Cabin 16.5

ASSEMBLY OF BENCHES



① x5
GR16.5-suolai



③ x2
GR16.5-suolu-
praplatinimas

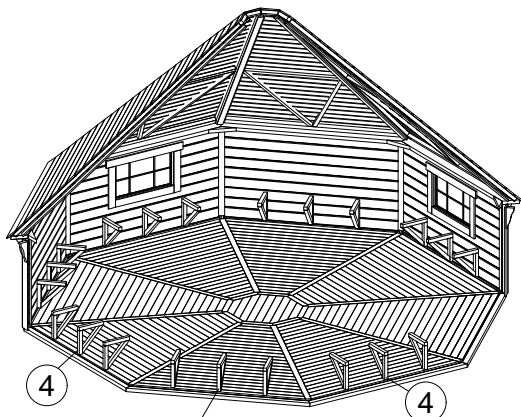
② x2
GR16.5-suolai-prailginimas

④ x21
GR-suolu-
kojos

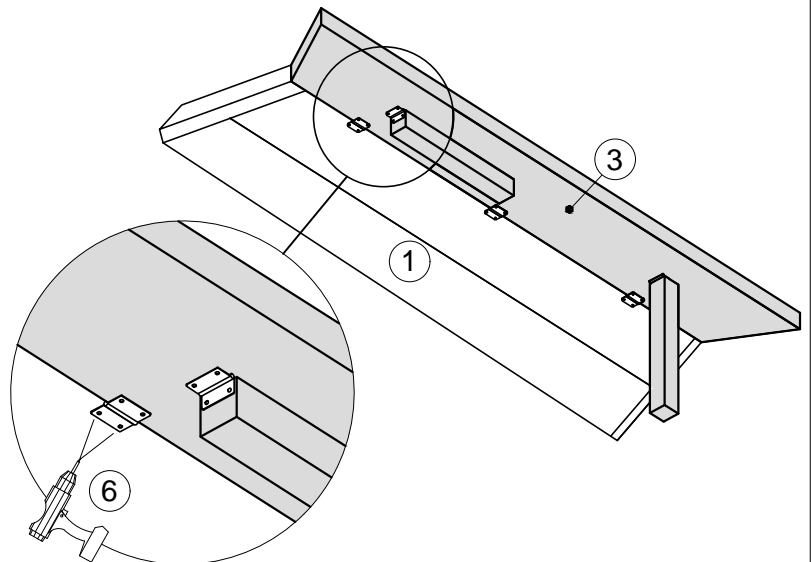
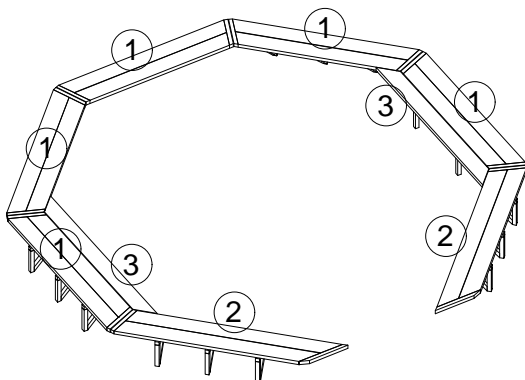
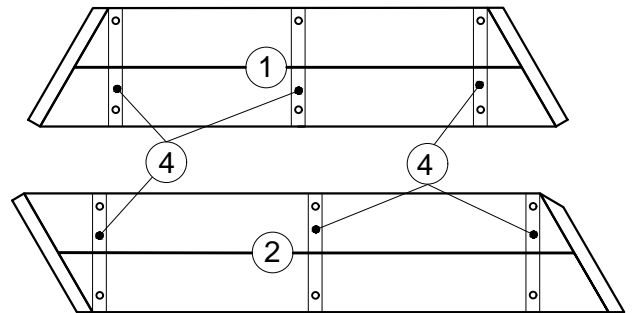
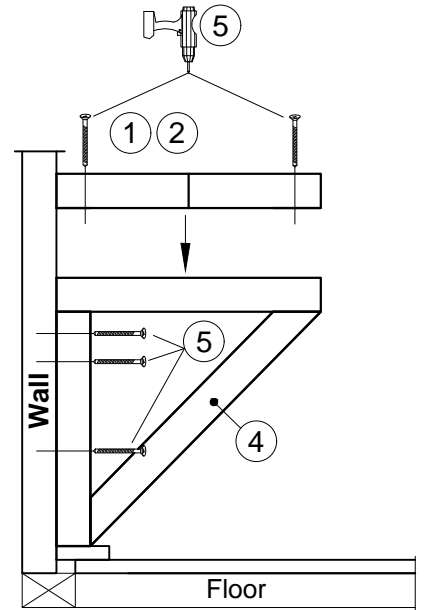
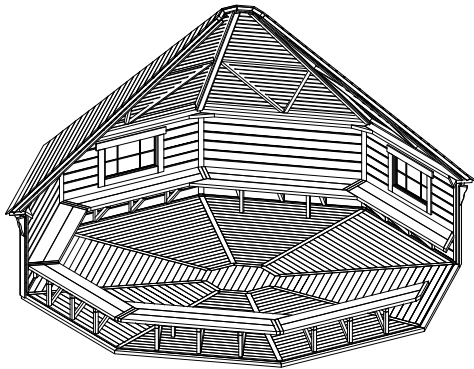
⑤ x105
T-GC-6x80

⑥ x14
T-GC-3x30

1 Step

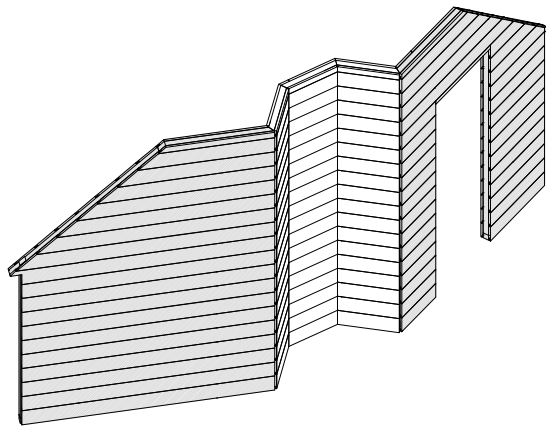



④
④
2 Step

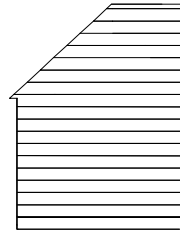


15. Sauna Cabin 16.5 with changing room

INSIDE WALL ASSEMBLY

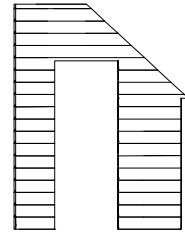


 **3** x16
T-GC-5x100



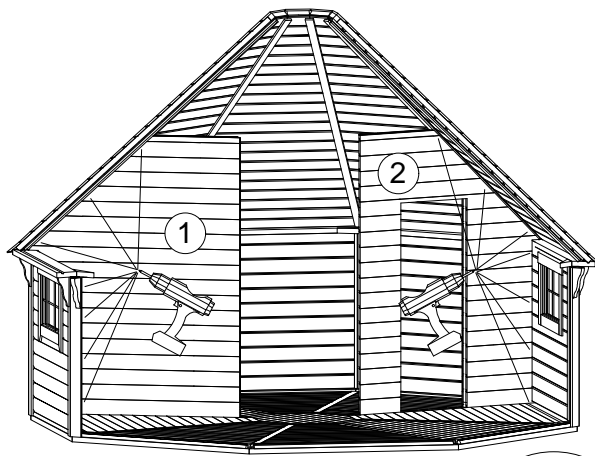
1 x 1

S16.5-Pertv-1902x2480

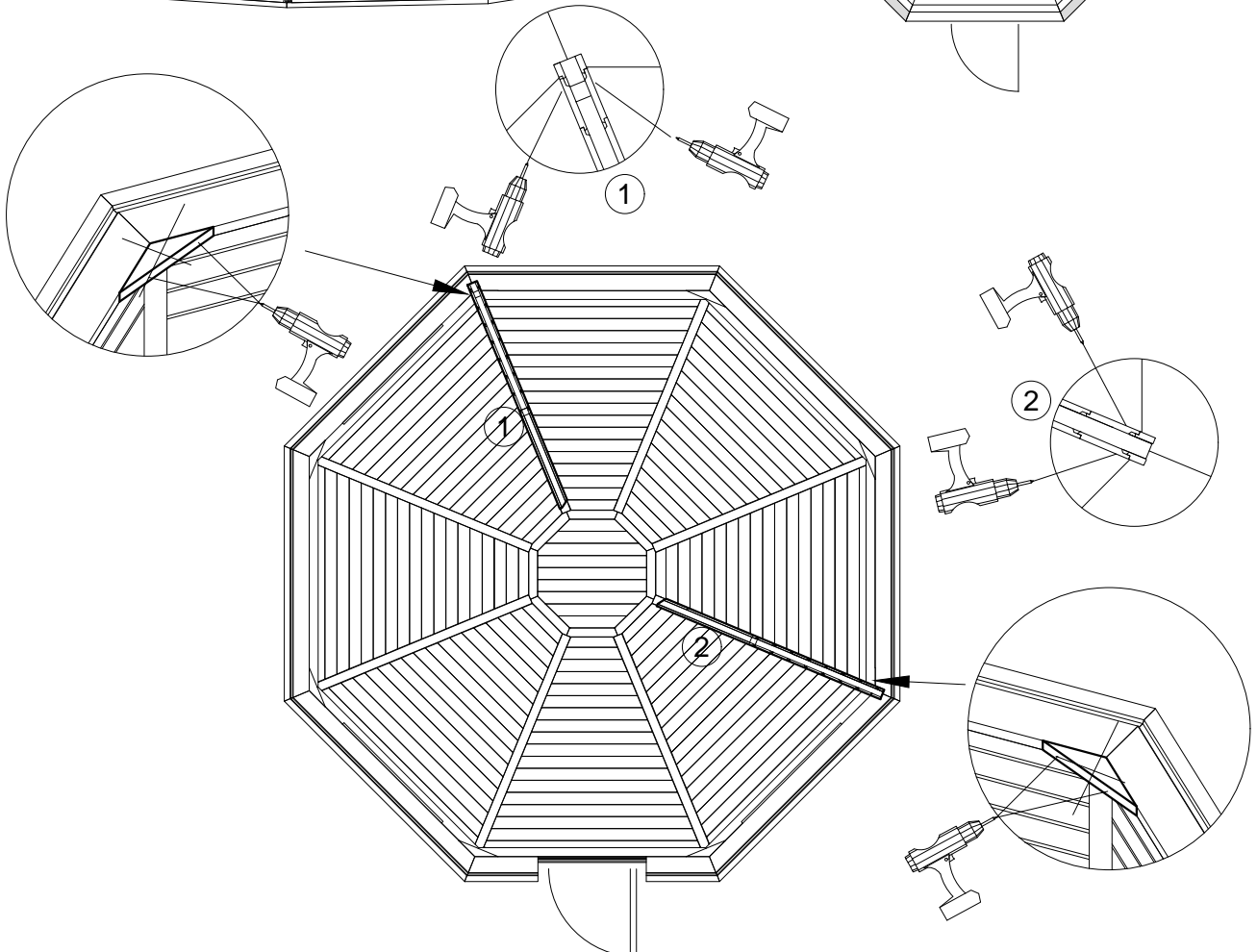
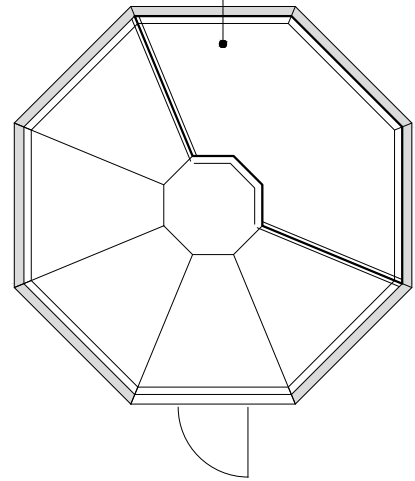


2 x 1

S16.5-PertvD-1902x2480

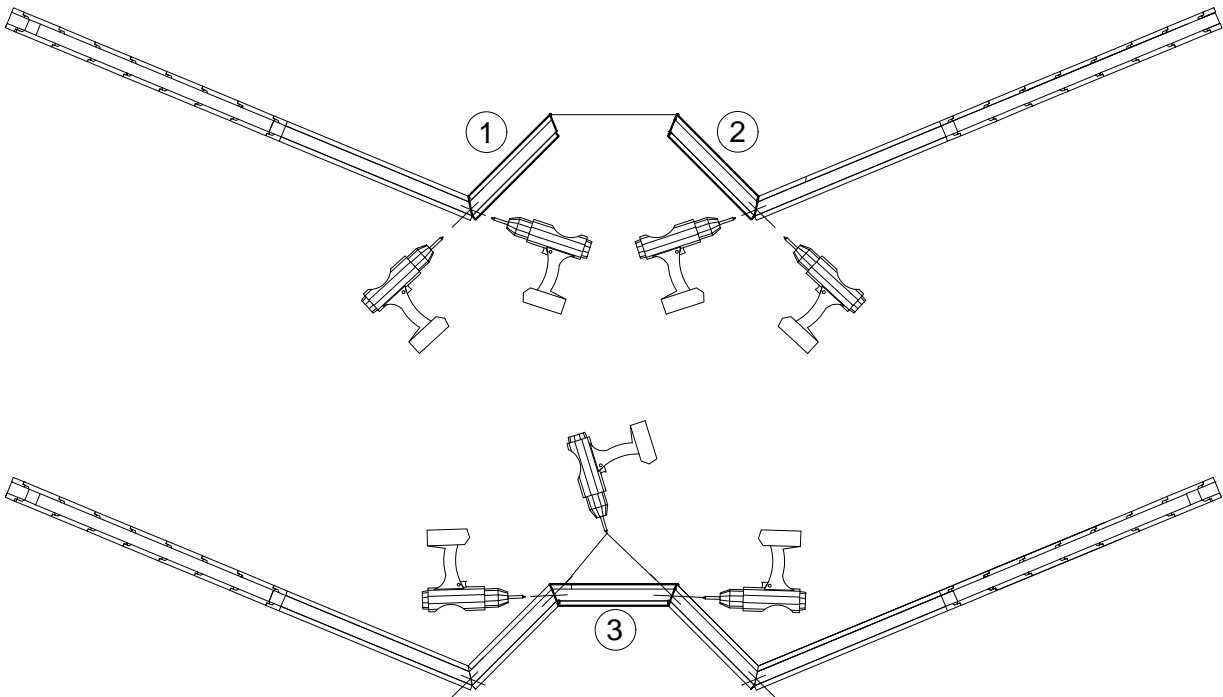
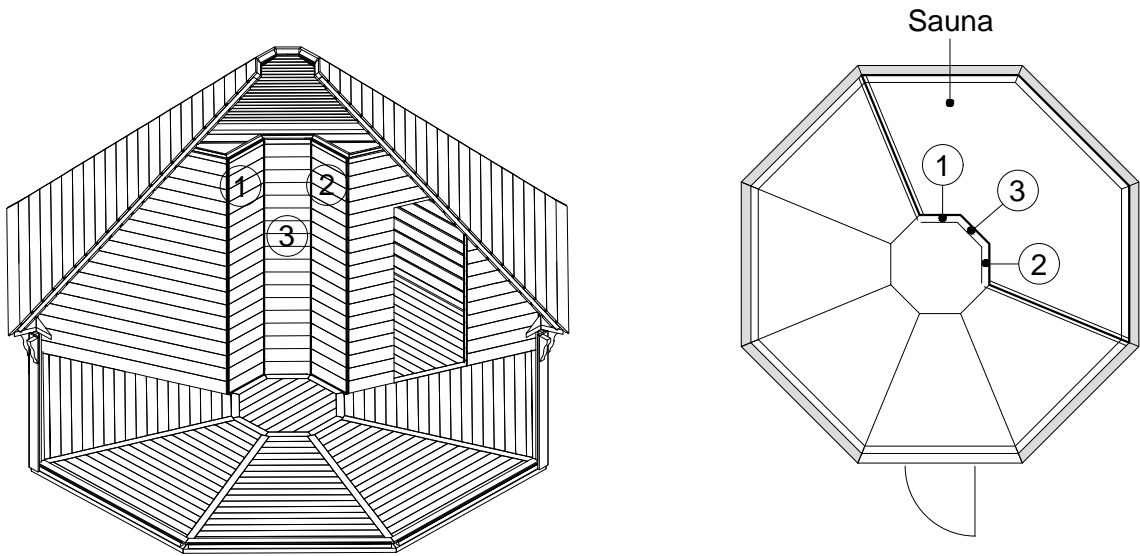
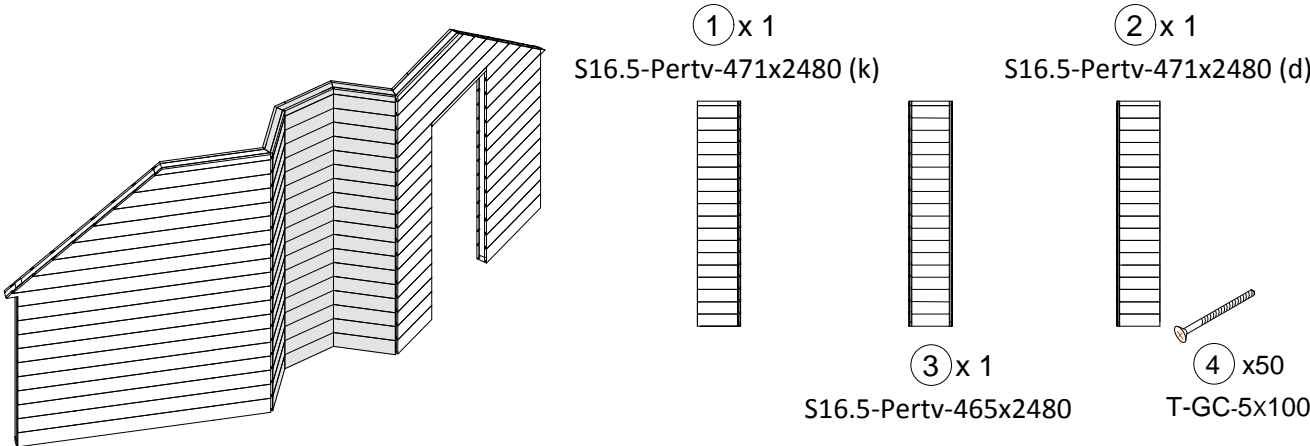


Sauna



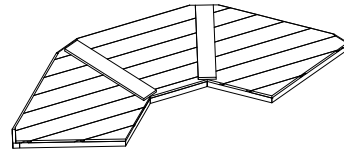
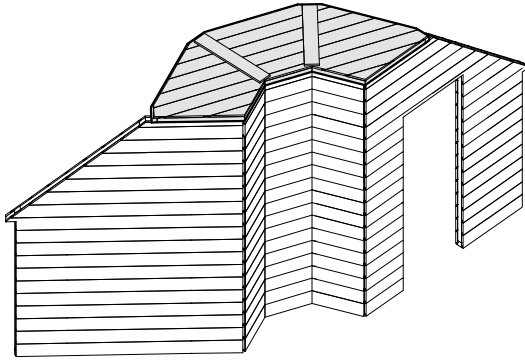
15.1 Sauna Cabin 16.5 with changing room

INSIDE WALL ASSEMBLY



16. Sauna Cabin 16.5 with changing room

CEILING ASSEMBLY



① x 1

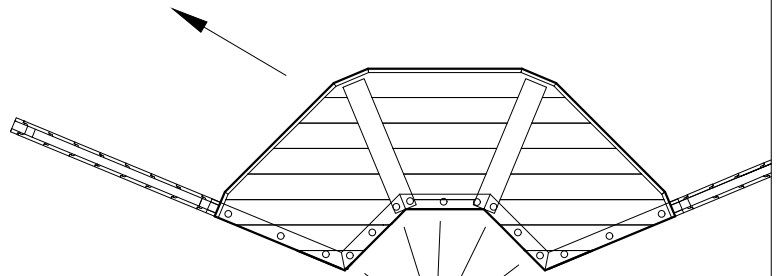
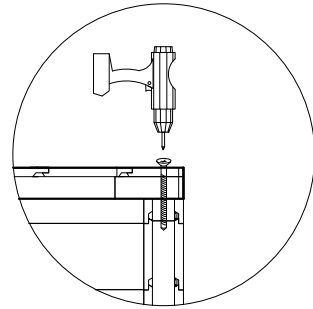
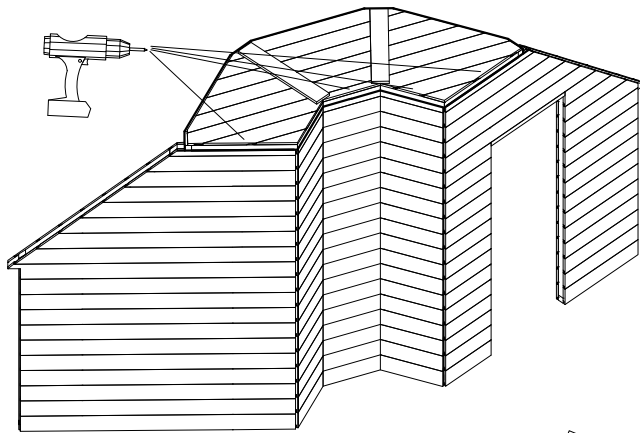
SGR16.5-Lubos-1066x2436



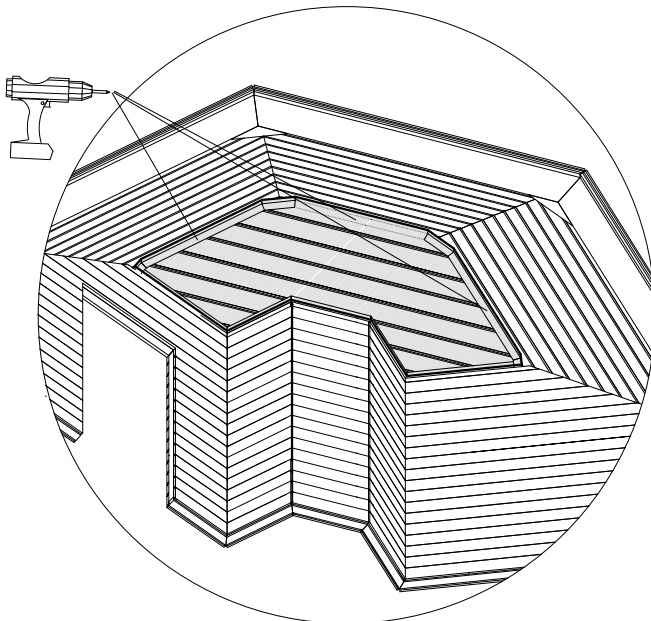
② x30

T-GC-5x100

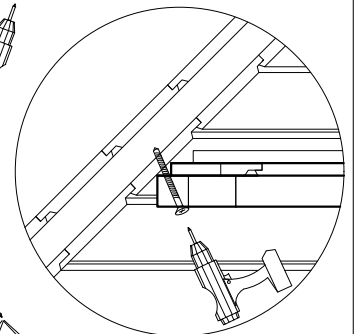
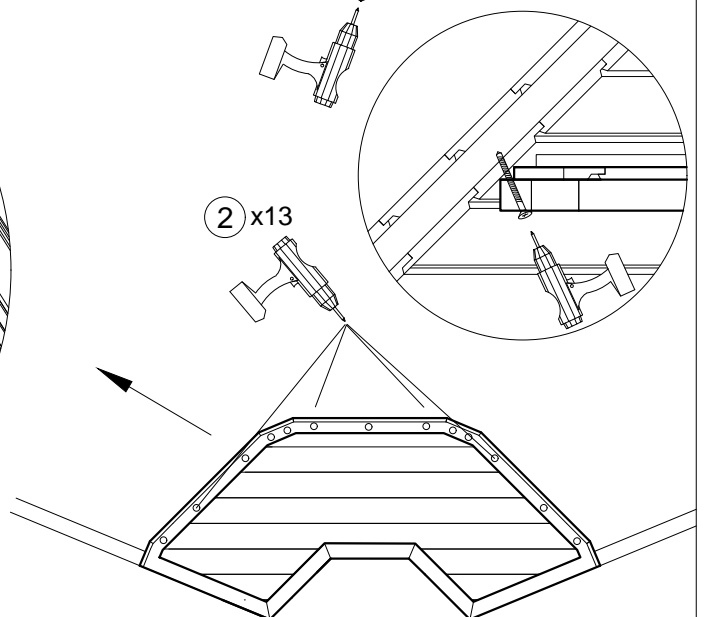
1 Step



2 Step

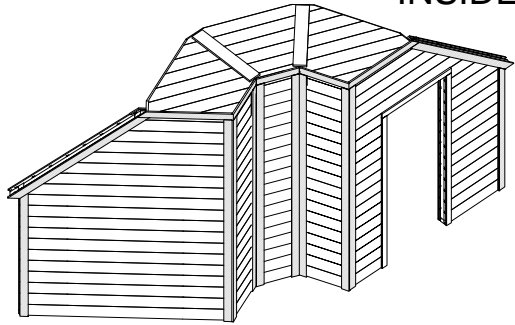


② x13

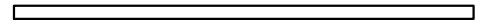


17. Sauna Cabin 16.5 with changing room

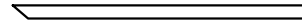
INSIDE WALL FINISHING BOARD



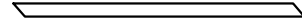
① x8
M-18x70x2473



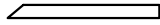
② x4
M-18x70x1511-F



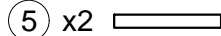
③ x2
M-18x70x1590-F



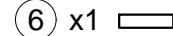
④ x2
M-18x70x813-F



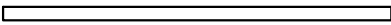
⑤ x2
M-18x70x470



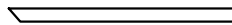
⑥ x1
M-18x70x393



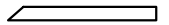
⑦ x8
M-18x70x2410



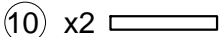
⑧ x2
M-18x70x1515-F



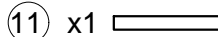
⑨ x2
M-18x70x824-F



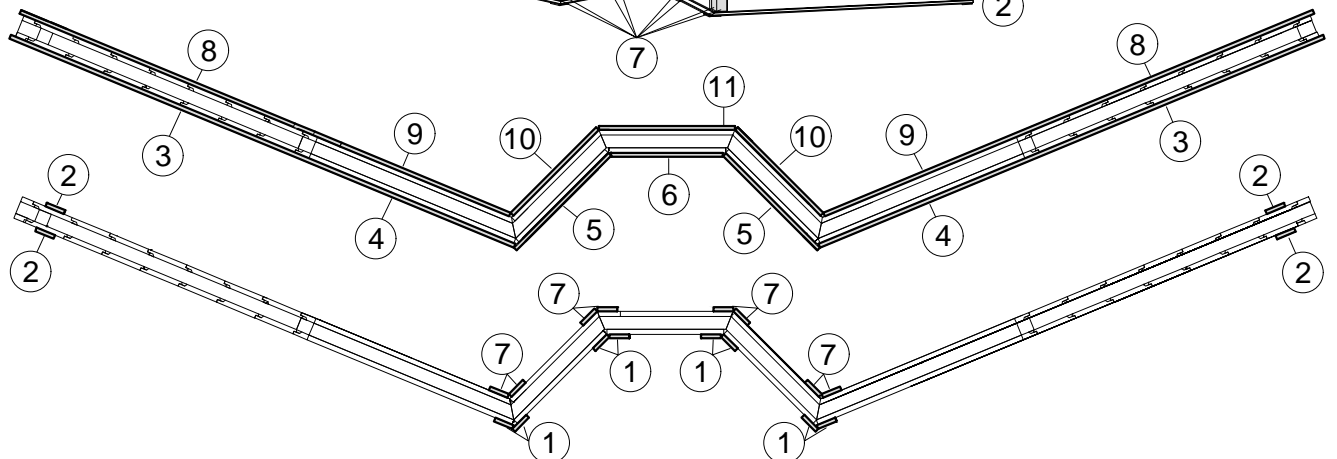
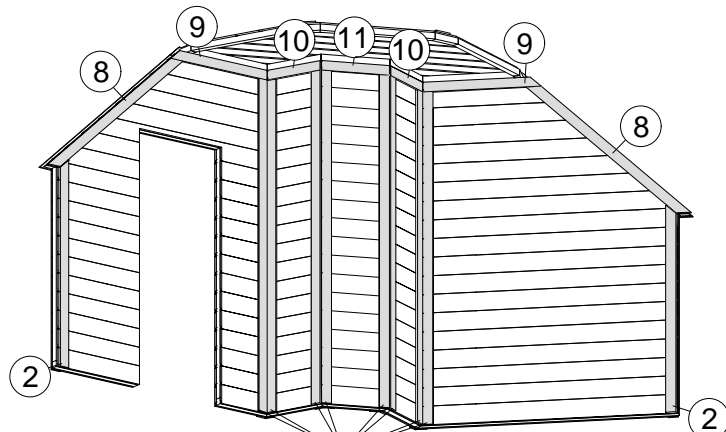
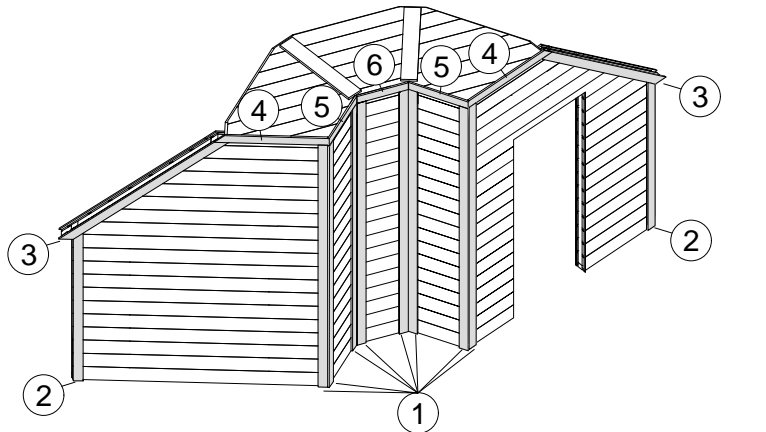
⑩ x2
M-18x70x426



⑪ x1
M-18x70x480

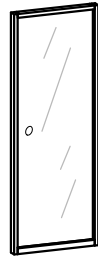
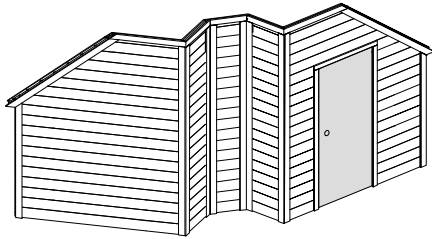


⑫ x244
T-GC-3.5x45



18. Sauna Cabin 16.5 with changing room

INSIDE DOOR AND FINISHING BOARD



① x1
PUS00233

② x3
M-18x70x1840

③ x1
M-18x50x1840

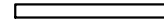
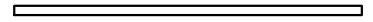
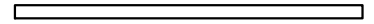
④ x2
M-18x70x810



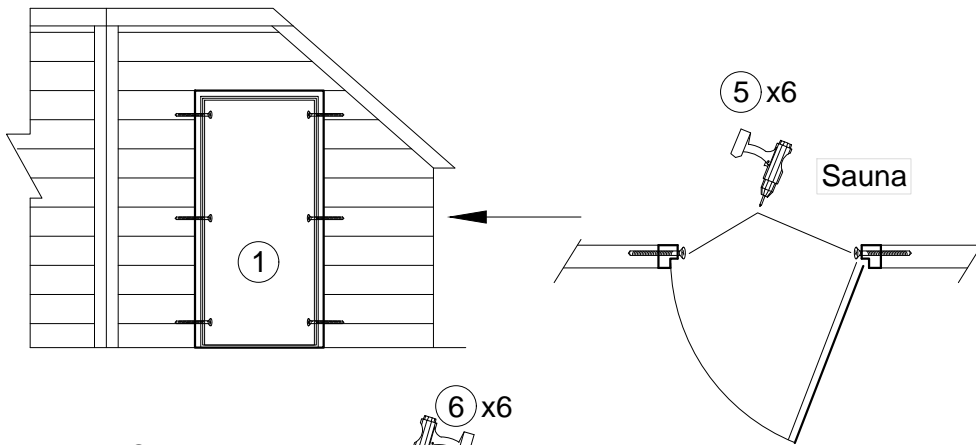
⑤ x6
T-GC-5x100



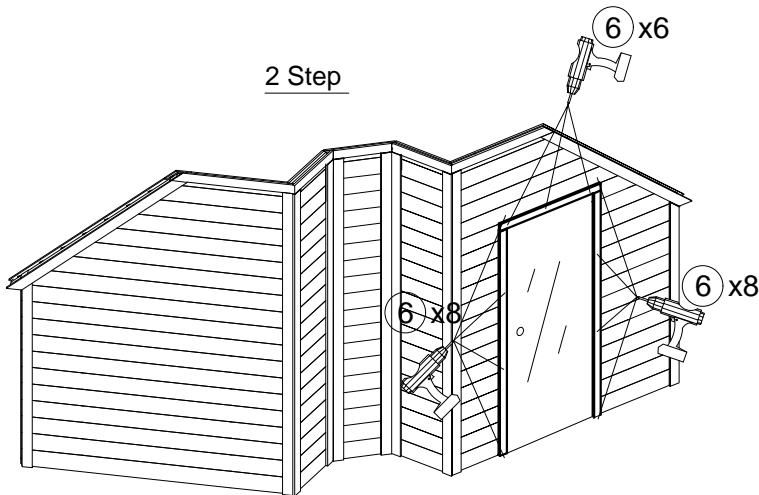
⑥ x48
T-GC-3.5x45



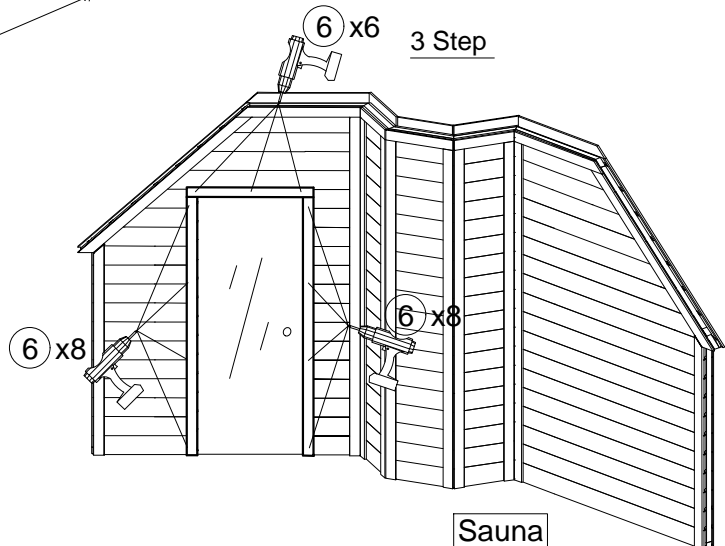
1 Step



2 Step

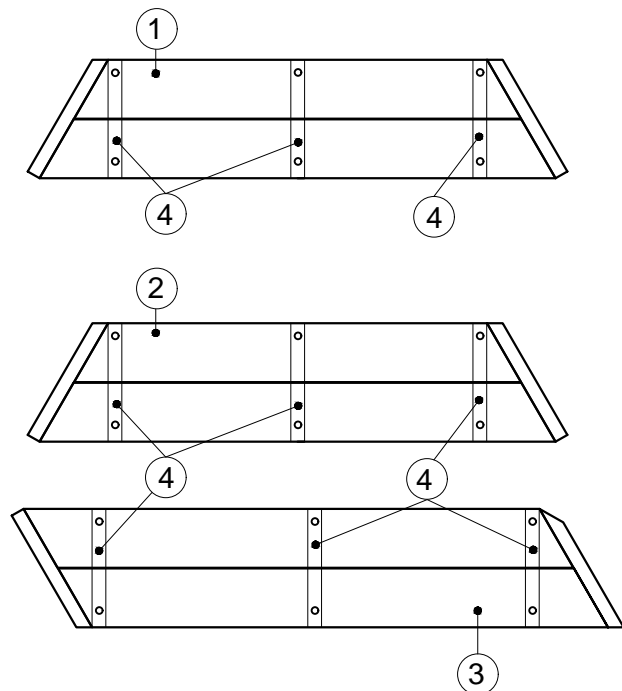
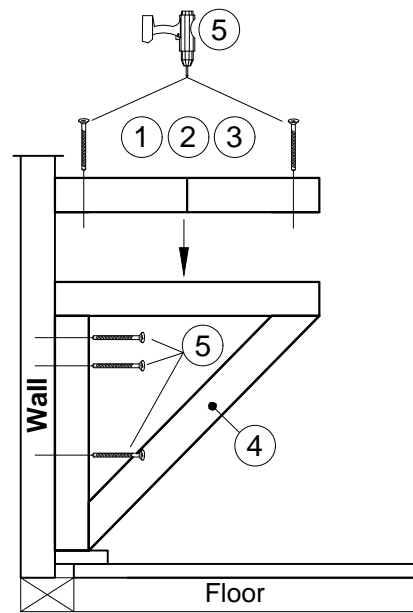
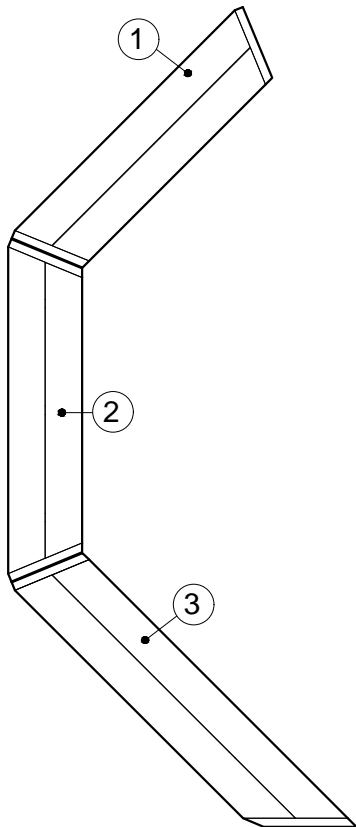
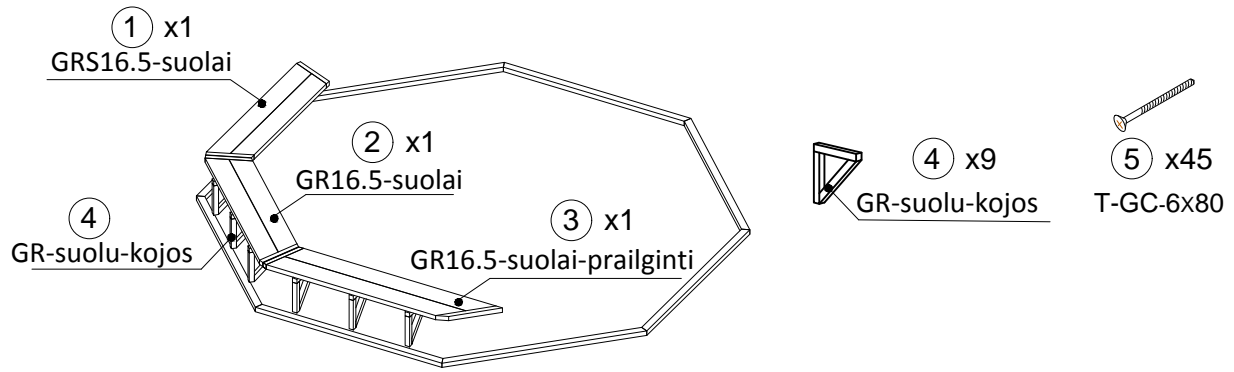


3 Step



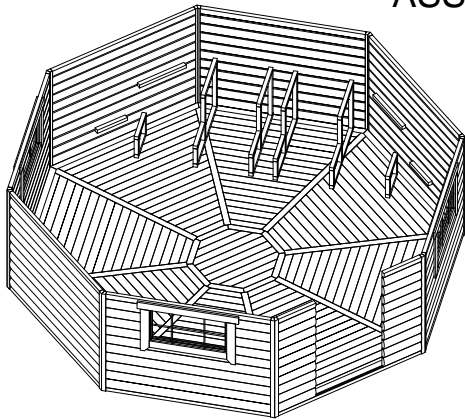
19. Sauna Cabin 16.5 with changing room

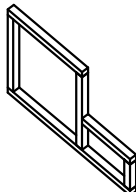

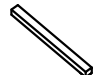
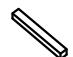

ASSEMBLY OF BENCHES

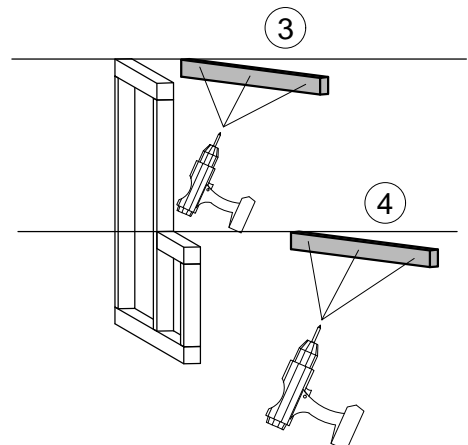
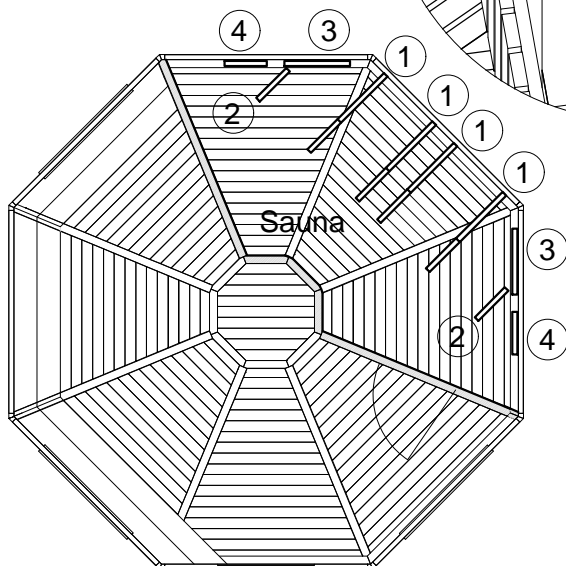
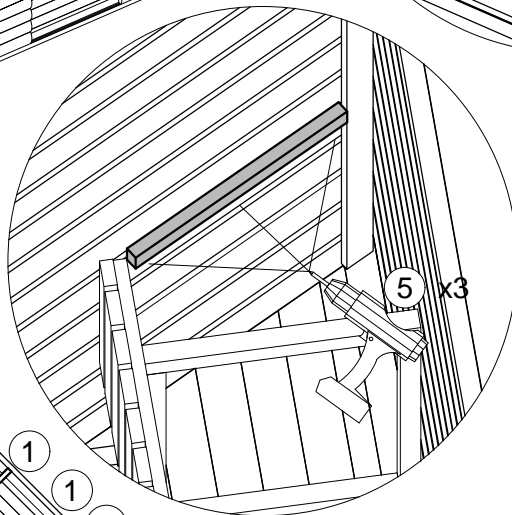
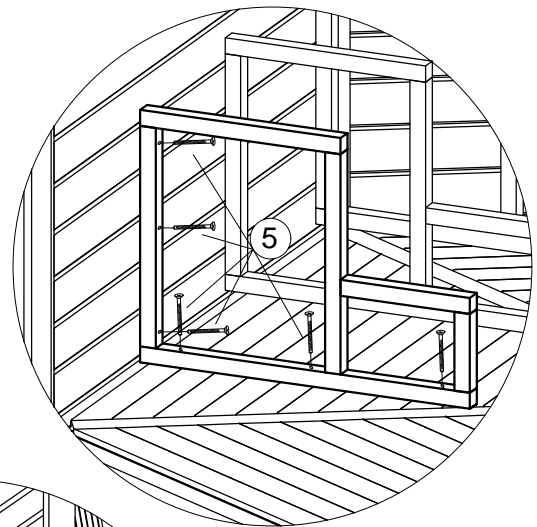
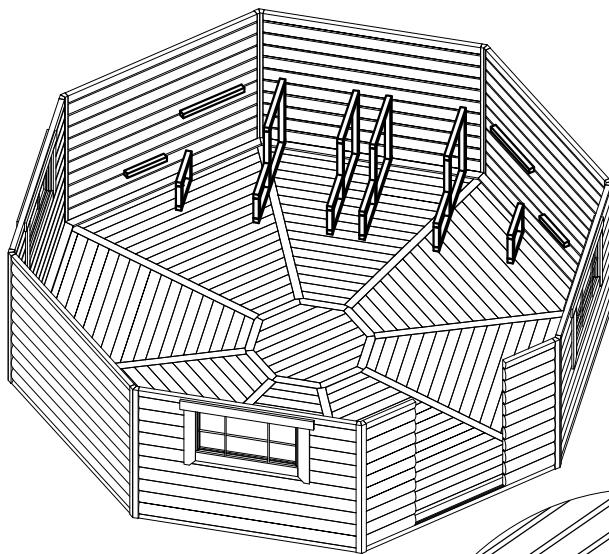


20. Sauna Cabin 16.5 with changing room

ASSEMBLY OF BENCHES

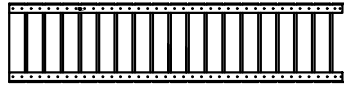
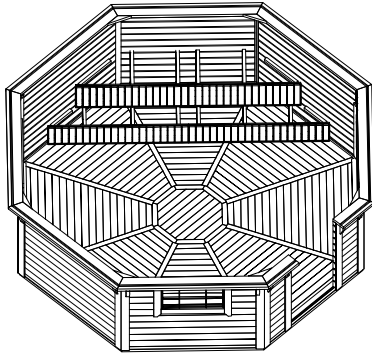


- 
1 x4
 S-koja-954x705
- 
2 x2
 S-koja-310x374
- 
3 x2
 M-45x45x374
- 
4 x2
 M-45x45x580
- 
5 x28
 T-GC-6x80

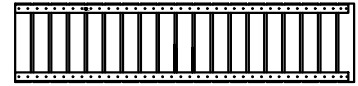


20.1 Sauna Cabin 16.5 with changing room

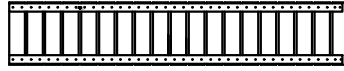
SAUNA BENCHES



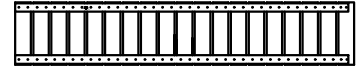
① x1
S16.5-gultas-1487x415



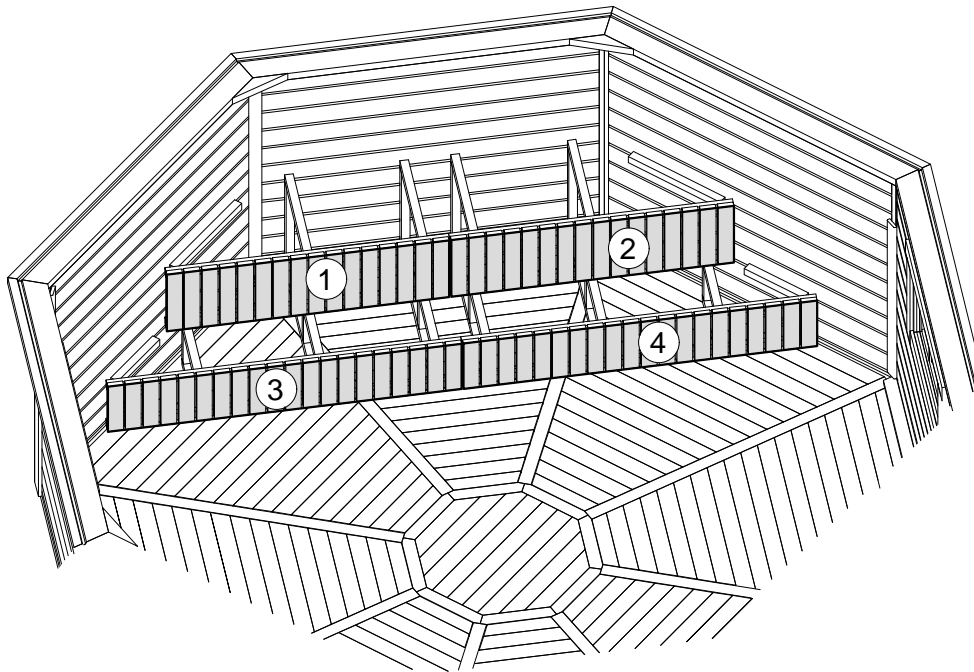
② x1
S16.5-gultas-1487x415



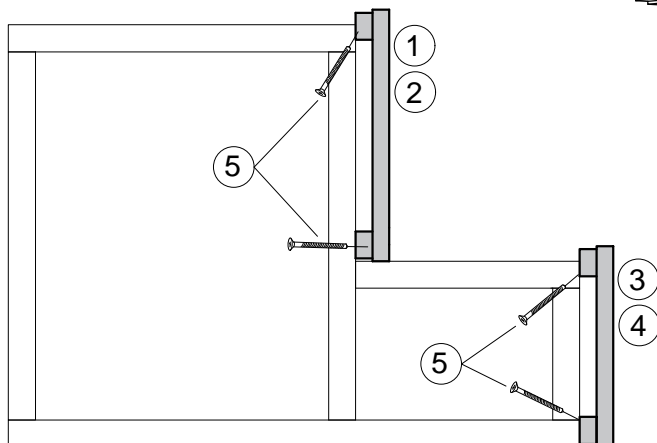
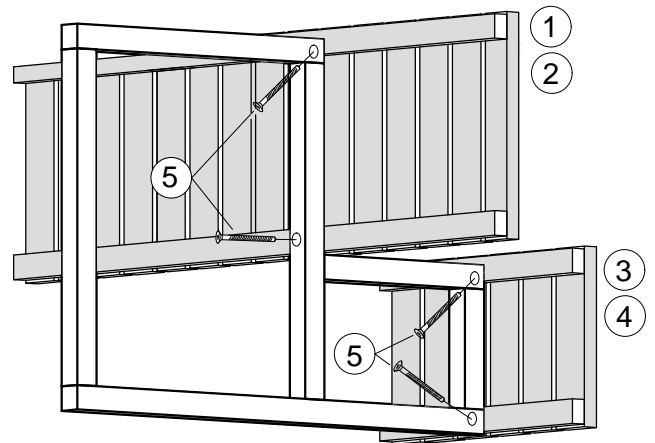
③ x1
S16.5-gultas-1859x330



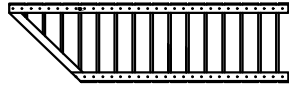
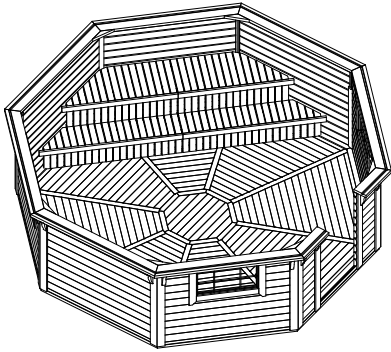
④ x1
S16.5-gultas-1859x330



⑤ x24
T-GC-5x80

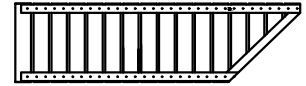


20.2 Sauna Cabin 16.5 with changing room SAUNA BENCHES



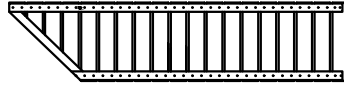
① x1

S16.5-gultas-628x1481



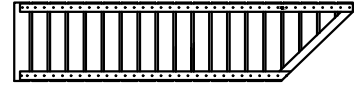
② x1

S16.5-gultas-628x1481



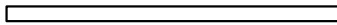
③ x1

S16.5-gultas-373x1854



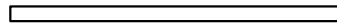
④ x1

S16.5-gultas-373x1854



⑤ x1

Mpl-28x82x1558



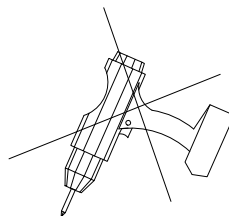
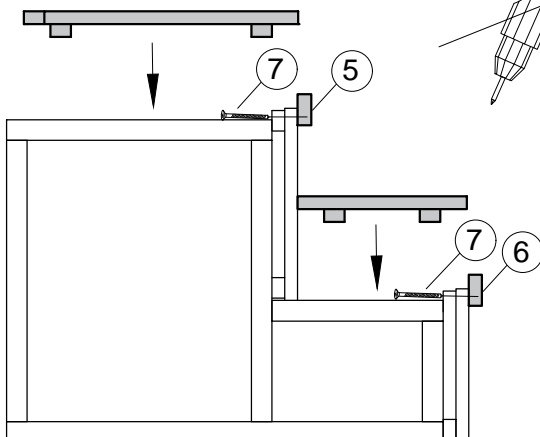
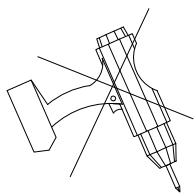
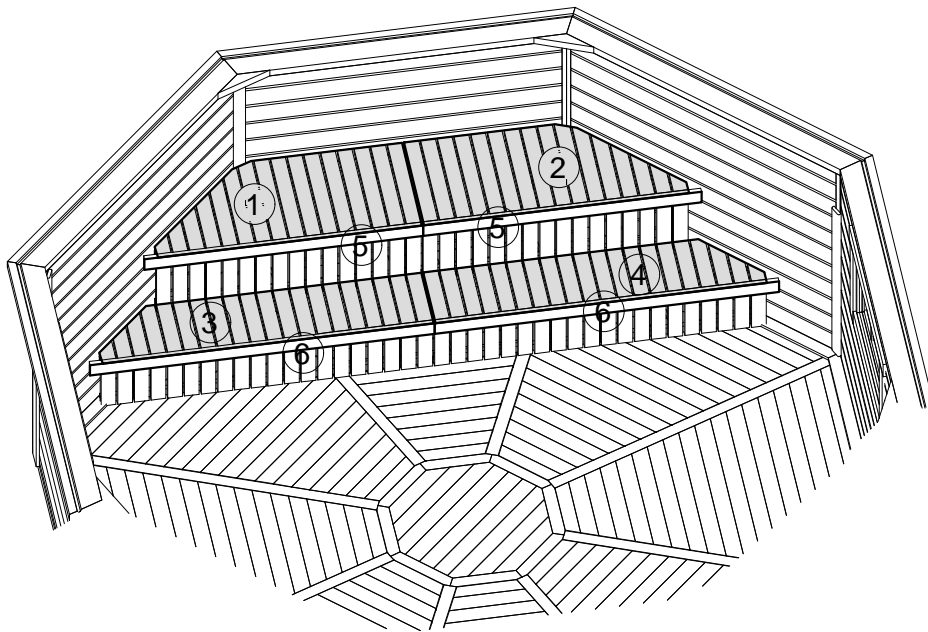
⑥ x1

Mpl-28x82x1926



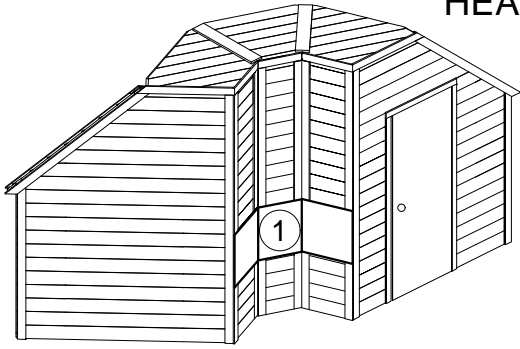
⑦ x30

T-GC-5x80



21. Sauna Cabin 16.5 with changing room

HEAT- RESISTANT PLATES

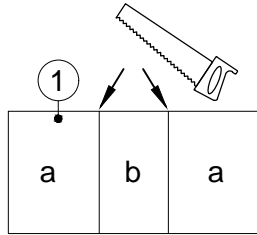


① x2
HEAT- RESISTANT
PLATE

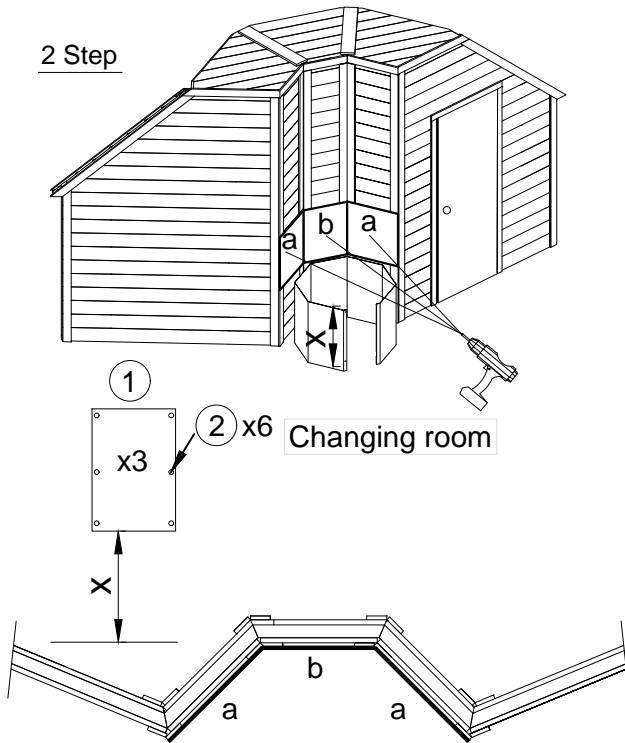


② x28
T-GC-3.5x45

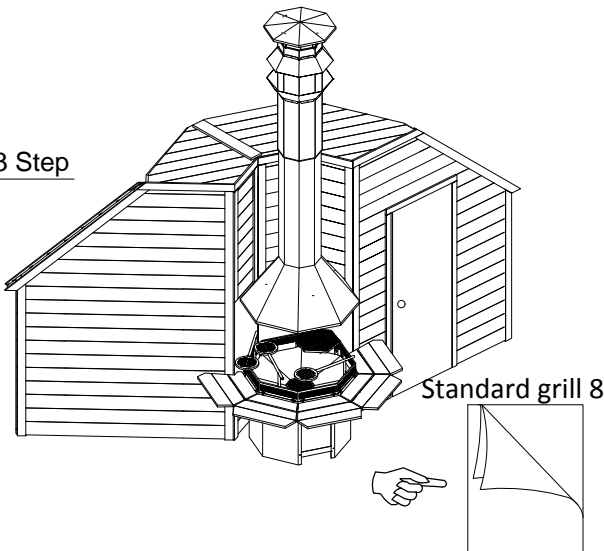
1 Step



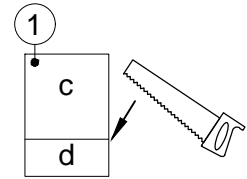
2 Step



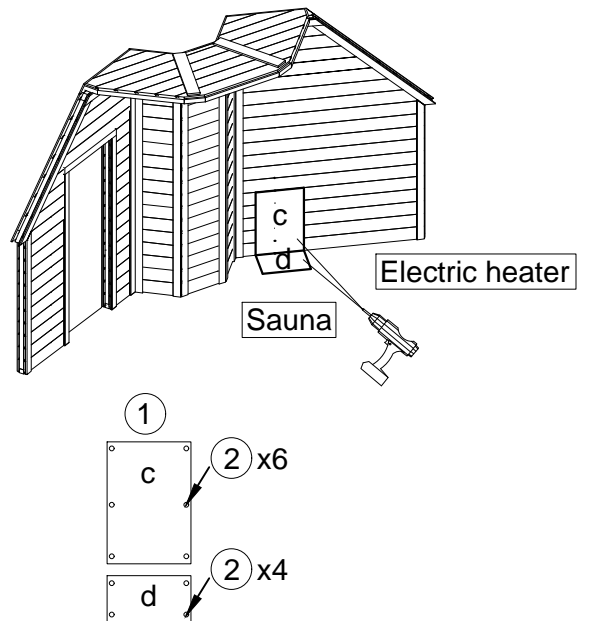
3 Step



1 Step



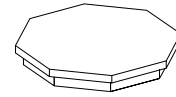
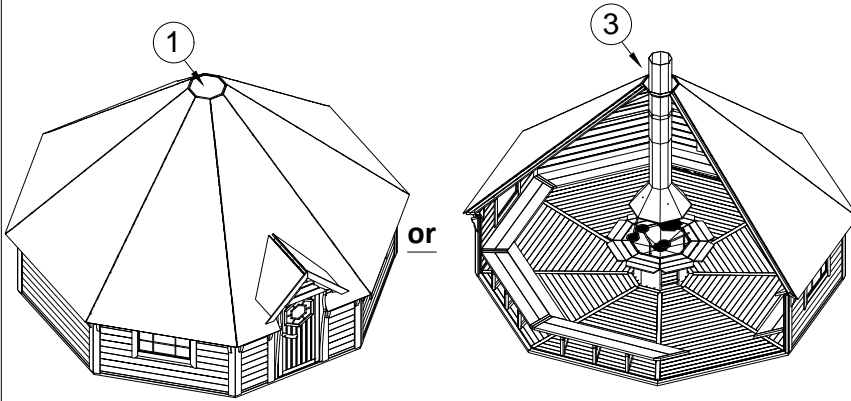
2 Step



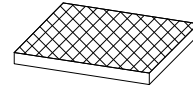
ATTENTION !

FOLLOW THE MANUFACTURER'S
RECOMENDATIONS WHEN INSTALLING
THE SAUNA HEATER

22. Grill / Camping / Sauna Cabin 16.5

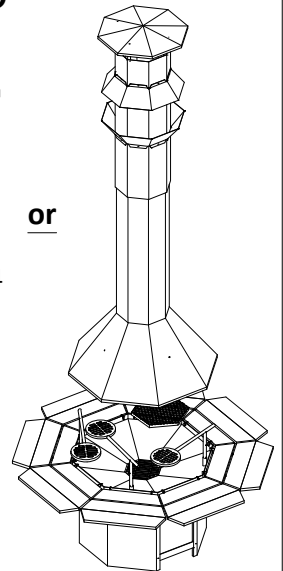


① x1
GR8k-Stog-
dangtis-511x554



If insulated roof

② x1
Akmens vata

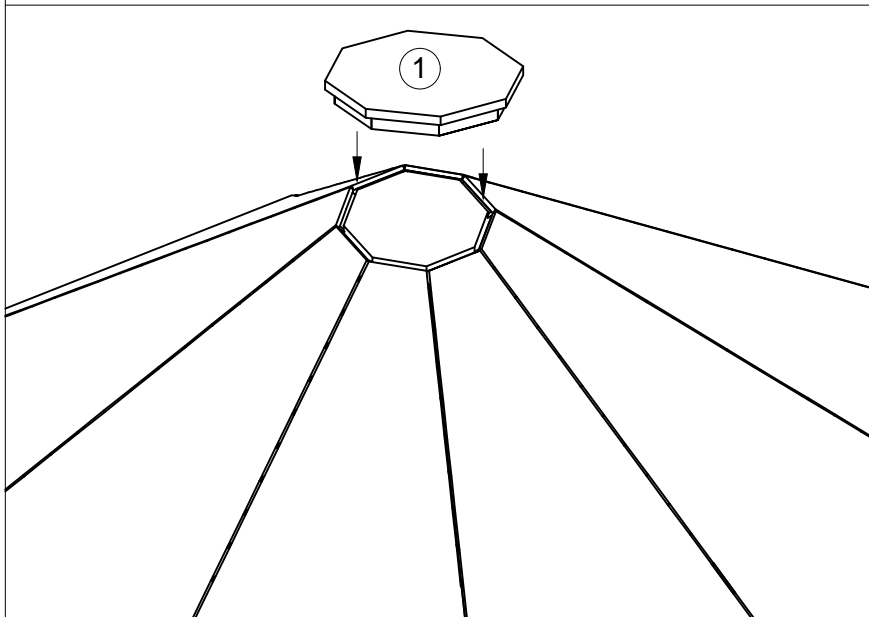
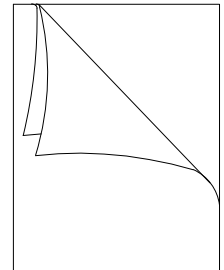


or

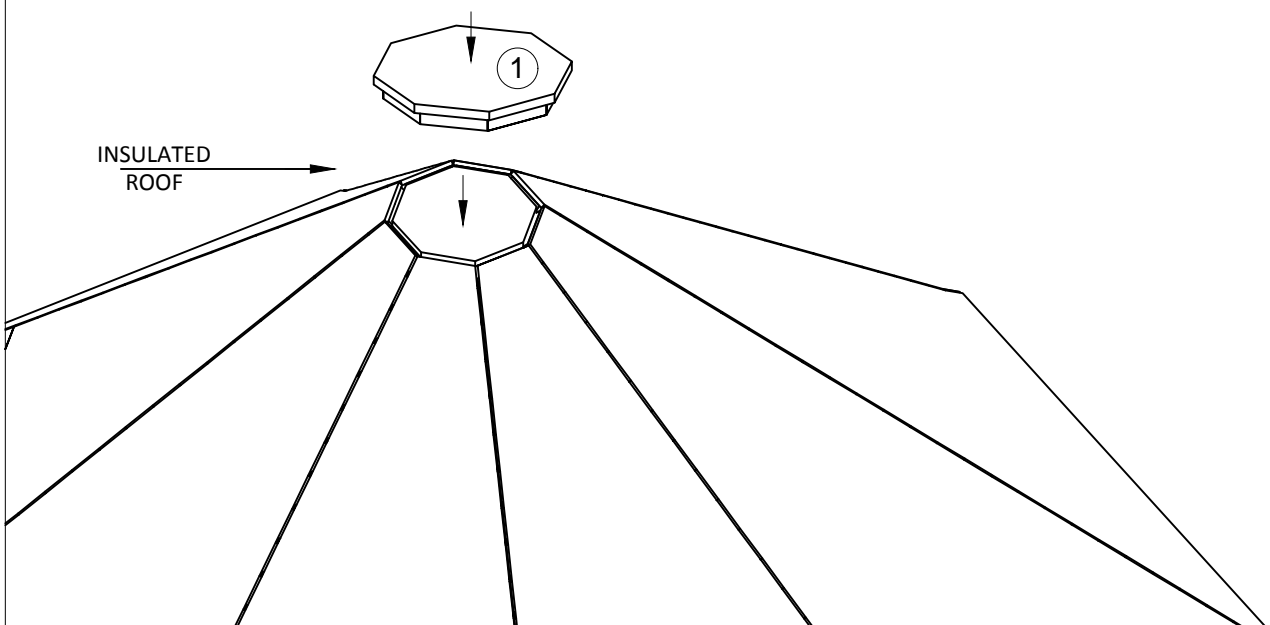
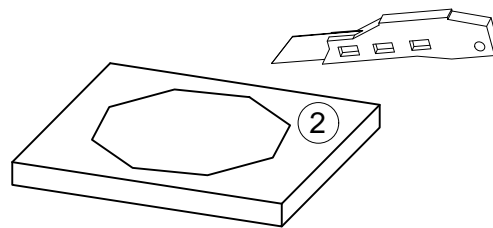
③ x1
GRC08
or
GRCV01
or
GRL06
or
GRP08



Standard grill 8

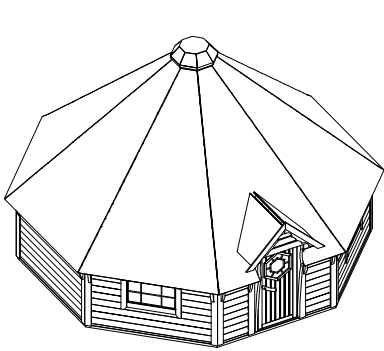


or

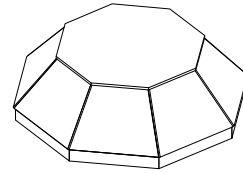
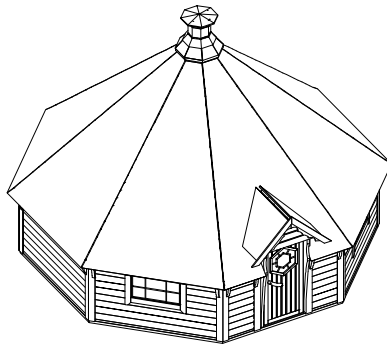


23. Grill / Camping / Sauna Cabin 16.5

ROOF HAT



or

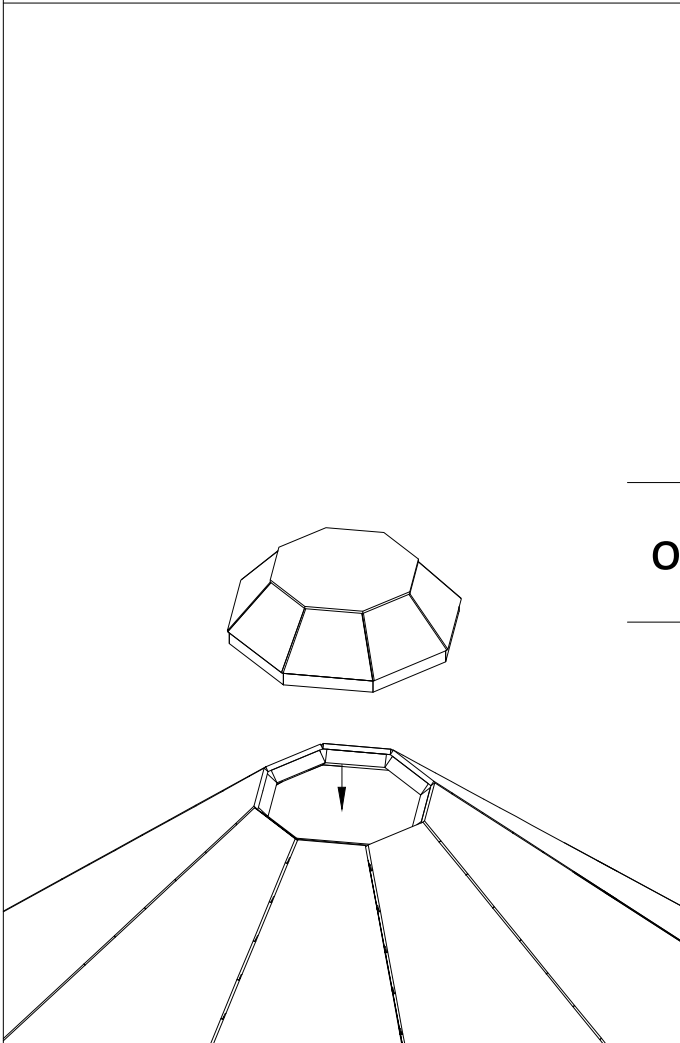


① x1

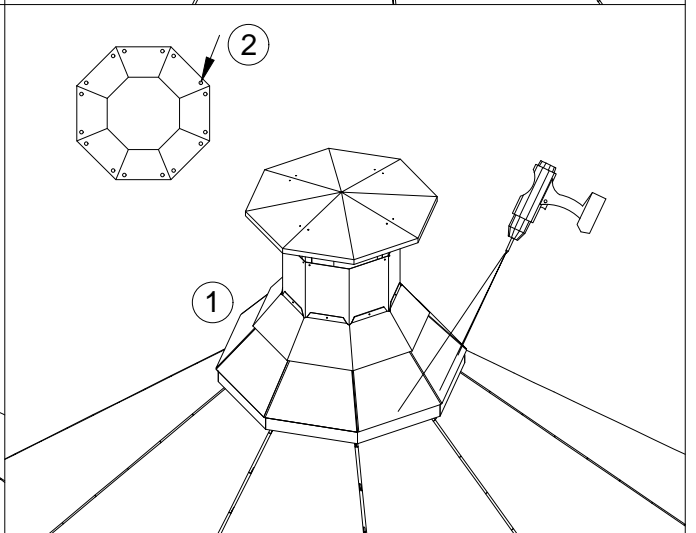
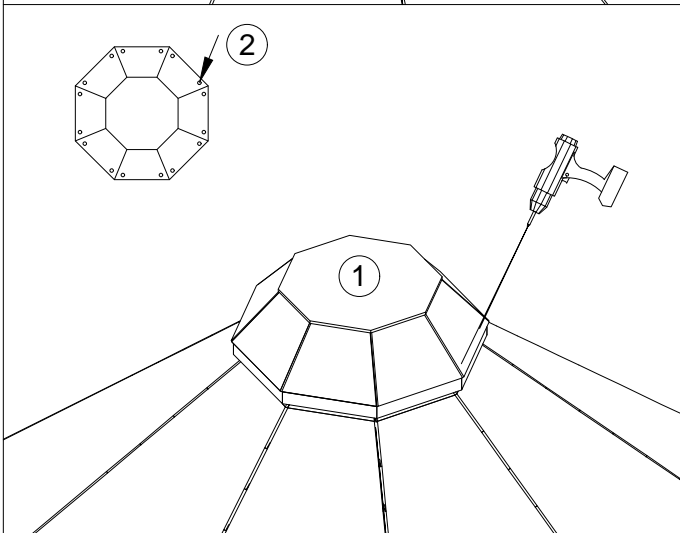
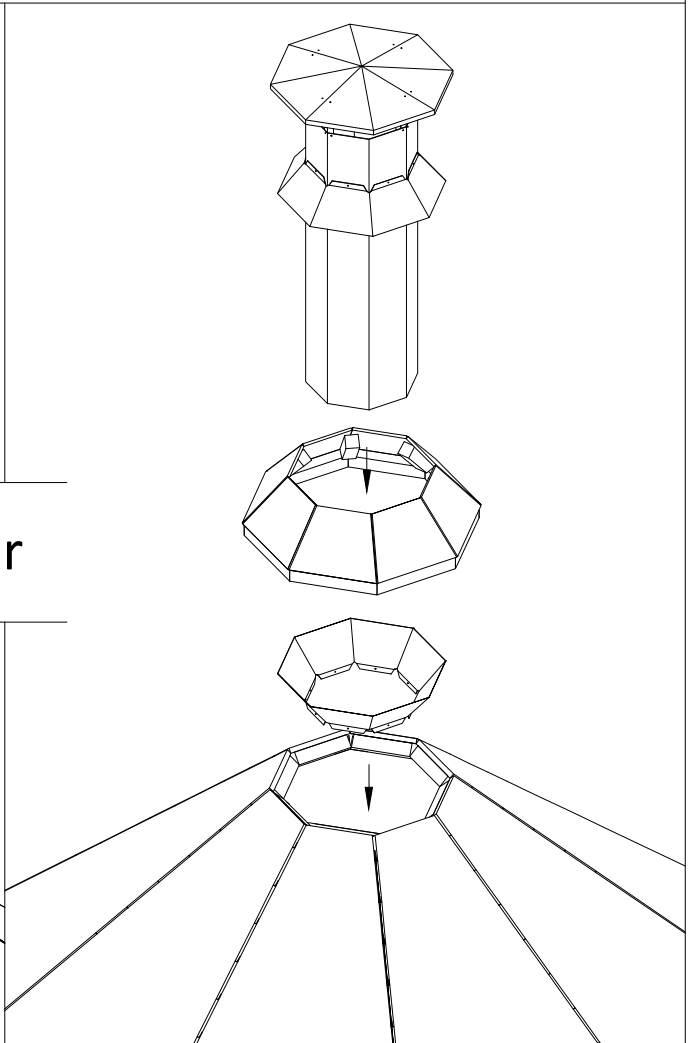
② x16

GR8k-Kepures-dangtis
or
GR8k-Kepure

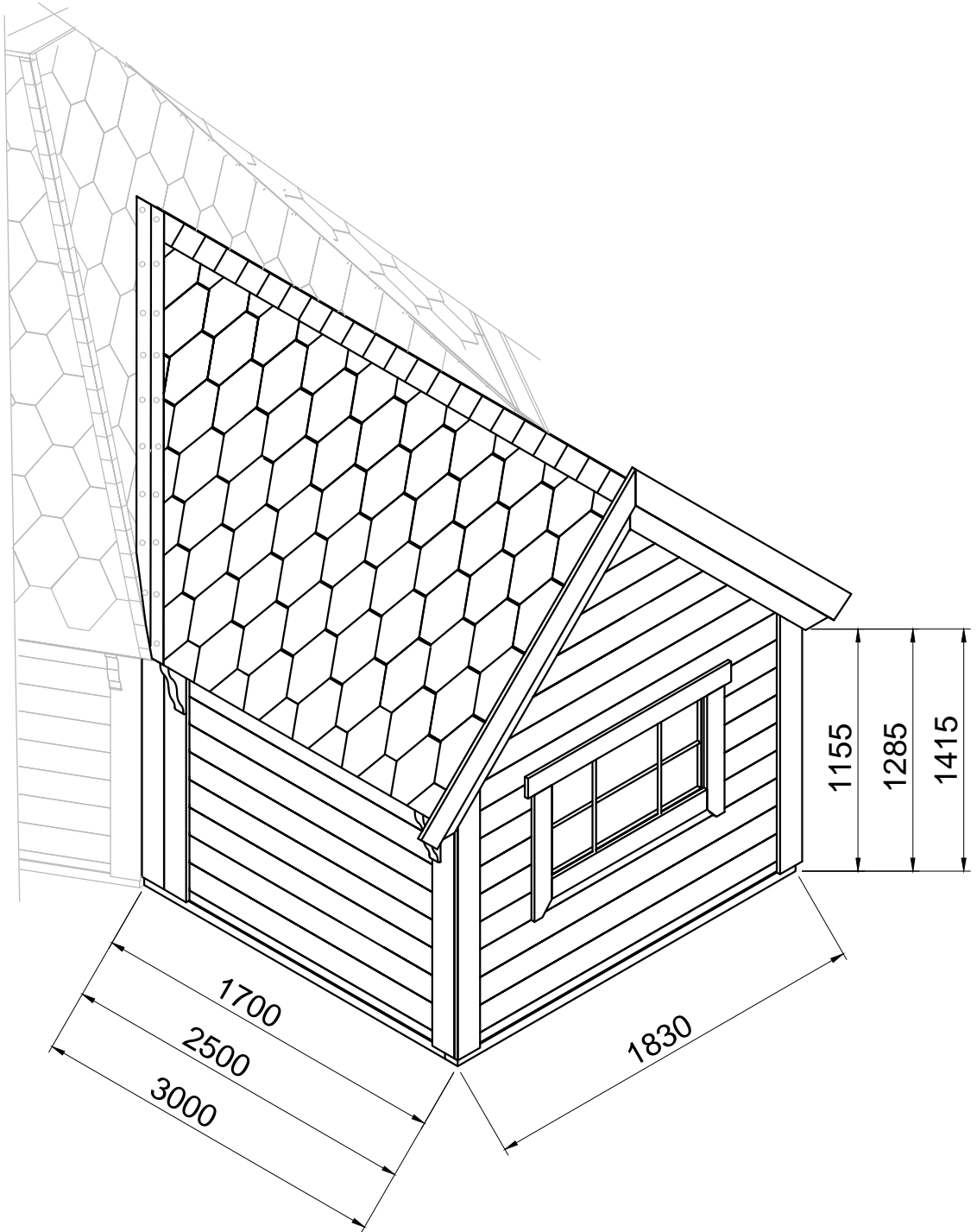
T-GC-4x70



or

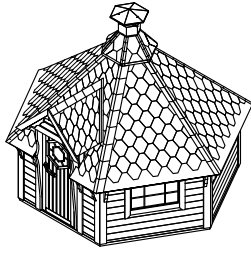


EXTENSION (3m²); (4.3m²); (5.2m²)

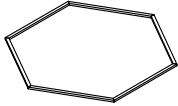


Stages of assembly

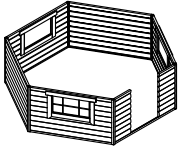
Grill



1. Step:
wood ring



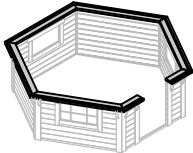
2. Step:
walls



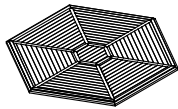
3. Step:
decoration (support)



4. Step:
roof support ring



5. Step:
floors



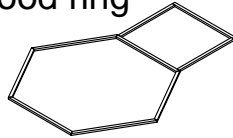
6. Step:
roof



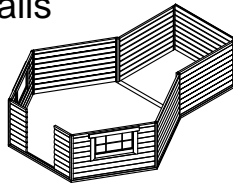
Grill+Extension



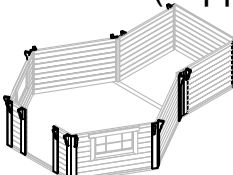
1. Step:
wood ring



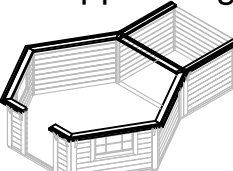
2. Step:
walls



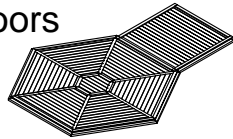
3. Step:
decoration (support)



4. Step:
roof support ring



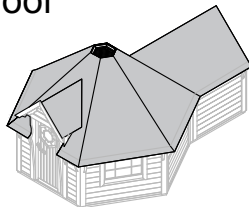
5. Step:
floors



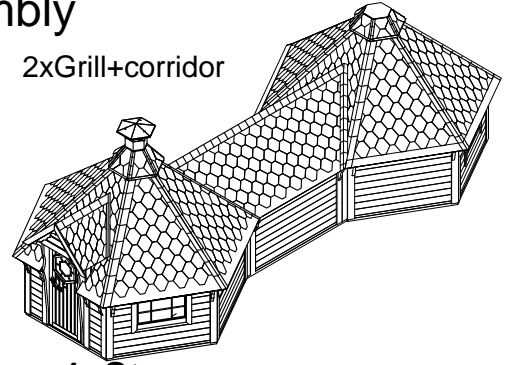
6. Step:
inside wall



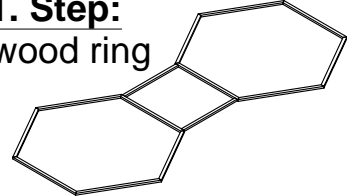
7. Step:
roof



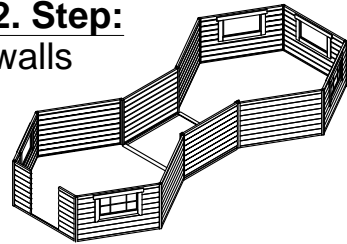
2xGrill+corridor



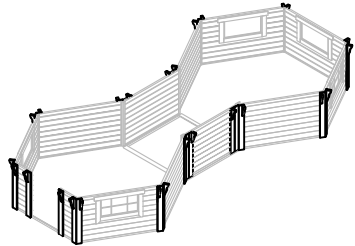
1. Step:
wood ring



2. Step:
walls



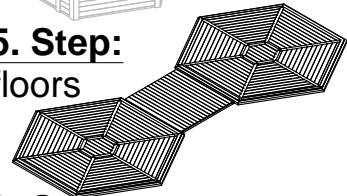
3. Step:
decoration (support)



4. Step:
roof support ring



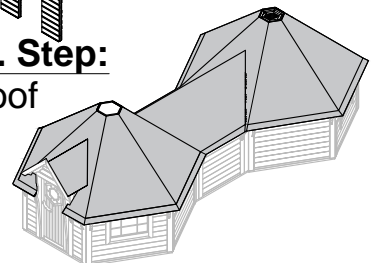
5. Step:
floors



6. Step:
inside wall



7. Step:
roof



Extension Foundation

It is very important to have a proper foundation.

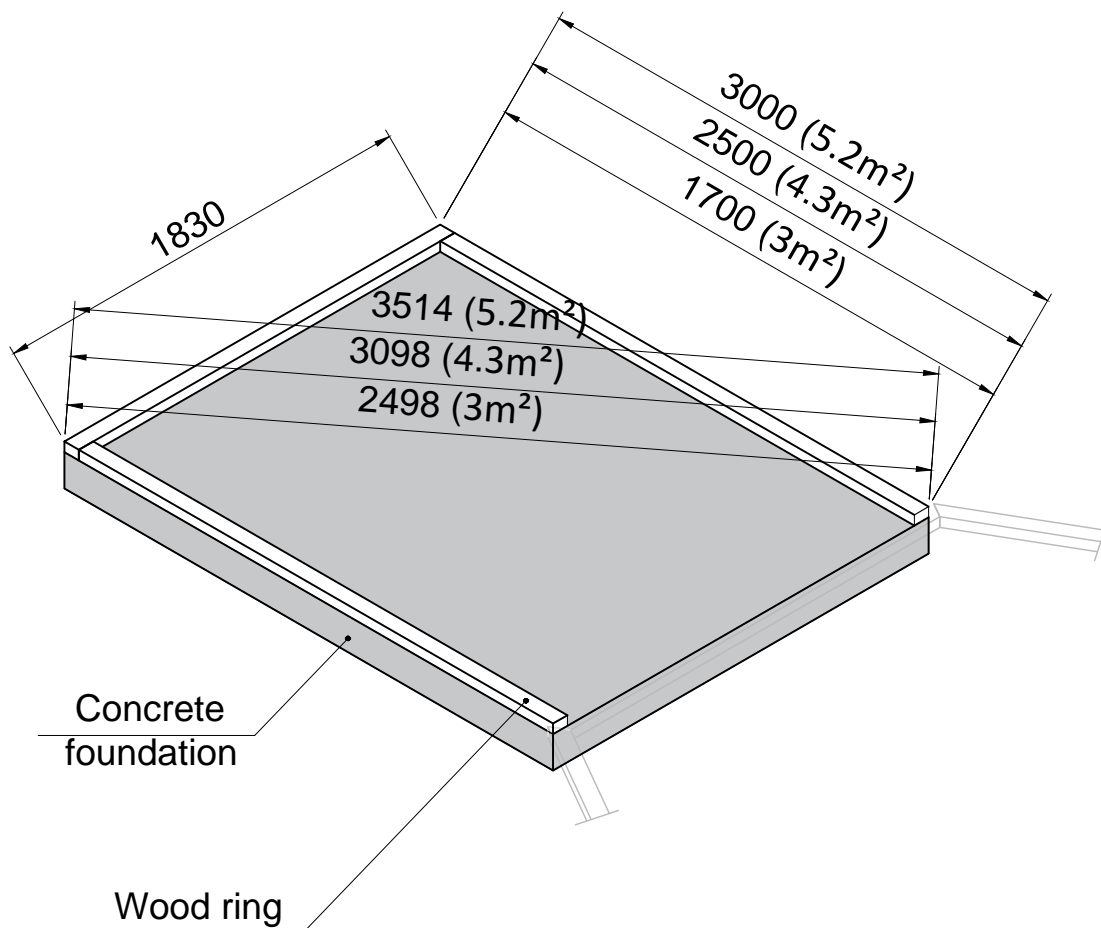
Therefore we recommend making the foundation according to the sketches here. First of all, foundation must be prepared according to the landscape and ground conditions.

The foundation under the product must be prepared specially, it must be homogeneous, tight and equal. It must be ensured that it will not change its properties. We recommend using concrete foundation. Before installation of product, we recommend to make hydro isolation of foundation.

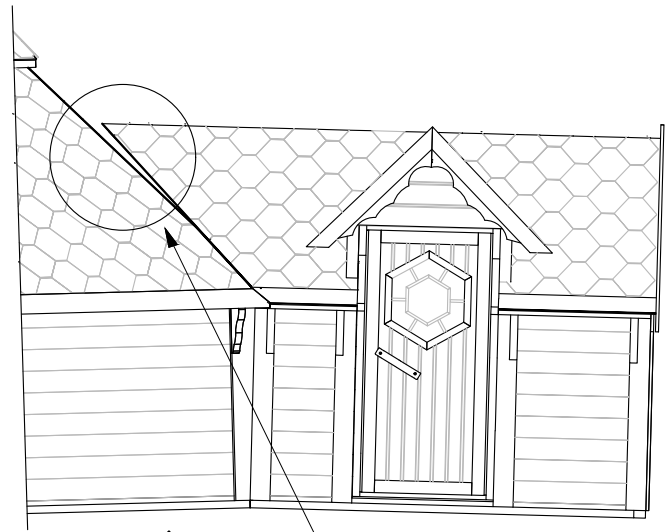
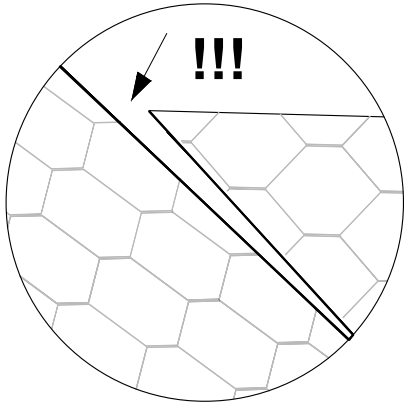
Consult a local qualified builder or an engineer to prepare a proper foundation, which fits to your location.

Due to improper foundation, cracks in the structures may occur. Due to uneven product seating, the geometric shape of the product may change, which can result in door / window twist, or/and gap may appear. And in the worst case product 's collapse.

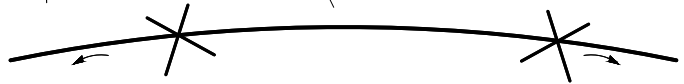
If you do not follow recommendation, product will lose its warranty.



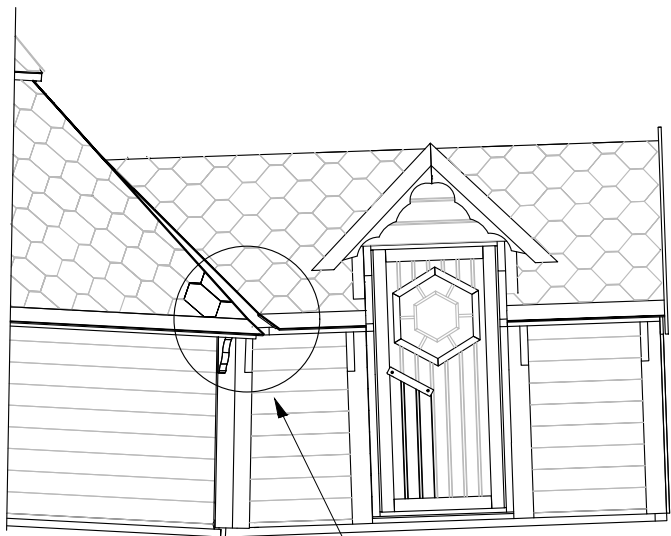
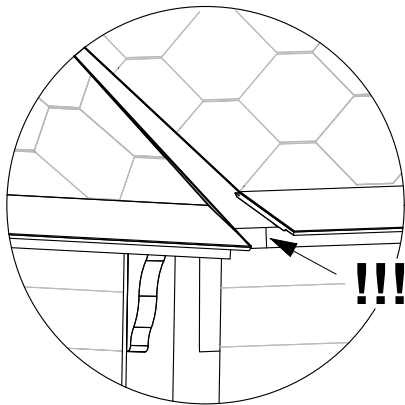
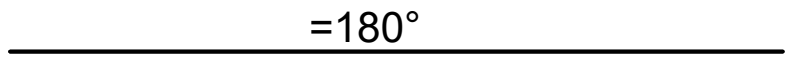
ATTENTION !!!



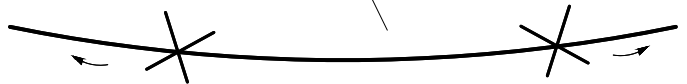
BAD foundation →



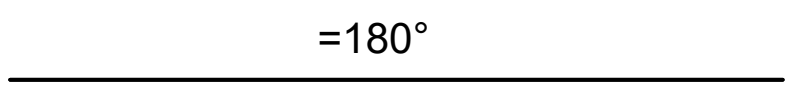
GOOD foundation →



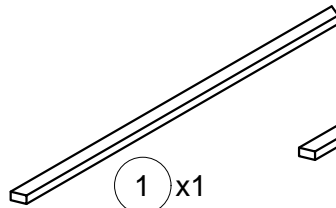
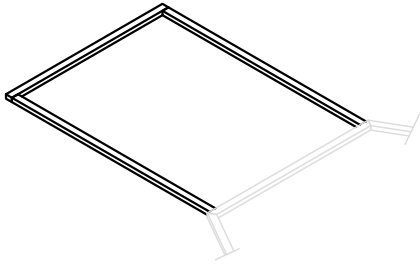
BAD foundation →



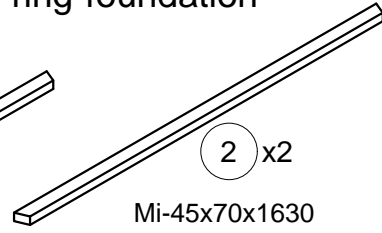
GOOD foundation →



Extension Wood ring-foundation



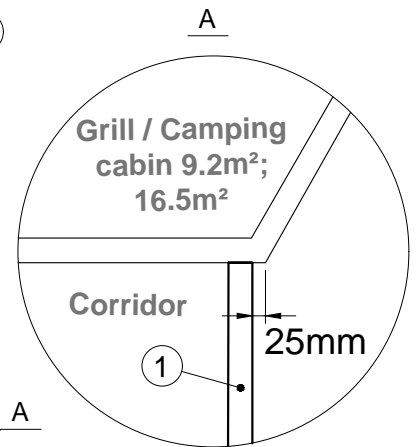
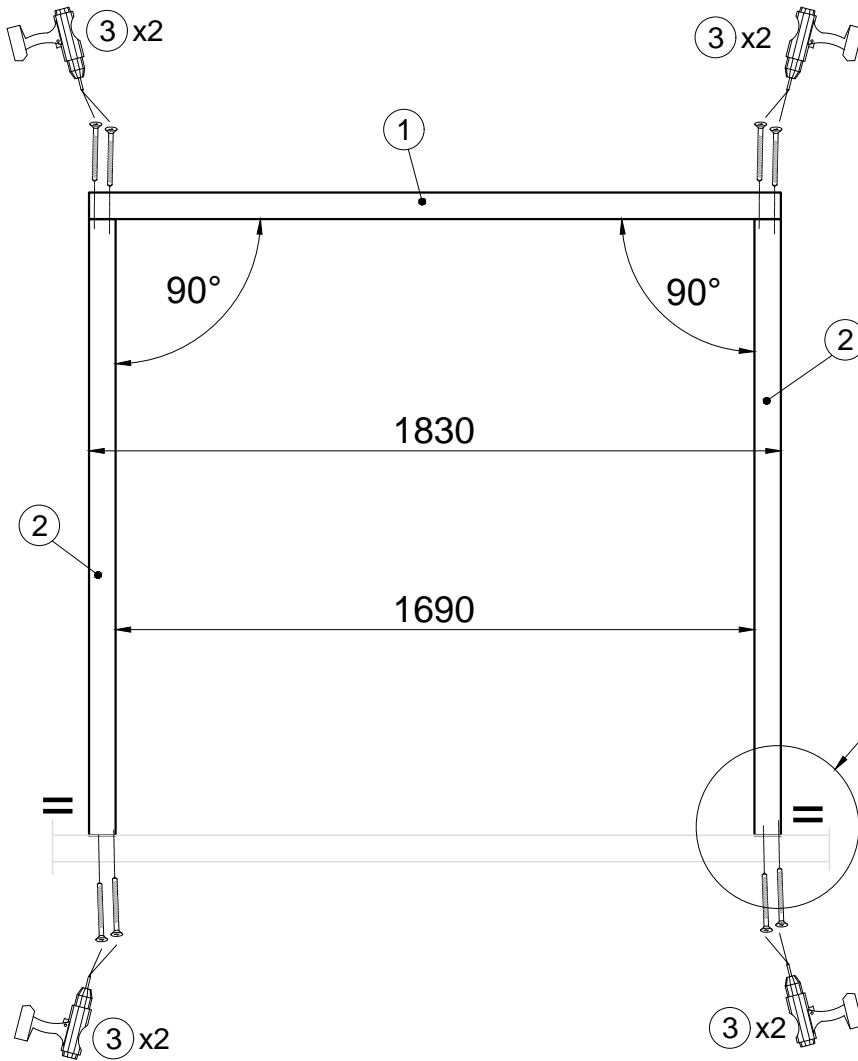
① x1
Mi-45x70x1830



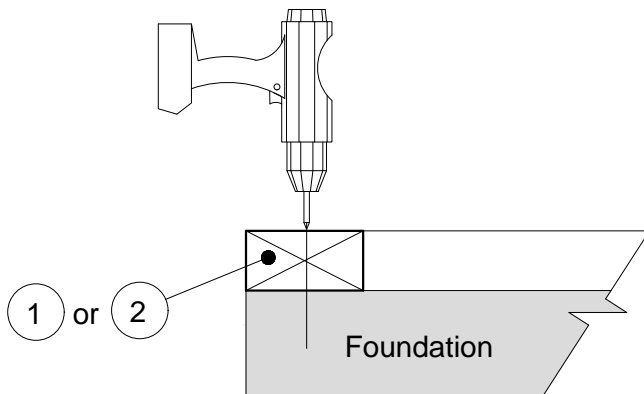
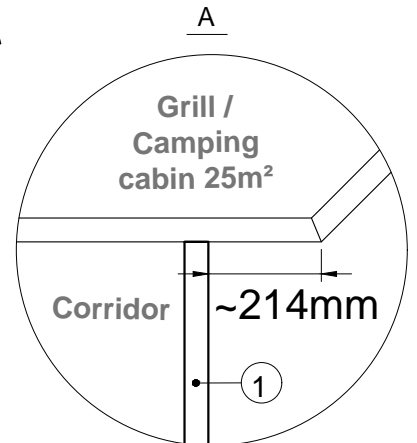
② x2
Mi-45x70x1630
or
Mi-45x70x2430
or
Mi-45x70x2930



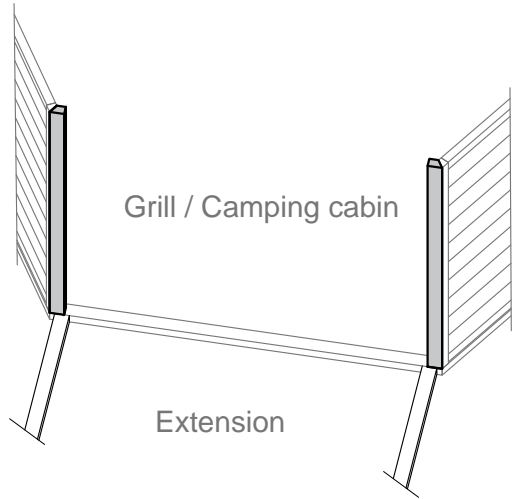
③ x8
T-GC-5x100



OR



1. Extension WALLS CONNECTION

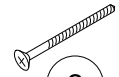


① x2

M-45x70x1155-1x30F
or
M-45x70x1155-1x22.5F

M-45x70x1285-1x30F
or
M-45x70x1285-1x22.5F

M-45x70x1415-1x30F
or
M-45x70x1415-1x22.5F



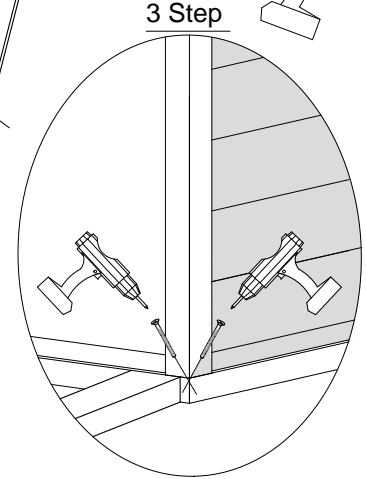
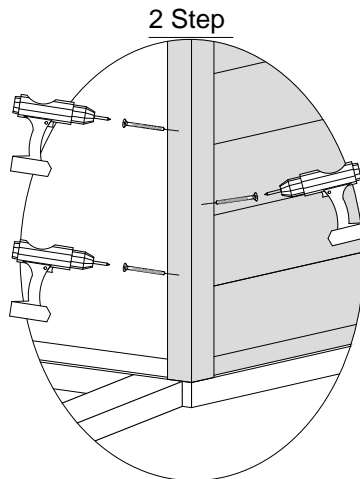
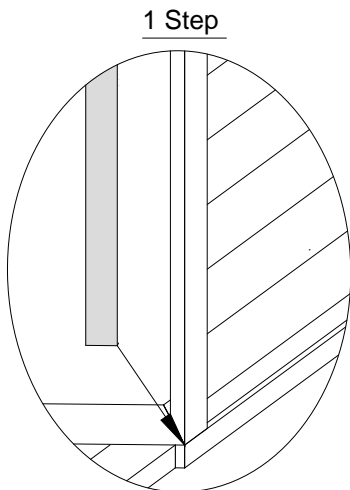
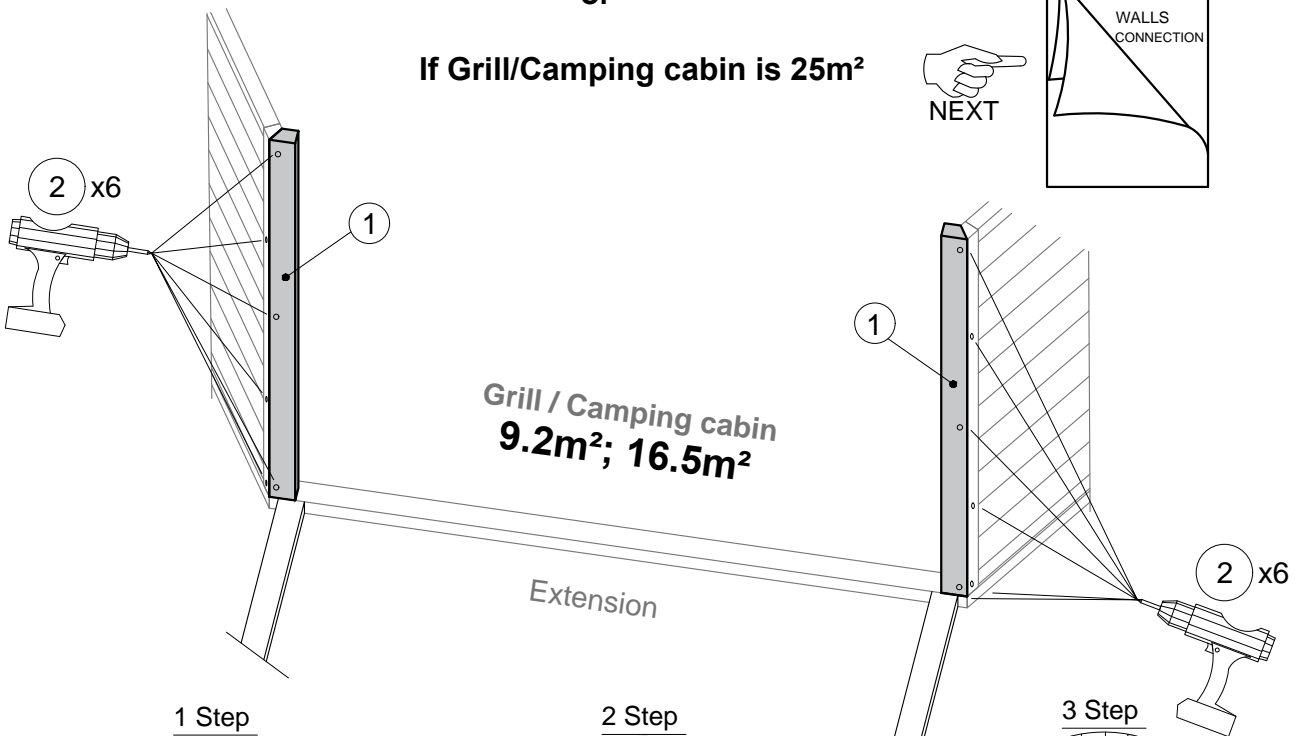
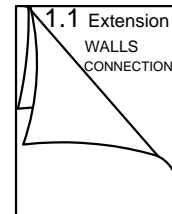
② x12

T-GC-5x100

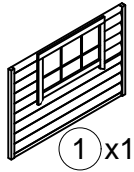
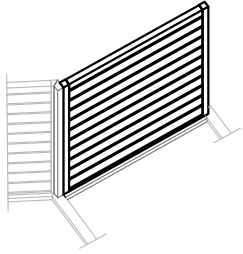
M-45x70x1155-1x30F
M-45x70x1285-1x30F - if Grill/Camping cabin is 9.2m²
M-45x70x1415-1x30F
 or
M-45x70x1155-1x22.5F
M-45x70x1285-1x22.5F - if Grill/Camping cabin is 16.5m²
M-45x70x1415-1x22.5F

or

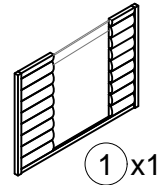
If Grill/Camping cabin is 25m²



1.1 Extension WALLS CONNECTION

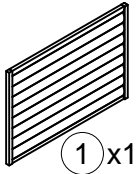


or

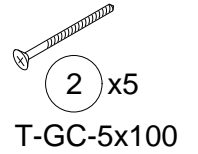
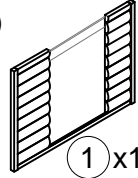


GR-EX-SSL-1155x1655(2455;2955)
or
GR-EX-SSL-1285x1655(2455;2955)
or
GR-EX-SSL-1415x1655(2455;2955)

GR-EX-SSD-1285x1655(2455;2955)-A1070-(k)
or
GR-EX-SSD-1415x1655(2455;2955)-A1070-(k)

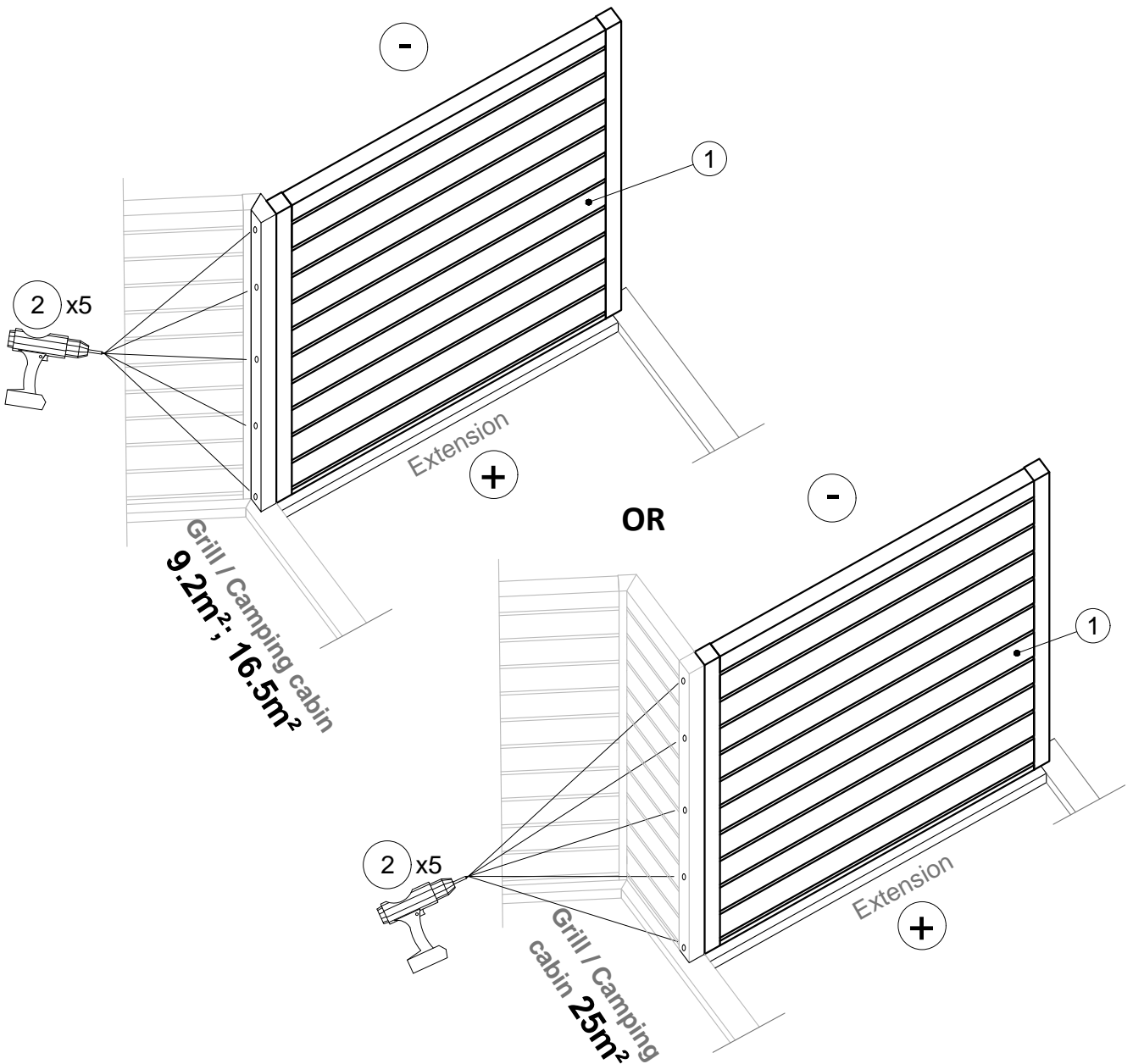


or

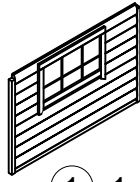
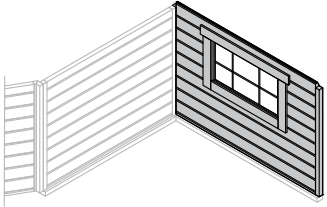


GR-EX-SS-1155x1655(2455;2955)
or
GR-EX-SS-1285x1655(2455;2955)
or
GR-EX-SS-1415x1655(2455;2955)

GR-EX-SSD-1155x1655(2455;2955)-A850-(k)
or
GR-EX-SSD-1285x1655(2455;2955)-A850-(k)
or
GR-EX-SSD-1415x1655(2455;2955)-A850-(k)



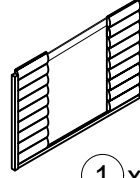
1.2 Extension WALLS CONNECTION



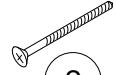
① x1

or

GR-EX-GSL-1210x1830
or
GR-EX-GSL-1340x1830
or
GR-EX-GSL-1470x1830

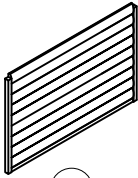


① x1



② x7

T-GC-5x100

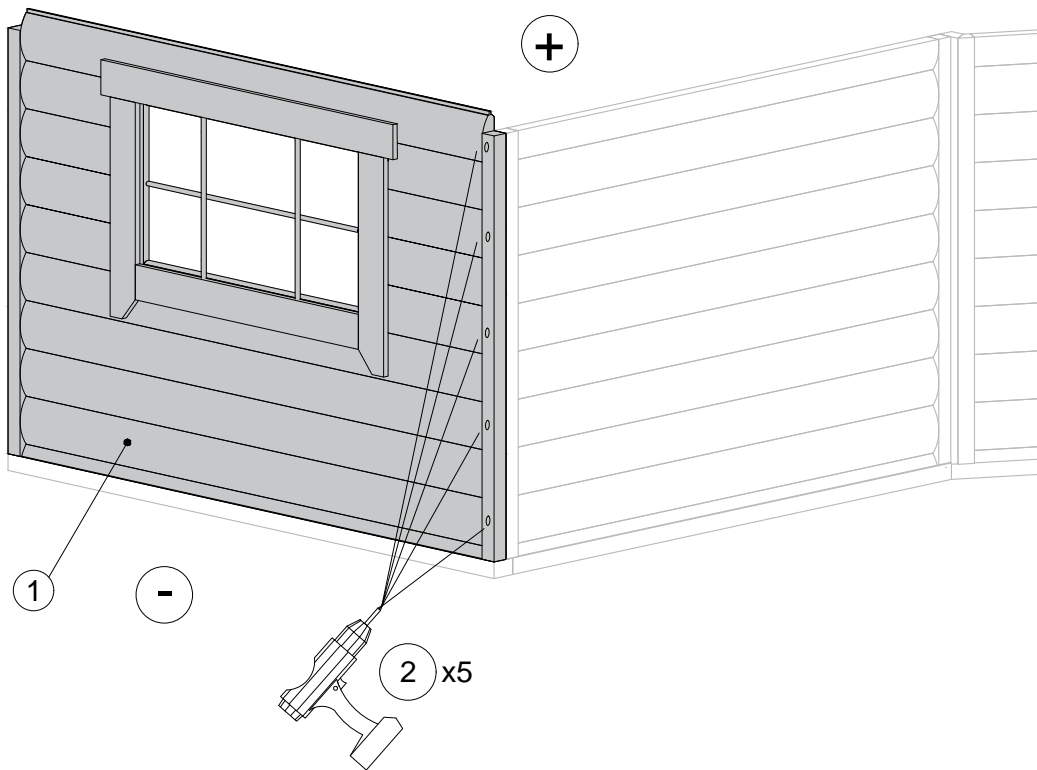


① x1

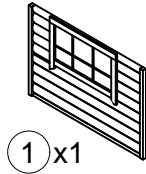
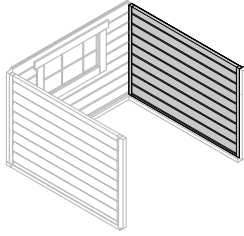
GR-EX-GS-1210x1830
or
GR-EX-GS-1340x1830
or
GR-EX-GS-1470x1830

or

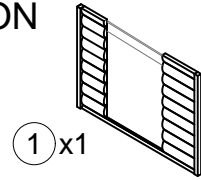
GR-EX-GSD-1210x1830-A796
or
GR-EX-GSD-1340x1830-A796
or
GR-EX-GSD-1340x1830-A1010
or
GR-EX-GSD-1470x1830-A796
or
GR-EX-GSD-1470x1830-A1010



1.3 Extension WALLS CONNECTION

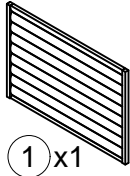


or

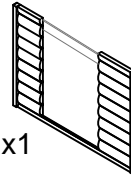


GR-EX-SSL-1155x1655(2455;2955)
or
GR-EX-SSL-1285x1655(2455;2955)
or
GR-EX-SSL-1415x1655(2455;2955)

GR-EX-SSD-1285x1655(2455;2955)-A1070-(d)
or
GR-EX-SSD-1415x1655(2455;2955)-A1070-(d)

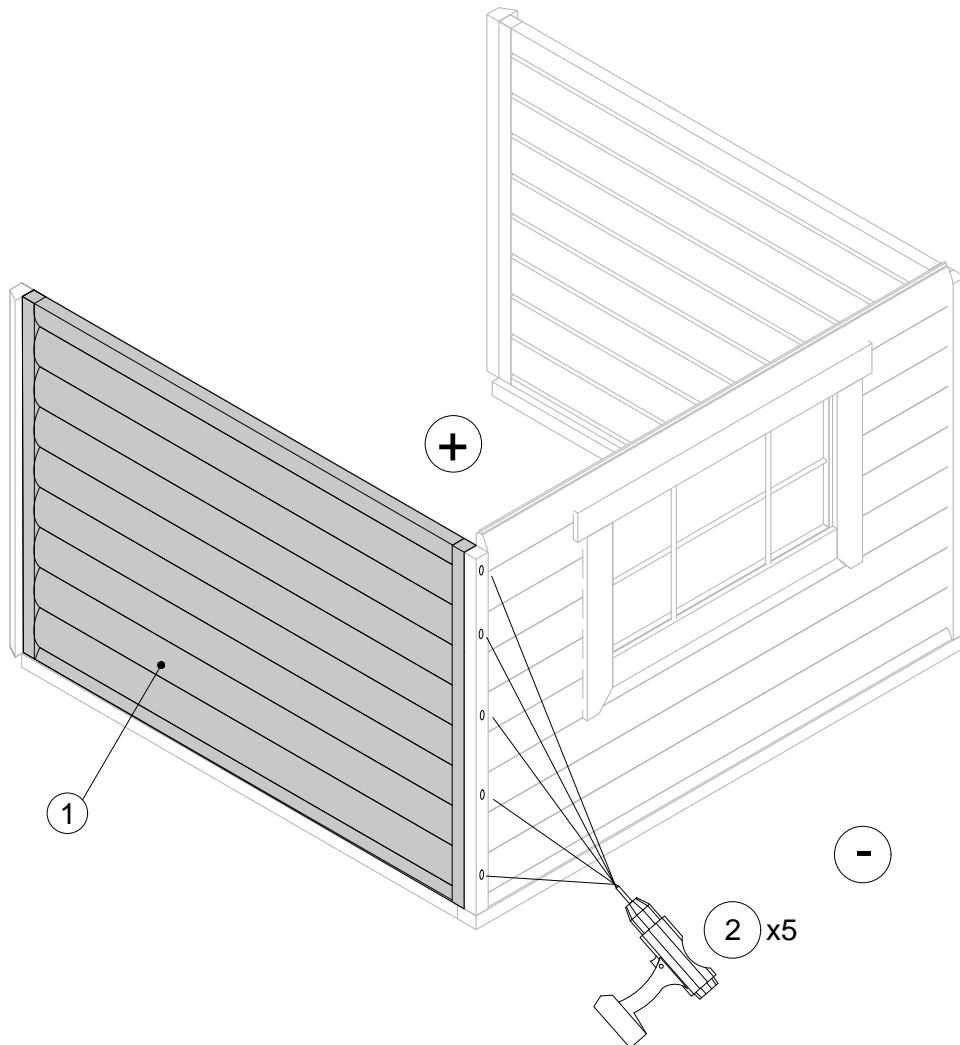
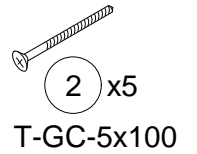


or

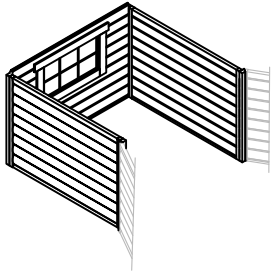


GR-EX-SS-1155x1655(2455;2955)
or
GR-EX-SS-1285x1655(2455;2955)
or
GR-EX-SS-1415x1655(2455;2955)

GR-EX-SSD-1155x1655(2455;2955)-A850-(d)
or
GR-EX-SSD-1285x1655(2455;2955)-A850-(d)
or
GR-EX-SSD-1415x1655(2455;2955)-A850-(d)



1.4 Extension WALLS CONNECTION

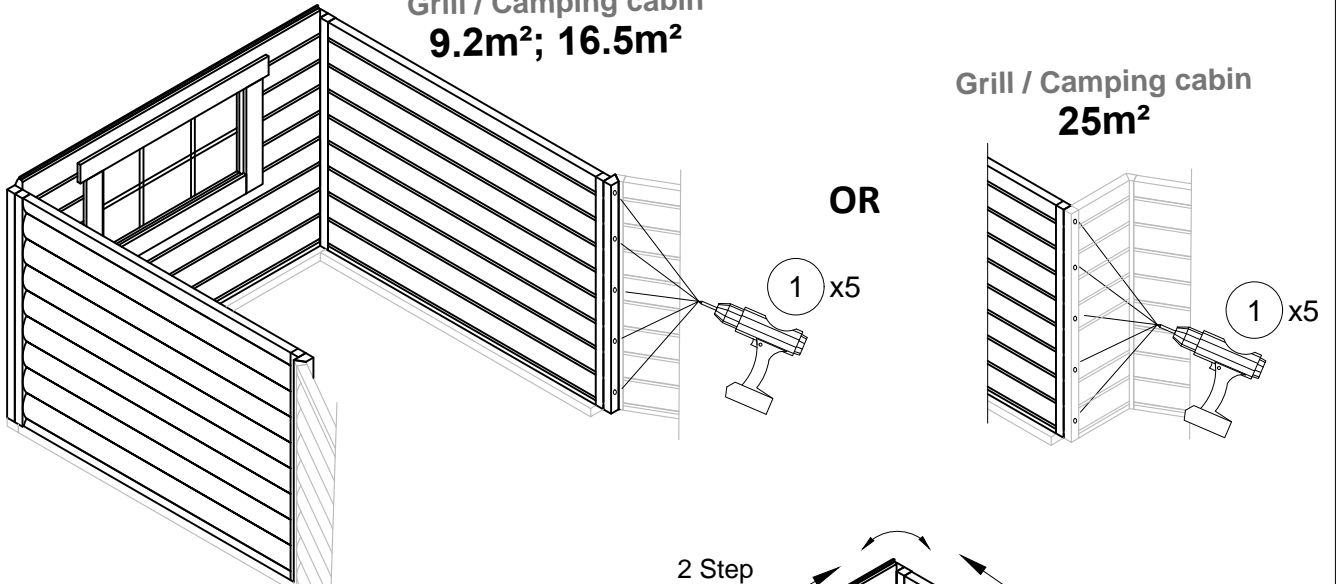


1 x11
T-GC-5x100

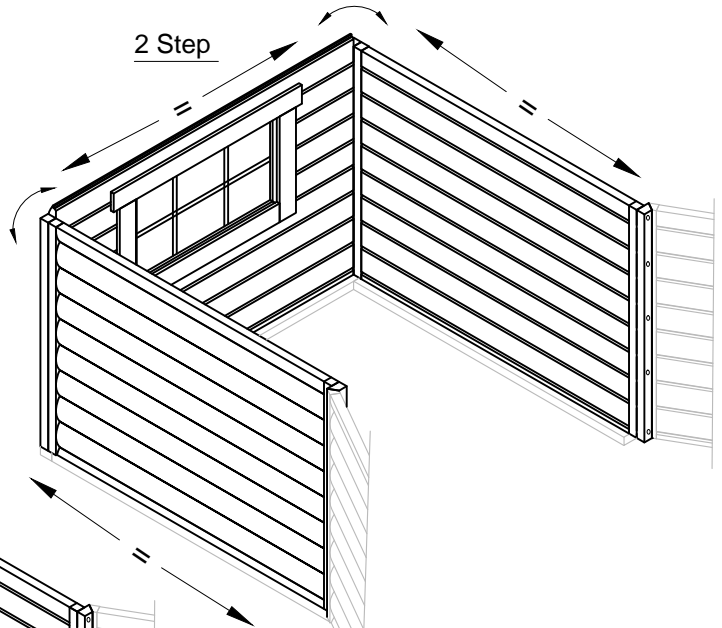
1 Step

Grill / Camping cabin
9.2m²; 16.5m²

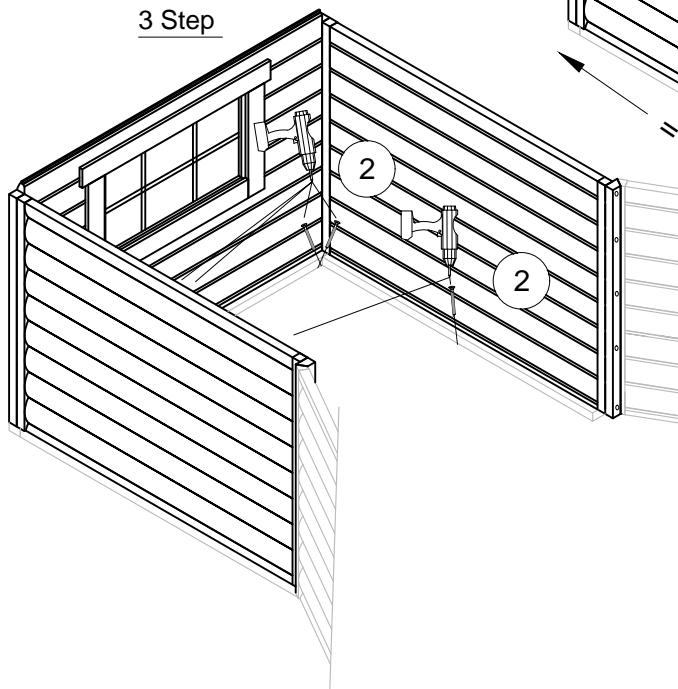
Grill / Camping cabin
25m²



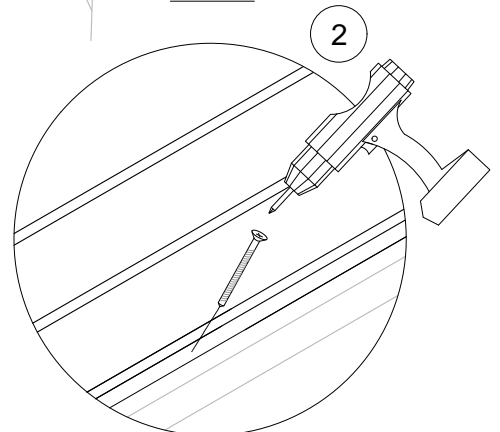
2 Step



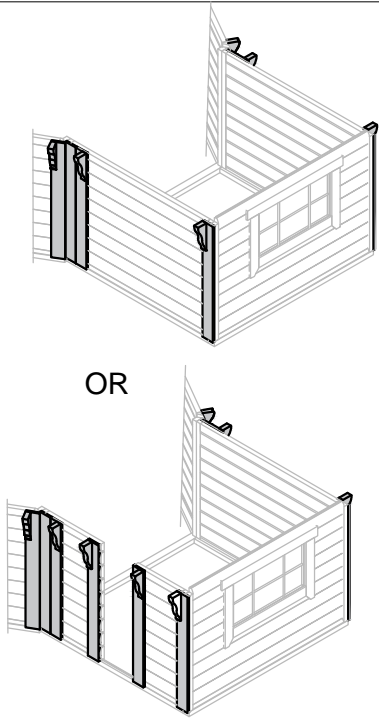
3 Step



3 Step



2. Extension DECORATION (SUPPORT) OUTSIDE



1 x3 or (x4)

GR-Apd(k)-1155
or
GR-Apd(k)-1285
or
GR-Apd(k)-1415



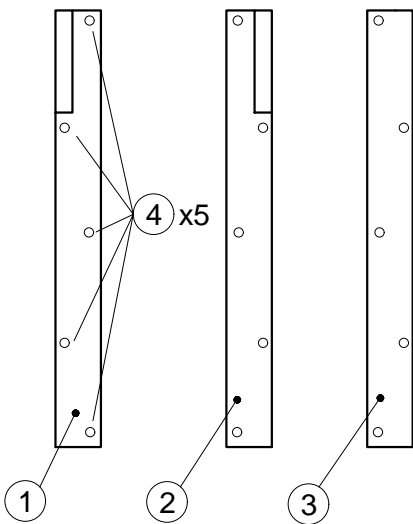
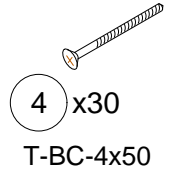
2 x3 or (x4)

GR-Apd(d)-1155
or
GR-Apd(d)-1285
or
GR-Apd(d)-1415

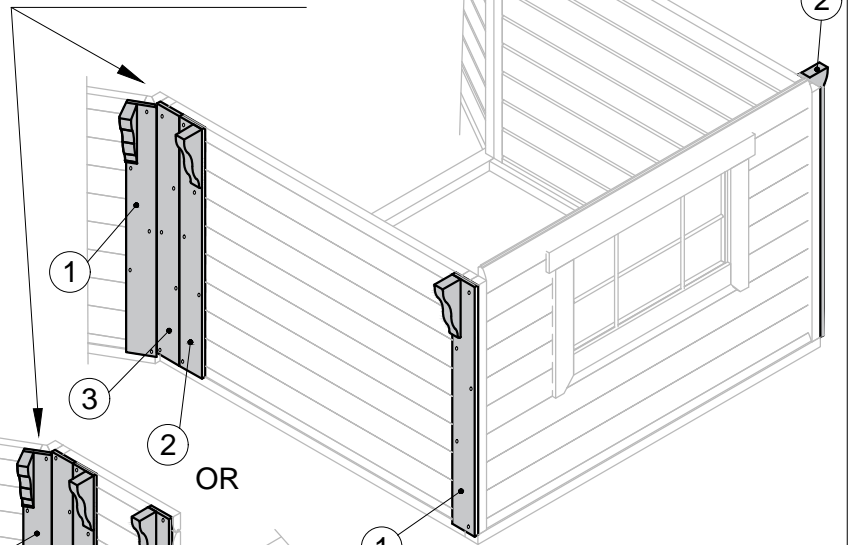


3 x2

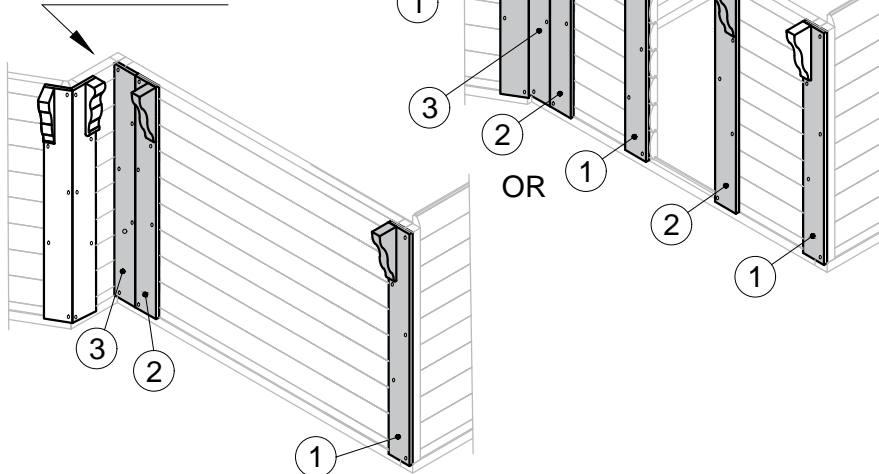
M-18x95-1155
or
M-18x95-1285
or
M-18x95-1415



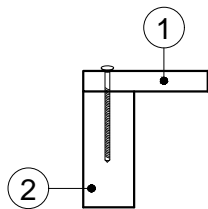
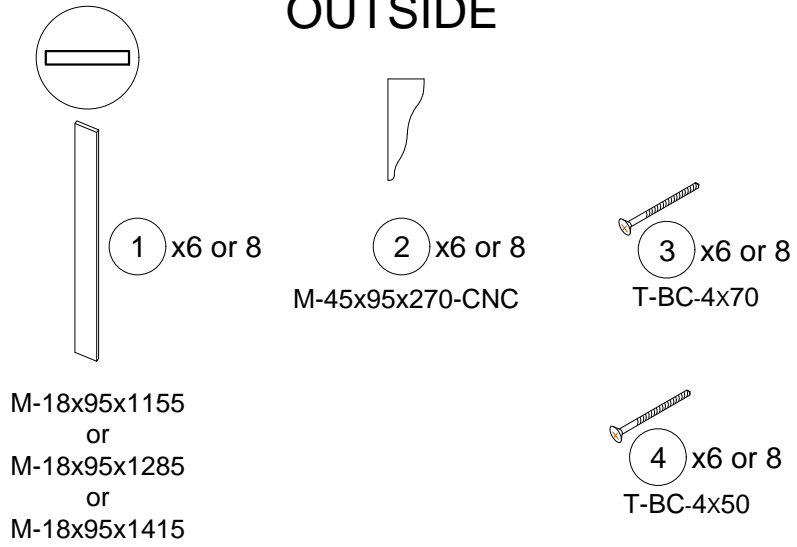
Grill / Camping cabin
9.2m²; 16.5m²



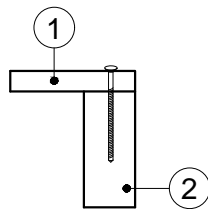
Grill / Camping cabin
25m²



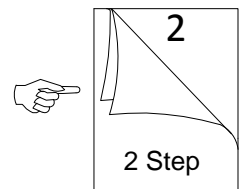
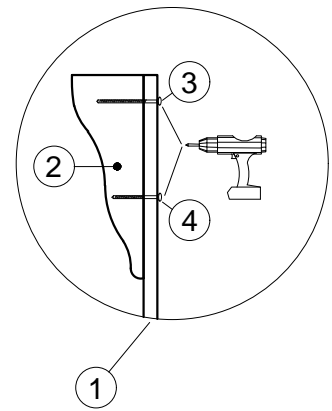
2.1 Extension DECORATION (SUPPORT) OUTSIDE



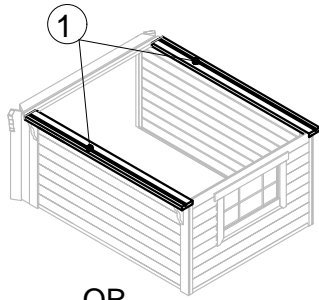
GR-Apd(k)-1155
or
GR-Apd(k)-1285
or
GR-Apd(k)-1415



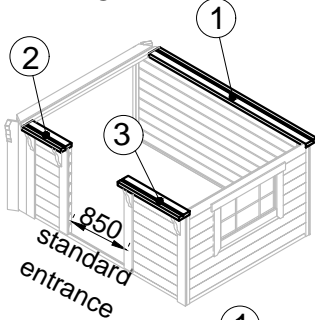
GR-Apd(d)-1155
or
GR-Apd(d)-1285
or
GR-Apd(d)-1415



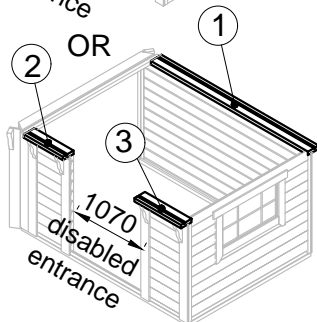
3. Extension ROOF SUPPORT RING



OR

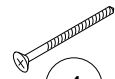


OR



1 x2

M-45x160x1550-F
or
M-45x160x2350-F
or
M-45x160x2850-F



4 x22

T-GC-5x100

1 x1

M-45x160x2350-F
or
M-45x160x2850-F

2 x1

M-45x160x583-F

3 x1

M-45x160x917-F
or
M-45x160x1417-F

1 x1

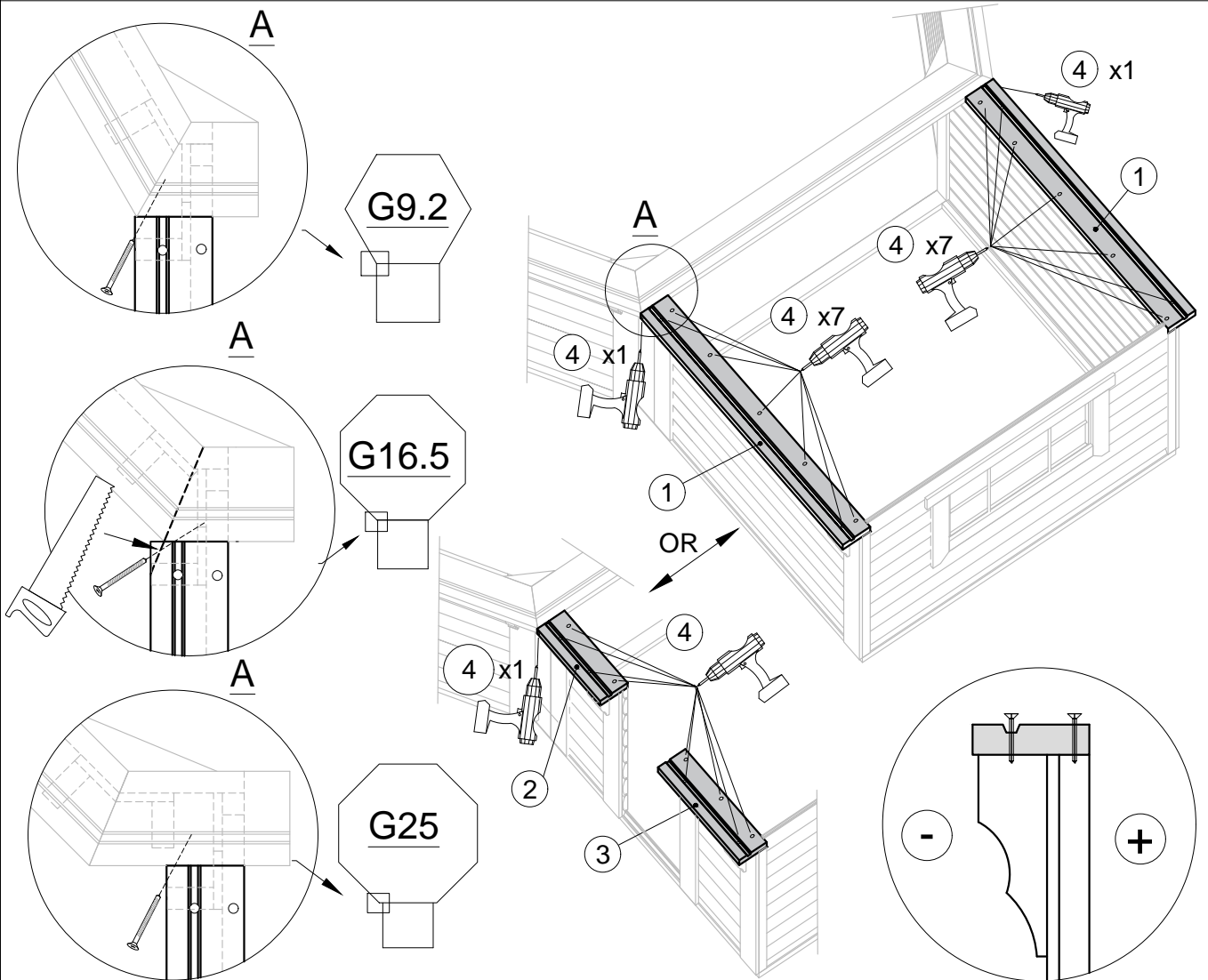
M-45x160x2350-F
or
M-45x160x2850-F

2 x1

M-45x160x583-F

3 x1

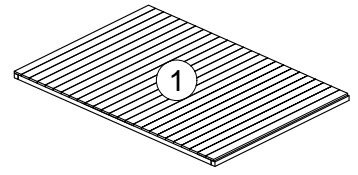
M-45x160x697-F
or
M-45x160x1197-F



4. Extension FLOORS

① x1

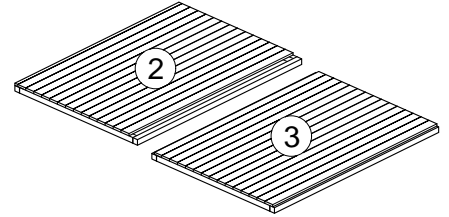
GR-EX3-Grind(Spunt)-1620x1680
 or
 GR-EX3-I-Grind(Spunt)-1620x1680
 or
 GR-EX4.3-Grind(Spunt)-2420x1680
 or
 GR-EX4.3-I-Grind(Spunt)-2420x1680



OR

② x1

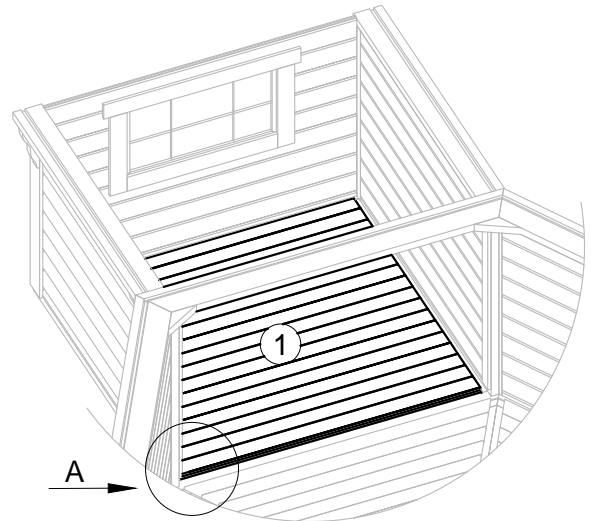
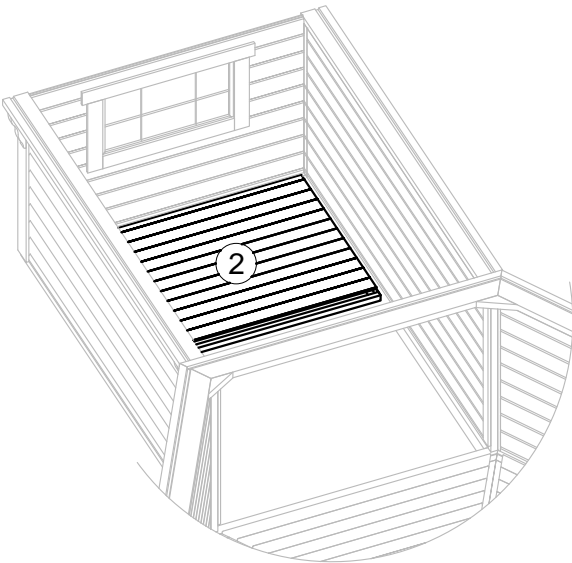
GR-EX5.2-Grind(Spunt)1-1460x1680
 or
 GR-EX5.2-I-Grind(Spunt)1-1460x1680



③ x1

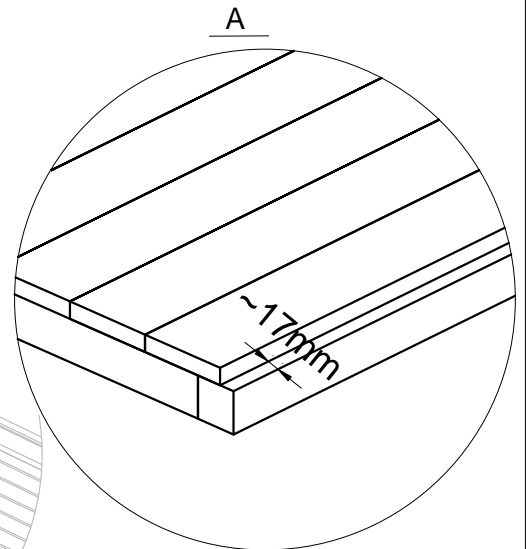
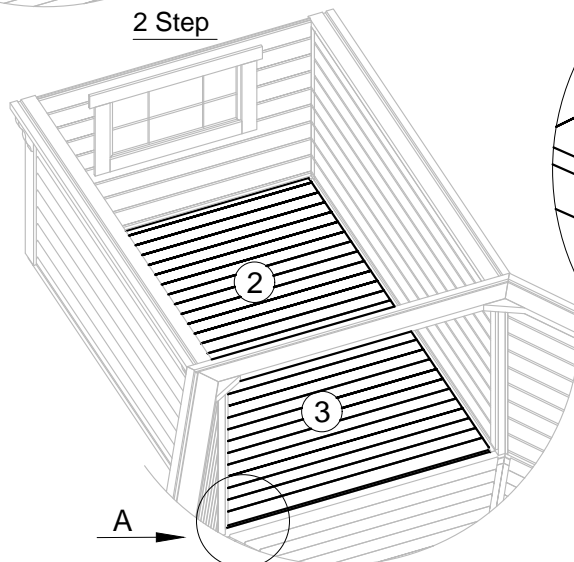
GR-EX5.2-Grind(Spunt)2-1460x1680
 or
 GR-EX5.2-I-Grind(Spunt)2-1460x1680

1 Step

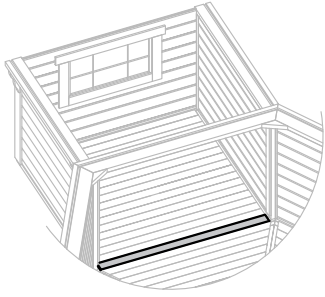


OR

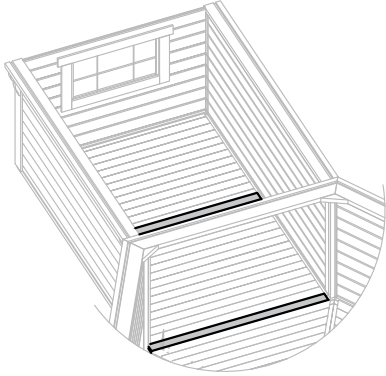
2 Step



5. Extension FLOORS FINISHING BOARDS



OR

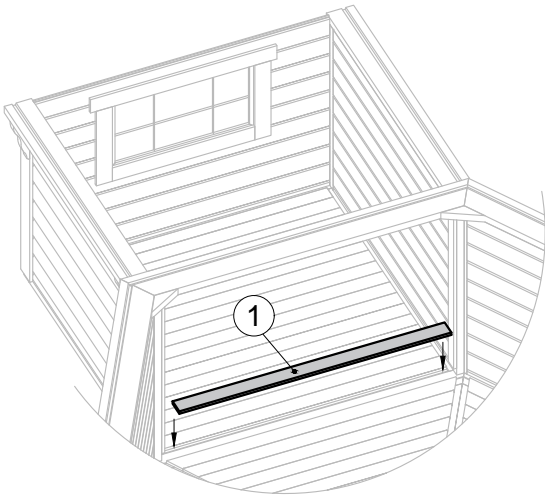


① x1 or (x2)

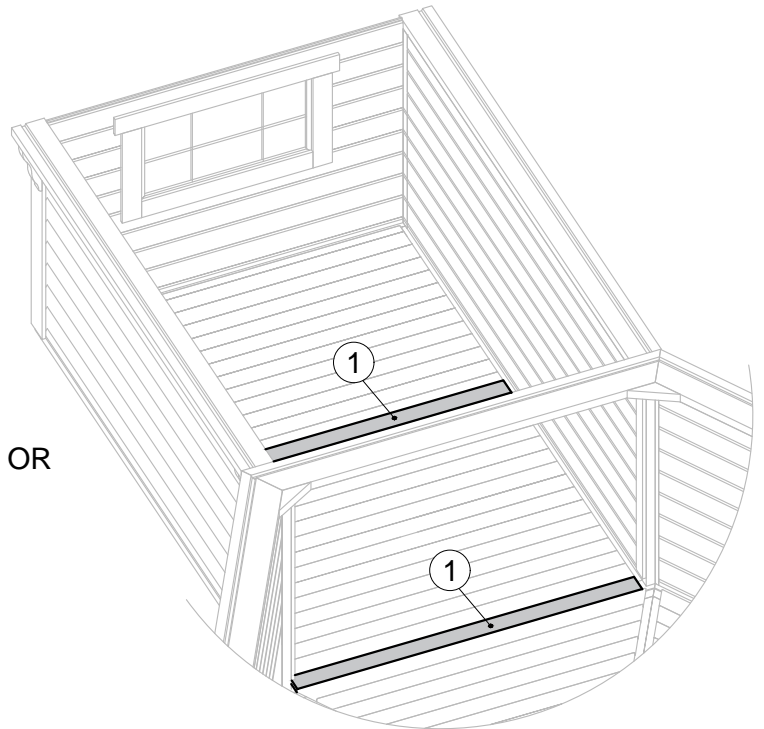
M-18x95x1680
or
Spunt-28x95x1680



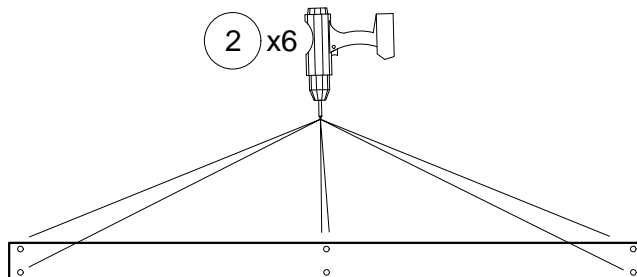
② x6 or (x12)
T-GC-3.5x45

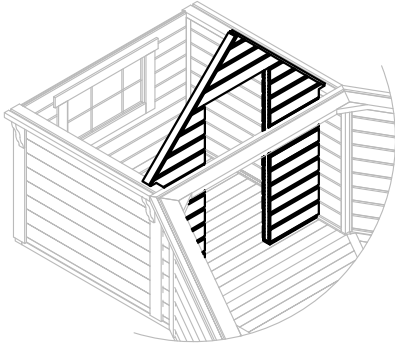


OR

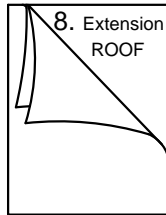
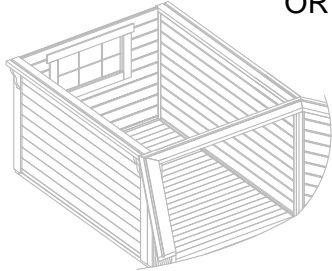


② x6

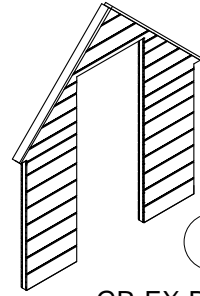




OR



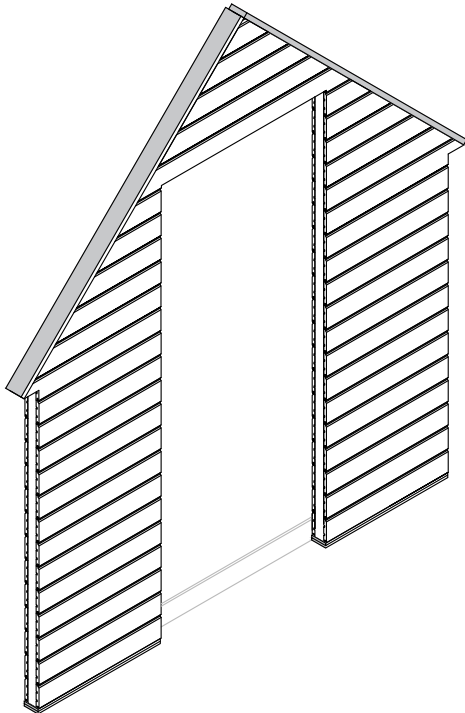
6. Extension INSIDE WALL



1 x1

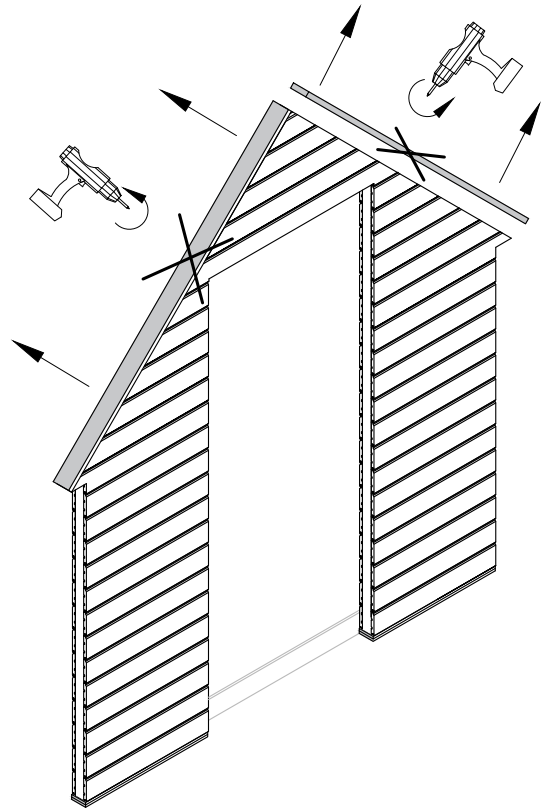
GR-EX-Pertv-1857x2093-A700
or
GR-EX-Pertv-1857x2223-A700
or
GR-EX-Pertv-1857x2223-A1010
or
GR-EX-Pertv-1857x2353-A700
or
GR-EX-Pertv-1857x2353-A1010

COLD
ROOF

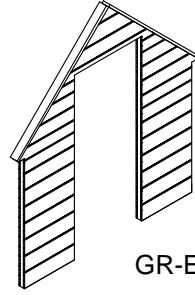
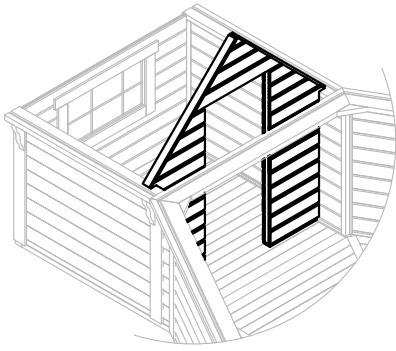


or

INSULATED
ROOF

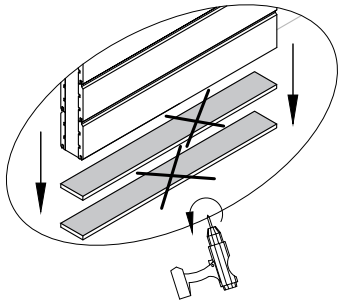


6.1 Extension INSIDE WALL



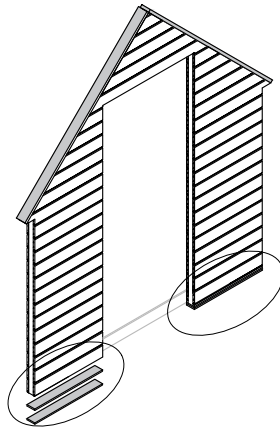
1 x1

GR-EX-Pertv-1857x2093-A700
or
GR-EX-Pertv-1857x2223-A700
or
GR-EX-Pertv-1857x2223-A1010
or
GR-EX-Pertv-1857x2353-A700
or
GR-EX-Pertv-1857x2353-A1010

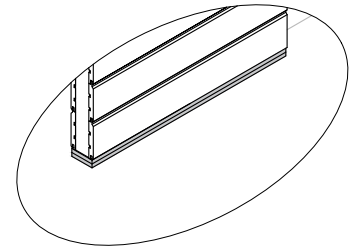


INSULATED FLOOR WITH
TONGUE AND GROOVE
BOARD 

or

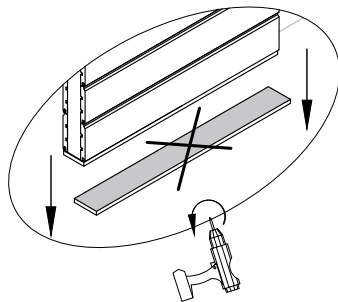



or



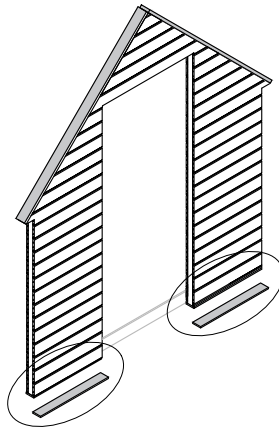
COLD FLOOR WITH
BOARD 

or

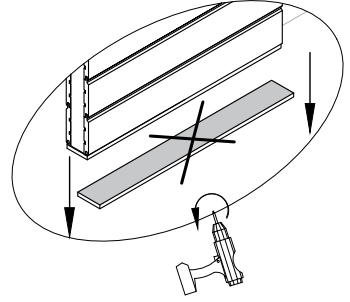


COLD FLOOR WITH TONGUE
AND GROOVE BOARD 

or

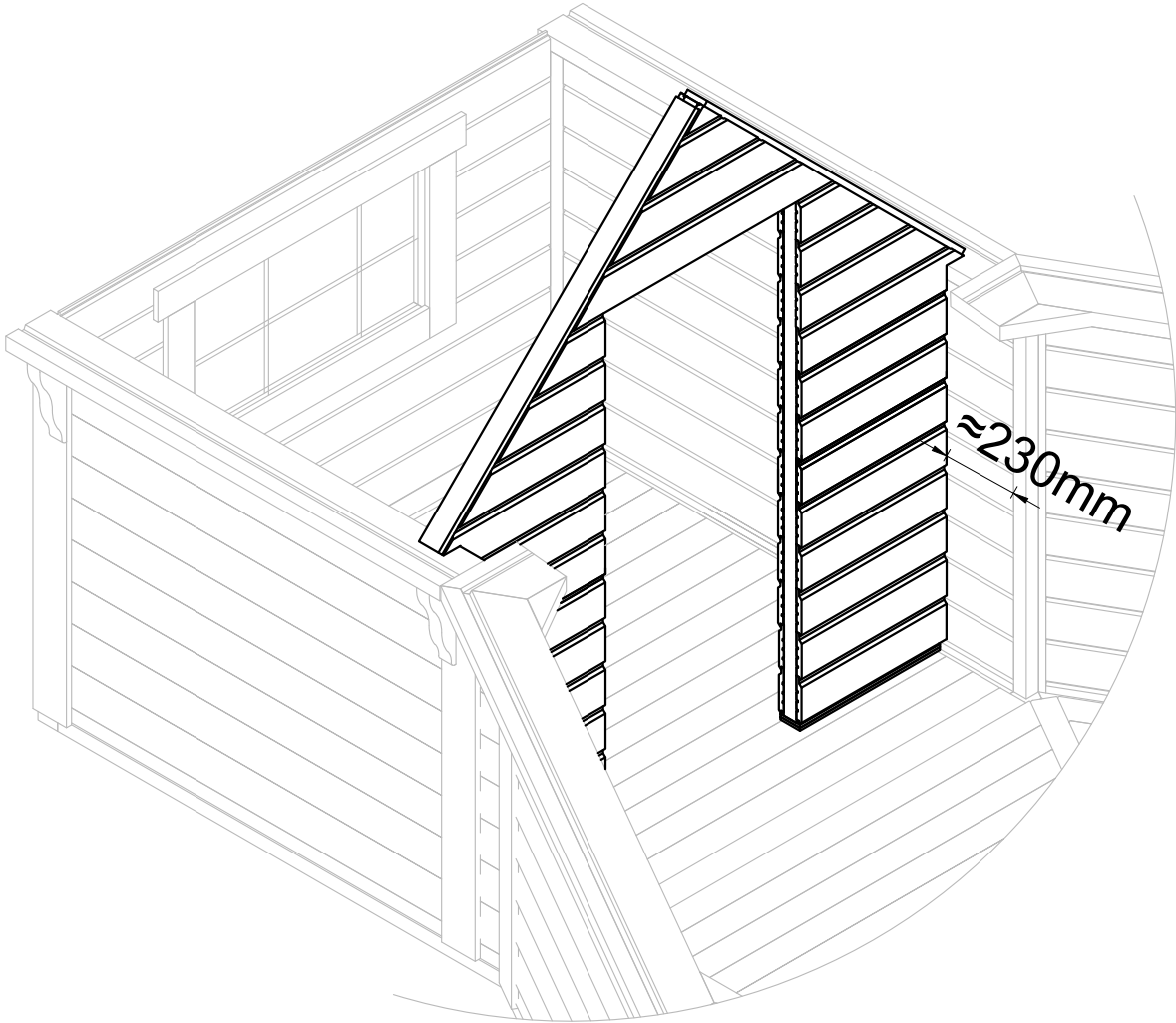
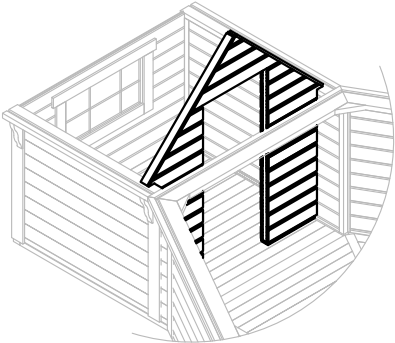


or

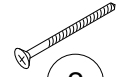
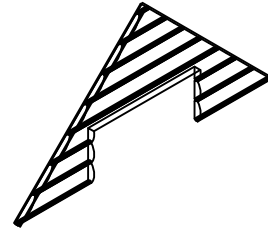
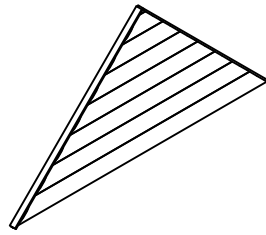
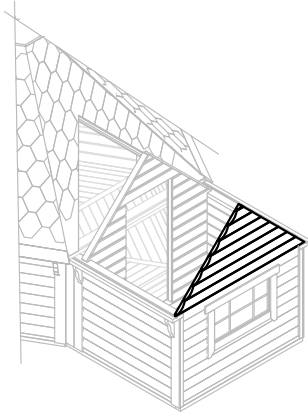


INSULATED FLOOR
WITH BOARD 

6.2 Extension INSIDE WALL



7. Extension WALLS CONNECTION



2 x2

T-GC-5x100

1 x1

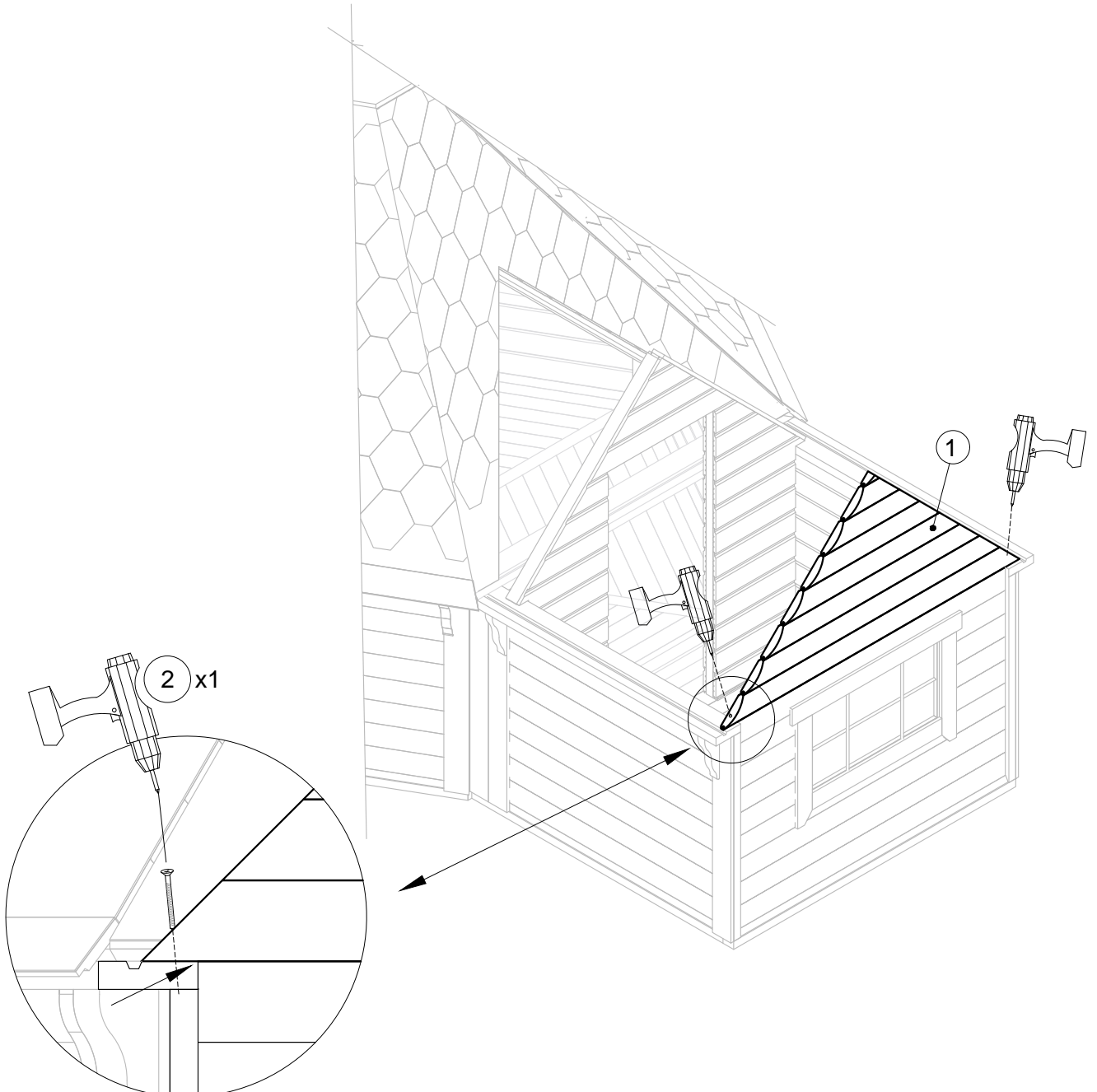
GR-EX-GS-trikamp-961x1923

or

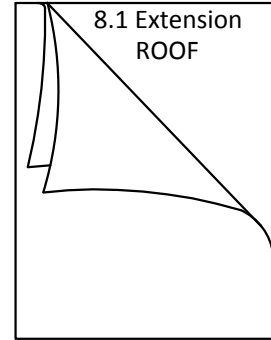
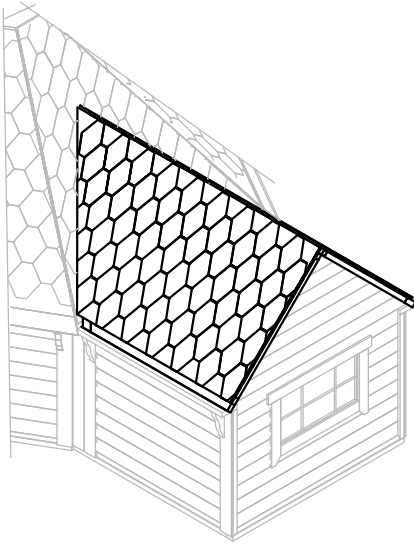
GR-EX-GSD-trikamp-961x1923-A796

or

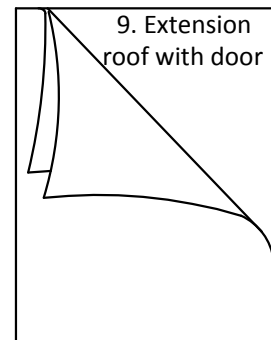
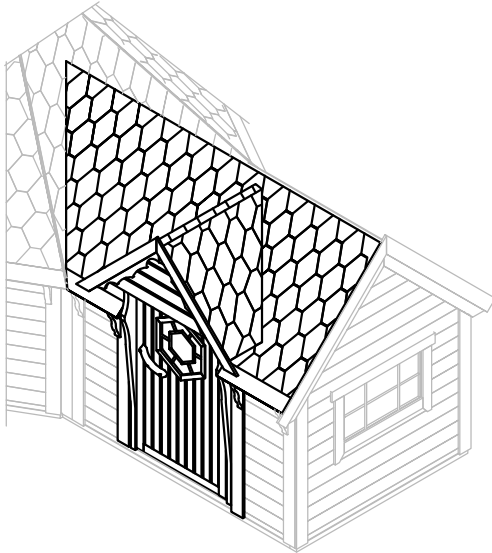
GR-EX-GSD-trikamp-961x1923-A1010



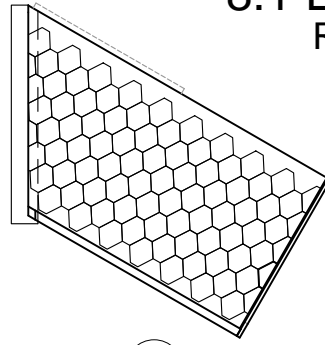
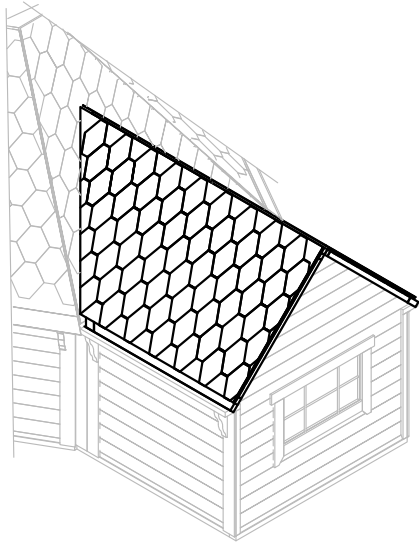
8. Extension ROOF



OR

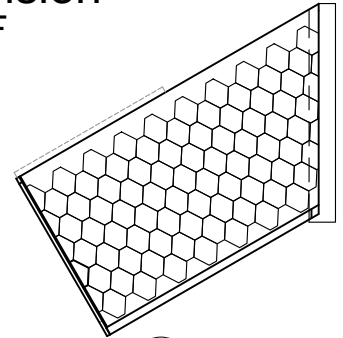


8.1 Extension ROOF



1 x1

GR-EX-Stog-1421x2517(d)
or
GR-EX-I-Stog-1421x2517(d)
or
GR-EX-Stog-1421x3317(d)
or
GR-EX-I-Stog-1421x3317(d)
or
GR-EX-Stog-1421x3817(d)
or
GR-EX-I-Stog-1421x3817(d)



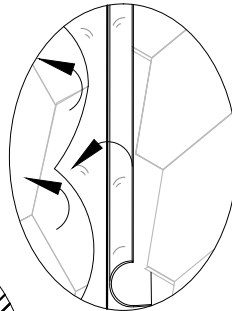
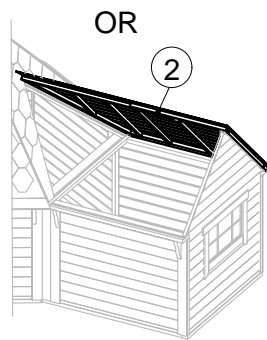
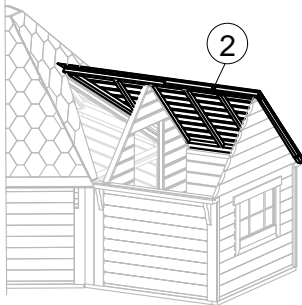
2 x1

GR-EX-Stog-1421x2517(k)
or
GR-EX-I-Stog-1421x2517(k)
or
GR-EX-Stog-1421x3317(k)
or
GR-EX-I-Stog-1421x3317(k)
or
GR-EX-Stog-1421x3817(k)
or
GR-EX-I-Stog-1421x3817(k)

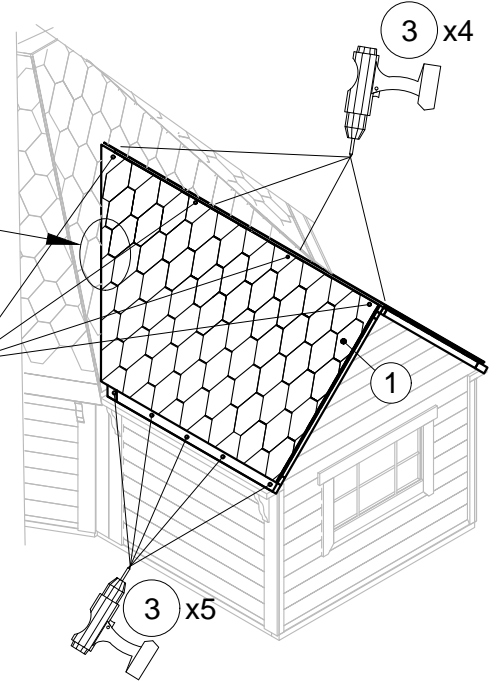


3 x22

T-GC-5x80



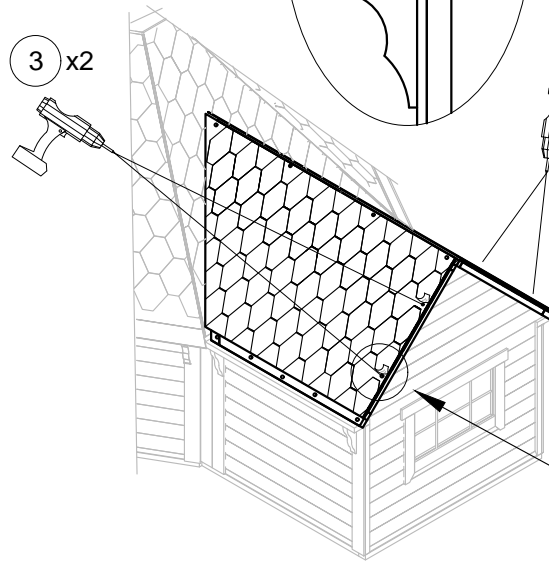
3 x4



3 x4

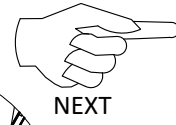
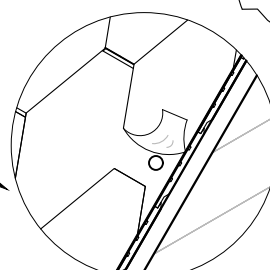
1

3 x5

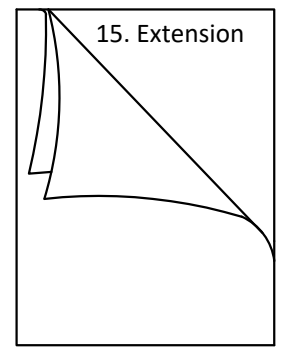


3 x2

3 x2

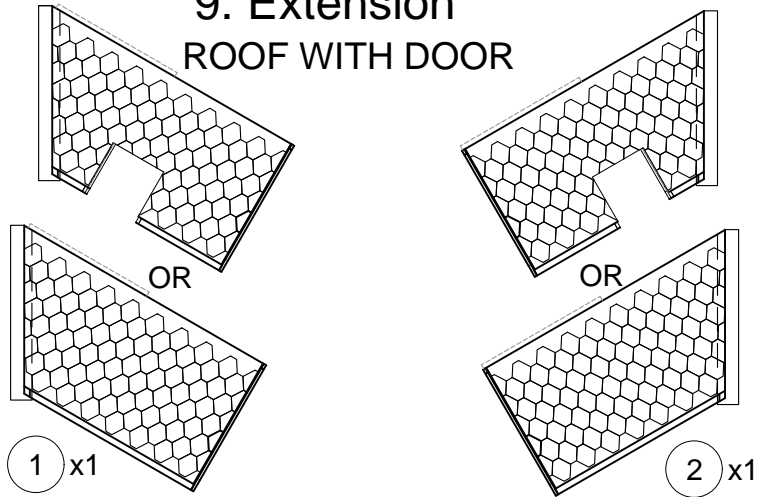
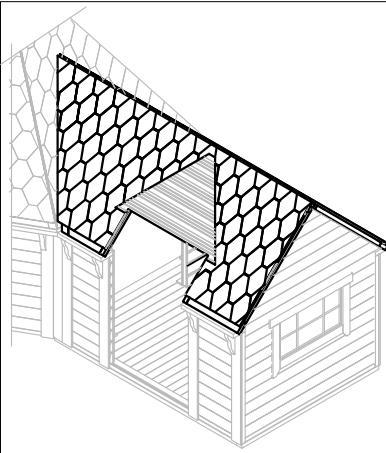


NEXT



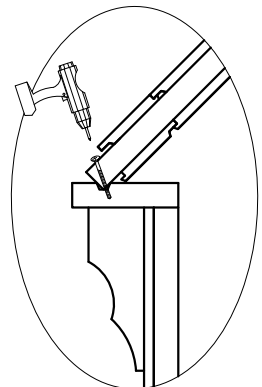
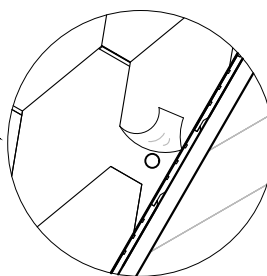
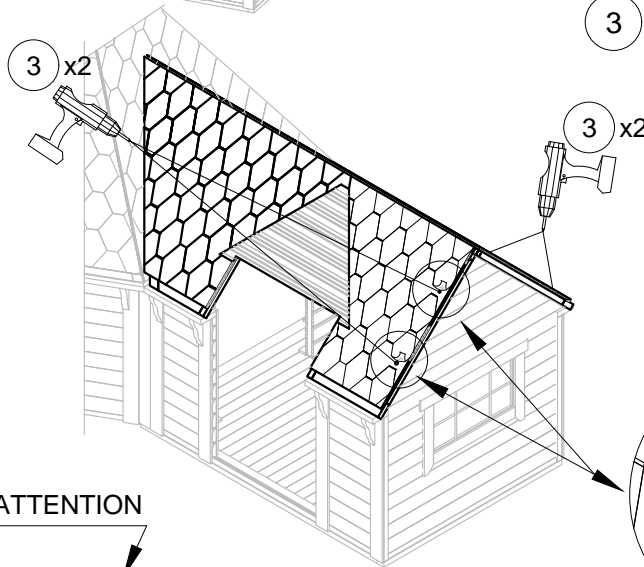
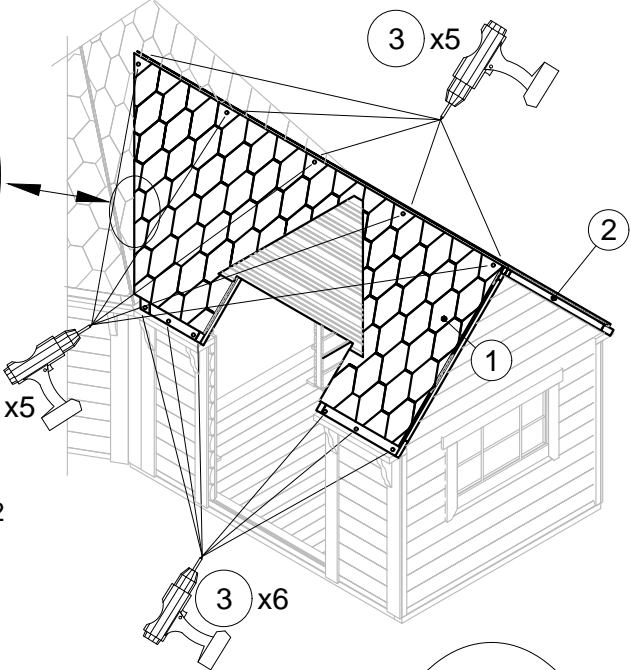
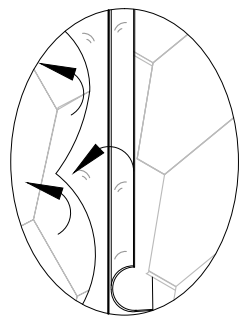
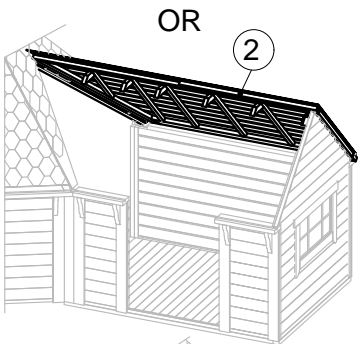
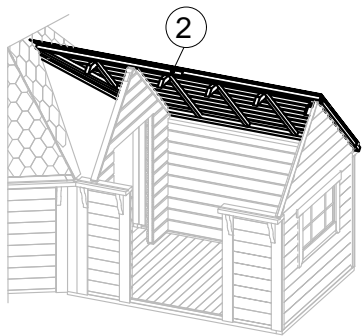
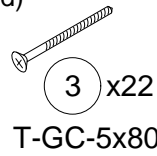
15. Extension

9. Extension ROOF WITH DOOR



GR-EX-(I)-StogD-1421x3317-A850(d)
or
GR-EX-(I)-StogD-1421x3317-A1070(d)
or
GR-EX-(I)-StogD-1421x3817-A850(d)
or
GR-EX-(I)-StogD-1421x3817-A1070(d)
or
GR-EX-(I)-Stog-1421x3317(d)

GR-EX-(I)-StogD-1421x3317-A850(k)
or
GR-EX-(I)-StogD-1421x3317-A1070(k)
or
GR-EX-(I)-StogD-1421x3817-A850(k)
or
GR-EX-(I)-StogD-1421x3817-A1070(k)
or
GR-EX-(I)-Stog-1421x3317(k)



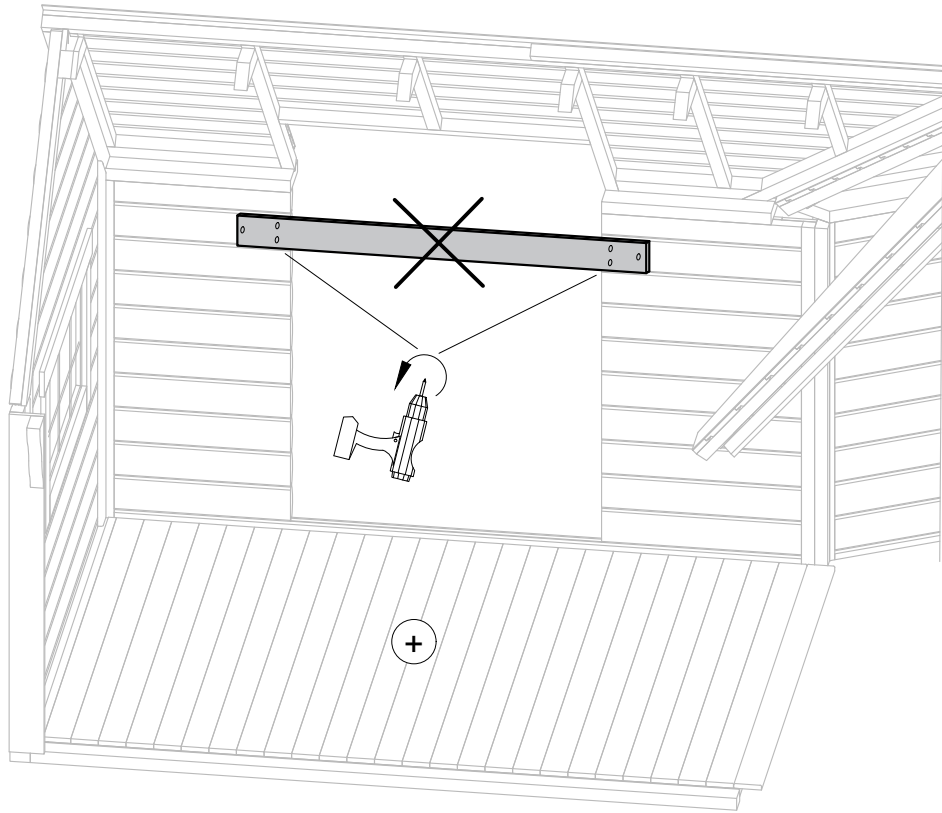
ATTENTION

GR-EX-(I)-StogD-14..... INSULATED

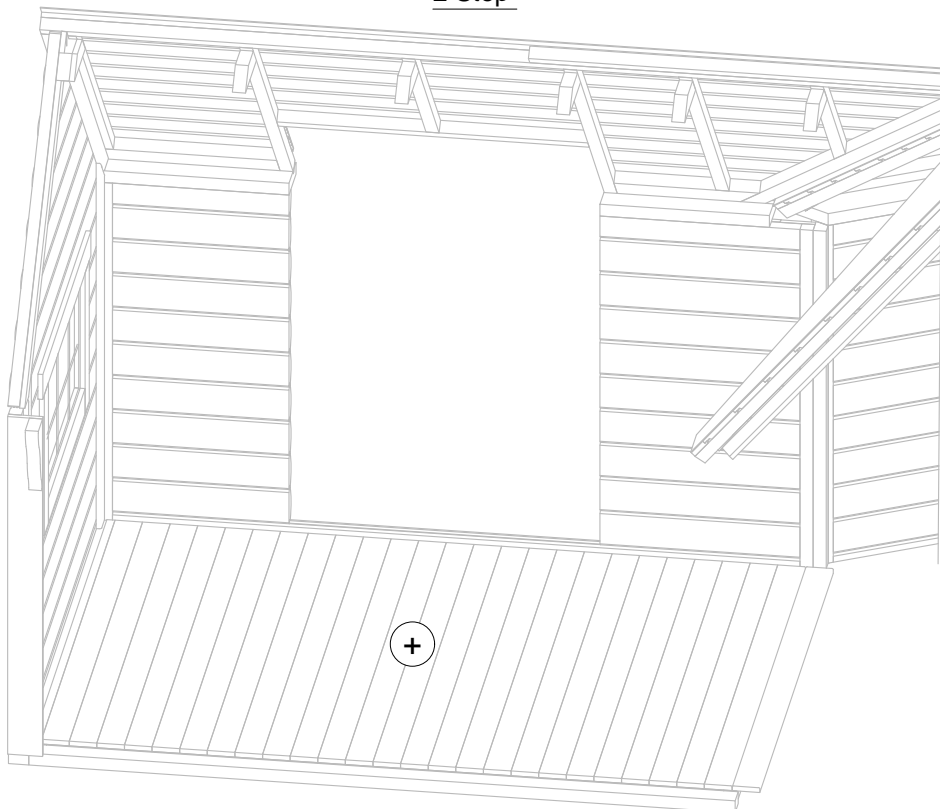
GR-EX-StogD-14..... COLD

10. Extension ENTRANCE ASSEMBLY

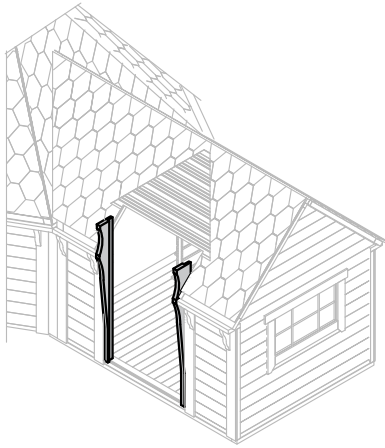
1 Step



2 Step





11. Extension ENTRANCE SUPPORT

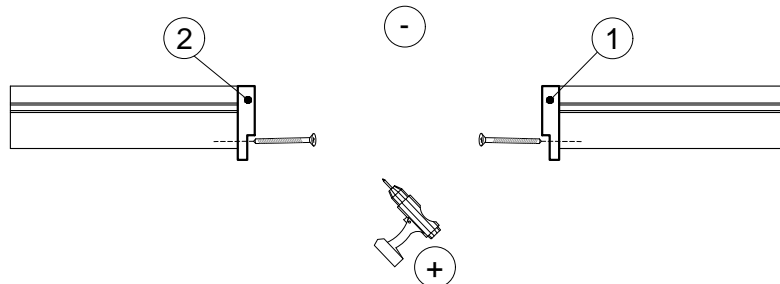
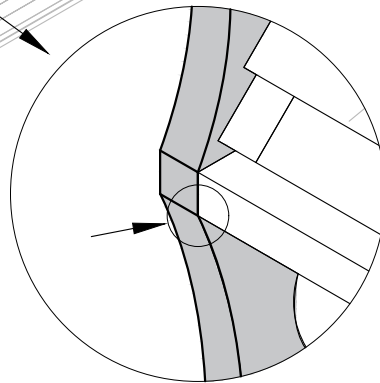
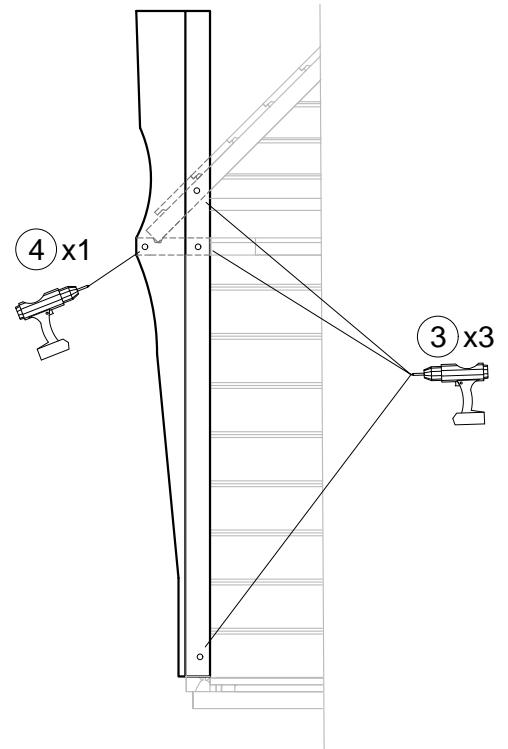
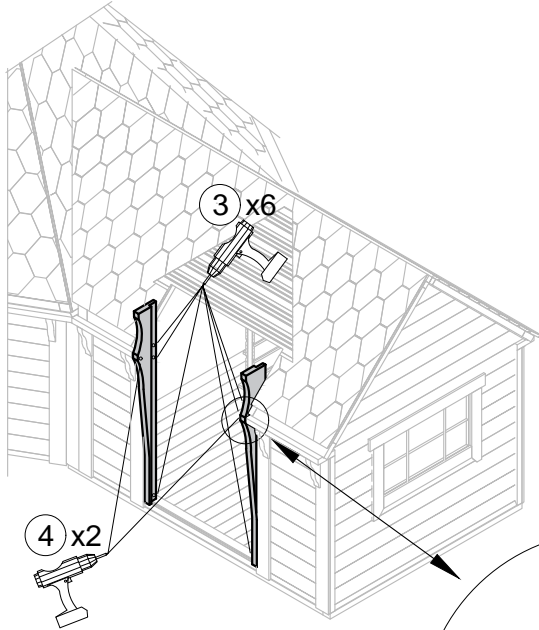


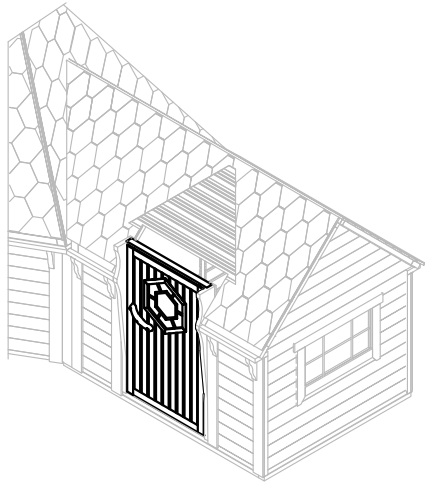
M-45x195x1630-A850-CNC(k)
or
M-45x195x1760-A850-CNC(k)
or
M-45x195x1890-A-850-CNC(k)
or
M-45x195x1630-A1070-CNC(k)
or
M-45x195x1760A-1070-CNC(k)



M-45x195x1630-A850-CNC(d)
or
M-45x195x1760-A850-CNC(d)
or
M-45x195x1890-A-850-CNC(d)
or
M-45x195x1630-A1070-CNC(d)
or
M-45x195x1760A-1070-CNC(d)

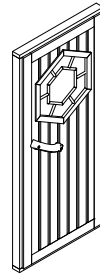
-  ③ x6
T-BC-4x50
-  ④ x2
T-GC-5x80





12. Extension OUTSIDE DOOR

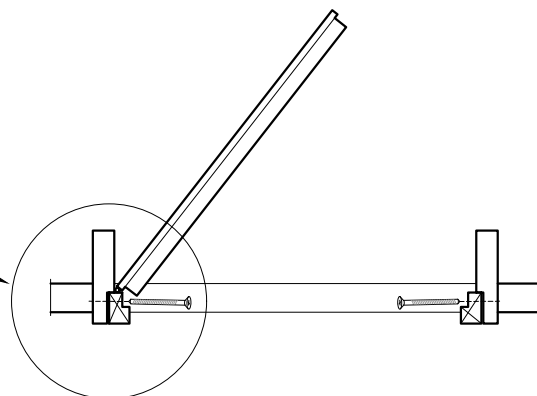
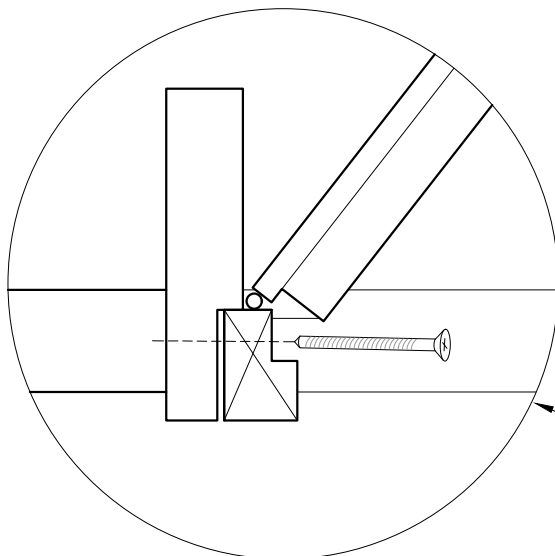
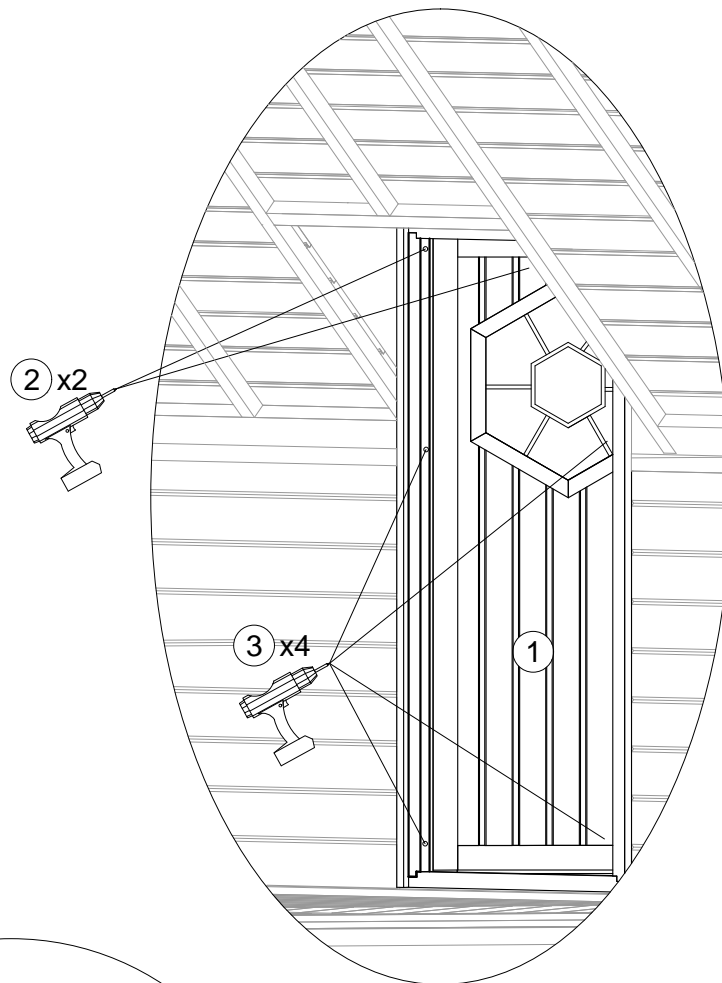
① x1
PUS00013
or
PUS00060
or
PUS00321
or
PUS00317
or
PUS00322



② x2
T-BC-4x50



③ x4
T-GC-5x100



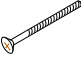
13.Extension INSIDE FINISHING BOARD

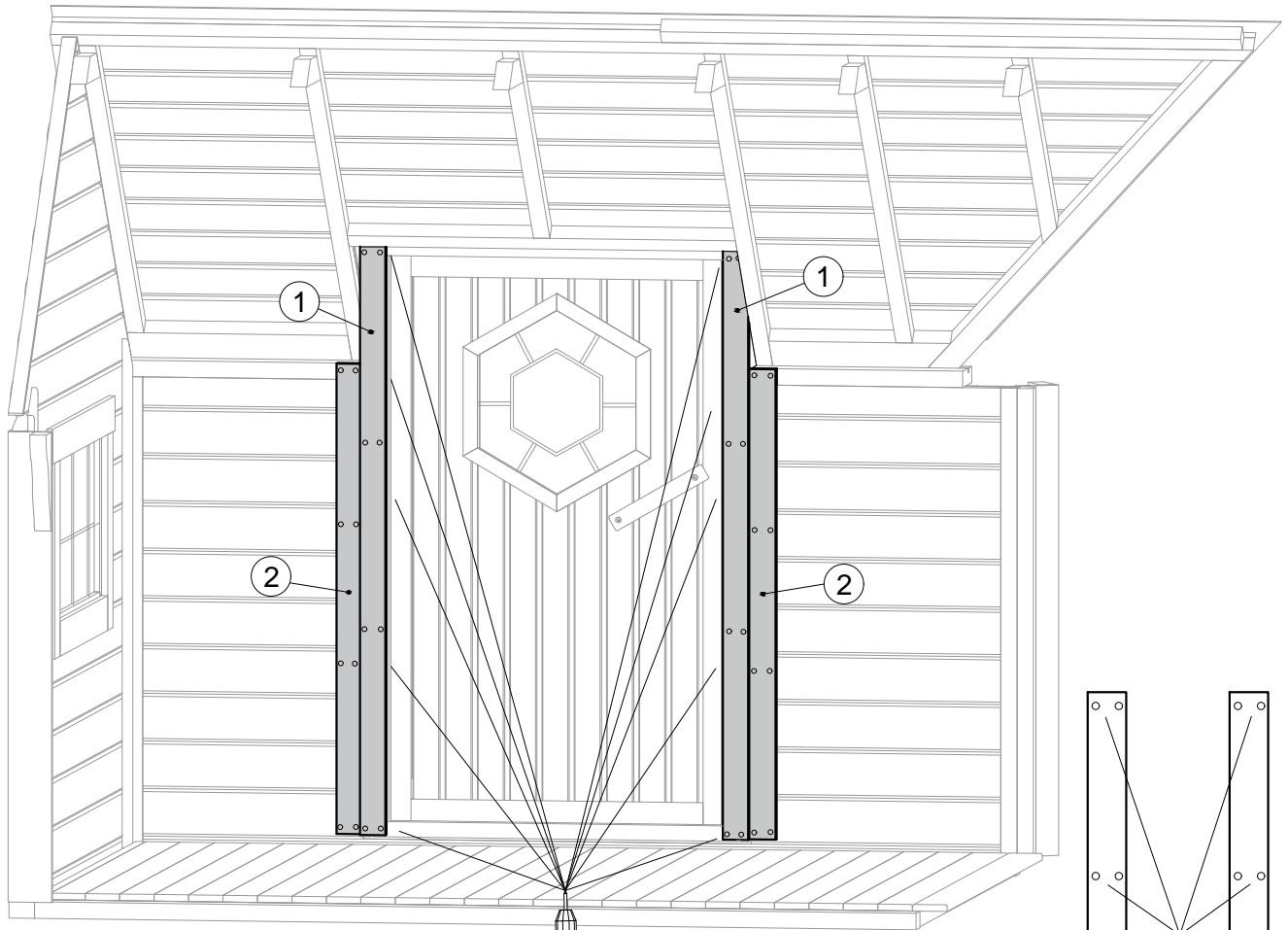
① x2
M-18x70x1624
or
M-18x70x1754
or
M-18x70x1884



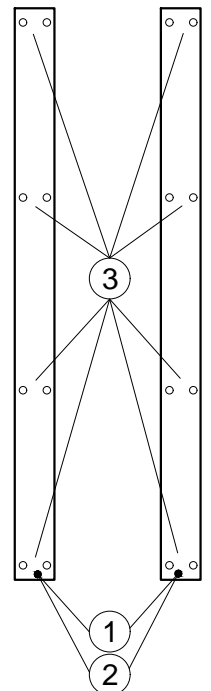
② x2
M-18x70x1150
or
M-18x70x1280
or
M-18x70x1410




③ x32
T-GC-3.5x45



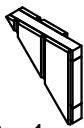
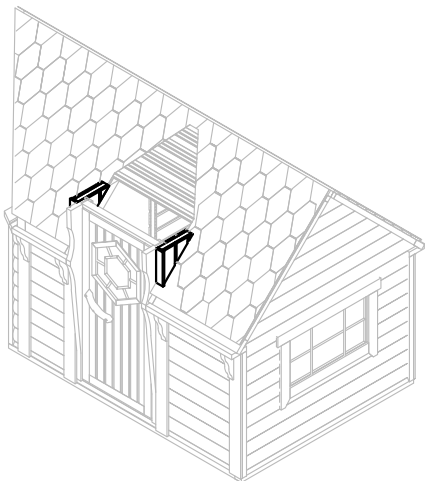
③ x32 



14. Extension ENTRANCE ASSEMBLY

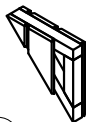
782mm
standard door

1070mm
disabled door



① x1

GR-trikamp-313x331-(k)



② x1

GR-trikamp-313x331-(d)

OR



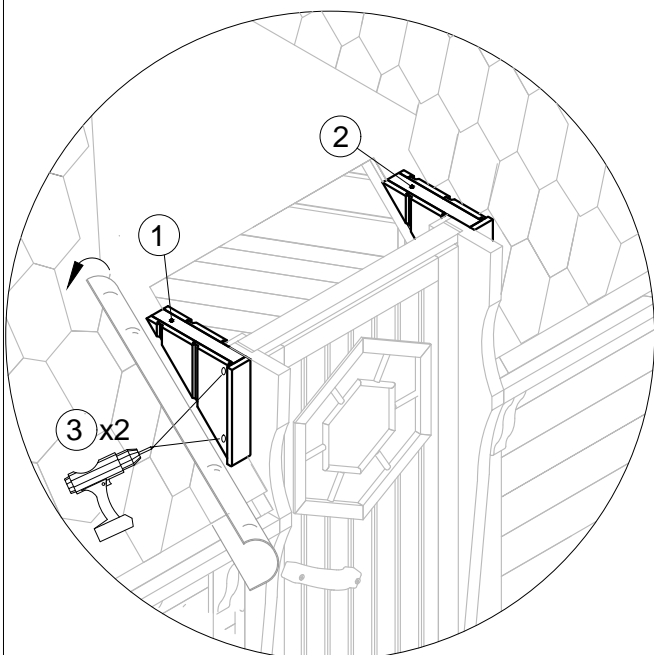
① x2

M-45X136X271-F



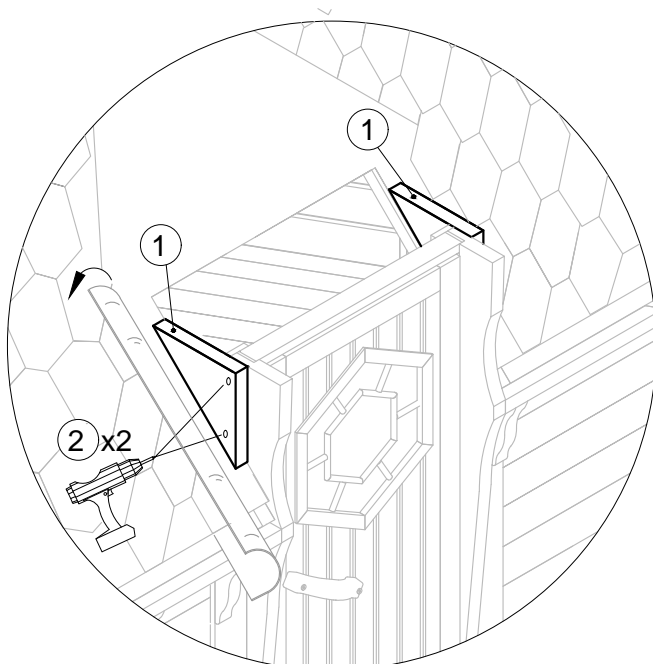
③ x4

T-GC-5x80

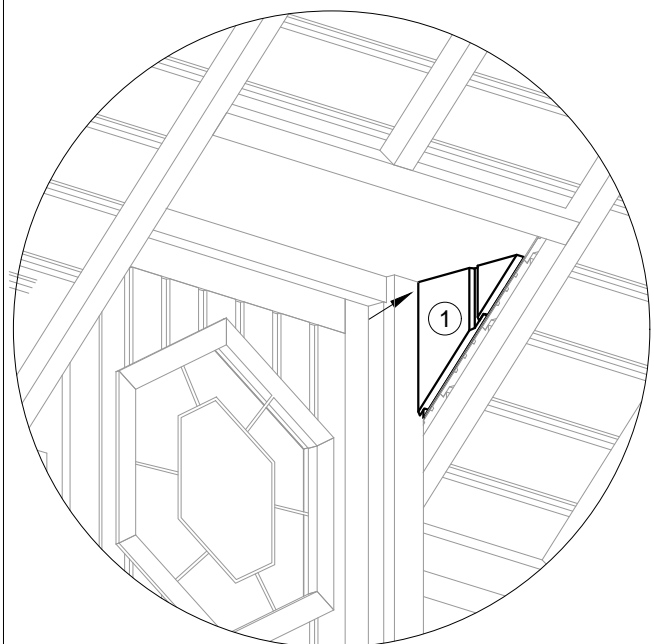


782mm
standard door

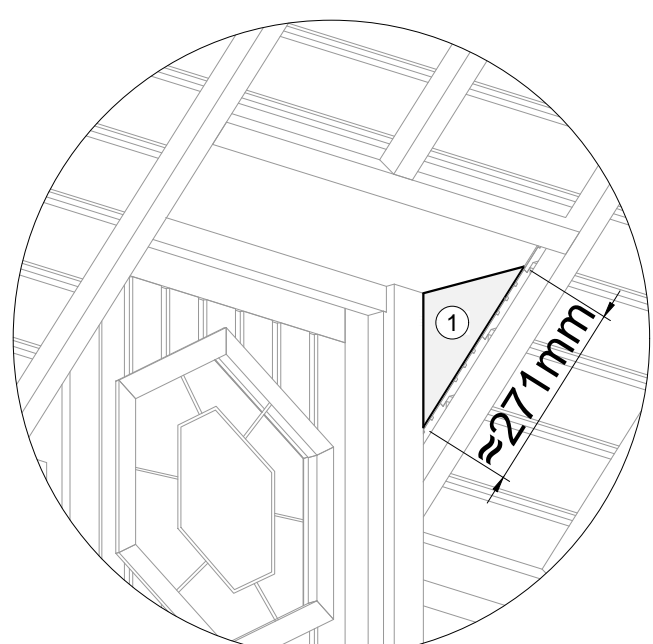
OR



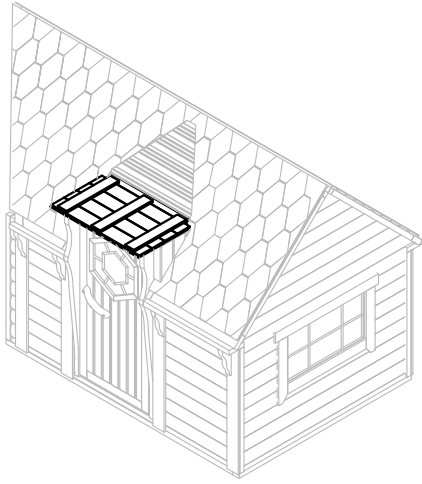
1070mm
disabled door



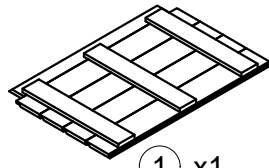
OR



14.1 Extension ENTRANCE ASSEMBLY

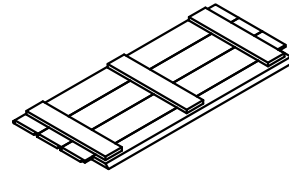


782mm
standard door



① x1
GR-lubos-636x939

1070mm
disabled door

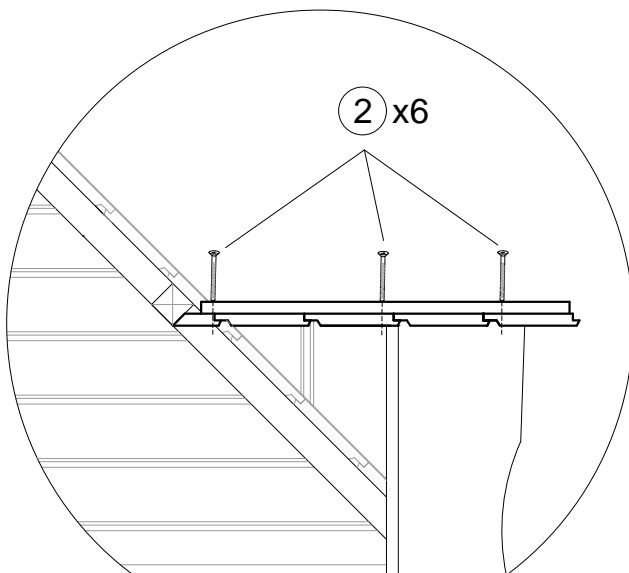
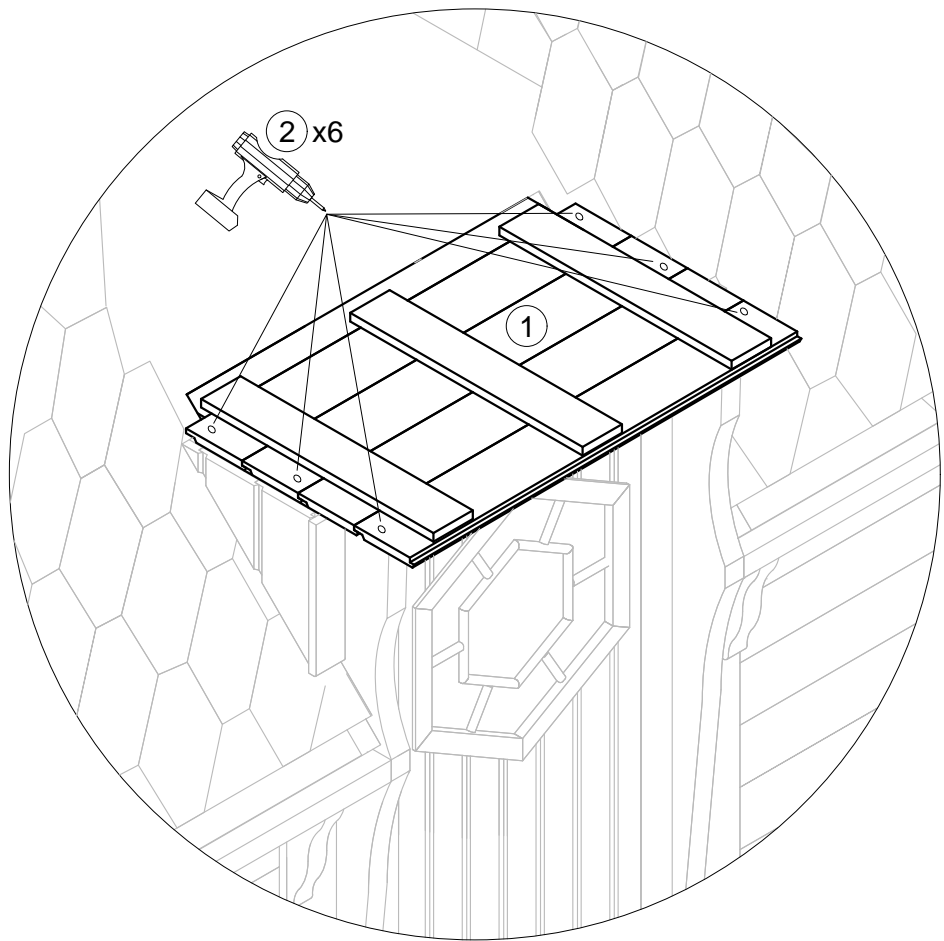


① x1
GR-lubos-507x1159

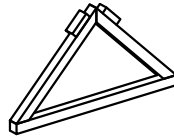
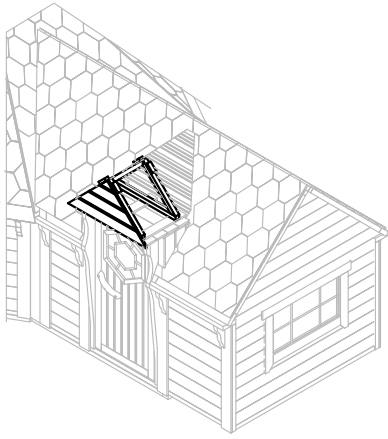
OR



② x6
T-GC-4x70

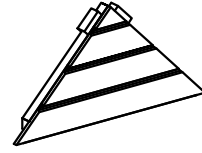


14.2 Extension ENTRANCE ASSEMBLY



① x1

GR-Stog-trik-453x815
or
GR-Stog-trik-563x1035



② x1

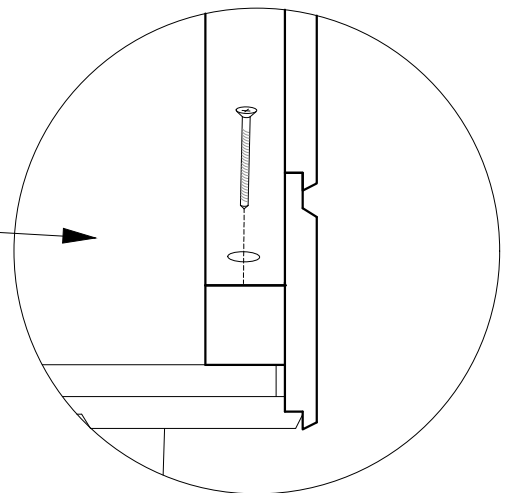
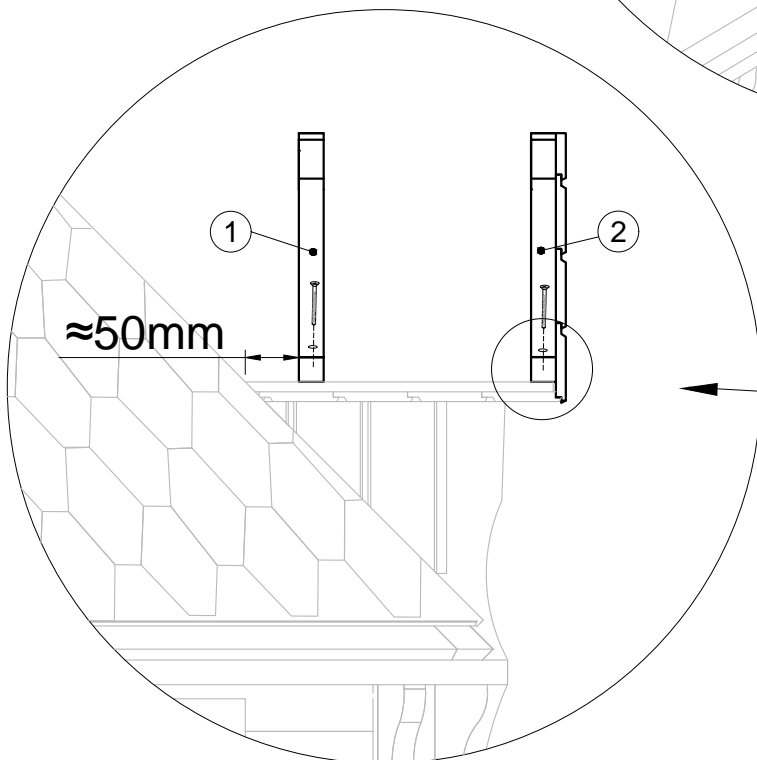
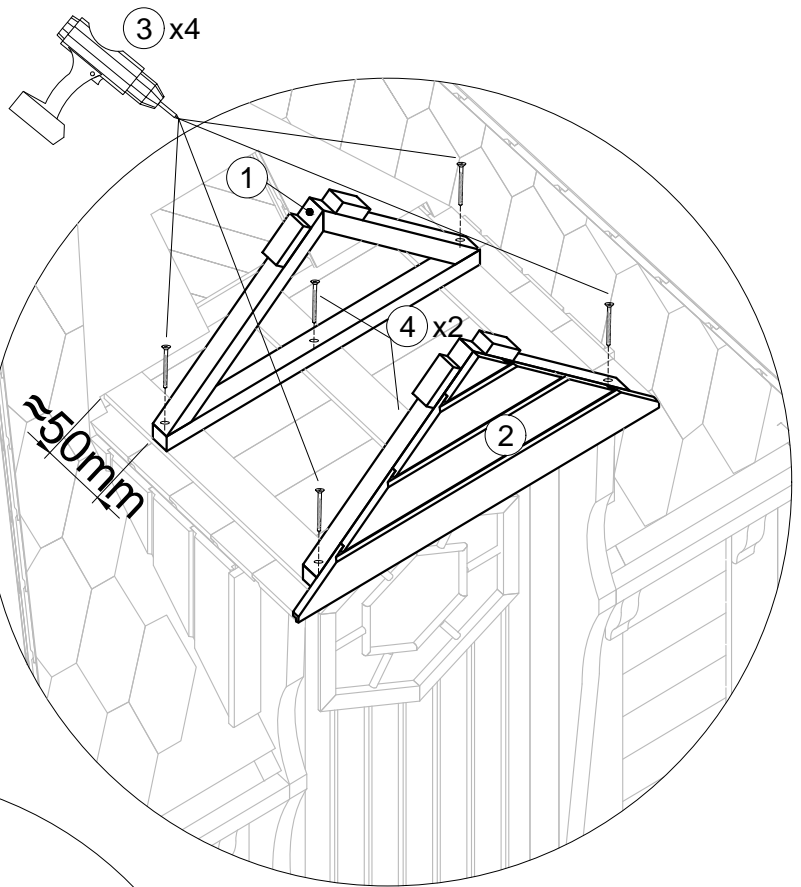
GR-Pr-trik-491x981
or
GR-Pr-trik-601x1202



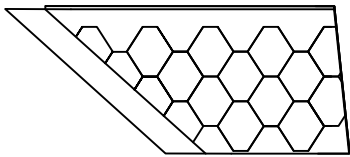
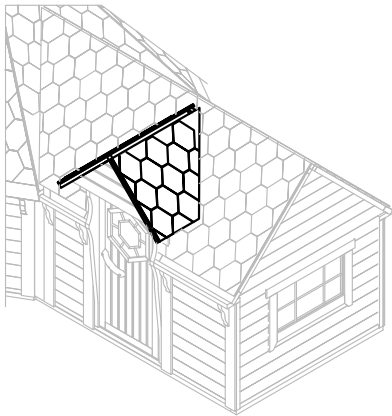
③ x4
T-GC-5x100



④ x2
T-GC-4x70

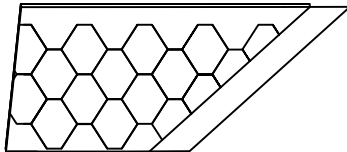


14.3 Extension ENTRANCE ASSEMBLY



① x1

GR-Stog-845x1090-(k)
or
GR-Stog-1001x1070-(k)



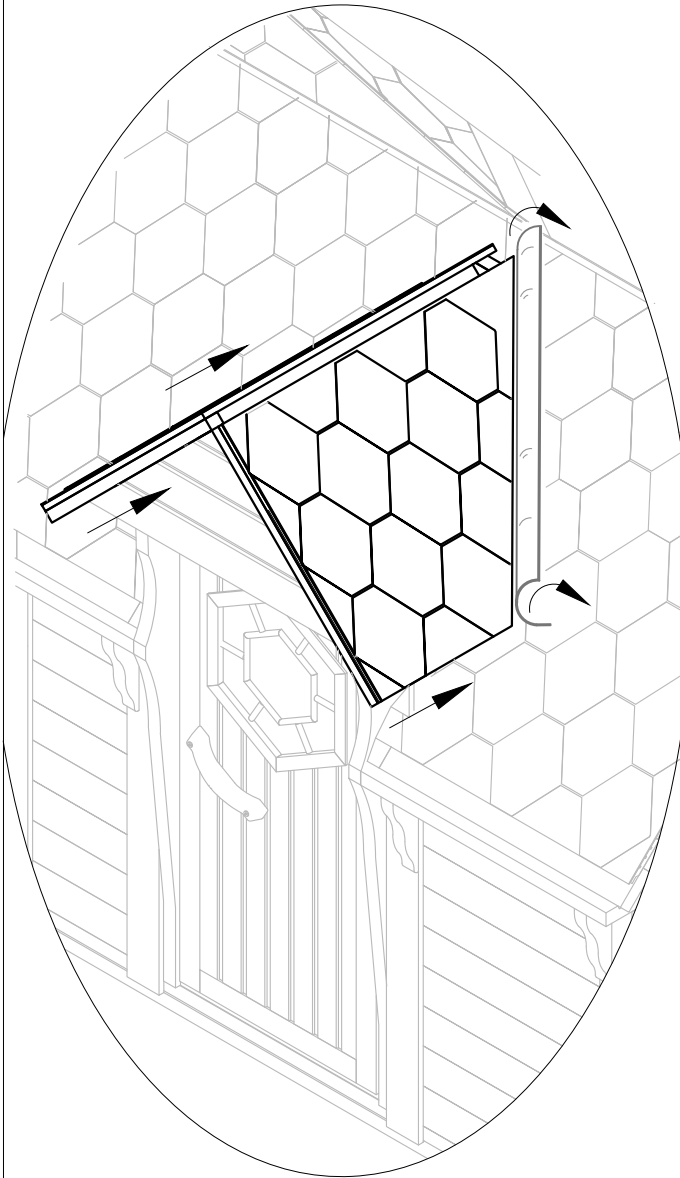
② x1

GR-Stog-845x1090-(d)
or
GR-Stog-1001x1070-(d)

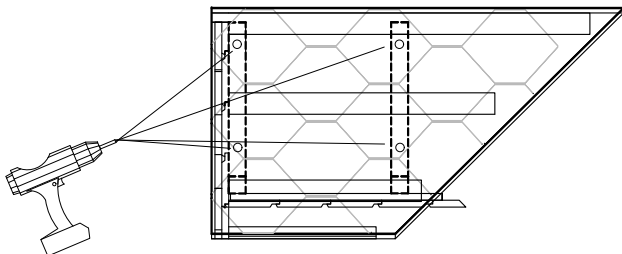
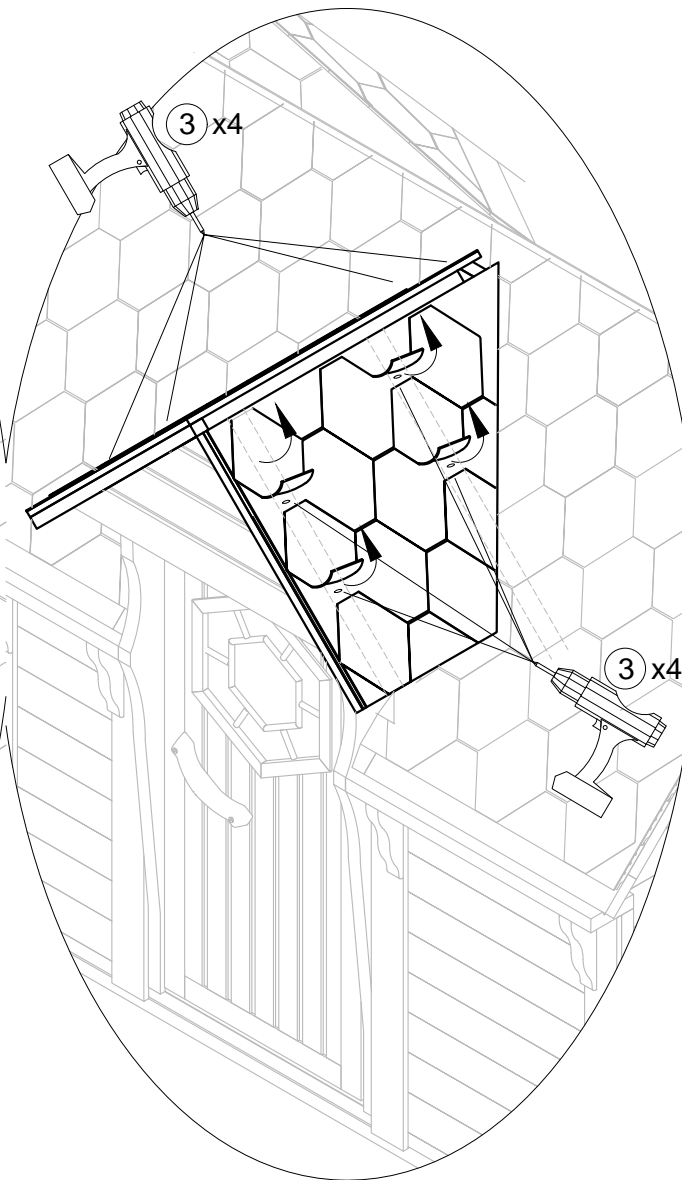


③ x8
T-GC-5x100

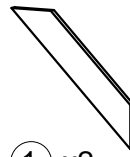
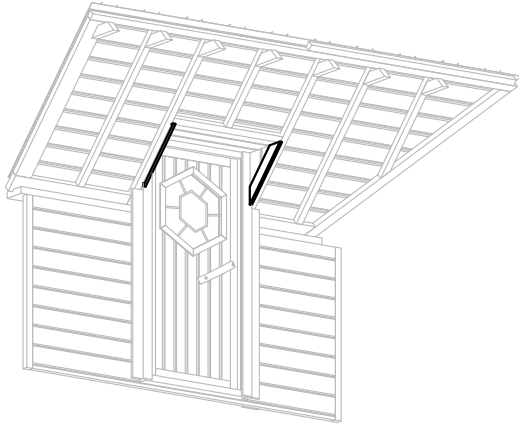
1 Step



2 Step



14.4 Extension ENTRANCE ASSEMBLY



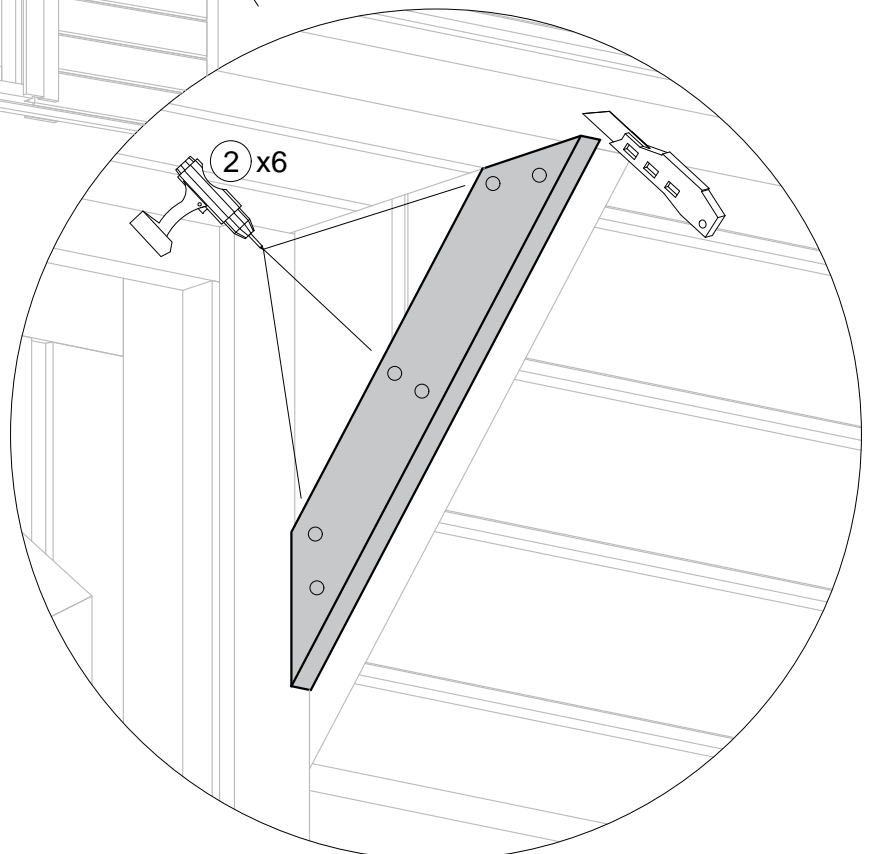
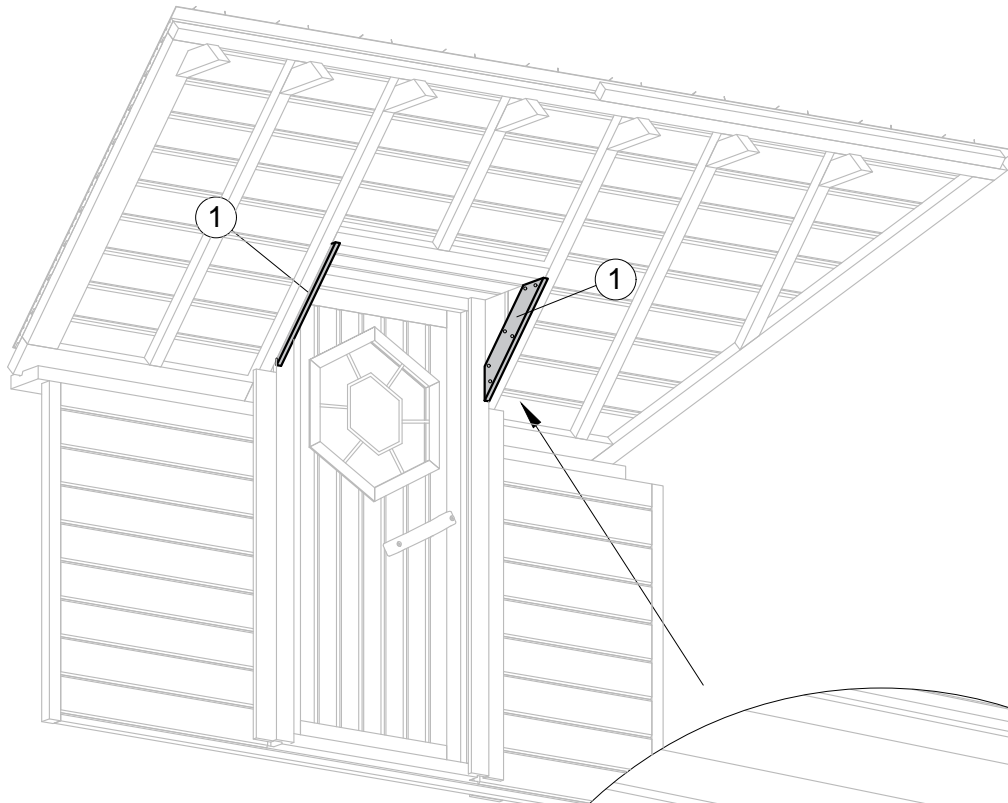
① x2

M-18x83x488-F
or
M-18x95x318-F

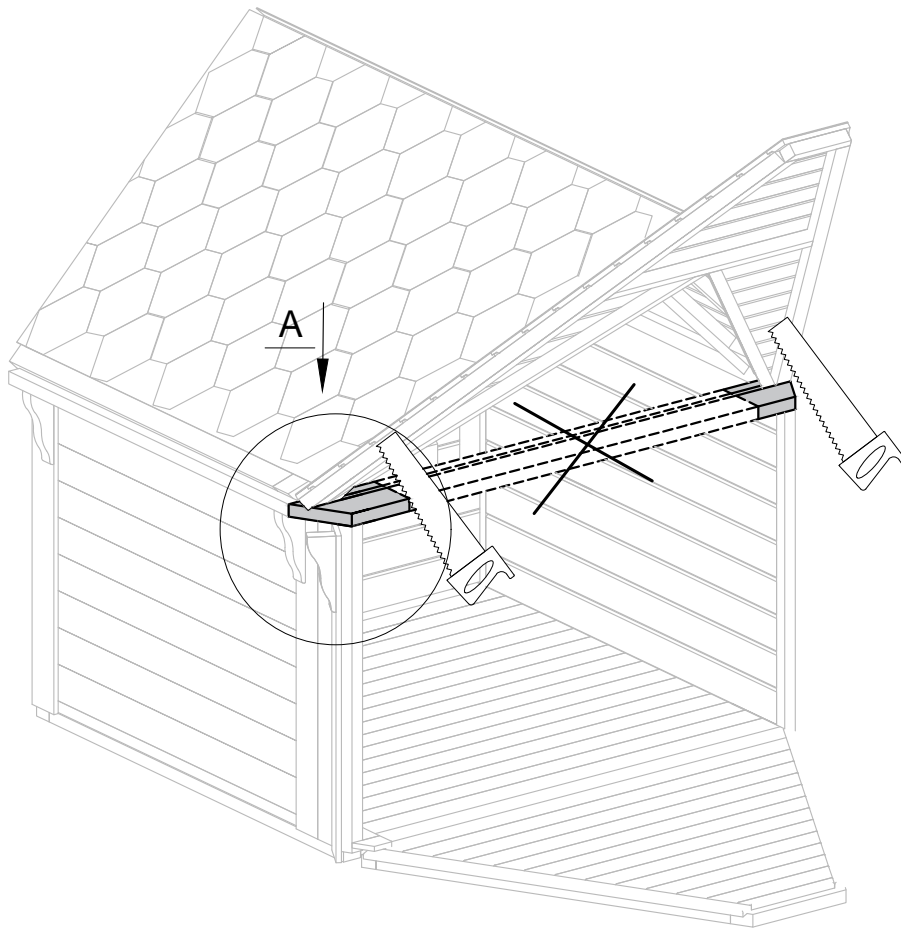


② x12

T-GC-3.5x45



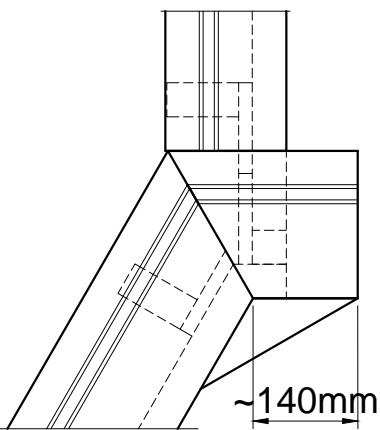
15. Extension



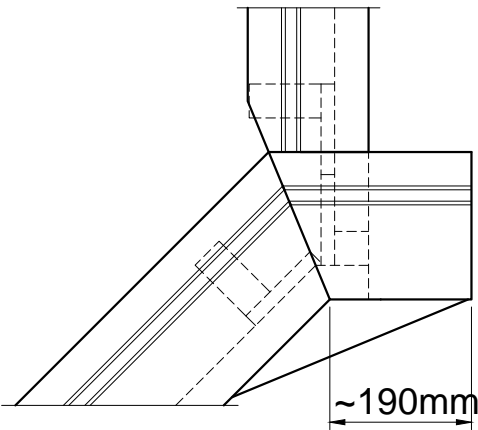
A

A

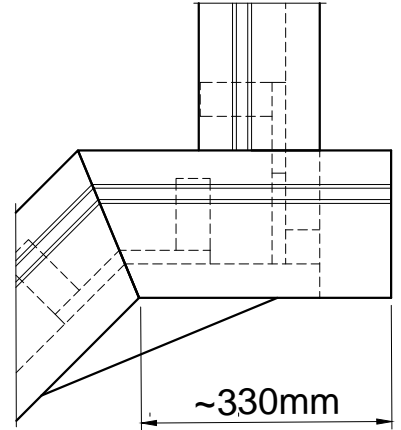
A



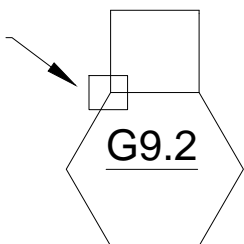
~140mm



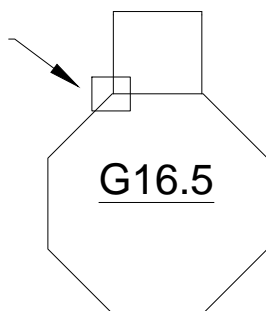
~190mm



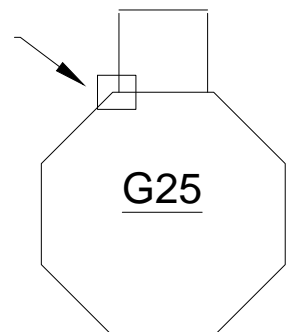
~330mm



G9.2

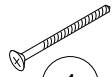


G16.5



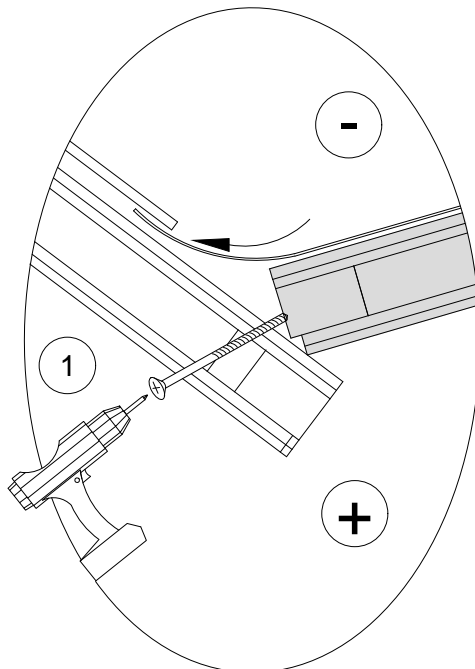
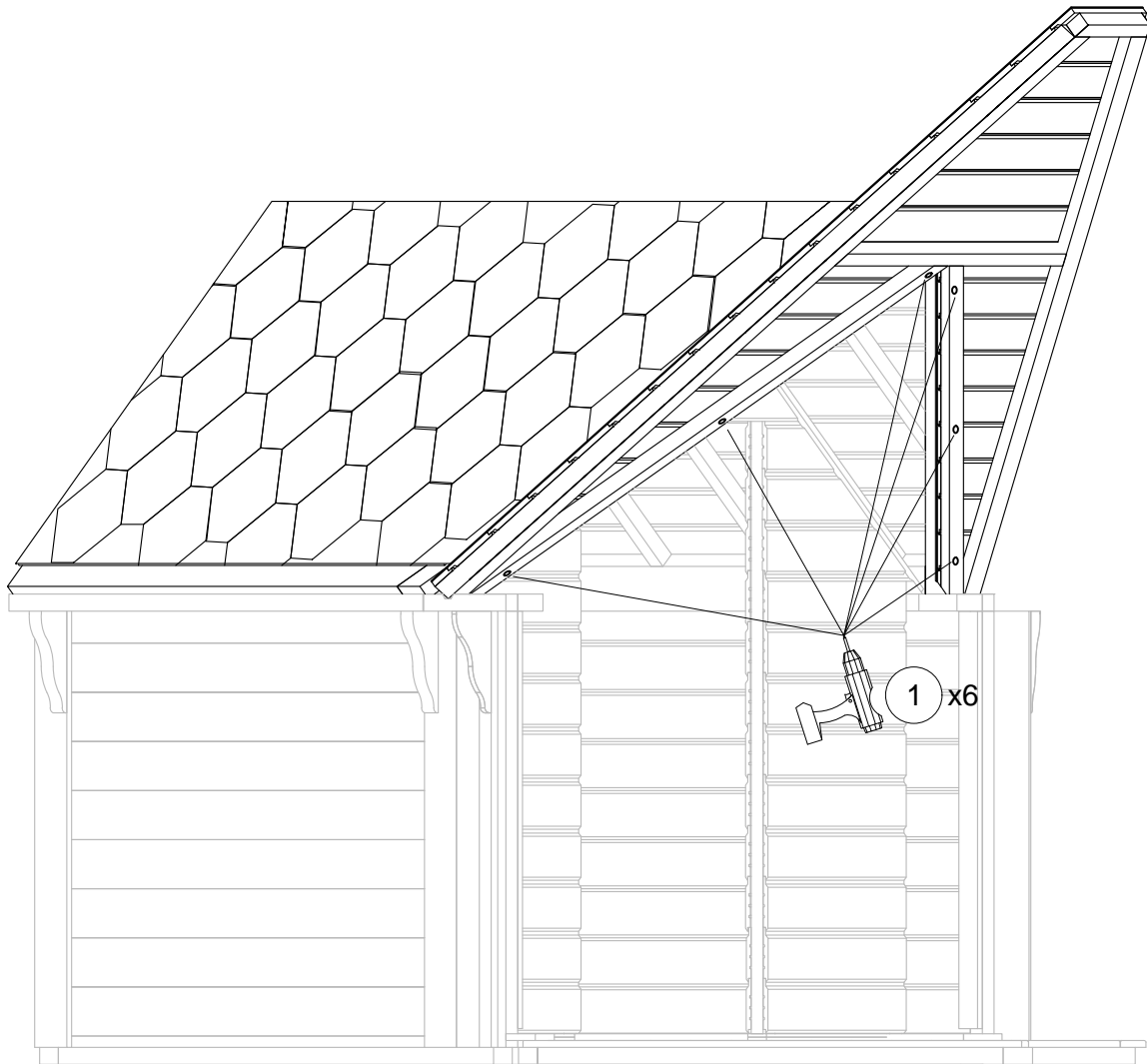
G25

16. Extension ROOF FIX

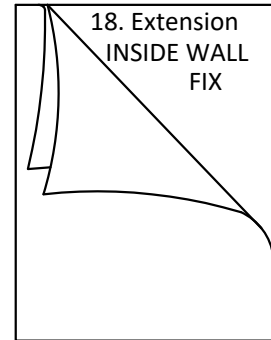
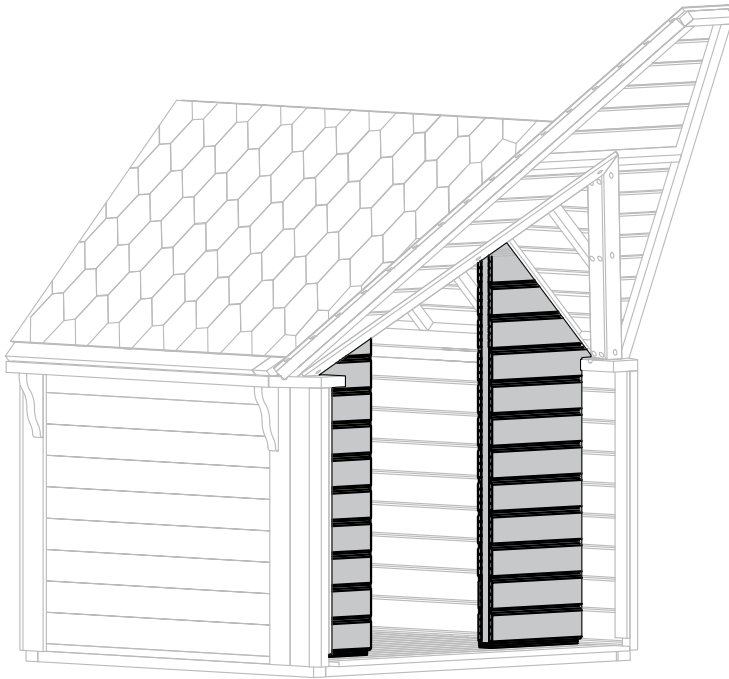


1 x6

T-GC-5x100

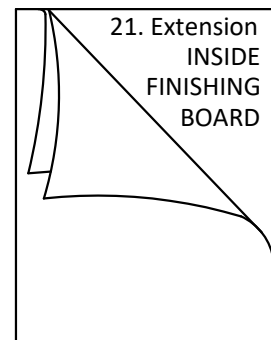
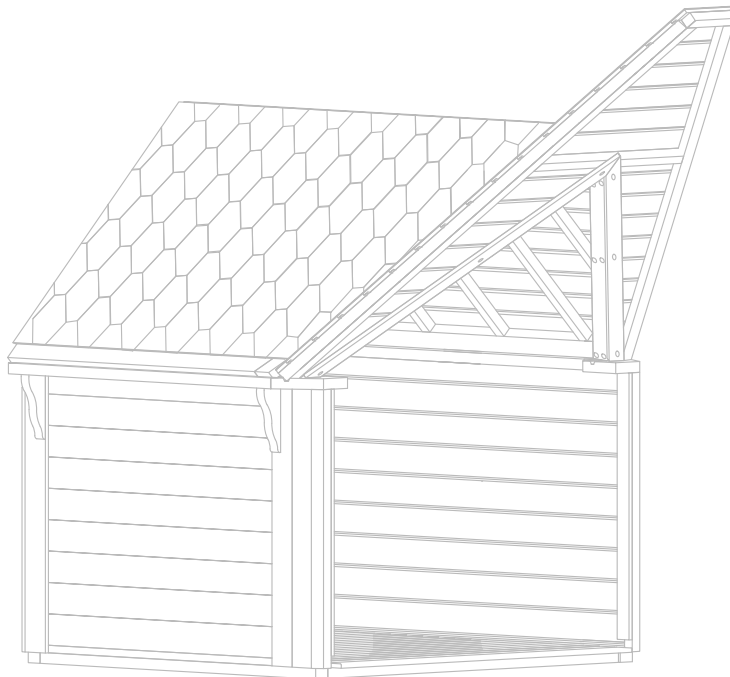


17. Extension



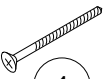
WITH INSIDE WALL


OR



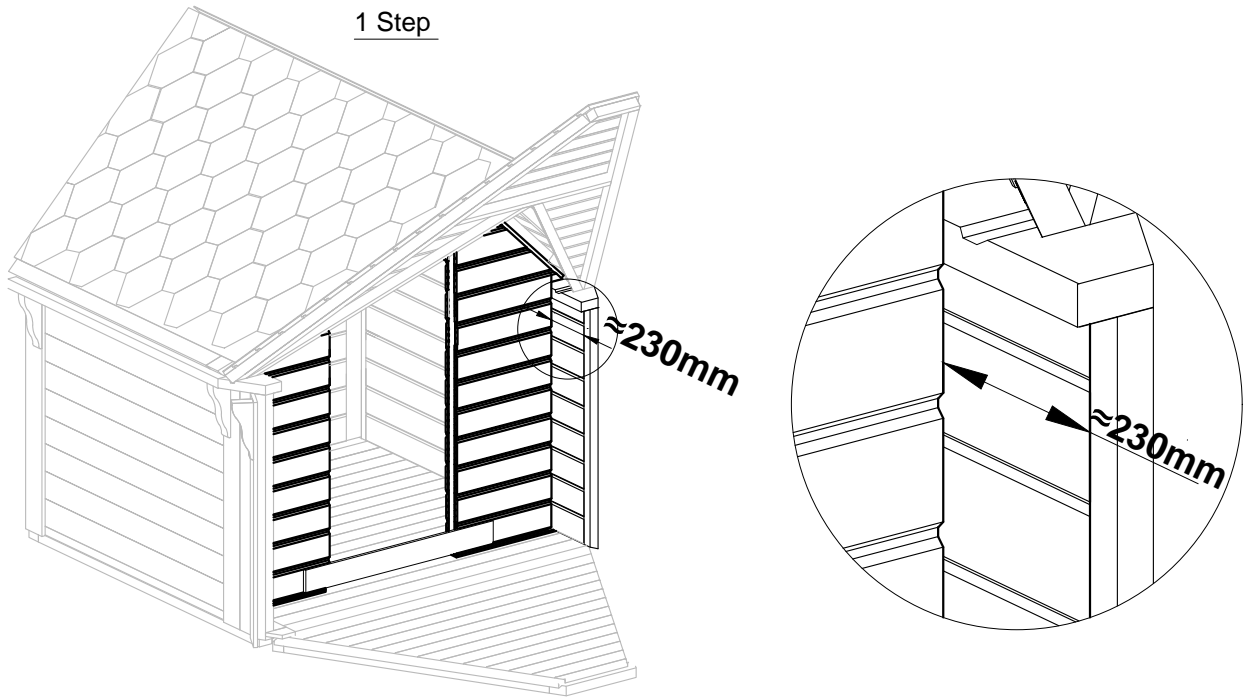
WITHOUT INSIDE WALL

18. Extension INSIDE WALL FIX

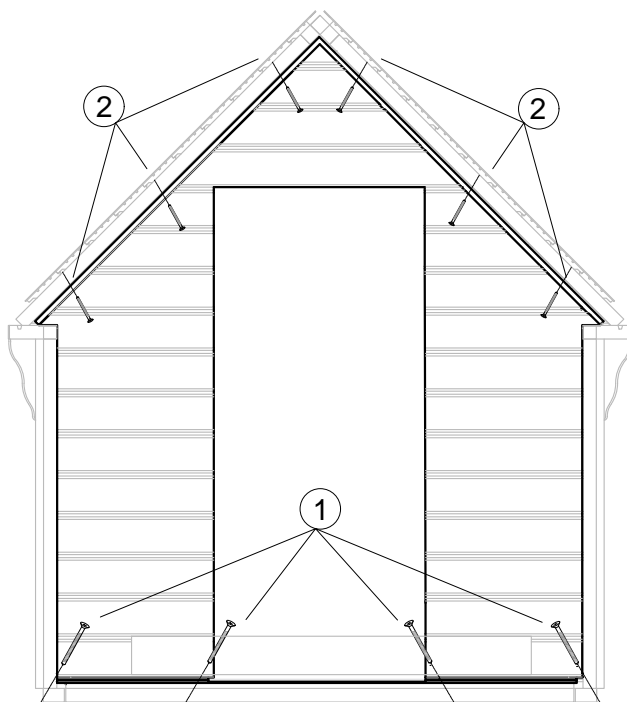

① x4
T-GC-5x100


② x6
T-GC-4x70

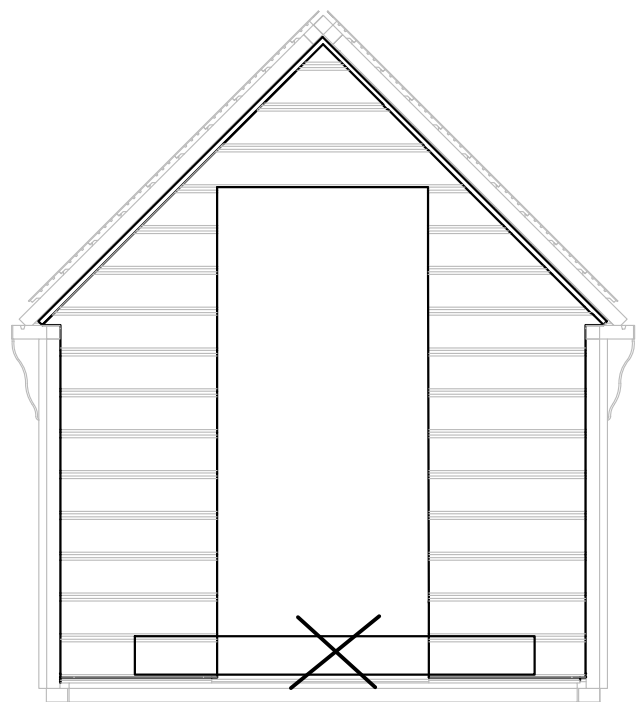
1 Step



2 Step



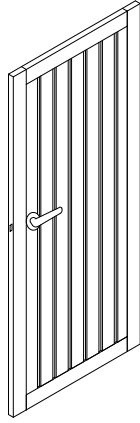
3 Step



19. Extension INSIDE DOOR

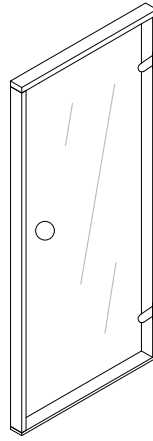
① x1

PUS00335
or
PUS00338
or
PUS00336
or
PUS00339



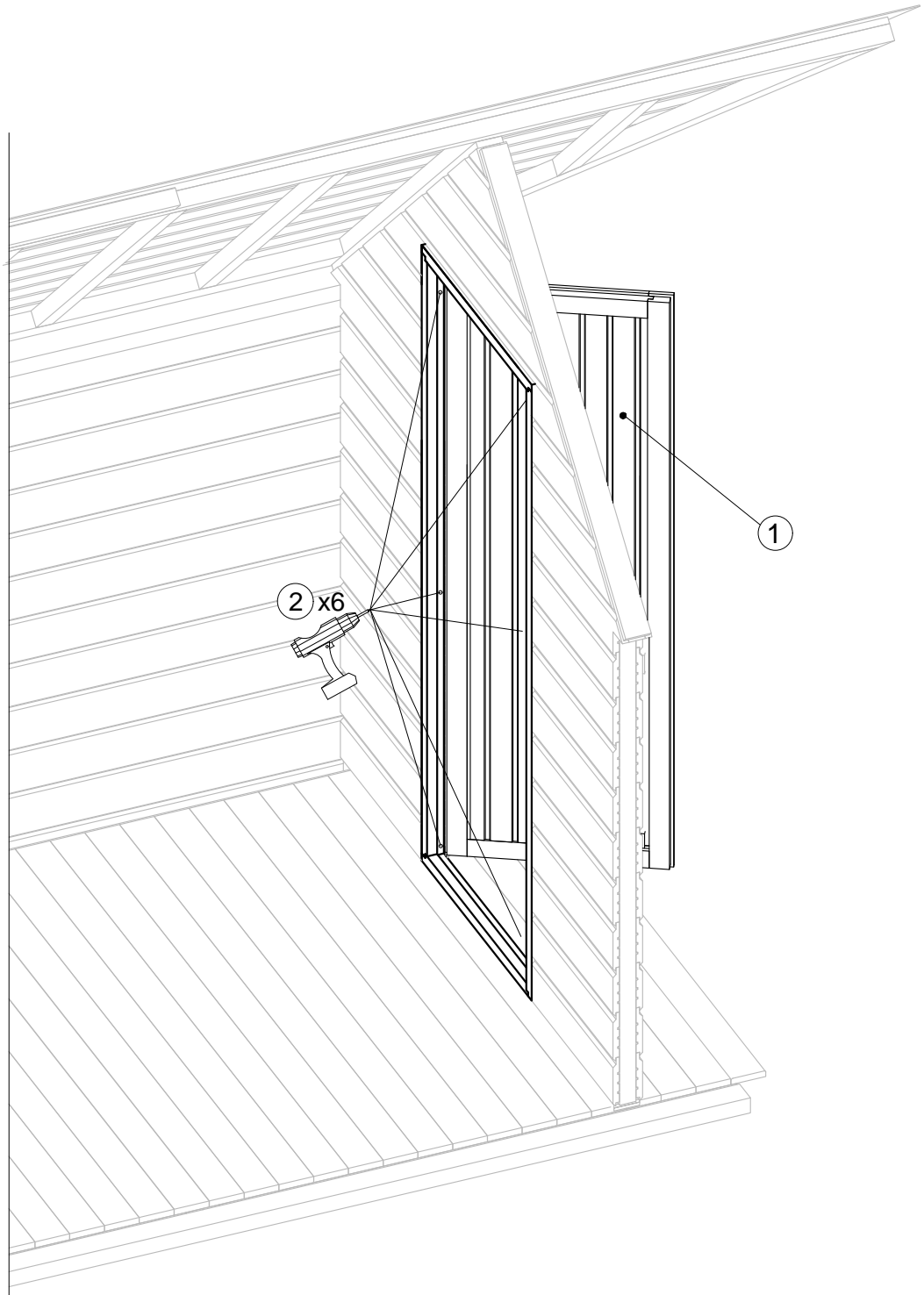
① x1

PUS00232
or
PUS00233

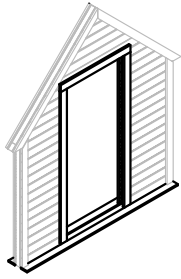


② x6

T-GC-5x100



20.1 Extension INSIDE WALL FINISHING BOARD



① x2

M-18x70x1599



② x4

M-18x70x1640
or
M-18x70x1490
or
M-18x70x1840
or
M-18x70x1620



③ x2

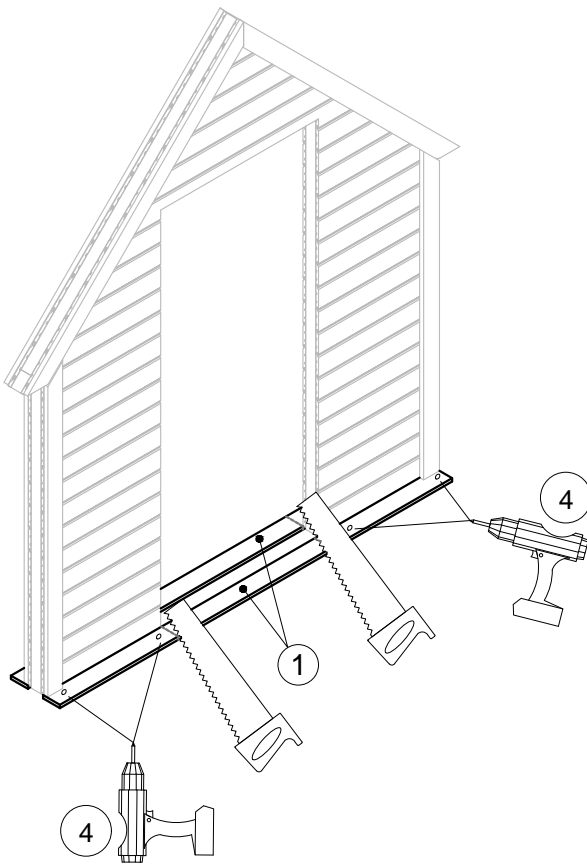
M-18x70x810
or
M-18x70x1120



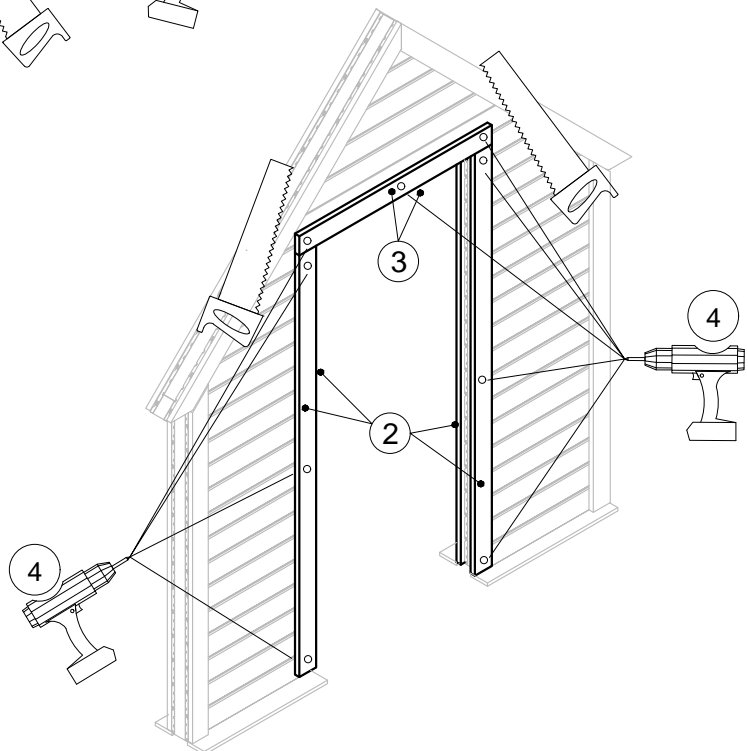
④ x46

T-GC-3.5x45

1 Step



2 Step

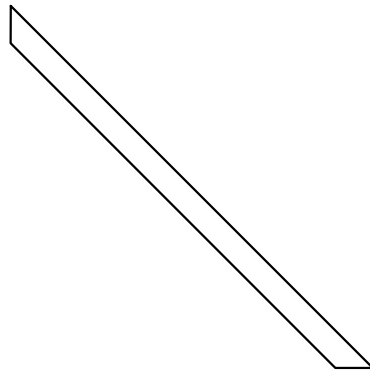


21. Extension INSIDE FINISHING BOARD



① x2

M-18x70x1210-F
or
M-18x70x1340-F
or
M-18x70x1470-F

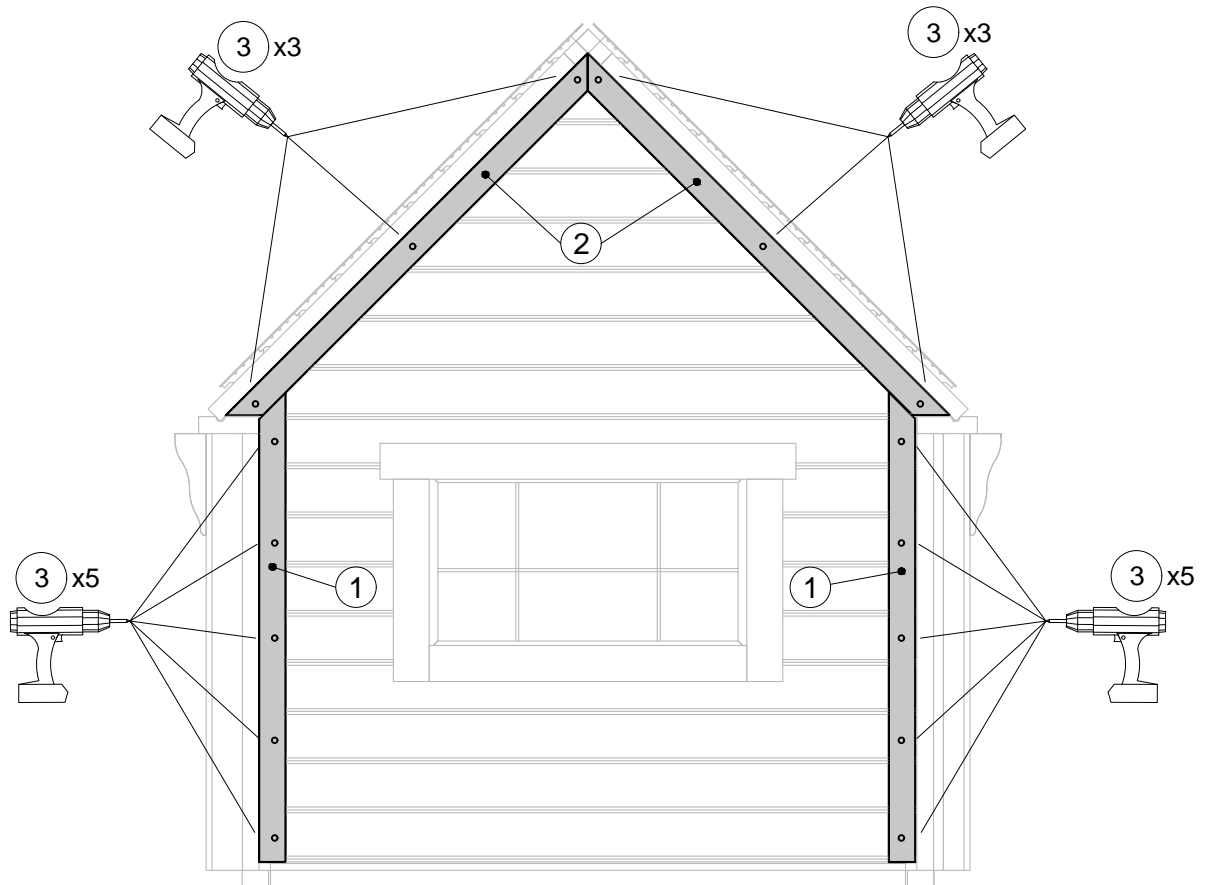


② x2

M-18x70x1355-F
or
M-18x50x1320-F



③ x16
T-GC-3.5x45



22. Extension INSIDE FINISHING BOARD



① x4

M-18x70x1105
or
M-18x70x1235
or
M-18x70x1365

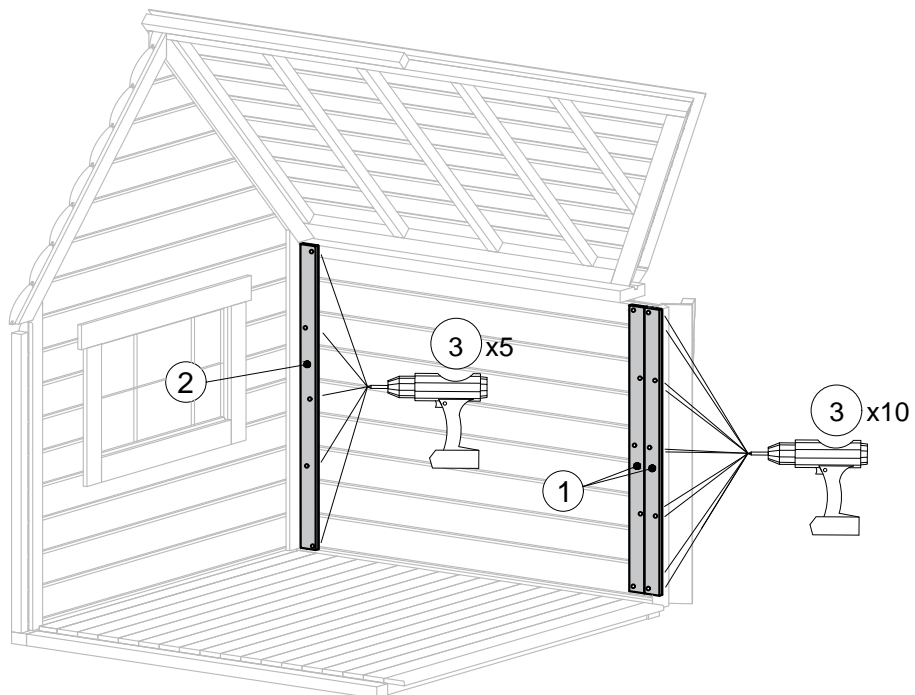
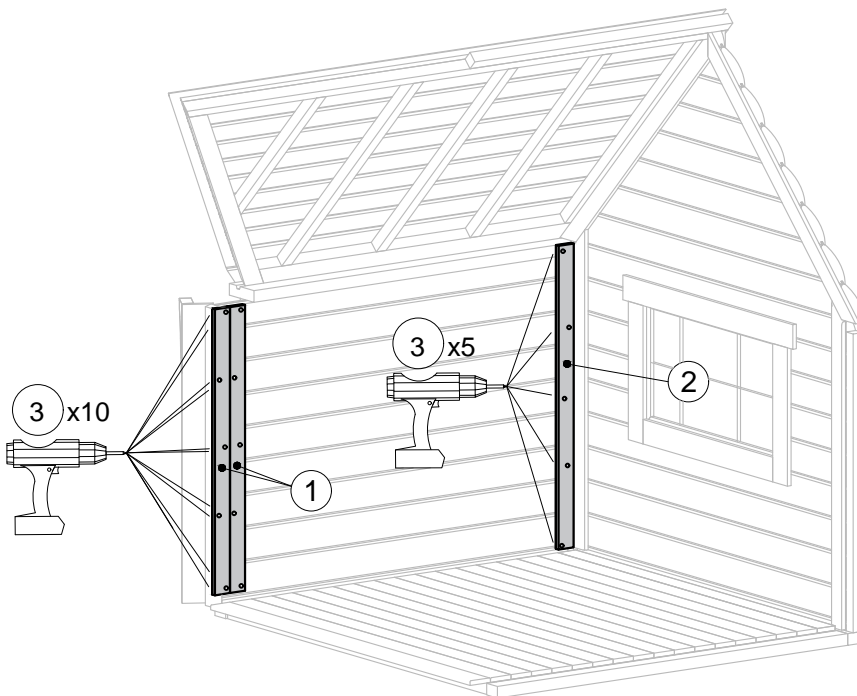


② x2

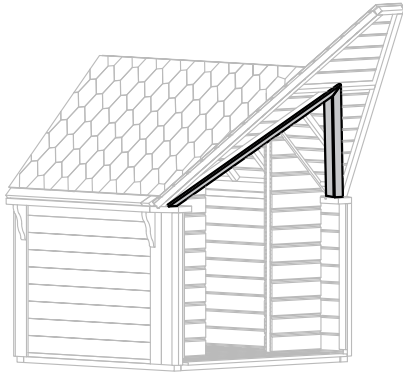
M-18x70x1150
or
M-18x70x1280
or
M-18x70x1410



③ x30
T-GC-3.5x45



23. Extension INSIDE FINISHING BOARD



① x2

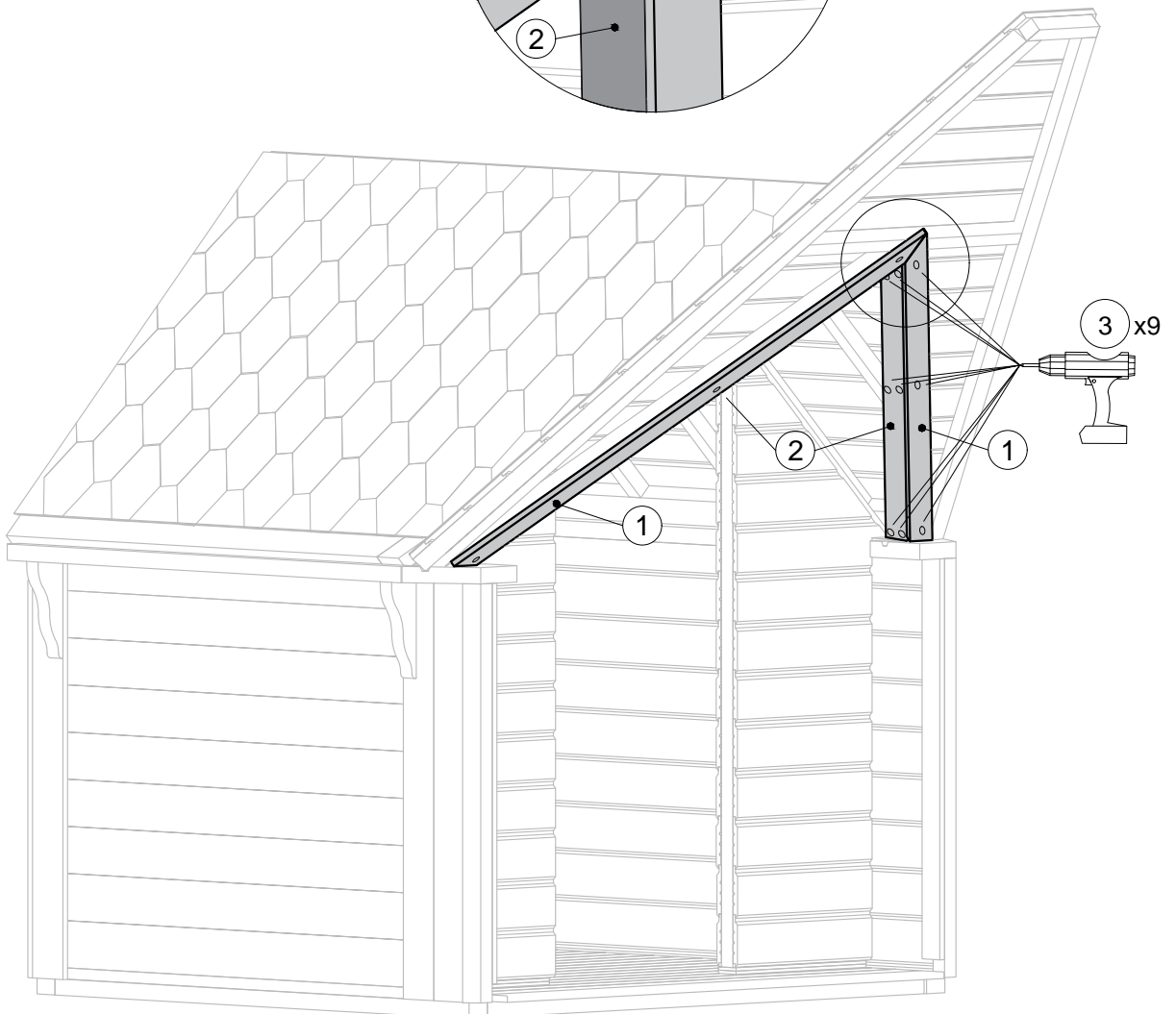
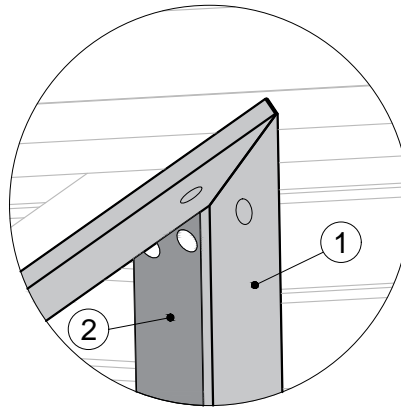
M-18x70x1580-F
or
M-18x70x1565-F

② x2

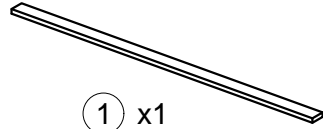
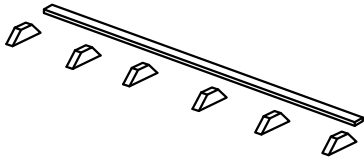
M-18x120x1610-F
or
M-18x120x1595-F



③ x18
T-GC-3.5x45



24. Extension INSIDE FINISHING BOARD



① x1

M-18x70x2400
or
M-18x70x3200
or
M-18x70x3700

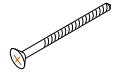


② x 7 (3m²)

or
② x 9 (4.3m²)
or

② x 10 (5.2m²)

M-45x70x250-F

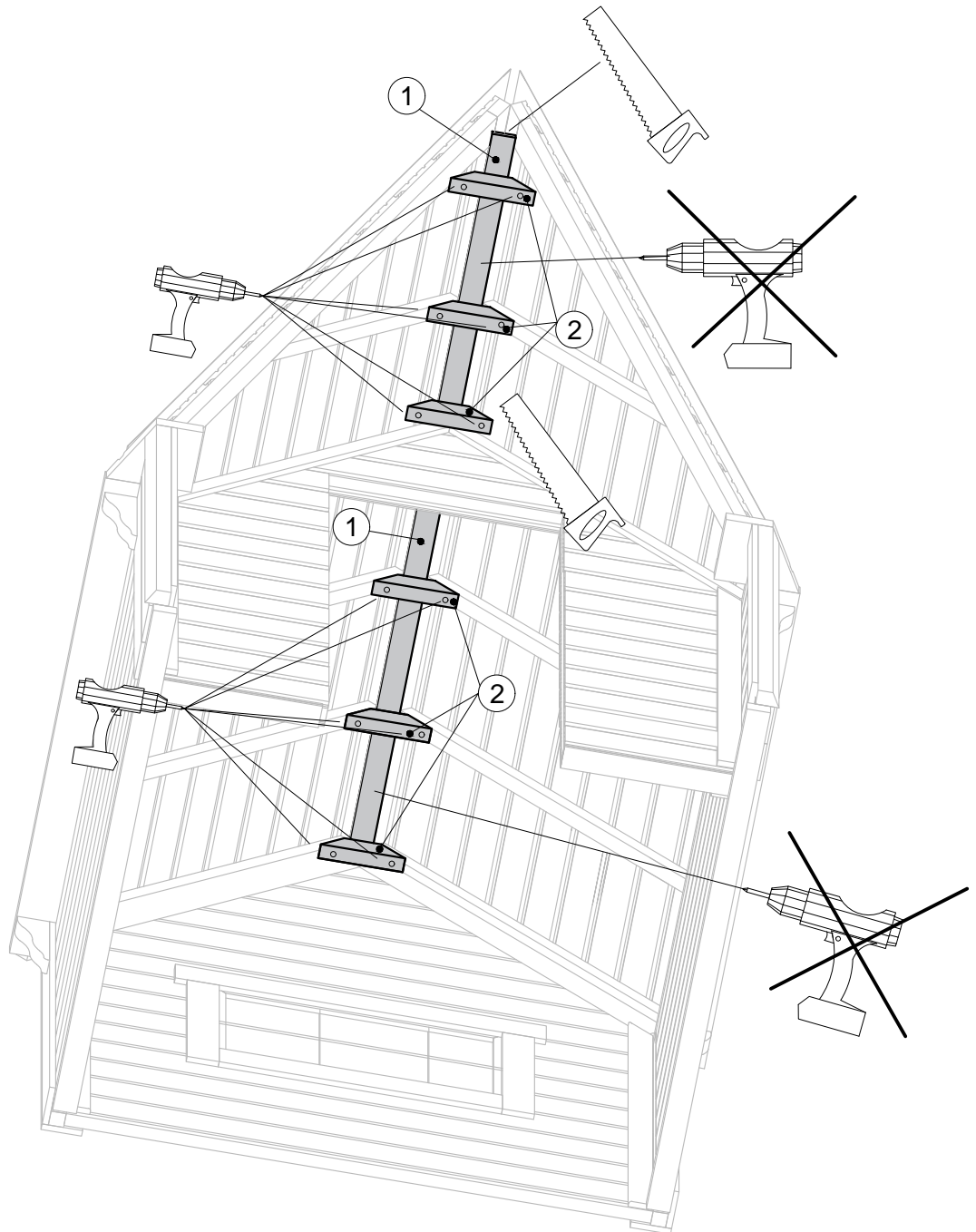


③ x 14 (3m²)

or
③ x 18 (4.3m²)
or

③ x 20 (5.2m²)

T-GC-5x80

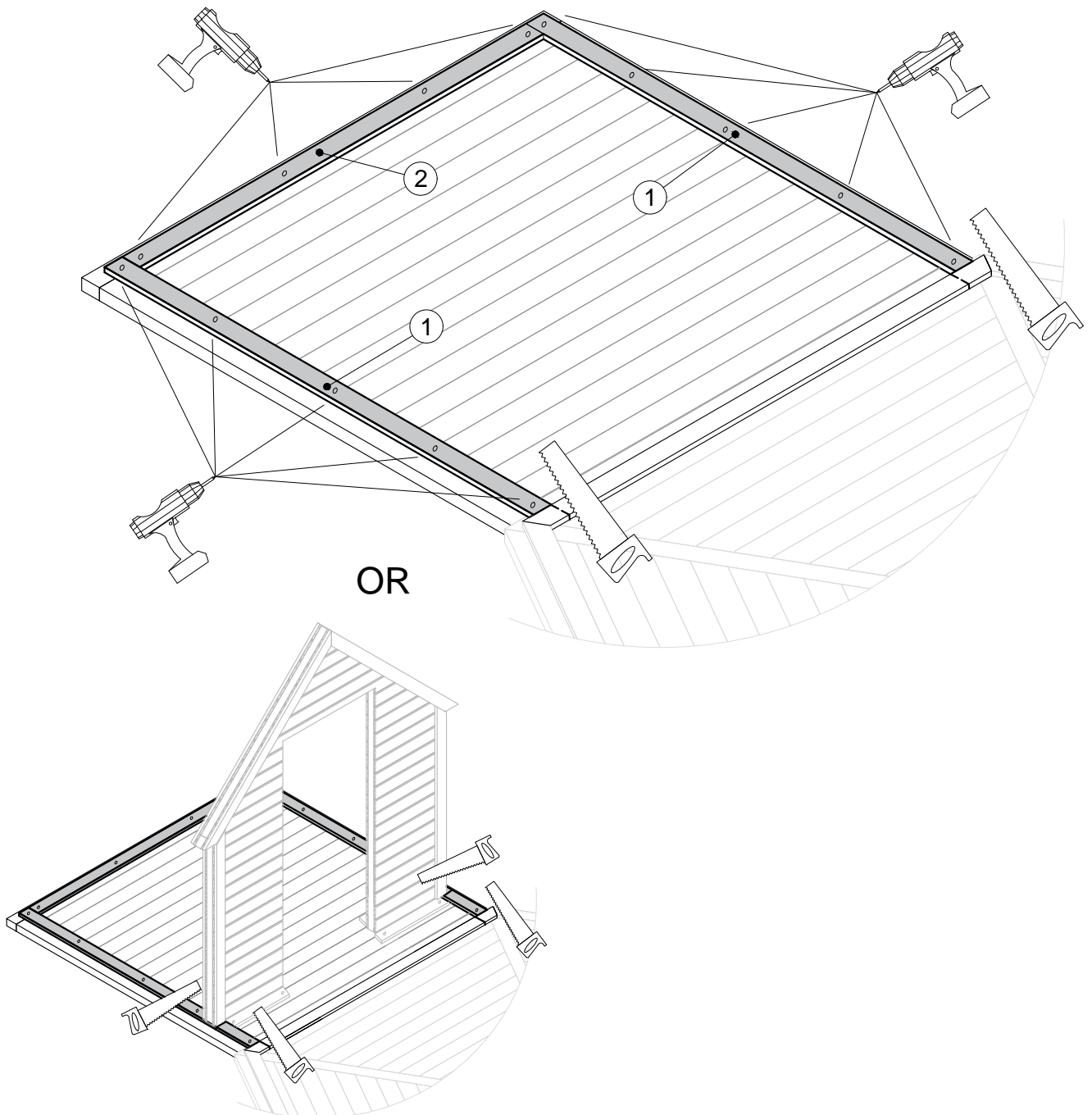


25. Extension FLOOR FINISHING BOARD

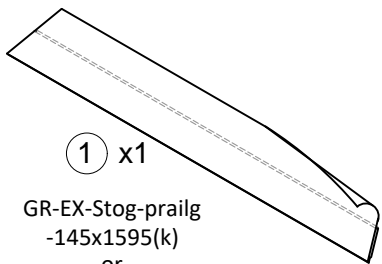
① x2
M-18x70x1700
or
M-18x70x2500
or
M-18x70x3000

② x1
M-18x70x1599

③ x24
T-GC-3.5x45



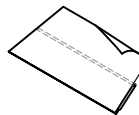
26. Extension ROOF FINISHING



① x1

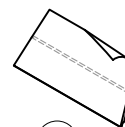
GR-EX-Stog-prailg
-145x1595(k)
or
GR-EX-Stog-prailg
-145x2395(k)
or
GR-EX-Stog-prailg
-145x2895(k)

OR

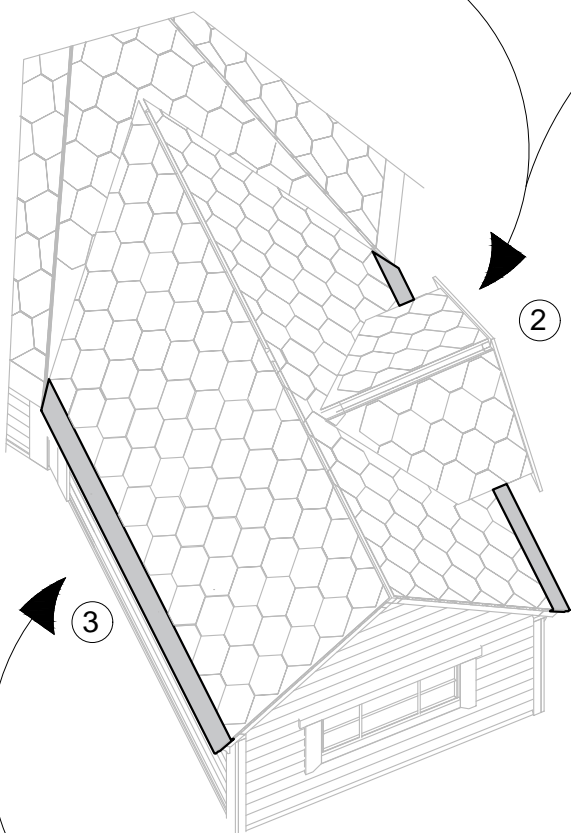


② x1

GR-EX-StogD-prailg-648;948-A850(k)
or
GR-EX-StogD-prailg-648;728-A1070(k)
or
GR-EX-StogD-prailg-648;1448-A850(k)
or
GR-EX-StogD-prailg-648;1228-A1070(k)



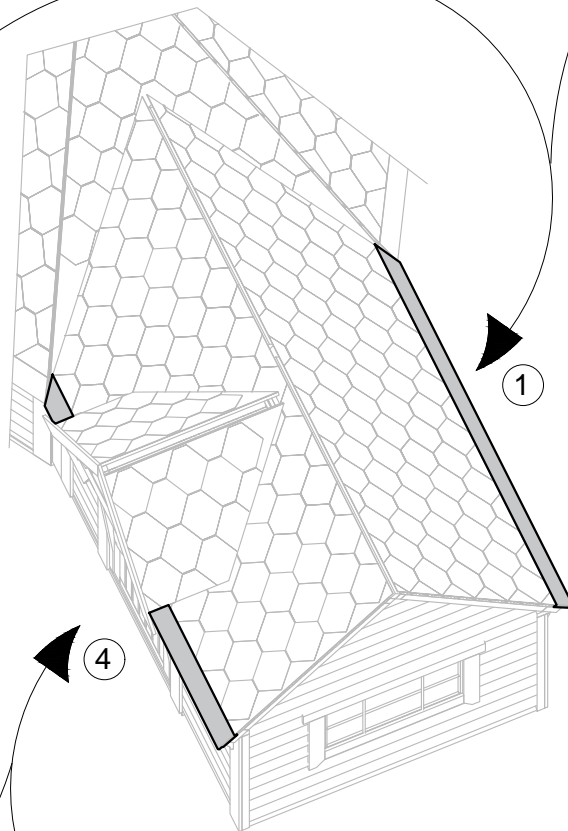
② x1



③

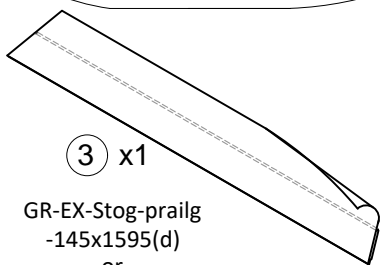
②

OR



①

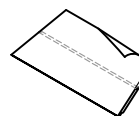
④



③ x1

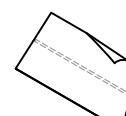
GR-EX-Stog-prailg
-145x1595(d)
or
GR-EX-Stog-prailg
-145x2395(d)
or
GR-EX-Stog-prailg
-145x2895(d)

OR



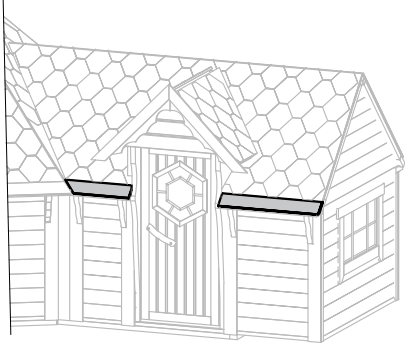
④ x1

GR-EX-StogD-prailg-648;948-A850(d)
or
GR-EX-StogD-prailg-648;728-A1070(d)
or
GR-EX-StogD-prailg-648;1448-A850(d)
or
GR-EX-StogD-prailg-648;1228-A1070(d)

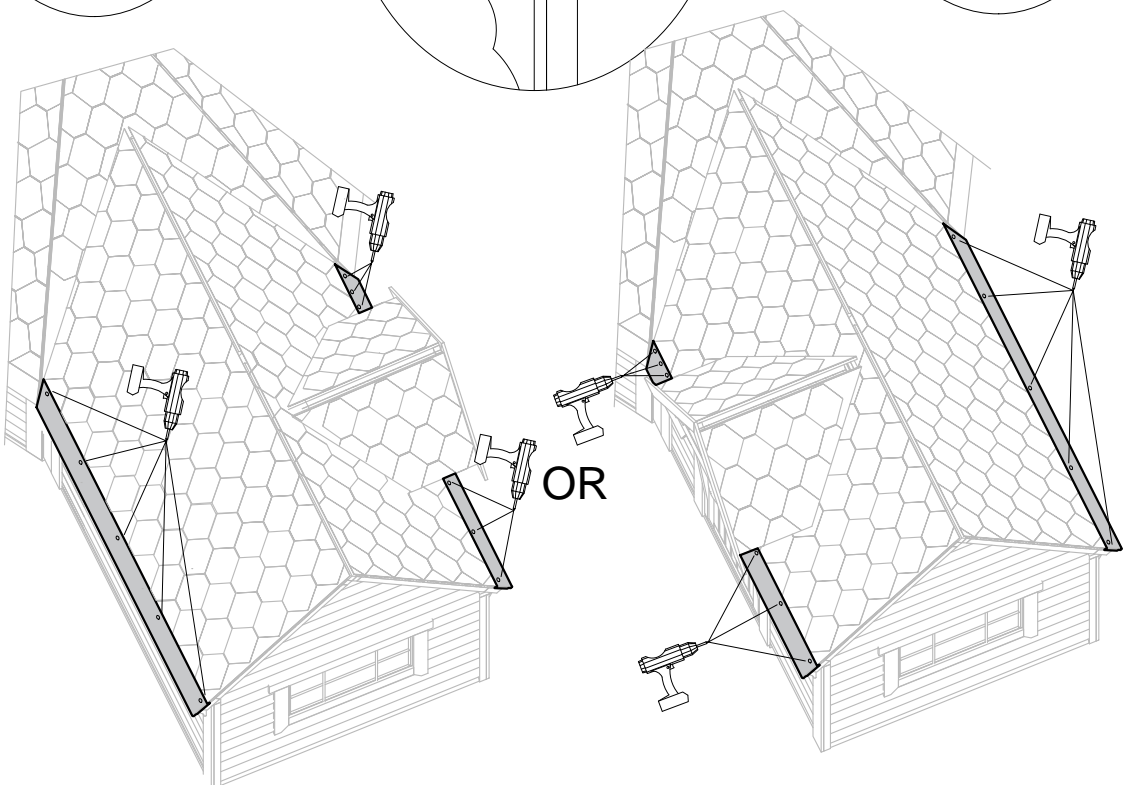
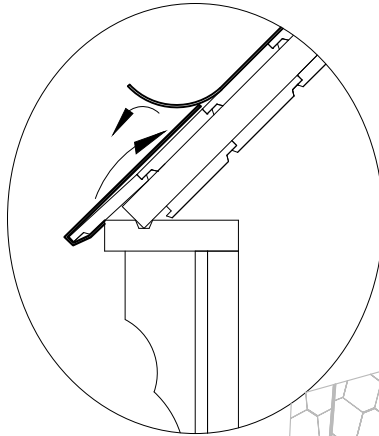
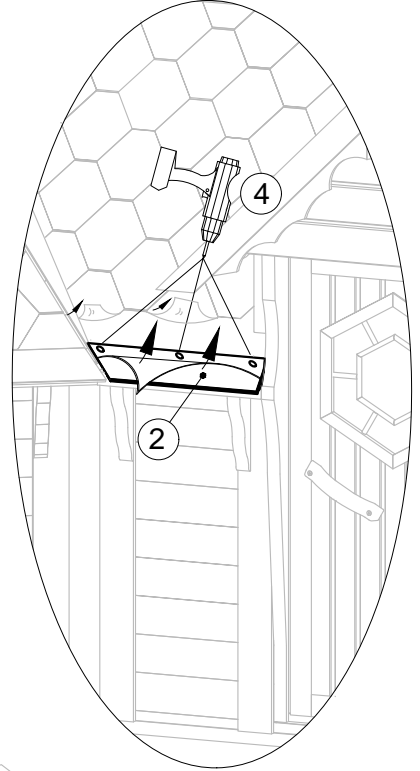
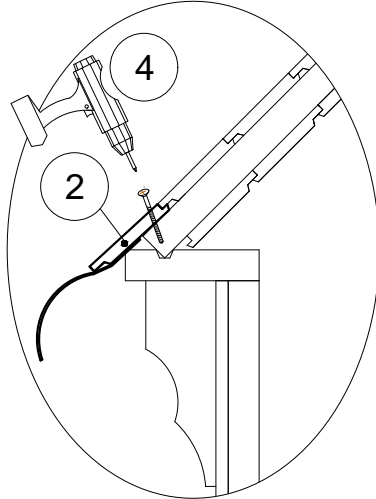
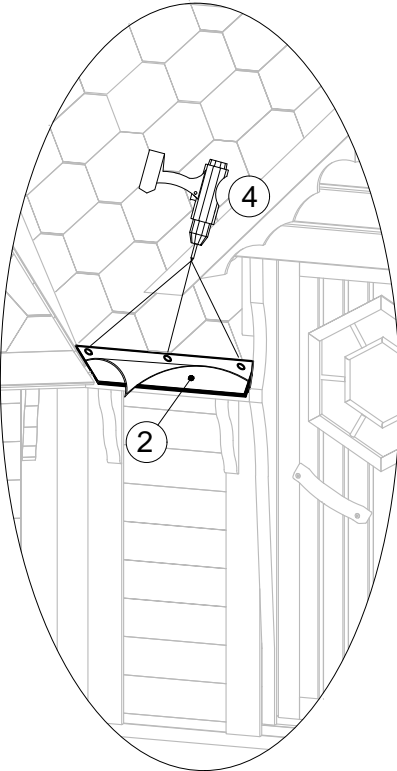


④ x1

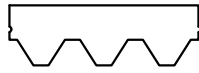
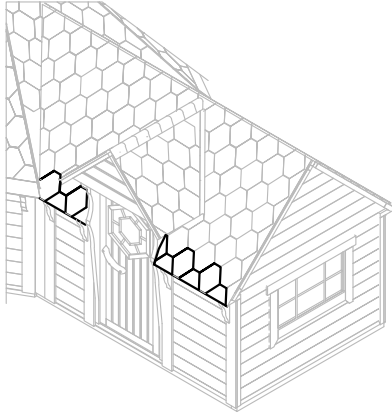
26.1 Extension ROOF FINISHING



① x10
T-BC-4x50

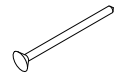


26.2 Extension ROOF FINISHING



① x8

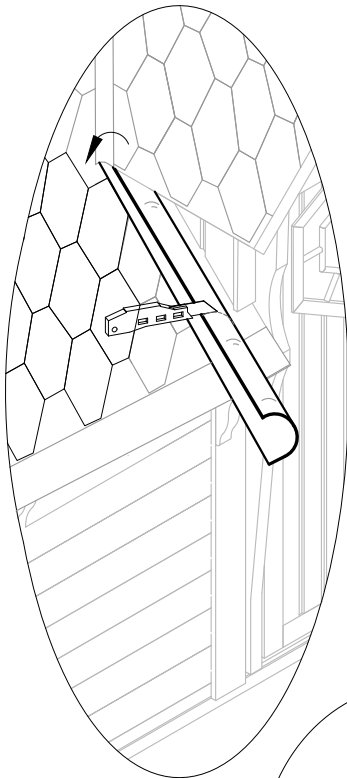
Bitumines-cerpes
-3x317x1000



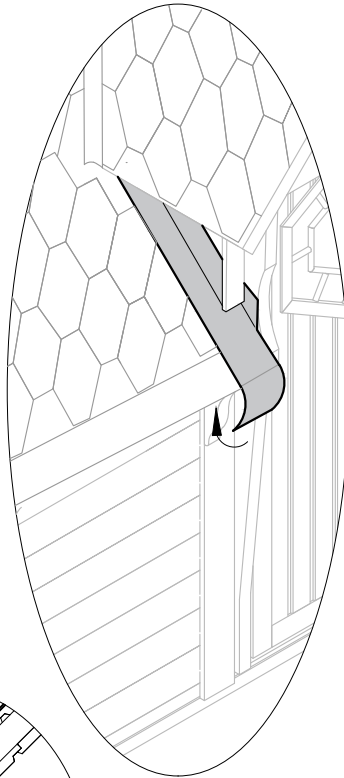
② x160

T-V-2x20

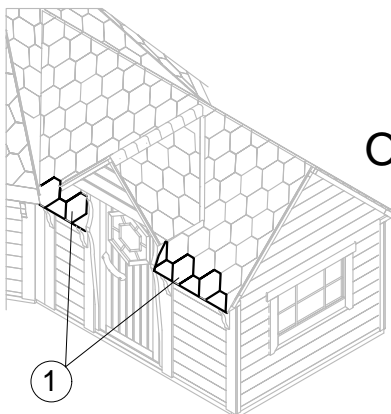
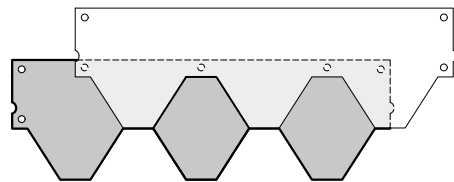
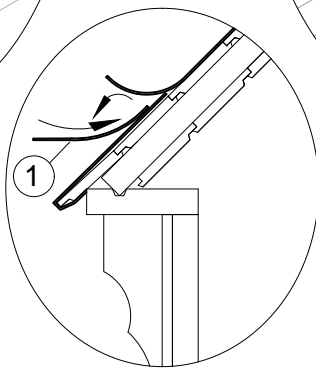
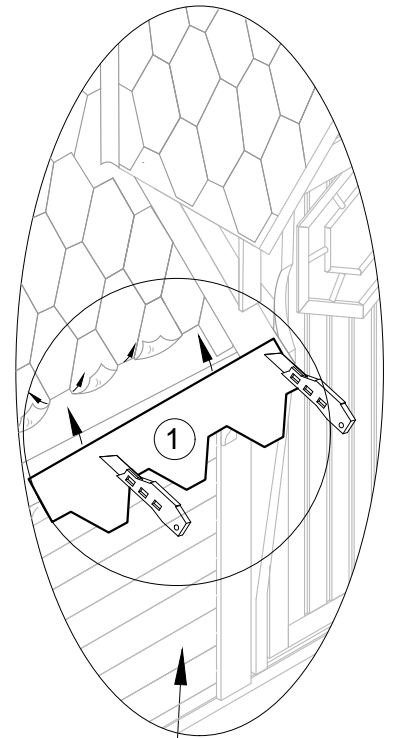
1 Step



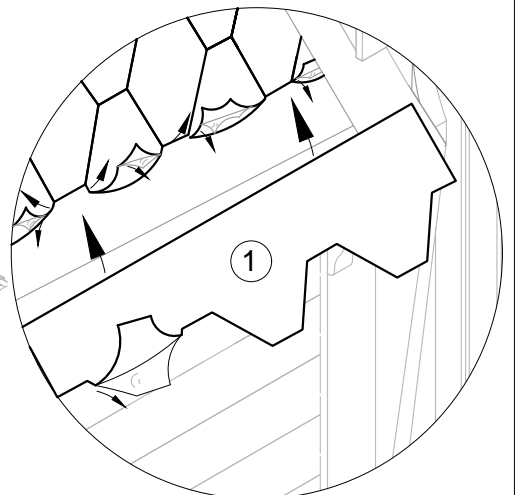
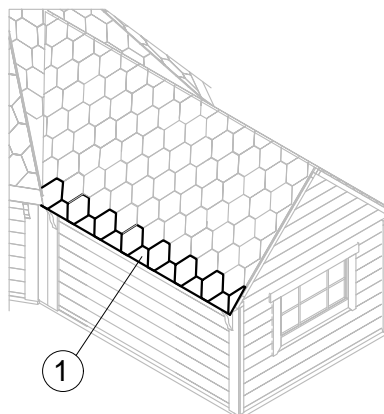
2 Step



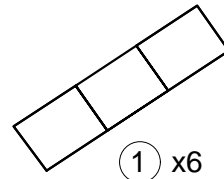
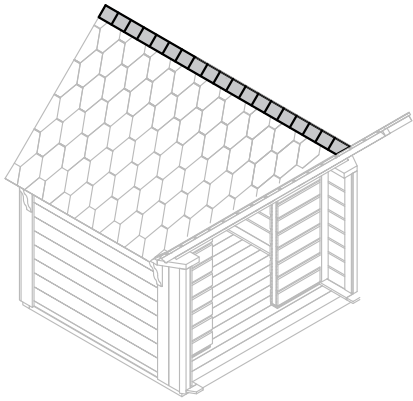
3 Step



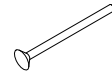
OR



26.3 Extension ROOF FINISHING



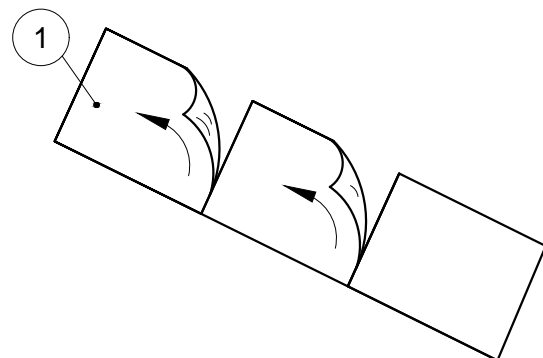
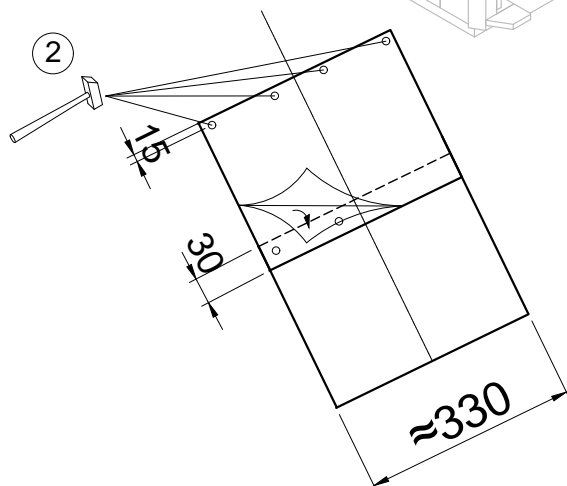
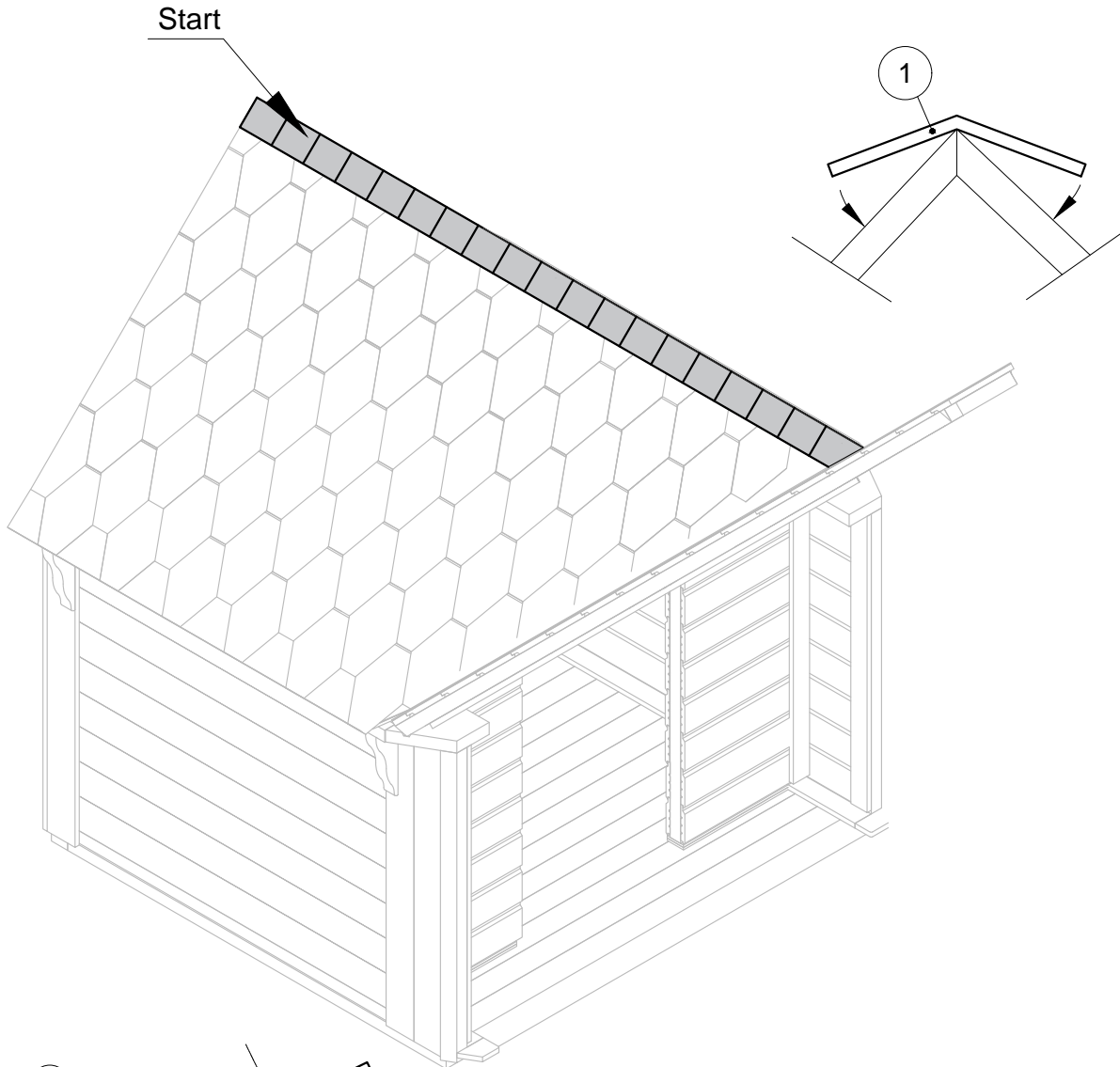
Bitumines-
cerpes-3x1000x250



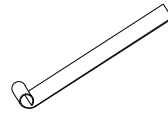
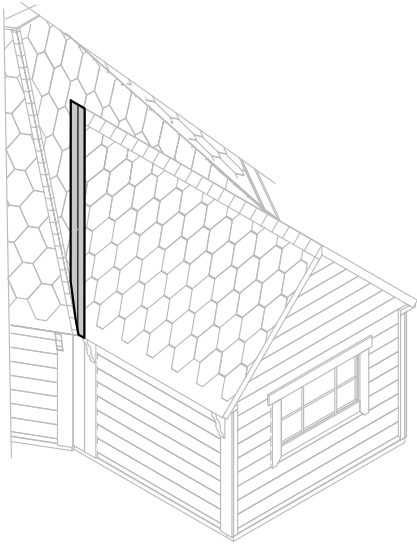
② x 160

T-V-2x20

Start

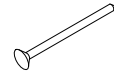


26.4 Extension ROOF FINISHING



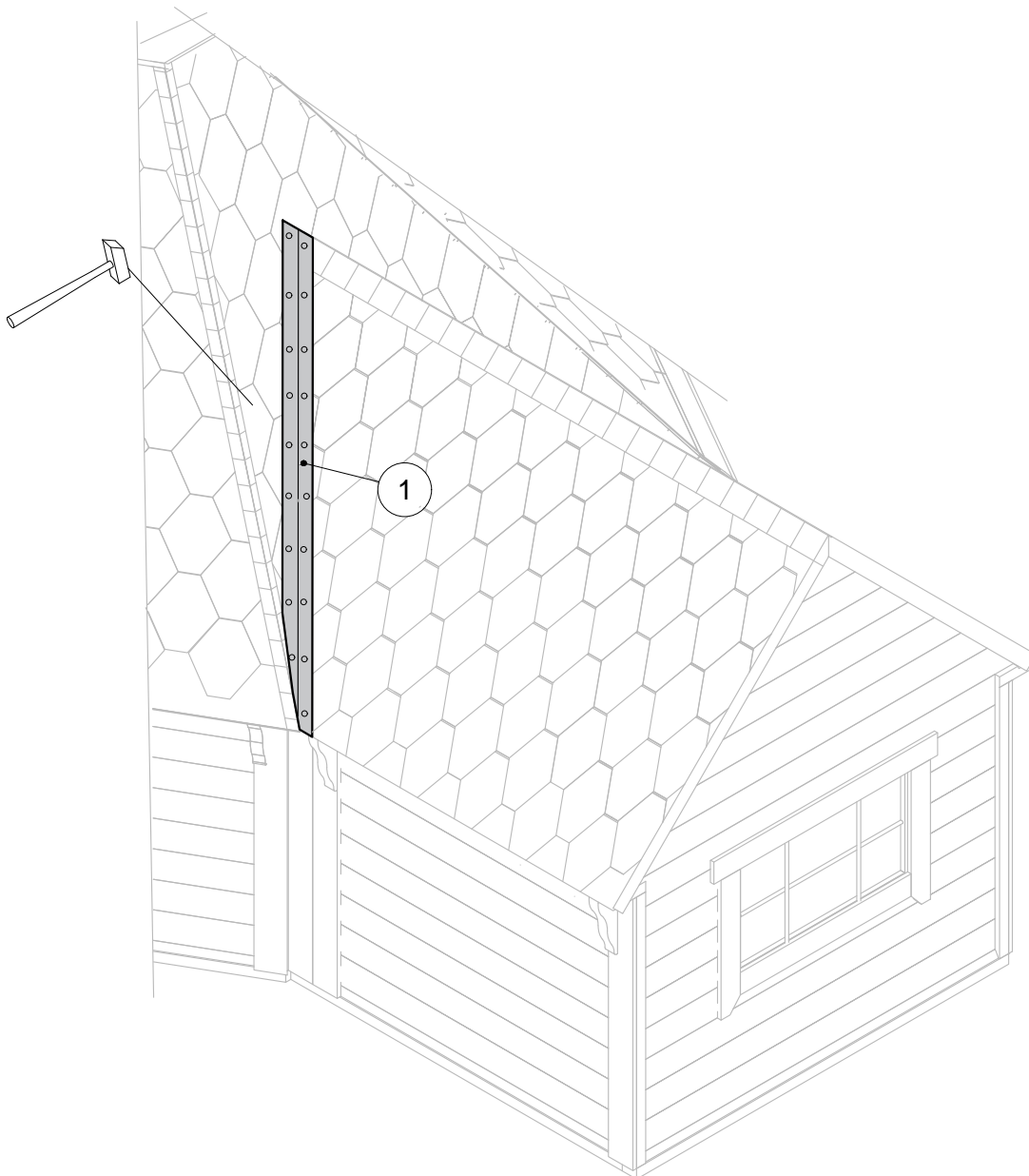
① x2

Bitumine-
juosta-3x200x2500

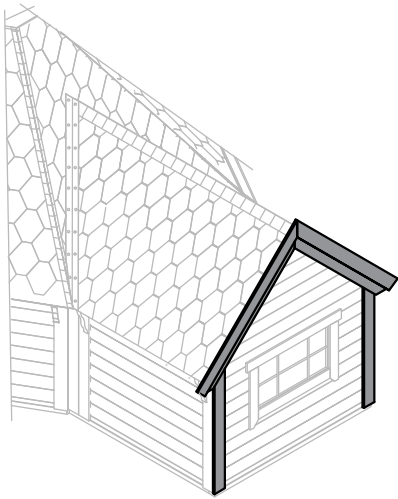


② x 50

T-V-2x20



27. Extension OUTSIDE FINISHING BOARD



① x2

M-18x120x1213-F
or
M-18x120x1343-F
or
M-18x120x1473-F

② x2

M-18x95x1534-F

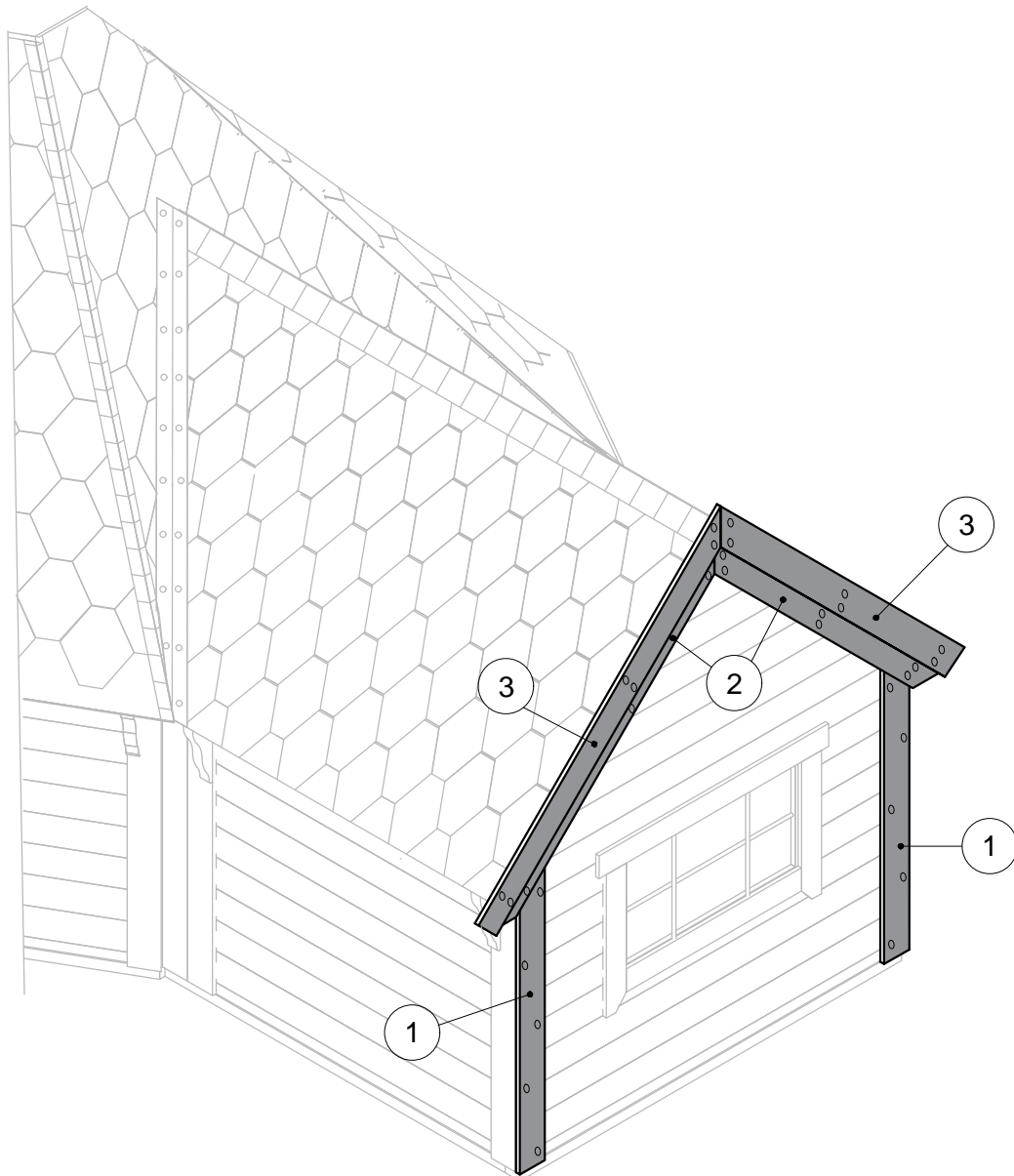
③ x2

M-18x120x1640-F

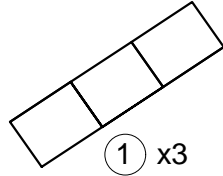
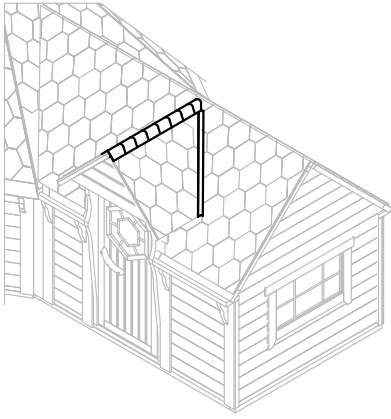


④ x35

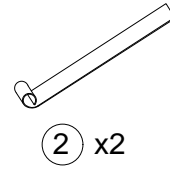
T-BC-4x50



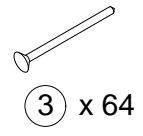
28. Extension ENTRANCE ROOF FINISHING



Bitumines-
cerpes-3x1000x250

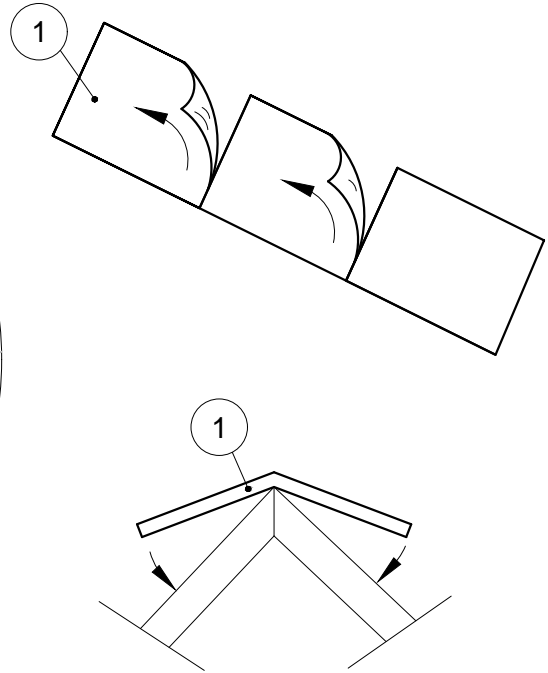
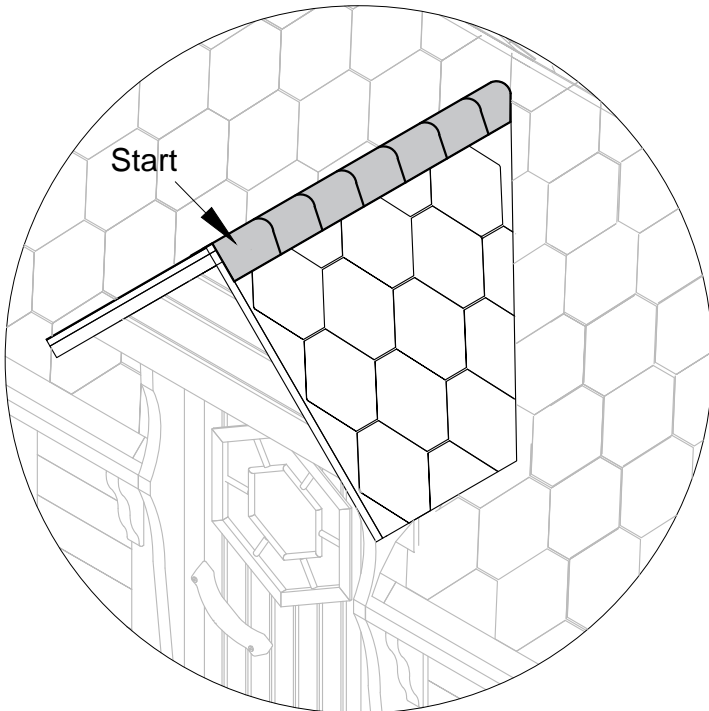


Bitumine-
juosta-3x70x1360
or
Bitumine-
juosta-3x70x1550

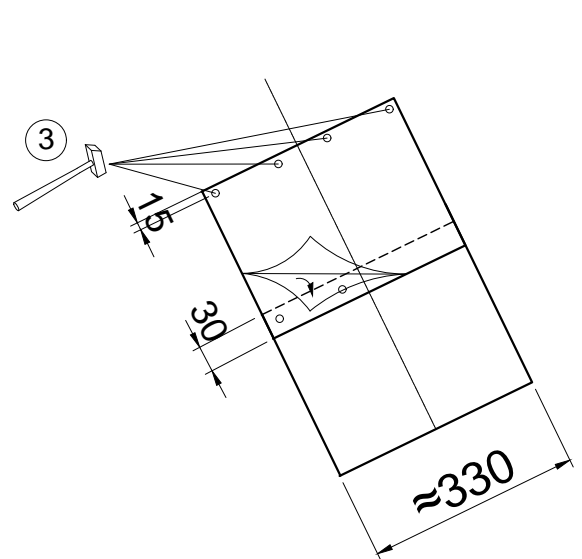
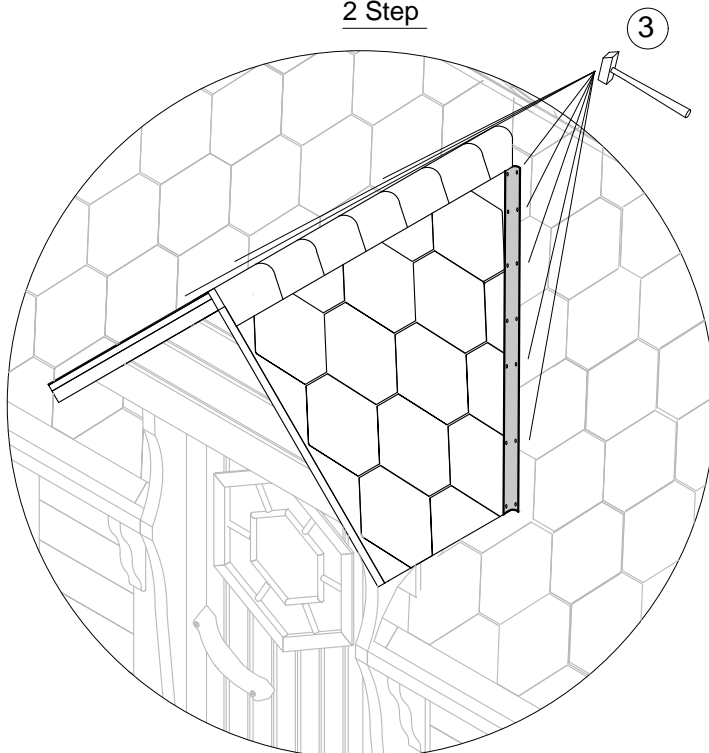


T-V-2x20

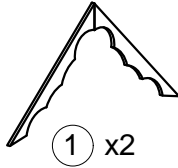
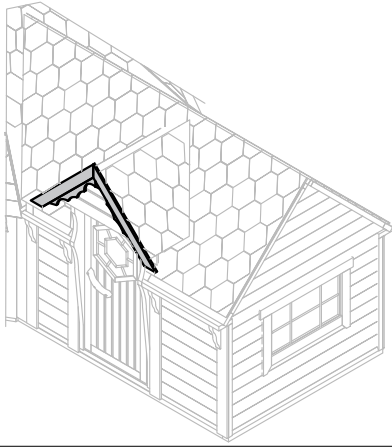
1 Step



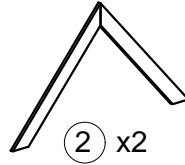
2 Step



29. Extension OUTSIDE FINISHING BOARD



① x2
M-18x95x820-CNC
or
M-18x95x981-CNC

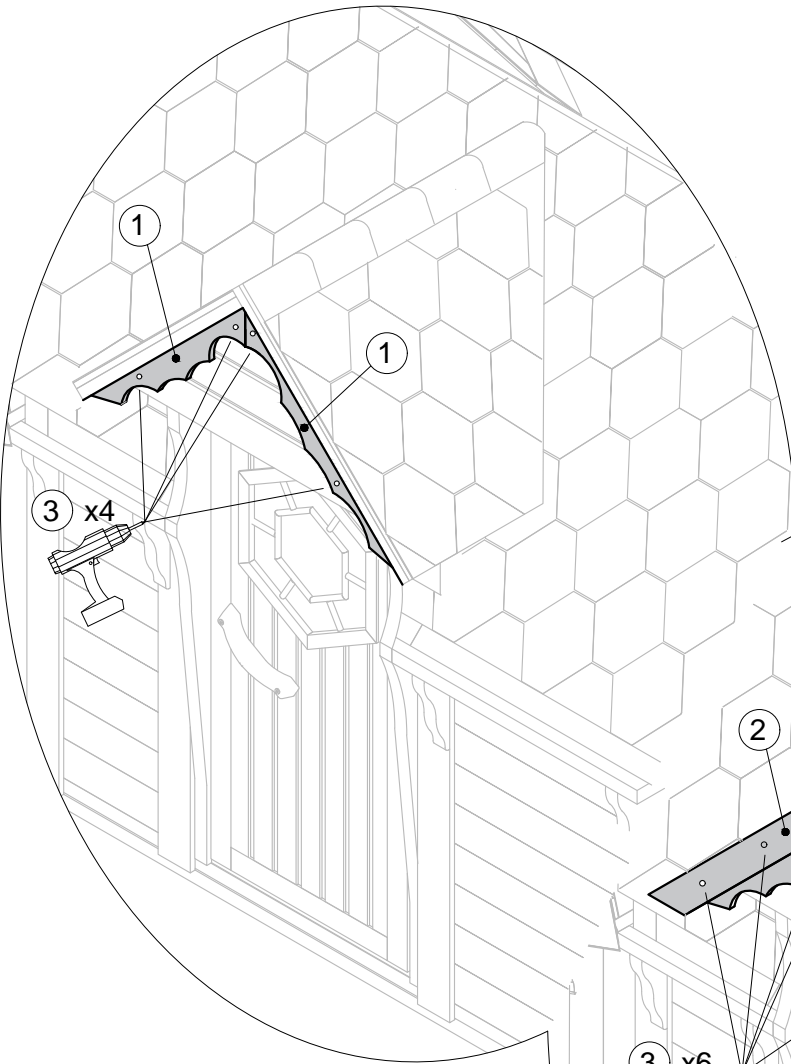


② x2
M-18x95x1050-F
or
M-18x95x1211-F

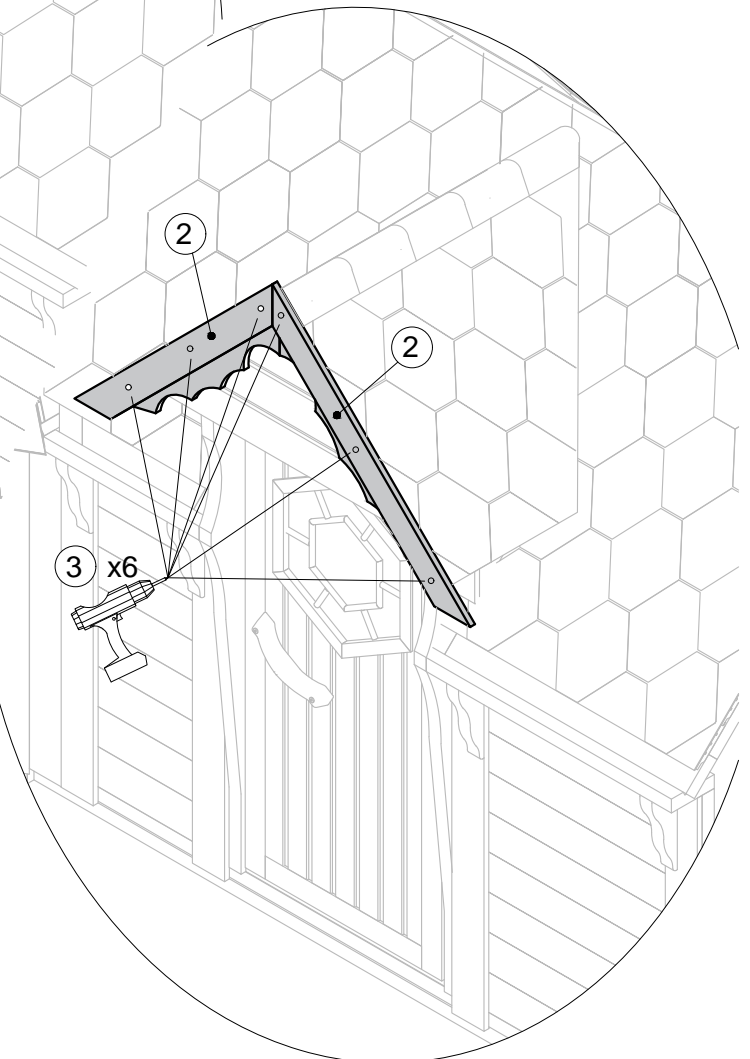


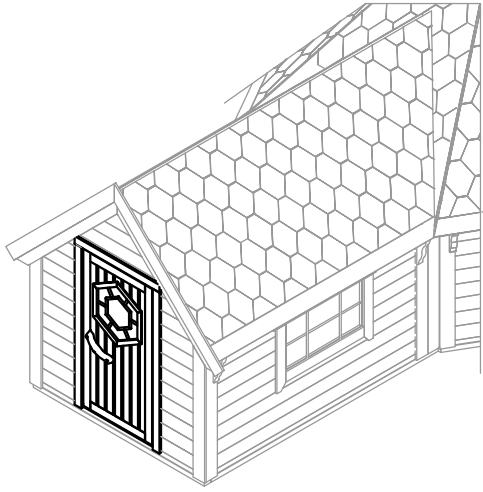
③ x10
T-GC-3.5x45

1 Step



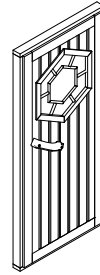
2 Step



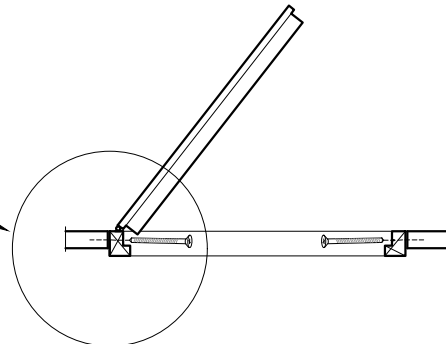
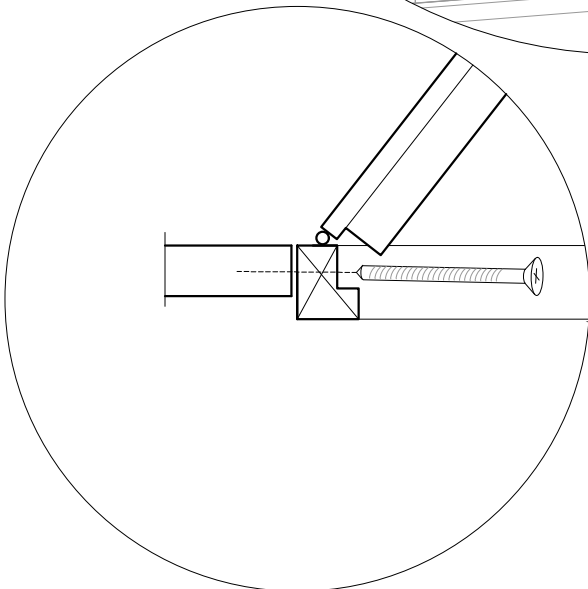
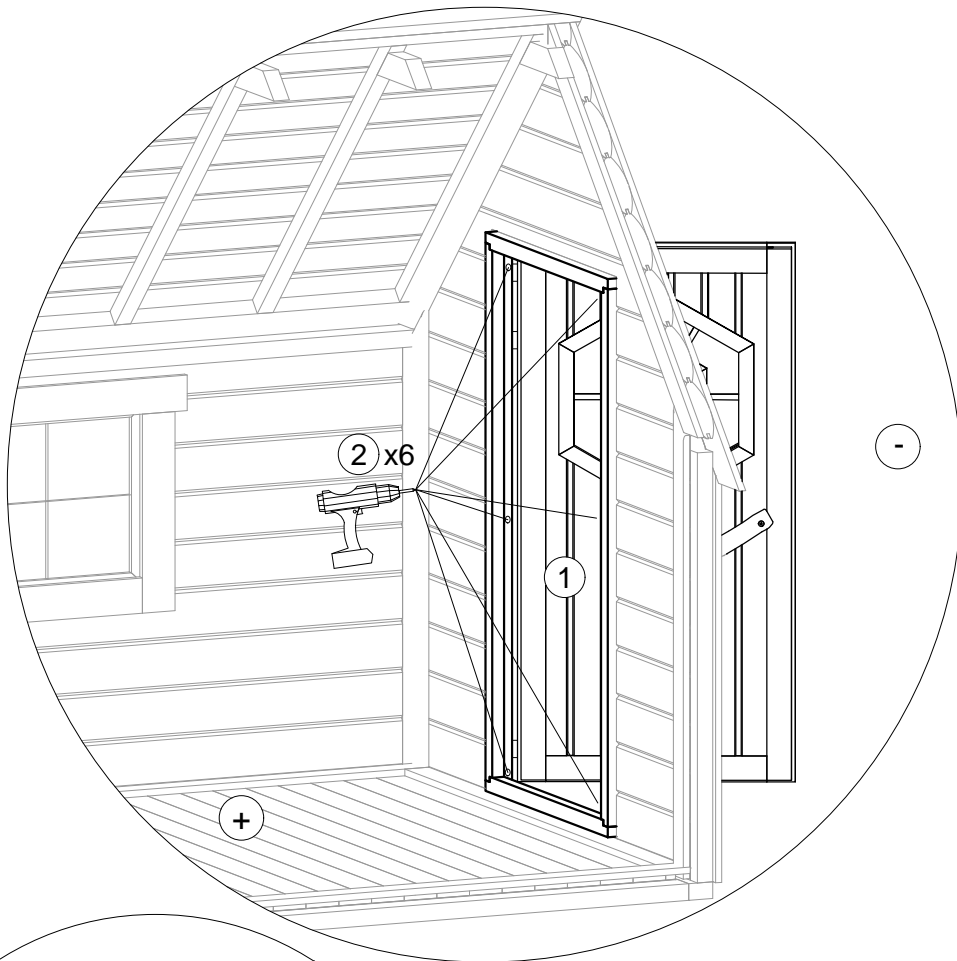


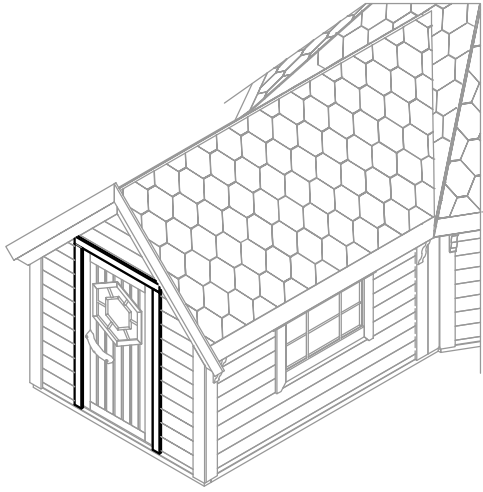
30. Extension OUTSIDE DOOR

① x1
PUS0001
or
PUS0013
or
PUS00320
or
PUS00060
or
PUS00321



② x6
T-GC-5x100





31. Extension OUTSIDE DOOR FINISHING BOARD

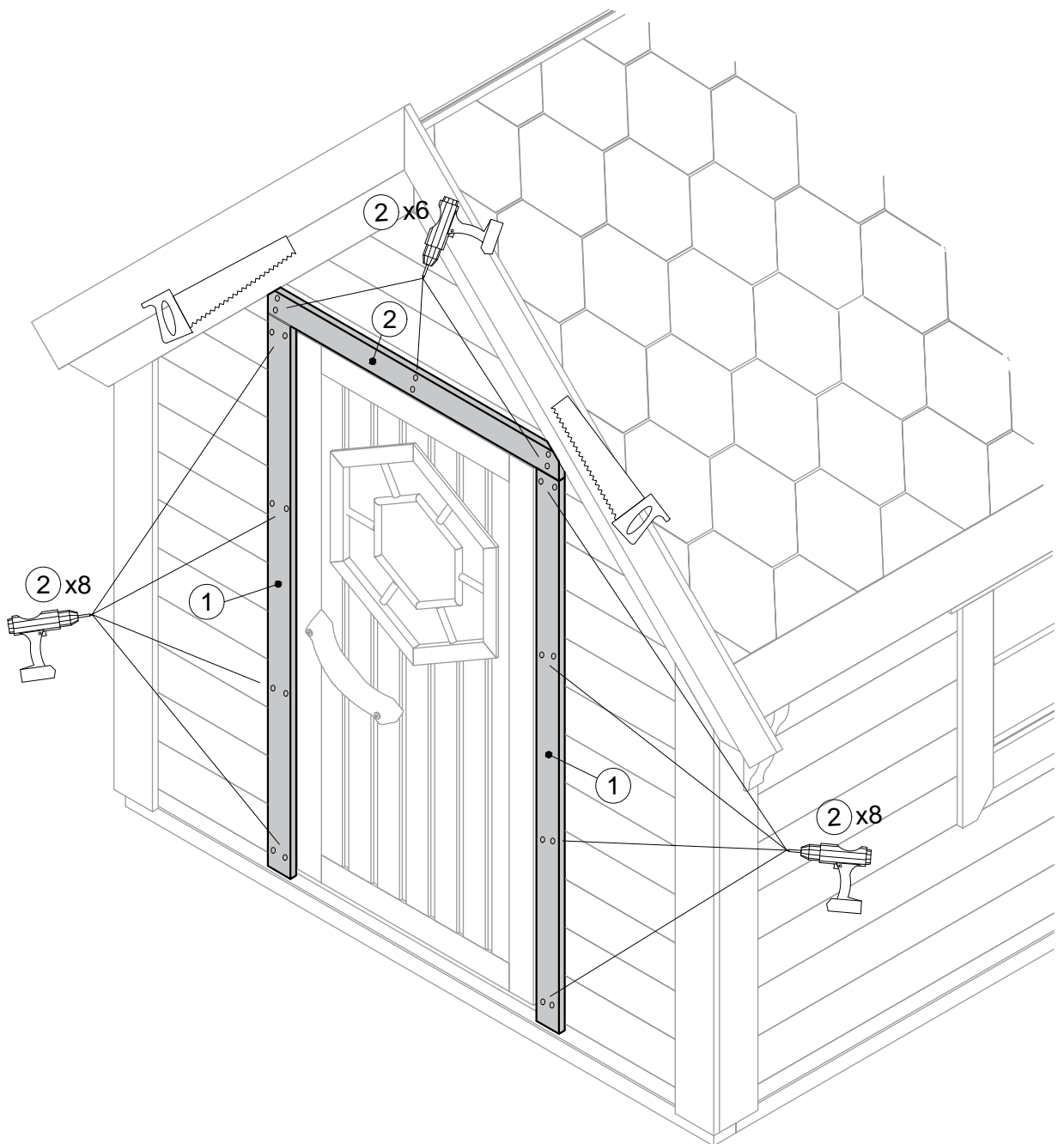
① x2
M-18x70x1490
or
M-18x70x1620
or
M-18x70x1750



② x1
M-18x70x905
or
M-18x70x1120



③ x22
T-GC-3.5x45





31.1 Extension INSIDE DOOR FINISHING BOARD

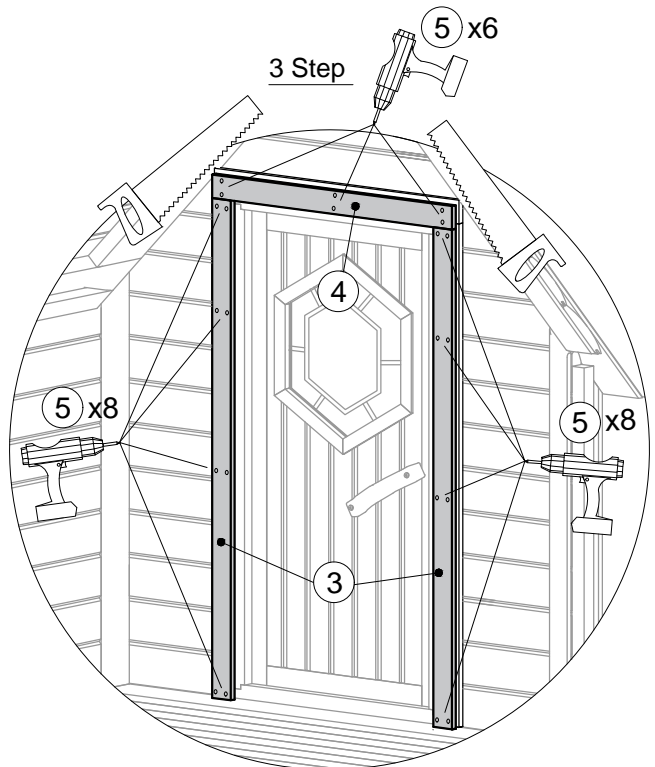
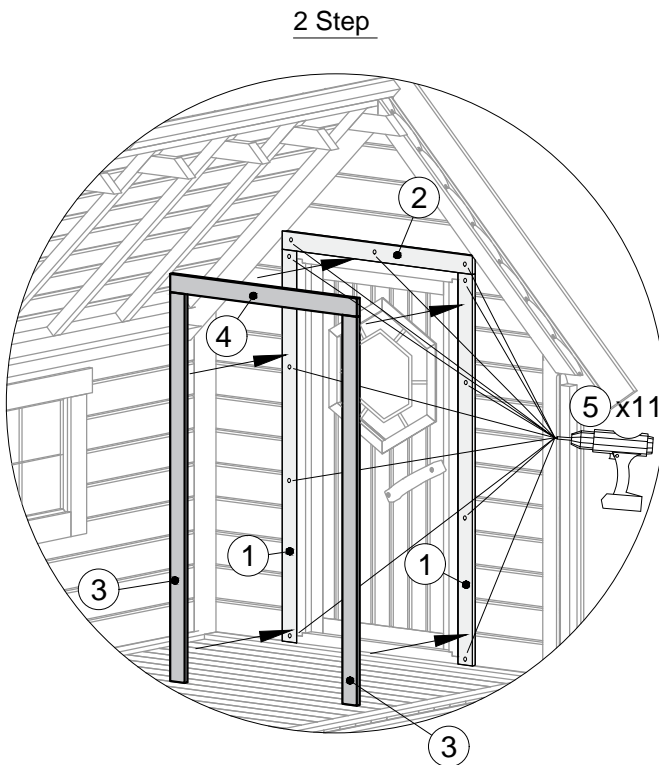
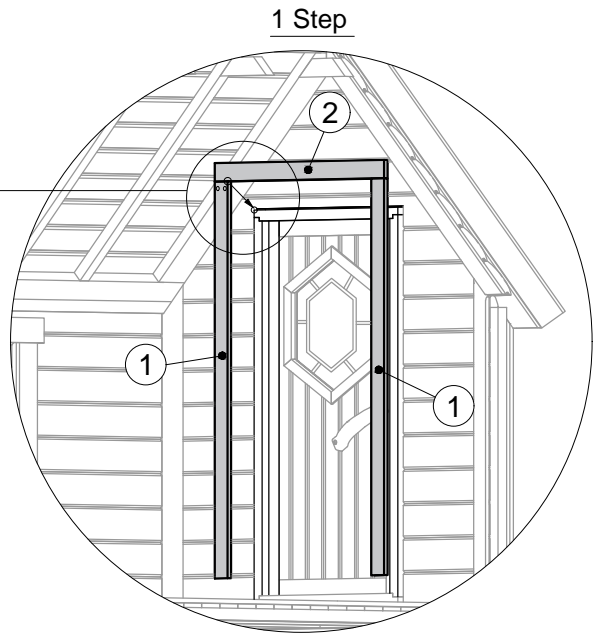
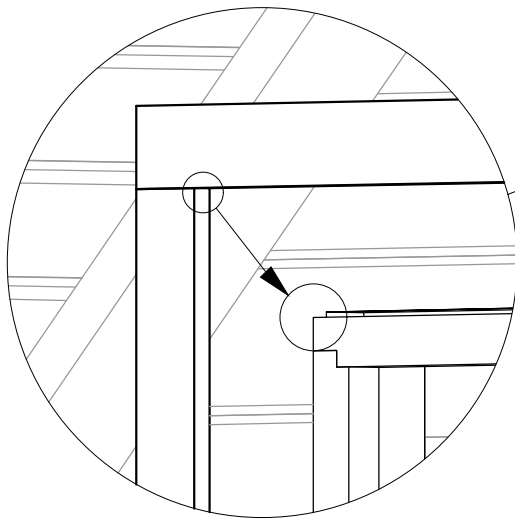
① x2
M-18x70x1500
or
M-18x70x1630
or
M-18x70x1760

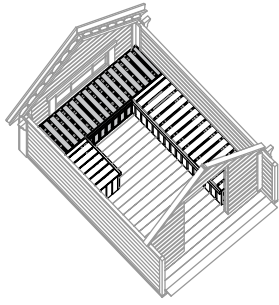
② x1
M-18x70x925
or
M-18x70x1140

③ x2
M-18x70x1490
or
M-18x70x1620
or
M-18x70x1750

④ x1
M-18x70x905
or
M-18x70x1120

⑤ x33
T-GC-3.5x45





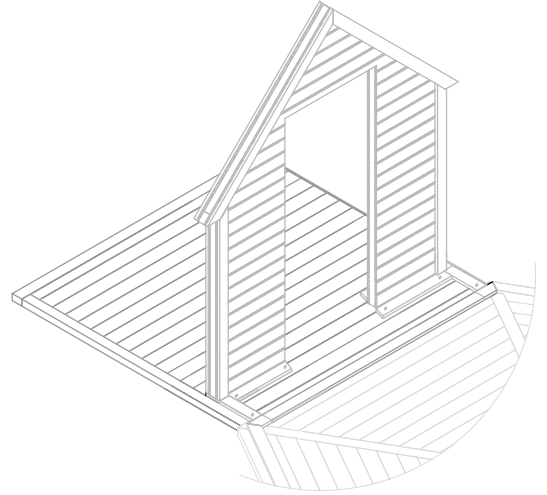
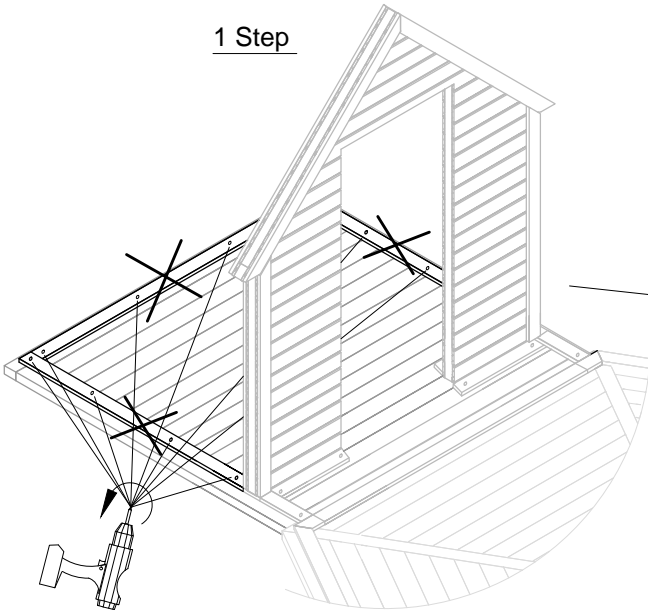
32. Extension SAUNA BENCHES

① x4
Gultas-koja-411x420

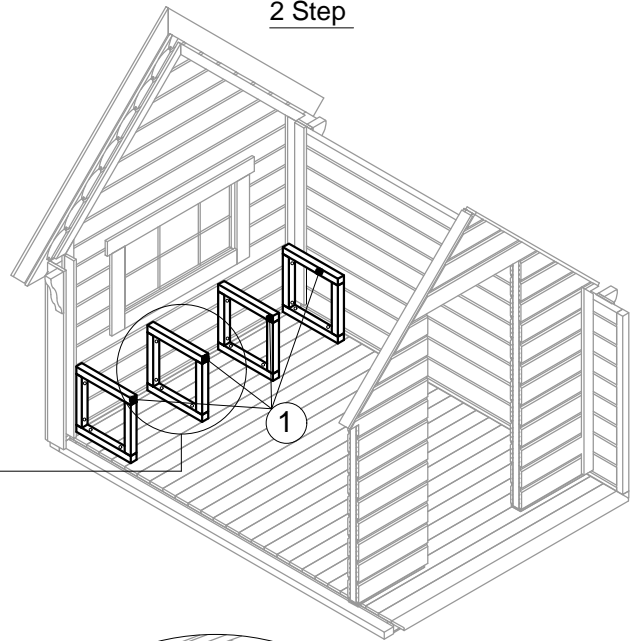
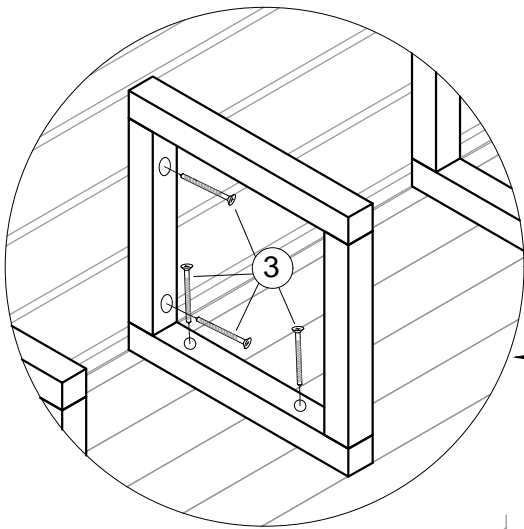
② x1
Gultas-son-444x1695

③ x24
T-GC-5x80

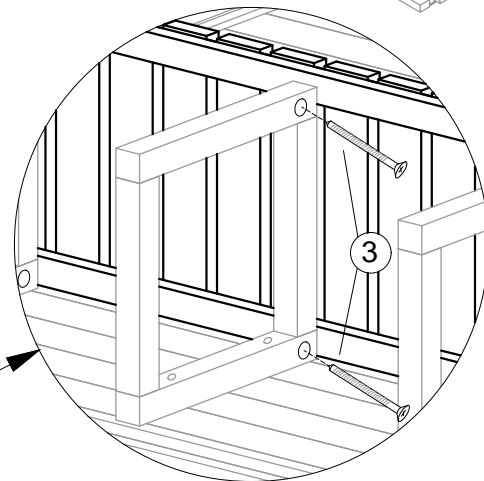
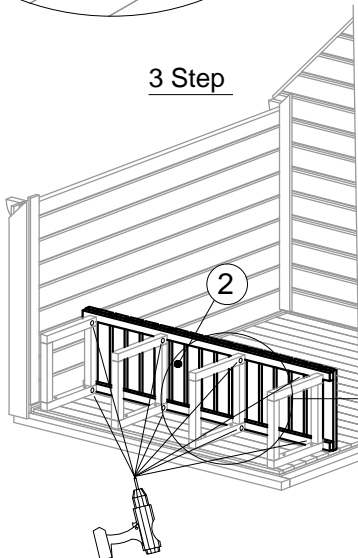
1 Step

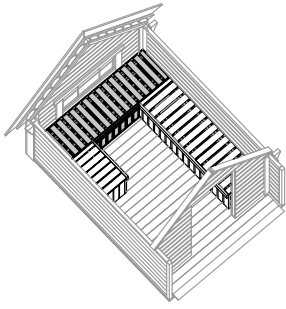


2 Step

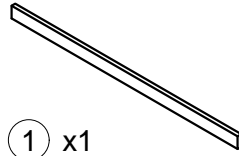


3 Step

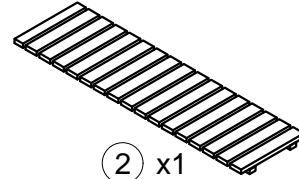




32.1 Extension SAUNA BENCHES



① x1
Mpl-28x82x1695

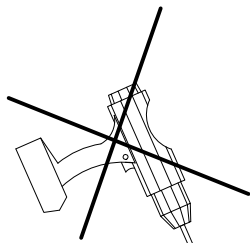
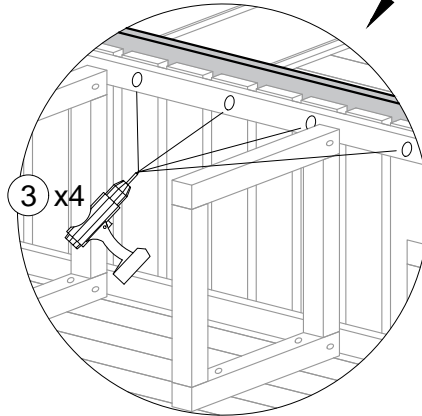
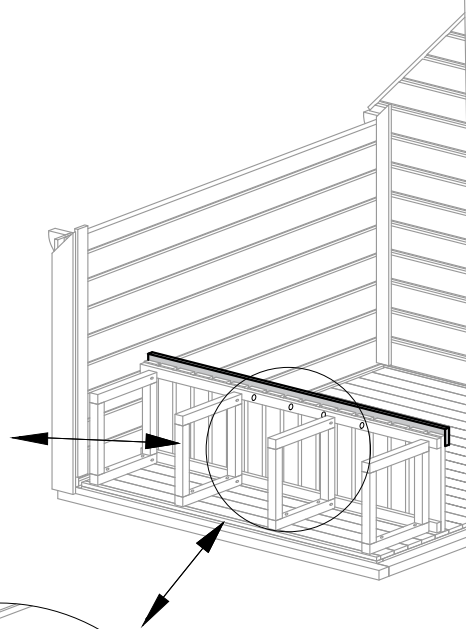
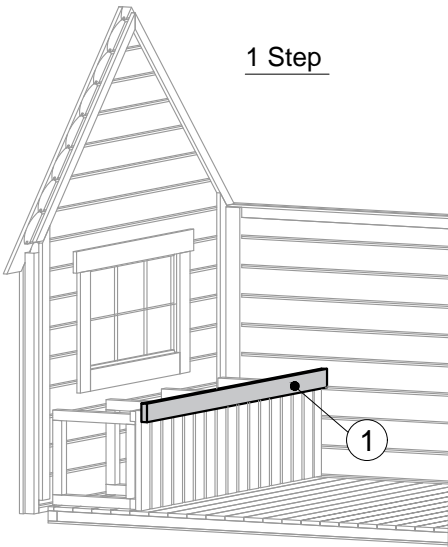


② x1
Gultas-virs-470x1695

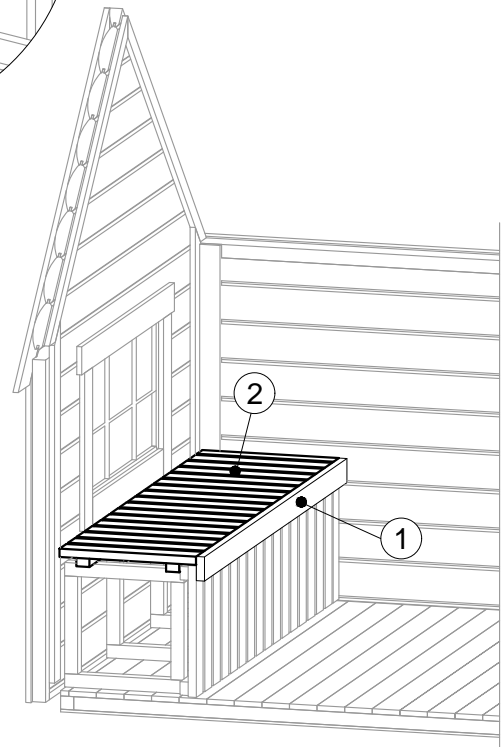
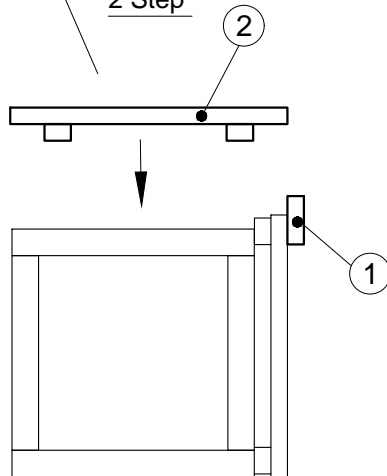


③ x4
T-GC-5x80

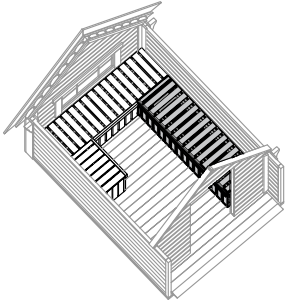
1 Step



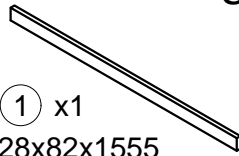
2 Step



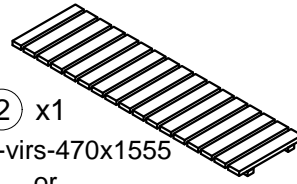
32.3 Extension SAUNA BENCHES



① x1
Mpl-28x82x1555
or
Mpl-28x82x2055



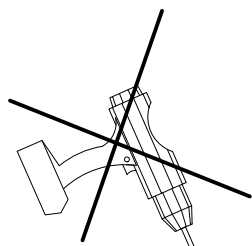
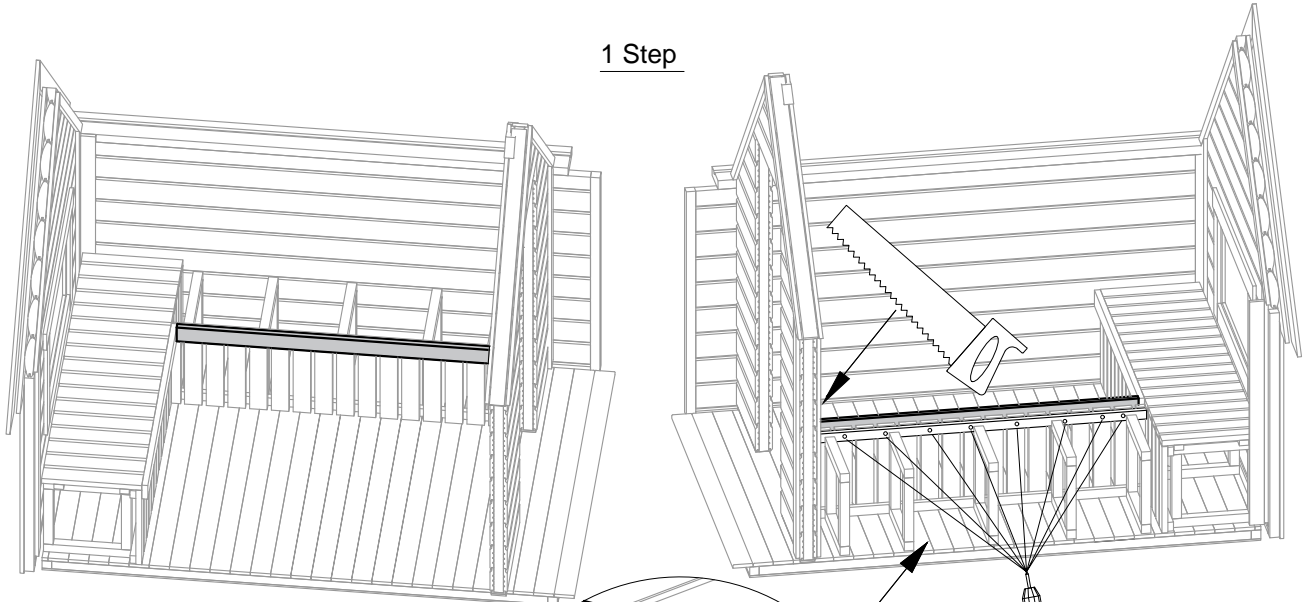
② x1
Gultas-virs-470x1555
or
Gultas-virs-470x2055



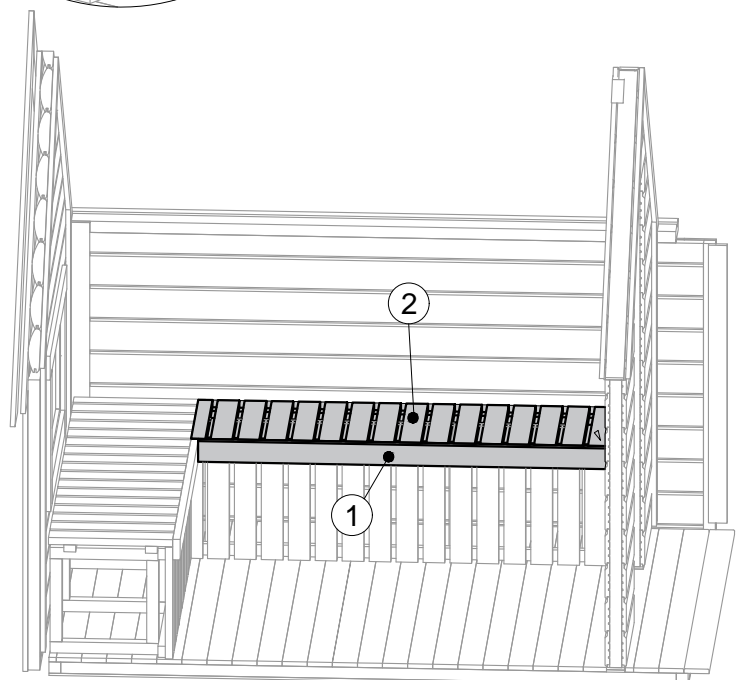
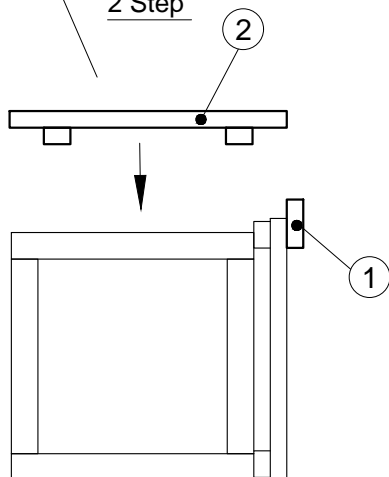
③ x10
T-GC-5x80

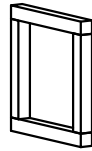
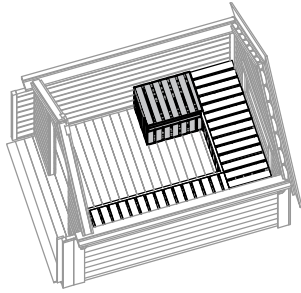


1 Step

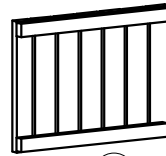


2 Step





① x3 or (2)
Gultas-koja-411x420



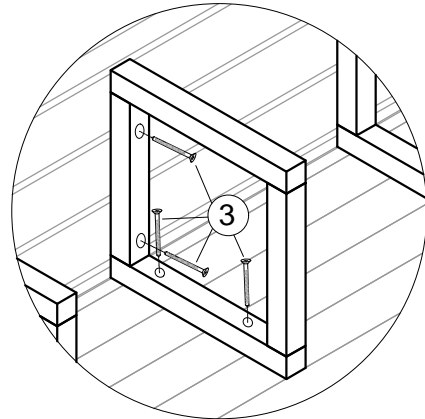
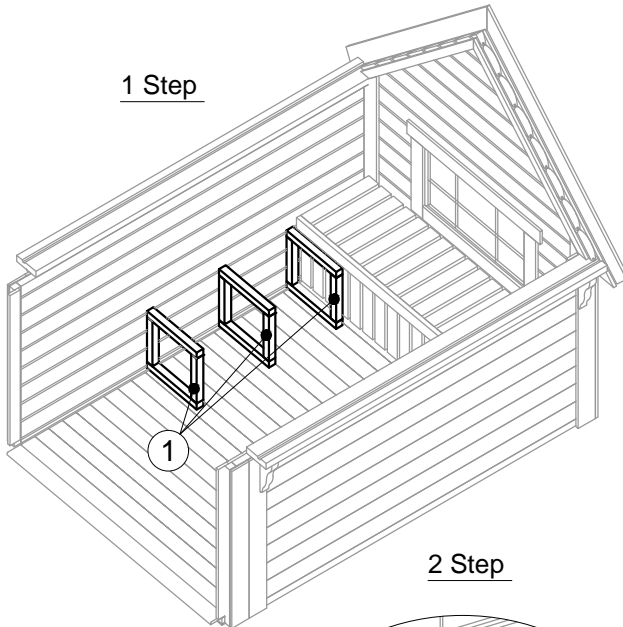
② x1
Gultas-son-444x612
or
Gultas-son-444x1112

32.4 Extension SAUNA BENCHES

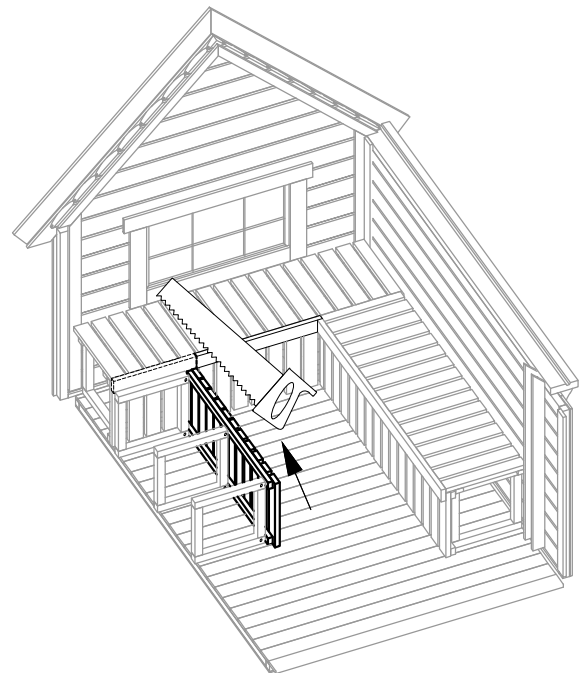
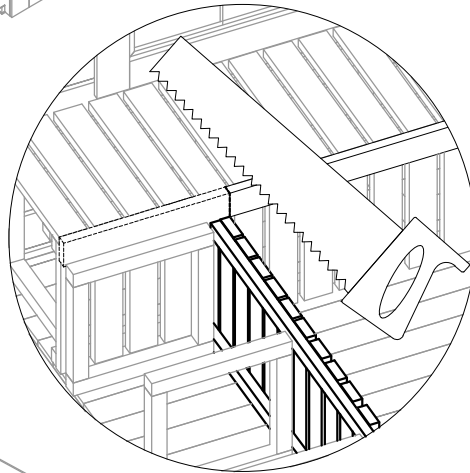


③ x18
T-GC-5x80

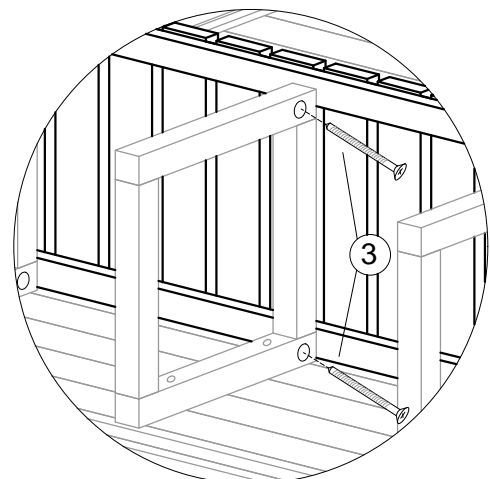
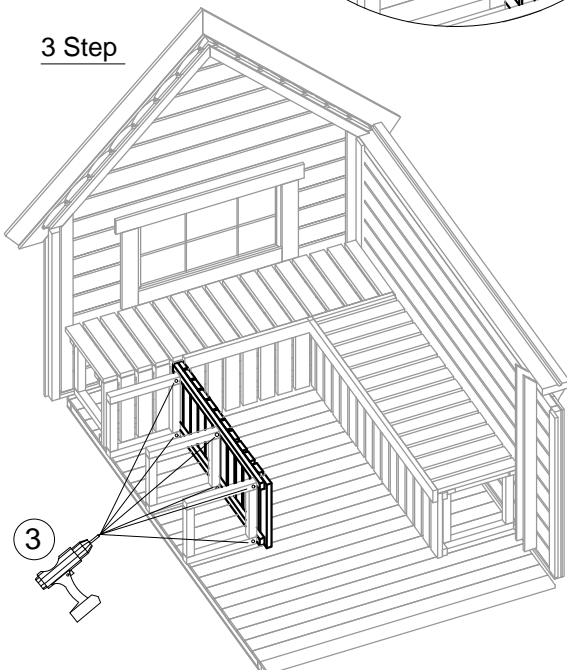
1 Step

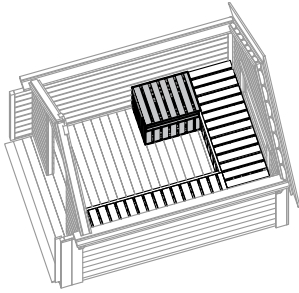


2 Step

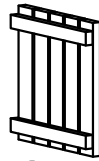


3 Step

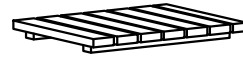




① x1
Mpl-28x82x612
or
Mpl-28x82x1112



② x1
Gultas-gal-440x444



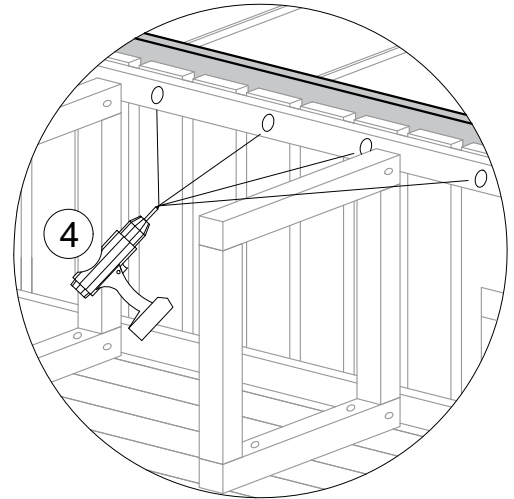
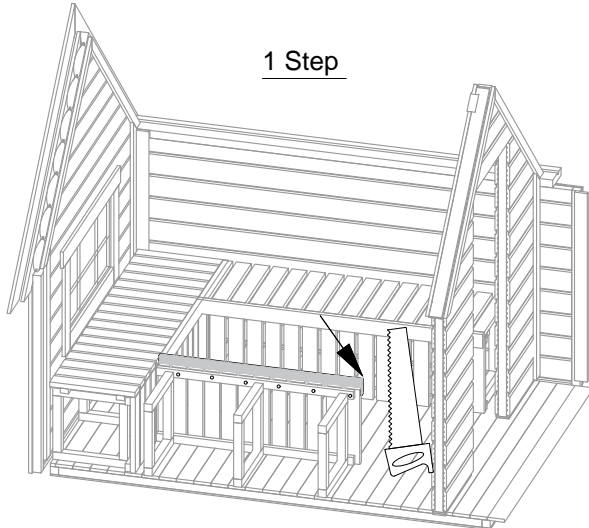
③ x1
Gultas-virs-470x612
or
Gultas-virs-470x1112



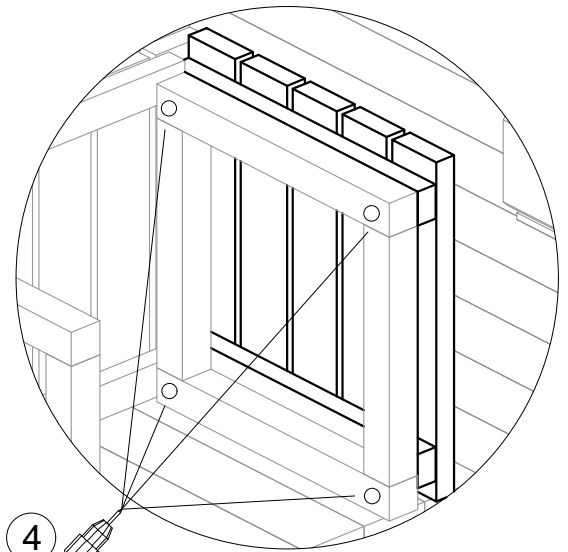
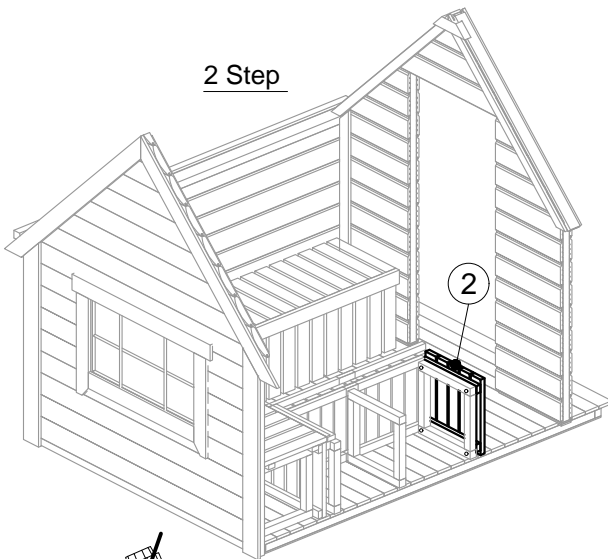
④ x10
T-GC-5x80

32.5 Extension SAUNA BENCHES

1 Step



2 Step



3 Step

