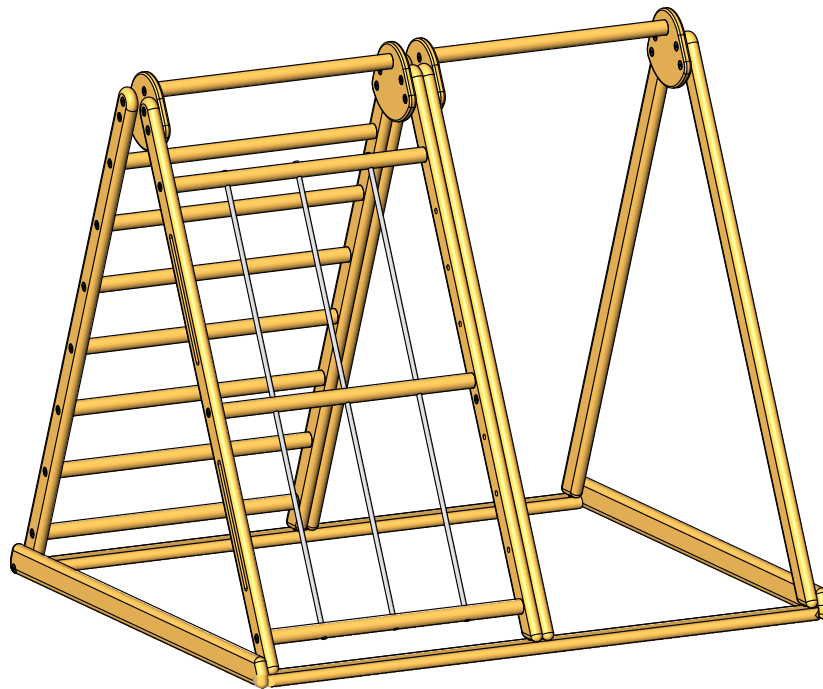
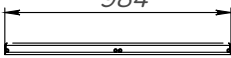
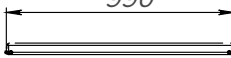
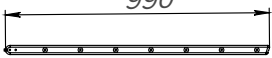
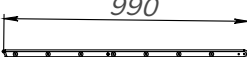
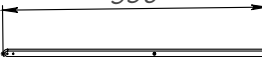
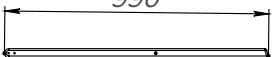
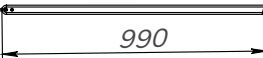

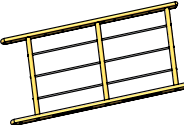
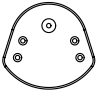
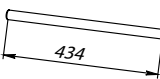
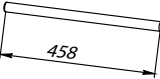




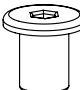
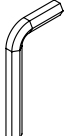
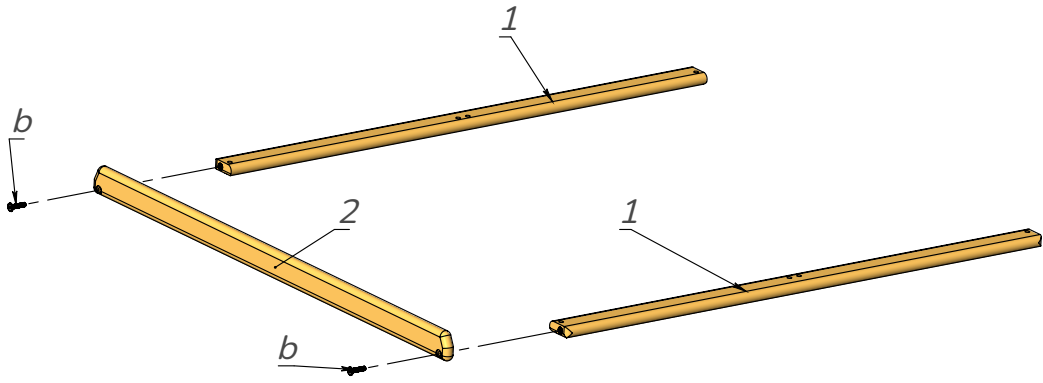


Small Triangle



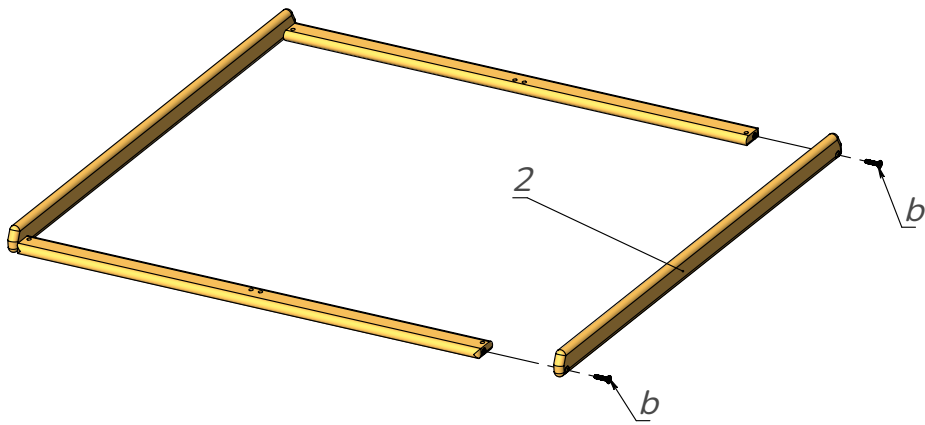
ASSEMBLY DETAILS

<p>1 - Front base</p> <p>984</p>  <p>2 pcs.</p>	<p>2 - Side base</p> <p>990</p>  <p>2 pcs.</p>	<p>3 - Ladder with 7 steps #1</p> <p>990</p>  <p>1 pc.</p>
<p>4 - Ladder with 7 steps #2</p> <p>990</p>  <p>1 pc.</p>	<p>5 - Middle stand #1</p> <p>990</p>  <p>1 pc.</p>	<p>6 - Middle stand #2</p> <p>990</p>  <p>1 pc.</p>
<p>7 - Side stand #1</p> <p>990</p>  <p>1 pc.</p>	<p>8 - Side stand #2</p> <p>990</p>  <p>1 pc.</p>	<p>9 - Rope ladder</p>  <p>1 pc.</p>
<p>10 - Connector</p>  <p>4 pcs.</p>	<p>11 - Short nog</p> <p>434</p>  <p>2 pcs.</p>	<p>12 - Long nog</p> <p>458</p>  <p>7 pcs.</p>
<p>a - Screw M6x20</p>  <p>12 pcs. + 2 spare</p>	<p>b - Screw M6x35</p>  <p>26 pcs. + 5 spare</p>	<p>c - Screw M6x50</p>  <p>4 pcs. + 1 spare</p>
<p>d - Screw M6x30</p>  <p>2 pcs. + 1 spare</p>	<p>e - Erickson nut M6x15</p>  <p>14 pcs. + 2 spare</p>	<p>f - 4 mm hex key</p>  <p>2 pcs.</p>



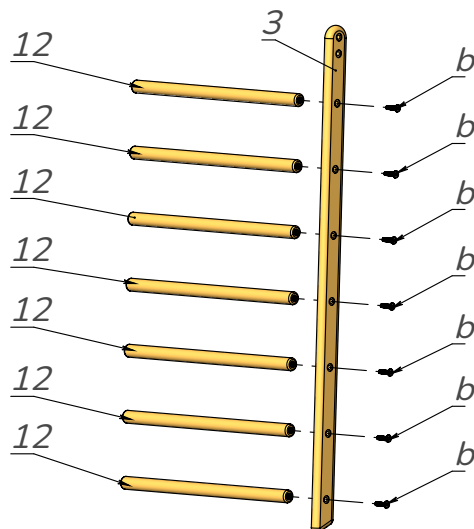
Pic. 1

Take the Side base (2) and using the screws (b) and keys (f) attach the front base (1). See Pic.1.



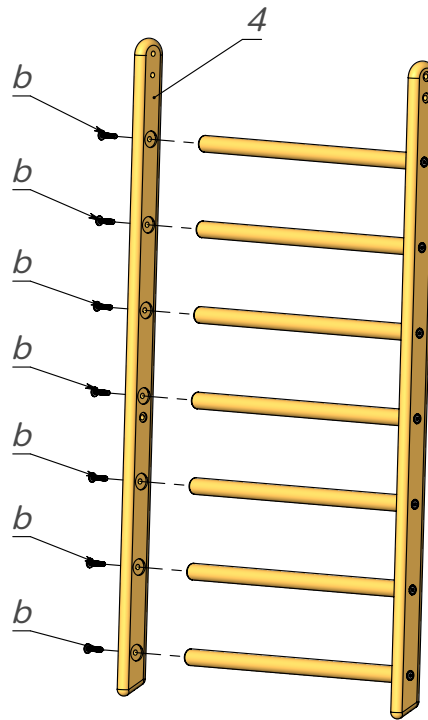
Pic. 2

Take another side base (2) and attach it to the received structure. See Pic. 2.



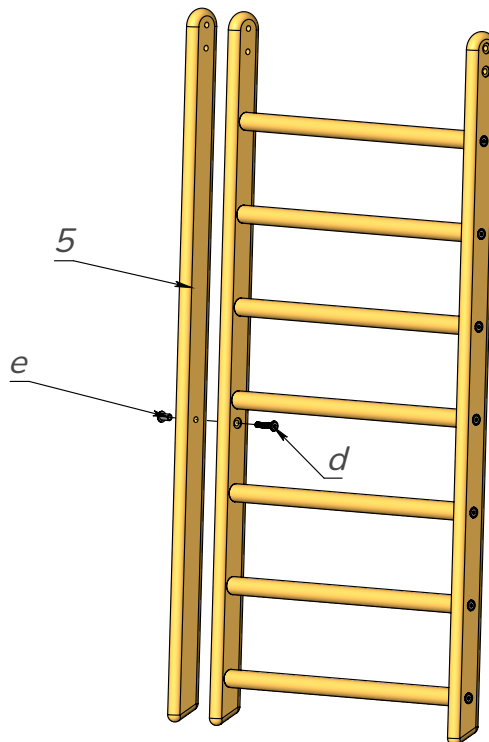
Pic. 3

Take the ladder with steps #1 and using the screws (b) and key (f) attach the long nog (12). See Pic. 3.



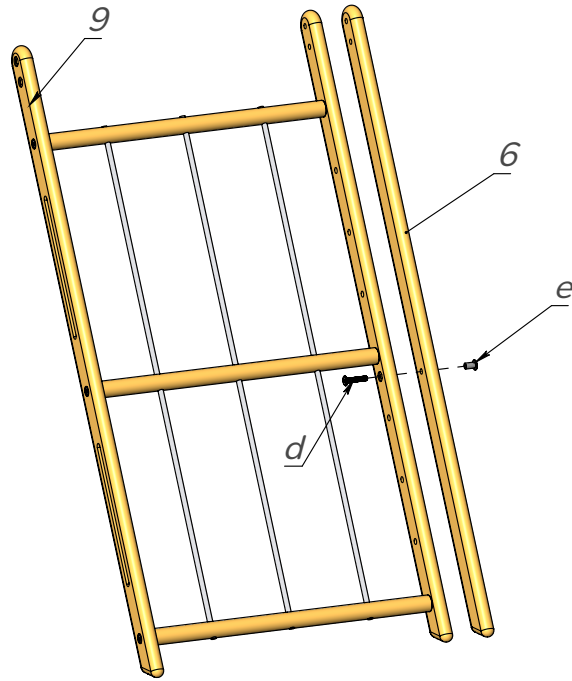
Pic. 4

Take the ladder with steps #2 and using the screws (b) and keys (f) attach it to the previously assembled structure. See Pic.4.



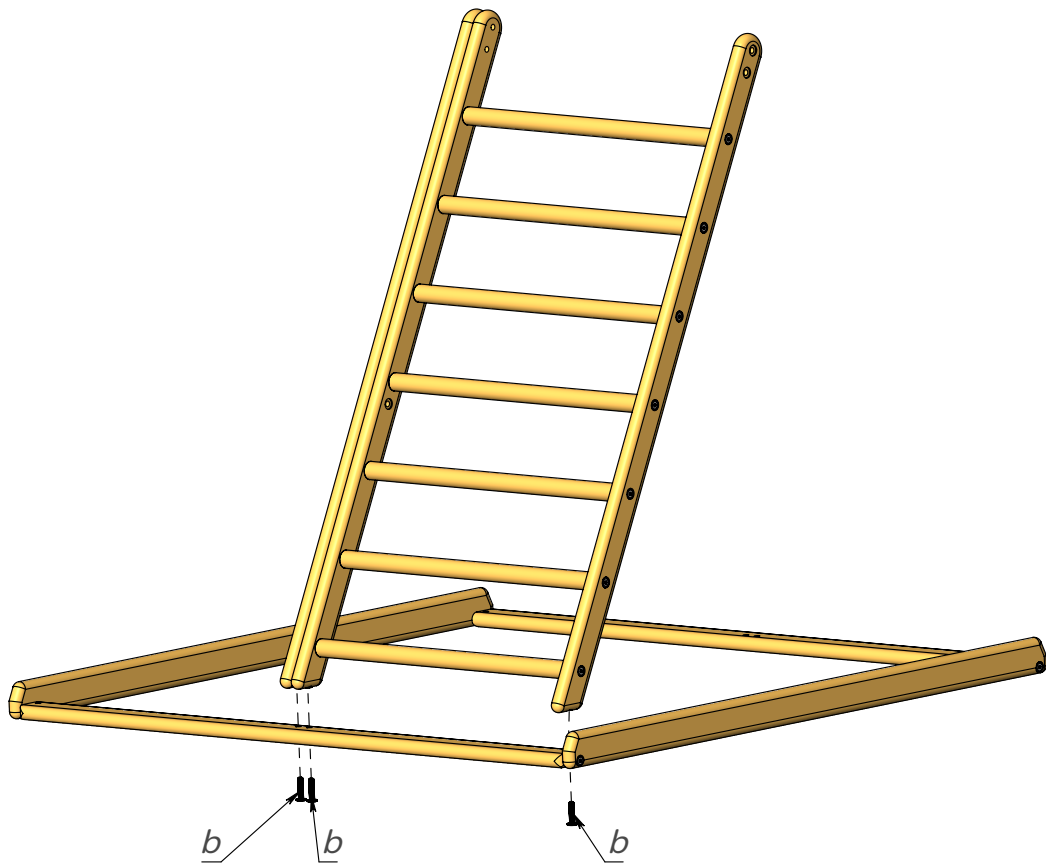
Pic. 5

Take the middle stand #1 and using the screws (b), nut (e) and keys (f) attach it to the ladder with 7 steps. See Pic. 5.



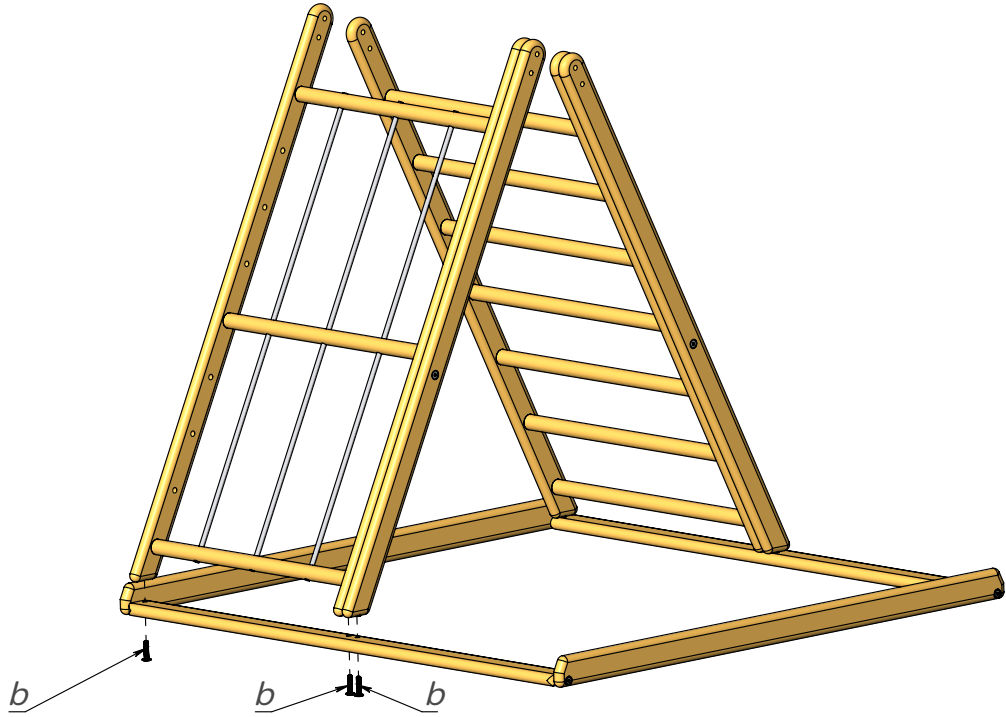
Pic. 6

Take the rope ladder (9) and using the screws (d), nut (e) and keys (f) attach the middle stand #2. See Pic. 6.



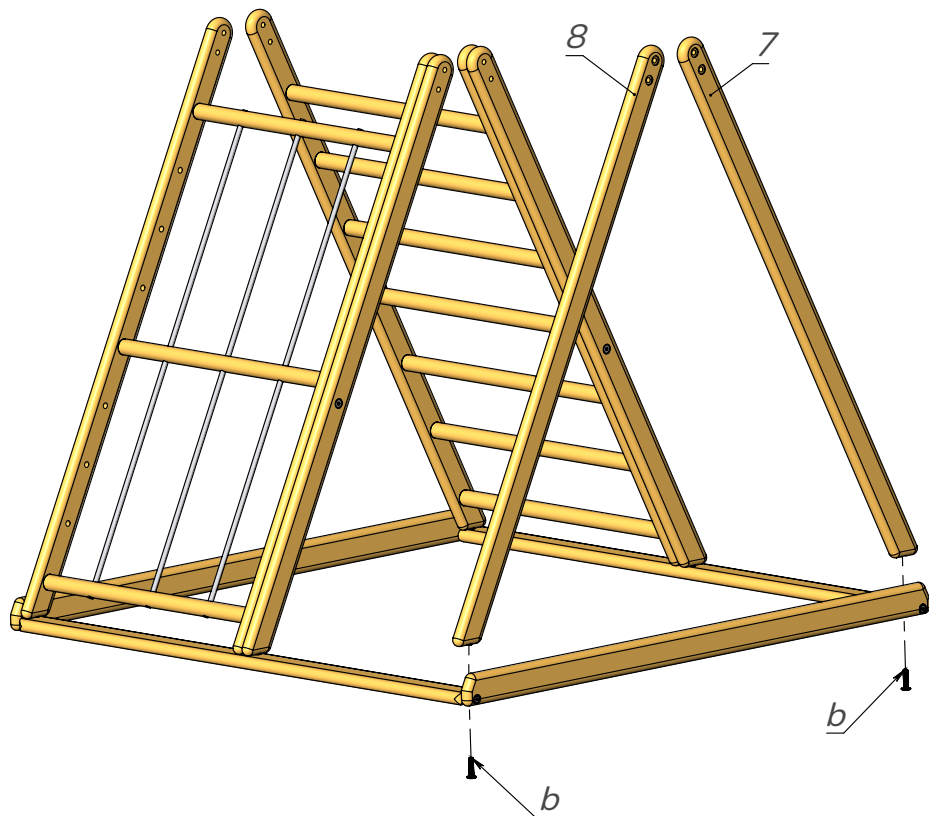
Pic. 7

Using the screws (b) and hex key (f) join the received structures depicted in Pic. 2 and Pic.,.5. See Pic. 7.



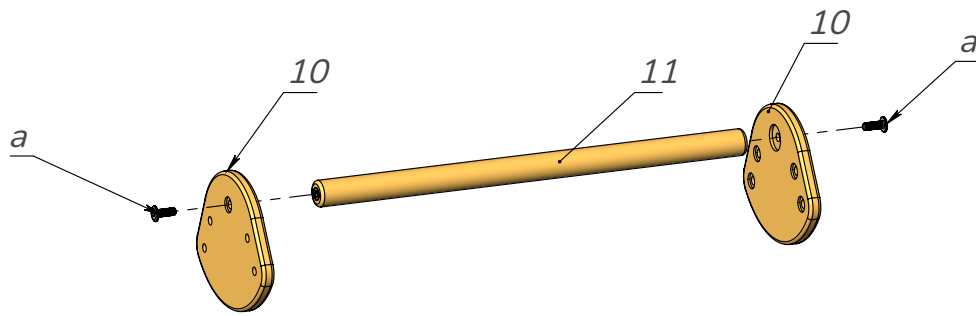
Pic. 8

Using the screws (b) and hex key (f) join the received structures depicts in Pic. 6 and Pic.,7. See Pic. 8



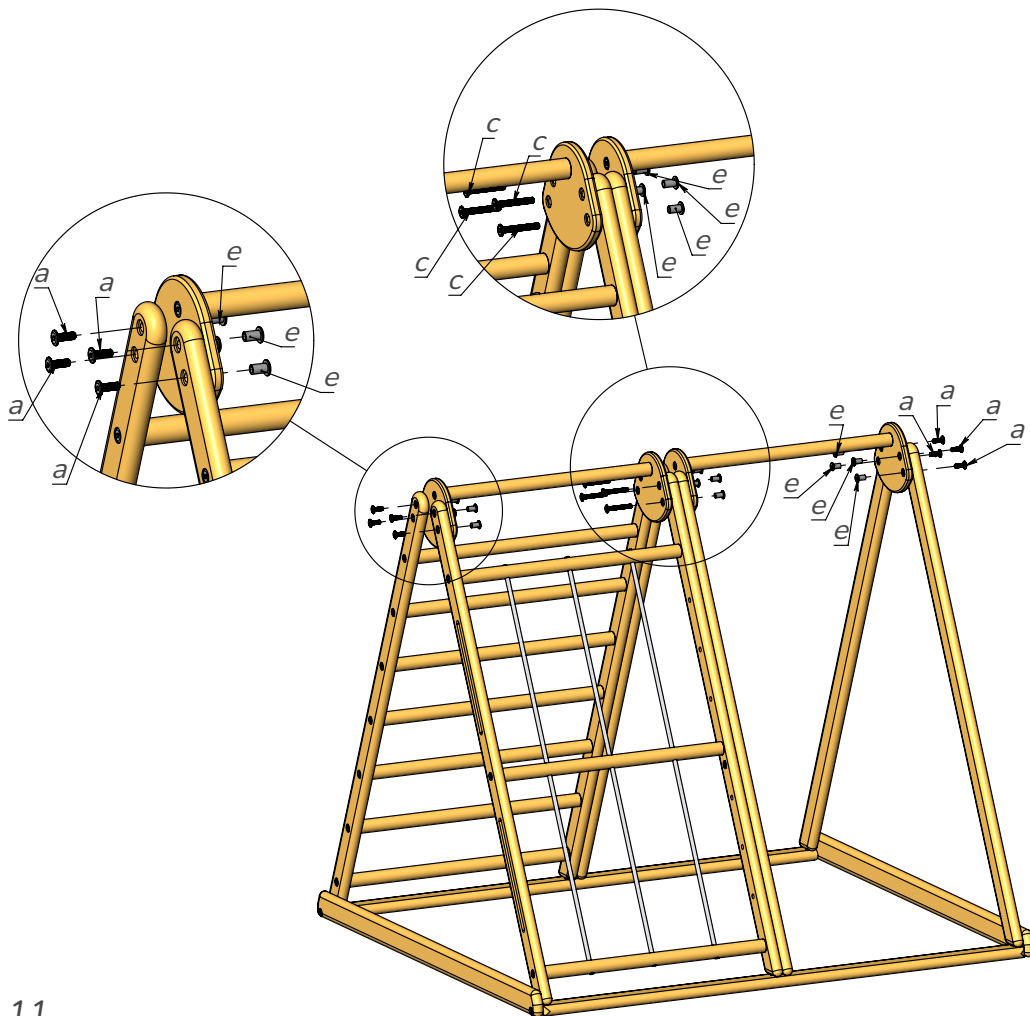
Pic. 9

Take the side stand (7, 8) and using the screws (b) and keys (f) attach it to the previously assembled structure. See Pic.9.



Pic. 10

Assemble the Connector (10) and Short nog (11) as shown in the Pic. 10. Screw the parts together with screws (a), using hex key (f).



Pic. 11

Assemble the parts together as shown in the Pic. 11. Screw the parts together with screws (a), (c), nuts (e) and both hex keys (f)



To be used for its intended purpose only and under the direct supervision of an adult!
All the responsibility for children's injuries received during games on the furniture lies on adults watching after them.

Always be vigilant during children's games!