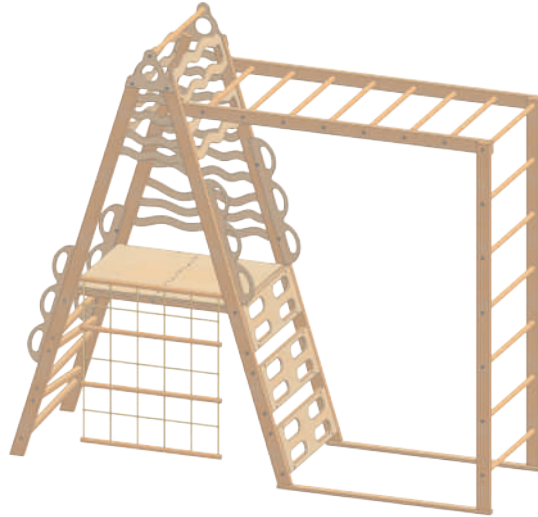
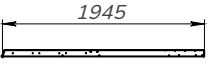
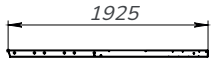
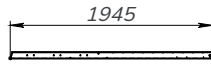
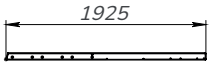
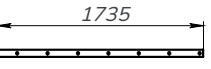
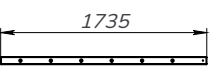
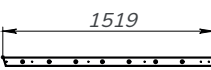
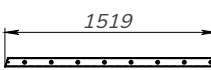
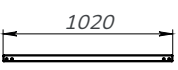
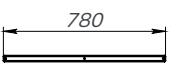
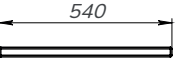
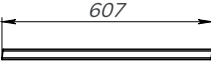
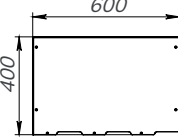
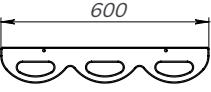
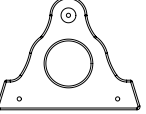
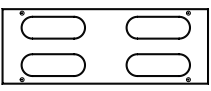
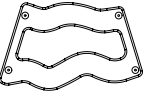

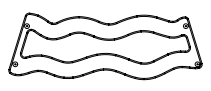



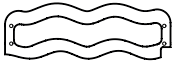
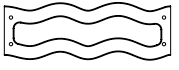
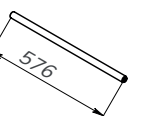
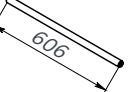
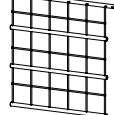
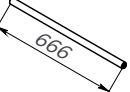
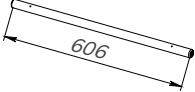






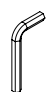





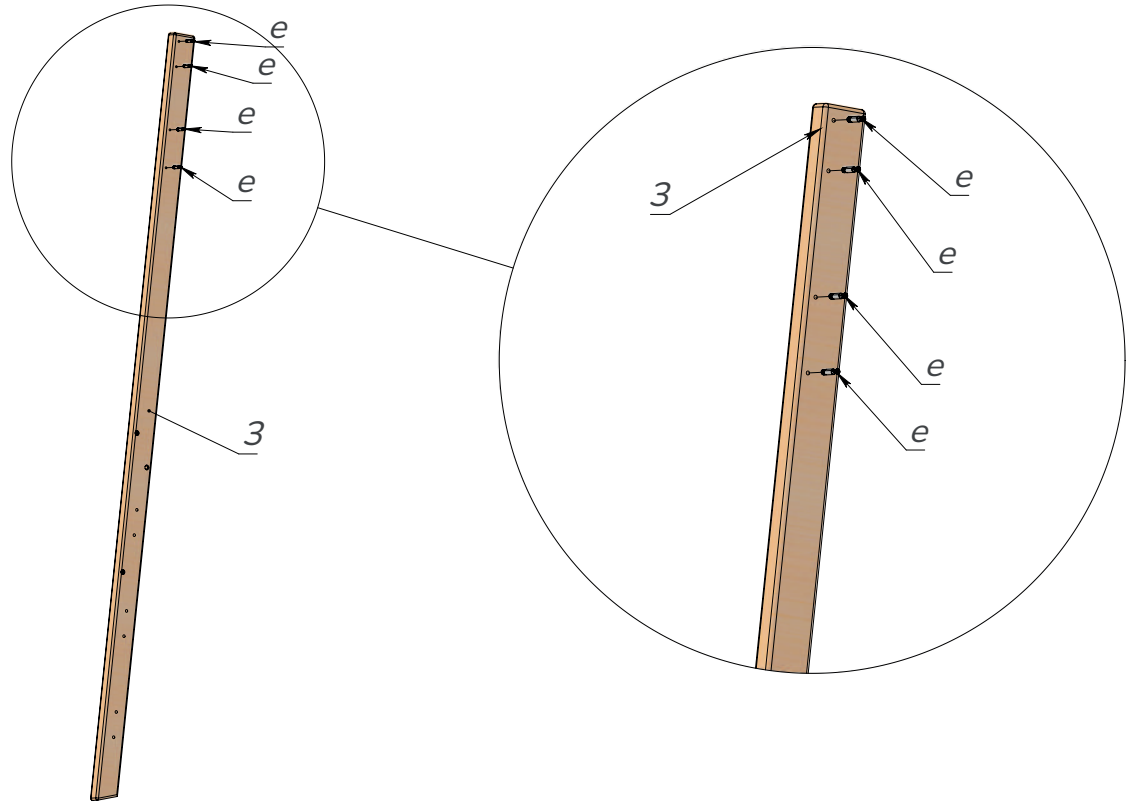


"Wave" Teepee Indoor Playground



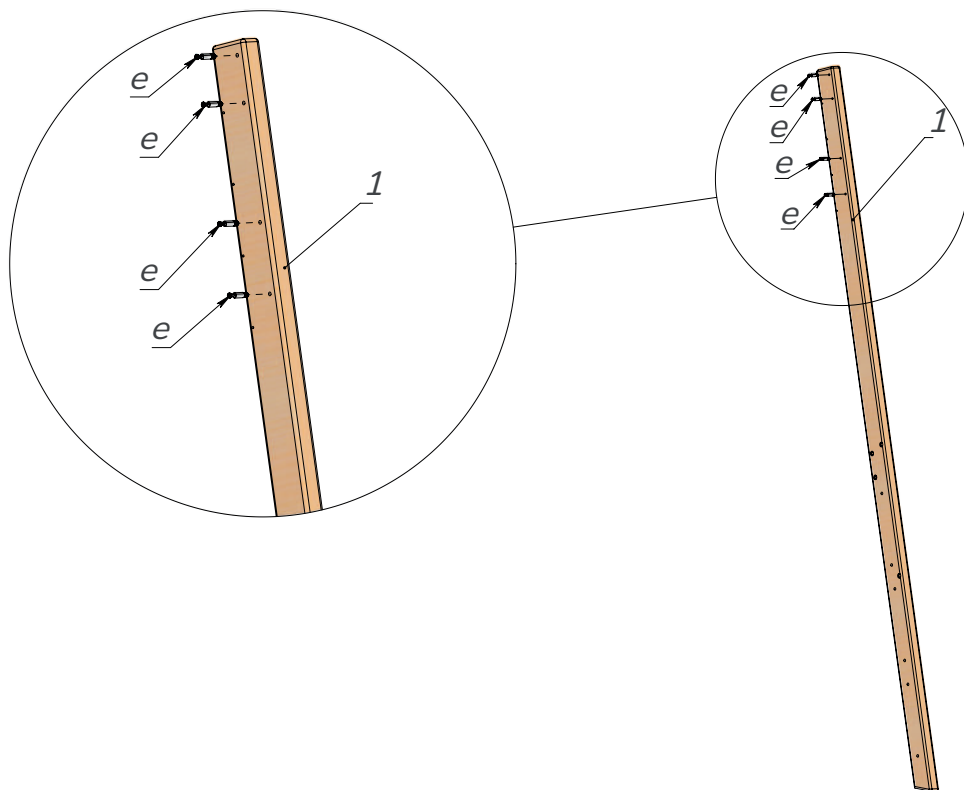
ASSEMBLY DETAILS

<p>1 - Askew front stand</p>  <p>1 pc.</p>	<p>2 - Askew front short stand</p>  <p>1 pc.</p>	<p>3 - Askew back stand</p>  <p>1 pc.</p>	<p>4 - Askew back short stand</p>  <p>1 pc.</p>	<p>5 - Vertical back stand</p>  <p>1 pc.</p>
<p>6 - Vertical front stand</p>  <p>1 pc.</p>	<p>7 - Upper back plank</p>  <p>1 pc.</p>	<p>8 - Upper front plank</p>  <p>1 pc.</p>	<p>9 - Lower plank</p>  <p>2 pcs.</p>	<p>10 - Middle plank</p>  <p>2 pcs.</p>
<p>11 - Lintel</p>  <p>1 pc.</p>	<p>12 - Askew plank</p>  <p>6 pcs.</p>	<p>13 - Base</p>  <p>2 pcs.</p>	<p>14 - Handle</p>  <p>4 pcs.</p>	<p>15 - Upper cover</p>  <p>2 pcs.</p>
<p>16 - Hooksr</p>  <p>3 pcs.</p>	<p>17 - Back wall #1</p>  <p>2 pcs.</p>	<p>18 - Back wall #2</p>  <p>2 pcs.</p>	<p>19 - Back wall #3</p>  <p>1 pc.</p>	<p>20 - Back wall #4</p>  <p>1 pc.</p>
<p>21 - Back wall #5</p>  <p>1 pc.</p>	<p>22 - Side wall #1</p>  <p>1 pc.</p>	<p>23 - Side wall #2</p>  <p>1 pc.</p>	<p>24 - Side wall #3</p>  <p>2 pcs.</p>	<p>25 - Nog #1</p>  <p>1 pc.</p>
<p>26 - Nog #2</p>  <p>13 pcs.</p>	<p>27 - Rope ladder</p>  <p>1 pc.</p>	<p>28 - Nog #3</p>  <p>1 pc.</p>	<p>29 - Nog #4</p>  <p>6 pcs.</p>	<p>a - Screw M6x30</p>  <p>22 pcs.</p>
<p>b - Screws M6x40</p>  <p>40 pcs.</p>	<p>c - Screws M6x50</p>  <p>20 pcs.</p>	<p>d - Screw M6x70</p>  <p>2 pcs.</p>	<p>e - Minifix set</p>  <p>16 pcs.</p>	<p>f - Screw 3x25</p>  <p>54 pcs.</p>
<p>g - Hex key 4 mm</p>  <p>1 pc.</p>	<p>h - Screwdriver</p>  <p>1 pc.</p>	<p>i - Dowel</p>  <p>4 pcs.</p>	<p>j - Screws 6x100</p>  <p>4 pcs.</p>	



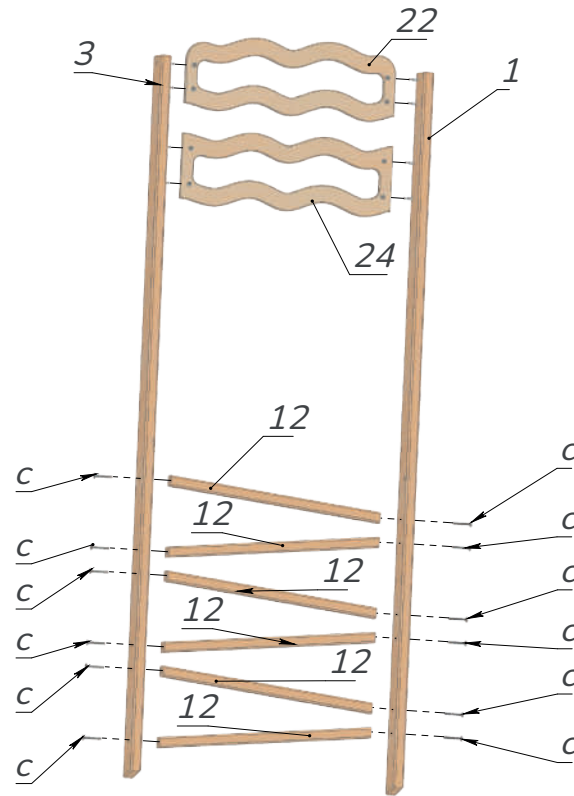
Pic. 1

Take the stand (3) and using the screwdriver (h) install the dowels from minifixes (e).
See Pic.1.



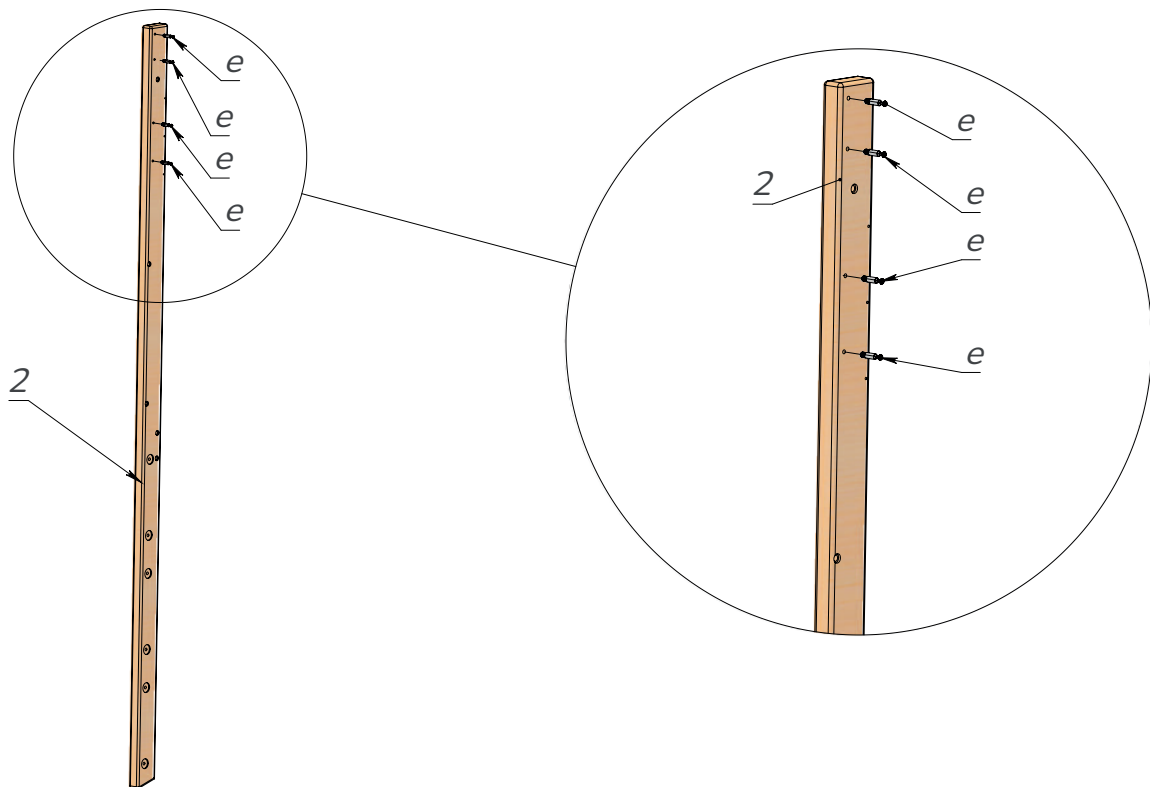
Pic. 2

Take the stand (1) and using the screwdriver (h) install the dowels from minifixes (e).
See Pic.2.



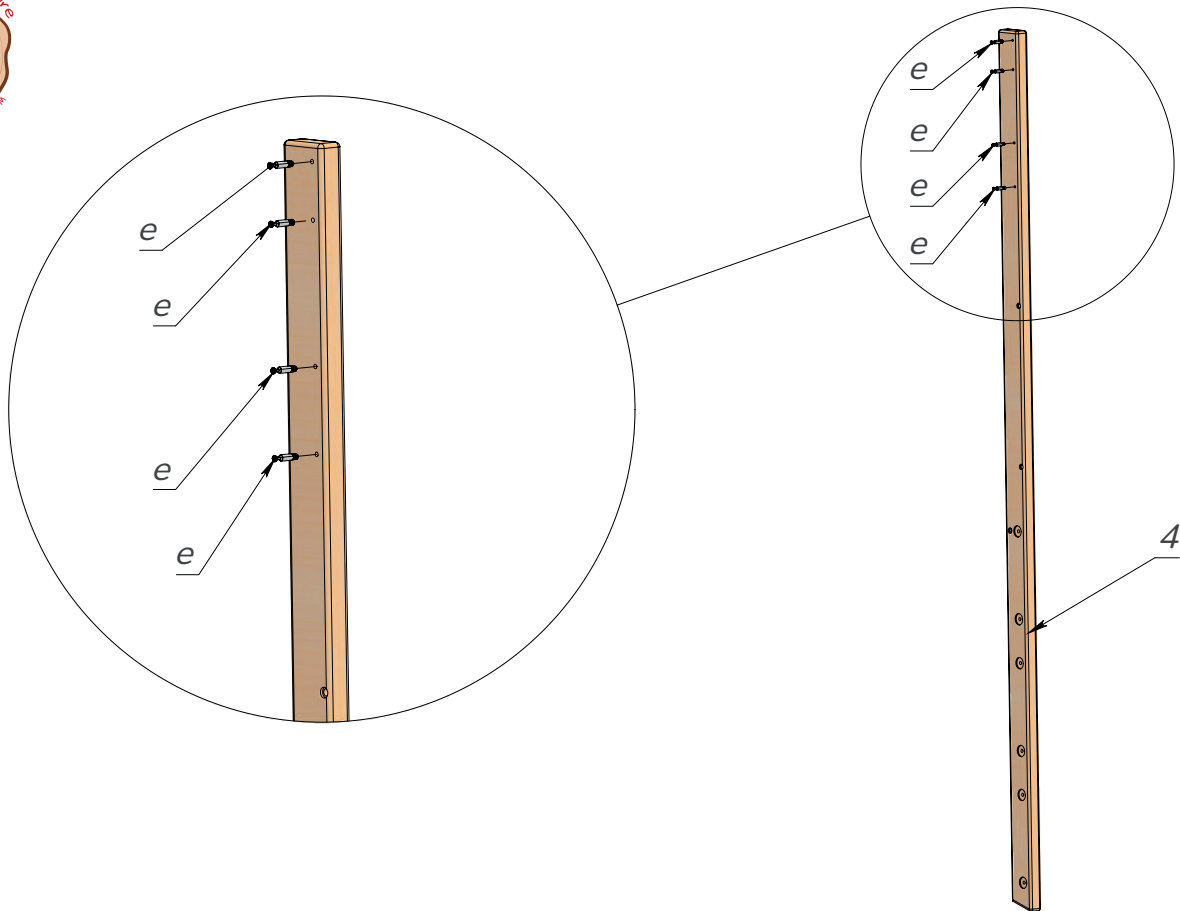
Pic. 3

Install the side stands #1 and #3 (22, 24) and close the eccentric ties (e) clockwise by 180 degrees. Then attach the askew planks (12) with the screws (c) and hex keys (g). See Pic. 3.



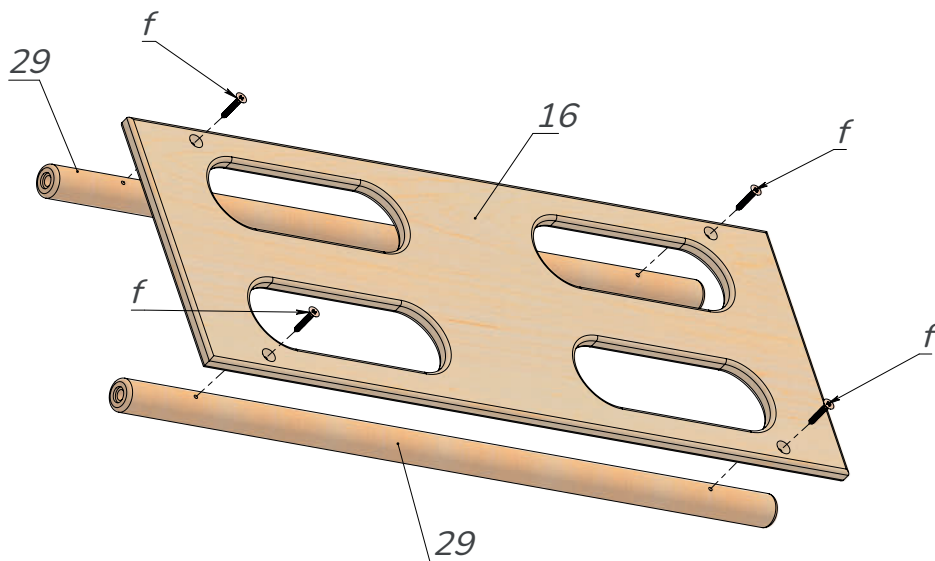
Pic. 4

Take the stand (2) and using the screwdriver (h) install the dowels from minifixes (e). See Pic.4.



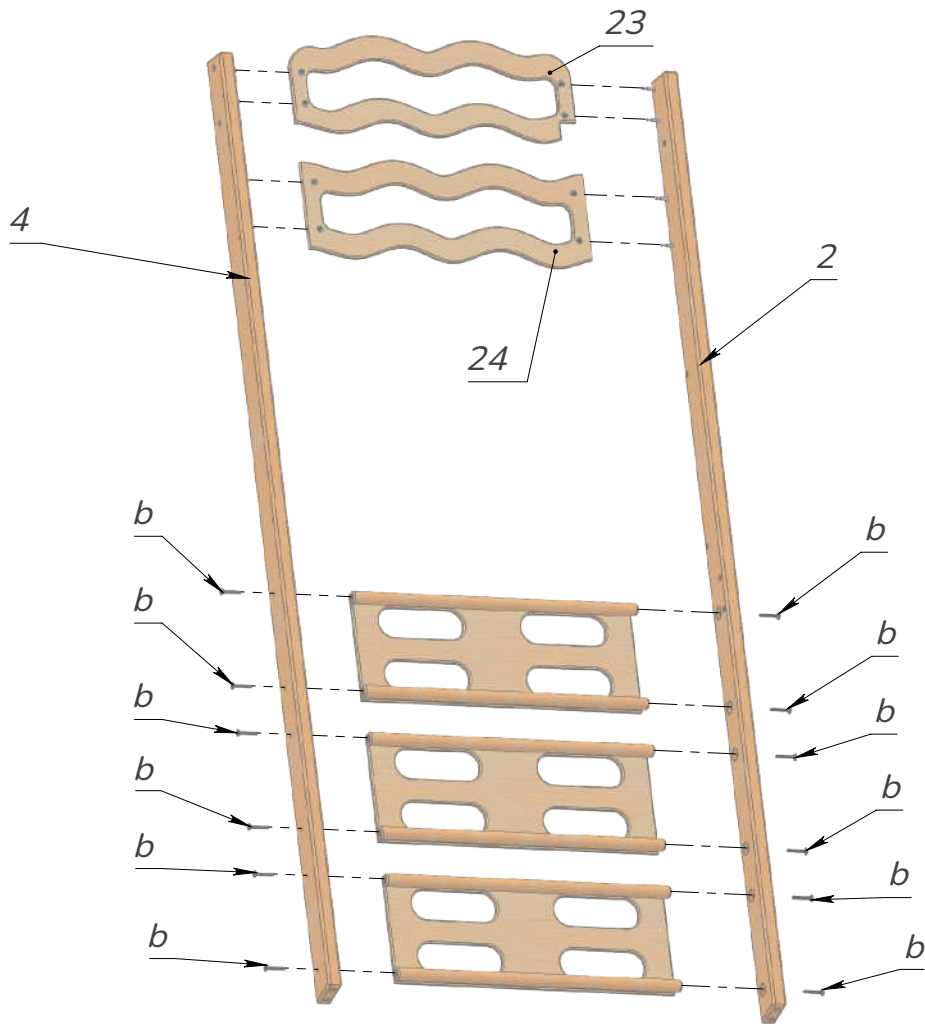
Pic. 5

Take the stand (4) and using the screwdriver (h) install the dowels from minifixes (e).
See Pic.5.



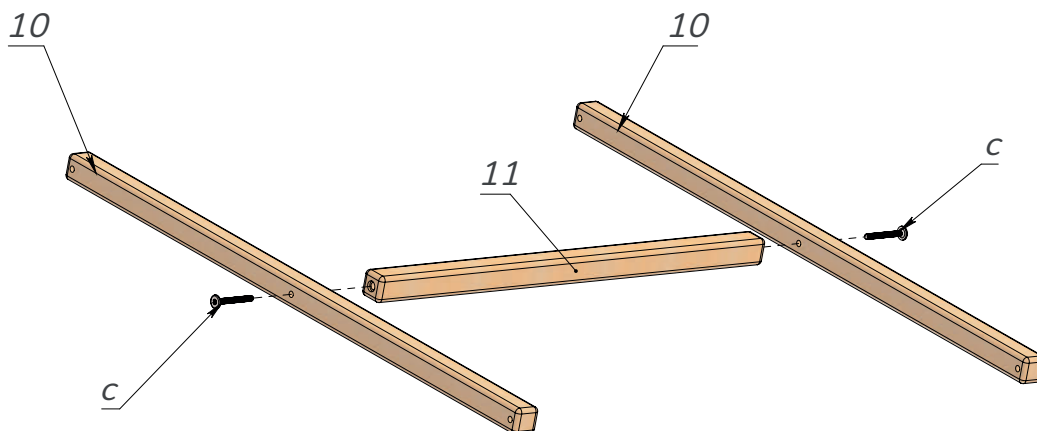
Pic. 6

Take the nogs (29) and using the self-tapping screws (f) and screwdriver (h), attach the hooks (16).



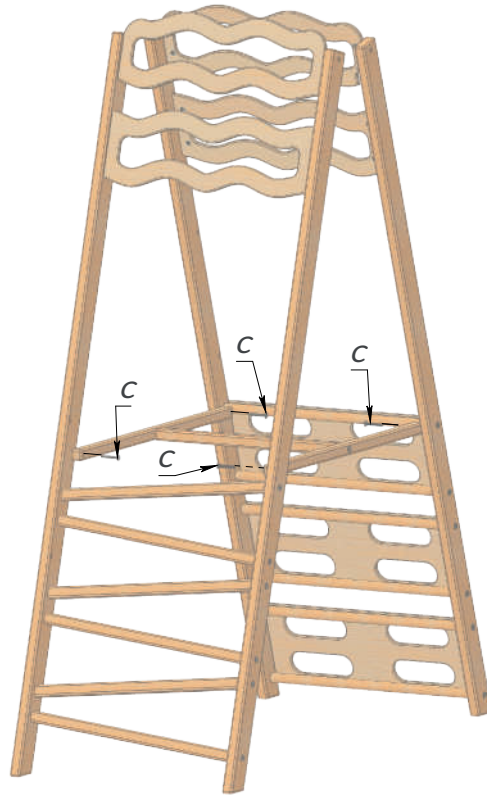
Pic. 7

Install the sidewalls #2, 3 (23, 24) and details depicted in the Pic. 6 between the front and back askew stands and close the eccentric ties (e) clockwise by 180 degrees and screw the screws (b) in with the hex key (g). See Pic. 7.



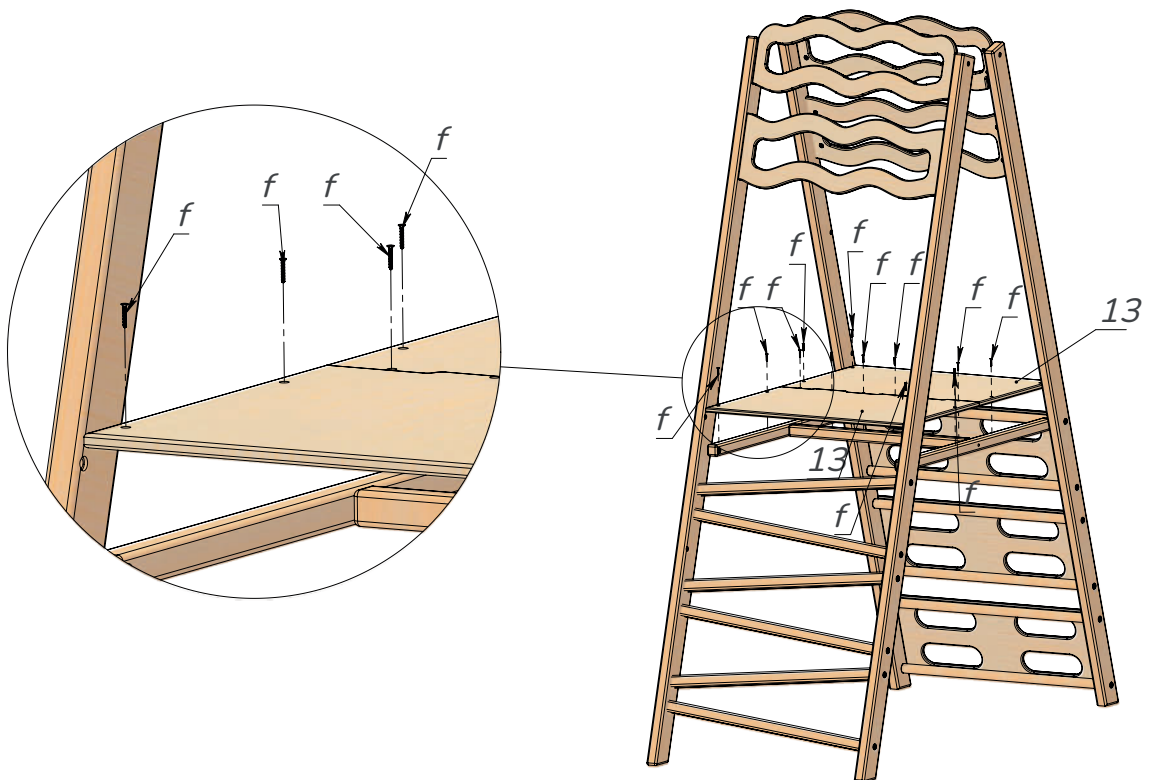
Pic. 8

Take the lintel (11) and using the screws (c) and hex key (g) attach the middle plank (10). See Pic. 8.



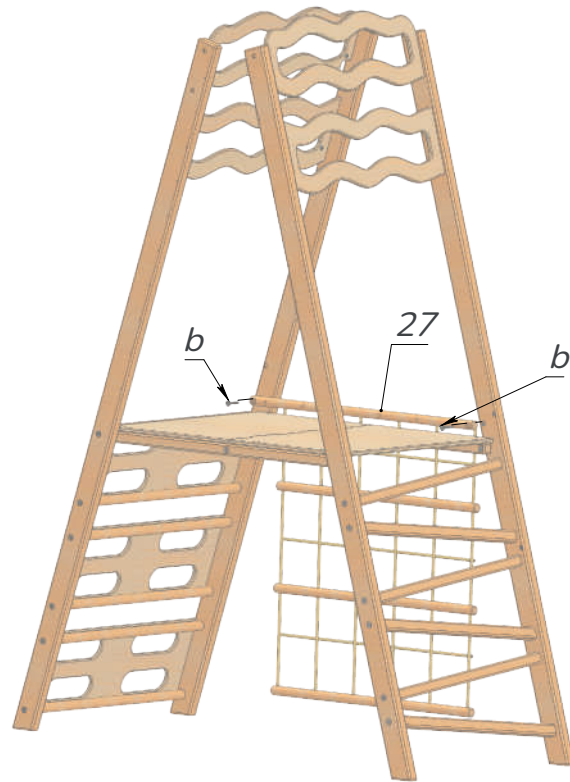
Pic. 9

Join the details despited in the Pic. 3,7.8 with the screws (c) and hex key (g).
See Pic. 9.



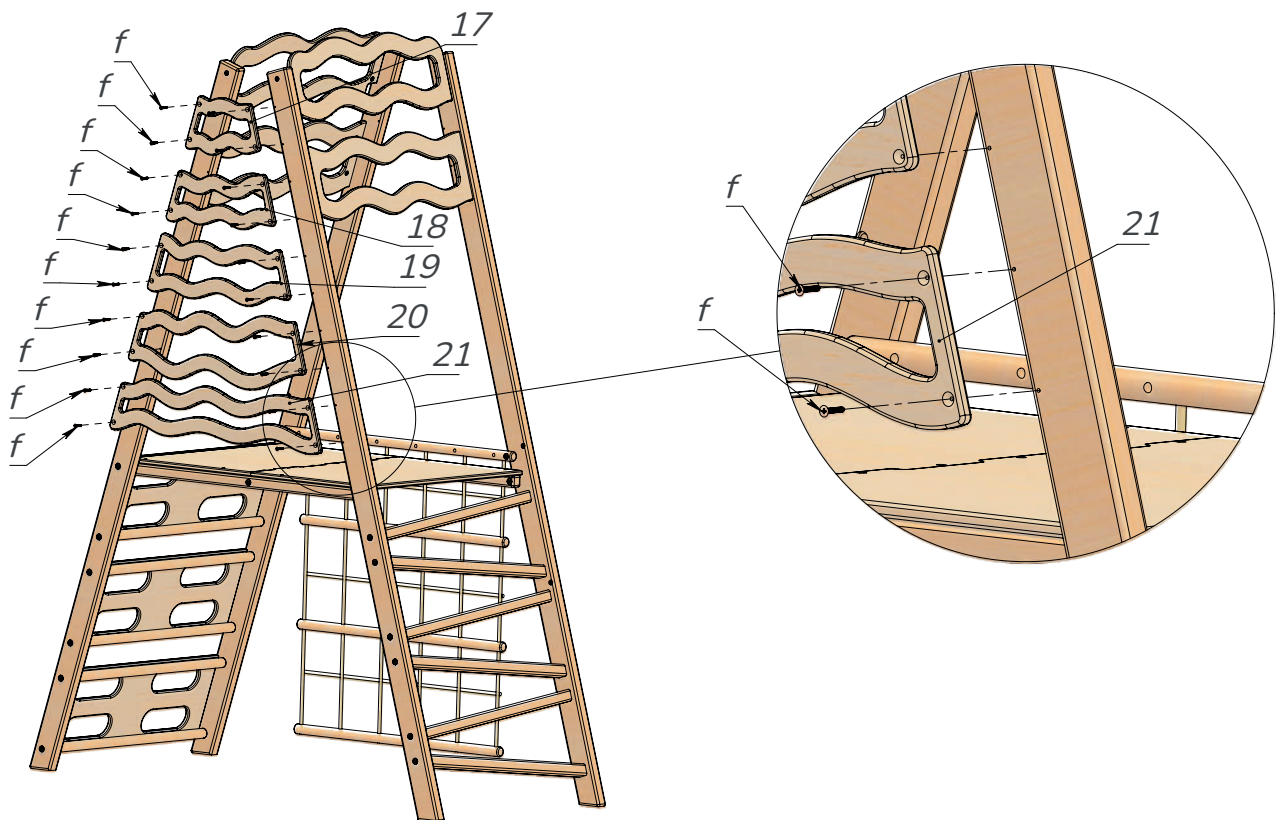
Pic. 10

Attach the bases (13) to the received structure with the help of self-tapping screw (f) and screwdriver (h). See Pic.10.



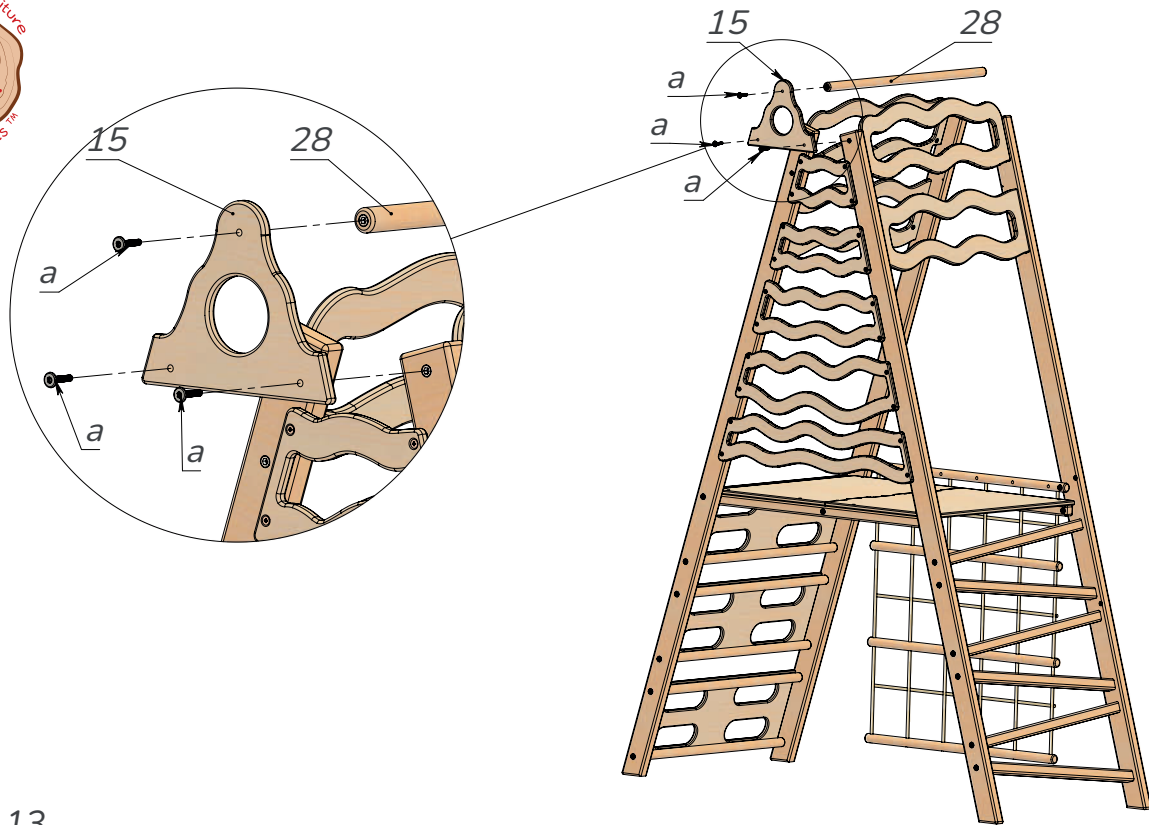
Pic. 11

Take the rope ladder (27) and attach it with the help of screws (b) and hex key (g) to the previously assembled construction. See Pic.11.



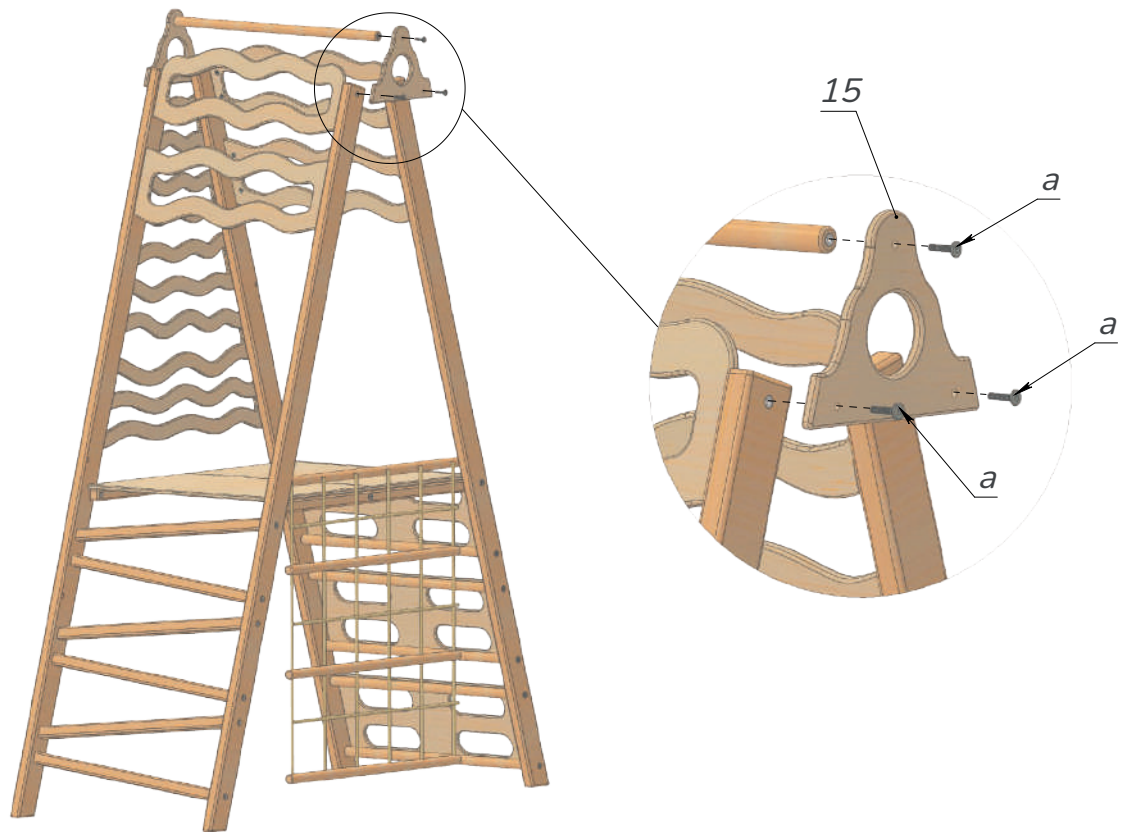
Pic. 12

Take the received construction and attach the back walls (17, 18, 19, 20, 21) one by one with the self-tapping screws (f) and screwdriver (h). See Pic.12.



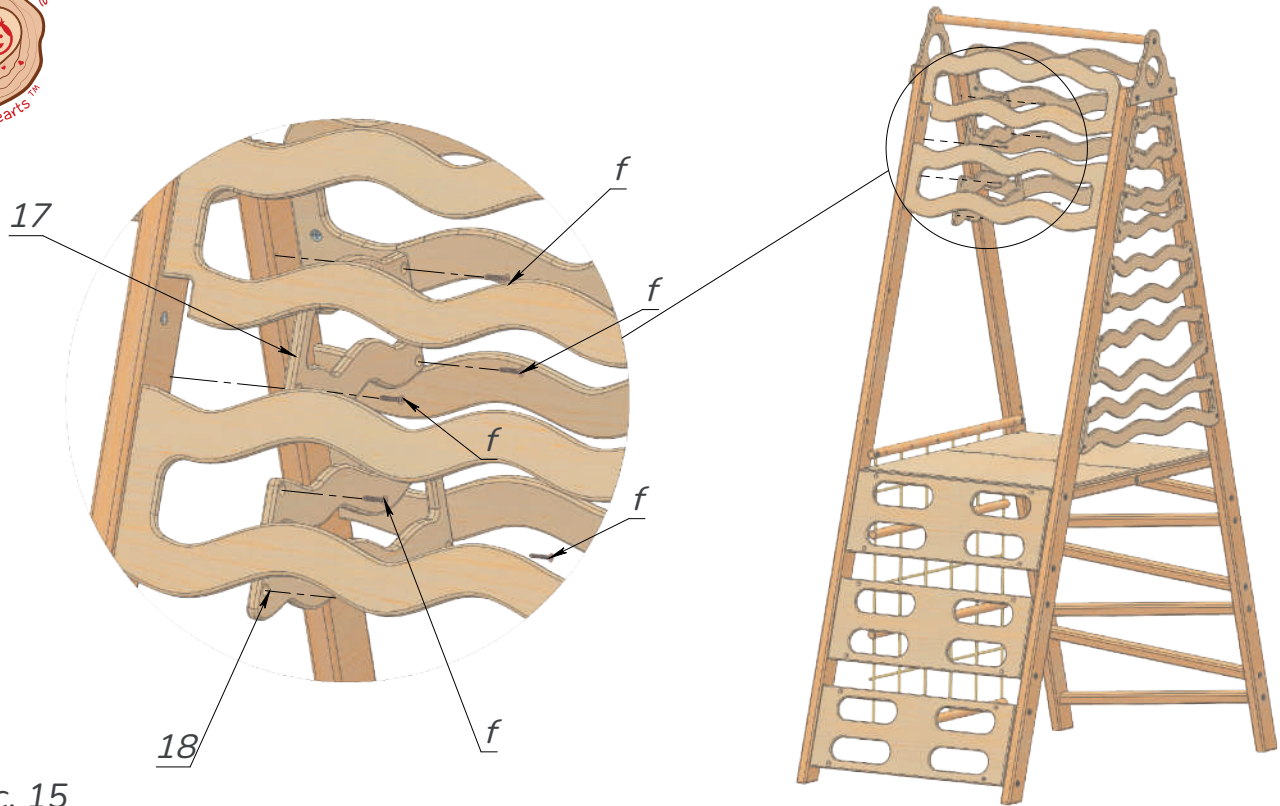
Pic. 13

Take the upper cover (15) and attach it with the help of screws (a) and hex key (g) to the previously assembled construction. Then attach the nog (28) with screws (a) to the upper cover (15). See Pic.13.



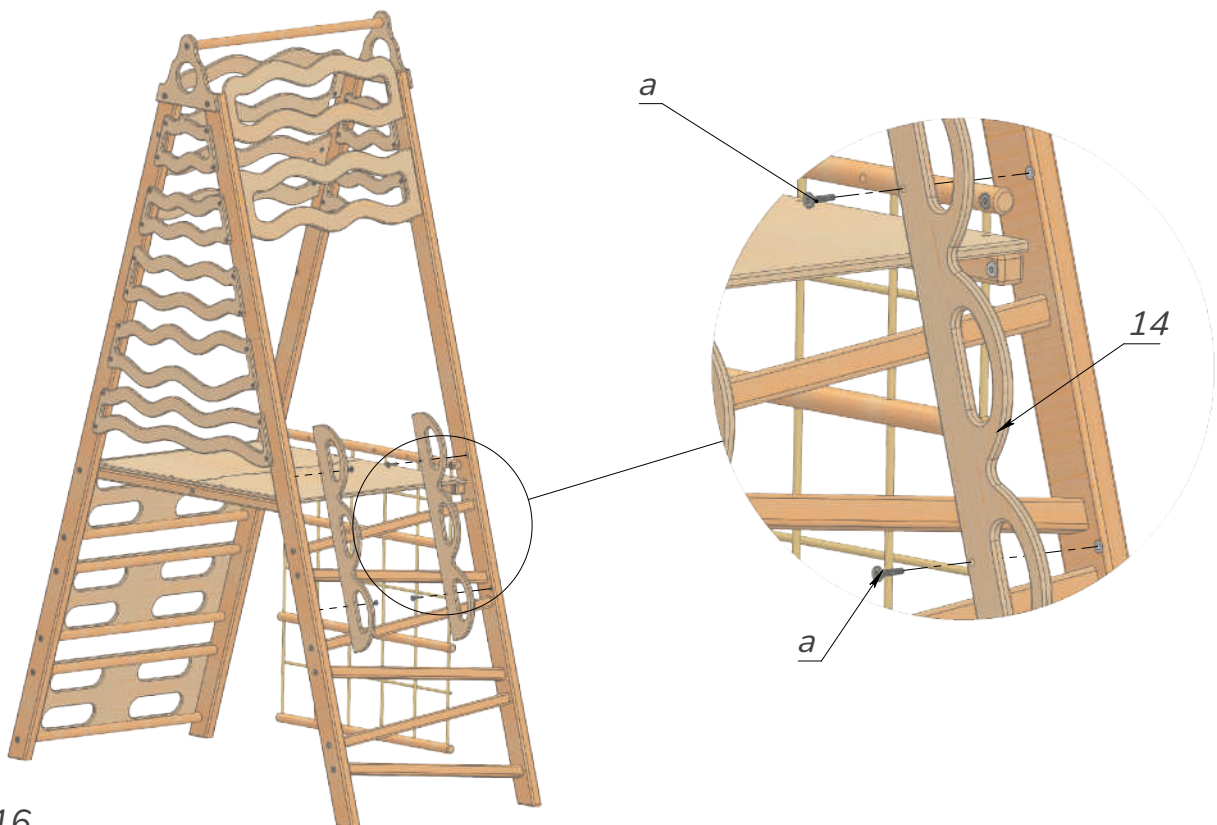
Pic. 14

Attach another upper cover (15) in a similar way with screws (a) and hex key (g). See Pic. 14.



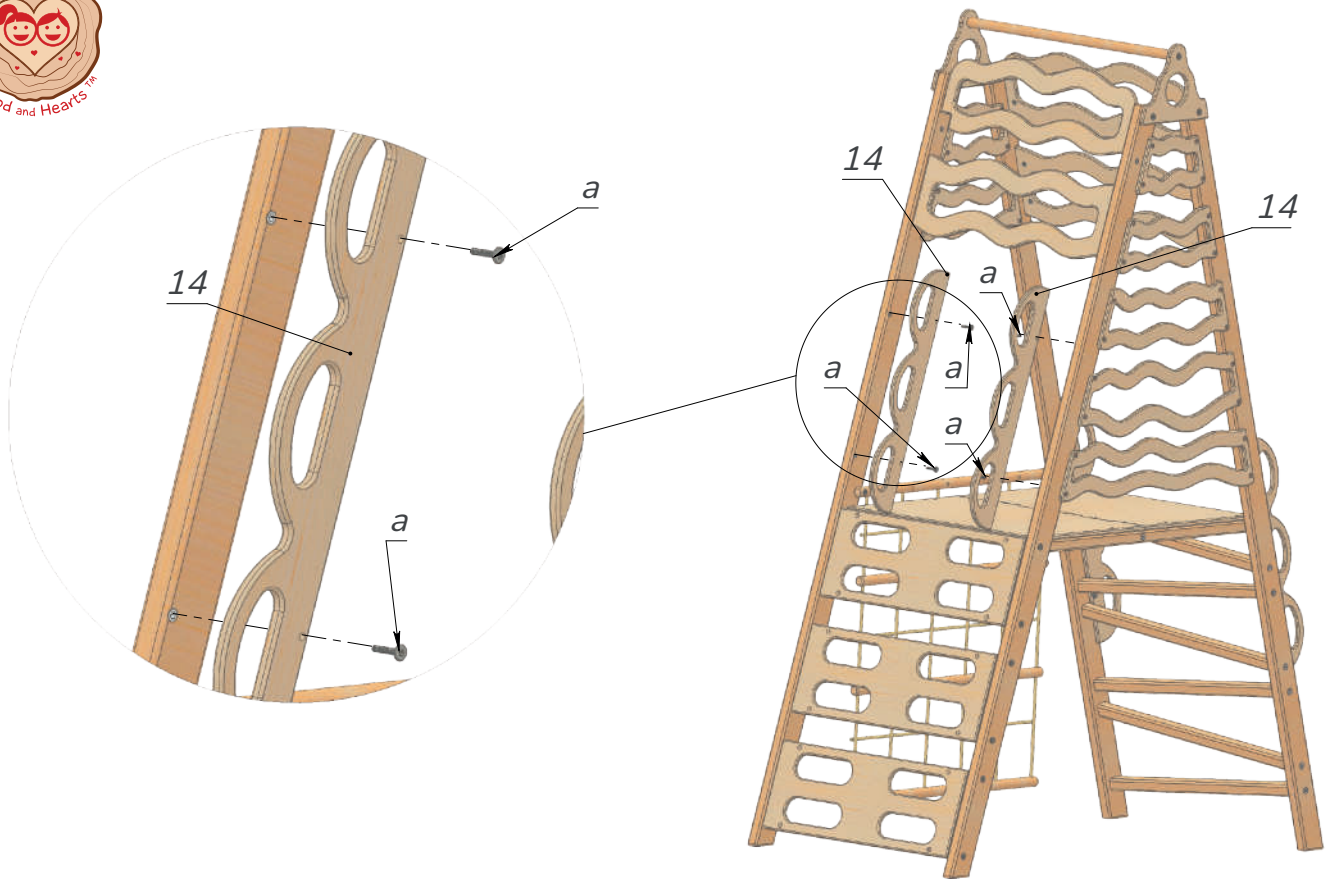
Pic. 15

Back walls #1,2 (17,18) attach with self-tapping screws (f) and screwdriver (h) to the previously assembled construction, from its inner side. See Pic. 15.



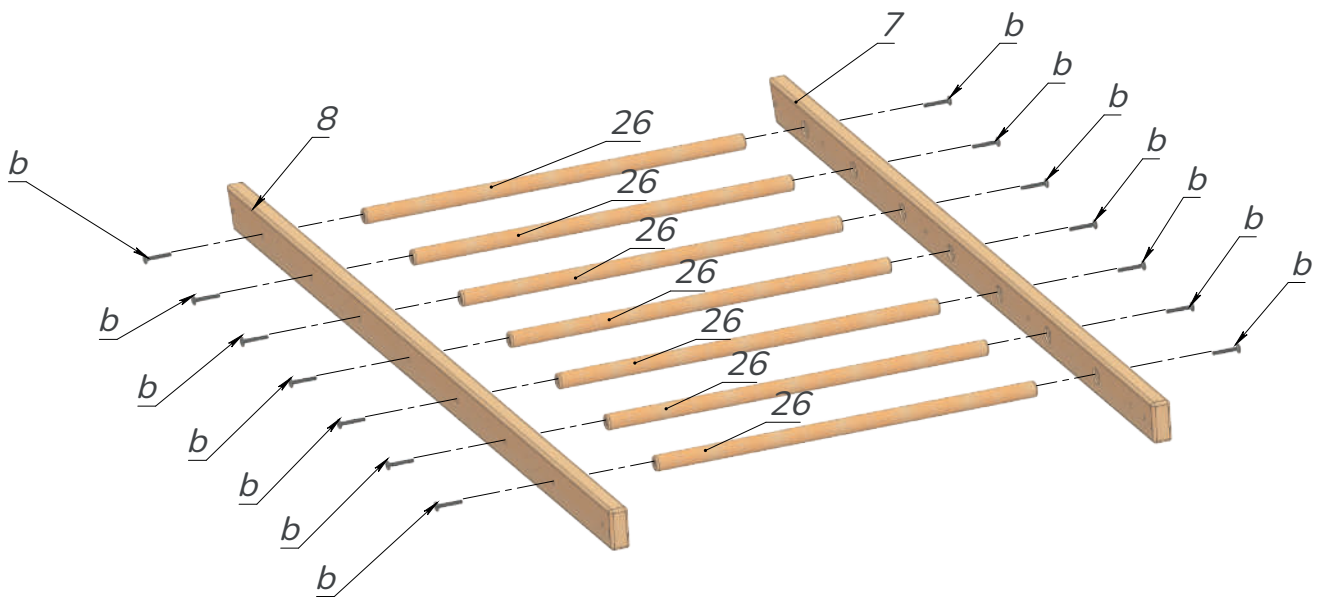
Pic. 16

Two handles (14) are to be attached to the assembled structure with screws (a) and hex key (g). See Pic. 16.



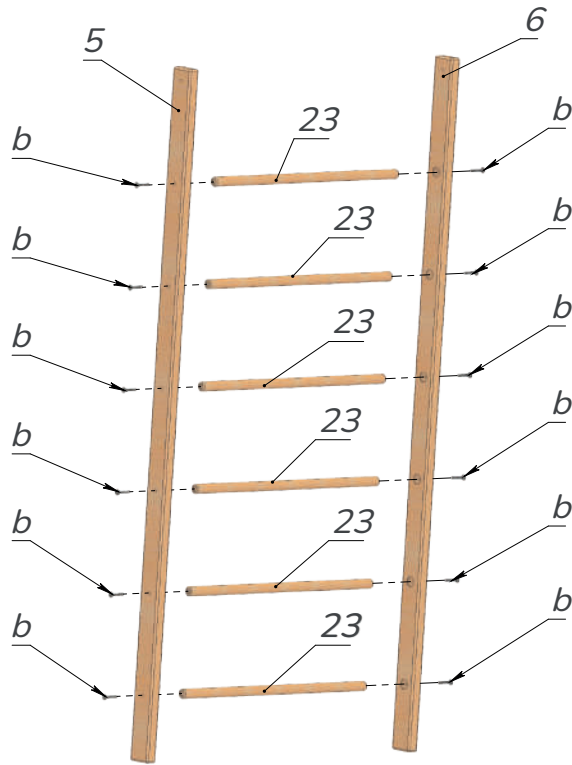
Pic. 17

Attach another handles (14) with screws (a) and hex key (g). See Pic. 17.



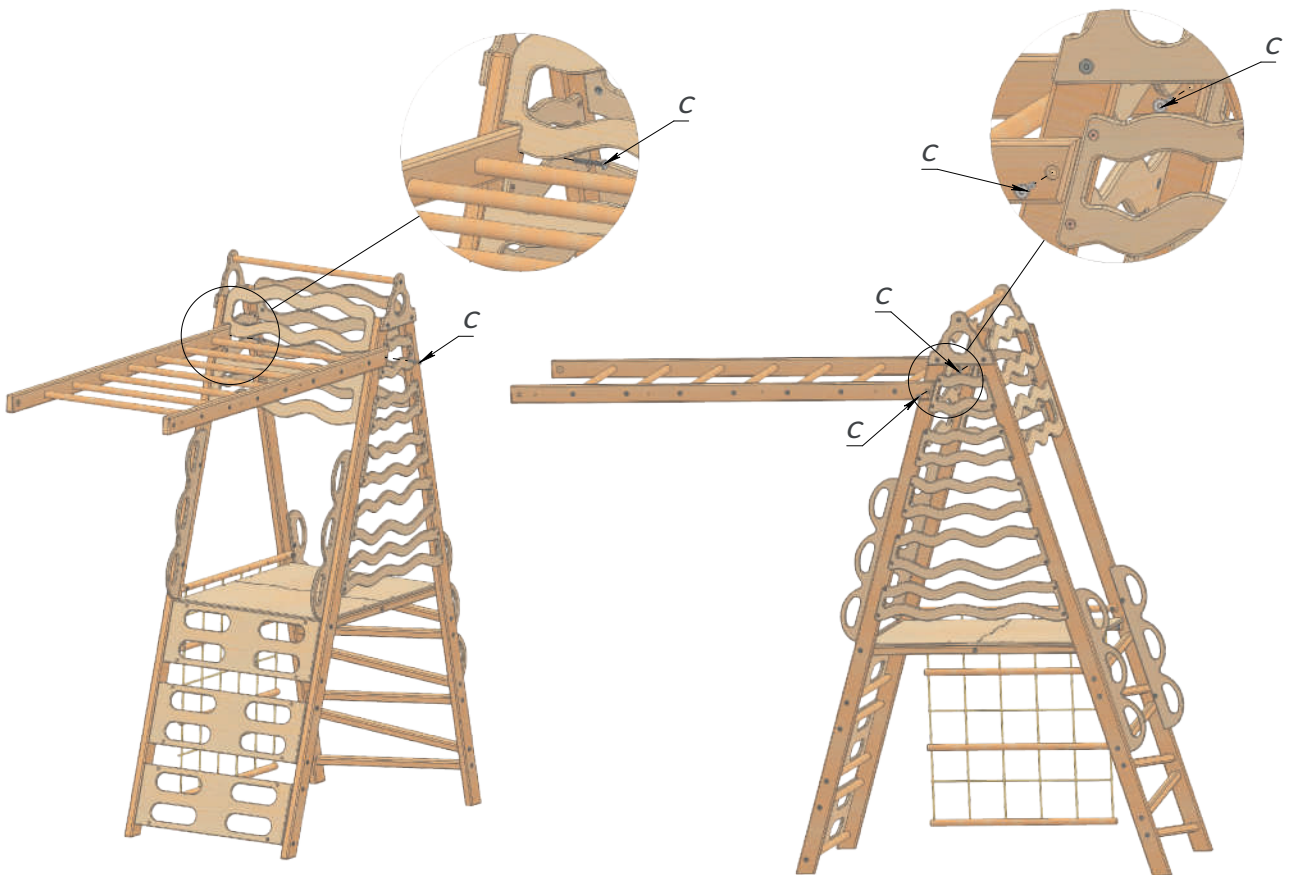
Pic. 18

7 nogs (26) are to be attached to the upper planks (7,8) one by one with the screws (b) and hex key (g). See Pic.18.



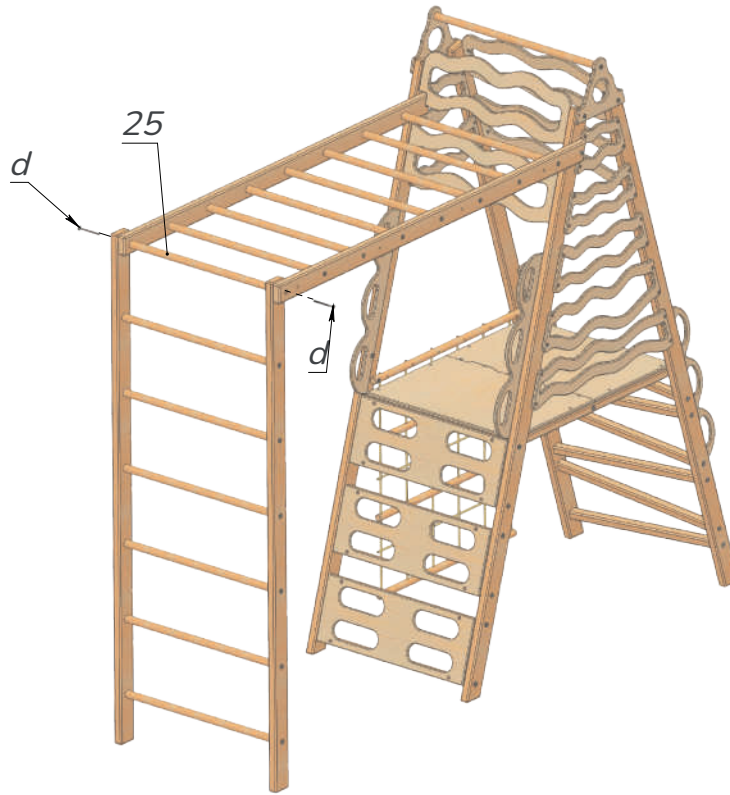
Pic. 19

6 nogs (26) are to be attached to the vertical stands (5.6) with the screws b) and hex key (g) one by one. See Pic.19.



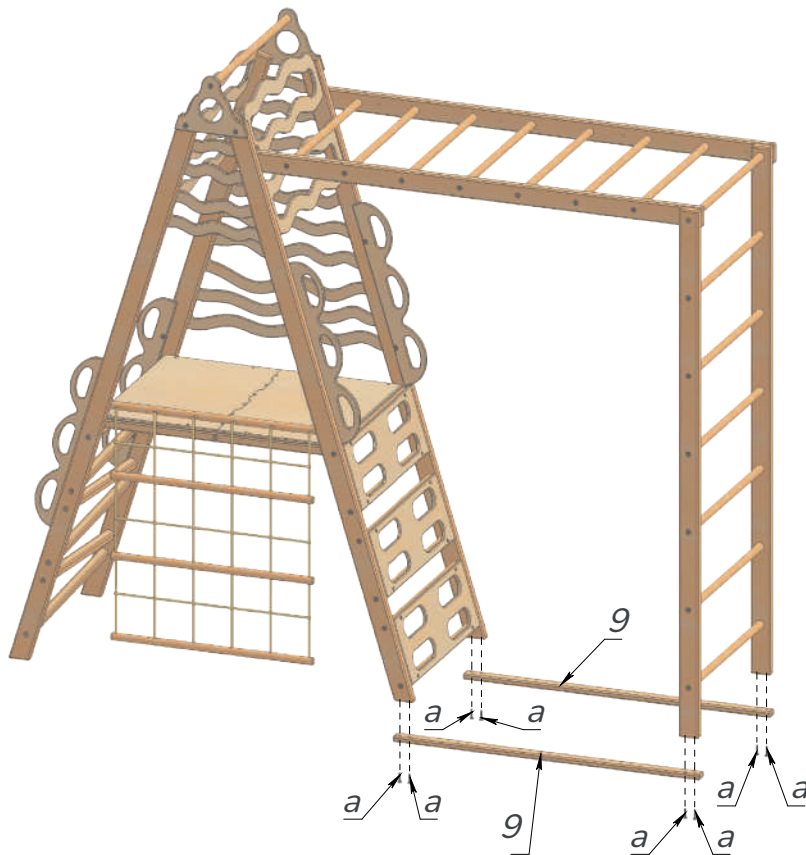
Pic. 20

Join the constructions shown in the Pic, 17, 18 with the screws (c) and hex key (g). See Pic.20.



Pic. 21

Attach the semi-product to the previously assembled construction shown in the Pic. 19, installing the nog (25) beforehand with screws (d) and hex key (g). See Pic.21.



Pic. 22

Attach the lower planks (9) with the screws (a) and hex key (g). See Pic. 22.

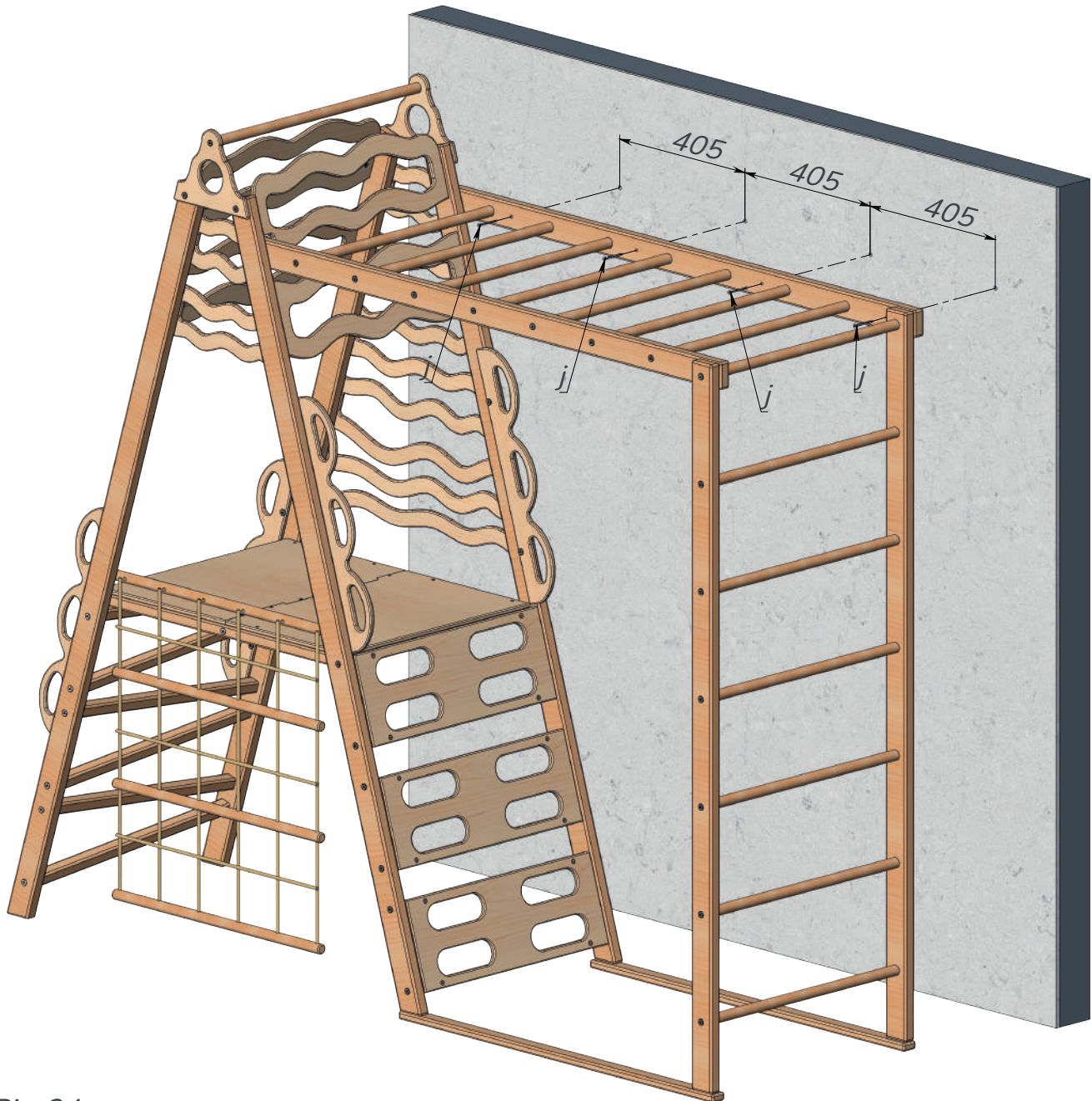
Attachment to the brick or concrete wall



Pic. 23

The ready construction is to be attached to the brick or concrete wall with the help of dowels (i) and self-tapping screws (j). See Pic.23.

Attachment to the plasterboard wall.



Pic. 24

The ready construction is to be attached only to the wooden or metal profile of the wall with self-tapping screws (j). See Pic.24.



To be used indoors, for its intended purpose only and under the direct supervision of an adult!
All the responsibility for children's injuries received during games on the furniture lies on adults watching after them.

Always be vigilant during children's games!