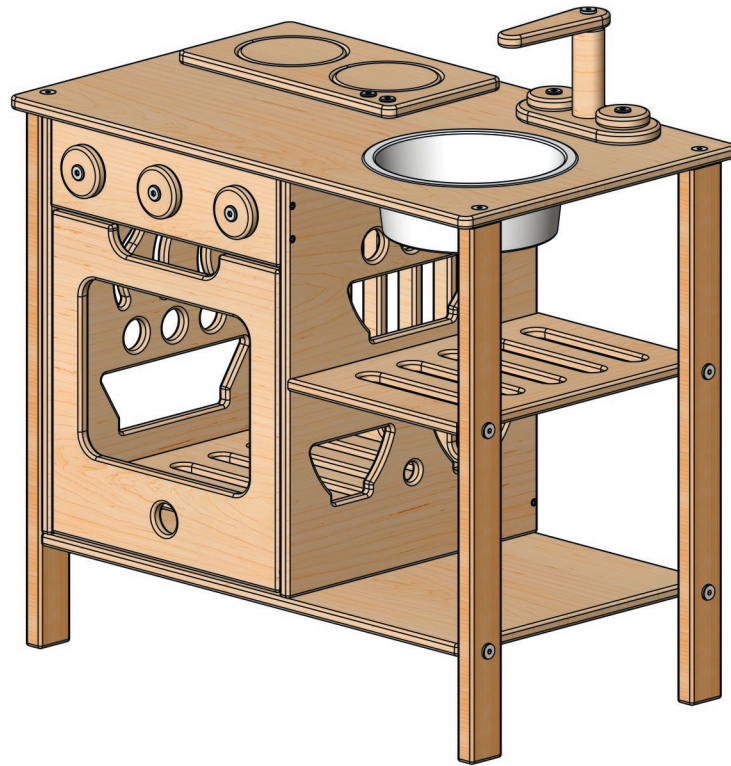


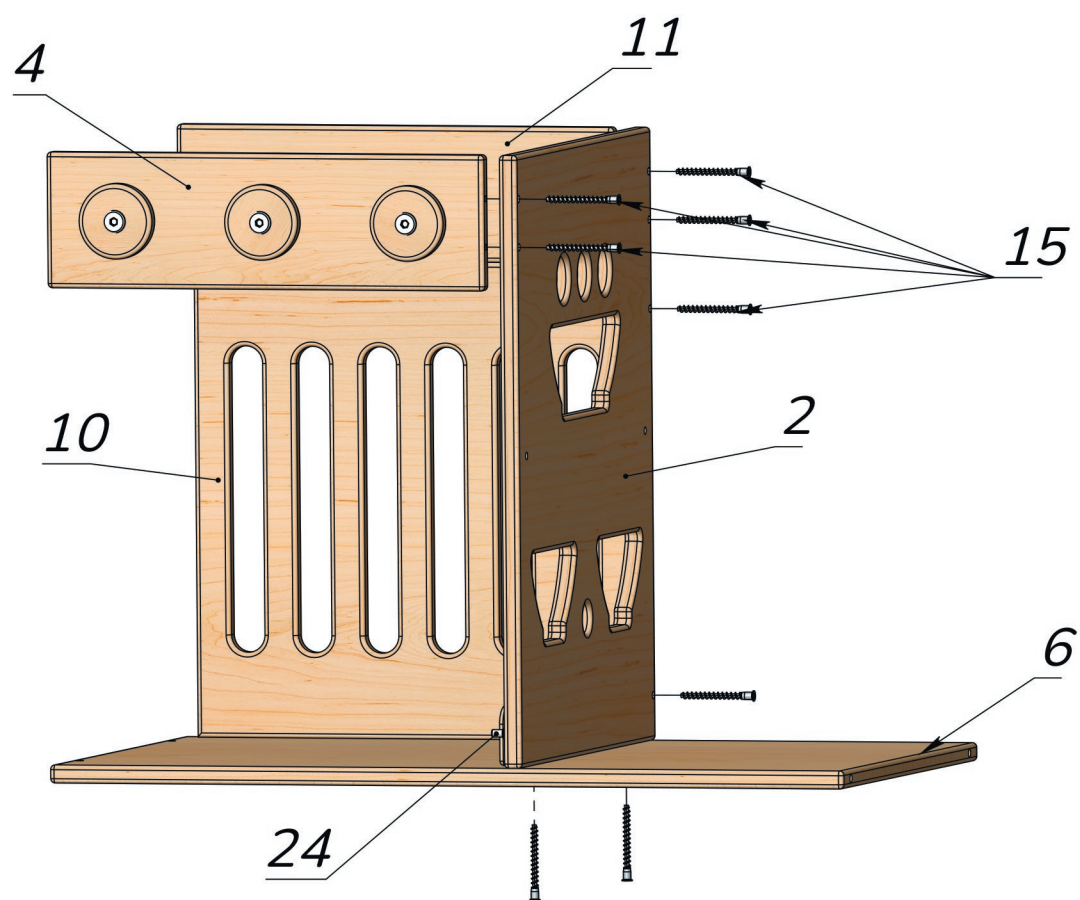


# Kitchen "Mini"



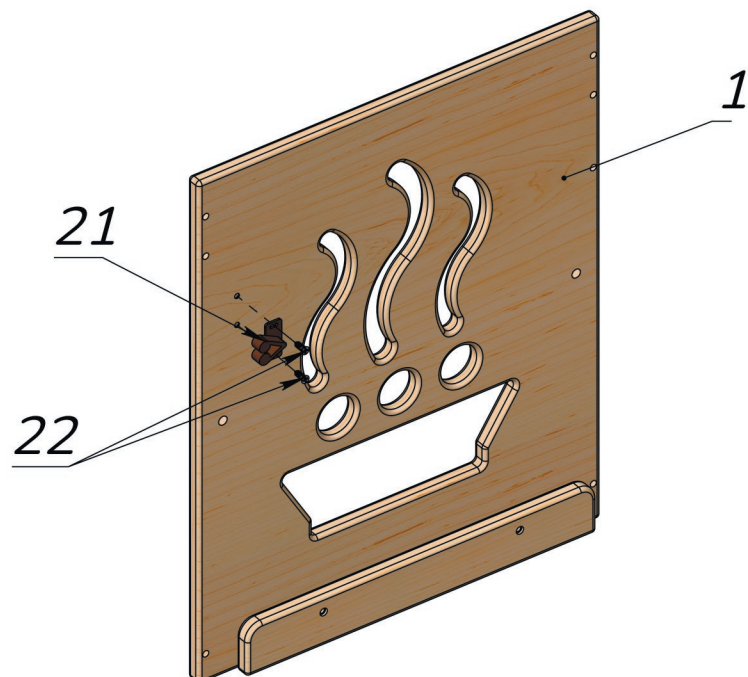
## Assembly details

<p>1 - Left sidewall</p> <p>1 pc.</p>	<p>2 - Middle wall</p> <p>1 pc.</p>	<p>3 - Legs</p> <p>4 pc.</p>	<p>4 - Front panel</p> <p>1 pc.</p>	<p>5 - Tabletop</p> <p>1 pc.</p>
<p>6 - Lower base</p> <p>1 pc.</p>	<p>7 - Shelf</p> <p>1 pc.</p>	<p>8 - Baking tray</p> <p>1 pc.</p>	<p>9 - Door</p> <p>1 pc.</p>	<p>10 - Lower back wall</p> <p>1 pc.</p>
<p>11 - Upper back wall</p> <p>1 pc.</p>	<p>12 - Sink</p> <p>1 pc.</p>	<p>13 - Upper faucet part</p> <p>1 pc.</p>	<p>14 - Faucet base</p> <p>1 pc.</p>	<p>15 - Confirmat screw 5x40</p> <p>18 pcs.</p>
<p>16 - 3 mm hex key</p> <p>1 pc.</p>	<p>17 - Self-tapping screw 6.3x40</p> <p>12 pcs.</p>	<p>18 - 4 mm hex key</p> <p>2 pcs.</p>	<p>19 - Ericson nut</p> <p>2 pcs.</p>	<p>20 - Screw M6x30</p> <p>2 pcs.</p>
<p>21 - Plastic lock</p> <p>1 pc.</p>	<p>22 - Self-tapping screw 2.5x12</p> <p>4 pcs.</p>	<p>23 - Screwdriver</p> <p>1 pc.</p>	<p>24 - Shelf support</p> <p>2 pcs.</p>	



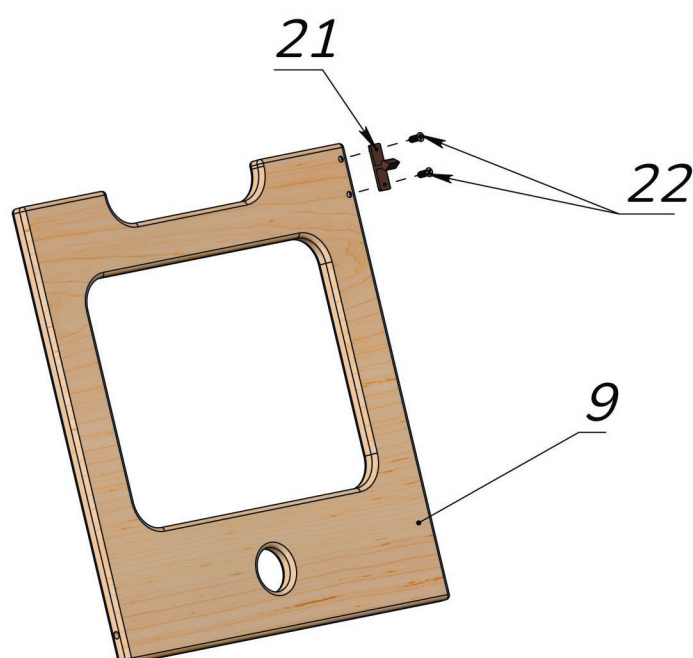
Pic. 1

Take the lower base (6) and using the confirmat screws (15), screw the middle wall (2) to it. Then take the front panel (4), lower back wall (10) and upper back wall (11), and using the confirmat screws (15), connect it to the middle wall (2). See Pic. 1.



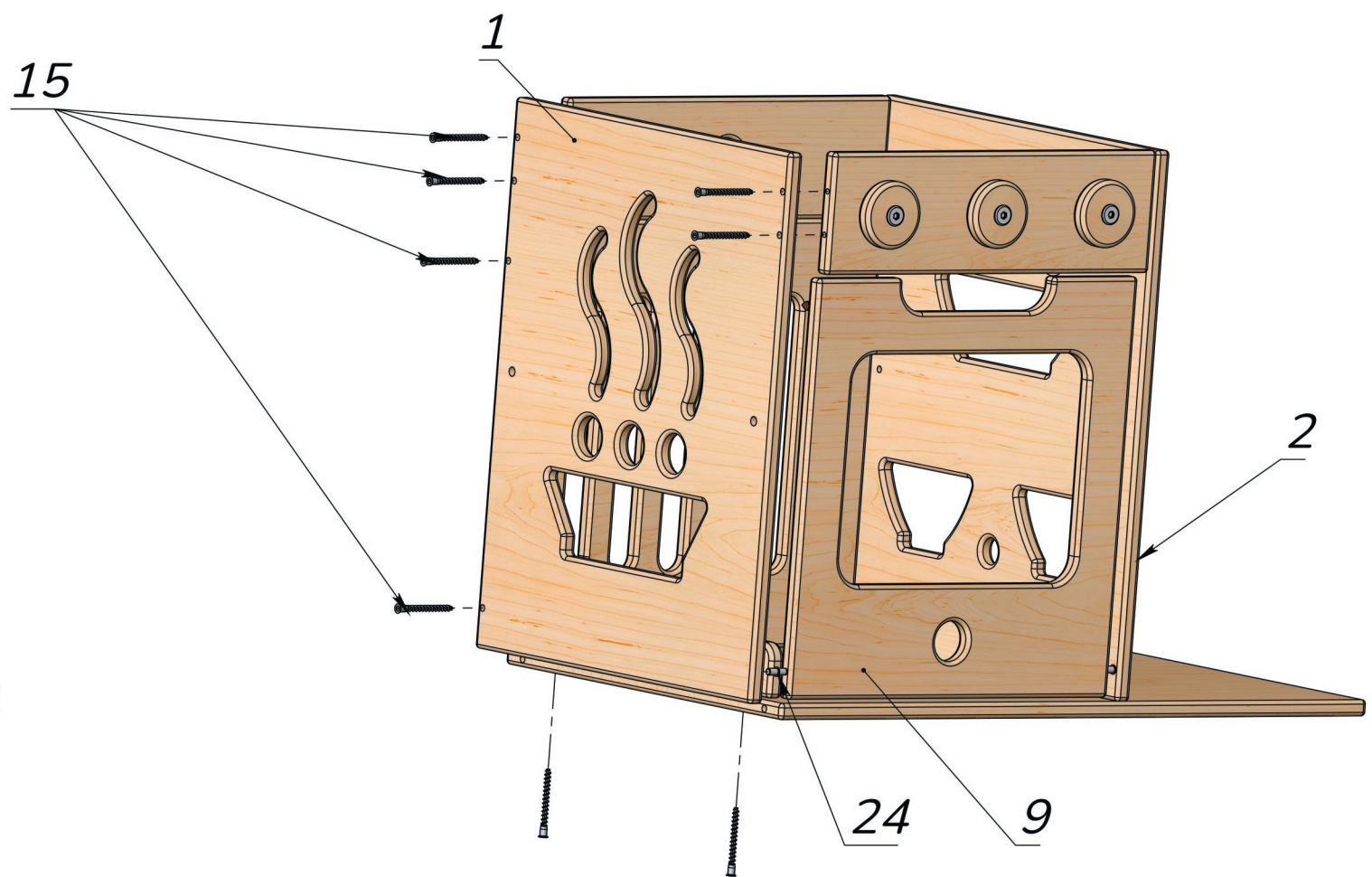
Pic. 2

Take the left sidewall (1) and using the self-tapping screws (22) and a screwdriver (23), connect the plastic lock (21) to it. See Pic. 2



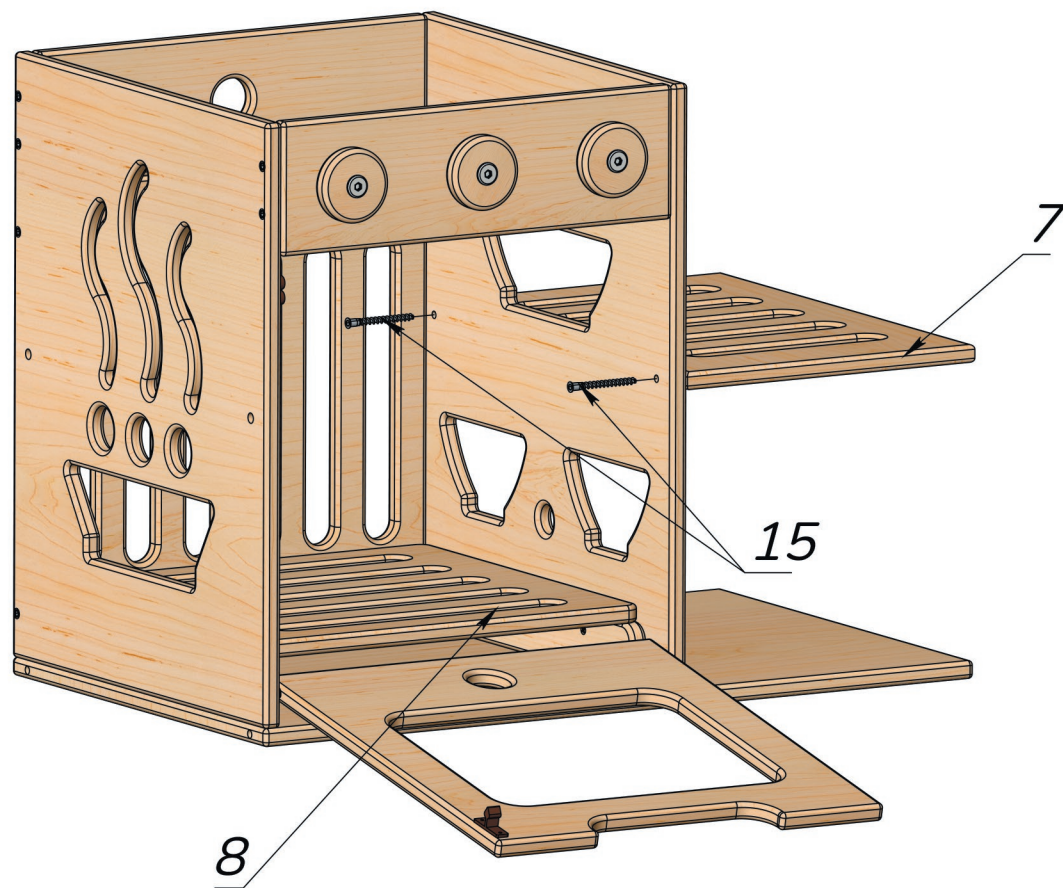
Pic. 3

Take the door (9) and using the self-tapping screws (22) and a screwdriver (23), connect the plastic lock to it (21). See Pic. 3



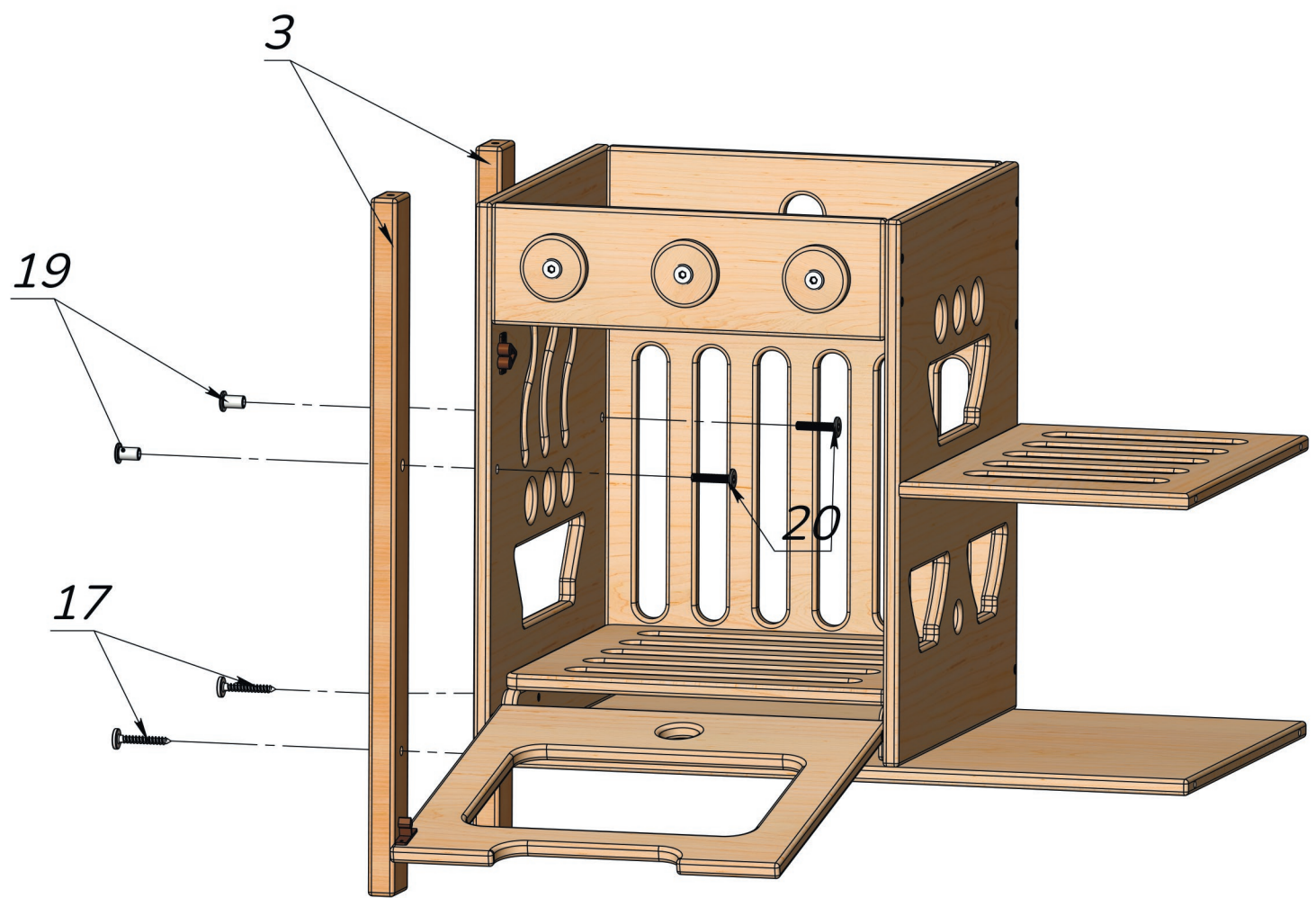
Pic. 4

Install the door (9) onto the shelf support (24) located at the middle wall (2). Install another shelf support (24) into the door (9) from another side. Screw the left sidewall (1) to the previously assembled construction using confirmat screws (15) and hex key (16). See Pic. 4.



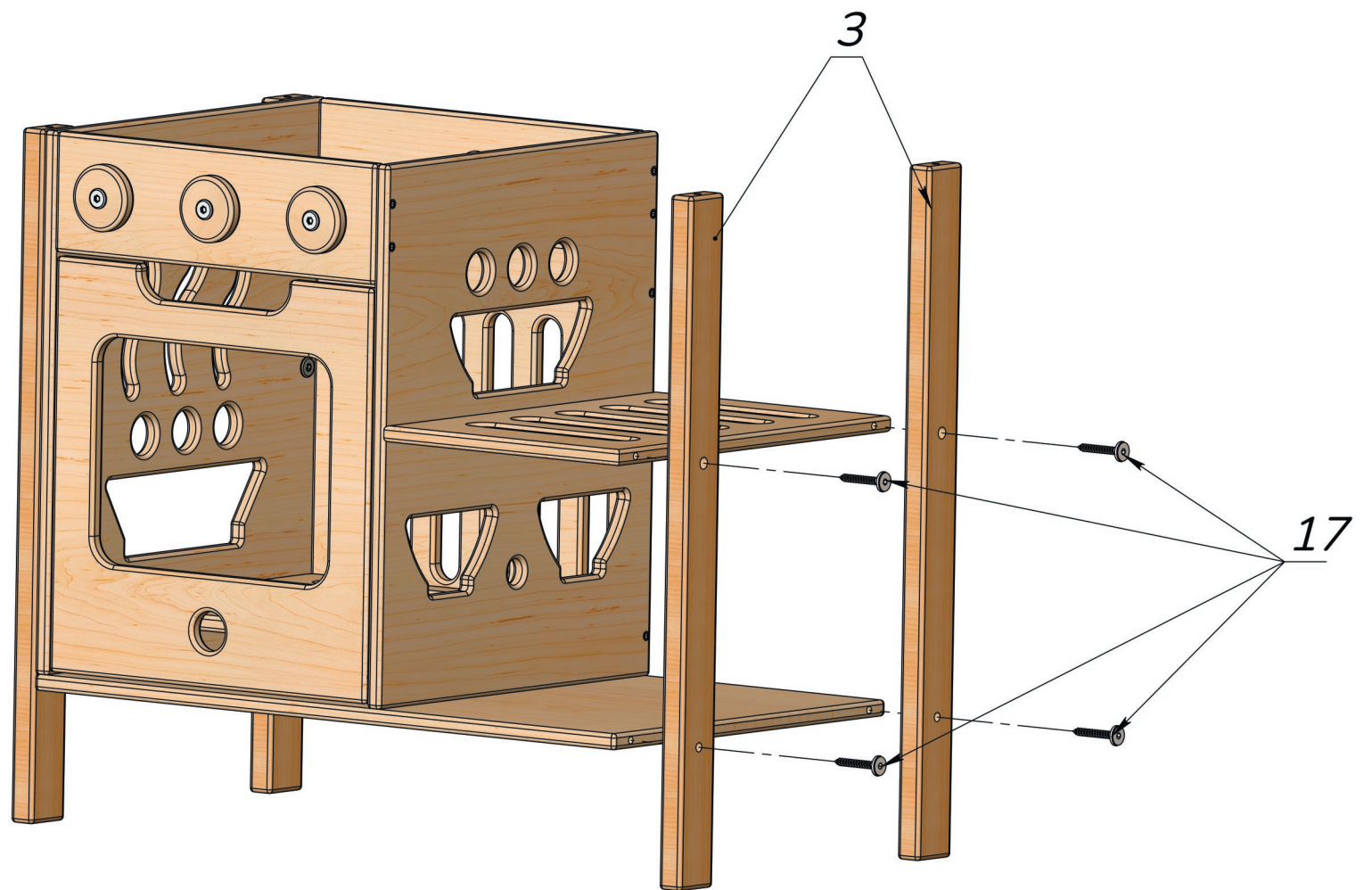
Pic. 5

Screw the shelf (7) to the middle wall (2) using the confirmat screws (15) and hex key (16). Install the baking tray (8). See Pic. 5.



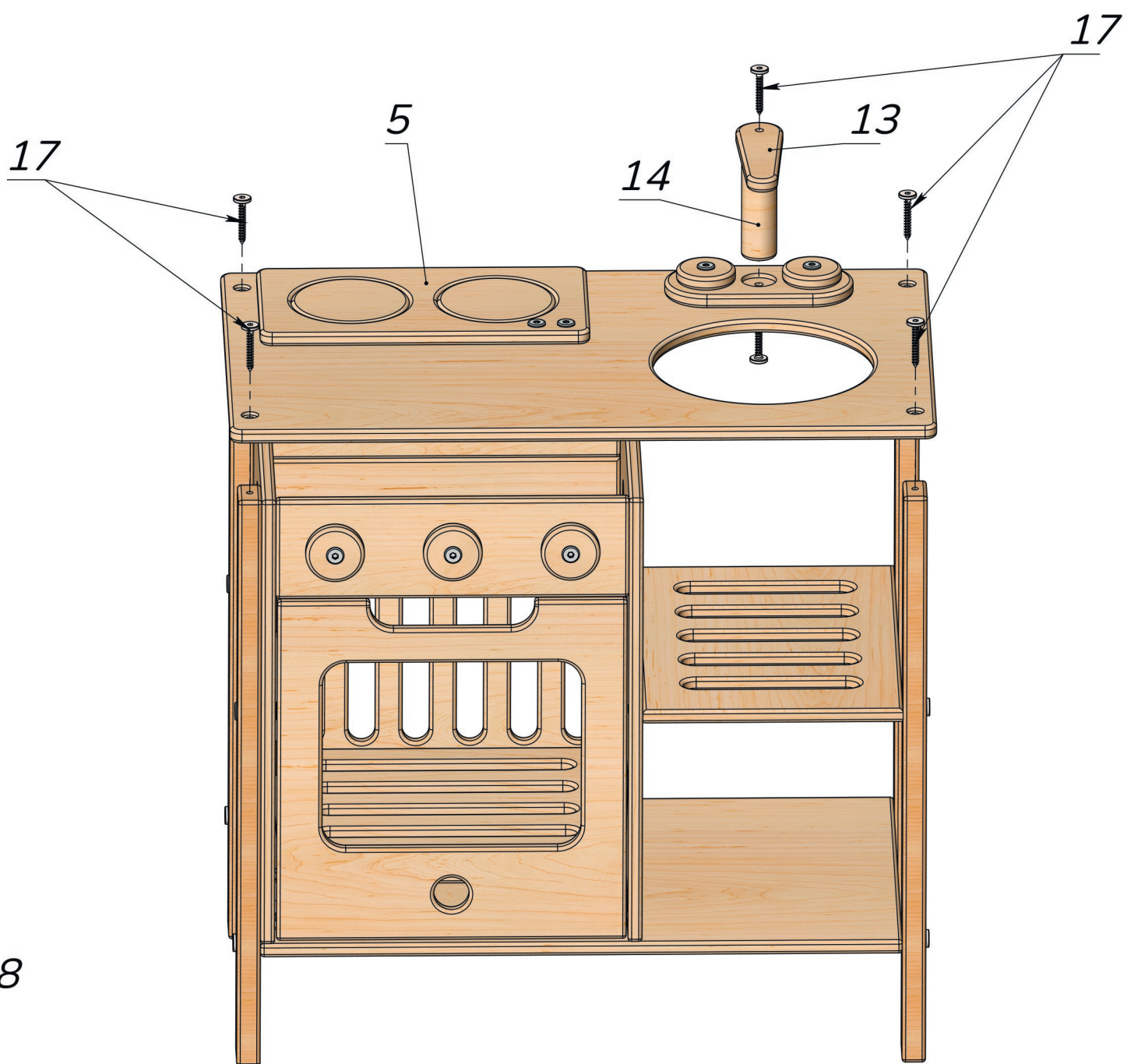
Pic. 6

Take 2 legs (3) and screw them to the previously assembled construction using the self-tapping screws (17) at the bottom and Ericson nuts (19), screws (20) and both hex keys (18) from above. See Pic. 6.



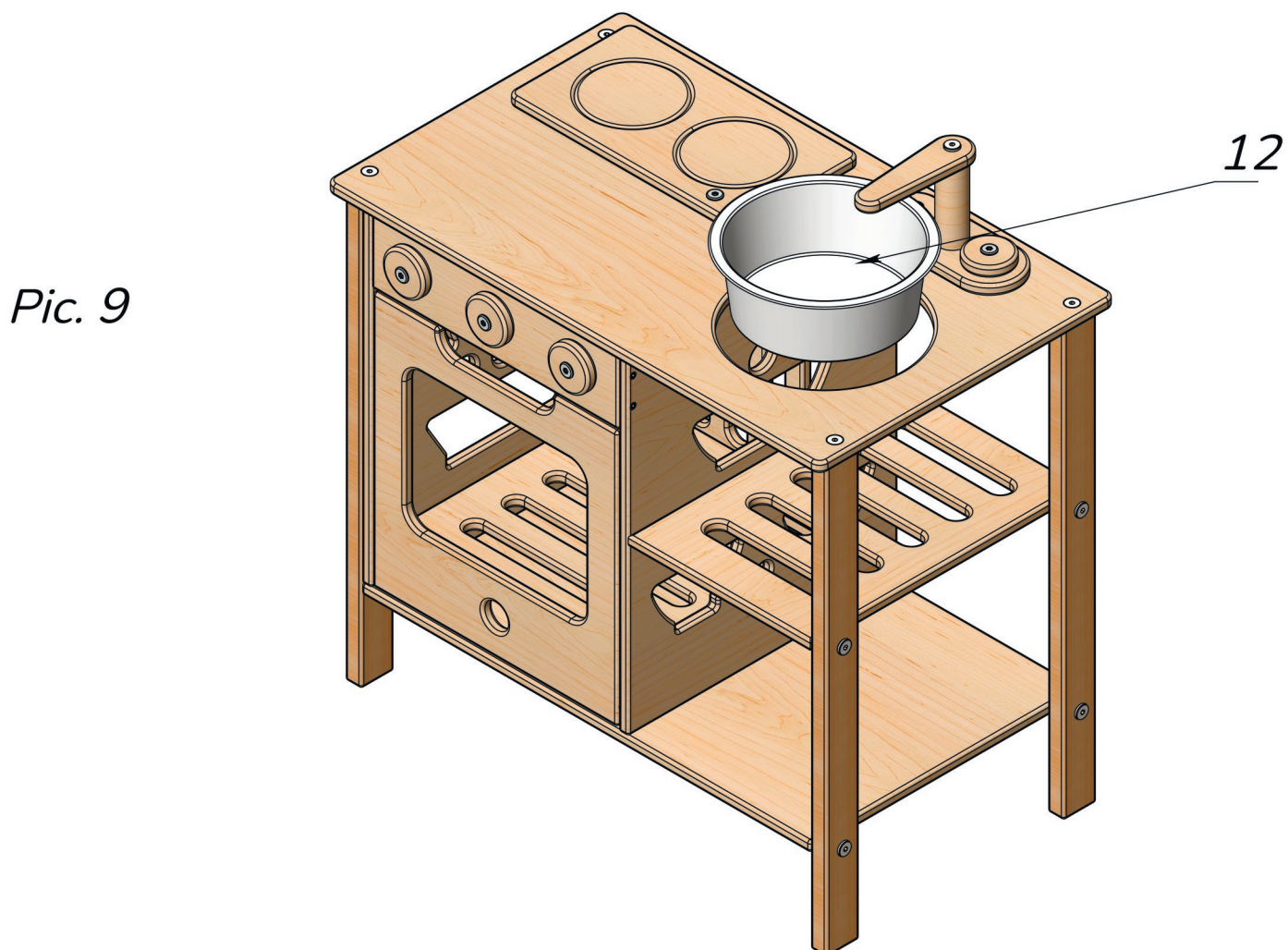
Pic. 7

Take 2 other legs (3) and using the self-tapping screws (17) and hex key (18), connect them to the construction from another side. See Pic. 7



*Pic. 8*

Install the tabletop (5) onto the previously assembled construction and screw it with the screws (17). Connect the upper faucet part (13) with the faucet base (14) using the screws (17) and connect it to the tabletop (5). See Pic. 8.



*Pic. 9*

Install the sink (12) into the assembled construction. See Pic. 9.

**To be used for its intended purpose only and under the direct supervision of an adult!  
All the responsibility for children's injuries received during games on  
the furniture lies on adults watching after them.  
Always be vigilant during children's games!**