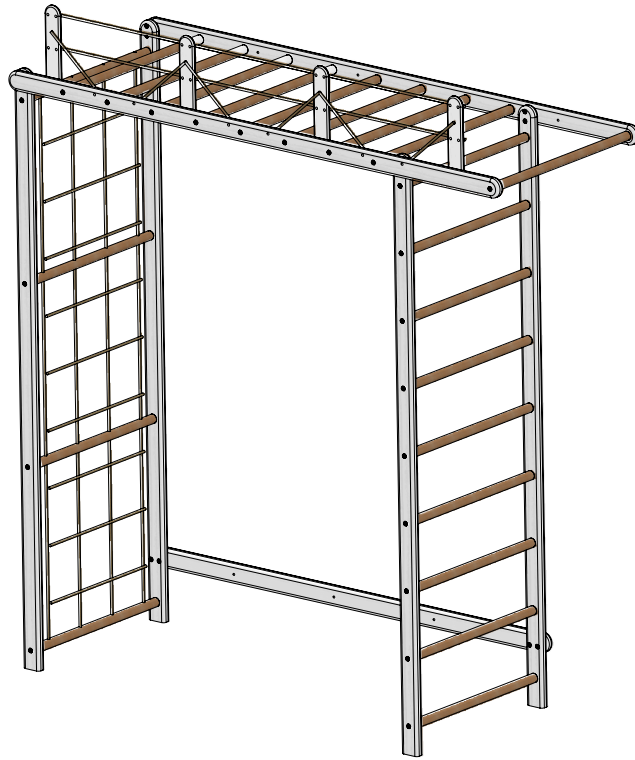
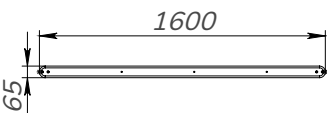
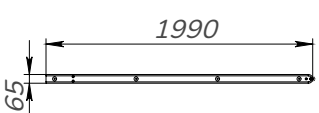
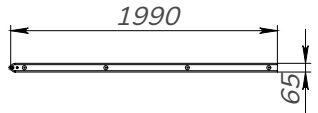
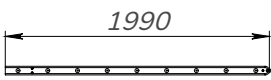
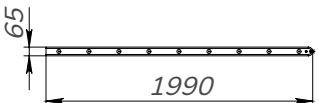
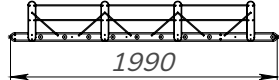
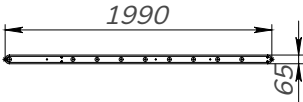
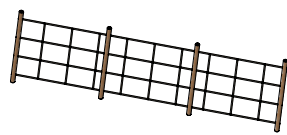
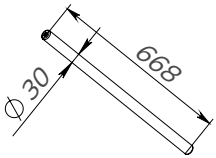
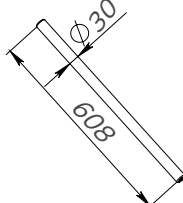


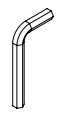


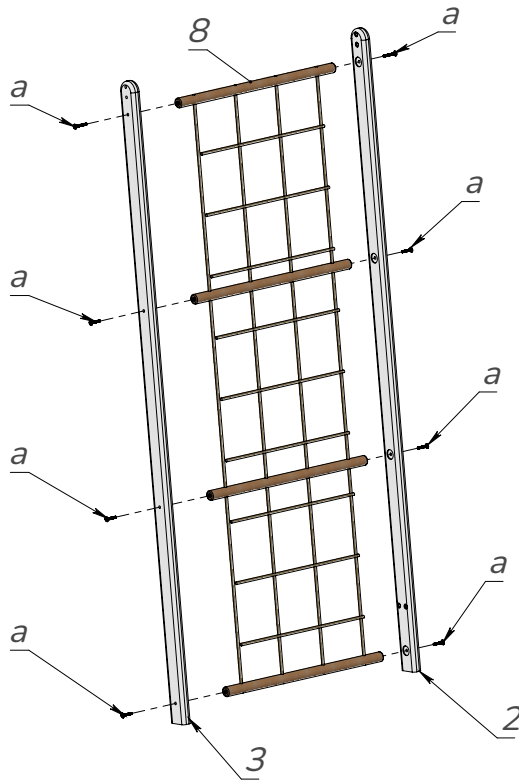


Swedish ladder "Bridge"



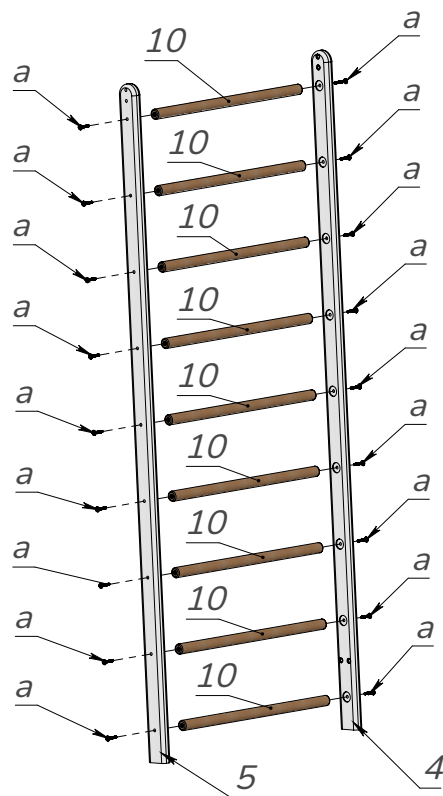
ASSEMBLY DETAILS

<p>1 - Back bar</p>  <p>1 pc.</p>	<p>2 - Rope sidewall #1</p>  <p>1 pc.</p>	<p>3 - Rope sidewall #2</p>  <p>1 pc.</p>
<p>4 - Ladder sidewall with 9 steps #1</p>  <p>1 pc.</p>	<p>5 - Ladder sidewall with 9 steps #2</p>  <p>1 pc.</p>	<p>6 - Upper sidewall of the ladder #1</p>  <p>1 pc.</p>
<p>7 - Upper sidewall of the ladder #2</p>  <p>1 pc.</p>	<p>8 - Rope ladder</p>  <p>1 pc.</p>	<p>9 - Long nog</p>  <p>9 pcs.</p>
<p>10 - Short nog</p>  <p>9 pcs.</p>	<p>a - Screw M6x40</p>  <p>56 pcs. + 3 pcs. spare</p>	<p>b - Screw M6x25</p>  <p>8 pcs. + 1 pc. spare</p>
<p>c - hex key 4 mm</p>  <p>1 pc.</p>	<p>d - Dowel</p>  <p>6 pcs.</p>	<p>e - Self-tapping screw 6x100</p>  <p>6 pcs.</p>



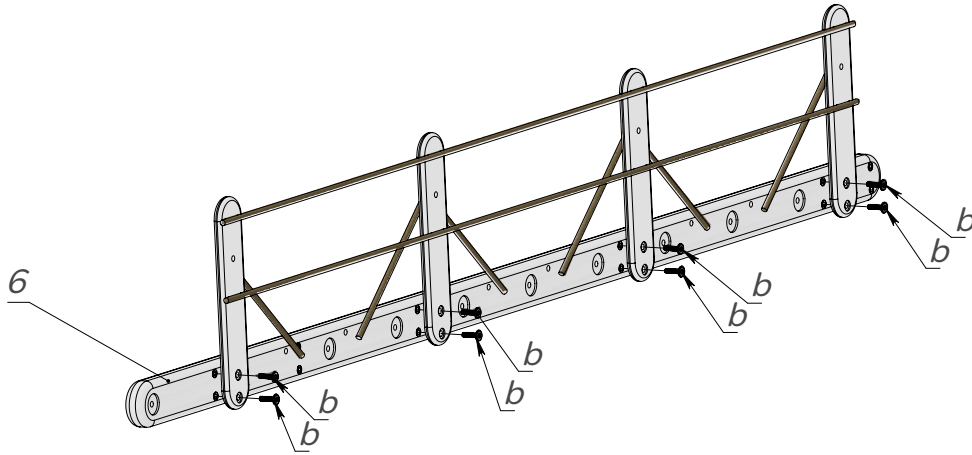
Pic. 1

Take the rope ladder (8) and connect it to the rope sidewall (2) and (3) using the screws (a) and a hex key (c). See Pic.1.



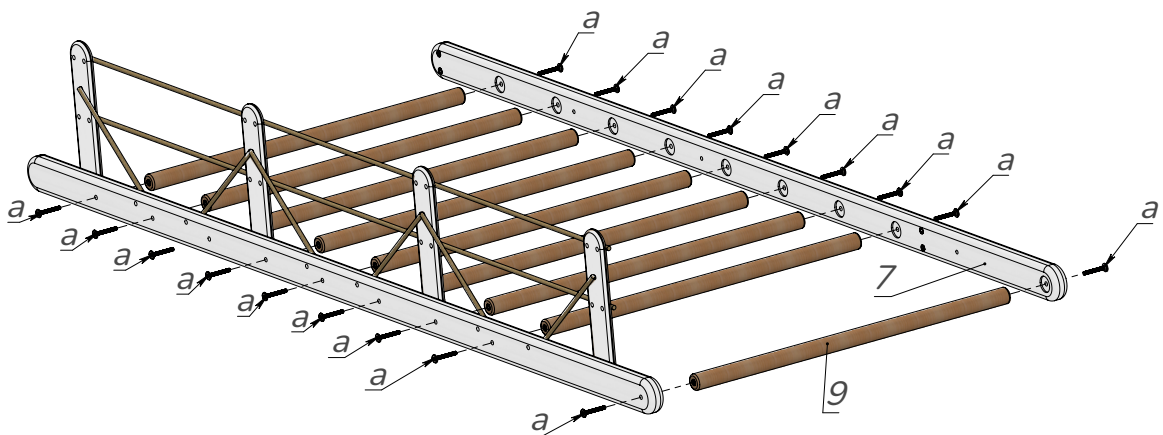
Pic. 2

Take the ladder sidewall (4) and connect it to the nogs (10) using the screws (a) and a hex key (c). Then fulfill the same with ladder sidewall (5). See Pic. 2.



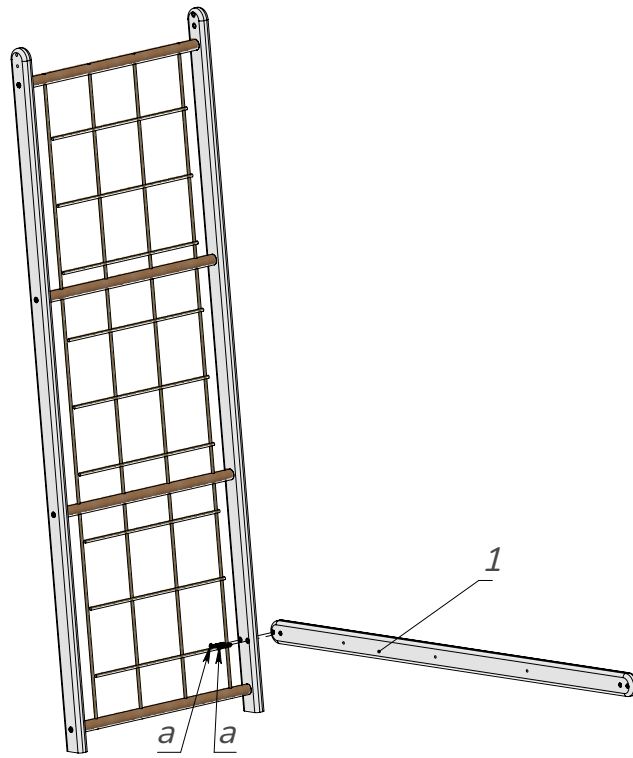
Pic. 3

Take the upper sidewall of the ladder (6) and fasten 4 bars vertically using the screws (b) and a hex key (c). See Pic. 3.



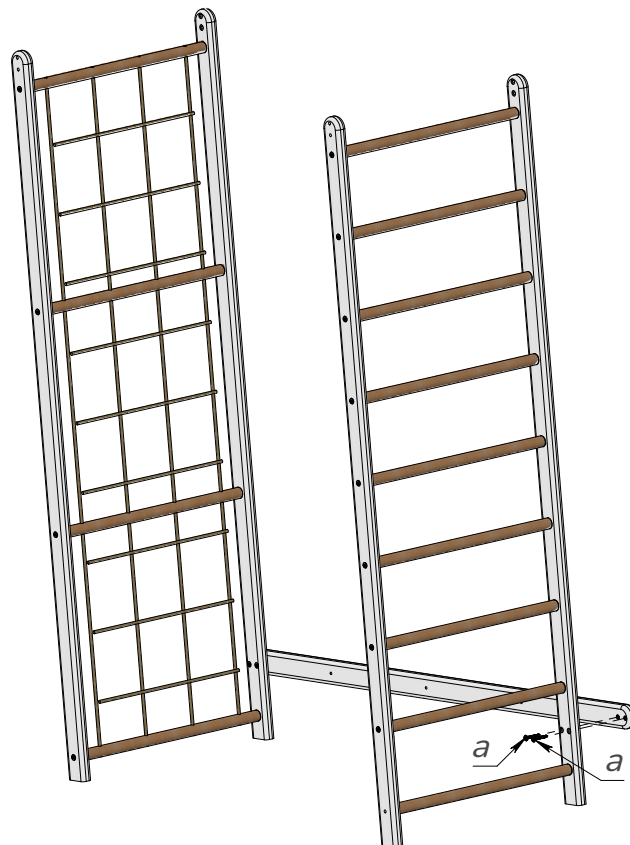
Pic. 4

Connect the nog (9) to the previously assembled construction using the screws (a) and a hex key (c). Then fulfill the same with upper sidewall of the ladder (7). See Pic. 4.



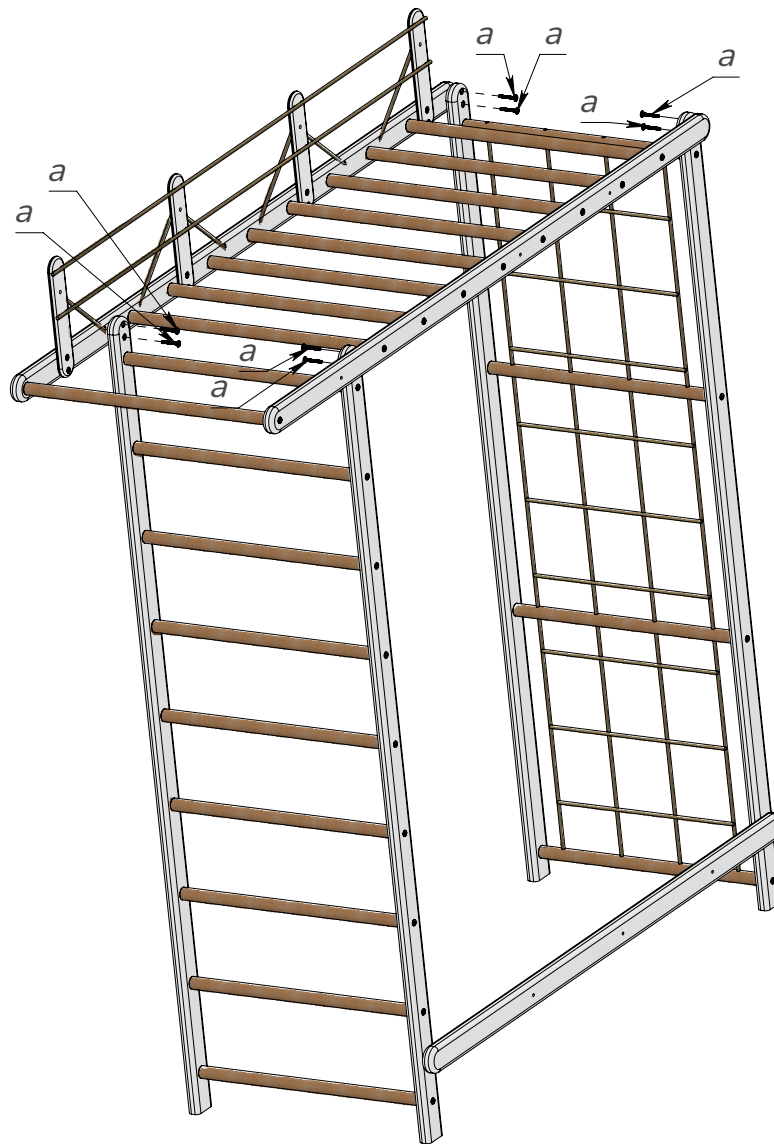
Pic. 5

Take the rope ladder assembled as depicted on Pic. 1, and connect it to the back bar (1) using the screws (a) and a hex key (c). See Pic. 5.



Pic. 6

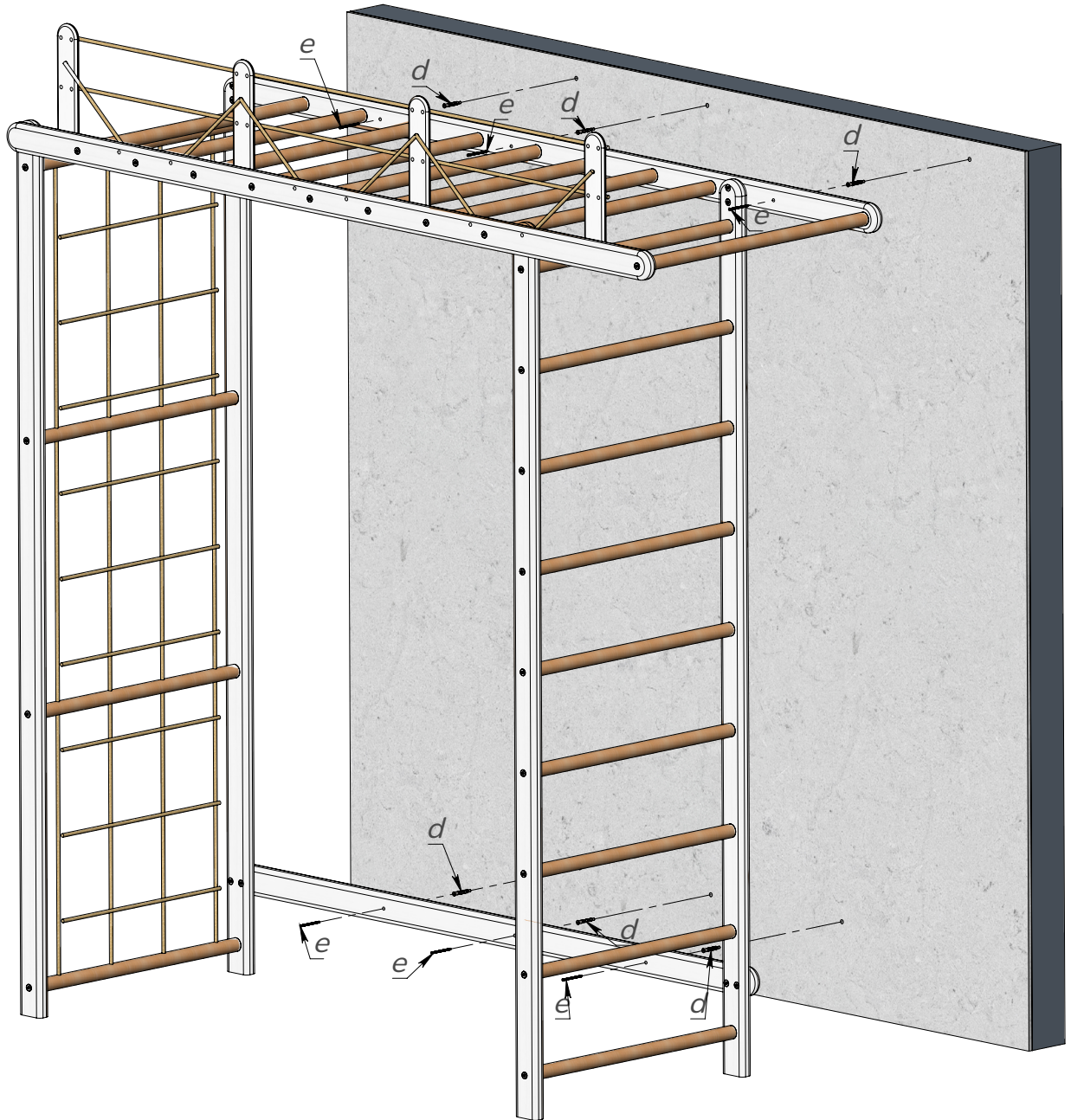
Take the previously assembled construction and connect it to the ladder with 9 steps depicted on Pic. 2 using the screws (a) and a hex key (c). See Pic.6.



Pic. 7

Take the previously assembled construction and connect it to the upper ladder depicted on Pic. 4, using the screws (a) and a hex key (c). See Pic. 7.

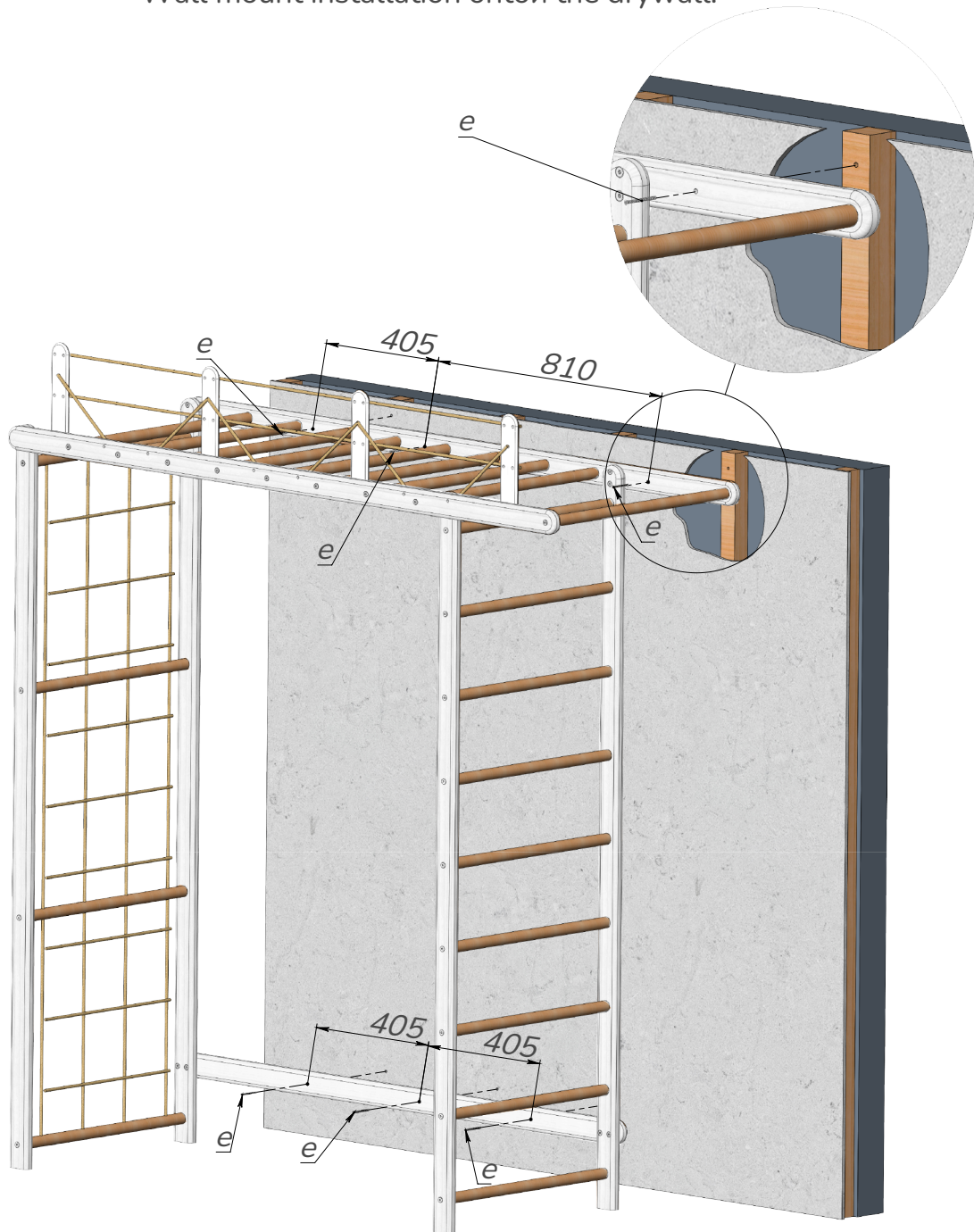
Wall mount installation onto the brick wall or the concrete wall:



Pic. 8

Take the ready to install construction and wall mount it using the dowels (d) and the self tapping screws (e). See Pic. 8.

Wall mount installation onto the drywall:



Pic. 9

If your option is a drywall, then the mount process is to be done only to wooden plank in the wall.

Take the ready to install construction and connect it to the wooden plank of your wall with the screws (e). See Pic. 9.



To be used for its intended purpose only and under the direct supervision of an adult!
All the responsibility for children's injuries received during games on the furniture lies on adults watching after them.

Always be vigilant during children's games!