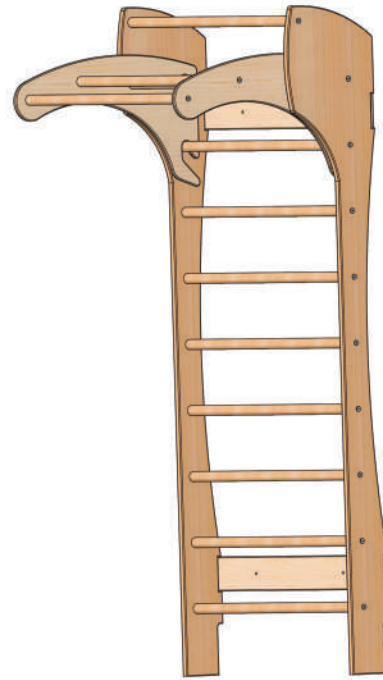


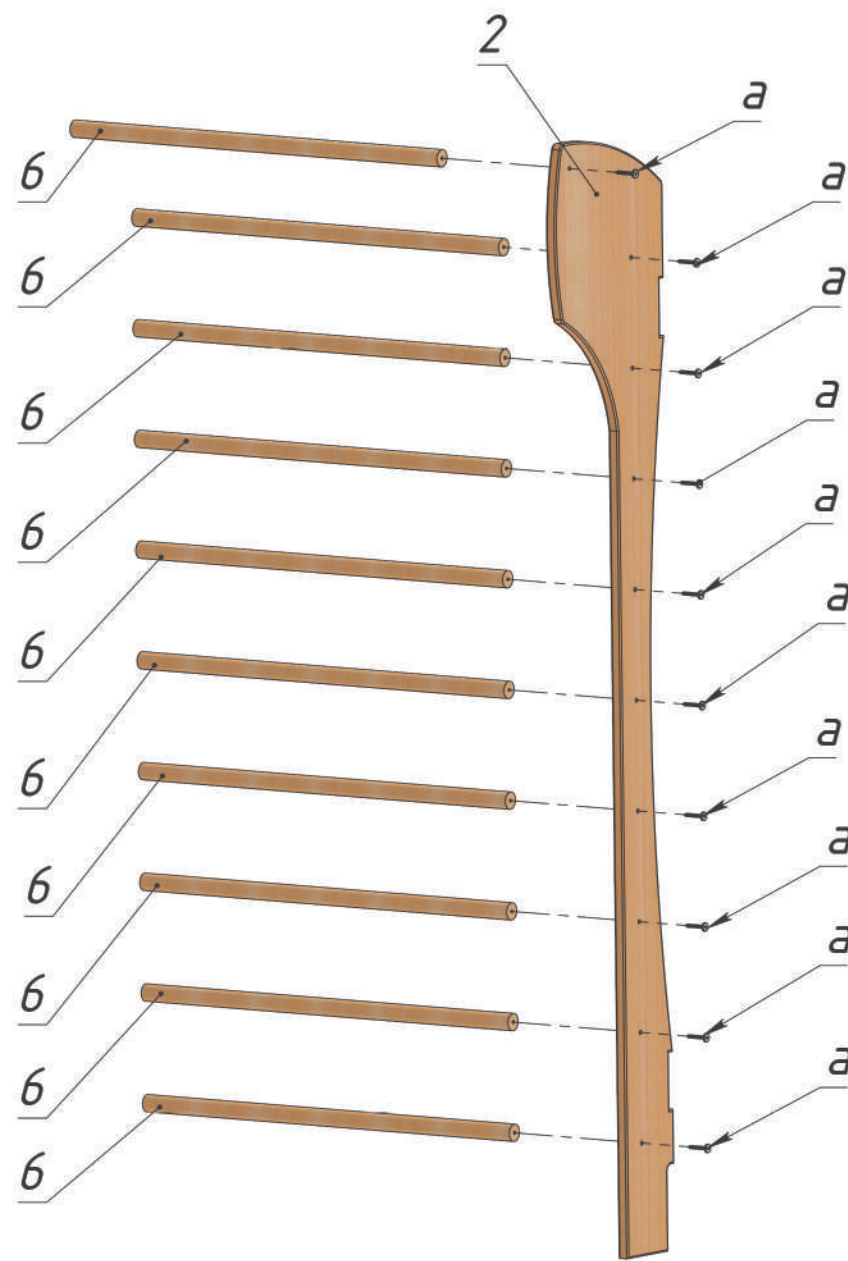


Solid swedish ladder



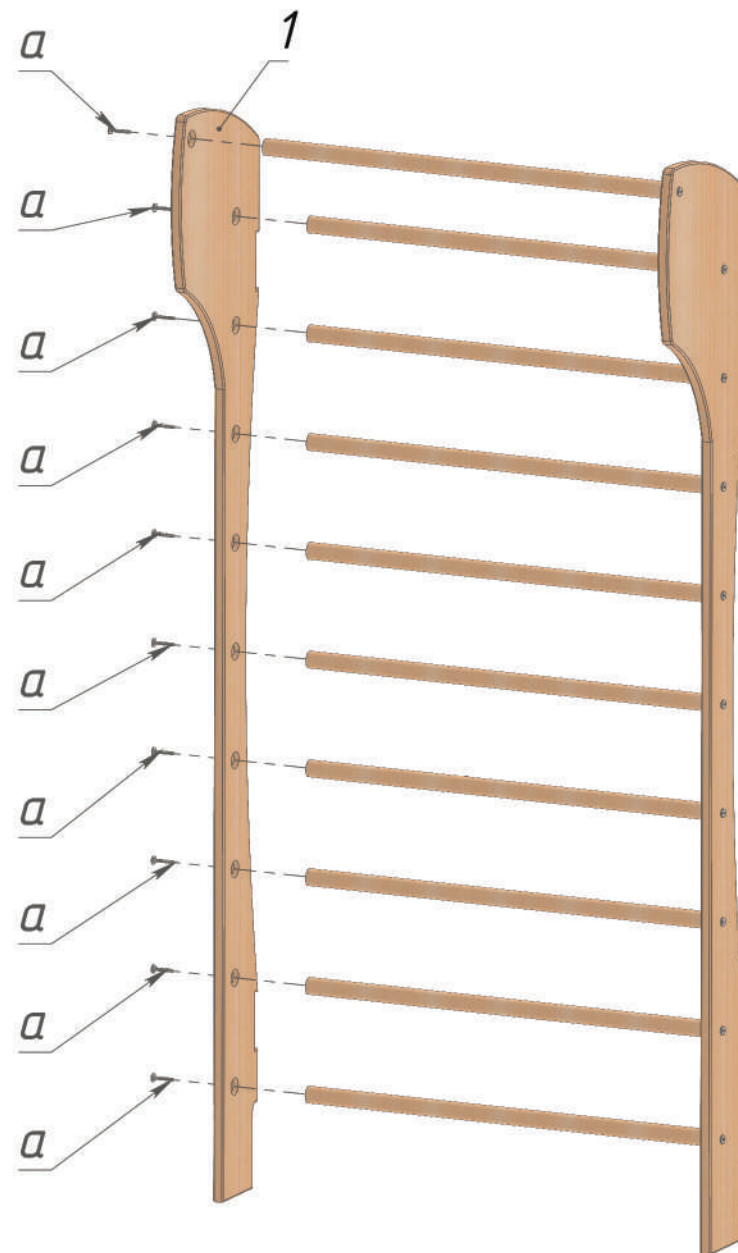
ASSEMBLY DETAILS

<p>1 - Left sidewall</p> <p>1 pc.</p>	<p>2 - Right sidewall</p> <p>1 pc.</p>	<p>3 - Lintel</p> <p>2 pcs.</p>	<p>4 - Left sidewall of the pull-up bar</p> <p>1 pc.</p>
<p>5 - Right sidewall of the pull-up bar</p> <p>1 pc.</p>	<p>6 - Long nog</p> <p>10 pcs.</p>	<p>7 - Short nog</p> <p>3 pcs.</p>	<p>a - flat head screw</p> <p>26 pcs.</p>
<p>b - 4 mm hex key</p> <p>1 pc.</p>	<p>c - confirmat screw 7x50</p> <p>8 pcs.</p>	<p>d - dowel</p> <p>8 pcs.</p>	<p>e - self-tapping screw 6x100</p> <p>4 pcs.</p>



Pic. 1

Take the Right sidewall (2) and using screws a and hex key b, connect the long nogs (6) to it.
See Pic. 1

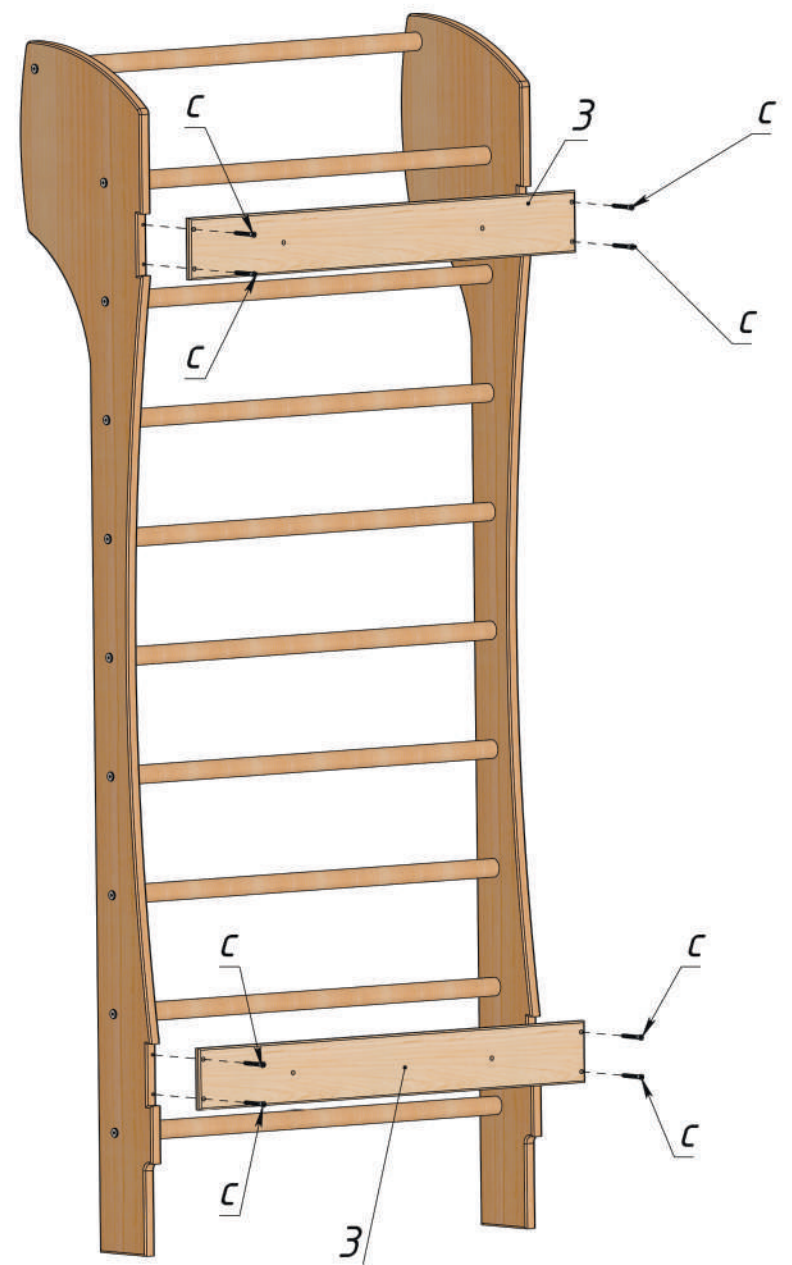


Pic. 1

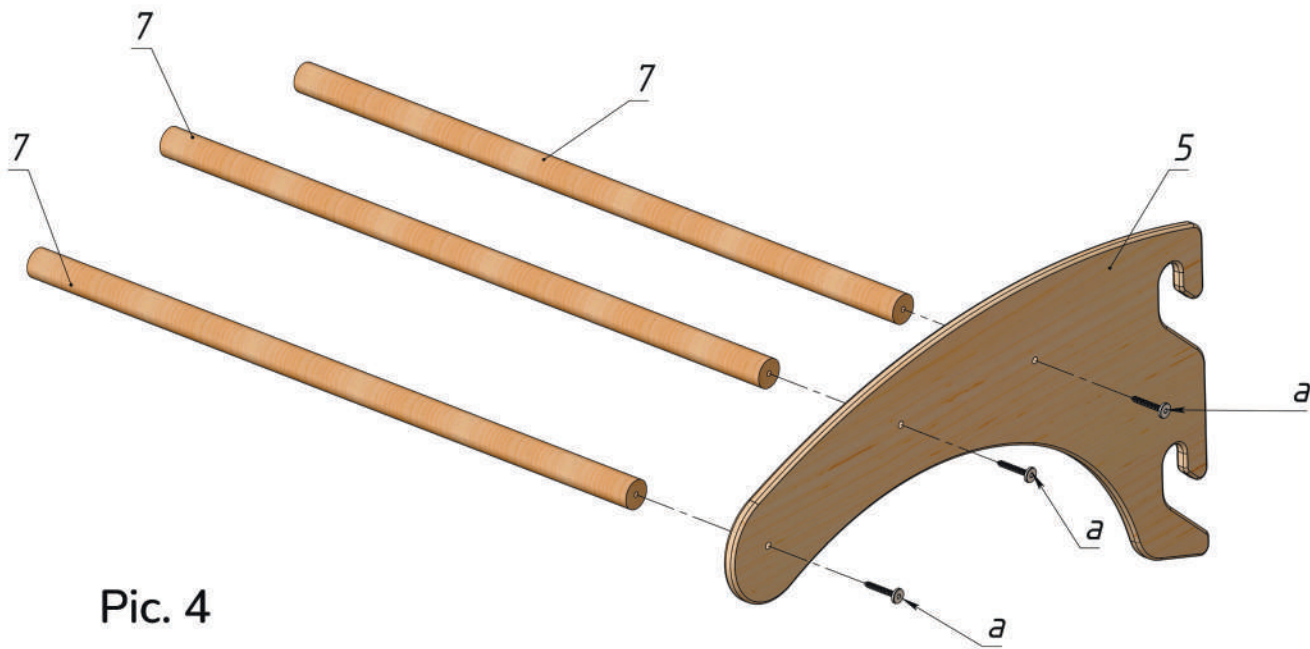
Take the Left sidewall (1) and attach it to the previously assembled construction with screws a.
See Pic. 2



Attach the lintels (3) to the construction using the confirmat screws (c) and hex key b. See Pic. 3



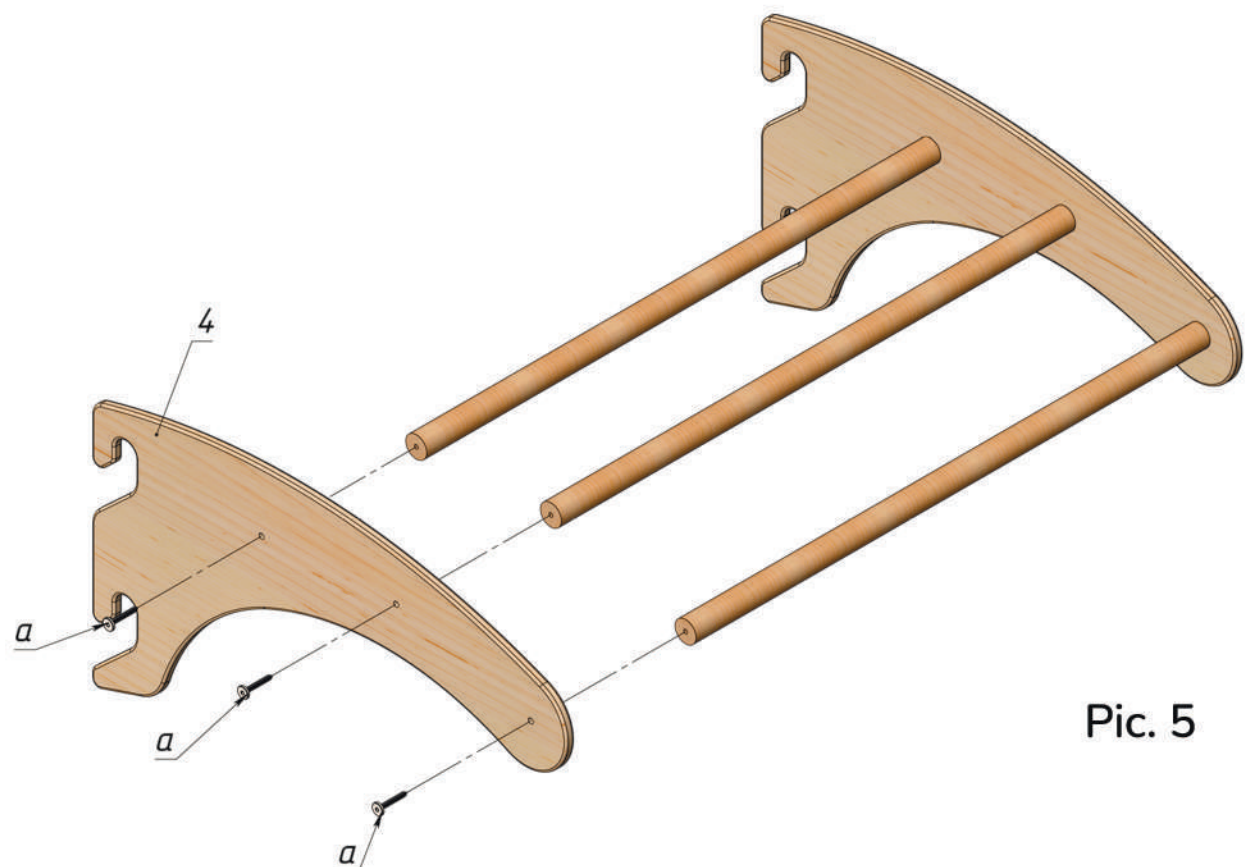
Pic. 3



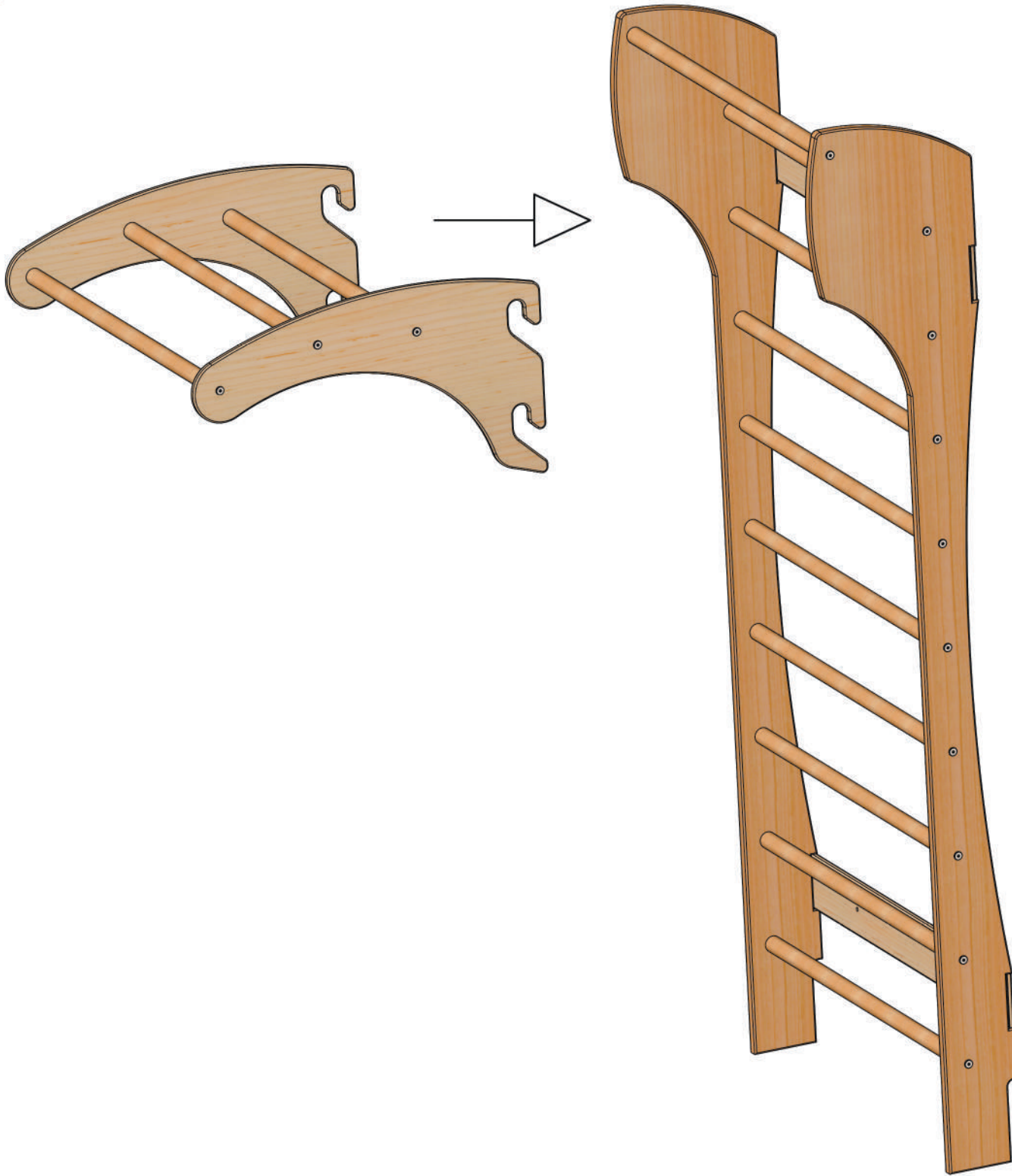
Take the right sidewall of the pull-up bar (5) and using the screws a and a hex key b, attach the short nogs (7) to it. See Pic. 4

Pic. 4

Take the left sidewall of the pull-up bar (4) and using the screws a and a hex key b, connect it to the previously assembled construction. See Pic. 5



Pic. 5



Pic. 6

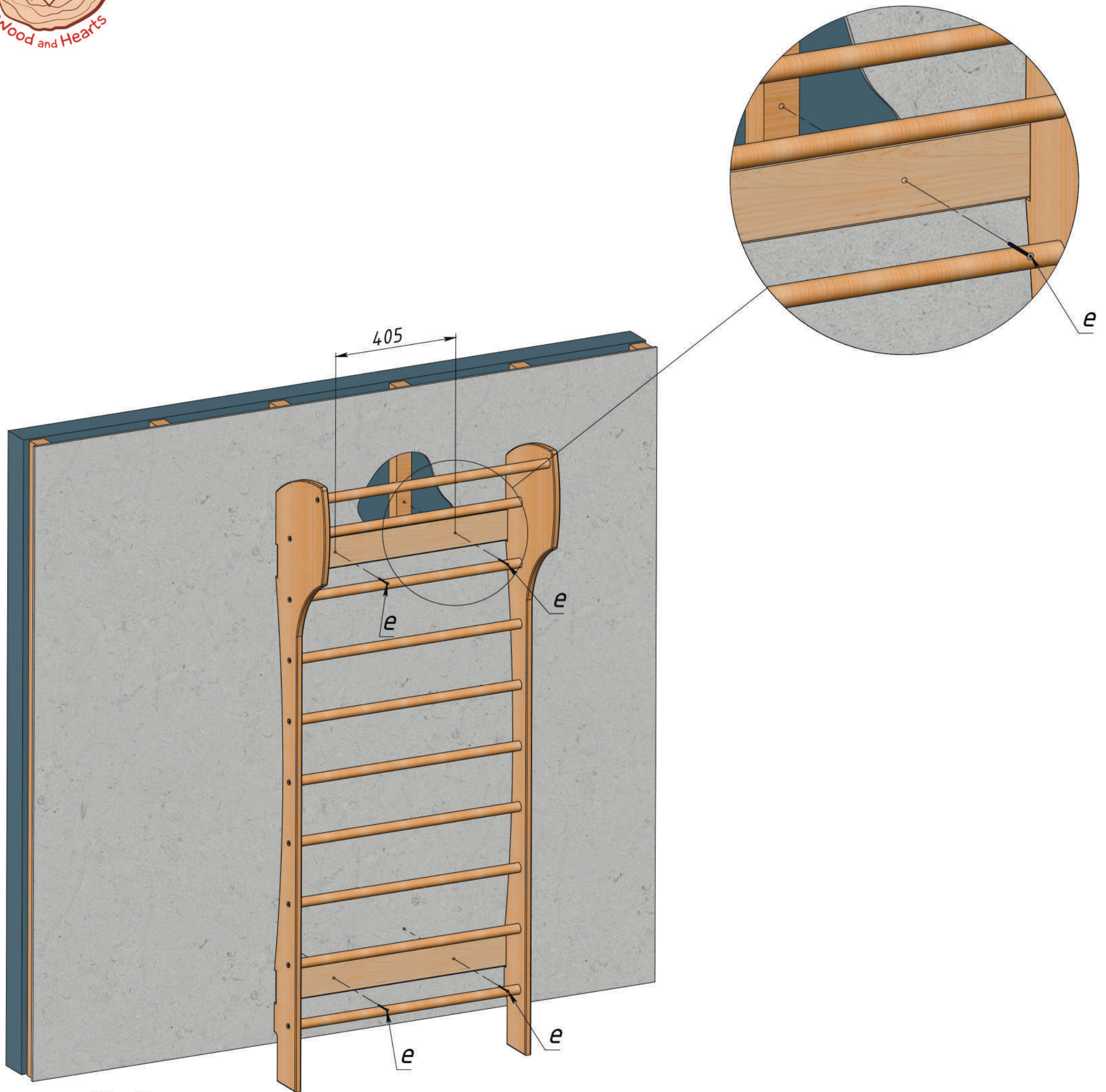
Install the pull-up bar on the swedish ladder. See Pic. 6

To be used under direct supervision of an adult only.

Always be vigilant during children's games.

All the responsibility for children's injuries received during games on the furniture lies on adults watching after them.

Drywall wall



Pic. 7

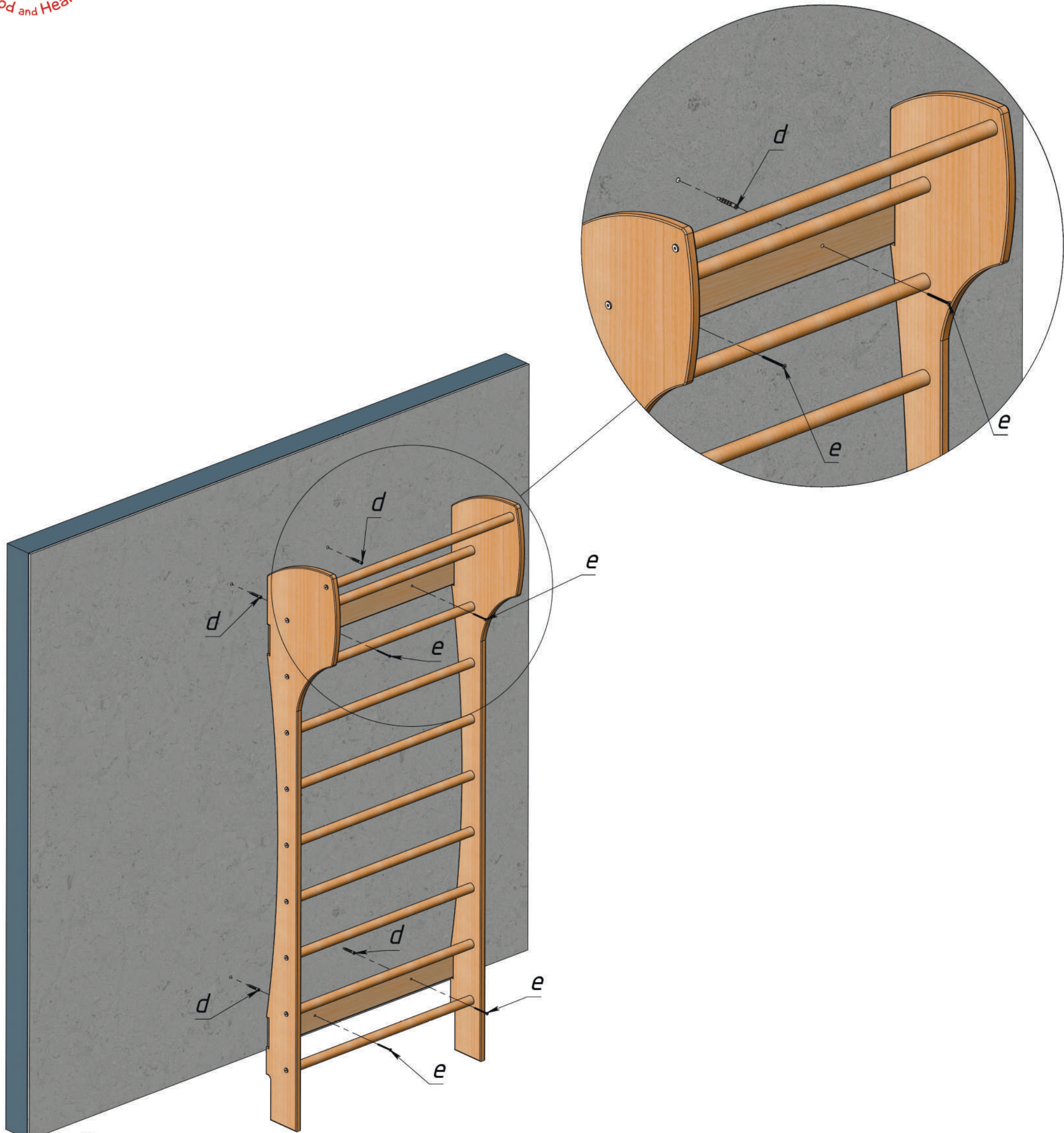
If you have a drywall wall, the Swedish Ladder should only be attached to a wooden frame

Fasten the assembled Swedish Ladder to the wooden frame using self-tapping screw (e).

See Pic. 7



Concrete or brick wall



Pic. 8

Fasten the assembled Swedish Ladder to the wooden frame using the dowel (d) and self-tapping screw e. See Pic. 8