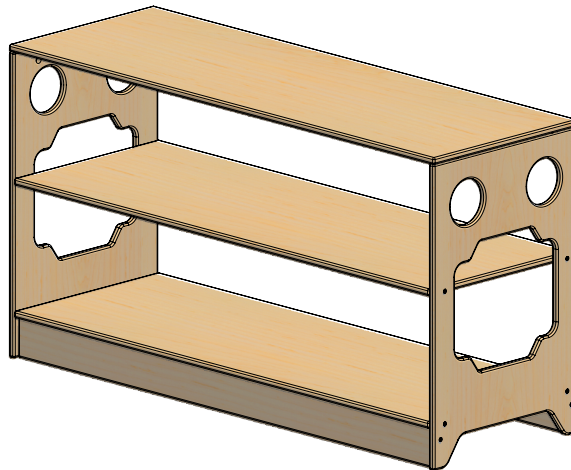
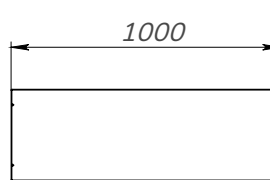
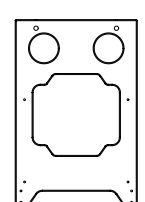
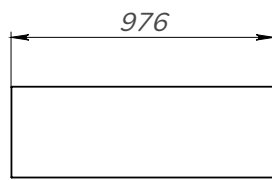

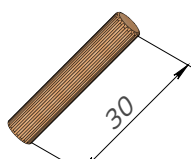

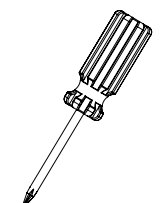

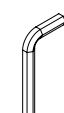
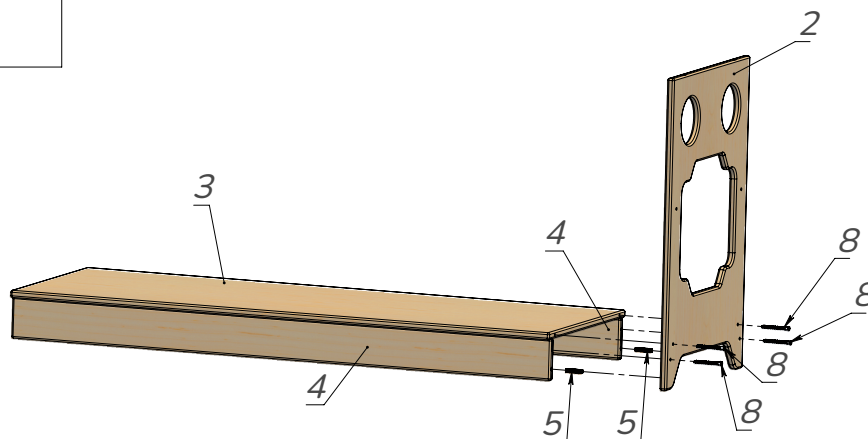


# Low shelf "In Order"



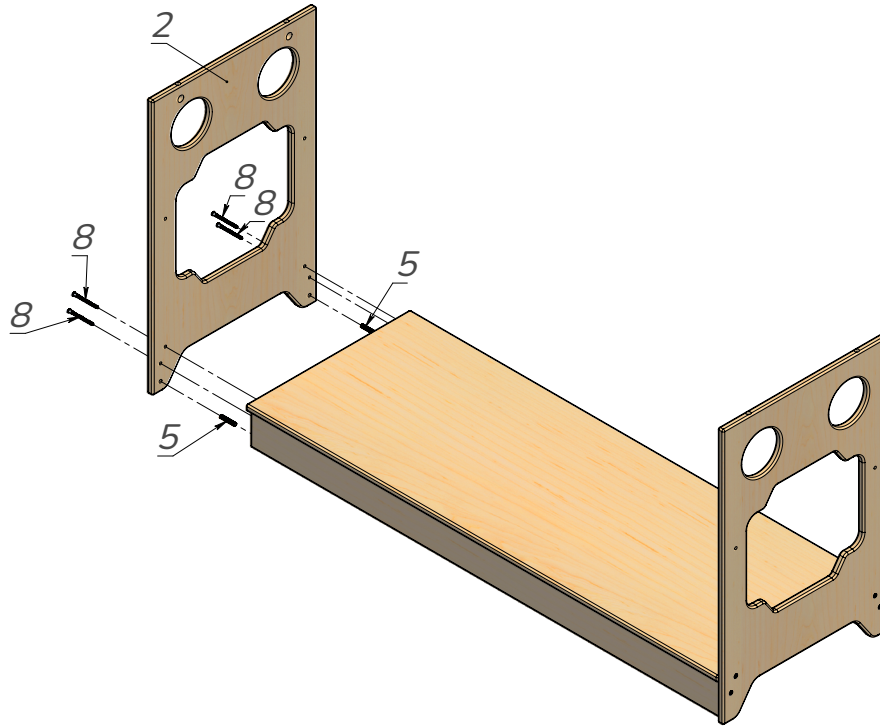
## ASSEMBLY DETAILS

|   |   |   |  |
|---|---|---|--|
| <p>1 - Upper cover</p>  <p>1000</p> <p>1 pc.</p>  | <p>2 - Sidewall</p>  <p>2 pcs.</p>            | <p>3 - Shelf</p>  <p>976</p> <p>2 pcs.</p> | <p>4 - Underframe</p>  <p>2 pcs.</p>             |
| <p>5 - Wooden dowel</p>  <p>30</p> <p>4 pcs.</p> | <p>6 - Set of mini-fixers</p>  <p>4 pcs.</p> | <p>7 - Screwdriver</p>  <p>1 pc.</p>      | <p>8 - Confirmat screw 5x40</p>  <p>12 pcs.</p> |
| <p>9 - 3 mm hex key</p>  <p>1 pc.</p>            | <p>* eccentric clamps are already installed into the details</p>  |   |  |



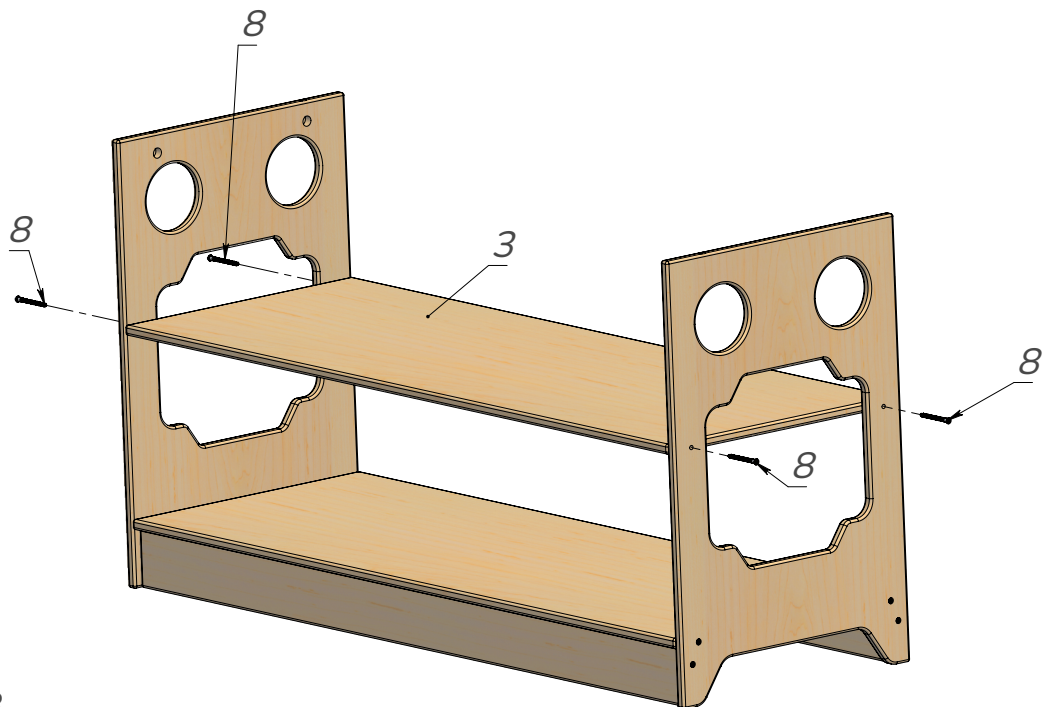
Pic. 1

Take both underframes (4) and install the wooden dowels (5). Screw the underframes (4) and shelves (3) to the sidewall (2) with the help of confirmat screws (8) and hex key (9). See Pic. 1.



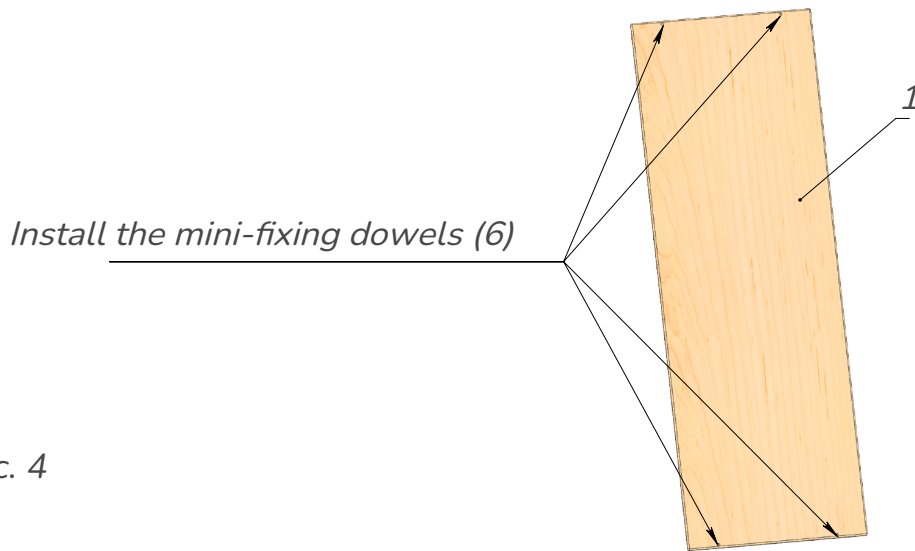
Pic. 2

Attach another sidewall (2) to the previously assembled construction in a similar way. See Pic. 2.



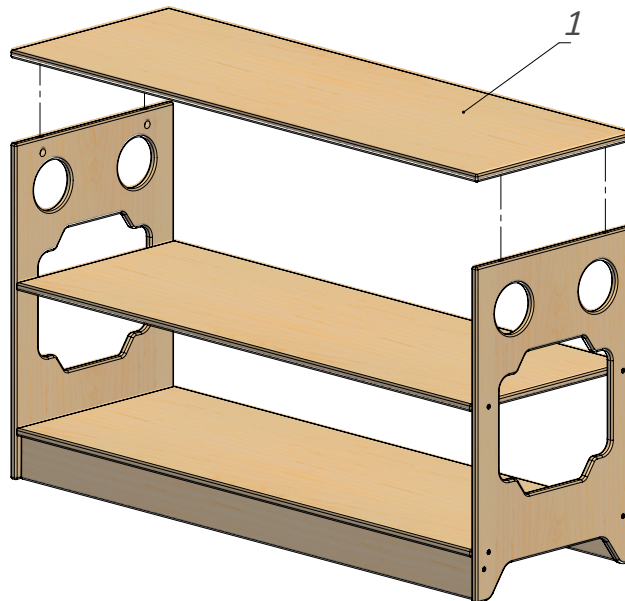
Pic. 3

Install the shelf (3) and fix it from both sides with the confirmat screws (8). See Pic. 3.



Pic. 4

Take the upper cover (1) and using the screwdriver (7) install the mini-fixing dowels (6). See Pic.4.



Pic. 5

Install the upper cover (1) onto the assembled construction and close the eccentric clamps (6) located on the sidewalls (2) clockwise, rotating them by 180 degrees. See Pic.5.



To be used for its intended purpose only and under the direct supervision of an adult!  
All the responsibility for children's injuries received during games on the furniture lies on adults watching after them.

Always be vigilant during children's games!